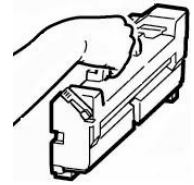


# Fuser Installation Instructions

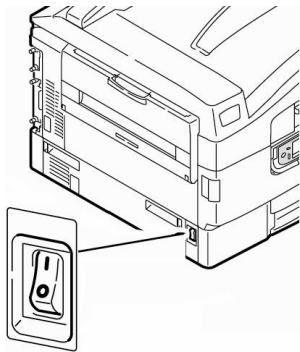


**Caution!** *The fuser is very HOT after the printer has been printing. Let the printer cool down at least 10 minutes before attempting to replace it.*

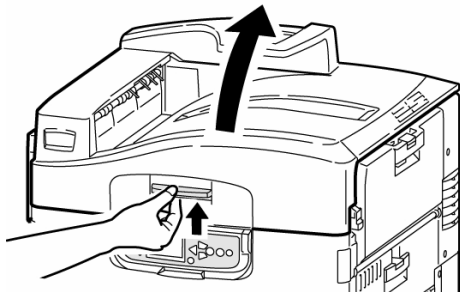
To replace the fuser:

1. Turn off the printer.

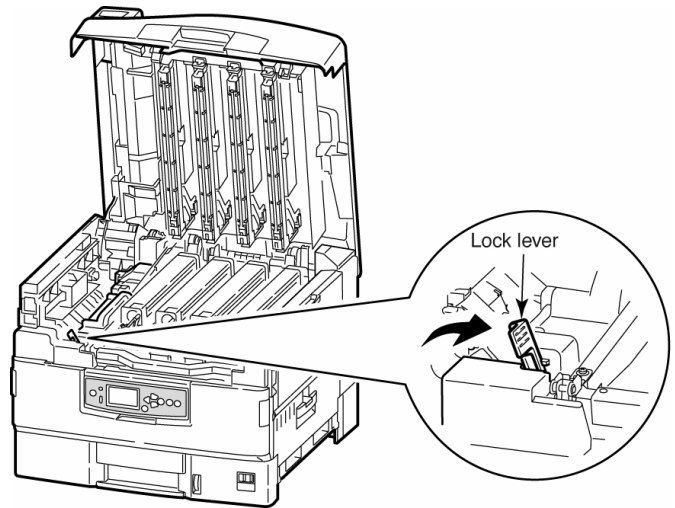
**Note:** If the hard disk drive is installed in your printer, press the SHUTDOWN/RESTART button for several seconds before turning the printer off.



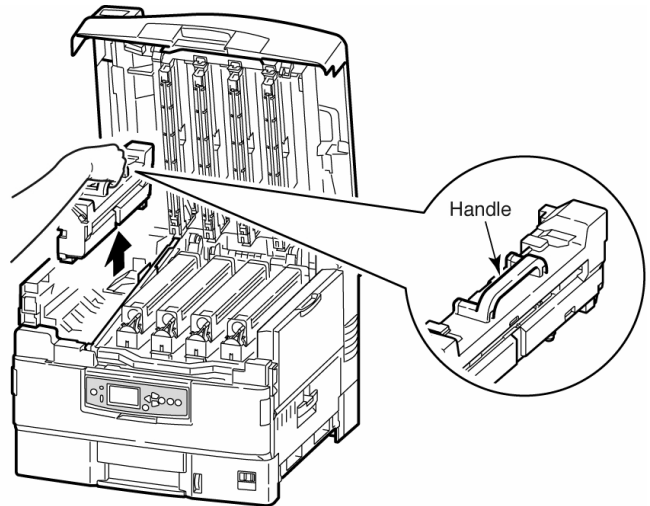
2. Open the top cover.



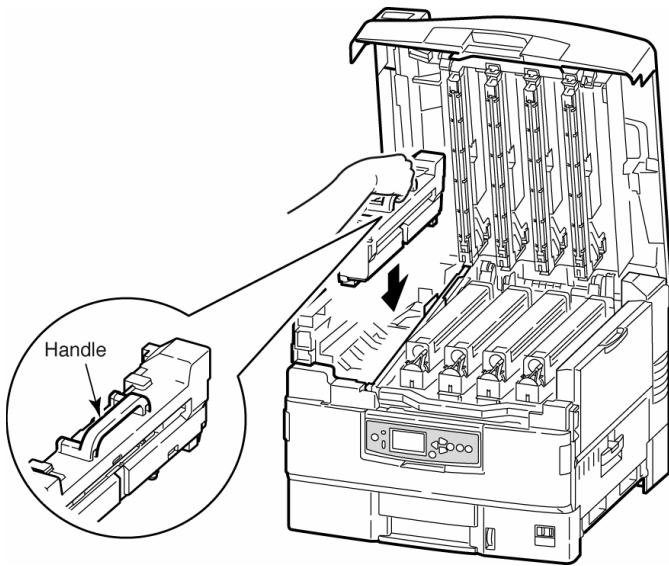
3. Pull the fuser lock lever as shown to unlock the fuser.



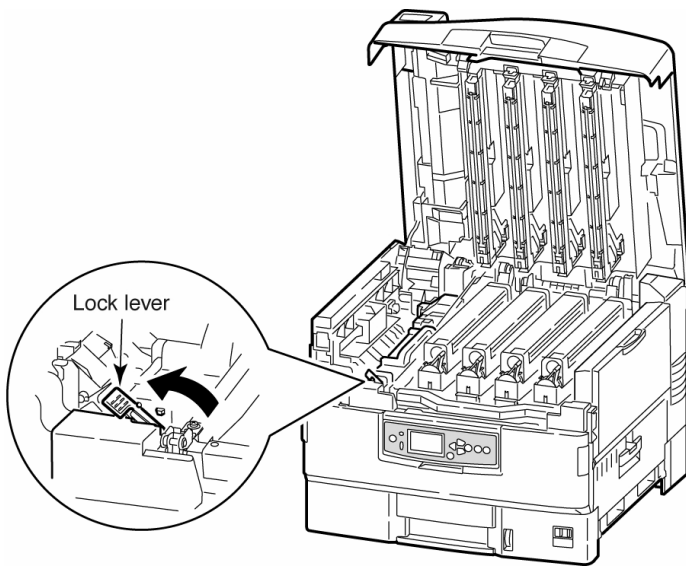
4. Grasp the fuser handle and lift the fuser out of the printer. Dispose of it in accordance with local regulations.



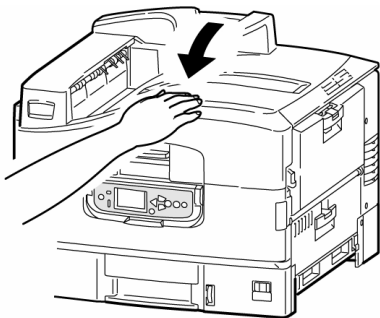
5. Unpack the new fuser and lower it into the printer.



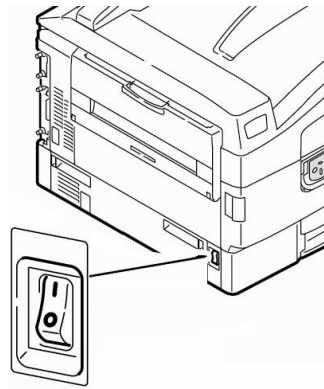
6. Push the lock lever as shown to lock the fuser in place.



7. Close the top cover.



8. Turn the printer on.



## Free Manuals Download Website

<http://myh66.com>

<http://usermanuals.us>

<http://www.somanuals.com>

<http://www.4manuals.cc>

<http://www.manual-lib.com>

<http://www.404manual.com>

<http://www.luxmanual.com>

<http://aubethermostatmanual.com>

Golf course search by state

<http://golfingnear.com>

Email search by domain

<http://emailbydomain.com>

Auto manuals search

<http://auto.somanuals.com>

TV manuals search

<http://tv.somanuals.com>