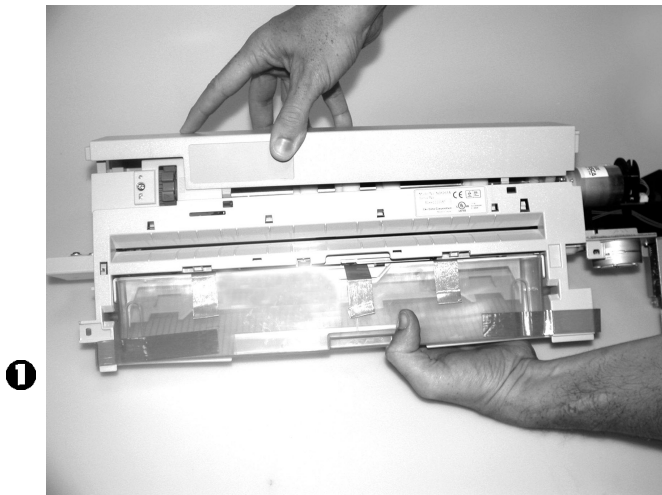


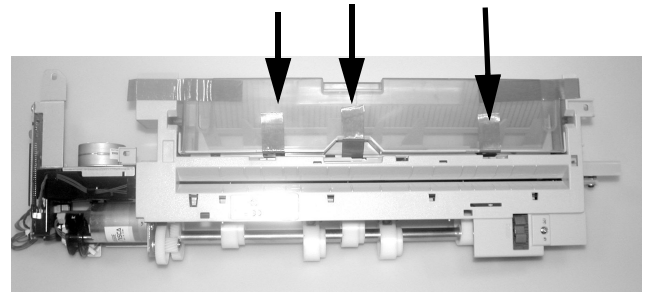
# Hole Punch Kit (P/N 42872902)

## Technician's Installation Guide

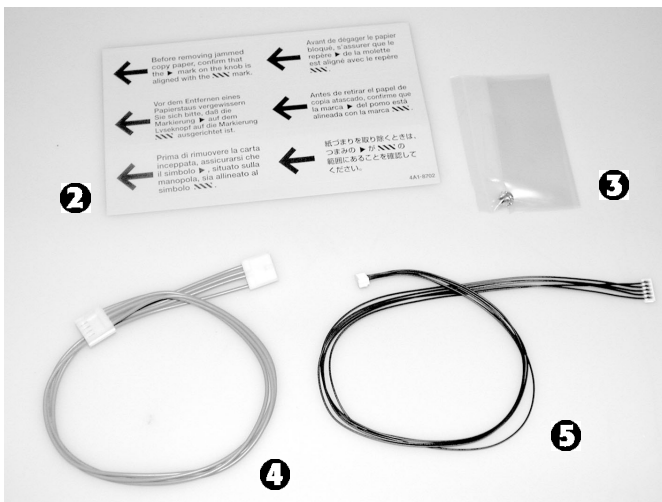
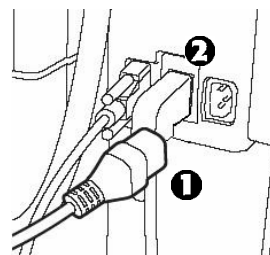
1. Unpack the Hole Punch Kit and check the contents:



2. Remove the packing tape, blue spacers and any other packing materials from the Hole Punch Unit.

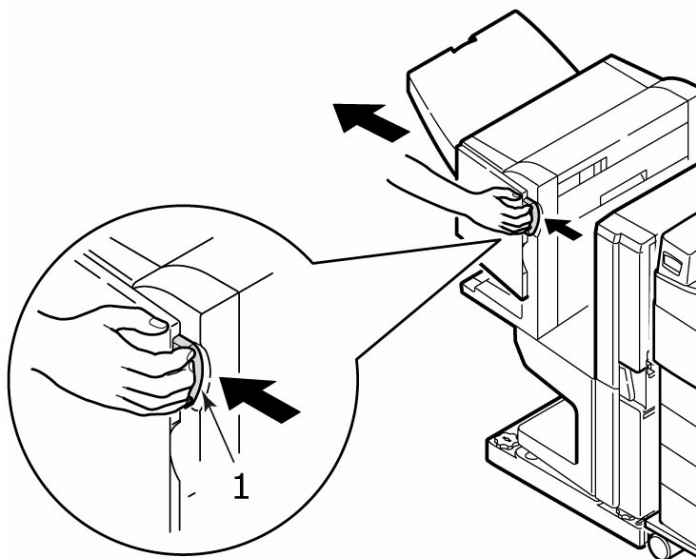


3. Turn off the printer.
4. On the back of the finisher/inverter unit, unplug the inverter power cord (1) and the connecting cord (2) to the finisher.

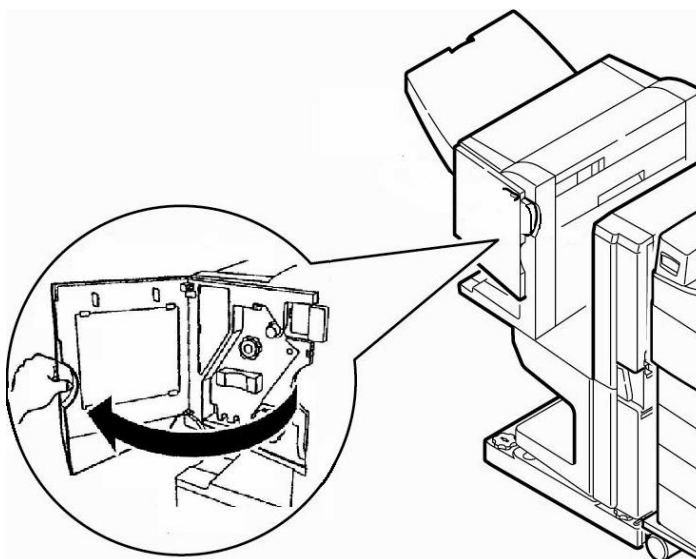


- [1] Hole Punch Unit
- [2] Safety Labels
- [3] Screw (for securing hole punch unit to finisher: see step 14)
- [4] Orange Cable (4 leads)
- [5] Purple Cable (5 leads)

5. Push in on the finisher release lever and slide the finisher away from the inverter.



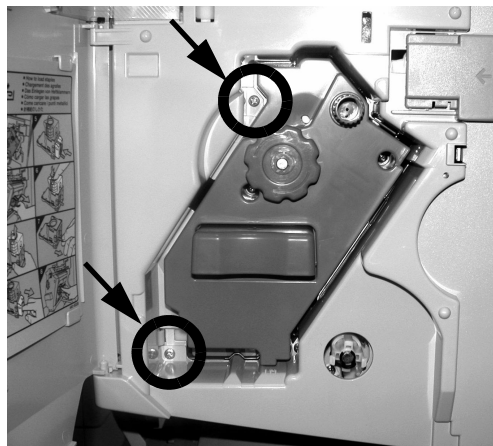
6. Open the finisher front cover.



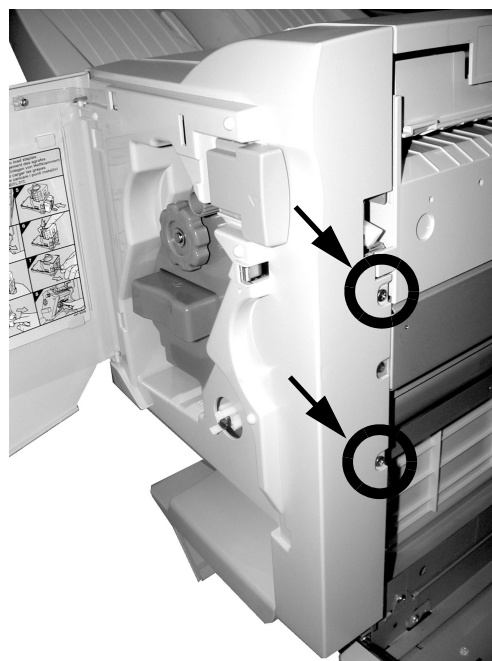
7. Squeeze the white locking tabs on the blue knob and pull it out of the finisher.



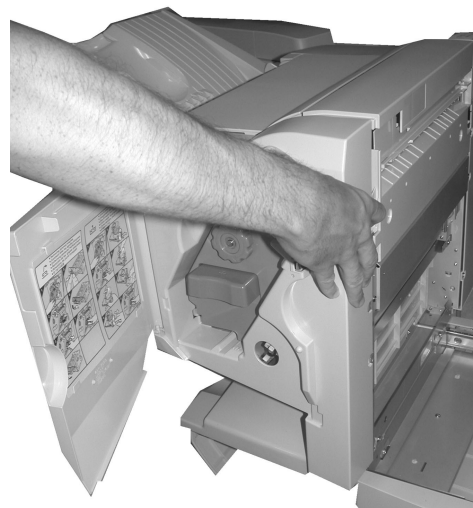
8. Remove the internal cover:  
a. Remove the two screws behind the cover.



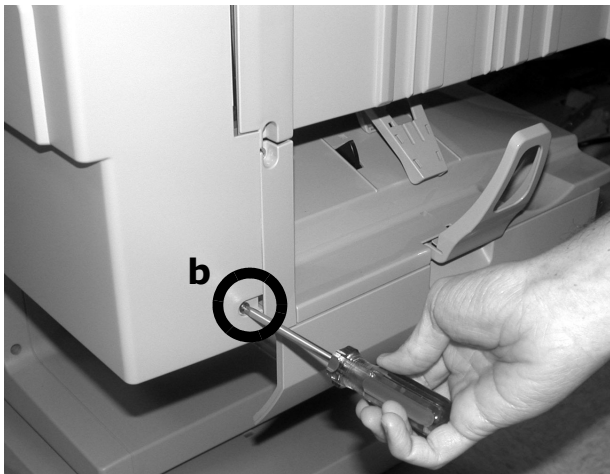
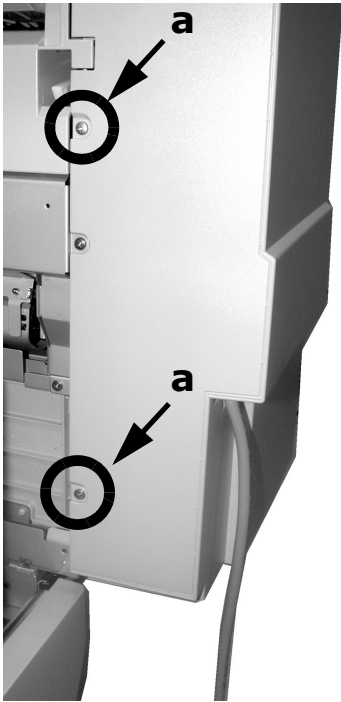
b. Remove the two screws holding the side of the cover in place.



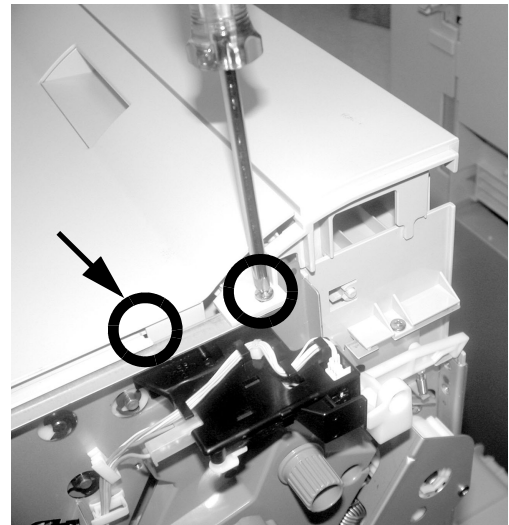
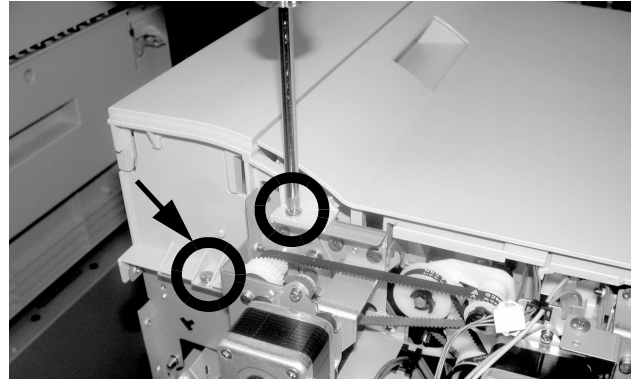
c. Pull off the internal cover.



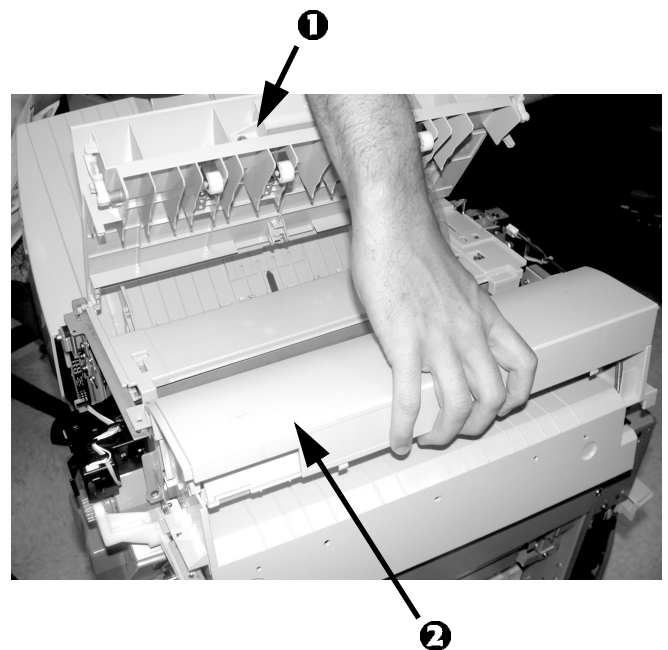
9. Remove the screws securing the rear cover (two on the left side [a] and one on the right side [b]), then remove the rear cover.



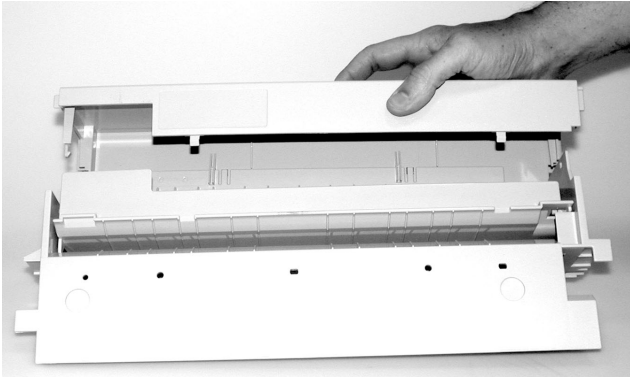
10. Remove the two screws at either end of the hole punch blank.



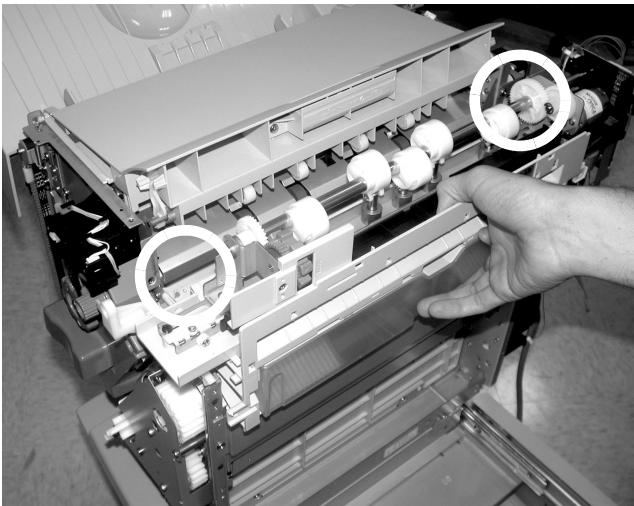
11. Swing up the finisher top cover (1) and lift out the punch blank unit (2).



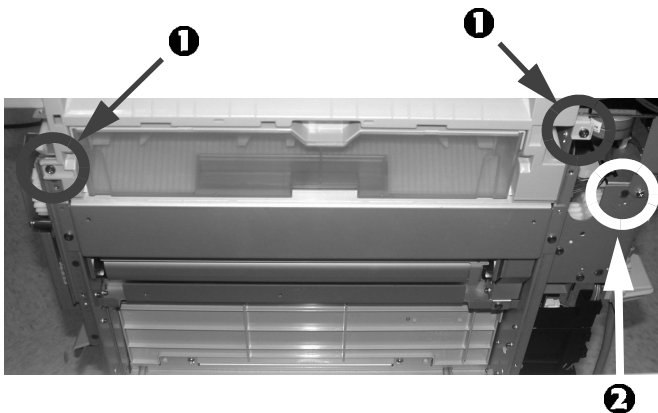
12. Remove the top of the blank unit: you need this to install the hole punch unit. Store the bottom of the blank in case you ever remove the hole punch from the finisher.



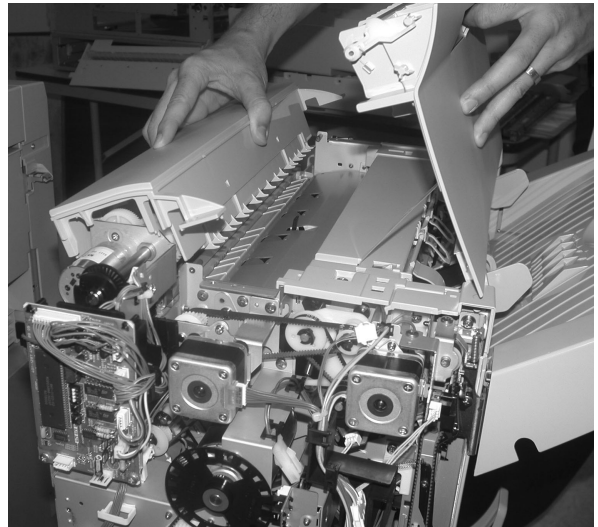
13. Align the pins at either end of the hole punch unit with the holes in the finisher housing, then slide the hole punch unit into place.



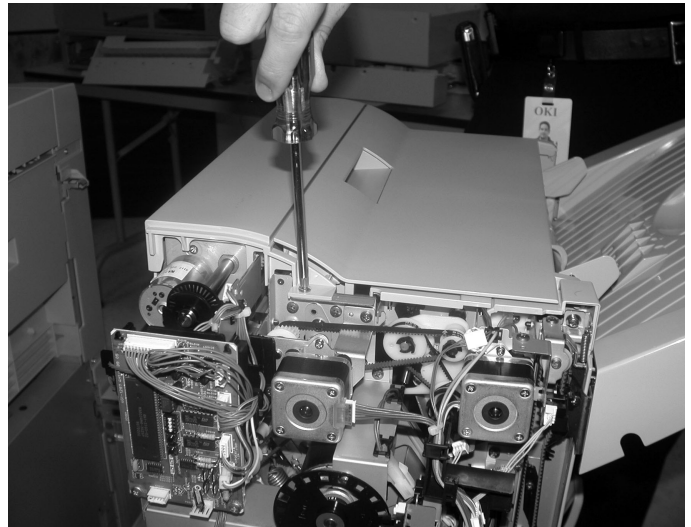
14. Secure the hole punch unit in place: use two of the screws (1) you removed earlier, plus the screw (2) supplied with the hole punch accessory.



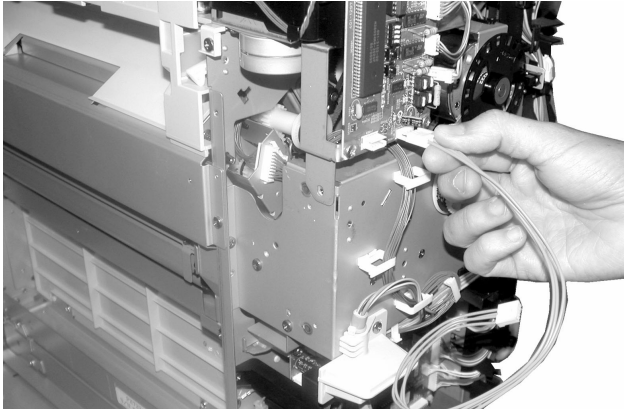
15. Open the finisher top cover and snap the top of the blank into place on the hole punch unit.



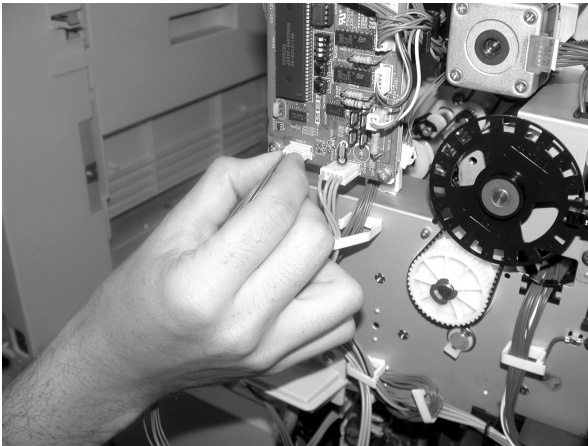
16. Close the top cover and secure the hole punch unit in place with two screws at either end.



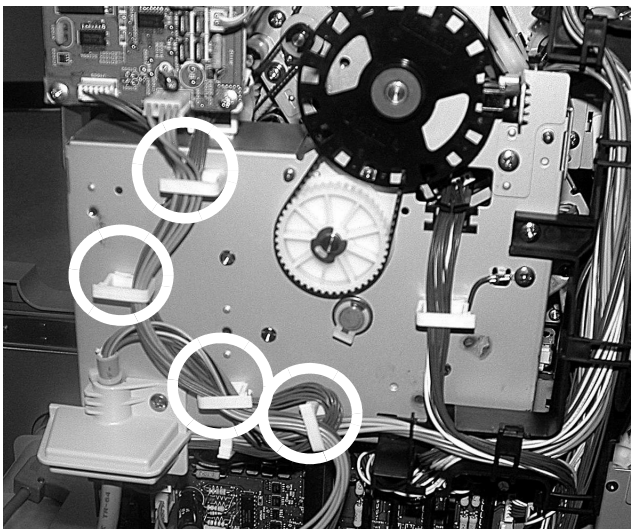
17. Insert the orange cable (4 leads) into the connector on the hole punch unit board.



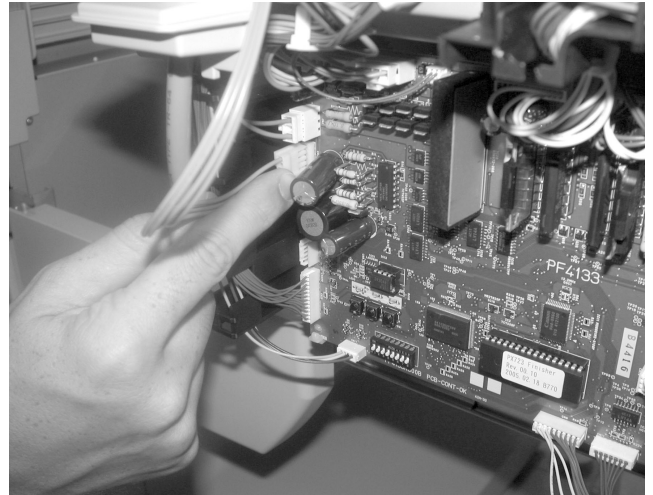
18. Insert the purple cable (5 leads) into the connector on the hole punch unit board.



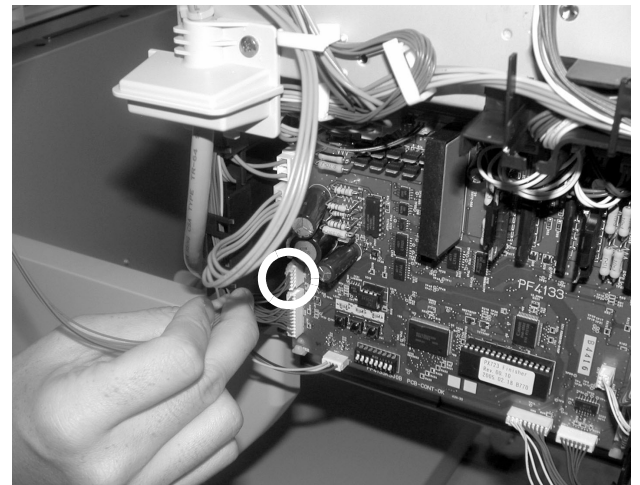
19. Snap open the four cable harnesses, then thread the two cables through the harnesses and snap each one shut.



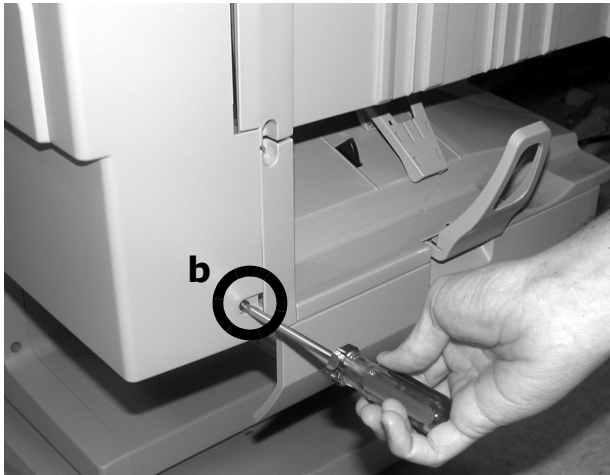
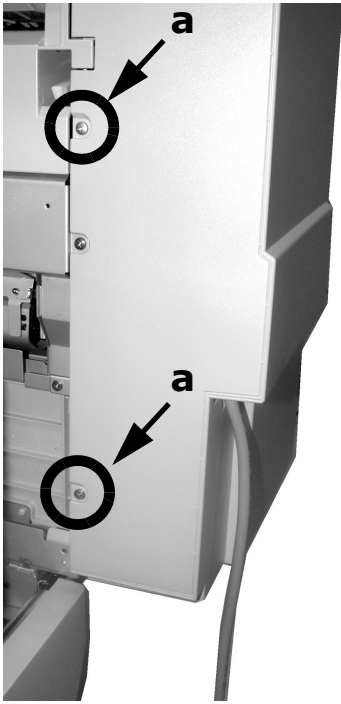
20. Plug the orange cable into the connector on the main board.



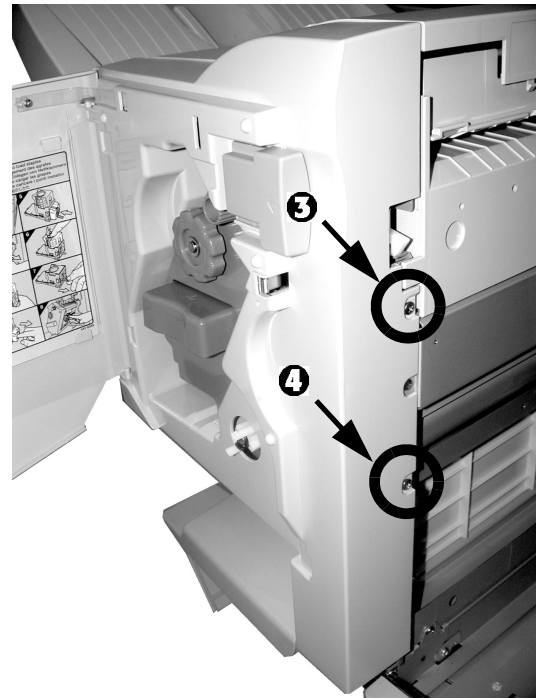
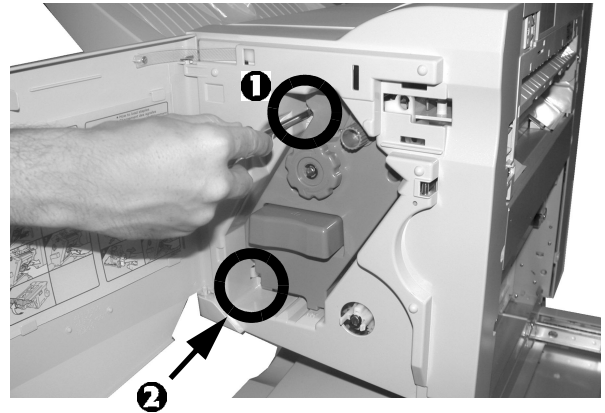
21. Plug the purple cable into the connector on the main board.



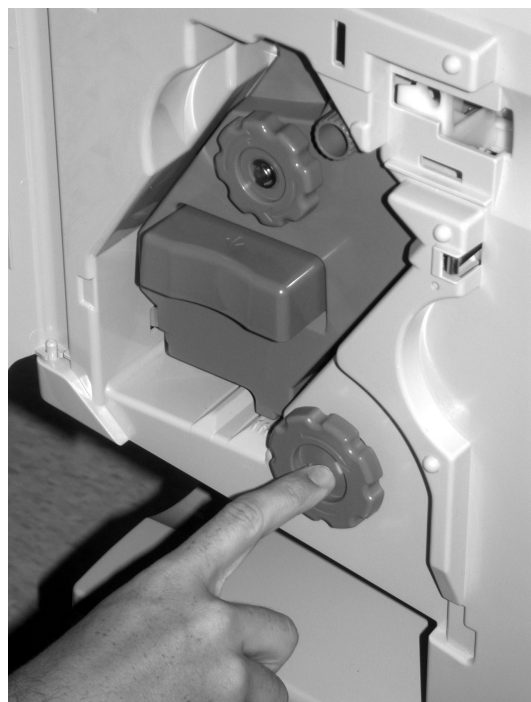
22. Reinstall the back cover and secure it in place: two screws on the left side (**a**) and one screw on the right side (**b**).



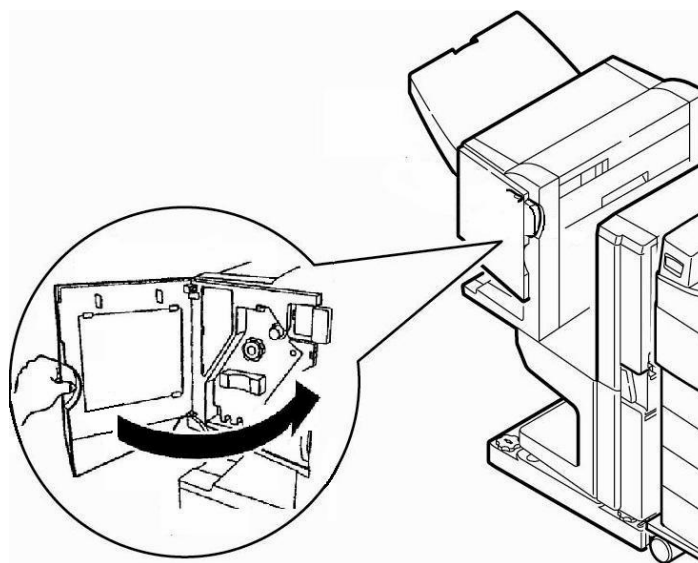
23. Reinstall the internal front cover and secure it with four screws.



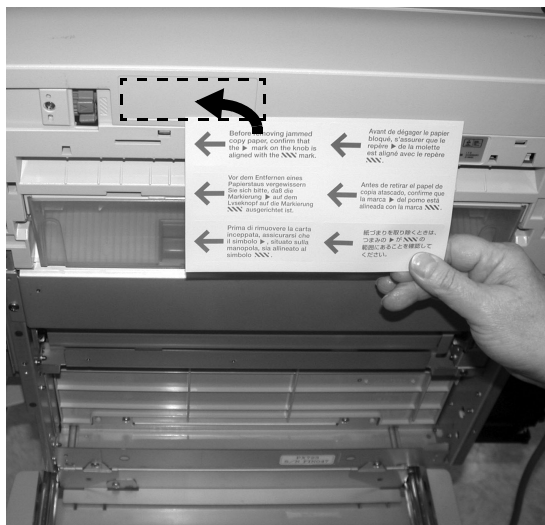
24. Push the blue knob back into place.



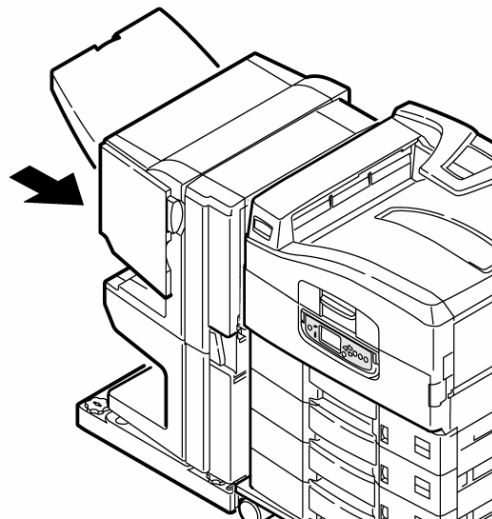
25. Close the finisher front cover.



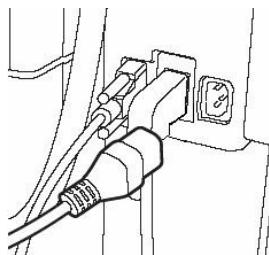
26. Apply the appropriate language safety label:



27. Slide the finisher back into the inverter. *Make sure it locks in place.*



28. Reattach the cable between the finisher and inverter and the finisher power cable.



29. Turn on the printer.

30. Test the operation of the hole punch unit:
  - a. With a suitable document open in a software application, select [File] → [Print].
  - b. Select the appropriate Oki printer, then click [Properties].
  - c. Click the [Job Options] tab.
  - d. Under [Finisher], [Output Bin], select [Finisher(Face-up)] or [Finisher(Face-down)] from the drop-down list.
  - e. Under [Finisher], [Staple], select [Punch(Long-Edge)] or [Punch(Short-Edge)], then click [OK].
  - f. Print the document.

- b. Remove the punch collection box from the finisher.

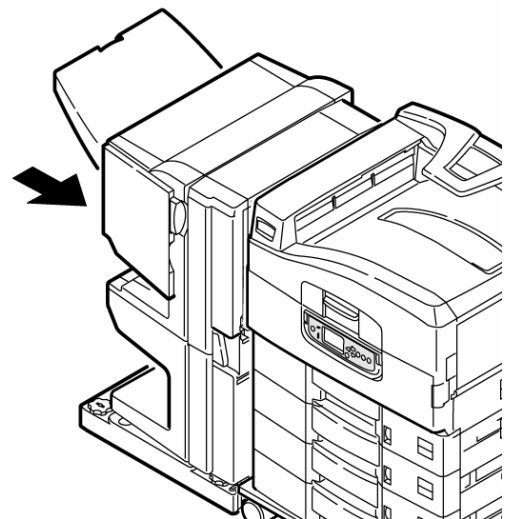
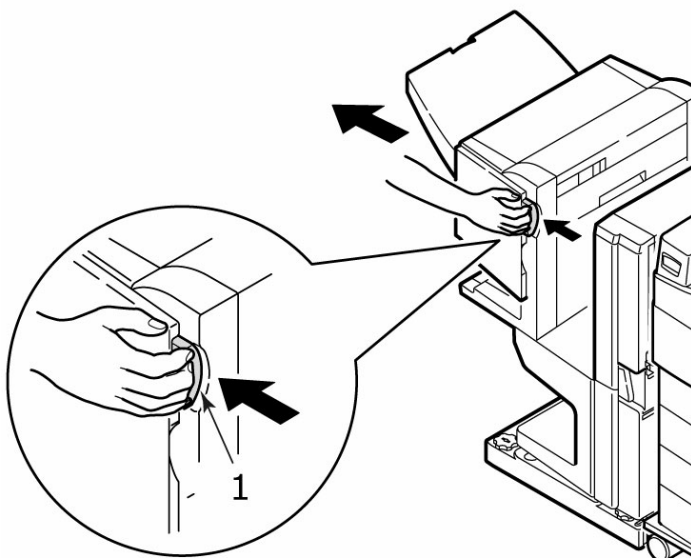


31. Demonstrate how to empty the punch collection box:
  - a. Push in on the finisher release lever and slide the finisher away from the inverter.

- c. Empty it, then put it back into the finisher.



- d. Slide the finisher back into the inverter.  
*Make sure it locks in place.*





## Free Manuals Download Website

<http://myh66.com>

<http://usermanuals.us>

<http://www.somanuals.com>

<http://www.4manuals.cc>

<http://www.manual-lib.com>

<http://www.404manual.com>

<http://www.luxmanual.com>

<http://aubethermostatmanual.com>

Golf course search by state

<http://golfingnear.com>

Email search by domain

<http://emailbydomain.com>

Auto manuals search

<http://auto.somanuals.com>

TV manuals search

<http://tv.somanuals.com>