

C810/C830

User's Guide

Copyright Information

Copyright © 2008 by Oki Data. All Rights Reserved

Document Information

C810/C830 User's Guide

P/N 59311001, Revision 1.0

September, 2008

Disclaimer

Every effort has been made to ensure that the information in this document is complete, accurate, and up-to-date. The manufacturer assumes no responsibility for the results of errors beyond its control. The manufacturer also cannot guarantee that changes in software and equipment made by other manufacturers and referred to in this guide will not affect the applicability of the information in it. Mention of software products manufactured by other companies does not necessarily constitute endorsement by the manufacturer.

While all reasonable efforts have been made to make this document as accurate and helpful as possible, we make no warranty of any kind, expressed or implied, as to the accuracy or completeness of the information contained herein.

The most up-to-date drivers and manuals are available from:

<http://www.okiprintingsolutions.com>

Trademark Information

Oki and Oki Data are registered trademarks of Oki Electric Industry Company Ltd.

Apple, Macintosh and Mac OS are registered trademarks of Apple Computers Inc.

Hewlett-Packard, HP, and LaserJet are registered trademarks of Hewlett-Packard Company.

Microsoft, MS-DOS and Windows are either registered trademarks or trademarks of Microsoft Corporation in the United States and/or other countries.

Other product names and brand names are registered trademarks or trademarks of their proprietors.

Please note that Microsoft Windows XP was used to produce all screenshots in this manual. These screenshots may vary if you are using any other operating system, but the principle is the same.

EMERGENCY FIRST AID

Take care with toner powder:

If swallowed, give small amounts of cold water and seek medical attention. DO NOT attempt to induce vomiting.

If inhaled, move the person to an open area for fresh air. Seek medical attention.

If it gets into the eyes, flush with large amounts of water for at least 15 minutes keeping eyelids open. Seek medical attention.

Spillages should be treated with cold water and soap to help reduce risk of staining skin or clothing.

MANUFACTURER

Oki Data Corporation,
4-11-22 Shibaura, Minato-ku,
Tokyo 108-8551,
Japan

CONTENTS

Emergency first aid	3
Manufacturer	3
Notes, cautions and warnings	6
Introduction	7
Printer overview	8
Front view	8
Rear view	9
Changing the display language	9
Paper recommendations	10
Cassette trays	10
Multi purpose tray	11
Face down stacker	11
Face up stacker	11
Duplex unit	11
Loading paper	12
Cassette trays	12
Multi purpose tray	15
Security (C830 only)	16
Secure printing	16
Sending the document	16
Printing the document	17
Deleting a secure print document	17
Store to hard disk	18
Sending the document	18
Printing the document	18
Deleting a stored document	19
Encrypted secure printing	19
Sending the document	19
Printing the document	20
Menu functions - C810	21
Operator Panel:	21
How to change the settings - User	21
How to change the settings - Administrator	22
Menus	23
Information menu	23
Shutdown Menu	23
Print menu	23
Media menu	24
color menu	26
System configuration menu	26
Network menu	27
Maintenance menu	28
Usage menu	28
Administrator (Boot) Menu	29
Print Statistics Menu	31
Menu functions - C830	33
Operator Panel:	33
How to change the settings - User	34
How to change the settings - Administrator	34
Configuration Menu	35
Print information menu	36
Print secure Job	37
Menus	38
Shutdown menu	41
Admin Setup	42
Calibration	52
Administrator (Boot) Menu	53
Print Statistics Menu	56

Overlays and Macros (C830 - Windows only)	58
What are overlays and macros?	58
Creating PostScript overlays	58
Creating the overlay image	58
Create and download the project	59
Test printing the overlay	59
Defining overlays	59
Printing with PostScript overlays	60
Creating PCL Overlays	60
Creating the overlay image	61
Create and download macros	61
Test printing the macro	62
Defining overlays	62
Printing with PCL overlays	63
Replacing consumable items	64
C830 Consumable order details	64
C810 Consumable order details	65
Toner cartridge replacement	65
Image drum replacement	68
Transfer belt replacement	71
Fuser replacement	73
Cleaning the LED head	74
Installing upgrades	75
Duplex unit	76
Memory upgrade (C830)	77
Hard disk drive (C830)	80
Additional paper tray(s)	82
Adjusting printer drivers	83
Windows:	83
Macintosh	83
Clearing paper jams	85
Major Printer components and paper path	85
Paper sensor error codes	86
Specifications	92
Utilities	94

NOTES, CAUTIONS AND WARNINGS

NOTE

A note provides additional information to supplement the main text.

CAUTION!

A caution provides additional information which, if ignored, may result in equipment malfunction or damage.

WARNING!

A warning provides additional information which, if ignored, may result in a risk of personal injury.

For the protection of your product, and in order to ensure that you benefit from its full functionality, this model has been designed to operate only with genuine original toner cartridges. Any other toner cartridge may not operate at all, even if it is described as "compatible", and if it does work, your product's performance and print quality may be degraded.

Non-genuine original products may invalidate your warranty.

Specifications subject to change without notice. All trademarks acknowledged.

INTRODUCTION

Congratulations on buying this Oki Printing Solutions color printer. Your new printer is designed with advanced features to give you clear, vibrant color prints and crisp black and white pages at high speed on a range of print media for the office.

Your printer includes these features:

- > Compact desktop footprint;
- > ProQ2400 multi-level technology produces subtler tones and smoother graduations of color to lend photographic quality to your documents;
- > Up to 30 pages per minute in full color for fast printing of high impact color presentations and other documents;
- > Up to 32 pages per minute in black and white for fast and efficient printing of all general purpose documents not requiring color;
- > 600 x 600, 1200 x 600 dpi (dots per inch) and ProQ2400 print resolution for high quality image production showing the finest detail;
- > Single Pass color Digital LED technology for high speed processing of your printed pages;
- > Profile Assistant utility allows you to download ICC profiles to the hard disc (Hard Disc Drive required) (C830);
- > PostScript 3, PCL 5C, PCL 6 and Epson FX emulations for industry standard operation and wide compatibility with most computer software (C830);
- > Secure encrypted printing (C830) - allows you to print confidential documents on printers that are shared with other users in a network environment;
- > 10Base-T and 100Base-TX network connection lets you share this valuable resource among users on your office network;
- > Photo Enhance mode allows printing of sharp, photo-like images on ordinary office quality paper;
- > Support for Windows Vista operating system.

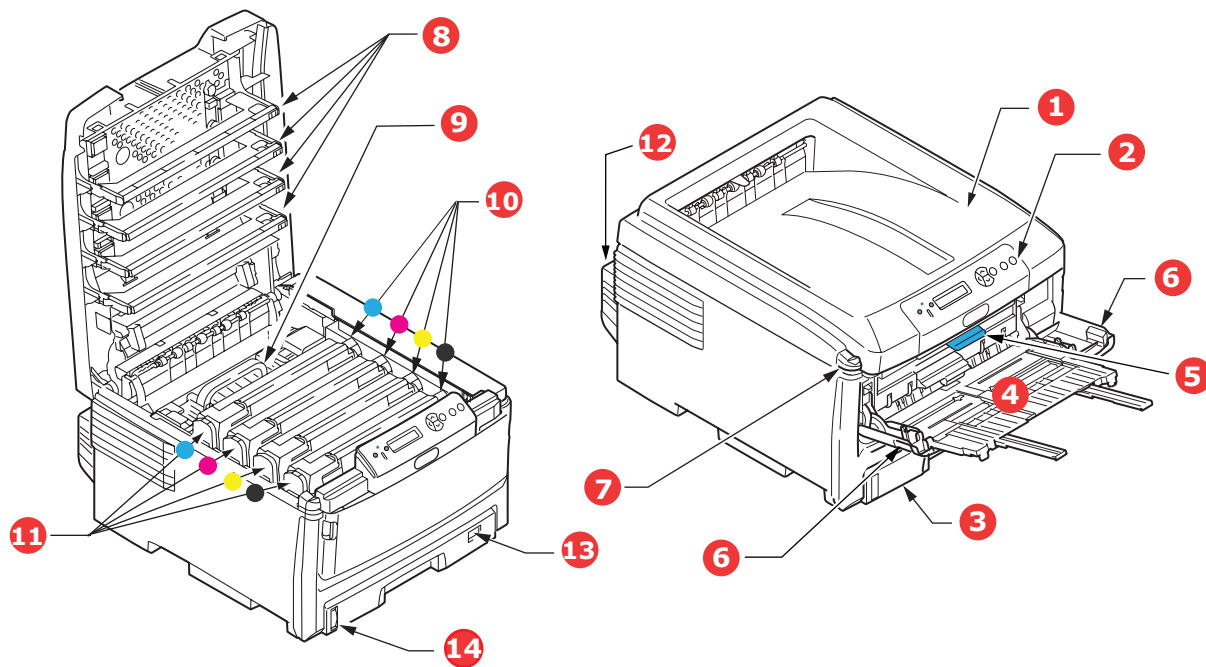
Additionally, the following optional features are also available:

- > Automatic two-sided (duplex) printing for economical use of paper and compact printing of larger documents (standard on dn models);
- > Additional paper trays for loading a further 530/1060 sheets to minimize operator intervention, or different paper stocks for letterhead stationery, alternative paper sizes or other print media;
- > Additional memory allows printing of more complex pages. For example, high resolution banner printing (C830);
- > Internal hard disk drive for Secure printing, storage of overlays, macros and downloadable fonts, and automatic collation of multiple copies of multipage documents and the download of ICC Profiles (available for C830)

For full details of how to connect and use the network feature, please refer to the online **Network Guide**.

PRINTER OVERVIEW

FRONT VIEW

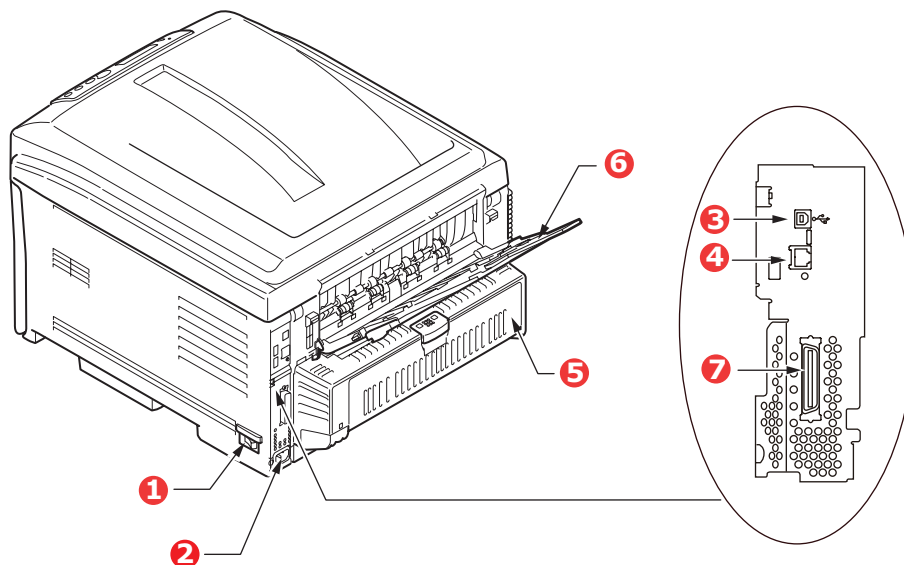


<p>1. Output stacker (face down). Standard printed copy delivery point. Holds up to 250 sheets at 80g/m².</p> <p>2. Operator panel. Menu driven operator controls and LCD display panel.</p> <p>3. Paper tray. Standard blank paper tray. Holds up to 300 sheets of 80g/m² paper.</p> <p>4. Multi purpose tray. Used for feeding heavier paper stocks, envelopes and other special media. Also for manual feeding of single sheets when required.</p>	<p>5. Front cover release lever.</p> <p>6. Multi-purpose tray release lever</p> <p>7. Top cover release button.</p> <p>8. LED heads</p> <p>9. Fuser</p> <p>10. Toner cartridges (C,M,Y,K).</p> <p>11. ID units (C,M,Y,Y).</p> <p>12. Duplex Unit (optional).</p> <p>13. Paper size dial.</p> <p>14. Paper level guage.</p>
---	--

The LCD display language can be changed to show different languages. (See "Changing the display language" on page 9.)

REAR VIEW

This view shows the connection panel, the rear output stacker and the location of the optional duplex (two-sided printing) unit.



1. ON/OFF switch.	5. Duplex unit (when fitted).
2. AC power socket.	6. Rear, face up, 100 sheet stacker.
3. USB interface.	7. Parallel Port (B830 only).
4. Network interface.*	

* The Network Interface may have a protective "plug" which must be removed before connection can be made.

When the rear paper stacker is folded down paper exits the printer through the rear of the printer and is stacked here face up. This is mainly used for heavy print media. When used in conjunction with the multi purpose feed tray, the paper path through the printer is essentially straight. This avoids bending the paper around curves in the paper path and enables feeding of up to 200g/m² media.

CHANGING THE DISPLAY LANGUAGE

The default language used by your printer for display messages and for report printing is English. If required, this can be changed to:

- Canadian French
- South American Spanish
- Brazilian Portuguese

See Optional Utilities (Change the Printer Display language utility) on the driver installation CD.

PAPER RECOMMENDATIONS

Your printer will handle a variety of print media, including a range of paper weights and sizes, transparencies and envelopes. This section provides general advice on choice of media, and explains how to use each type.

The best performance will be obtained when using standard 20 to 24 lb (75~90g/m²) paper designed for use in copiers and laser printers. Suitable types are:

- > HammerMill® Laser Print Radiant, White, 24 lb US Bond
- > Xerox® 4024, 20 lb US Bond
- > Oki® Bright White, 32 lb US Bond

Use of heavily embossed or very rough textured paper is not recommended.

Pre-printed stationery can be used, but the ink must not offset when exposed to the high fuser temperatures used in the printing process.

Envelopes should be free from twist, curl or other deformations. They should also be of the rectangular flap type, with glue that remains intact when subjected to hot roll pressure fusing used in this type of printer. Window envelopes are not suitable. Envelopes should be handled by the Multi Purpose tray.

Transparencies should be of the type designed for use in copiers and laser printers. In particular, avoid office transparencies designed for use by hand with marker pens. These will melt in the fuser and cause damage. Transparencies should be handled by the Multi Purpose tray.

Labels should also be of the type recommended for use in copiers and laser printers, in which the base carrier page is entirely covered by labels. Other types of label stock may damage the printer due to the labels peeling off during the printing process.

Use the MPT for printing labels.

CASSETTE TRAYS

SIZE	DIMENSIONS	WEIGHT (G/M ²)
A6 (Tray 1 only)	105 x 148mm	
A5	148 x 210mm	
B5	182 x 257mm	
Executive	184.2 x 266.7mm	Light 64-82g/m ²
A4	210 x 297mm	Medium light 83- 90g/m ²
B4	250 x 353mm	Medium 91-105g/m ²
A3	420 x 297mm	Heavy 106-128g/m ²
Letter	215.9 x 279.4mm	Ultra heavy1 129-203g/m ²
Legal 13in.	216 x 330mm	Ultra heavy2 204-220g/m ²
Legal 13.5in.	216 x 343mm	(> 176g/m ² - MP Tray only)
Legal 14in.	216 x 356mm	

If you have identical paper stock loaded in another tray (2nd/3rd tray if you have one, or multi purpose tray) you can have the printer automatically switch to the other tray when the current tray runs out of paper. When printing from Windows applications, this function is enabled in the driver settings. When printing from other systems, this function is enabled in the Print Menu.

If fitted, tray 2/3 may be removed and replenished while the machine is being fed from tray 1. Tray 1 cannot be removed while the machine is being fed from tray 2/3, because parts of tray 1 are used to guide paper fed from tray 2. This also applies to tray 2 when paper is being fed from tray 3.

MULTI PURPOSE TRAY

The multi purpose tray can handle the same sizes as the cassette trays but in weights up to 220g/m². For very heavy paper stock use the face up (rear) paper stacker. This ensures that the paper path through the printer is almost straight.

The multi purpose tray can feed paper widths as small as 64mm and lengths up to 1320mm (52 Inches) (banner printing).

For paper lengths exceeding 431.8mm use paper stock up to 128g/m² and the face up (rear) paper stacker.

Use the multi purpose tray for printing on envelopes and transparencies. Up to 50 sheets of transparencies or 10 envelopes can be loaded at one time, subject to a maximum stacking depth of 10mm.

Paper or transparencies should be loaded print side up and top edge into the printer. Do not use the duplex (two-sided printing) function.

FACE DOWN STACKER

The face down stacker on the top of the printer can hold up to 250 sheets of 80g/m² standard paper, and can handle paper stocks up to 176g/m². Pages printed in reading order (page 1 first) will be sorted in reading order (last page on top, facing down).

FACE UP STACKER

The face up stacker at the rear of the printer should be opened and the tray extension pulled out when required for use. In this condition paper will exit via this path, regardless of driver settings.

The face up stacker can hold up to 100 sheets of 80g/m² standard paper, and can handle stocks up to 220g/m².

Always use this stacker and the multi purpose feeder for paper stocks heavier than 176g/m².

DUPLEX UNIT

This option provides automatic two-sided printing on the same range of paper sizes as tray 2/3 (i.e. all cassette sizes except A6), using paper stocks from 64-128g/m².

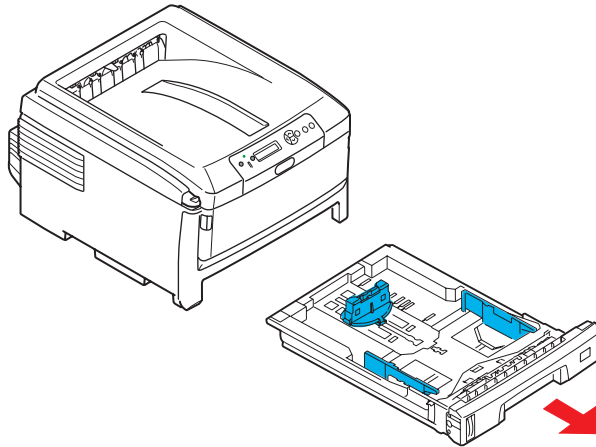
NOTE:

The duplex unit comes as standard with dn & dtn models.

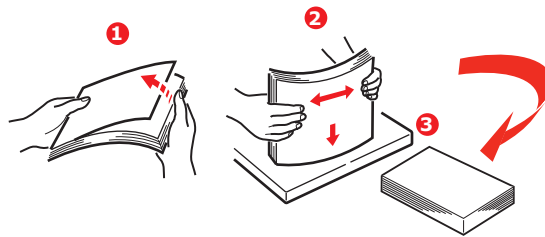
LOADING PAPER

CASSETTE TRAYS

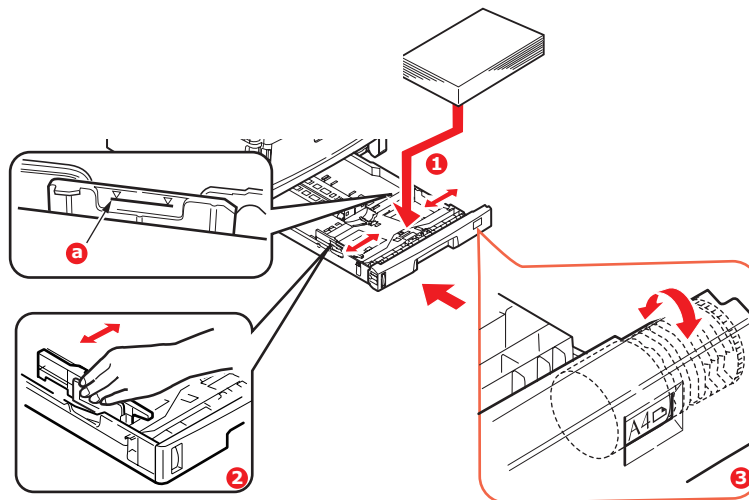
1. Remove the paper tray from the printer.



2. Fan the paper to be loaded at the edges (1) and in the middle (2) to ensure that all sheets are properly separated, then tap the edges of the stack on a flat surface to make it flush again (3).



3. Load paper long edge feed (LEF) (letter headed paper - face down and top edge towards the right of the printer) (1) up to mark (a).



4. Adjust the rear stopper, paper guides (2) and cassette tray roller (3) to the size and orientation of paper being used. For A6 paper, remove and re-install in the A6 position.

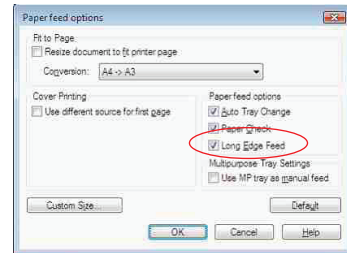
CAUTION!

- > **IMPORTANT: Set paper size dial (3) to the size and orientation of paper being used (A4 LEF in the above example).**
- > **C810 only: GDI printers use the printer settings defined by the host (PC).**

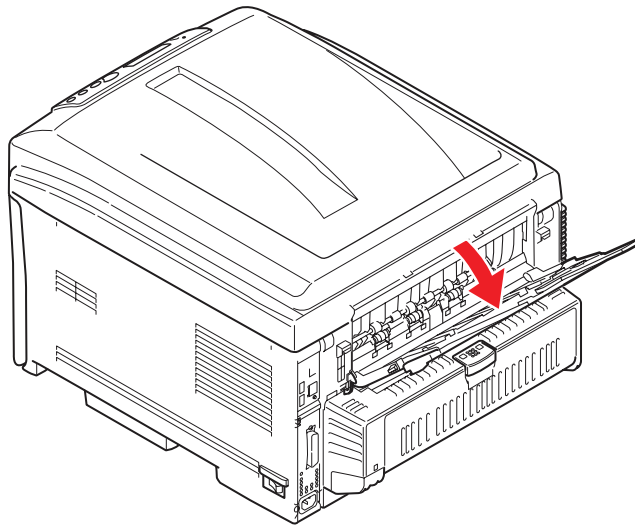
If the paper is oriented long-edge, the Long Edge Feed (LEF) checkbox must be *enabled* in the printer driver.

If the paper is oriented short-edge, the Long Edge Feed checkbox must be *disabled* in the printer driver.

If the driver setting doesn't match the paper orientation, the printer will display an error message indicating that a mismatch has occurred.



5. If you have two trays and you are printing from the 1st (upper) tray, you can pull out the 2nd (lower) tray during printing to reload it. However, if printing from the 2nd (lower) tray, do not pull out the 1st (upper) tray. This will cause a paper jam.
If 3 trays are fitted this applies to trays 1 & 2 if printing from the 3rd (lower) tray.
6. For face down printing, make sure the face up (rear) stacker (3) is closed (the paper exits from the top of the printer). Stacking capacity is approximately 250 sheets, depending on paper weight.
7. For face up printing, make sure the face up (rear) stacker (3) is open and the paper support (4) is extended. Paper is stacked in reverse order and tray capacity is approximately 100 sheets, depending on paper weight.



8. Always use the face up (rear) stacker for heavy paper (card stock etc.).

CAUTION!

Do not open or close the rear paper exit while printing as it may result in a paper jam.

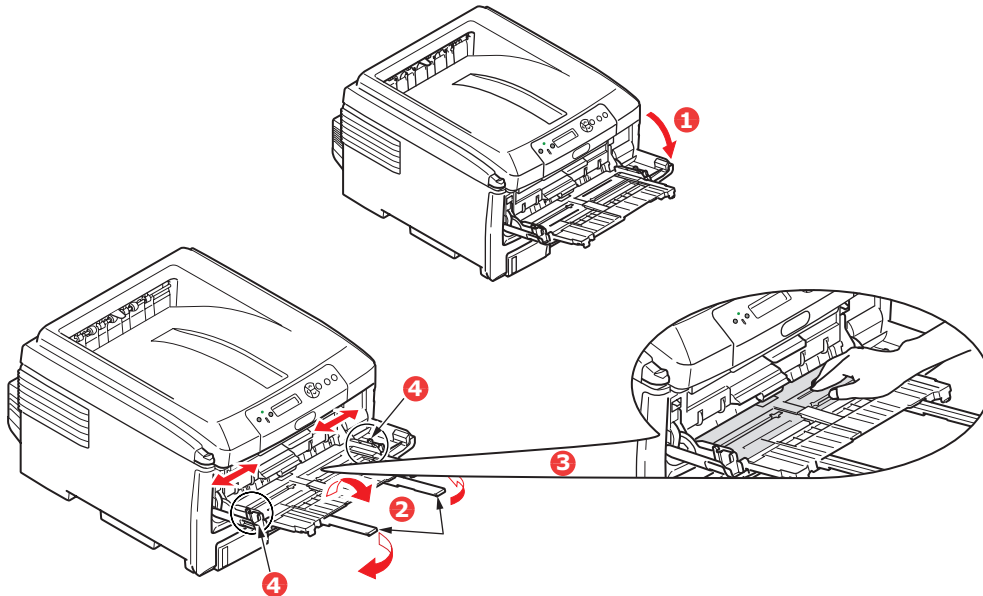
To prevent paper jams:

- > Do not leave space between the paper and the guides and rear stopper.
- > Do not overfill the paper tray. Capacity depends on the type of paper stock.
- > Do not load damaged paper.
- > Do not load paper of different sizes or types at the same time.
- > Do not pull the paper tray out during printing (except as described above for the 2nd tray).

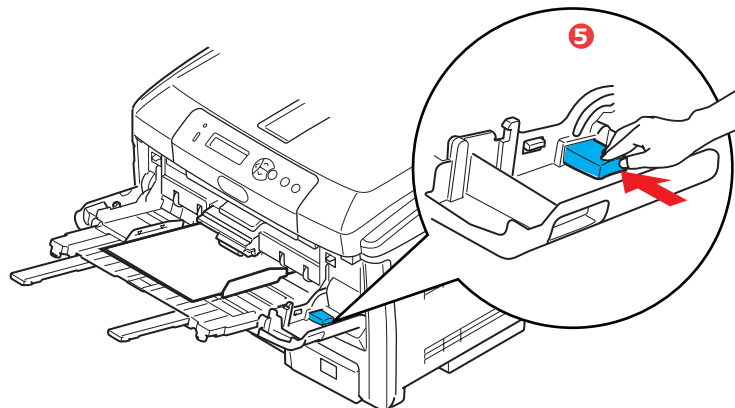
Close the paper tray gently.

MULTI PURPOSE TRAY

1. Open the multi purpose tray (1).
2. Fold out the paper supports (2).



3. Press gently down on the paper platform (3) to ensure it is latched down.
4. Load the paper and adjust the paper guides (4) to the size of paper being used.
 - > For single-sided printing on A4 headed paper load the paper into the multi purpose tray with pre-printed side up and left hand edge (LEF), top edge (SEF) into the printer.
 - > For two-sided (duplex) printing on A4 headed paper load the paper with pre-printed side down and left hand edge (LEF), top edge (SEF) away from the printer. (Optional duplex unit must be installed for this function.)
 - > Envelopes should be loaded face up with top edge to the left and short edge into the printer. Do not select duplex printing on envelopes.
 - > Do not exceed the paper capacity of about 100 sheets or 10 envelopes. Maximum stacking depth is 10mm.
5. Press the tray latch button (5) inwards to release the paper platform, so that the paper is lifted and gripped in place.



Set the correct paper size for the multi purpose tray in the Media Menu (see "Menu Functions").

SECURITY (C830)

SECURE PRINTING

Secure printing allows you to print confidential documents on machines that are shared with other users in a network environment.

The document does not print until a PIN (Personal Identification Number) is entered through the Printer Control Panel. You must go to the machine and enter the PIN.

This feature requires the hard disk drive option to be fitted to your machine and enabled in the printer driver.

If there is not enough hard disk space for the spooled data, a "Disk Full" message displays, and only one copy prints.

The secure printing feature may not be available from within some PC applications.

If your application software has a collate print option, turn it off. Otherwise secure printing will not work.

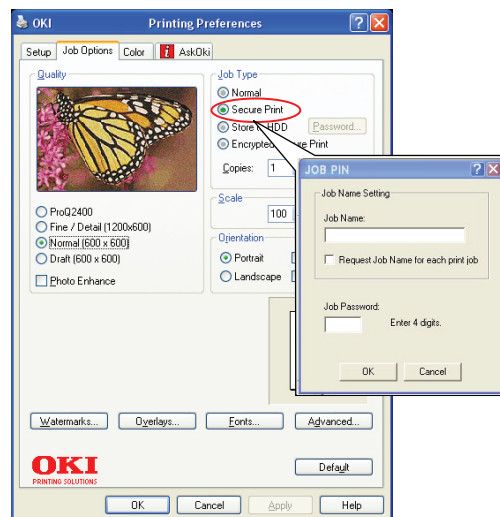
Secure printing is not supported in the Mac environment.

There are three parts in secure printing:

- > Sending the document to the machine ([page 16](#));
- > Printing the document ([page 17](#));
- > Deleting the document when it is not required ([page 17](#)).

SENDING THE DOCUMENT

1. If using the PCL driver, in the [Setup] tab choose any saved driver settings you wish to use.
1. In the driver's [Job Options] tab, click [Secure Print].
2. The Job PIN (Personal Identification Number) window opens.

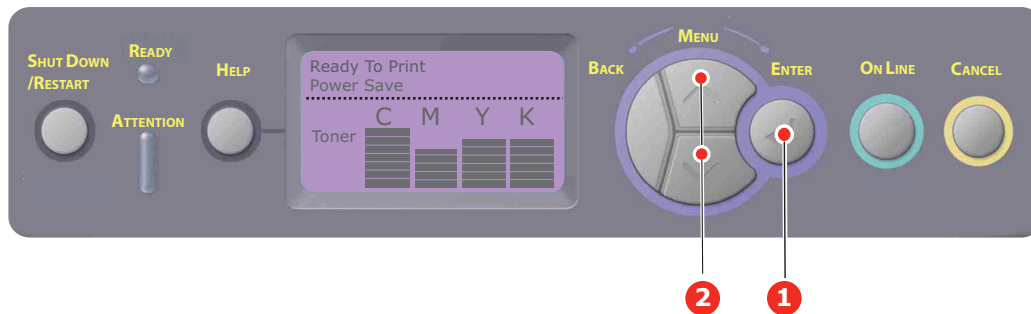


3. If the PIN window does not open, click the [PIN] button.
4. In the Job PIN window, enter a [name] for this print job.
5. The name may be up to 16 alpha-numeric characters.
6. If you would like a prompt at the machine for the job name, click the [Request...] checkbox below the name entry.
7. Enter a number from 0000 to 9999 in the [PIN] box.

8. Your PIN must be unique on this machine. Each user should be allocated a PIN by the system administrator.
9. Click [OK] to accept your changes.
10. Click [OK] to close the Printer Properties window.
11. Print your document.
12. The print job will be sent to the machine, but will not print at this time.

PRINTING THE DOCUMENT

Your secure print job is printed using the Printer Control Panel on the front of the machine.



1. When the machine is idle use the UP or DOWN arrow buttons (2) to select the PRINT JOB menu, then press [ENTER] (1).
2. Select "ENCRYPTED/STORED JOB".
3. Use the UP or DOWN arrow buttons to enter the first digit of your PIN, then press [ENTER].
4. Repeat step 3 to enter the remaining three digits.
5. Press [ENTER] to confirm you wish to print the document.
6. Use the UP or DOWN arrow buttons to select the number of collated copies you require.
7. Press [ENTER] to print your document.

When all required copies have been printed your document is automatically deleted from the machines hard disk.

It is also possible to print and delete secure documents remotely from your PC using the Storage Device Manager utility.

DELETING A SECURE PRINT DOCUMENT

If you change your mind about printing a secure document, you can delete it from the machine's hard disk without printing it first.

1. Follow steps 1 to 4 in the above procedure for printing the document.
2. Use the UP or DOWN arrow buttons to highlight the DELETE option and press [ENTER].
3. If necessary, use the UP or DOWN arrow buttons to highlight the YES choice, and press [ENTER] to confirm the deletion.
4. Your document is deleted from the machine's hard disk without printing.

STORE TO HARD DISK

Note: The Hard Disk Drive option is available for the C830 model.

This feature allows print jobs to be created on the PC and stored on the machine's hard disk for printing on demand. This is good for forms, generic memos, letterhead, stationery, etc.

If you use this feature for standard forms, for example, you can walk up to the machine at any time and print off your forms without having to re-send them from the PC.

This feature works in exactly the same way as the secure printing feature described earlier in this Chapter, and is available only in the Windows PostScript and PCL drivers. The difference with job spooling is that the document is not automatically deleted from the machine's hard disk after printing. It remains there for future use until you delete it from the Printer Control Panel or from your PC with the Storage Device Manager utility.

NOTE:

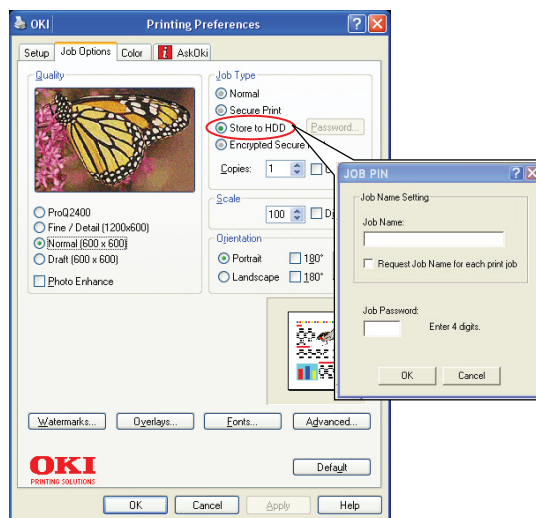
If this choice does not appear in the driver screens, or if it is greyed out, check to ensure that the hard disk is enabled in the printer driver.

Like the secure printing feature, there are three parts in job spooling:

1. Sending the document
2. Printing the document
3. Deleting a stored document

SENDING THE DOCUMENT

Follow the same procedures as described in the section ["Sending the document" on page 16](#) for sending a secure document, except that on the [Job Options] tab in step 2, click [Store to HDD].



PRINTING THE DOCUMENT

Follow the same procedures as described in ["Printing the document" on page 18](#) for printing a secure document. In this case the document will not be deleted from the hard disk after it has been printed.

DELETING A STORED DOCUMENT

Follow the procedure as described in ["Deleting a secure print document"](#) on page 17 for deleting a secure print document.

Like secure print documents, any other documents stored on the machine's hard disk can also be deleted remotely from the PC using the Storage Device Manager utility.

ENCRYPTED SECURE PRINTING

Security over the network is an increasing concern for some organizations. Encrypted secure printing allows you to send, store and print confidential documents on machines that are shared with other users in a network environment.

Encrypting your documents before sending them to your machine will prevent unauthorized personnel accessing confidential or sensitive information.

Print jobs are encrypted immediately before transmission to the machine, where they are stored in an encrypted format on the hard disk drive. The documents will remain stored and unprinted until an authorized user authenticates the print job; decryption only happens when the job is actually printing.

This feature requires the hard disk drive in your machine, this device must be enabled in the printer driver.

The encrypted secure printing feature may not be available from within some PC applications.

If your application software has a collate print option, turn it off. Otherwise secure printing may not work.

NOTE:

Encrypted secure printing is not available with either 32 bit or 64 bit versions of Windows Vista.

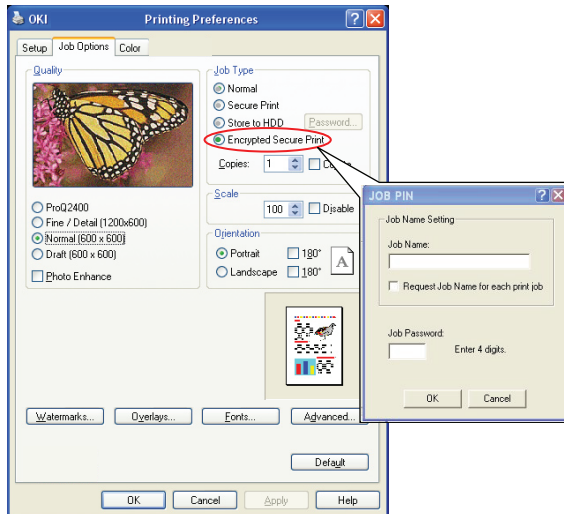
There are two parts in encrypted secure printing:

- > Sending the document
- > Printing the document

SENDING THE DOCUMENT

1. If using the PCL driver, in the [Setup] tab choose any saved driver settings you wish to use.
1. In the driver's [Job Options] tab, click [Encrypted Secure Print].

2. The Encrypted Secure Print window opens.



3. In the Encrypted Secure Print window, enter a [Password] for this print job:
The password must be between 4 and 12 alpha-numeric characters. Numbers 1 to 9 and letters a to z are all valid.
If you would like a prompt at the machine for the job password, click the [Always ask for password] checkbox below the password entry.
4. Select the required erase option for your print job:
 - > No overwrite: simply erases a print job without over writing the job with data. This erase method poses a risk of the print job being reconstructed.
 - > Zero out once: erases a print job after over writing it with data once. This erase method is safer than the “No overwrite” option however it still poses a risk of the print job being reconstructed.
 - > Multiple Random Overwrites: erases a print job after over writing it with data three times. This is the safest method of erasing a print job however it takes longer to complete the job.
5. Select the Auto Erase Time-out period.
Specify a period of time (hours:minutes) during which the print job is stored in the machine’s HDD. When this period expires, the print job is automatically erased from the HDD.
6. Click [OK] to accept your changes.
7. Click [OK] to close the Printer Properties window.
8. Print your document.

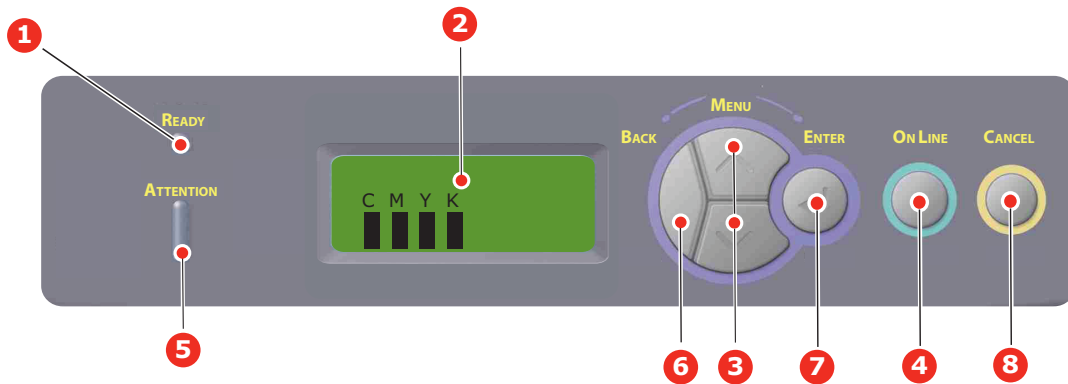
PRINTING THE DOCUMENT

Follow the same procedures as described in the section [“Printing the document” on page 18](#) for printing a secure document. In this case you will enter your password, and the document will be erased from the hard disk depending on the options you specified when sending the document to print.

MENU FUNCTIONS - C810

This section lists the menus accessed via the controls on the printer's operator panel and displayed in the LCD window.

OPERATOR PANEL:



1. Ready LED	ON: Ready to receive data. Blinking: Processing data. OFF: Offline.	2. Display	Displays the printer status and any error messages.
3. Menu Button	Enters the Menu mode. In Menu mode, forwards or reverses the menu item displayed. Press for 2 secs. or longer to fast forward or reverse.	4. On Line Button	Switches between ONLINE and OFFLINE . Exits the menu and goes ONLINE when pressed in the Menu mode. Scrolls the HELP screen. Forces printing on the paper currently loaded when pressed with "WRONG PAPER" or "WRONG PAPER SIZE" displayed.
5. Attention LED	ON: A warning occurs. Printing is possible. Blinking: An error occurs. Printing not possible. OFF: Normal condition.	6. Back Button	Returns to the previous higher level menu item.
7. Enter Button	In the ONLINE or OFFLINE mode: enters the Menu mode. In the Menu mode: determines the setting selected.	8. Cancel Button	Deletes the data being printed or received when pressed for two seconds or longer. Deletes the data when pressed for two seconds or longer with WRONG PAPER SIZE, RUN OUT OF PAPER, TRAY 1 IS OPEN, or TRAY 1 IS NOT FOUND is displayed.

HOW TO CHANGE THE SETTINGS - USER

It should be noted that many of these settings can be, and often are, overridden by settings in the Windows printer drivers. However, several of the driver settings can be left at "Printer Setting", which will then default to the settings entered in these printer menus.

Where applicable, factory default settings are shown in bold type in the following tables.

In the normal operating condition, known as "standby," the printer's LCD window will show "ONLINE." In this condition, to enter the menu system, press the +/- buttons on the operator panel to move up and down through the list of menus until the menu you wish to view is displayed. Then proceed as follows:

1. Press **ENTER** to enter the menu.

2. Use the up or down **Menu** buttons to move up and down through the items in the menu. When the item you want to change is displayed, press **Enter** to edit that item. An asterisk (*) appears next to the setting currently in effect.
3. Use the up or down **Menu** buttons to move up and down through the available settings for this item, and press **Enter** when the setting you want is displayed. An asterisk (*) will appear next to the setting, indicating that this setting is now in effect.
4. Press **BACK** to move back to the list of menu items.
5. Do one of the following:
 - > Press **BACK** again to move up to the list of menus;or...
 - > Press **ON LINE** to exit from the menu system and return to standby.

NOTE:

*When you have changed any settings in the USB MENU, turn the printer **OFF**, then **ON** again.*

HOW TO CHANGE THE SETTINGS - ADMINISTRATOR

You can set whether to **ENABLE** or **DISABLE** each category in the user menu.

Disabled categories are not displayed in the User's menu.

Only a system administrator can change these settings.

1. Turn **OFF** the printer.
2. Turn **ON** the printer while pressing the **Enter** button.
When the **Admin Menu** appears, take your finger off the button.
3. Press the **Enter** button.
4. When **Enter Password** appears, press the up or down **Menu** button several times to display the 1st line of the password and then press the Enter button.
Enter your 4- to 9-digit password.
(The default password is "aaaaaa").
5. Press the **Enter** button.
6. Press the up or down **Menu** button until the "category" you want to change is displayed.
7. When it is, press the **Enter** button.
8. Press the up or down **Menu** button until the "item" you want to change is displayed.
9. When it is, press the **Enter** button..
10. Initialization of the flash memory prompts with the message ARE YOU SURE?. Confirm whether the change may be executed or not.
11. To execute it, press the up or down **Menu** button to display **YES** and then press the **Enter** button. The printer automatically reboots.
12. When PLEASE POW OFF/SHUTDOWN COMP is displayed, turn the printer **OFF/ON**
13. Press the up or down **MENU** button until the setting you want is displayed.
14. Press the **Enter** button to enter [*] on the right side of the setting selected.
15. Press the **On Line** button to switch the printer online.

MENUS

INFORMATION MENU

This menu provides a quick method of listing various items stored within the printer.

ITEM	ACTION	EXPLANATION
PRINT MENU MAP	EXECUTE	Prints complete menu listing with current settings shown.
NETWORK	EXECUTE	Prints Network configuration information.
DEMO1	EXECUTE	Prints demonstration page containing graphics and text in color and monochrome.
USAGE REPORT	EXECUTE	Prints a report of total impressions and supply replacements.

SHUTDOWN MENU

ITEM	ACTION	EXPLANATION
SHUTDOWN START	EXECUTE	Starts the power off sequence (this protects the filing system).

PRINT MENU

This menu provides adjustment of various print job related functions.

ITEM	SETTINGS	EXPLANATION
COPIES	1-999	Enter the number of copies of a document to be printed from 1 to 999.
PAPER FEED	TRAY1 TRAY2 MP TRAY	Selects the default tray for paper feed, Tray 1 (upper), Tray 2 (lower, if installed) or MP Tray (multi purpose tray).
AUTO TRAY SWITCH	ON OFF	If two trays contain identical paper, the printer can switch to an alternative source when the current tray runs out in the middle of a print job.
TRAY SEQUENCE	DOWN UP PAPER FEED TRAY	Determines tray sequence order when automatically switching.
MP TRAY USAGE	DO NOT USE WHEN MISMATCH	If a document to be printed demands a paper size not installed in the selected tray, the printer can automatically feed from the multi purpose tray instead. If this function is not enabled, the printer will stop and request the correct size of paper to be loaded.
MEDIA CHECK	ENABLE DISABLE	Determines whether the printer check the size of paper loaded matches that required for the document sent to print.

ITEM	SETTINGS	EXPLANATION
MONO-PRINT SPEED	AUTO SPEED	If the first page of a print job is black and white, the printer runs at 32ppm (pages per minute). When a color page is detected the printer slows down to 30ppm for the rest of that job.
	MONO 32PPM	This setting operates in the same way as AUTO SPEED, except that the printer runs at 32ppm until a color page is detected. To achieve this speed the printer requires an additional time to warm up and cool down when switching to 30ppm for color pages. This setting is therefore most appropriate when the majority of print jobs are entirely black and white.
	COLOR SPEED	The printer runs at 30ppm for all print jobs. This setting is most appropriate when the majority of print jobs are in color.
	MIXED SPEED	The printer runs at 26 ppm for color pages and 30 ppm for mono pages.

MEDIA MENU

This menu provides adjustment to suit a wide range of print media.

ITEM	SETTINGS	EXPLANATION
TRAY1 PAPERSIZE	CASSETTE SIZE CUSTOM	Selects the size of paper loaded in Tray 1 (upper tray if both trays installed). For CUSTOM setting see X-DIMENSION and Y-DIMENSION later in this table.
TRAY1 MEDIATYPE	PLAIN LETTERHEAD BOND RECYCLED CARD STOK GLOSSY ROUGH	Selects the type of media loaded in this tray. This will help the printer to adjust its internal operating parameters, such as engine speed and fusing temperature, to better accommodate the media to be fed. For example, letterhead may benefit from a slightly lower fusing temperature to ensure that its ink does not offset.
TRAY1 MEDIAWEIGHT	LIGHT MEDIUM LIGHT MEDIUM HEAVY	Adjusts the printer for the weight of paper stock loaded in this tray.
TRAY2 PAPERSIZE	CASSETTE SIZE CUSTOM	Selects the size of paper loaded in Tray 2 (lower) if installed. For CUSTOM setting see X-DIMENSION and Y-DIMENSION in this table.
TRAY2 MEDIATYPE	PLAIN LETTERHEAD BOND RECYCLED CARD STOK GLOSSY ROUGH	Selects the type of media loaded in this tray (if installed). (see notes above for tray 1).
TRAY2 MEDIAWEIGHT	LIGHT MEDIUM LIGHT MEDIUM HEAVY	Adjusts the printer for the weight of paper stock loaded in this tray (if installed).
TRAY3 PAPERSIZE	CASSETTE SIZE CUSTOM	Selects the size of paper loaded in Tray 3 (lower) if installed.

ITEM	SETTINGS	EXPLANATION
TRAY3 MEDIATYPE	PLAIN LETTERHEAD TRANSPARENCY BOND RECYCLED CARD STOK GLOSSY ROUGH	Selects the type of media loaded in this tray (if installed). (see notes above for tray 1).
TRAY3 MEDIAWEIGHT	LIGHT MEDIUM LIGHT MEDIUM HEAVY-	Adjusts the printer for the weight of paper stock loaded in this tray (if installed).
MPT PAPERSIZE	A3 A4 SEF A4 LEF A5 SEF A6 B4 B5 SEF B5 LEF LEGAL 14 LEGAL 13.5 LEGAL 13 TABLOID LETTER SEF LETTER LEF EXECUTIVE CUSTOM COM-10 ENVELOPE DL ENVELOPE C5 ENVELOPE C4 ENVELOPE	Selects the size of paper to be fed from the multi purpose tray. For CUSTOM setting see X-DIMENSION and Y-DIMENSION later in this table.
MPT MEDIATYPE	PLAIN LETTERHEAD TRANSPARENCY LABELS CARD STOCK GLOSSY BOND RECYCLED ROUGH	Selects the type of media to be fed from the multi purpose tray so that the printer can adjust its internal parameters to better accommodate the selected type of media.
MPT MEDIAWEIGHT	LIGHT MEDIUM LIGHT MEDIUM HEAVY ULTRA HEAVY1 ULTRA HEAVY2	Selects the media weight to be fed from the multi purpose tray.
UNIT OF MEASURE	MILLIMETRE INCH	Selects the unit of measure for the next two items.

COLOR MENU

The printer automatically adjusts color balance and density at appropriate intervals, optimising the printed output for bright white paper viewed in natural daylight conditions. The items on this menu provide a means of changing the default settings for special or particularly difficult print jobs. Settings revert to their default values when the next print job is complete.

ITEM	SETTINGS	EXPLANATION
DENSITY CONTROL	AUTO MANUAL	Selecting this will permit automatic adjustment of the color density.
ADJUST DENSITY	EXECUTE	Image density will be automatically adjusted at power on, when a new image drum or toner cartridge is installed, and at intervals of 100, 300 and 500 drum counts. If a 500 drum count interval occurs during a print job it will occur at the end of that job, and will take up to 55 seconds.
AJUST REGISTRATION	EXECUTE	Performs automatic color registration adjustment. Normally this is done on power on and when the top cover is opened and then closed. This process accurately aligns the cyan, magenta and yellow images to the black image.
C REG FINE ADJ M REG FINE ADJ Y REG FINE ADJ	-3~ 0 ~+3 -3~ 0 ~+3 -3~ 0 ~+3	Performs fine adjustment of image timing in relation to the black image component.

SYSTEM CONFIGURATION MENU

This menu adjusts general printer settings to suit the way you prefer to work.

ITEMS	SETTINGS	EXPLANATION
POW SAVE DELAY	5 15 30 60 240	Adjusts the idling time before the printer automatically switches into power saving mode. In this mode power consumption is reduced to a low level required to just keep the printer operating and ready to receive data. When a job is sent the printer will require a warm-up time of up to 1 minute before printing can begin.
CLRABLE WARNING	ONLINE JOB	When ONLINE , non-critical warnings, such as requests for a different paper size, can be cleared by pressing the ON LINE button. When set to JOB , they are cleared when the print job resumes.
MANUAL TIMEOUT	OFF 30 60	Specifies how many seconds the printer will wait for paper to be fed before cancelling the job.
WAIT TIMEOUT	OFF~ 90 ~300	Specifies how many seconds the printer will wait when received data pauses before forcing a page eject. In PostScript Emulation mode the job will be cancelled if timeout occurs.
TONER LOW CONTINUE	CONTINUE STOP	Specifies whether the printer should continue printing even after a low toner condition is detected.
JAM RECOVERY	ON OFF	Specifies whether the printer should perform jam recovery after a paper jam has occurred. If ON , the printer will attempt to print again any pages lost due to a paper jam once the jam has been cleared.
ERROR REPORT	ON OFF	Sets whether an error report is printed when an internal fault occurs.

USB MENU

This menu controls the operation of the printer's USB data interface.

ITEM	SETTINGS	EXPLANATION
SOFT RESET	ENABLE / DISABLE	Enables or disables the SOFT RESET command.
SPEED	12 / 480 Mps	Selects the interface speed.
SERIAL NUMBER	ENABLE / DISABLE	Specifies whether to ENABLE or DISABLE a USB serial number. The USB serial number is used to identify the USB device connected to your PC.

NOTE:

When you have changed any settings in the USB MENU, turn the printer OFF, then ON again.

NETWORK MENU

This menu controls the operation of the printer's 10Base-T/100Base-TX network interface.

ITEM	SETTINGS	EXPLANATION
TCP/IP	ENABLE / DISABLE	Enables or disables this network protocol.
NETBEUI	ENABLE / DISABLE	Enables or disables this network protocol.
IP ADDRESS SET	AUTO / MANUAL	Specifies whether IP address allocation is automatic (DHCP) or manually assigned.
IP ADDRESS	xxx.xxx.xxx.xxx	Current assigned IP address. To change, press ENTER and use up or down buttons to increment 1st octet, then press ENTER again to move on to next octet. When 4th octet has been set, press ENTER again to register new address.
SUBNET MASK	xxx.xxx.xxx.xxx	Current assigned subnet mask. To change, proceed as above.
GATEWAY ADDRESS	xxx.xxx.xxx.xxx	Current assigned gateway address. To change, proceed as above.
WEB	ENABLE / DISABLE	Enables or disables Web config. facility.
TELNET	ENABLE / DISABLE	Enables or disables Telnet config. facility.
FTP	ENABLE / DISABLE	Enables or disables communication via FTP.
SNMP	ENABLE / DISABLE	Enables or disables SNMP protocol.
NETWORK SCALE	NORMAL / SMALL	Selects network size.
HUB LINK SETTING	AUTO NEGOTIATE 100BASE-TX FULL 100BASE-TX HALF 10BASE-T FULL 10BASE-T HALF	Sets full or half duplex for communication via a network hub.

ITEM	SETTINGS	EXPLANATION
FACTORY DEFAULTS ENABLE	EXECUTE	Reloads the settings present when the unit was setup by the manufacturer.

MAINTENANCE MENU

This menu provides access to various printer maintenance functions.

ITEM	SETTINGS	EXPLANATION
MENU RESET	EXECUTE	Resets menus to default settings.
SAVE MENU	EXECUTE	Saves the current menu settings. The last menu executed is saved and the menu previously saved is overwritten and erased. When you press the ENTER button, the following confirmation message is displayed. "DO YOU WANT TO EXECUTE THIS FUNCTION?" YES/NO If you select NO, the display returns to the previous menu. If you select YES, the current menu settings are stored and the menu is exited.
POWER SAVE	ENABLE / DISABLE	Enables or disables automatic power save mode. Delay before entering this mode is set in the SYSTEM CONFIGURATION menu.
PAPER BLACK SET	-2~ 0 ~+2	Used for small adjustment when you experience faded print or light specks / streaking in monochrome printing on white paper. Select a higher value to reduce fading, or a lower value to reduce specks or streaking in high density print areas.
PAPER COLOR SET	-2~ 0 ~+2	As above, but for color printing.
TRNSPR BLACK SET	-2~ 0 ~+2	As above but for mono printing on transparencies.
TRNSPR COLOR SET	-2~ 0 ~+2	As above but for color printing on transparencies.
SMR SETTING	-3~ 0 ~+3	Compensates for print variations caused by differences in temperature, humidity, and printing density/frequency. Change the value when the image quality is uneven.
BG SETTING	-3~ 0 ~+3	Compensates for print variations caused by differences in temperature, humidity and printing density/frequency. Change the value when the background density is high.

USAGE MENU

This menu is for information only, and provides an indication of total usage of the printer and the expected life left in its consumable items. This is particularly useful if you do not have a full set of replacement consumables to hand and you need to know how soon you will need them.

ITEM	DISPLAY	EXPLANATION
TRAY1 COUNT	nnnnnn	The total number of pages fed from tray 1.
TRAY2 COUNT	nnnnnn	The total number of pages fed from tray 2 (if fitted).
TRAY3 COUNT	nnnnnn	The total number of pages fed from tray 3 (if fitted).
MPT COUNT	nnnnnn	The total number of pages fed from the multi purpose tray.

ITEM	DISPLAY	EXPLANATION
K DRUM LIFE C DRUM LIFE M DRUM LIFE Y DRUM LIFE	REMAINING nnnnnn	Percentage of life remaining in these consumable items.
BELT LIFE	REMAINING nnnnnn	Percentage of belt life remaining.
FUSER LIFE	REMAINING nnnnnn	Percentage of fuser life remaining.
K TONER C TONER M TONER Y TONER	REMAINING nnnnnn	Cartridge size and current toner level.

ADMINISTRATOR (BOOT) MENU

This menu is only accessible to System Administrators. In order to gain access to this menu, follow the instructions in.

This menu is in **ENGLISH** only (default settings in bold type).

ITEM	SUB-MENU	SETTINGS	EXPLANATION
Enter Password		xxxxxxxxxxxx	Enter a password to gain entry to the Admin menu. Password should be from 6 to 12 digits of alpha/numeric characters (or mix) The default value is "aaaaaa" The printer will restart after the Boot Menu.
	Custom Process	FULL COLOR MONOCHROME CUSTOM COLOR	FULL COLOR - does not use a limited-color-print function. MONOCHROME - uses a limited-color-print function, and deals with every job as a monochrome job. CUSTOM COLOR - uses a limited-color-print function. After the setting change, exit from the menu, and mode change to ONLINE, the printer will restart. * C810 standard printers do not display this menu.
		C DRUM CHECK	Switches ENABLE/DISABLE of installation check for a CYAN/MAGENTA or YELLOW image drum. If DISABLE is set, an uninstillation error does not occur when an image drum is removed. After the setting change, exit from the menu, and mode change to ONLINE, the printer restarts. Conditions for display: CUSTOM COLOR is selected in ADMIN MENU - CUSTOM PROCESS set.
		M DRUM CHECK	
		Y DRUM CHECK	
	OP Menu		
	ALL CATEGORY	ENABLE/ DISABLE	Enables/Disables all categories in the USERS MENU. If DISABLE is selected, only the PRINT JOB MENU will appear.
	INFORMATION MENU	ENABLE/ DISABLE	Enables/disables the information menu. If DISABLE is selected, the information menu will not appear.
	SHUTDOWN NENU	ENABLE/ DISABLE	Enables/disables the shutdown menu. If DISABLE is selected, this menu will not appear.

ITEM	SUB-MENU	SETTINGS	EXPLANATION
	PRINT MENU	ENABLE/ DISABLE	Enables/disables the print menu. If DISABLE is selected, this menu will not appear.
	MEDIA MENU	ENABLE/ DISABLE	Enables/disables the media menu. If DISABLE is selected, this menu will not appear.
	COLOR MENU	ENABLE/ DISABLE	Enables/disables the color menu. If DISABLE is selected, this menu will not appear.
	SYS CONFIG MENU	ENABLE/ DISABLE	Enables/disables the system configuration menu. If DISABLE is selected, this menu will not appear.
	USB MENU	ENABLE/ DISABLE	Enables/disables the USB menu. If DISABLE is selected, this menu will not appear.
	NETWORK MENU	ENABLE/ DISABLE	Enables/disables the network menu. If DISABLE is selected, this menu will not appear.
	MEMORY MENU	ENABLE/ DISABLE	Enables/disables the memory menu. If DISABLE is selected, this menu will not appear.
	SYS ADJUST MENU	ENABLE/ DISABLE	Enables/disables the system adjust menu. If DISABLE is selected, this menu will not appear.
	MAINTENANCE MENU	ENABLE/ DISABLE	Enables/disables the maintenance menu. If DISABLE is selected, this menu will not appear.
	USAGE MENU	ENABLE/ DISABLE	Enables/disables the usage menu. If DISABLE is selected, this menu will not appear.
	Config Menu		
	NEARLIFE STATUS	ENABLE/ DISABLE	Enables/disables the LED control when NearLife warning of a toner, drum, fuser, or belt occurs.
	NEARLIFE LED	ENABLE/ DISABLE	Attention LED is lighted when enabled, not lighted when disabled. (Displays LCD message). The status (Life warning) of temporary recovery by opening and closing of the cover is not included.
	PEAK POW CONTROL	NORMAL/LOW	Sets level of peak power control.
	FILE SYS MAINT1		
	FLASH INITIALIZE	EXECUTE	Initializes the resident flash memory. The following message appears when pressing the enter button. ARE YOU SURE? YES/NO If NO is selected, the printer will go back to the source menu. If YES is selected, the printer will be automatically rebooted and initialize the flash memory.
	FILE SYS MAINT2		
	INITIAL LOCK	YES/NO	If YES is selected ADMIN MENU will not appear - FILE SYS MAINT !
	LANGUAGE MENU		

ITEM	SUB-MENU	SETTINGS	EXPLANATION
	LANG INITIALIZE	EXECUTE	Initializes the message file loaded in flash memory. The following message for confirmation will appear by pressing the enter button. ARE YOU SURE? YES/NO If NO is selected, the printer will go back to the source menu. The procedure for clearing disk will start immediately after the menu is rebooted
CHANGE PASSWORD			
	NEW PASSWORD	*****	Set a new password for entering administrator's menu. From 4 to 12 alpha/numerical digits can be entered.
	VERIFY PASSWORD	*****	Verifies the new password set above.

PRINT STATISTICS MENU

This menu is only accessible to System Administrators. In order to gain access to this menu, follow the instructions in ["How to change the settings - Administrator"](#) on page 22 but hold down the MENU UP button instead of the **Enter** button.

This menu is in **ENGLISH** only (default settings in bold type).

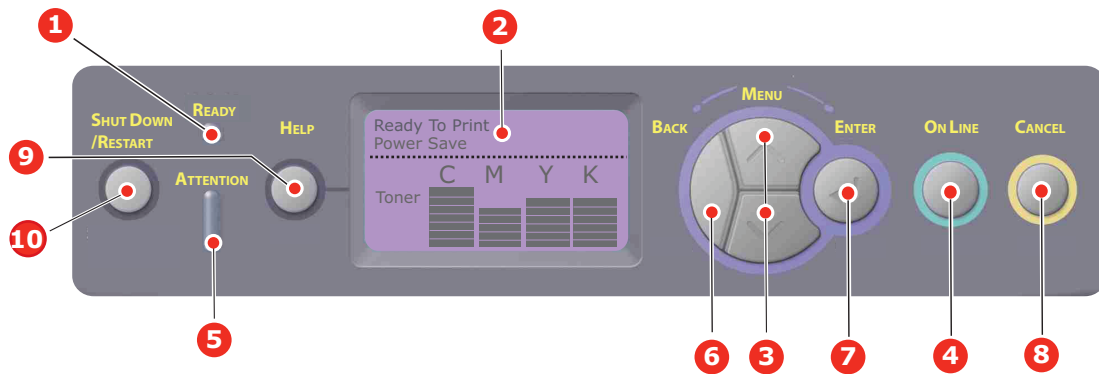
ITEM	SETTINGS	EXPLANATION
Enter Password	XXXX	Enters a password to enter Print Statistics menu. The default value is "0000". The password for entry to Print Statistics is different from the password for entry to Functions-Admin Setup. "Print Statistics" category is not shown when Print Statistics function is not supported.
Usage Report	Enable /Disable	Enables/Disables the printing of the Usage Report. When changing a setting value, the printer is rebooted.
Group Counter	Enable/ Disable	Specifies if the Group counter is displayed in the Usage Report Print. Enable : Displayed, Disable : Not displayed. Conditions for display: Enable must be selected in Functions/Print Statistics/ Usage Report.
Supplies Report	Enable /Disable	Enables/disables the Supplies Report. Enable must be selected in Functions/Print Statistics/ Usage Report.
Reset Main Counter	Execute	Resets the main counter to zero. When executing this menu, resets the main counter to zero and exits from the menu. Enable must be selected in Functions/Print Statistics/ Usage Report.
Reset Supplies Counter	Execute	Resets the Supplies counter to zero.
Change Password		Changes the password. Enable must be selected in Functions/Print Statistics/ Usage Report

ITEM	SETTINGS	EXPLANATION
New Password	xxxx	Sets a new password to enter Print Statistics menu.
Verify Password	xxxx	Re-enter new password set to enter Print Statistics set in New Password for confirmation.

MENU FUNCTIONS - C830

This section lists the menus accessed via the controls on the printer's operator panel and displayed in the LCD window.

OPERATOR PANEL:



1. READY LED	ON: Ready to receive data. BLINKING: Processing data. OFF: Offline.	2. Display	Displays the printer status and any error messages.
3. Menu Buttons	Enters the Menu mode. In Menu mode, forwards or reverses the menu item displayed. Press for 2 secs. or longer to fast forward or reverse.	4. On Line Button	Switches between ONLINE and OFFLINE . Exits the menu and goes ONLINE when pressed in the Menu mode. Forces printing on the paper currently loaded when pressed with "WRONG PAPER" or "WRONG PAPER SIZE" displayed.
5. Attention LED	ON: A warning occurs. Printing not possible (e.g empty toner). BLINKING: An error occurs. Printing may be possible (e.g. toner low). OFF: Normal condition.	6. Back Button	Returns to the previous higher level menu item or exits menu & returns printer to "Ready to Print".
7. Enter Button	In the ONLINE or OFFLINE mode: enters the Menu mode. In the Menu mode: determines the setting selected. Advances through the menu structure.	8. Cancel Button	Deletes the data being printed or received when pressed for two seconds or longer. Deletes the data when pressed for two seconds or longer with, e.g., WRONG PAPER SIZE displayed. Exits the menu and goes ONLINE when pressed in the Menu mode.
9. Help Button	Provides advice when an error such as incorrect paper size occurs	10. Shut Down/Restart Button	When held for a few seconds carries out the correct shutdown/restart procedure to prevent possible machine damage

HOW TO CHANGE THE SETTINGS - USER

It should be noted that many of these settings can be, and often are, overridden by settings in the Windows printer drivers. However, several of the driver settings can be left at "Printer Setting", which will then default to the settings entered in these printer menus.

Where applicable, factory default settings are shown in bold type in the following tables.

In the normal operating condition, known as "standby," the printer's LCD window will show "Ready to Print". In this condition, to enter the menu system, press the up and down Menu buttons on the operator panel to move up and down through the list of menus until the menu you wish to view is displayed. Then proceed as follows:

1. Press **Enter** to enter the menu.
2. Use the up or down **Menu** buttons on the control panel to scroll through the menus. When the item you want to change is displayed, press Enter to view the sub-menus for that item.
3. Use the up or down **Menu** buttons to move up and down through the sub-menu items. When the item you want to change is displayed press Enter to display the setting.
4. Use the up or down **Menu** buttons to move up and down through the available settings for the sub-menu item. When the item you want to change is displayed press Enter to display the setting. An asterisk (*) will appear next to the setting, indicating that this setting is currently in effect.
5. Do one of the following:
 - > Press **Back** again to move up to the list of menus;or...
 - > Press **On Line** or **Cancel** to exit from the menu system and return to standby.

NOTE:

*When you have changed any settings in the USB menu, turn the printer **OFF**, then **ON** again.*

HOW TO CHANGE THE SETTINGS - ADMINISTRATOR

You can set whether to **ENABLE** or **DISABLE** each category in the user menu.

Disabled categories are not displayed in the User's menu. Only a system administrator can change these settings.

1. Turn **OFF** the printer.
2. Turn **ON** the printer while pressing the **Enter** button. When **Boot Menu** appears, take your finger off the button.
3. Press the **Enter** button.
4. When **Enter Password** appears, press the **up or down MENU** button, each time followed by **Enter**, then **Enter** several times to input the 1st line of the your password, and then press the **Enter** button.
Enter your 4 to 9 digit password.
(The default password is aaaaaa).
5. Press the **Enter** button.
6. Press the up or down **Menu** button until the "category" you want to change is displayed.
7. When it is, press the **Enter** button.
8. Press the up or down **Menu** button until the "item" you want to change is displayed.
9. When it is displayed, press the **Enter** button.

10. Using the MENU **up** button or MENU **down** button, identify the parameter as required.
11. Press the **Enter** button to enter an asterisk (*) on the right side of the setting selected.
12. Press the **On Line** button to switch to online. The machine will automatically re-boot.

CONFIGURATION MENU

ITEM	ACTION	EXPLANATION
Tray Count	Tray1 Tray 2* Tray 3* MPT Tray *Note: Only available when optional trays are present	Select an item to display the total number of pages printed from the relevant tray.
Supplies Life	Cyan Drum Magenta Drum Yellow Drum Black Drum Belt Fuser Cyan Toner Magenta Toner Yellow Toner Black Toner	Select item to display the percentage of a consumable remaining.
Network	Printer Name Short Printer Name IP Address Subnet Mask Gateway Address MAC Address Network FW Version Web Remote version	Displays the full printer name. Displays an abbreviated version. Displays the IP Address Subnet of the network. Displays the Subnet Mask. Displays the Gateway of the network. Displays the Mac Address of the printer. Displays the Network firmware revision. Displays the Web remote version.
System	Serial Number Asset Number CU Version PU Version Total Memory Flash Memory HDD	Displays information for these items.

PRINT INFORMATION MENU

This menu provides a quick method of listing various items stored within the printer.

ITEM	ACTION	EXPLANATION
Configuration	Execute	Select execute to print out a configuration report.
Network	Execute	Scroll down to this parameter and select execute to print out Network information.
Demo Page Demo 1	Execute	Scroll down to this parameter and select execute to print out a demonstration page.
File List	Execute	Scroll down to this parameter and select execute to print out a list of job files. (displayed only if FileSystem is installed).
PS font List	Execute	Scroll down to this parameter and select execute to print out a Postscript emulation typeface list.
PCL font List	Execute	Scroll down to this parameter and select execute to print out a PCL font list.
IBM PPR Font List	Execute	Scroll down to this parameter and select execute to print out an IBM PPR font list (must be enabled in System Maintenance).
EPSON FX Font List	Execute	Scroll down to this parameter and select execute to print out an Epson FX emulation font list (must be enabled in System Maintenance).
Usage Report	Execute	Scroll down to this parameter and select execute to print out a list of color and mono pages printed.
Error Log	Execute	Scroll down to this parameter and select execute to print out the error log.
Color Profile List	Execute	Scroll down to this parameter and select execute to print out a list of color profiles.

PRINT SECURE JOB

*NOTE:
Only present if an optional Hard disk Drive (HDD) is fitted.*

ITEM	ACTION	EXPLANATION
Encrypted Job	Not Found Print Delete	<p>Used for printing an encrypted authentication print job (Encrypted Job) stored in HDD.</p> <p>After inputting a password, "Searching Job" is displayed until a job appropriate for the password is found. (Searching time increases in proportion to the number of jobs stored in HDD, and the printer may take up to 20 sec.)</p> <p>The search can be cancelled by holding down the Cancel button.</p> <p>Not Found will be displayed where a file, which could be printed is not available.</p> <p>The following message will appear if a printable file is available.</p> <p>Encrypted Job Print Delete</p> <p>A set of all jobs will be printed if Print is selected and the Enter button is pressed.</p> <p>The following message will appear if Delete is selected: Are You Sure? Yes No</p> <p>The display will return to the source menu if No is selected.</p> <p>All jobs will be deleted if Yes is selected.</p> <p>Print jobs with encrypted authentication stored in HDD are deleted by a delete method specified by the driver after printing or a delete instruction from the menu.</p>
Stored Job	Not Found Print Delete	<p>Used to print out a stored job in a HDD.</p> <p>Not Found will be displayed where a file, which could be printed is not available.</p> <p>The following message will appear if a printable file is available.</p> <p>Stored Job Print Delete</p> <p>When Print is selected, Set Collating Amount is displayed and the number of pages to print can be specified.</p> <p>Specify the number of pages to print and press the Enter button.</p> <p>The following message will appear if Delete is selected: Are You Sure? Yes No</p> <p>If No is selected, the display will return to the previous menu.</p> <p>If Yes is selected, all jobs will be deleted.</p>

MENUS

ITEM	ACTION	EXPLANATION
Tray Configuration	Paper feed Tray 1/MPT	Select tray (default condition indicated by *) Select by scroll and Enter button. <i>Note: Optional additional trays shown if fitted.</i>
	Auto Tray Switch On/Off	Switches Auto ON/OFF (default condition indicated by *). Select by scroll and Enter button.
	Tray Sequence Down/Up/Paperfeed	Selects Tray sequence Down/Up/Paper feed Tray (default condition indicated by *). Select by scroll and Enter button.
	Unit of Measurement Inch/ millimeter	Selects UOM Inches or millimeter (default condition indicated by *). Select by scroll and Enter button.
	Tray1 Configuration Default: Paper size: Cassette/Custom Media Type: Plain /Letterhead/ Bond/recycled/ Card stock/ Rough/Glossy/ *User type 1 - 5 Media Weight: Light /Medium Light/Medium/ Heavy	Configure Paper Size/Media Type/Media Weight . Defines default condition (indicated by *) Select by scroll and Enter button. *User type 1 to 5 are displayed only if registered in the host PC.
	Tray 2 Configuration (if fitted) Default: Paper size: Cassette/Custom Media Type: Plain /Letterhead/ Bond/recycled/ Card stock/ Rough/Glossy/ *User type 1 - 5 Media Weight: Light /Medium Light/Medium/ Heavy	Configure Paper Size/Media Type/Media Weight . Defines default condition (indicated by *) Select by scroll and Enter button. *User type 1 to 5 are displayed only if registered in the host PC.
	Tray 3 Configuration (if fitted) Default: Paper size: Cassette/Custom Media Type: Plain /Letterhead/ Bond/recycled/ Card stock/ Rough/Glossy/ *User type 1 - 5 Media Weight: Light /Medium Light/Medium/ Heavy	Configure Paper Size/Media Type/Media Weight . Defines default condition (indicated by *) Select by scroll and Enter button. *User type 1 to 5 are displayed only if registered in the host PC.

ITEM	ACTION	EXPLANATION
Tray Configuration (cont.)	<p>MPT Tray Configuration</p> <p>Paper size: A3/A4 SEF/A4 LEF A5/A6/B4/B5 SEF/ B5 LEF/Legal14/ Legal 13.5/ Legal13/Tabloid/ Letter SEF/Letter LEF/Executive Custom/ Com-10 Envelope DL Envelope/C5/C4</p> <p>Media Type: Plain/ Letterhead/ Transparency/ Labels/Bond/ Recycled/Card Stock/Rough/ Glossy/ *User type 1-5</p> <p>Media Weight: Light/Medium Light/Medium/ Heavy/ Ultra Heavy 1/ Ultra Heavy 2</p> <p>Tray usage: Do Not Use/ When Mismatching</p>	<p>Configure Paper Size/Media Type/Media Weight/Tray Usage. Defines default condition (indicated by *) Select by scroll and Enter button.</p> <p>*User type 1 to 5 are displayed only if registered in the host PC.</p> <p>Paper weight 189 ~ 220g/m² Sets MPTray usage. When Mismatching: if paper mismatch occurs, paper is requested from the MPTray instead of the specified tray. Do Not Use: sets MPTray unavailable both in Auto Tray Select and Auto Tray Switch.</p>

ITEM	ACTION	EXPLANATION
System Adjust	Power Save Time Default: 15	Select from 5/10/15/30/60/240 Minutes (default condition indicated by *). Select by scroll and Enter button.
	Clearable Warning Default: ONLINE	Select from: ONLINE/Job (default condition indicated by *). Select by scroll and Enter button. PS job only.
	Auto Continue Default: Off	Select from On/Off (default condition indicated by *). Select by scroll and Enter button.
	Manual Timeout Default: 60	Select from Off/30 seconds/60 seconds (default condition indicated by *). Select by scroll and Enter button.
	Wait Timeout Default: 40	Select from Off/5/10/20/30/40/50/60/90/120/150/180/210/240/270/300 seconds (default condition indicated by *). Select by scroll and Enter button.
	Low Toner Default: Continue	Select action to take when toner sensor indicates low toner. Select from Continue/Stop (default condition indicated by *). Select by scroll and Enter button.
	Jam Rcovery Default: On	Select from On/Off (default condition indicated by *). Select by scroll and Enter button.
	Error Report Default: Off	Select from On/Off (default condition indicated by *). Select by scroll and Enter button.
	Print Position Adjust Default: 0.00	Select from X Adjust/Y Adjust/ (default condition indicated by *). Select by scroll and Enter button. Define measurement.
	Paper Black Settings -2/-1/0/+1/+2 Default: 0	Used for fine adjustment of the black print on paper.
	Paper color Settings -2/-1/0/+1/+2 Default: 0	Used for fine adjustment of the color print on paper.
	Trans. Black Settings -2/-1/0/+1/+2 Default: 0	Used for fine adjustment of the black print on transparencies.
	Trans. color Settings -2/-1/0/+1/+2 Default: 0	Used for fine adjustment of the color print on transparencies.
	SMR Setting +3/+2/+1/-1/ -2/-3/ Default: 0	To correct variations in print results caused by temperature/humidity conditions and difference in print density/frequency. Change the setting when print quality is uneven.
BG Setting +3/+2/+1/-1/ -2/-3/ Default: 0	To correct variations in print results caused by temperature/humility conditions and difference in print density/frequency. Change the setting when background is dark.	

ITEM	ACTION	EXPLANATION
System Adjust (cont.)	Drum Cleaning	Sets whether to rotate the drum in idle prior to printing in order to reduce horizontal white lines. Be warned that this will shorten the ID life by as much as this rotation (default condition indicated by *). Select by scroll and Enter button.
	Default: Off	
	Hex Dump Execute	Prints out data received from the host PC in the hexadecimal Dump. Turning off the power supply switch restores Normal Mode.

SHUTDOWN MENU

This menu only appears if the hard disk drive is installed.

This item should always be selected before switching the printer off, to ensure that no hard disk data is lost.

If using the Operator panel button instead, keep pressed for approximately 5 seconds

ITEM	SETTINGS	EXPLANATION
Shutdown Start	Execute	Performs controlled shutdown of the printer, ensuring that all files on the internal hard disk are closed before power is turned off. Only power the printer off when the display indicates that shutdown is complete.

ADMIN SETUP

ITEM		SETTINGS	EXPLANATION
Enter Password		xxxxxxxxxxxx	Enter a password to gain entry to the Admin Setup menu. Password should be from 6 to 12 digits of alpha/numeric characters (or mix) The default value is "aaaaaa"
Network Setup	TCP/IP	Enable Disable	Sets TCP/IP Protocol. Enable: TCP/IP Protocol is available. Disable: TCP/IP Protocol is not available.
	IP Version	IP v4 IP v4+v6	Set up the IP version. Operates with IPv4 for IPv4 (not valid with IPv6). Operates with both IPv4 and IPv6
	NetBEUI	Enable Disable	Sets Enable/Disable of NETBEUI Protocol.
	NetWare	Enable Disable	Sets Enable/Disable of NetWare Protocol.
	EtherTalk	Enable Disable	Sets Enable/Disable of EtherTalk Protocol.
	Frame Type	Auto 802.2 802.3 Ethernet II SNAP	Sets the frame type. Netware should be enabled.
	TypeIP Address Set	Auto Manual	Sets the IP Address setting method. TCP/IP should be enabled.
	IP Address	xxx.xxx.xxx.xxx	Sets the IP Address. TCP/IP should be enabled.
	Subnet Mask	xxx.xxx.xxx.xxx	Sets the Subnet Mask. TCP/IP should be enabled.
	Gateway Address	xxx.xxx.xxx.xxx	Sets the Gateway (default router) address. 0.0.0.0 means that there is no router. TCP/IP should be enabled.
	Web	Enable Disable	Sets Enable/Disable of Web. Enable: Web/IPP is available. Disable: Web/IPP is not available. TCP/IP should be enabled.
	Telnet	Enable Disable	Sets Enable/Disable of Telnet. Enable: Telnet is available. Disable: Telnet is not available. TCP/IP should be enabled.
FTP	Enable Disable	Sets Enable/Disable of FTP. Enable: FTP is available. Disable: FTP is not available. TCP/IP should be enabled.	

ITEM		SETTINGS	EXPLANATION
Network Setup (cont.)	SNMP	Enable Disable	Sets Enable/Disable of SNMP. Enable: SNMP is available. Disable: SNMP is not available. TCP/IP or NetWare should be enabled.
	Network Scale	Normal Small	When Normal is selected, the network can work effectively even when it is connected to a HUB that has a spanning tree feature. However, printer start up time gets longer when computers are connected with two or three small LANs. When Small is selected, computers can cover from two or three small LANs to a large LAN, but may not work effectively when the network is connected to a HUB with a spanning tree feature.
	Hub Link Setting	Auto Negotiate 100Base-TX Full 100Base-TX Half 10Base-T Full 10Base-T Half	Sets a method to link to a HUB. When Auto is set, a connection method to a HUB is selected automatically.
	Factory Defaults?	Execute	Specifies whether to initialize the network factory default settings for the Network.
Print Setup	Personality	Auto PostScript PCL IBM PPR EPSON FX	Selects a printer language.
	Copies	1 - 999	Selects the default number of copies.
	Duplex	On/Off	Specifies Duplex print (option) if a Duplex unit is installed and enabled
	Binding	Long Edge Short Edge	Specifies Binding in duplex printing (if a Duplex unit is installed and enabled)
	Media Check	Enable Disable	Sets whether the printer checks the matching of printed data size and that of the tray. Only standard sizes are checked.
	Resolution	600dpi 600x1200dpi 600dpi multi-level.	Sets default resolution.
	Toner Save Mode	On/Off	This function works effectively only if the data input is color RGB data. This setting is valid in PS and PCL, but does not take effect in the following cases. (1) PS: If Color Matching is set OFF. (2) PS: If any setting other than ASIC Color Matching is set. (3) PS: CMYK data when Ink Simulation Mode is used (valid in any other cases except Case (1) and Case (2) above as long as data is RGB). (4) PCL binary data (Color/Monochrome).

ITEM		SETTINGS	EXPLANATION
Print Setup (cont.)	Mono-Print Speed	Auto Mono 32ppm Color Speed Mixed Speed	Sets the monochrome print speed. Prints at the most appropriate speed for page process if Auto is set. Prints always at the color print speed if Color is set. Prints always at the monochrome print speed if Normal is set. Prints always at 26ppm of the gradation print speed for both color and monochrome print if High Quality is set.
	Default Orientation	Portrait Landscape	Specifies print orientation. Not valid for PS (valid only for PCL/ IBMPPR/EPSONFX/ HP-GL2).
	Form Length	5 lines ~ 64 lines ~ 128 lines	Sets the number of lines that can be printed on a page Not valid for PS (valid only for PCL/HP-GL2). Default values listed to the left are for Letter/A4. In practice, however, they change according to the size of paper loaded in the tray.
	Edit Size	Cassette Size/ A3/A4 Short Edge/A4 Long Edge/A5/A6/B4/ B5 Short Edge/ B5 Longt Edge/ Legal14/ Legal13.5/ Legal13/Tabloid/ Letter Short Edge/Letter Long Edge/ Executive/ Custom/Com-10 Envelope/DL Envelope/C5/C4/	Sets the size of an area to draw when the host PC does not specify the size via the paper edit size designating command (Not valid for PS - only for PCL).
	X Dimension	64 mm ~ 210 mm ~ 297 mm	Specifies paper width of Custom paper as a default value. Sets a paper size at right angles to the paper run direction.
	Y Dimension	105 mm ~ 297 mm ~ 1321 mm	Specifies paper length of Custom paper as a default value. Sets a paper size in the same direction as the paper run direction.
	PS Setup	Network Protocol	ASCII/ RAW
Parallel Protocol		ASCII /RAW	Specifies PS communication protocol mode of data from Centronics port. (In RAW mode, Ctrl-T is invalid). PS models only.
USB Protocol		ASCII/ RAW	Specifies PS communication protocol mode of data from USB port. (In RAW mode, Ctrl-T is invalid). PS models only.

ITEM		SETTINGS	EXPLANATION
PCL Setup	Font Source	Resident	Specifies the location of PCL default font.
	Font Number	10 ~ I90	Sets the PCL font number. The valid range of this variable changes depending on the FONT SOURCE setting at the time. If the default font is set for FONT SOURCE, the number starts at 0. If it is not, the number starts at 1. The maximum value is equal to the number of fonts installed in FONT SOURCE.
	Font Pitch	99.9 CPI ~ 10.00 CPI ~ 0.44 CPI	Width of the PCL default font in characters per inch (CPI). Default font is fixed-pitch, scalable font. The value of pitch is displayed down to the second decimal place. Displayed only when the font selected in Font No. is a fixed-spacing, scalable font.
	Symbol Set	PC-8	Sets the symbol set of PCL (see machine operator panel for complete list).
	A4 Print Width	78 column 80 column	Sets the number of characters for A4 paper. Auto LF. This is for 10-CPI characters when Auto CR/LF Mode is set to OFF. This menu is enabled only when A4 paper is selected in the menu that sets the print width of A4 paper in portrait orientation. Usually, such A4 paper print width is set slightly narrower than 8 inches (about 7.93 inches). This setting cannot print 80 10-cpi characters (only prints up to 78 10-cpi characters). 80 characters set at A4 Print Width widen the right and left margins. A PCL command selects or selects/deselects Auto CR/LF mode.
	White Page skip	On/ Off	Sets whether to eject a page without any data to print (blank page) upon reception of FF command (OCH) in PCL Mode. OFF: Ejecting.
	CR Function	CR/CR+LF	Sets action when CR code is received in PCL. CR: Carriage Return CR+LF: Carriage Return and Line Feed
	LF Function	LF/LF+CR	Sets action when LF code is received in PCL. LF: Line Feed LF+CR: Line Feed and Carriage Return
	Print Margin	Normal 1/5 inch 1/6 inch	Sets a non-printable area of paper. The width of the area along the right and left sides of paper (left and right sides depend on paper orientation). NORMAL: PCL emulation compatible, approximately 1/4~1/4.3INCH (depending on paper) is outside the printable area.

ITEM		SETTINGS	EXPLANATION
PCL Setup (cont.)	True Black	On/Off	Sets whether to use Composite Black (cmyk mixed) or Pure Black (K only) for the black (100%) in image data. OFF: Mode using Composite Black ON: Mode using Pure Black (PCL only)
	Pen Width Adjust	On/Off	When minimum width is specified in PCL, sometimes a 1-dot line, looks broken. With PEN WIDTH Adjust set to ON, when the minimum width is specified, the line width will be emphasized so as to look wider than a 1-dot line. With PEN WIDTH Adjust set to OFF, the line will appear as before.
	Tray 2 ID#	1 ~ 5 ~ 59	Sets the # to specify Tray 2 for the paper feed destination command (ESC&I#H) in PCL5e emulation. (Displayed only if Tray 2 is installed).
	Tray 3 ID#	1 ~ 20 ~ 59	Sets the # to specify Tray 3 for the paper feed destination command (ESC&I#H) in PCL5e emulation. (Displayed only if Tray 3 is installed).
	MPTray ID#	1 ~ 4 ~ 59	Sets the # to specify the MP tray for the paper feed destination command (ESC&I#H) in PCL5e emulation.

ITEM		SETTINGS	EXPLANATION
IBM PPR Setup	Character Pitch	10 CPI 12 CPI 17 CPI 20 CPI Proportional	Specifies character pitch in IBM PPR emulation.
	Font Condense	12CPI to 20CPI 12CPI to 12CPI	Specifies 12CPI pitch for Condense Mode.
	Character Set	SET-2 SET-1	Sets a character set.
	Symbol Set	IBM 437	Sets the Symbol Set for IBM PPR (see machine operator panel for complete list).
	Letter O Style	Enable/ Disable	Specifies the style that replaces ø (9B) and ¥ (9D) with ø (ou) and Ø (zero).
	Zero Character	Normal /Slashed	Specifies the style of 0(zero). SLASHED: SLASH ZERO
	Line Pitch	6/8 LPI	Sets line space.
	White Page Skip	On/ Off	Sets whether to eject a blank sheet. Available only when simplex is set.
	CR Function	CR /CR+LF	Sets action when CR code is received.
	LF Function	LF /LF+CR	Sets action when LF code is received.
	Line Length	80 /136 Column	Specifies the number of characters per line.
	Form Length	11/ 11.7 /12 inch	Specifies the length of paper.
	TOF Position	0.0 /0.1/~1.0 inch	Sets the position from the top edge of paper.
	Left Margin	0.0 /0.1/~1.0 inch	Sets the amount to shift the horizontal print start position to the right.
	Fit to Letter	Enable/ Disable	Sets the printing mode that can fit print data, equivalent to 11 inches (66 lines), in the LETTER-size printable area.
Text Height	Same /Diff	Sets height of a character. SAME: Regardless of CPI, same height DIFF: According to CPI, character heights vary.	
	Continuous Paper Mode	On/ Off	Sets printer for using continous feed stationary.

ITEM		SETTINGS	EXPLANATION
EPSON FX Setup	Character Pitch	10 CPI /12 CPI/ 17 CPI 20 CPI/ Proportional	Specifies character pitch in Epson FX emulation.
	Character Set	SET-2 SET-1	Sets a character set.
	Symbol Set	IBM 437	Sets the Symbol Set for Epson FX Emulation. (see machine operator panel for complete list).
	Letter O Style	Enable/ Disable	Specifies the style that replaces ø (9B) and ¥ (9D) with ø (ou) and Ø (zero).
	Zero Character	Normal /Slashed	Specifies the style of 0(zero). SLASHED: SLASH ZERO
	Line Pitch	6/8 LPI	Sets line space.
	White Page Skip	On/ Off	Sets whether to eject a blank sheet. Available only when simplex is set.
	CR Function	CR /CR+LF	Sets action when CR code is received.
	Line Length	80 /136 Column	Specifies the number of characters per line.
	Form Length	11/ 11.7 /12 inch	Specifies the length of paper.
	TOF Position	0.0 /0.1/~1.0 inch	Sets the position from the top edge of paper.
	Left Margin	0.0 /0.1/~1.0 inch	Sets the amount to shift the horizontal print start position to the right.
	Fit to Letter	Enable/ Disable	Sets the printing mode that can fit print data, equivalent to 11 inches (66 lines), in the LETTER-size printable area.
	Text Height	Same /Diff	Sets height of a character. SAME: Regardless of CPI, same height DIFF: According to CPI, character heights vary.
Continuous Paper Mode	On/ Off	Sets printer for using continuous feed stationary.	

ITEM		SETTINGS	EXPLANATION
Color Setup	Ink Simulation	Off SWOP Euroscale Japan	The machine has its own process simulation engine which simulates standard colors in the printer. This function is available only with PS language jobs.
	UCR	Low Medium High	Selects limitation to the toner layer thickness. If paper curl occurs in dark printing, selecting MEDIUM or LIGHT sometimes helps reduce this curl. UCR = Under Color Removal.
	CMY 100% Density	Enable/ Disable	Enable/Disable 100% output against the CMY100% TRC compensation. Ordinarily, the TRC compensation function holds control for the appropriate print density; thus 100% output is not always possible. Selecting ENABLE will enable 100% output in any individual color. The actual print, including the TRC compensation function is limited to an appropriate area. This function is for special purposes such as specification in CMYK color reduction in PS.
	CMYK Conversion	On/Off	Setting to "OFF" will simplify the conversion process of CMYK data, which will reduce the processing time. This setting is ignored when Ink Simulation function is used. PS only
Memory Setup	Receive Buffer Size	Auto 0.5 megabyte 1 megabyte 2 megabyte 4 megabyte 8 megabyte 16 megabyte	Sets the size of receive buffer
	Resource Save	Auto Off 0.5 megabyte 1 megabyte 2 megabyte 4 megabyte 8 megabyte 16 megabyte	Sets the size of resource saving area.

ITEM		SETTINGS	EXPLANATION
HDD Setup	This item is displayed only if a HDD (option) is installed.		
	Initialize	Execute	<p>Initializes the HDD to the factory default setting. Machine performs partition-division, and initializes each partition. When this menu is executed, the following confirmation message appears.</p> <p>Are You Sure? Yes/No</p> <p>If No is selected, you will return to the previous menu.</p> <p>If Yes is selected, the following confirmation message appears.</p> <p>Execute Now? Yes/No</p> <p>If No is selected, you will return to the previous menu.</p> <p>The request to execute HDD initialization is put into the memory and initialization will be executed at the next power cycle.</p> <p>If Yes is selected, shutdown takes place, and the HDD is initialized at power Off/On cycle.</p>

ITEM		SETTINGS	EXPLANATION
HDD Setup (cont.)	Resize Partition	PCL nn%/ Common mm%/ PSll%/<Apply>	<p>Specifies the size of partition. Specifies a size by ratio to the whole HDD in % (1% unit). nn,mm,ll: 1 - 98 and nn+mm+ll=100</p> <p>The sizes are displayed in the partition list and can be changed by selecting the partition size to be changed. If Apply is selected, the following confirmation message appears.</p> <p>Are You Sure? Yes/No</p> <p>If No is selected, you will return to the previous menu.</p> <p>If Yes is selected, the following confirmation message appears.</p> <p>Execute Now? Yes/No</p> <p>If No is selected, you will return to the previous menu.</p> <p>The request to execute the partition size change request is put into the memory and the hard disk initialization and partition size change will be executed at next power cycle.</p> <p>If Yes is selected, shutdown takes place. Hard disk initialization and partition size change will be executed at Power Off/On cycle. (If one partition size is modified, the others are also modified.) If any partition size is modified, Initialization of HDD needs to be executed as well.</p> <p>If a previously used HDD is installed, HDD initialization also takes place. If a HDD, which has been used before, is installed, the layout of this menu may be different from that of each partition. (The previously used layout will be displayed.)</p> <p>In Non-PS machines, PS is replaced by COMMON, so the message is displayed as "PCL/COMMON/COMMON".</p>
	Format Partition	PCL Common PS	<p>Formats a specified partition.</p> <p>When the Enter button is pressed, the following confirmation message appears.</p> <p>Are You Sure? Yes/No</p> <p>If No is selected, you will return to the previous menu.</p> <p>If Yes is selected, the following confirmation message appears.</p> <p>Execute Now? Yes/No</p> <p>If No is selected, you will return to the previous menu.</p> <p>The request to execute partition formatting is put into the memory and formatting will be executed at next power cycle.</p> <p>If Yes is selected, shutdown takes place and the partition is formatted at power Off/On cycle.</p> <p>In Non-PS machines, PS is replaced by Common, so the message is displayed as "PCL/Common/Common".</p>
System Setup	Near Life Status	Enable/Disable	<p>Sets the LCD display control when near life warning of a drum, fuser or transfer belt occurs.</p> <p>ATTENTION LED is lit if ENABLED</p>
	Near Life LED	Enable/Disable	<p>Controls the settings of the Attention LED when near end of life warning of toner, drum, fuser, or belt occurs.</p> <p>Attention LED is lit when enabled, not lit if disabled. (Displays LCD message.)</p> <p>The temporary recovery by opening and closing of the cover in Life error is not included.</p>

ITEM		SETTINGS	EXPLANATION
Change Password	New Password	xxxxxxxxxxxxxx	Sets a new password to enter Admin Setup menu From 6 to 12 alpha/numeric digits can be entered.
	Verify password	xxxxxxxxxxxxxx	Forces the User to input the new password to enter Admin Setup. From 6 to 12 alpha/numeric digits can be entered.
Settings	Reset Settings	Execute	Resets EEPROM of CU. Resets User menu to the factory default. If Execute is selected, exits from the menu.
	Save Settings	Execute	Saves menus currently set. With this function, the menus with which operation was last performed are saved, and overwrites with them menus that were previously saved. When the Enter button is pressed, the following confirmation message appears. Are You Sure? Yes/No When No is selected, the preceding menus are restored. When Yes is selected, the current menu settings are saved and this menu is exited.

CALIBRATION

ITEM		SETTINGS	EXPLANATION
Auto Density Mode		On/Off	Enables/disables automatic density adjustment.
Adjust Density		Execute	If Execute is selected, the printer will immediately adjust density and reflect it in TRC compensation. This adjustment must be executed when the printer is idling. It can become invalid if executed in any other state.
Adjust Registration		Execute	When this menu is selected, the printer performs AutoAdjust Registration. This adjustment must be executed when the printer is idling.
Print Tuning Pattern		Execute	Prints the pattern for the user to adjust TRC. Ordinarily, this function is not needed because TRC is automatically adjusted to the recommended levels through density adjustment and TRC compensation. Adjustment results will be reflected as offset values (addition) to the corrections through the Adjust Density/TRC Compensation function.
Cyan/Magenta/ Yellow/Black Tuning	Highlight	-3,-2,-1, 0,+1,+2,+3,	Adjusts HIGHLIGHT (light area) of the TRC. + = Darker - = Lighter
	Mid-Tone	-3,-2,-1, 0,+1,+2,+3,	Adjusts MID-TONE area of the TRC. + = Darker - = Lighter
	Dark	-3,-2,-1, 0,+1,+2,+3,	Adjusts DARK area of the TRC. + = Darker - = Lighter
Cyan/Magenta/ Yellow/Black Darkness		-3,-2,-1, 0,+1,+2,+3,	Adjusts the engine density. The Darkness settings for each of CMYK will be reflected as offset values (addition) to the corrections through the Adjust Density/TRC Compensation function.

ADMINISTRATOR (BOOT) MENU

This menu is only accessible to System Administrators. In order to gain access to this menu, follow the instructions in ["How to change the settings - Administrator" on page 34](#)

This menu is in ENGLISH only (default settings in bold type).

Parallel Setup

This menu controls the operation of the printer's Parallel data interface.

ITEM	SETTINGS	EXPLANATION
Enter Password	xxxxxxxxxxxx	Enter a password to gain entry to the Admin menu. Password should be from 6 to 12 digits of alpha/numeric characters (or mix) The default value is "aaaaaa" The printer will restart after the Boot Menu.
Parallel	Enable / Disable	Enables or disables the parallel port.
Bi-direction	Enable / Disable	ENABLE/DISABLE the bi-directional capability of the parallel interface.
ECP	Enable / Disable	Extended Capabilities Port, enables/disables this function.
ACK Width	Narrow / Medium/ Wide	Sets ACK width for compatible reception. = 0.5µs = 1.0µs = 3.0µs
ACK / Busy Timing	Ack In Busy / Ack While Busy	Sets the order to output the BUSY and ACK signal for compatible reception.
I-prime	Disable / 3µsec/50µsec	Sets time to enable/disable I-prime signal
Offline Receive	Enable / Disable	To Enable/disable of this function. When set to Enable, the interface retains a receive possible state even when switching to Offline. Interface sends the BUSY signal only when the receive buffer is full or a service call occurs.

USB Setup

This menu controls the operation of the printer's USB data interface.

ITEM	SETTINGS	EXPLANATION
USB	Enable / Disable	ENABLES / DISABLES the USB port.
Speed	12 / 480 Mbps	Selects the interface speed. After setting change the menu, the printer restarts on exit.
Soft Reset	Enable / Disable	Enables or disables the SOFT RESET command.
Offline Receive	Enable / Disable	OFFLINE RECEIVE.
Serial Number	Enable / Disable	Specifies whether to ENABLE or DISABLE a USB serial number. The USB serial number is used to identify the USB device connected to your PC.

When you have changed any settings in the USB MENU, turn the printer **OFF**, then **ON** again.

Security Setup

Only available when a Hard Disk (option) is fitted.

ITEM	SETTINGS	EXPLANATION
Job Limitations	Off Encrypted Job	Job limitation mode control. Jobs other than specified ones are rejected.
Reset Cipher Key	Execute	Resets a cipher key to be used on an encrypted hard disk. When this processing is done, all data stored on the hard disk cannot be restored. After execution, the following confirmation messages will appear. Are You Sure? Yes No If No is selected, the display will return to the previous menu. If Yes is selected, the printer will be automatically rebooted and the resetting of the cipher key will be executed.

Storage System

Only available when a Hard Disk (option) is fitted.

ITEM	SETTINGS	EXPLANATION
Check File System	Execute	Resolves mismatch between actual memory and displayed memory available in a file system. Performs administration data (FAT information) recovery. Performs recovery only for an HDD.
Check All Sectors	Execute	Performs recovery of defective HDD sector information and a file system mismatch mentioned above. The target device is only a HDD and it takes 30 to 40 minutes to complete this function for an HDD of 10GB.
Enable HDD	Yes No	Even if a machine is inoperable at installation because of a faulty HDD, the machine can be made operable by setting this parameter to No (ignores the existence of the HDD). When No is set, access to a HDD results in FAIL because the HDD is regarded as not attached. After setting change and exit from the menu, the printer will restart.

ITEM	SETTINGS	EXPLANATION
Erase HDD	Execute	<p>Deletion of all data stored in the hard disk. DoD 5220.22-M sanitizing formula is used for clearing the desk. The machine will restart after changing setup. The following message appears after pressing the Enter switch.</p> <p>Are You Sure? Yes No If NO is selected, you will be returned to the source menu If Yes is selected the procedure for clearing disk will start immediately after the machine reboots. If the Cancel button is held down during erasing, the following confirmation messages will appear to discontinue processing.</p> <p>Do You Wish to Cancel? Yes No If NO is selected, the procedure will continue. If YES is selected, the procedure will discontinue.</p>
Enable initialization	No Yes	Prevents a setting change accompanying initialization of Block Device (HDD,FLASH).

Storage Setup

ITEM	SETTINGS	EXPLANATION
Enable initialisation	Yes /No	

Power Setup

ITEM	SETTINGS	EXPLANATION
Peak Power Control	Normal /low	
Power Save	Enable Disable	Sets Enable/Disable of Power Save Mode.
USB Host Power	Off /On	

Language Setup

ITEM	SETTINGS	EXPLANATION
Language initialize	Execute	Initialises the message file loaded in FLASH. When you press the Enter button, the following message, requesting confirmation, will appear, Are You Sure? Yes No If NO is selected, you will be returned to the source menu. The procedure for clearing the disk will start immediately after the menu and rebooting.

PRINT STATISTICS MENU

This menu is only accessible to System Administrators. In order to gain access to this menu, follow the instructions in ["How to change the settings - Administrator"](#) on page 34, but hold down the **Menu** button instead of the **Enter** button.

This menu is in **ENGLISH** only (default settings in bold type).

ITEM	SETTINGS	EXPLANATION
Enter Password	XXXX	Enters a password to enter Print Statistics menu. The default value is "0000". The password for entry to Print Statistics is different from the password for entry to Functions-Admin Setup. "Print Statistics" category is not shown when Print Statistics function is not supported.
Usage Report	Enable /Disable	Enables/Disables the printing of the Usage Report. When changing a setting value, the printer is rebooted.
Group Counter	Enable/ Disable	Specifies if the Group counter is displayed in the Usage Report Print. Enable : Displayed, Disable : Not displayed. Conditions for display: Enable must be selected in Functions/Print Statistics/ Usage Report.

ITEM	SETTINGS	EXPLANATION
Supplies Report	Enable /Disable	Enables/disables the Supplies Report. Enable must be selected in Functions/Print Statistics/Usage Report.
Reset Main Counter	Execute	Resets the main counter to zero. When executing this menu, resets the main counter to zero and exits from the menu. Enable must be selected in Functions/Print Statistics/Usage Report.
Reset Supplies Counter	Execute	Resets the Supplies counter to zero.
Change Password New Password Verify Password		Changes the password. Enable must be selected in Functions/Print Statistics/Usage Report
	xxxx	Sets a new password to enter Print Statistics menu.
	xxxx	Re-enter new password set to enter Print Statistics set in New Password for confirmation.

OVERLAYS AND MACROS (WINDOWS)

WHAT ARE OVERLAYS AND MACROS?

If you would like to print on special stationery, such as forms and letterhead, but do not want to use pre-printed stationery, you can create your own using these advanced features.

You can use PostScript overlays to generate all your special stationery and store it in the printer for use whenever you need it. If you have chosen to install the PCL driver, macros perform a similar function.

You can create several overlays or macros, and combine them in any way you like to produce a variety of forms and other special stationery. Each image can be printed on just the first page of a document, on all pages, on alternate pages, or just the pages that you specify.

CREATING POSTSCRIPT OVERLAYS

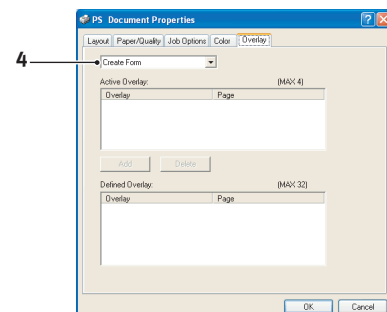
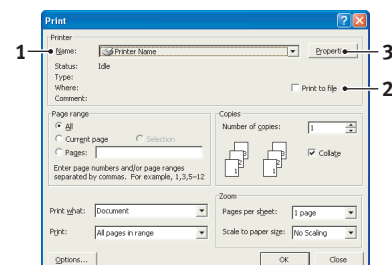
Three steps are required to create an overlay:

1. Create the form data using your own application software and print it to a printer (.PRN) file.
2. Use the Storage Device Manager utility software supplied on CD with your printer to create a "project file," import the .PRN file(s), and download the generated filter (.HST) file to the printer. The project file will contain one or more overlay images which are functionally related, such as the cover page and the continuation page images for business letters.
3. Use downloaded files to define your overlays ready for use when printing your documents.

When printing overlay files to disk, do not select any special features, such as two-sided printing or multiple copies. These are not appropriate to overlays, they apply only to your final documents.

CREATING THE OVERLAY IMAGE

1. Use your preferred application, perhaps a graphics program, to create the required overlay image and save it.
2. Open your application's **Print...** dialogue.
3. Make sure that the selected printer name (1) is that of your PostScript printer driver.
4. Select the **Print To File** (2) option.
5. Click the **Properties** button (3) to open the Document Properties window.
6. On the Overlay tab, choose **Create Form** from the drop-down list (4).
7. Click **OK** to close the Document Properties window.
8. Click **OK** again to close the Print dialogue.
9. When prompted for a print file name, enter a meaningful name with the extension.PRN.
10. Close your application.



CREATE AND DOWNLOAD THE PROJECT

1. From the Windows **Start** menu, start **Storage Device Manager** (SDM) and allow SDM to discover the printer.
2. Choose **Printers**→**New Project**.
3. Choose **Printers**→**Add File to Project**.
4. Set the **Files of Type** drop-down list to **PRN Files(*.prn)**.
5. Navigate to the folder where the .PRN files are stored and select one or more of these to include in your overlay set.

You can have more than one printer (.PRN) file in a project. For example, one for top pages and another for continuation pages. Use standard Windows techniques (Shift or Ctrl keys) to select multiple files simultaneously if you need to.

6. Click **Open** to add these files to the current project.
7. When a message box appears confirming that a filter file has been created, click **OK** to clear the message.
8. The project window will display one .HST file for each printer file added. Make a careful note of each of these names. Ensure that you note them *exactly* as they appear, they are case sensitive, and you will need them later.
9. Choose **Projects**→**Save Project** and enter a meaningful name (e.g. "Letter Stationery") so that you can recognize it later if you want to modify it.
10. Choose **Projects**→**Send Project Files to Printer** to download the project to the printer.

If you have a hard disk in the printer, SDM will automatically download files to it. If not, SDM will download files to flash memory. If you have a hard disk but still prefer to download to flash memory, double-click the file name in the Project window and under **Volume**, type in **%Flash0%** and then click **OK**.

11. When the message "Command Issued" appears confirming that the download is complete, click **OK** to clear the message.

TEST PRINTING THE OVERLAY

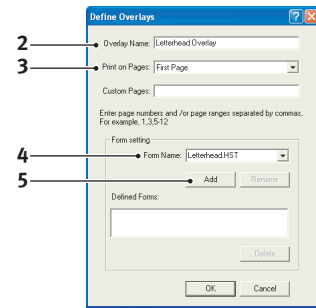
1. Click on the printer icon for the relevant printer and choose **Printers**→**Test Form**.
2. In the Test PostScript Form window, to test each overlay select it and click **OK**. There will be a short pause while the printer processes the form, and then it will print.
3. When each overlay has been tested, click **Exit**.
4. Click the standard Windows **Close (X)** button, or choose **Projects**→**Exit** to close Storage Device Manager.

DEFINING OVERLAYS

This is the final step before the new overlays are ready for use.

1. Open the Printers (called "Printers and Faxes" in Windows XP) window via the **Start** menu or the Windows Control Panel.
2. Right-click on the Relevant PostScript printer icon and choose **Printing Preferences** from the pop-up menu.
3. On the **Overlay** tab, click the **New** button.

- In the **Define Overlays** window, enter a suitable name (2) for this overlay and choose which page(s) (3) of your documents will use this overlay.
- Enter the name of the overlay file (4) *exactly* as it appeared in the Storage Device Manager project window. Remember that this name is case sensitive.



If you forgot to note the overlay names when you created them, you can find them using Storage Device Manager to view the project file, or the printer's Information Menu to print a file list and identify them from there.

- Click **Add** (5) to add this overlay into the defined overlays list.
- Click **OK** to close the Define Overlay window.

The new overlay now appears in the Defined Overlays list in the printer properties window.

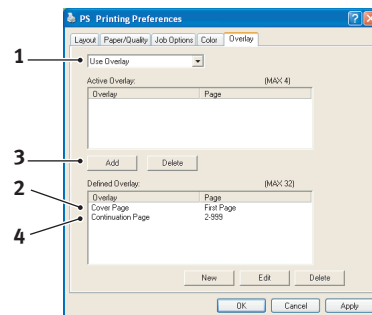
- Repeat the above procedure if you wish to define more overlays.
- When done, click **OK** to close the printer properties window.

Your new overlays are now ready and available to be used for any future documents you wish.

PRINTING WITH POSTSCRIPT OVERLAYS

Once you have defined your overlays you are ready to use them for any documents you wish. The example illustrated here uses two overlays for business letters. The first prints on just the top page, and the second prints on any or all subsequent pages.

- Prepare your document in the normal way using your own application software. Remember, if necessary, to format the document so that it will fit within the appropriate space.
- Open your application's **Print...** dialogue and choose any options you will require, ensuring that the target printer is your PostScript printer driver in which the overlays have been defined.
- Click the **Properties** button to open the Printing Preferences window.
- On the Overlays tab, choose **Use Overlay** from the drop-down list (1).
- Click on the first overlay (2) you wish to use. In this example it is the Cover Page overlay. Then click the **Add** button (3).
- If you want to use another overlay, in this case it is the Continuation page, click the second overlay (4) and then click the **Add** button (3) again.
- When you have selected all the overlays you want to use for this document, click **OK**.
- Finally, in your application's print dialogue, click **OK** to begin printing.



CREATING PCL OVERLAYS

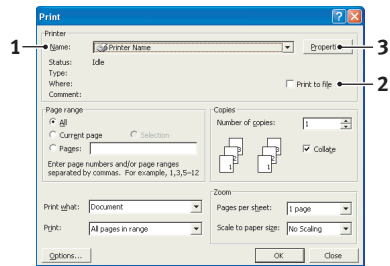
Three steps are required to create an overlay:

- Create the form data using your own application software and print it to a printer (.PRN) file.

2. Use the Storage Device Manager utility software supplied on CD with your printer to create a "project file," import the .PRN file, and download the generated filter (.BIN) files to the printer.
3. Use downloaded files to define your overlay ready for use with any future document.
When printing files to disk, do not select any special features, such as two-sided printing or multiple copies. These are not appropriate to macros, they apply only to your final documents.

CREATING THE OVERLAY IMAGE

1. Use your preferred application, perhaps a graphics program, to create the required image and save it.
2. Open your application's **Print...** dialogue.
3. Make sure that the selected printer name (1) is that of your PCL printer driver.
4. Select the **Print To File** (2) option.
5. When prompted for a print file name, enter a meaningful name with the extension .PRN .
6. Close your application.



CREATE AND DOWNLOAD MACROS

1. From the Windows **Start** menu, start **Storage Device Manager** (SDM) and allow SDM to discover the printer.
2. Choose **Printers**→**New Project** to start a new project.
3. Choose **Printers**→**Filter Macro File**. The Filter Printer Patterns dialogue box appears. Make any adjustments in the settings that you need and then click **OK**.

Example: If you create a black oval in MS Paint and leave all the color command filters checked, the black oval will print as a black rectangle when the overlay is used. To maintain the oval shape, turn off (deselect) the "Configure Image Data," "Palette ID" and "Palette Control" filters.

4. Set the **Files of Type** drop-down list to **PRN Files (*.prn)**.
5. Navigate to the folder where the overlay .PRN files are stored and select one or more of these to include in your overlay set.

You can have more than one macro file in a project. For example, one for top pages and another for continuation pages. Use standard Windows techniques (Shift or Ctrl keys) to select multiple files simultaneously if you need to.

6. Click **Open** to add these files to the current project. (You can also drag and drop files from Windows Explorer directly into the project window if you prefer.) When a message box appears confirming that a filter file has been created, click **OK** to clear the message.
7. The project window will display one .BIN file for each printer file added. Make a careful note of the name and ID number for each of the files. You will need them later.

If you wish to edit the names or ID numbers, double-click the file entry and edit the details. **Volume** details are as follows:

- 0** = printer's disk drive PCL partition;
- 1** = printer's disk drive Common partition;
- %disk0%** = printer's disk drive PostScript partition;
- 2** = flash memory PCL
- %Flash0%** = flash memory PostScript

Note that the names are case sensitive, and will be needed later *exactly* as they appear in this list.

8. Choose **Projects**→**Save Project** and enter a meaningful name (e.g. "Letter Stationery") so that you can recognize it.
9. Choose **Projects**→**Send Project Files to Printer** to download the project to the printer.
10. When the message "Command Issued" appears confirming that the download is complete, click **OK** to clear the message.

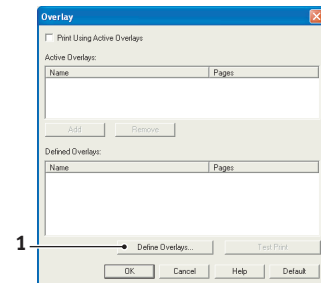
TEST PRINTING THE MACRO

1. Choose **Printers**→**Test Macro**.
2. In the Test Macro window, enter its ID number and click **OK**. After a short pause the printer will print the macro.
3. When each macro has been tested, click **Exit**.
4. Click the standard Windows **Close (X)** button, or choose **Projects**→**Exit** to close Storage Device Manager.

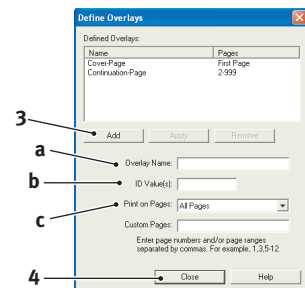
DEFINING OVERLAYS

This is the final step before the new overlays are ready for use.

1. Open the Printers (called "Printers and Faxes" in Windows XP) window via the **Start** menu or the Windows Control Panel.
2. Right-click on the Relevant PostScript printer icon and choose **Printing Preferences** from the pop-up menu.
3. On the Job Options tab, click the **Overlay** button.
4. In the Overlay window, Click the **Define Overlays** button (1).



5. In the Define Overlays window, enter the **name** (a) and **ID** (b) of the required overlay, and define which **page(s)** (c) of your documents will use this overlay. Then click the **Add** button (3) to add this overlay to the list of defined overlays. Repeat for any other related overlays. When done, click the **Close** button (4) to close the window.



The example illustrated shows two overlays defined, one for a cover page and one for continuation pages.

Remember that names and IDs of overlay files must be entered *exactly* as they appeared in the Storage Device Manager project window. Remember also that names are case sensitive.

If you forgot to note the overlay name or ID when you created them, you can find them using Storage Device Manager to view the project file, or the printer's Information Menu to print a file list and identify them from there.

The new overlays will now appear in the Defined Overlays list in the printer properties window.

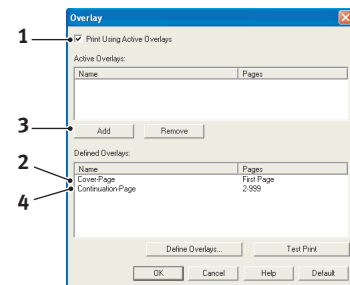
6. When done, click **OK** to close the printing preferences window.

Your new overlays are now ready and available to be used for any future documents you wish.

PRINTING WITH PCL OVERLAYS

Once you have defined your overlays you are ready to use them for any documents you wish. The example illustrated here uses two overlays for business letters. The first prints on just the top page, and the second prints on any or all subsequent pages.

1. Prepare your document in the normal way using your own application software. Remember, if necessary, to format the document so that it will fit nicely within the plain areas on your letterhead overlay.
2. Open your application's **Print...** dialogue and choose any options you will require, ensuring that the target printer is your PCL printer driver in which the overlays have been defined.
3. Click the **Properties** button to open the Printing Preferences window.
4. On the Overlay tab, check the **Use active overlays** checkbox (1).
5. In the Defined Overlays list, click on the first overlay (2) you wish to use, and click the **Add** button (3) to add it to the Active Overlays list. (If you want a reminder of how this overlay looks, click the **Test Print** button.)
6. If you want to use another overlay with this document, in this example it is the "Continuation Page" overlay, click this overlay (4) in the list of defined overlays, and then click the **Add** button (3) again to add the second overlay to the list of active overlays.
7. When the list of active overlays contains all the items you want to use, click **OK**.
8. Finally, click the **Print** button in your application's Print dialogue to begin printing your document.



REPLACING CONSUMABLE ITEMS

This section explains how to replace consumable items when due.

NOTE:

When the LCD display indicates **TONER LOW**, or if print appears faded, first open the top cover and try tapping the cartridge a few times to evenly distribute the toner powder. This will enable you to obtain the best "yield" from your toner cartridge.

As a guide, the life expectancy of these items is:

> **Toner:**

Starter Cartridge:

The printer is shipped with sufficient Cyan, Magenta, Yellow & Black toner for 2,000 images (ISO/IEC19798), of which 750 images are used to charge the image drum (1,250 images remaining at 5% coverage).

Replacement Cartridge:

Replacement cartridges (C, M, Y & K) have a capacity of approximately 7,000 images (calculated on typical office usage where 20% of printing is 1 page only, 30% is 3 page documents and 50% is print runs of 15 pages or more).

> **Image drum:**

As the lifetime of the cartridge is proportional to the number of drum rotations, simplex printing on A4 or Letter paper yields:

20,000 pages (approx.) for 3 pages per job

11,000 pages (approx.) for 1 page per job

27,000 pages (approx.) for continuous print job

> **Transfer belt:** Approximately 80,000 A4 pages.

> **Fuser:** Approximately 100,000 A4 pages.

C830 CONSUMABLE ORDER DETAILS

ITEM	LIFE	ORDER NO.
Toner, black	8,000 images @ 5%*	44059112
Toner, cyan	8,000 images @ 5%*	44059111
Toner, magenta	8,000 images @ 5%*	44059110
Toner, yellow	8,000 images @ 5%*	44059109
Image drum, black	20,000 A4 pages*	44064016
Image drum, cyan	20,000 A4 pages*	44064015
Image drum, magenta	20,000 A4 pages*	44064014
Image drum, yellow	20,000 A4 pages*	44064013
Fuser, 120V Fuser, 230V	100,000 A4 pages*	43529404 43529409
Transport belt	80,000 A4 @ 3/job	43449704

* Average life: 20% pages at continuous print, 50% pages at 3 pages per job and 30% pages at 1 page per job.

C810 CONSUMABLE ORDER DETAILS

ITEM	LIFE	ORDER NO.
Toner, black	8,000 images @ 5%*	52121704
Toner, cyan	8,000 images @ 5%*	52121703
Toner, magenta	8,000 images @ 5%*	52121702
Toner, yellow	8,000 images @ 5%*	52121701
Image drum, black	20,000 A4 pages*	56123704
Image drum, cyan	20,000 A4 pages*	56123703
Image drum, magenta	20,000 A4 pages*	56123702
Image drum, yellow	20,000 A4 pages*	56123701
Fuser, 120V Fuser, 230V	100,000 A4 pages*	43529404 43529409
Transport belt	80,000 A4 @ 3/job	43449704

*Average life: 20% pages at continuous print, 50% pages at 3 pages per job and 30% pages at 1 page per job.

TONER CARTRIDGE REPLACEMENT

CAUTION!

To avoid toner wastage and possible toner sensor errors, do not change the toner cartridge(s) until "TONER EMPTY" is displayed.

For the protection of your product, and in order to ensure that you benefit from its full functionality, this model has been designed to operate only with genuine original toner cartridges. Any other toner cartridge may not operate at all, even if it is described as "compatible", and if it does work, your product's performance and print quality may be degraded.

Non-genuine original products may invalidate your warranty.

The toner used in this printer is a very fine dry powder. It is contained in four cartridges: one each for cyan, magenta, yellow and black.

Have a sheet of paper handy so that you have somewhere to place the used cartridge while you install the new one.

Dispose of the old cartridge responsibly, inside the pack that the new one came in. Follow any regulations, recommendations, etc., which may be in force concerning waste recycling.

If you do spill any toner powder, lightly brush it off. If this is not enough, use a cool, damp cloth to remove any residue.

Do not use hot water, and never use solvents of any kind. They will make stains permanent.

WARNING!

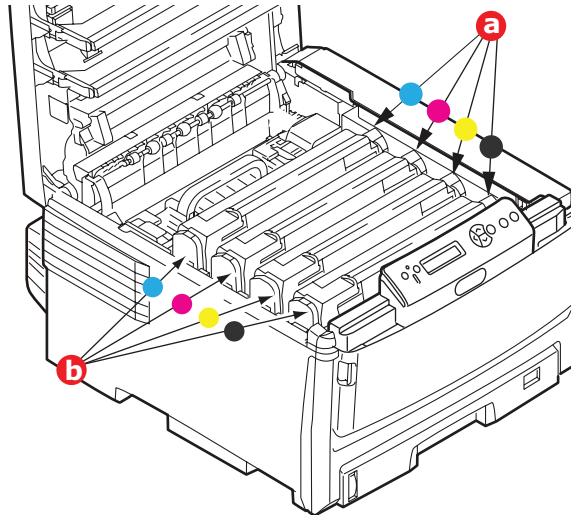
If you inhale any toner or get it in your eyes, drink a little water or bathe your eyes liberally in cold water. Seek medical attention immediately.

1. Press the cover release and open the printer's top cover fully.

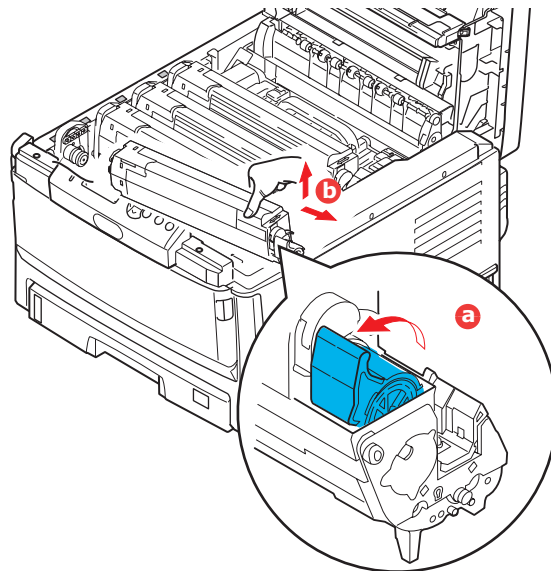
WARNING!

If the printer has been powered on, the fuser may be hot. This area is clearly labelled. Do not touch.

2. Note the positions of the four toner cartridges (a) and image drums (b). It is essential that they go back in the same order.

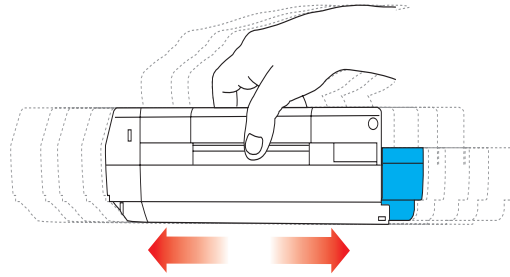


3. Pull the colored toner release lever (a) on the cartridge to be replaced fully towards the front of the printer.

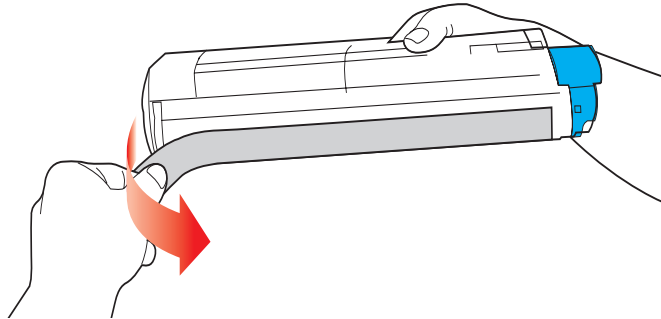


4. Lift the right-hand end of the cartridge and then draw the cartridge to the right to release the left-hand end as shown, and withdraw the toner cartridge (b).
5. Put the assembly down gently onto a piece of paper to prevent toner from marking your furniture.
6. Remove the new cartridge from its box but leave its wrapping material in place for the moment.

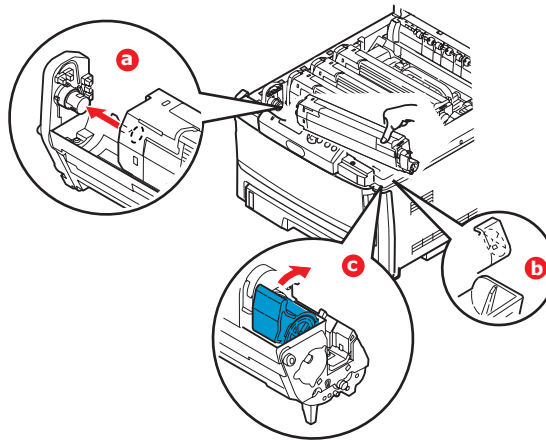
7. Gently shake the new cartridge from end to end several times to loosen and distribute the toner evenly inside the cartridge.



8. Remove the wrapping material and peel off the adhesive tape from the underside of the cartridge.



9. Holding the cartridge by its top centre with the colored lever to the right, lower it into the printer over the image drum unit from which the old cartridge was removed.
10. Insert the left end of the cartridge into the top of the image drum unit first (a), pushing it against the spring on the drum unit, then lower the right end of the cartridge down onto the image drum unit (b).



11. Pressing gently down on the cartridge to ensure that it is firmly seated, push the colored lever (c) towards the rear of the printer. This will lock the cartridge into place and release toner into the image drum unit.
12. Finally, close the top cover and press down firmly at both sides so that the cover latches closed.

IMAGE DRUM REPLACEMENT

CAUTION!



Static sensitive devices, handle with care.

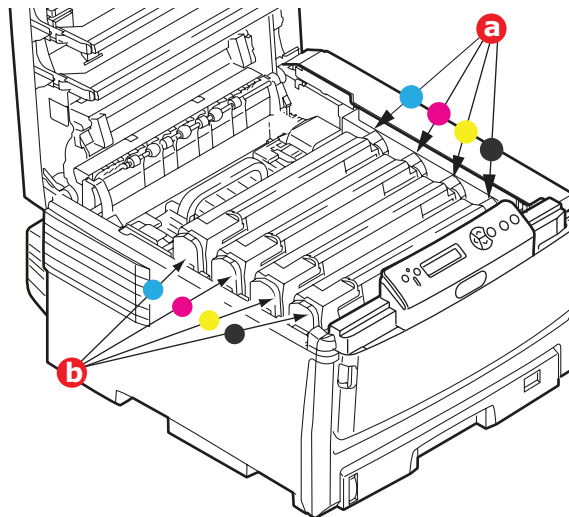
The printer contains four image drums: cyan, magenta, yellow and black.

1. Press the cover release and open the printer's top cover fully.

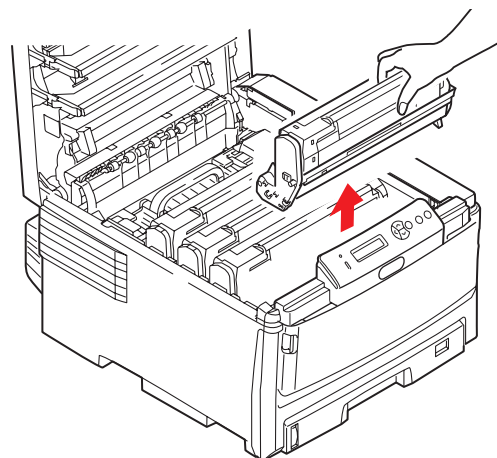
WARNING!

If the printer has been powered on, the fuser will be hot. This area is clearly labelled. Do not touch.

2. Note the positions of the four cartridges (a) and image drums (b). It is essential that they go back in the same order.



3. Holding it by its top centre, lift the image drum, complete with its toner cartridge, up and out of the printer.

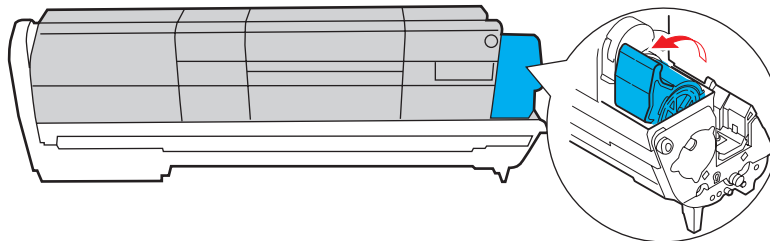


- Put the assembly down gently onto a piece of paper to prevent toner from marking your furniture and to avoid damaging the green drum surface.

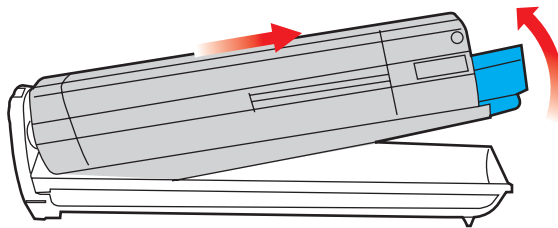
CAUTION!

The green image drum surface at the base of the cartridge is very delicate and light sensitive. Do not touch it and do not expose it to normal room light for more than 5 minutes. If the drum unit needs to be out of the printer for longer than this, please wrap the cartridge inside a black plastic bag to keep it away from light. Never expose the drum to direct sunlight or very bright room lighting.

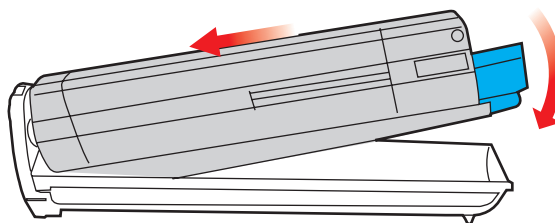
- With the colored toner release lever to the right, pull the lever towards you. This will release the bond between the toner cartridge and the image drum cartridge.



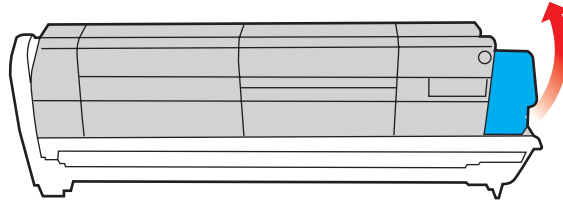
- Lift the right-hand end of the cartridge and then draw the cartridge to the right to release the left-hand end as shown, and withdraw the toner cartridge out of the image drum cartridge. Place the cartridge on a piece of paper to avoid marking your furniture.



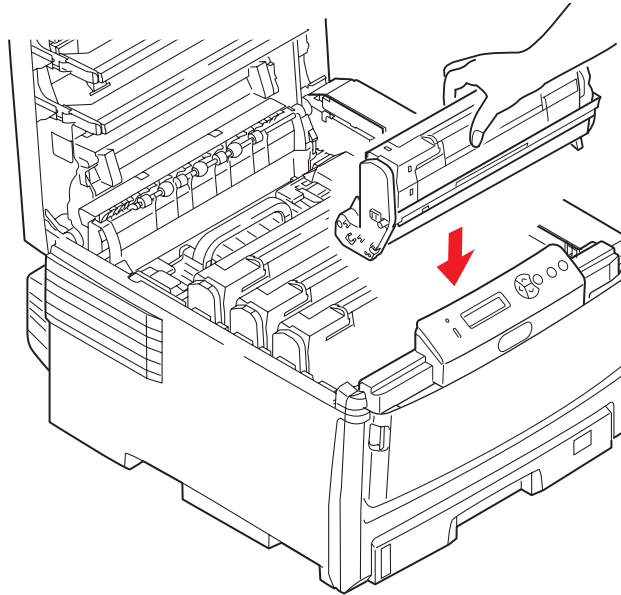
- Take the new image drum cartridge out of its packaging and place it on the piece of paper where the old cartridge was placed. Keep it the same way round as the old unit. Pack the old cartridge inside the packaging material for disposal.
- Place the toner cartridge onto the new image drum cartridge as shown. Push the left end in first, and then lower the right end in. (It is not necessary to fit a new toner cartridge at this time unless the remaining toner level is very low.)



9. Push the colored release lever away from you to lock the toner cartridge onto the new image drum unit and release toner into it.



10. Holding the complete assembly by its top centre, lower it into place in the printer, locating the pegs at each end into their slots in the sides of the printer cavity.



11. Finally, close the top cover and press down firmly at both sides so that the cover latches closed.

NOTE:

If you need to return or transport your printer for any reason, please make sure you remove the image drum unit beforehand and place in the bag provided. This is to avoid toner spillage.

TRANSFER BELT REPLACEMENT

The belt unit is located under the four image drums. This unit requires replacement approximately every 80,000 pages.

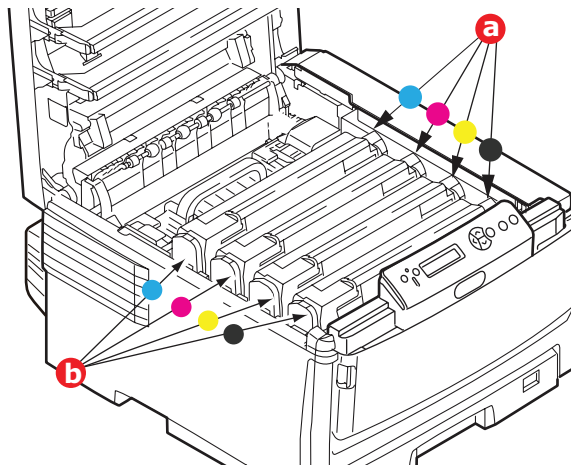
Switch off the printer and allow the fuser to cool for about 10 minutes before opening the cover.

1. Press the cover release and open the printer's top cover fully.

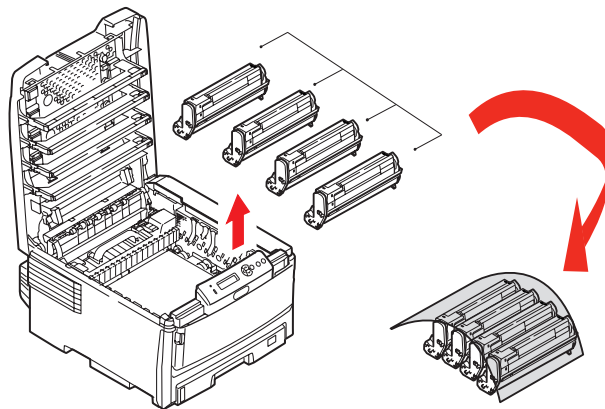
WARNING!

If the printer has been powered on, the fuser will be hot. This area is clearly labelled. Do not touch.

2. Note the positions of the four toner cartridges (a) and image drums (b). It is essential that they go back in the same order.



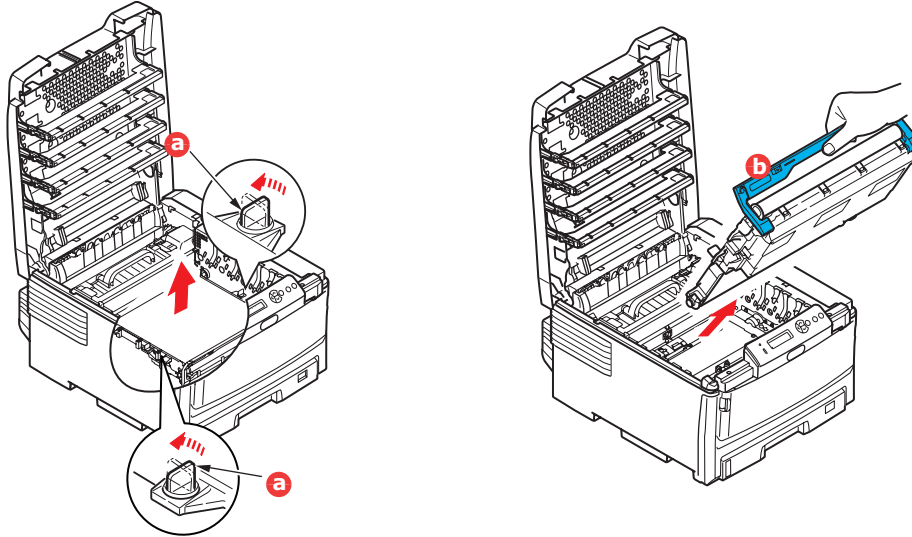
3. Lift each of the image drum units out of the printer and place them in a safe place away from direct sources of heat and light.



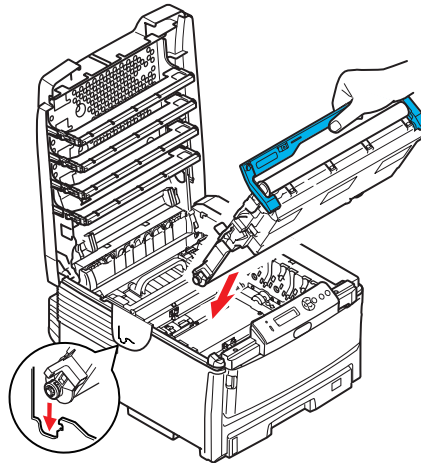
CAUTION!

The green image drum surface at the base of each cartridge is very delicate and light sensitive. Do not touch it and do not expose it to normal room light for more than 5 minutes. If the drum unit needs to be out of the printer for longer than this, please wrap the cartridge inside a black plastic bag to keep it away from light. Never expose the drum to direct sunlight or very bright room lighting.

4. Locate the two fasteners (a) at each side of the belt and the lifting bar (b) at the front end.



5. Turn the two fasteners 90° to the left. This will release the belt from the printer chassis.
6. Pull the lifting bar (b) upwards so that belt tilts up towards the front, and withdraw the belt unit from the printer.
7. Lower the new belt unit into place, with the lifting bar at the front and the drive gear towards the rear of the printer. Locate the drive gear into the gear inside the printer by the rear left corner of the unit, and lower the belt unit flat inside the printer.



8. Turn the two fasteners (a) 90° to the right until they lock. This will secure the belt unit in place.
9. Replace the four image drums, complete with their toner cartridges, into the printer in the same sequence as they came out: cyan (nearest the rear), magenta, yellow and black (nearest the front).
10. Finally, close the top cover and press down firmly at both sides so that the cover latches closed.

FUSER REPLACEMENT

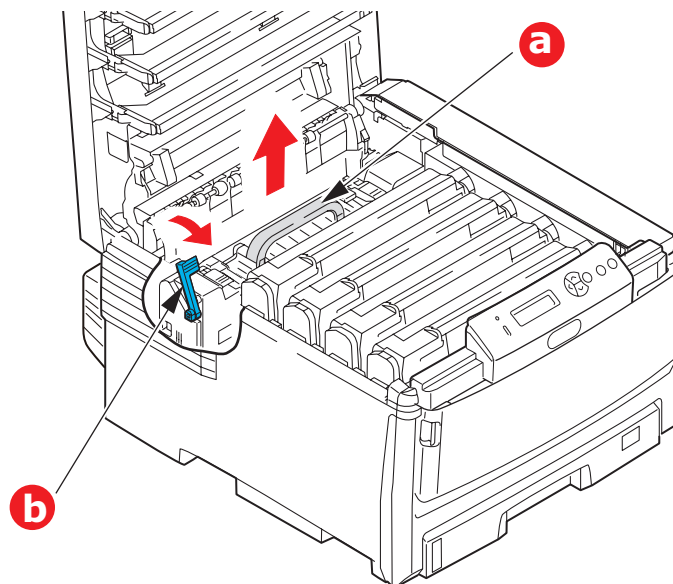
The fuser is located inside the printer just behind the four image drum units.

WARNING!

If the printer has recently been powered on, some fuser components will be very hot. Handle the fuser with extreme care, holding it only by its handle, which will only be mildly warm to the touch. A warning label clearly indicates the area. If in doubt, switch the printer off and wait at least 10 minutes for the fuser to cool before opening the printer cover.

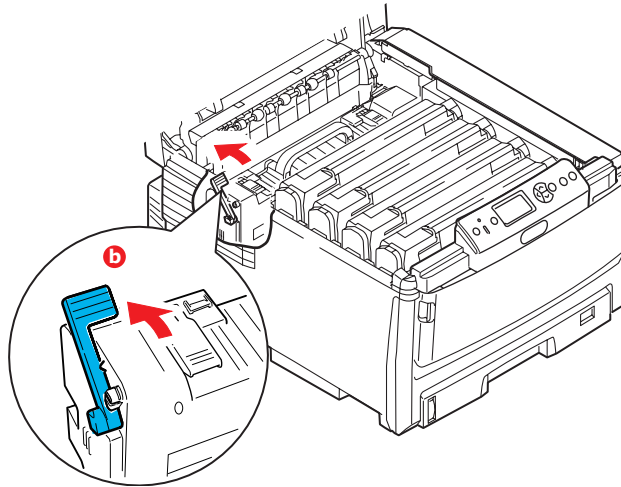
Switch off the printer.

1. Press the cover release and open the printer's top cover fully.
2. Identify the fuser handle (a) on the top of the fuser unit.



3. Pull the fuser retaining lever (b) towards the front of the printer so that it is fully upright.
4. Holding the fuser by its handle (a), lift the fuser straight up and out of the printer. If the fuser is still warm, place it on a flat surface which will not be damaged by heat.
5. Remove the new fuser from its packaging and remove the transit material.
6. Holding the new fuser by its handle, make sure that it is the correct way round. The retaining lever (b) should be fully upright.
7. Lower the fuser into the printer.

8. Push the retaining lever (b) towards the rear of the printer to lock the fuser in place.



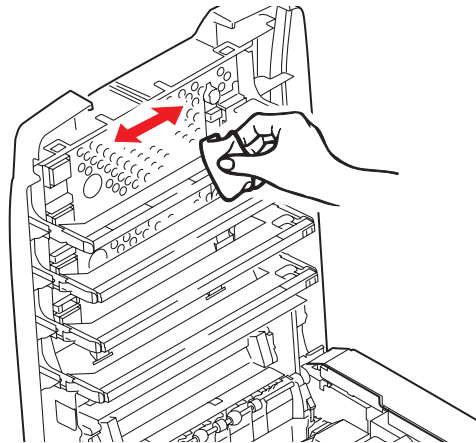
Finally, close the top cover and press down firmly at both sides so that the cover latches closed.

9. Switch the printer ON.

CLEANING THE LED HEAD

Clean the LED head when printing does not come out clearly, has white lines or when text is blurred.

1. Switch off the printer and open the top cover.
2. Gently wipe the LED head surface with a soft tissue.



CAUTION!

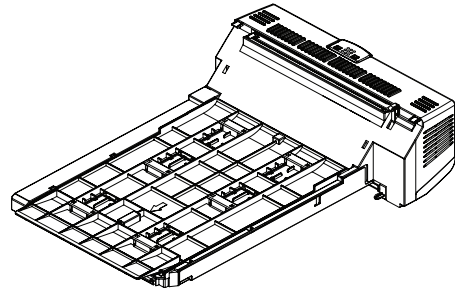
Do not use methyl alcohol or other solvents on the LED head as damage to the lens surface will occur.

3. Close the top cover.

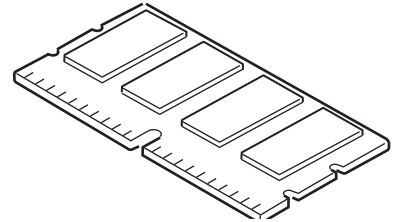
INSTALLING UPGRADES

This section explains how to install optional equipment into your printer. This includes:

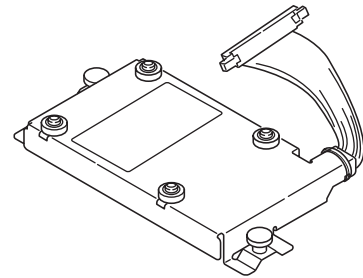
- > duplex (two-sided printing) unit;
[page 76](#):



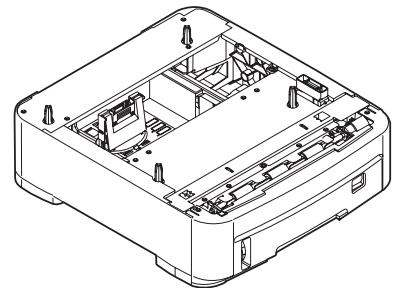
- > additional RAM memory (C830 only)
[page 77](#)



- > hard disk drive (C830 only).
[page 80](#)



- > additional paper tray(s)
[page 82](#)



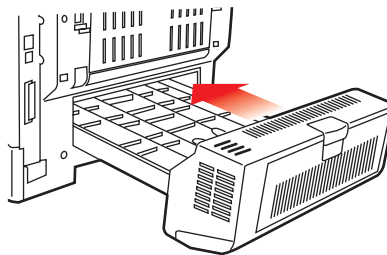
DUPLEX UNIT

Note: the Duplex Unit is optional on some models.

The duplex unit adds the function of two-sided printing, using less paper and making large documents easier to handle. It also enables booklet printing, which uses even less paper and makes large documents even easier to handle.

The duplex unit slides straight into the rear of the printer and requires no tools to install.

1. Unpack the new unit and remove any transit material from it.
2. Switch the printer off. It is not necessary to disconnect the AC power cable.
3. Ensure that the unit is the right way up, as shown, and push it into the slot behind the rear panel. The panel will swing inwards as you push the unit into it. Push the unit all the way in until it stops and latches home.



4. Switch the printer on and wait for it to warm up (about 1 minute).
5. Print a menu map as follows:
 - (a) Press the **Enter** button.
 - (b) Press the **Menu up** button, then the **Enter** button to select the Print Information menu.
 - (c) Select **Configuration** with the **Enter** button.
 - (d) Press the **Enter** button once more to execute the Configuration menu.
 - (e) When the Configuration map is printed, press **Online** to exit the menu system.
6. Examine the first page of the menu map.
7. Near the top of the page, between the two horizontal lines, you will see the current printer configuration. This list should indicate that the duplex unit is now installed.

All that remains is to adjust the printer driver to make full use of the new features (["Adjusting printer drivers" on page 83](#)).

MEMORY UPGRADE (C830 ONLY)

The basic C830 printer model comes equipped with 256MB of main memory. This can be upgraded with an additional memory board of 256MB or 512MB, giving a maximum total memory capacity of 768MB.

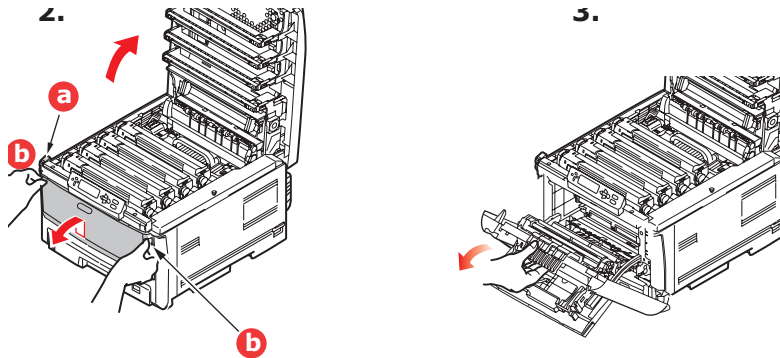
Installation takes a few minutes, and requires a medium size cross-head (philips type) screwdriver.

1. Switch the printer off and disconnect the AC power cable.
2. Press the cover release (a) and open the printer's top cover fully.

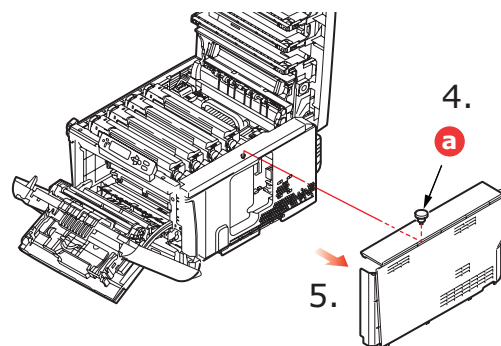
WARNING!

If the printer has been powered on recently, the fuser will be hot. This area is clearly labelled. Do not touch.

3. Pull down the MP Tray using the depressions (b). Lift the front cover release lever and lower the front cover.

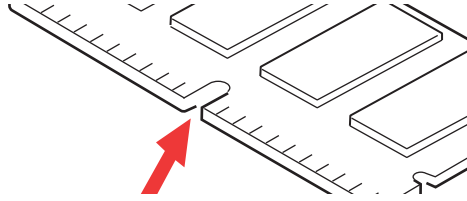


4. Remove the screw (a) securing the right-hand side cover.

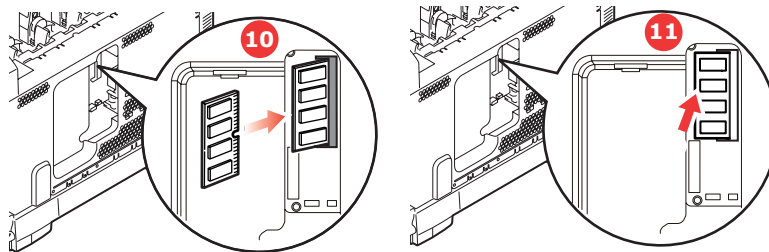


5. Lift the edge of the side cover slightly and pull the cover away from the printer at the top. Lift the cover slightly to detach it from the printer. Place it safely to one side.
6. Carefully remove the new memory board from its wrapping. Try to handle the board only by its short edges, avoiding contact with any metal parts as far as possible. In particular, avoid touching the edge connector.

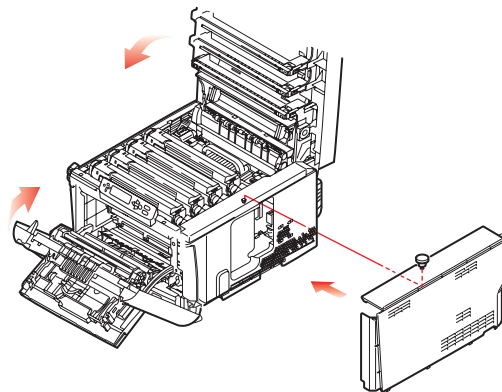
- 7.** Notice that the memory board has a small cutout in the edge connector, which is closer to one end than the other.



- 8.** Identify the RAM expansion slot in the printer.
- 9.** If the RAM expansion slot already contains a memory upgrade board, that board will have to be removed before you can install the new one. To remove it, proceed as follows, otherwise skip to step 10.
- (a) Grip the board firmly by its short edges and pull it out of the slot.
 - (b) Place the removed memory board in the antistatic bag which originally contained the new memory board.
- 10.** Hold the new memory board by its short edges, so that the edge connector faces in towards the RAM expansion slot, and the small cutout is closer to the rear of the printer.



- 11.** Gently push the board into the RAM expansion slot until it latches in and will not go any further.
- 12.** Locate the three retaining clips at the bottom of the side cover into their rectangular holes near the bottom of the printer.
- 13.** Close the top of the side cover up to the printer and refit the securing screw removed in step 4.



- 14.** Close the front cover, and close the top cover, pressing down firmly at each side to latch it closed.
- 15.** Reconnect the AC power cable and switch the printer on.

- 16.** When the printer is ready, print a menu map as follows:
- (a) Press the **Enter** button.
 - (b) Press the **Menu up** button then the **Enter** button to select the Print Information menu.
 - (c) Select **Configuration** with the **Enter** button.
 - (d) Press the **Enter** button once more to execute the Configuration menu.
 - (e) When the Configuration map is printed, press **On Line** to exit the menu system.
- 17.** Examine the first page of the menu map.

Near the top of the page, between the two horizontal lines, you will see the current printer configuration. This list contains the figure for total memory size.

This should indicate the total memory now installed.

HARD DISK DRIVE (C830 ONLY)

The optional internal hard disk drive (HDD) enables collating of printed pages and can be used to store overlays and macros, fonts, and secure or proof documents waiting to be printed.

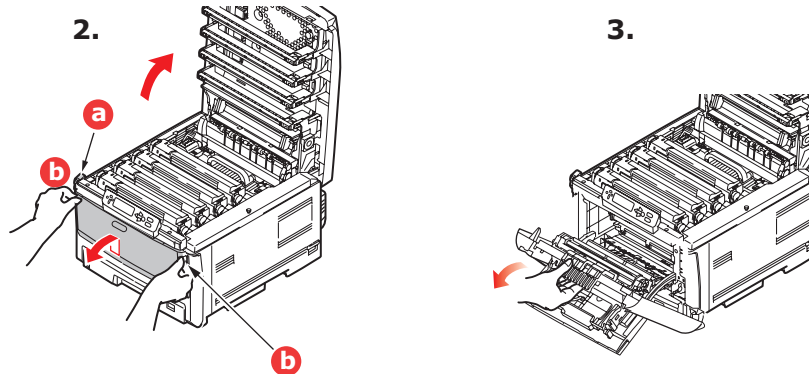
Installation takes a few minutes, and requires a medium size cross-head (philips type) screwdriver.

1. Switch the printer off and disconnect the AC power cable.
2. Press the cover release and open the printer's top cover fully.

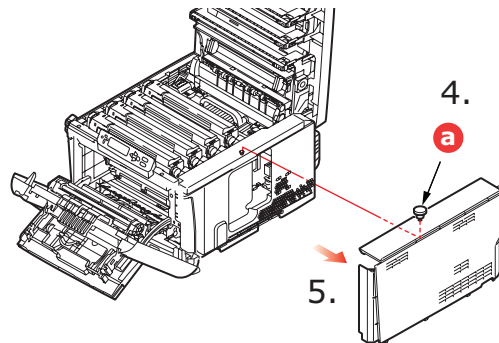
WARNING!

If the printer has been powered on recently, the fuser will be hot. This area is clearly labelled. Do not touch.

3. Pull down the MP Tray using the depressions (b). Lift the front cover release lever and lower the front cover.

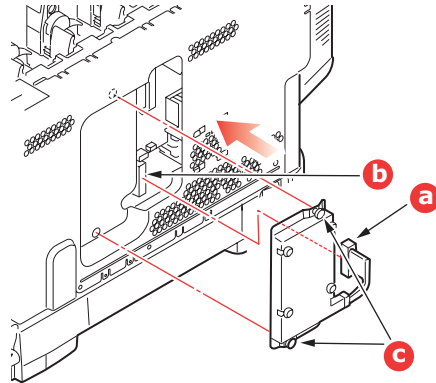


4. Remove the screw (a) securing the right-hand side cover.

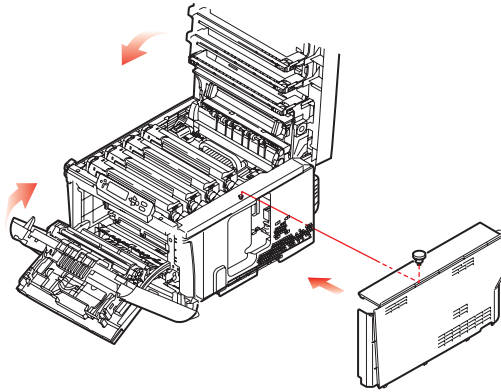


5. Lift the edge of the side cover slightly and pull the cover away from the printer at the top. Lift the cover slightly to detach it from the printer. Place it safely to one side.

6. Plug the end of the connecting cable (a) into the disk unit connector (b) in the printer.



7. Tighten the two thumbscrews (c).
8. Close the top of the side cover up to the printer and refit the securing screw removed in step 4.

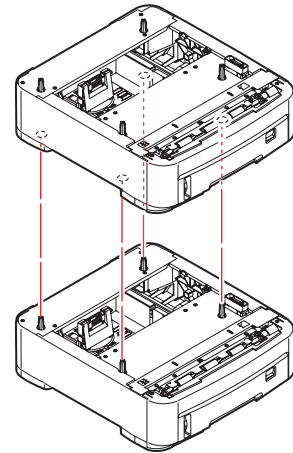


9. Close the front cover and the top cover, pressing down firmly at each side to latch it closed.
10. All that remains is to adjust the printer driver to make full use of the new features (["Adjusting printer drivers" on page 83](#)).
11. Reconnect the AC power cable and switch the printer on.
12. When the printer is ready, print a menu map as follows:
 - (a) Press the **Enter** button.
 - (b) Press the **Menu up** button then the **Enter** button to select the Print Information menu.
 - (c) Select **Configuration** with the **Enter** button.
 - (d) Press the **Enter** button once more to execute the Configuration menu.
 - (e) When the Configuration map is printed, press **On Line** to exit the menu system.
13. Examine the first page of the menu map.

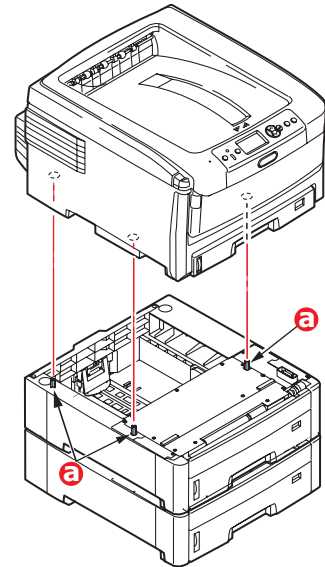
Near the top of the page, between the two horizontal lines, you will see the current printer configuration. This should now indicate that the hard disk unit is installed.

ADDITIONAL PAPER TRAY(S)

1. Switch the printer off and disconnect the AC power cable.
2. Place additional paper tray(s) on desired location.



3. Observing safety rules for lifting and, using locating guides (a), place printer on top of the additional paper tray(s).



4. Re-connect the AC power cable and switch the printer ON.
All that remains is to adjust the printer driver to make full use of the new features (["Adjusting printer drivers" on page 83](#)).

ADJUSTING PRINTER DRIVERS

Once your new upgrade has been installed, you may need to update the Windows printer driver so that the additional features are available to your Windows applications.

Remember that if your printer is shared between users on different computers, the driver must be adjusted on each user's machine.

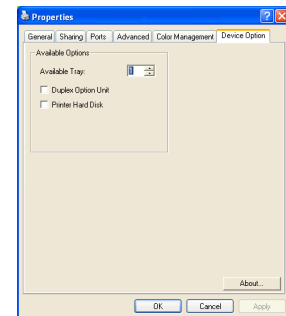
The illustrations shown here are for Windows XP. Other Windows versions may appear slightly different, but the principles are the same.

If you have installed a memory upgrade it is not necessary to change the printer driver, and you can ignore this section.

If you have installed a duplex unit, hard disk or paper tray(s), proceed as follows:

WINDOWS:

1. Open the Printers window (called "Printers and Faxes" in Windows XP) via the **Start** Menu or from the Windows Control Panel.
2. Right-click the printer icon for this printer, and choose **Properties** from the pop-up menu.
3. On the **Device Options** tab, check the box for the upgrade you have just installed.
4. Click **OK** to close the properties window, and then close the Printers window.



MACINTOSH

If you have added additional hardware to your printer, these must be enabled in the printer driver. Additional hardware may include extra paper trays, a printer hard disk or a duplex unit.

NOTE

This is required for IP and Bonjour connections only; USB and AppleTalk connections are normally configured automatically.

Leopard (Mac OS X 10.5)

1. Open the Mac OS X **Print & Fax Preferences**.
2. Ensure your machine is selected.
3. Select **Options & Supplies**.
4. Select **Driver**.
5. Select any options appropriate to your hardware and click **OK**.

Tiger (Mac OS X 10.4)

1. Open the Mac OS X **Print & Fax Preferences**.
2. Ensure your machine is selected.
3. Select **Printer Setup...**
4. Select the menu and choose **Installable Options...**
5. Select any options appropriate to your hardware and click **Apply Changes...**

Panther (Mac OS X 10.3)

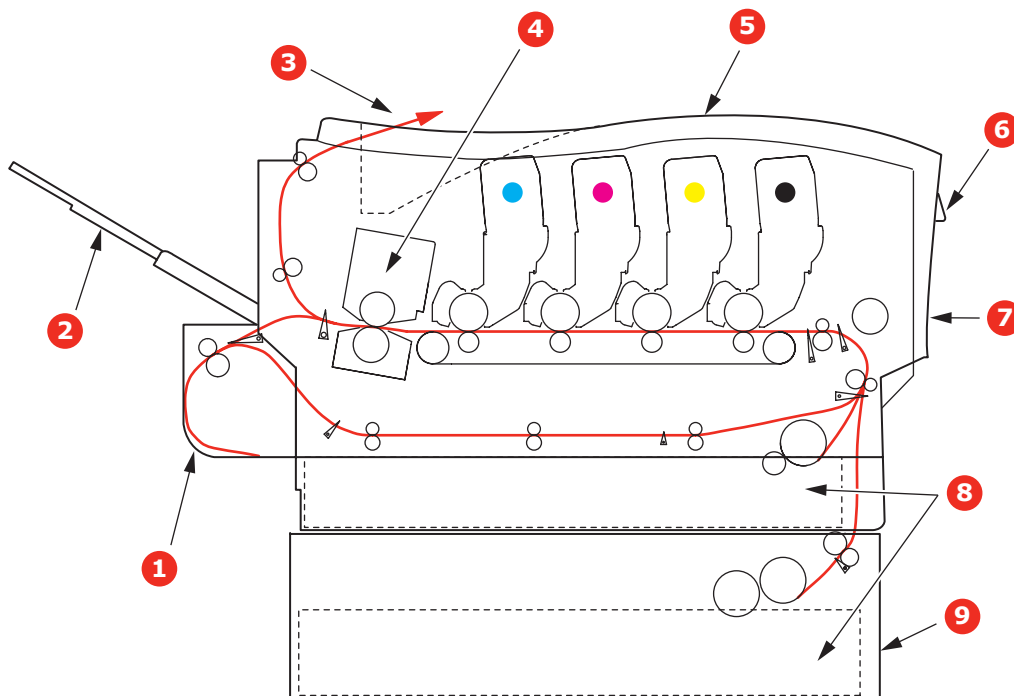
- 1.** Open the Mac OS X **Print & Fax Preferences**.
- 2.** Select **Printing**.
- 3.** Select **Set Up Printers...**
- 4.** Ensure your machine is selected and select **Show Info...**
- 5.** Select the menu and choose **Installable Options...**
- 6.** Select any options appropriate to your hardware and click **Apply Changes**.

CLEARING PAPER JAMS

Provided that you follow the recommendations in this guide on the use of print media, and you keep the media in good condition prior to use, your printer should give years of reliable service. However, paper jams occasionally do occur, and this section explains how to clear them quickly and simply.

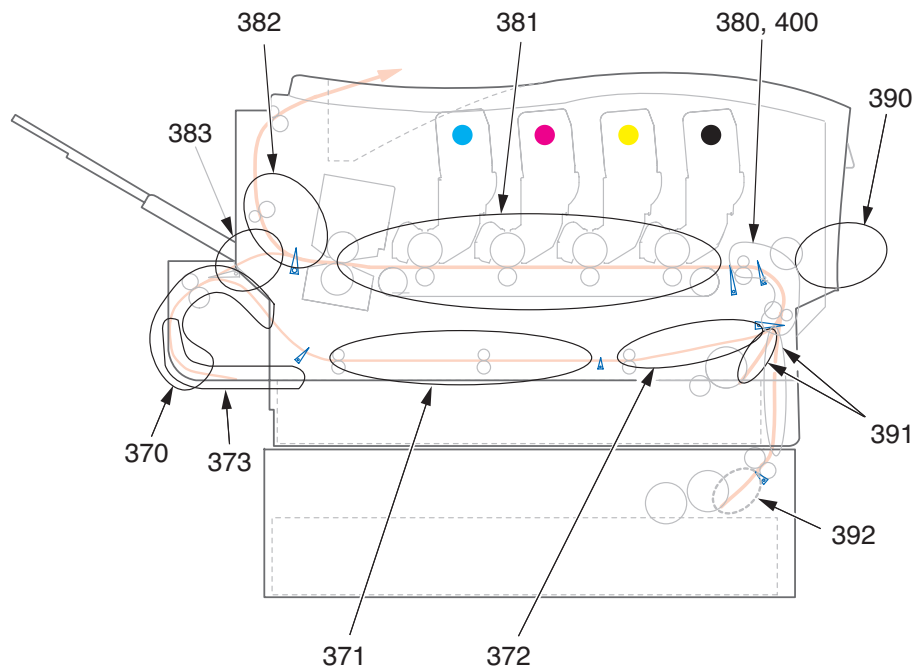
Jams can occur due to paper misfeeding from a paper tray or at any point on the paper path through the printer. When a jam occurs, the printer immediately stops, and the Alert LED on the Status Panel (together with the Status Monitor) informs you of the event. If printing multiple pages (or copies), do not assume that, having cleared an obvious sheet, others will not also be stopped somewhere along the path. These must also be removed in order to clear the jam fully and restore normal operation. Major printer components and paper path

MAJOR PRINTER COMPONENTS AND PAPER PATH



- | | |
|------------------------------------|---|
| 1. Duplex unit (if fitted). | 6. Operator panel. |
| 2. Face-up stacker. | 7. Front cover. |
| 3. Paper exit. | 8. Paper tray. |
| 4. Fuser unit | 9. Additional paper tray (if fitted) |
| 5. Top cover. | |

PAPER SENSOR ERROR CODES



CODE #	LOCATION	CODE #	LOCATION
370	Duplex unit *	382	Paper exit
371	Duplex unit *	383	Duplex unit *
372	Duplex unit *	390	MP Tray
373	Duplex unit *	391	Paper Tray
380	Paper feed	392	2 nd Paper tray *
381	Paper path	400	Paper size

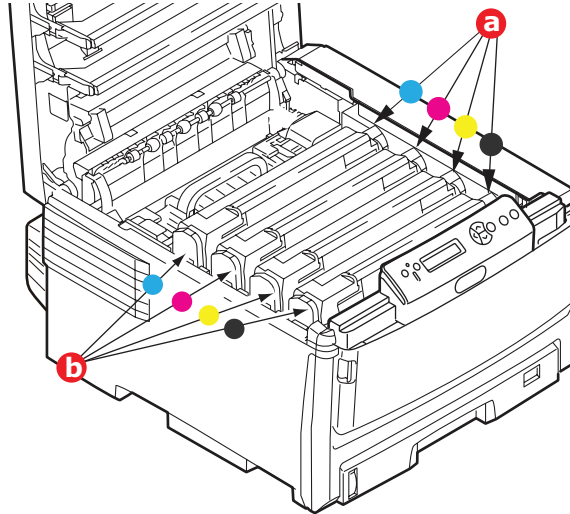
* (if fitted).

1. If a sheet is well advanced out of the top of the printer, simply grip it and pull gently to draw it fully out. If it does not remove easily, do not use excessive force. It can be removed from the rear later.
2. Press the cover release and open the printer's top cover fully.

WARNING!

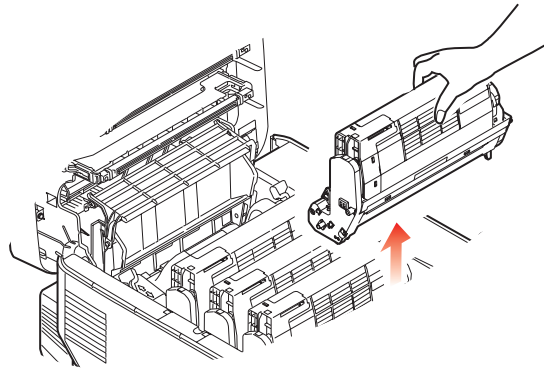
If the printer has been powered on, the fuser will be hot. This area is clearly labelled. Do not touch.

3. Note the positions of the four toner cartridges (a) and image drums (b). It is essential that they go back in the same order.

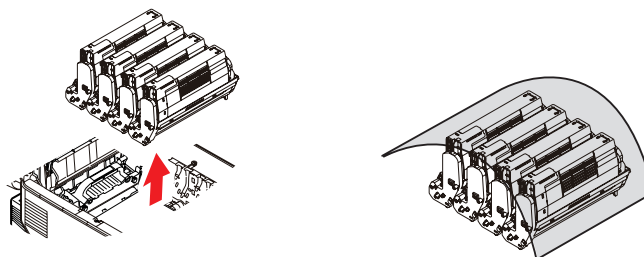


It will be necessary to remove the four image drums (b) to gain access to the paper path.

4. Holding it by its top centre, lift the cyan image drum, complete with its toner cartridge, up and out of the printer.



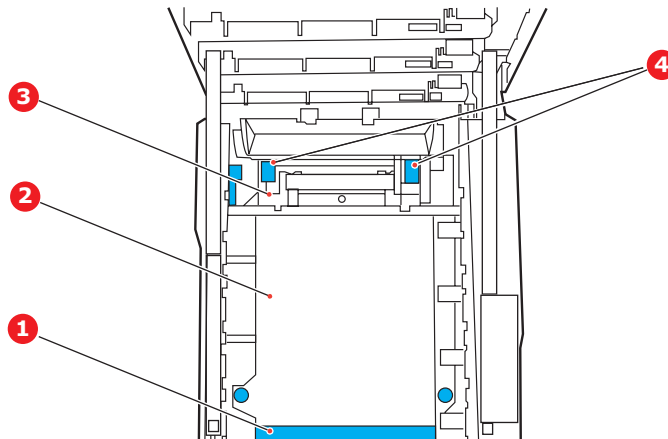
5. Put the assembly down gently onto a piece of paper to prevent toner from marking your furniture and to avoid damaging the green drum surface, and cover.



CAUTION!

The green image drum surface at the base of the Image Drum is very delicate and light sensitive. Do not touch it and do not expose it to normal room light for more than 5 minutes.

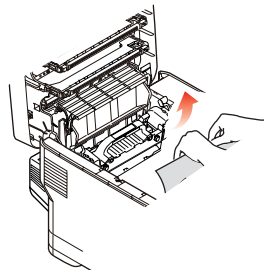
6. Repeat this removal procedure for each of the remaining image drum units.
7. Look into the printer to check whether any sheets of paper are visible on any part of the belt unit.



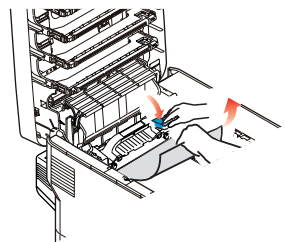
CAUTION!

Do not use any sharp or abrasive objects to separate sheets from the belt. This may damage the belt surface.

- (a) To remove a sheet with its leading edge at the front of the belt (1), carefully lift the sheet from the belt and pull it forwards into the internal drum cavity and withdraw the sheet.



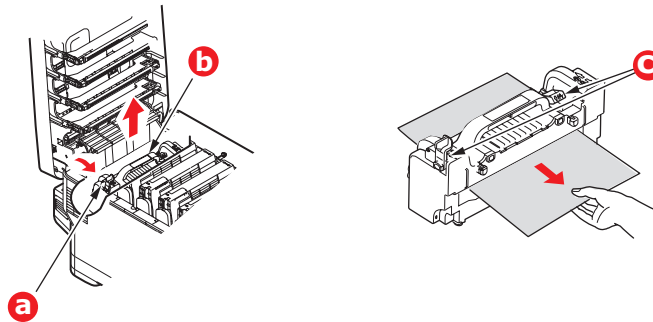
- (b) To remove a sheet from the central area of the belt (2), carefully separate the sheet from the belt surface and withdraw the sheet.
- (c) To remove a sheet just entering the fuser (3), separate the trailing edge of the sheet from the belt, lift the fuser pressure release levers (4) up and press toward the rear to release the fuser's grip on the sheet, and withdraw the sheet through the drum cavity area.



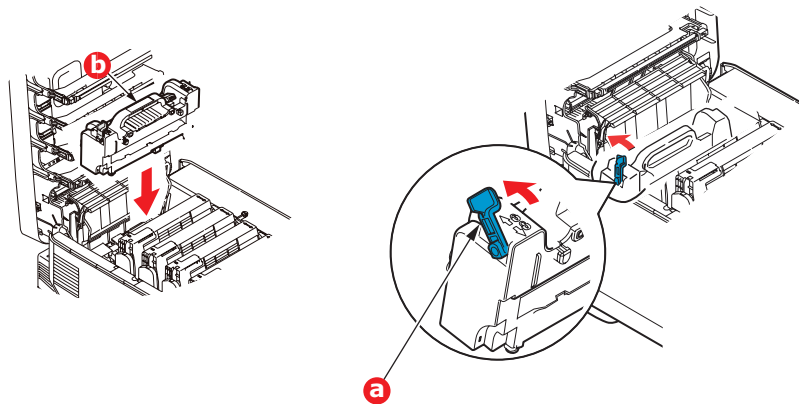
NOTE:

If the sheet is well advanced into the fuser (only a short length is still visible), do not attempt to pull it back. Follow the next steps.

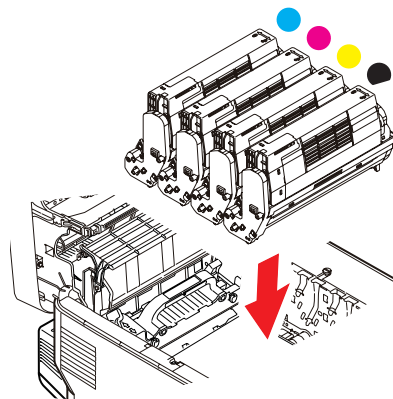
- (d) To remove a sheet in the fuser; pull the retaining lever (a) towards the front of the printer to release the fuser. Withdraw the fuser unit using the handle (b). Lift the fuser pressure release levers (c) up and press toward the rear to release the fuser's grip on the sheet. Pull the trapped paper from the fuser.



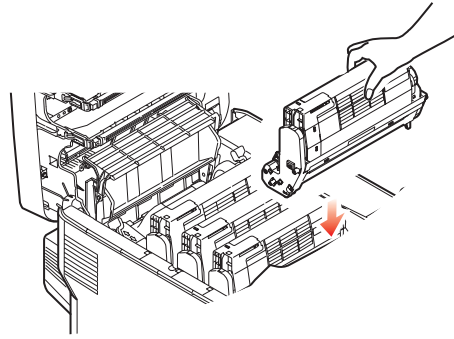
- (e) Replace fuser unit into the machine and move locking lever (a) toward the rear of the machine.



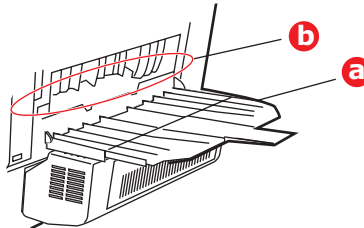
8. Starting with the cyan image drum unit nearest the fuser, replace the four image drums into the drum cavity, making sure to locate them in the correct order.



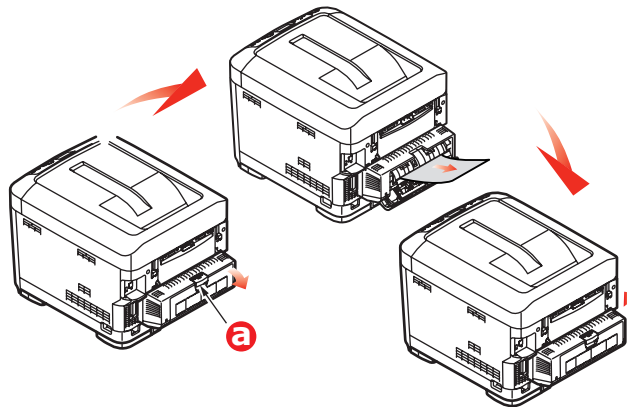
Holding the complete assembly by its top centre, lower it into place in the printer, locating the pegs at each end into their slots in the sides of the printer cavity.



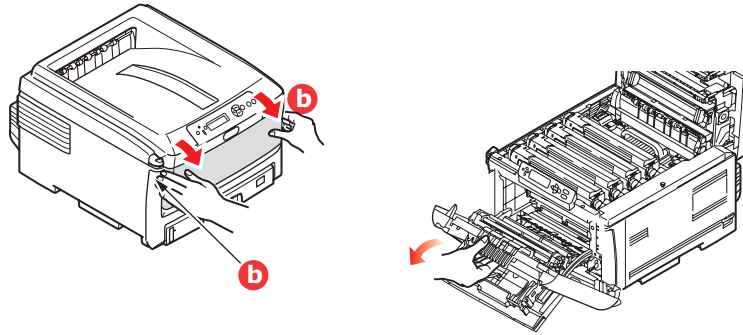
9. Lower the top cover but do not press down to latch it closed yet. This will protect the drums from excessive exposure to room lighting while you check the remaining areas for jammed sheets.
10. Open the rear exit tray (a) and check for a sheet of paper in the rear path area (b).



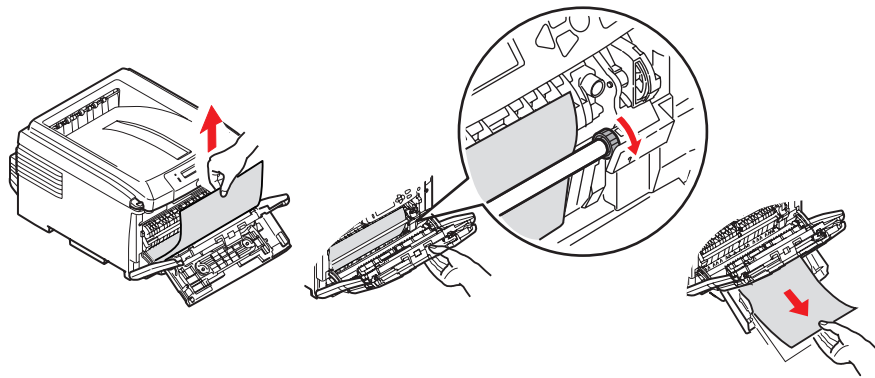
- > Pull out any sheets found in this area.
 - > If the sheet is low down in this area and difficult to remove, it is probably still gripped by the fuser. In this case raise the top cover, reach around and press down on the fuser pressure release lever.
11. If you are not using the rear exit tray, close it once any paper has been removed from this area.
 12. If a duplex unit is fitted, lift lever (a) and lower the duplex unit cover and pull out any sheets found in this area. Close the duplex unit cover



- 13.** Pull down the MP Tray using the depressions (b). Lift the front cover release lever and lower the front cover.



- 14.** Check inside the cover for sheets in this area and remove any that you find, then close the cover.



- 15.** Pull out the paper tray(s) and ensure that all paper is stacked properly, is undamaged, and that the paper guides are properly positioned against the edges of the paper stack. When satisfied, replace the tray.

- 16.** Finally, close the top cover and press down firmly so that the cover latches closed.

When the jam has been cleared, if Jam Recovery is set to ON in the System Configuration Menu, the printer will attempt to reprint any pages lost due to paper jams.

SPECIFICATIONS

C810 - N34240A

C830 - N34241A

ITEM	SPECIFICATION										
Dimensions	20 x 22 x 16 inches (485 x 556 x 345mm) (W x D x H) without Duplex unit										
Weight	79 lbs. (36Kg) approx. (without Duplex unit)										
Print method	LED exposed light source electronic photographic										
Print speeds	30 pages per minute color / 32 pages per minute monochrome										
Resolution	600 x 600, 1200 x 600dpi or 600 x 600dpi x 2bit (ProQ2400)										
Emulations (C830 only)	<table border="0"> <tr> <td style="text-align: center;">C810</td> <td style="text-align: center;">C830</td> </tr> <tr> <td>GDI</td> <td>PostScript 3</td> </tr> <tr> <td>XPS (Vista & Server 2008 only)</td> <td>PCL 5c, HP-GL, PCL XL, PCL 6</td> </tr> <tr> <td></td> <td>Epson FX</td> </tr> <tr> <td></td> <td>IBM Pro Printer III XL</td> </tr> </table>	C810	C830	GDI	PostScript 3	XPS (Vista & Server 2008 only)	PCL 5c, HP-GL, PCL XL, PCL 6		Epson FX		IBM Pro Printer III XL
C810	C830										
GDI	PostScript 3										
XPS (Vista & Server 2008 only)	PCL 5c, HP-GL, PCL XL, PCL 6										
	Epson FX										
	IBM Pro Printer III XL										
Auto Features	Auto registration Auto density adjustment Auto consumable counter reset										
Memory	<table border="0"> <tr> <td style="text-align: center;">C810</td> <td style="text-align: center;">C830</td> </tr> <tr> <td>Resident:</td> <td>128MB</td> </tr> <tr> <td>Optional:</td> <td>N/A</td> </tr> <tr> <td>HDD (option - C830 only)</td> <td>40 Gb</td> </tr> <tr> <td>Operating platform</td> <td> <p>Windows 2000/XP/XP Pro x64 bit Edition*/Server 2003/Server 2003 x64 bit Edition*, Server 2008/Server 2008 x64 bit Edition*, Vista</p> <p>* x86-64 processors only. Itanium is not supported.</p> <p>Macintosh OS X (10.3 or higher)</p> </td> </tr> </table>	C810	C830	Resident:	128MB	Optional:	N/A	HDD (option - C830 only)	40 Gb	Operating platform	<p>Windows 2000/XP/XP Pro x64 bit Edition*/Server 2003/Server 2003 x64 bit Edition*, Server 2008/Server 2008 x64 bit Edition*, Vista</p> <p>* x86-64 processors only. Itanium is not supported.</p> <p>Macintosh OS X (10.3 or higher)</p>
C810	C830										
Resident:	128MB										
Optional:	N/A										
HDD (option - C830 only)	40 Gb										
Operating platform	<p>Windows 2000/XP/XP Pro x64 bit Edition*/Server 2003/Server 2003 x64 bit Edition*, Server 2008/Server 2008 x64 bit Edition*, Vista</p> <p>* x86-64 processors only. Itanium is not supported.</p> <p>Macintosh OS X (10.3 or higher)</p>										
Paper capacity at 80g/m ²	300 sheets in main tray 530 sheets in optional 2nd tray 530 sheets in optional 3rd tray 100 sheets in multi purpose tray										
Paper weight	64 ~176g/m ² in main tray 64 ~176g/m ² in 2nd tray 64 ~176g/m ² in 3rd tray 64 ~ 220g/m ² in multi purpose tray Duplex: 64 ~ 128g/m ²										
Paper output	250 sheets in face down (top) stacker @ 80g/m ² 100 sheets in face up (rear) stacker @ 80g/m ²										
Paper feed ^a	Paper tray, manual feed, optional additional paper trays										
Media size - any tray	A3, Tabloid, A4 (LEF/SEF), A5, A6 (tray 1 only), B4, B5, Legal 13/13.5/14 inch, Letter (LEF).										
Media size - MP tray	A3, A4 (LEF/SEF), A5, A6, B4, B5 (LEF/SEF), Legal 13/13.5/14 inch, Letter, Executive, Banner (up to 1321mm length), com-10 envelope, DL envelope, C4/C5 envelope.										
Duplex (optional on some models)	Legal13/13.5/14, Letter (LEF/SEF), Executive, A4 (LEF/SEF), B5 (LEF/SEF), A5, B4, A3, Tabloid, Custom Size (within width 148.5-297mm and length 182-420mm / weight 64g/m ² -105g/m ² limits)										
Media type	Plain, Letterhead, Transparency, Bond, Recycled, Card stock, Rough, Labels and Glossy										
Paper capacity (depending on paper weight)	Paper tray: 300 sheets approx. Manual feed: 100 sheets approx. Optional additional paper trays: 530										
Exit capacity (depending on paper weight)	Face up: 100 sheets approx. Face down: 250 sheets approx.										

ITEM	SPECIFICATION
Print accuracy	Start: ±2 mm Paper skew: ±1 mm/100 mm Image expansion/compression: ±1 mm/100 mm
Interfaces	
Universal Serial Bus (USB)	USB specification Version 2.0 Connection: USB type B Cable: USB specification version 2.0 (shielded) Transmission mode: High speed (480Mbps + 0.25% maximum)
Network	10 Base T, 100 Base TX
Parallel Interface (830 only)	36 pin Centronics type, receptacle - IEEE 1284-1994
Duty cycle	50,000 pages per month max., 10,000 pages per month average
MTBF	100,000 pages
MTTR	20 minutes
Toner life ^b	Starter: CMYK: 2,000 images (750 images used to initially charge image drum) Replacement: CMYK: 8,000 images
Image drum life	20,000 Letter/A4 pages average
Belt life	80,000 Letter/A4 pages at 3 pages per job-
Fuser life	100,000 Letter/A4 pages at 3 pages per job-
Power supply	220 to 240VAC @ 50/60 Hz ± 2%
Power consumption	Operating: 1350W peak; 570 W av. (25°C) Idle: 200 W typical (25°C) Power saving ^c : <15W (C810)<17W (C830)
Operating environment	Operating 10 to 32 °C/20 to 80% RH (optimum 25 °C wet, 2 °C dry) Off: 0 to 43 °C/10 to 90% RH (optimum 26.8 °C wet, 2 °C dry)
Print environment	30 to 73% RH @ 10 °C; 30 to 54% RH @ 32 °C 10 to 32 °C @ 30% RH; 10 to 27 °C @ 80% RH color 17 to 27 °C @ 50 to 0% RH
Noise Levels	Operating: Mono/color - less than 54dBa Standby Mode: less than 37dBa Power Saving Mode: Background level

- a. Exit method is limited by paper size, media weight and paper feed.
- b. As defined by ISO/IEC 19798
- c. To comply with the requirements of Energy Star, when no data is present for a set period of time, the printer goes into a power-saving mode. The printer has a "wake-up" feature which, when initiated from a host device or the operator panel, will revert the printer to its "running" mode.

Specifications subject to change without notice. All trademarks acknowledged.

UTILITIES

Summary of Utilities Provided

Utilities on the CD

For more information, click "Tell me more" on the Optional Utilities screen.

Windows

Admin Manager

For quick discovery and setup of the Oki network card in your printer. Runs directly off the CD.

Direct Network Printing Utility (LPR)

For printing on an Ethernet network without the need for a print server.

Network Extension

For use when your printer is connected over a TCP/IP network. Check the printer status and configuration from the Printer Properties tab in the printer driver.

Color Swatch Utility

Print a color swatch and use the indicated RGB values to set up the color(s) of your choice in your graphics/design software application.

PDF Print Direct (C830)

Print pdf files without first opening them in an application.

Display Language Utility

Use to change the language of the printer's display.

Color Access Policy Manager

Allows IT administrators to set restrictions on color printing and to monitor color printing usage.

Macintosh

Color Correct Utility

Fine tune the printer's color settings (pallet color, gamma value/hue) and save them for future use.

Op Panel Language Utility

Use to change the language of the printer's display.

Profile Assistant (C830)

Helps you to load and manage color profiles.

NIC Setup Utility

Use to set up the [printer network card.

PS Gamma Adjuster (C830)

Customize the CMYK data curves used with your printer driver. Once you have created the customized curve in the utility, you must save the curve (new PPD) and reconfigure your printer driver to use the new PPD.

Job Accounting

Use to control printer access and to monitor consumables usage.

Utilities on the Web (Windows Only)

Here is a list of the utilities provided via a download from the internet, accessed through the Menu Installer on the CD. For more information, click "Tell me more" on the Internet Options screen in the CD installer.

PrintSuperVision

View the real-time status of printers, monitor and report printer usage, manage consumables, check on the status of printers in the same department, the same building, the same country or on the other side of the world.

Color Correct Utility

Helps adjust how RGB colors are printed: office palette tuning, hue/saturation/gamma tuning.

Storage Device Manager

Requires the hard disk drive, optional on some models. Download PCL macros, Postscript forms and bar codes to the printer hard disk drive for use in print jobs.

Job Accounting Utility

Use to control printer access and to monitor consumables usage.

PS Gamma Adjuster (C830)

Permits adjustment of each of the primary colors that the printer uses in Postscript mode.

Profile Assistant (C830)

Allows you to manage the ICC profiles on your printer's hard disk.

Installing the Utilities

Utilities on the CD**Windows**

Load the utilities from the Menu Installer located on the CD supplied with your printer.

Mac

Select the utilities during the printer driver installation.

Download Utilities (Windows only)

Download the utilities from the internet, accessed through the Menu Installer on the CD.

Free Manuals Download Website

<http://myh66.com>

<http://usermanuals.us>

<http://www.somanuals.com>

<http://www.4manuals.cc>

<http://www.manual-lib.com>

<http://www.404manual.com>

<http://www.luxmanual.com>

<http://aubethermostatmanual.com>

Golf course search by state

<http://golfingnear.com>

Email search by domain

<http://emailbydomain.com>

Auto manuals search

<http://auto.somanuals.com>

TV manuals search

<http://tv.somanuals.com>