

Microline 1120

User's Guide



59389401

Copyright Information

Copyright © 2007 by Oki Data. All Rights Reserved

Document Information

Microline 1120 User's Guide
P/N 59389401, Revision 1.1
April, 2007

Disclaimer

Every effort has been made to ensure that the information in this document is complete, accurate, and up-to-date. The manufacturer assumes no responsibility for the results of errors beyond its control. The manufacturer also cannot guarantee that changes in software and equipment made by other manufacturers and referred to in this guide will not affect the applicability of the information in it. Mention of software products manufactured by other companies does not necessarily constitute endorsement by the manufacturer.

While all reasonable efforts have been made to make this document as accurate and helpful as possible, we make no warranty of any kind, expressed or implied, as to the accuracy or completeness of the information contained herein.

The most up-to-date drivers and manuals are available from the web site: <http://www.okiprintingsolutions.com>

Trademark Information

Oki and Microline are registered trademarks of Oki Electric Industry Company Ltd.

Microsoft, MS-DOS and Windows are either registered trademarks or trademarks of Microsoft Corporation in the United States and/or other countries.

Other product names and brand names are registered trademarks or trademarks of their proprietors.

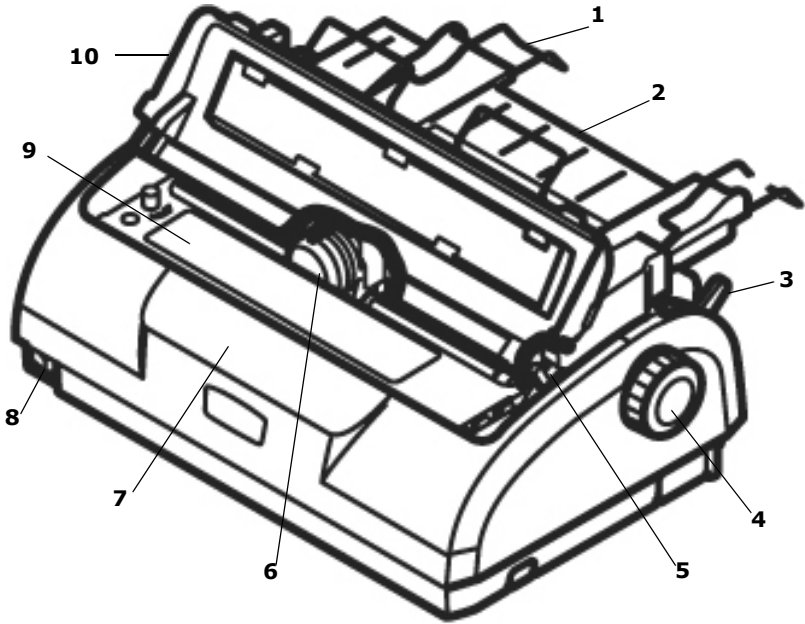
Contents

Parts of the Printer	5
Front View	5
Back View	6
Bottom View.	7
Control Panel	8
Buttons	8
Lights	9
Print Modes	10
Change Print Mode	10
Menus	11
Entering the Menu Mode	11
Changing Menu Settings	11
Groups, Items, and Settings.	12
Printer Control	12
Font	13
Symbol Sets.	14
Rear Feed	15
Bottom Feed.	17
Top Feed	18
Set-Up.	20
Parallel I/F	22
Serial I/F	23
Loading Paper	24
Loading Single Sheets	24
Loading Continuous Forms, Rear Feed	26
Loading Continuous Forms, Bottom Feed	28
Set Top of Form (TOF)	38
General Information	38
Use the Printer Menu	
Temporary TOF.	39
Form Tear Off	40
Turn On Forms Tear Off.	40

Move Continuous Forms Up for Tear Off.	40
Printhead Gap	41
Adjusting the Head Gap	41
Troubleshooting	42
Paper Jams, Individual Sheets	42
Paper Jams, Continuous Forms	42
Part Numbers	43
Ribbon	43
Specifications	44
Print Method	44
Printhead	44
Ribbon Life	44
Emulations	44
Interfaces (Standard)	44
Receive Buffer Size	44
Print Speed	44
Reliability	45
Print Media Specifications	45
Printer Dimensions	48
Printer Weight	48
Environmental Requirements	48
Electrical Requirements	48
Utilities	49
Overview	49
Accessing	49
Descriptions of Utilities	50
Installing the Utilities	51
OKI DIPUS (Dot Impact Printer Utilities)	52

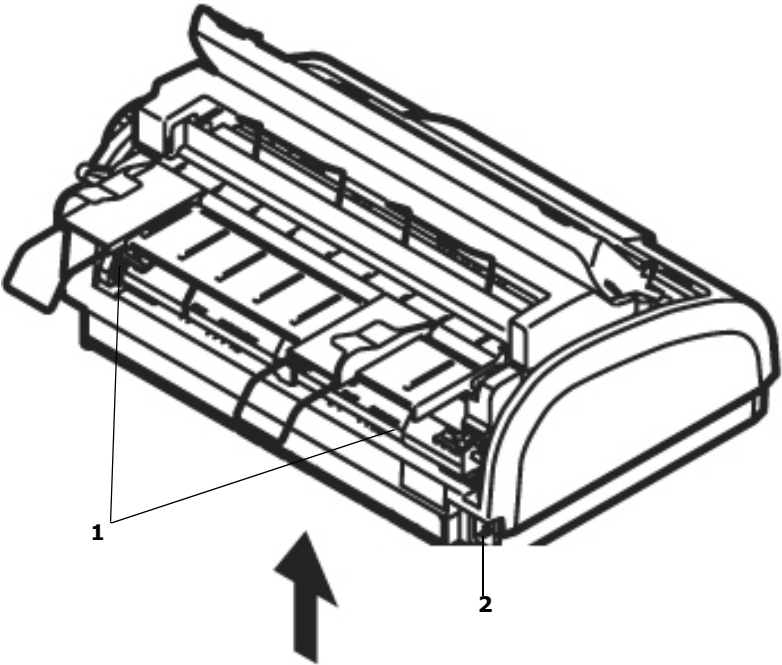
Parts of the Printer

Front View



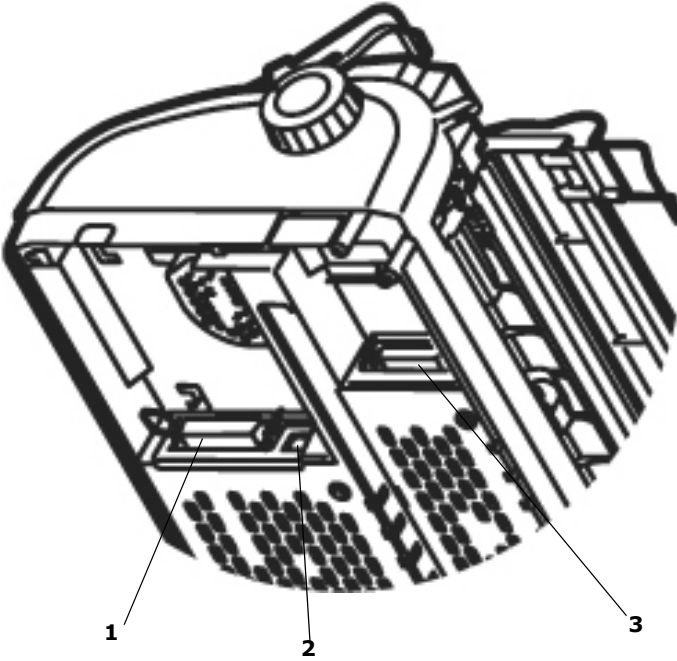
1. Sheet Guide
2. Paper Support
3. Paper Lever
4. Platen Knob (do not use)
5. Head Gap Lever
6. Printhead
7. Control Panel
8. On/Off Switch
9. Ribbon Cartridge
10. Cover, Top Assembly

Back View



- 1. Tractors
- 2. Power Cord Connector

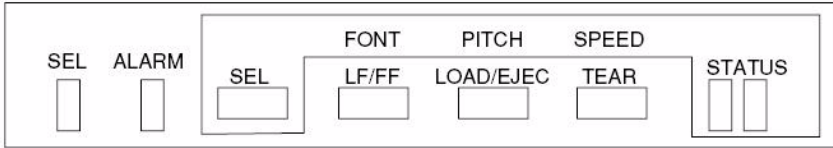
Bottom View



- 1. Parallel Port
- 2. USB Port
- 3. RS-232C Serial Port

Control Panel

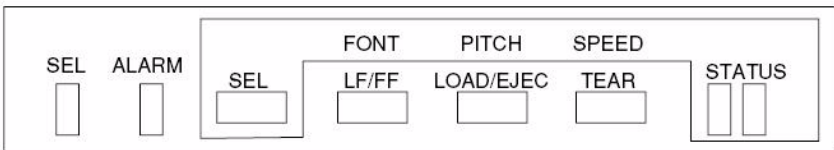
Buttons



Button	Print mode	Menu mode	Other
SEL	Toggles the printer on and off line	Scrolls through the menu groups	Held at power up, places printer in Menu mode
LF/FF	Advances the paper one line. Held down, advances paper to the next top of form or ejects single sheet from the printer	When entering Menu mode, prints the first line. Scrolls through the menu items.	SEL + LF/FF selects font
LOAD/EJECT	No paper loaded: feeds paper. Single sheet loaded: ejects sheet. Continuous forms loaded: parks paper.	When entering Menu mode, prints the first line. Scrolls through the menu settings.	SEL + LOAD/EJECT selects pitch
TEAR	Continuous forms loaded: advances paper to tearoff position		SEL + TEAR selects print speed.
LOAD/EJECT + LF/FF	Reverse fine line feed for Top of Form setting (printer deselected)		

Button	Print mode	Menu mode	Other
LOAD/ EJECT +SEL	Forward fine line feed for Top of Form setting (printer deselected)		
TEAR + SEL	Reverse fine line feed for Paper Tear setting		
TEAR + LF/FF	Forward fine line feed for Paper Tear setting		

Lights



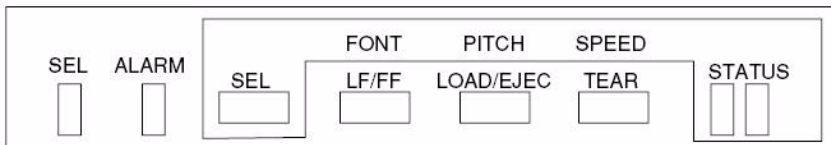
Light	Status, Function
SEL	On = Printer is on line Off = Printer is off line Flashing = Flashes with ALARM light to indicate a fault has been detected
ALARM	On, SEL light off = paper out Flashing = paper jam Flashing, SEL light flashing = auto diagnostics have detected an error
STATUS lights	Indicate print mode selections. See "Print Modes" on page 10.

Print Modes

Change Print Mode

You can change print modes directly from the front panel. Hold down the SEL button and press the button indicated below. The printer will cycle through the choices as indicated by the two STATUS lights. When you release the buttons the selection is set.

Nota During normal operation, the status lights show the font selection.



Button combination	Printing style	STATUS Light combination	
		Left	Right
SEL + LF/FF	Font		
	Near Letter Quality		On
	Utility	On	
	High Speed Draft		Flashing
	Super Speed Draft	Flashing	
SEL + LOAD/EJECT	Character pitch		
	10 CPI		On
	12 CPI	On	
	15 CPI		Flashing
	17 CPI	Flashing	
	20 CPI	On	On
	Proportional	Flashing	Flashing
SEL + TEAR	Print Speed		
	Normal		On
	High Speed	On	
	Quiet	On	On

Menus

The printer has an internal menu containing a number of default parameters which can be set to enable your printer to match the parameters required by your computer.

Entering the Menu Mode

To enter the Menu Mode, press **SEL** while turning on the printer.

Changing Menu Settings

1. Press **SEL** while turning on the printer.
2. Change settings:
 - a. Press **SEL** to select the relevant group that needs to be changed (the group is the left-hand column on the Menu printout).
 - b. Press **LF/FF** to select the relevant item within the selected group (the Item is the center column on the Menu printout).
 - c. Press **LOAD/EJECT** to cycle through the settings available for the item you want to change (the settings are the right-hand column on the Menu printout).
 - d. To continue making changes:
 - press **SEL** for the next *group*
or
 - press **LF/FF** for the next *item*.
3. Repeat the previous step until you are finished changing settings.
4. Hold down **TEAR**, then **LOAD/EJECT**, then **LF/FF** together to save the changes you have made and exit the Menu Mode.

Important

Exiting the Menu Mode by turning off the printer will cancel any changes you have made.

Groups, Items, and Settings

Each Group includes multiple Items, each of which has selectable Settings.

Group	Item 1	Setting 1 ... Setting X
	...	Setting 1 ... Setting X
	Item X	Setting 1 ... Setting X

List of Menu Groups

- Printer Control: see page 12
- Font: see page 13
- Symbol Sets: see page 14
- Rear Feed: see page 15
- Bottom Feed: see page 17
- Top Feed: see page 18
- Set-Up: see page 20
- Parallel I/F: see page 22
- Serial I/F: see page 23

Printer Control

Nota The default setting is in **bold blue italic** type.

Item	Settings
Emulation Mode	IBM <i>Epson</i> ML

Font

Nota The default setting is in **bold blue italic** type.

Item	Settings
Print Mode	Utility NLQ Courier NLQ Gothic DRAFT
DRAFT Mode	HSD SSD
Pitch	10 CPI 12 CPI 15 CPI 17.1 CPI 20 CPI
Proportional Spacing	No Yes
Style	Normal Italics
Size	Single Double * * Selects double width and double height characters.

Symbol Sets

Nota The default setting is in **bold blue italic** type.

Item	Settings
Character Set	<i>Standard</i> Line Graphics Block Graphics (ML emulation only) Set I (IBM emulation only) Set II (Epson emulation only)
Language Set	<i>American</i> French German British Danish 1 Swedish Italian Spanish I Japanese Norwegian Danish II Spanish II Latin American French Canadian Dutch Publisher
Zero Character	Slashed <i>Unslashed</i>
Code Page	<i>USA</i> Canada French Multilingual Portugal Norway BRASCII Abicom Multilingual 858 ISO 8859-15

Rear Feed

Nota The default setting is in **bold blue italic** type.

Item	Settings
Line Spacing	6 LPI 8 LPI
Form Tear-off	Manual 0.5 sec 1.0 sec 2.0 sec Note: The Form Tear Off feature allows you to advance continuous forms to the stacker for tear off. When Form Tear-off is activated (on), the paper will advance to the tear bar position AFTER the printer has been idle for the selected interval (0.5, 1, or 2 seconds). When more data is received and processed by the printer, the paper automatically returns to the original printing position.
Skip Over Perf.	No 25.4 mm (1")
Page Length	279.4 mm (11") 296.3 mm (11.67") 304.8 mm (12") 355.6 mm (14") 431.8 mm (17") 127.0 mm (5") 76.2 mm (3") 82.6 mm (3.25") 84.7 mm (3.33") 88.9 mm (3.5") 93.1 mm (3.67") 101.6 mm (4") 139.7 mm (5.5") 152.4 mm (6") 177.8 mm (7") 203.2 mm (8") 215.9 mm (8.5")
Cut position adjust	- 20 ~ - 1 0 + 1 ~ +20

Item	Settings
TOF adjust (continuous)	- 20 ~ - 1 0 + 1 ~ +20
Continuous paper top of form	2.12 mm (1/12") 4.23 mm (2/12") 6.35 mm (3/12") 8.47 mm (4/12") 10.58 mm (5/12") 12.70 mm (6/12") 14.82 mm (7/12") 16.93 mm (8/12") 19.05 mm (9/12") 21.17 mm (10/12") 23.28 mm (11/12") 25.40 mm (12/12") 27.52 mm (13/12") User Top of Form

Bottom Feed

Nota The default setting is in **bold blue italic** type.

Item	Settings
Line Spacing	6 LPI 8 LPI
Skip Over Perf.	No 25.4 mm (1")
Page Length	279.4 mm (11") 296.3 mm (11.67") 304.8 mm (12") 355.6 mm (14") 431.8 mm (17") 127.0 mm (5") 76.2 mm (3") 82.6 mm (3.25") 84.7 mm (3.33") 88.9 mm (3.5") 93.1 mm (3.67") 101.6 mm (4") 139.7 mm (5.5") 152.4 mm (6") 177.8 mm (7") 203.2 mm (8") 215.9 mm (8.5")

Top Feed

Nota The default setting is in **bold blue italic** type.

Item	Settings
Line Spacing	6 LPI 8 LPI
Page Length	279.4 mm (11") 296.3 mm (11.67") 304.8 mm (12") 355.6 mm (14") 431.8 mm (17") 127.0 mm (5") 76.2 mm (3") 82.6 mm (3.25") 84.7 mm (3.33") 88.9 mm (3.5") 93.1 mm (3.67") 101.6 mm (4") 139.7 mm (5.5") 152.4 mm (6") 177.8 mm (7") 203.2 mm (8") 215.9 mm (8.5")
Top Feed Wait Time	Invalid 0.5 sec 1.0 sec 2.0 sec
Page Length Control	by Menu Setting by Actual Page Length
Cut sheet auto eject position	6.35 mm (3/12") 12.70 mm (6/12") 14.82 mm (7/12")
TOF adjust (cut sheet)	- 20 ~ - 1 0 + 1 ~ +20

Item	Settings
Cut Sheet top of form	2.12 mm (1/12") 4.23 mm (2/12") 6.35 mm (3/12") 8.47 mm (4/12") 10.58 mm (5/12") 12.70 mm (6/12") 14.82 mm (7/12") 16.93 mm (8/12") 19.05 mm (9/12") 21.17 mm (10/12") 23.28 mm (11/12") 25.40 mm (12/12") 27.52 mm (13/12") User Top of Form
Cut Sheet LF adjust	- 14 ~ - 1 0 + 1 ~ + 14

Set-Up

Nota The default setting is in **bold blue italic** type.

Item	Settings
Graphics	Bi-directional <i>Uni-directional</i>
7 or 8 Bits Graphics (ML emulation only)	8 <i>7</i>
Receive Buffer Size	1 Line 32 K <i>64 K</i>
Paper Out Override	<i>No</i> Yes
Print Registration 1	- 10 ~ - 1 <i>0</i> + 1 ~ + 10
Print Registration 2	- 10 ~ - 1 <i>0</i> + 1 ~ + 10
Print Registration 3	- 10 ~ - 1 <i>0</i> + 1 ~ + 10
7 or 8 Bits Data Word (ML emulation only)	<i>8</i> 7
Operator Panel Function	<i>Full Operation</i> Limited Operation
Reset Inhibit	<i>No</i> Yes
Print Suppress Effective	No <i>Yes</i>
Auto LF	<i>No</i> Yes
Auto CR (IBM emulation only)	<i>No</i> Yes
Print DEL Code (ML emulation only)	<i>No</i> Yes

Item	Settings
SI Select Pitch (10 CPI)	15 CPI 17.1 CPI
SI Select Pitch (12 CPI)	12 CPI 20 CPI
Time Out Print	Valid Invalid
Auto Select	Yes No
Host Interface	Auto Interface Parallel USB Serial
I/F Time Out	15 sec 30 sec 45 sec 1 min. 2 min. 3 min. 4 min. 5 min.
ESC SI Pitch (IBM emulation only)	17.1 CPI 20 CPI
Print Style	Normal High Speed Quiet
Select Quiet Mode	Mode 1 Mode 2 (printing at half speed to reduce noise)
Reverse Feed Control	TOF stop TOF over
Centering Position (Continuous)	Default Mode 1 Mode 2
Centering Position (Cut Sheet)	Default Mode 1 Mode 2

Item	Settings
Power Saving	Enable Disable
Power Save Time	5 min 10 min 15 min 30 min 60 min
Paper End	On-line Off-line

Parallel I/F

Nota The default setting is in **bold blue italic** type.

Item	Settings
I-Prime	Invalid Buffer Print Buffer Clear
AUTO FEED XT (Epson emulation only)	Valid Invalid
Bi-Direction	Enable Disable

Serial I/F

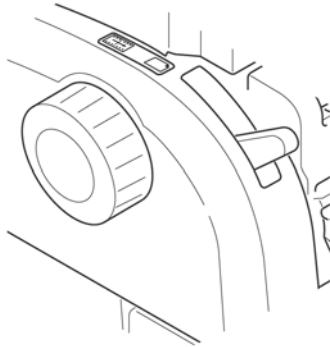
Nota The default setting is in **bold blue italic** type.

Item	Settings
Parity	<i>None</i> Odd Even Ignore
Serial Data 7/8 Bits	<i>8 Bits</i> 7 Bits
Protocol	<i>DTR</i> X-ON/X-OFF DTR & X-ON/X-OFF
Diagnostic Test	<i>No</i> Yes
Baud Rate	9600 BPS 4800 BPS 2400 BPS 1200 BPS 600 BPS 300 BPS <i>19200 BPS</i>
DTR Signal	<i>Ready on Power Up</i> Ready on Select
Busy Time	<i>0.2 sec</i> 1.0 sec

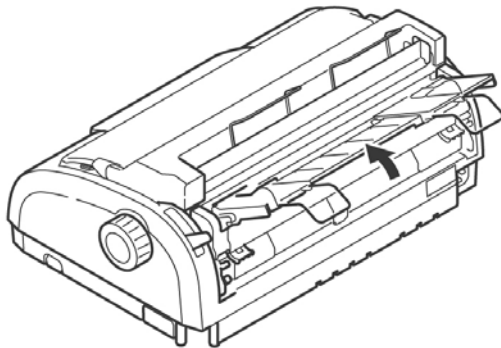
Loading Paper

Loading Single Sheets

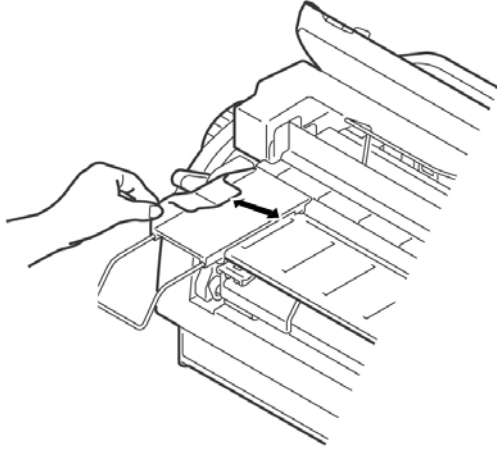
1. If continuous form paper is in the printer, press the LOAD/EJECT button to move it out of the paper path. If not, make sure the printer is on and on line (SEL light lit).
2. Move the paper lever—on the right side of the printer—toward the front of the printer to the single sheet symbol.



3. Raise the paper separator.



4. Adjust the left sheet guide on the paper separator so that it touches the triangle mark on the paper separator.



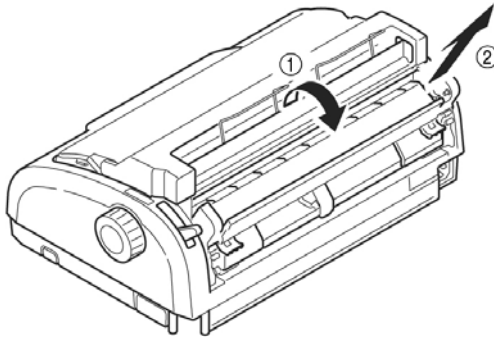
5. Adjust the right sheet guide for the width of the paper.
6. Place a piece of paper on the paper separator. The printer will automatically feed it to the top of form position.

Loading Continuous Forms, Rear Feed

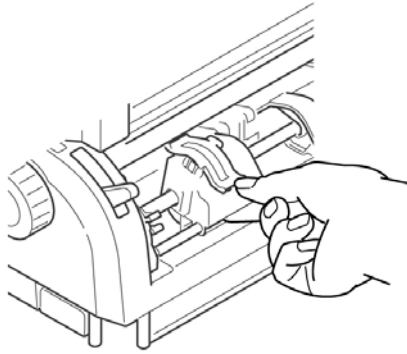
1. Make sure the printer is turned off.
2. Move the paper lever—on the right side of the printer—toward the front of the printer to the continuous forms symbol.



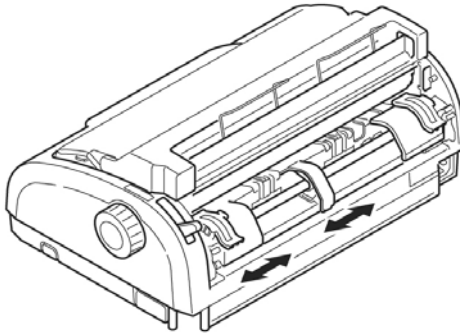
3. Place the stack of continuous forms paper behind the printer.
4. Push down and out to remove the paper separator along with the piece on the back of the printer that holds it in place.



5. Pull the lock levers on the sprocket wheels forward and open the sprocket covers.



6. Adjust the wheels so the sprockets align with the holes in the continuous forms you are using.



7. Close the sprocket covers and push the levers back to lock the sprocket wheels in position.
8. Replace the paper separator.
9. Turn the printer on.
10. Press the Load/Eject button. The paper advances to the print position. Do not use the platen knob to adjust the paper.

Loading Continuous Forms, Bottom Feed

This is a two-step process.

Step 1: Move the tractor assembly from rear feed to bottom feed.

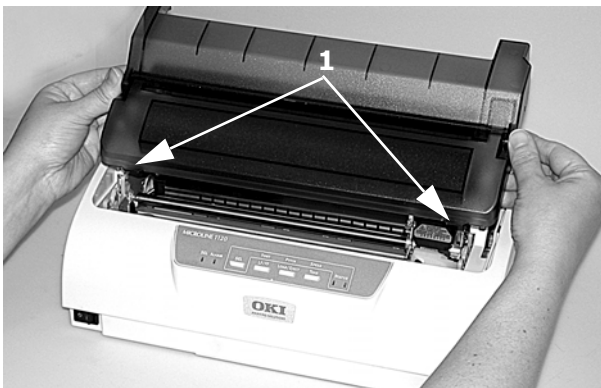
Step 2: Load paper.

Step 1: Move the Tractor Assembly

1. Begin with the front of the printer facing you.

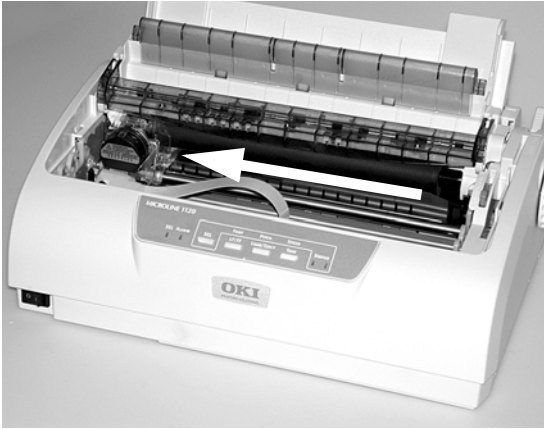


2. Make sure the printer is turned off.
3. Disconnect the power cord.
4. Remove the Cover Access Assembly. Gently slide it back and up. Be careful not to break the two tabs (1) at the front.

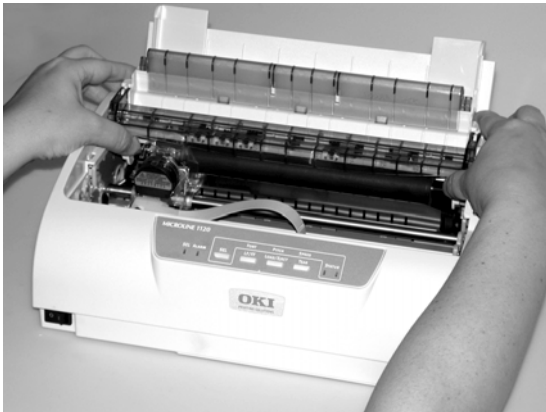


Caution The printhead may be HOT!

5. Move the printhead assembly to the left.

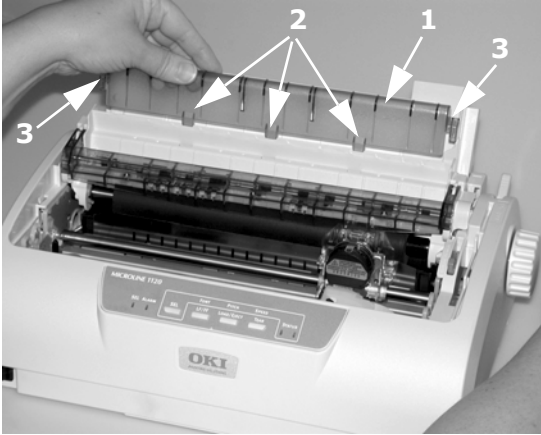


6. Hold the Pull Up Roller Unit as shown. Push from the back and release one side of the assembly. Then, release the other side and remove the assembly.

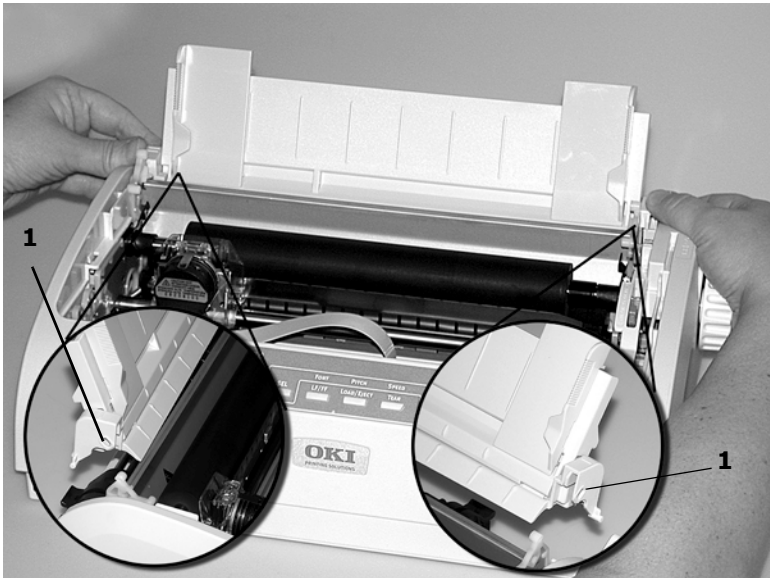


7. The wire guide may detach (1). If it does, replace it.

Insert the three front tabs (2) into the front slots and make sure the rear guides (3) fit behind the rear support.

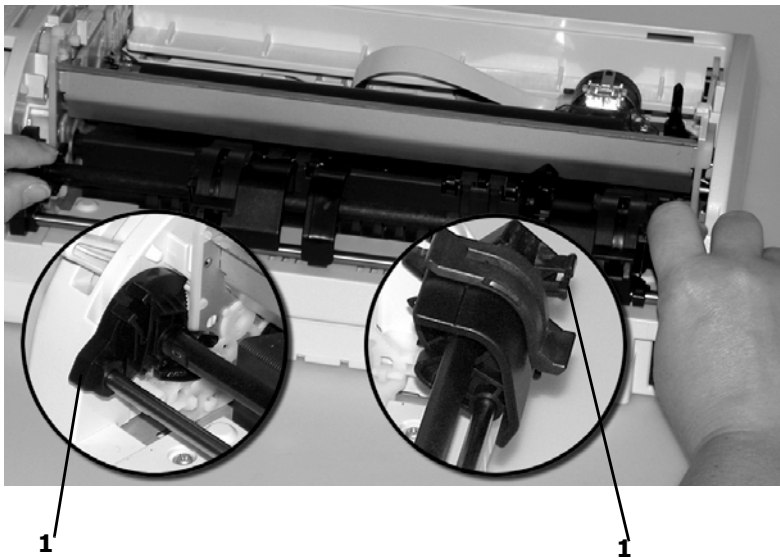


8. Remove the rear cover. Push in to release the collar (1) from the post (both sides) and rotate.

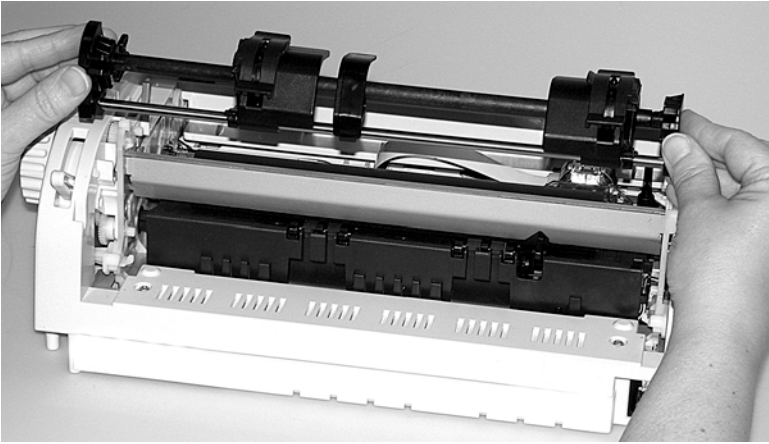




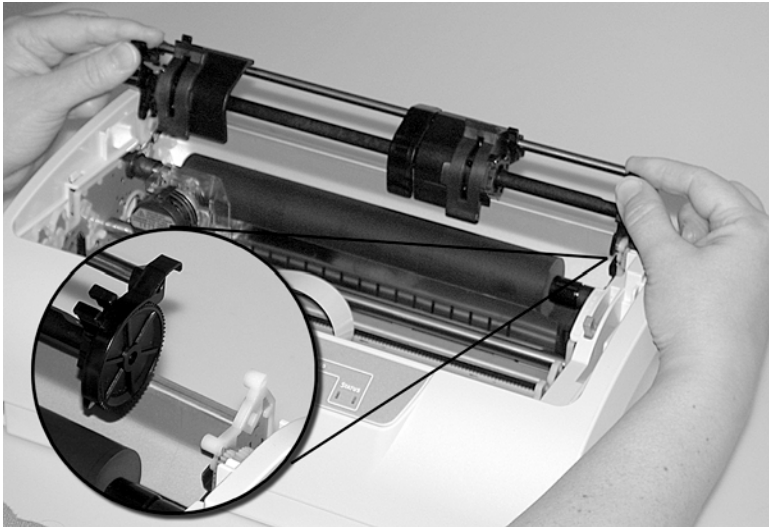
9. Turn the printer so the back of the printer is facing you.
10. Remove the tractor assembly. Squeeze the handles (1) to release the clamps [on both sides].



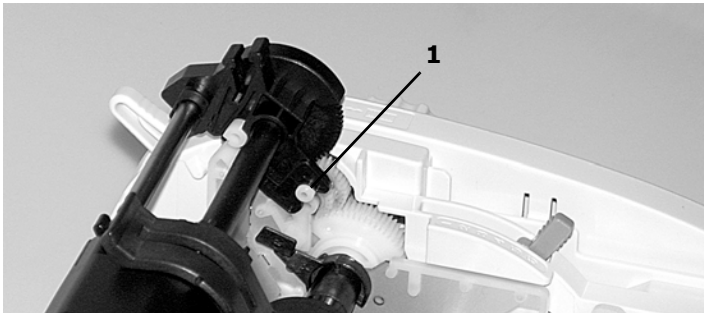
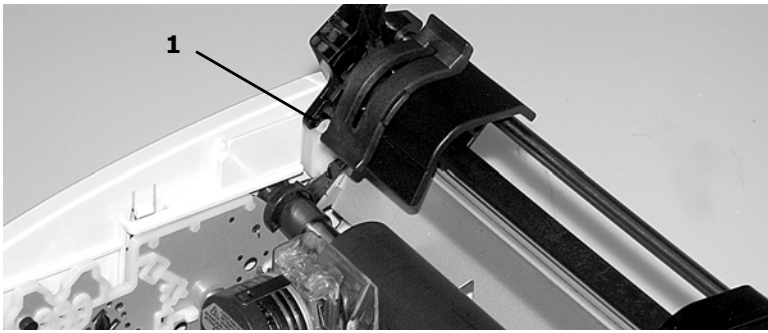
Keep squeezing and lift and rotate the assembly out of the printer.



- 11.** Turn the printer so the front of the printer is facing you.
- 12.** Position the tractor assembly as shown. The gear assembly is on the right.

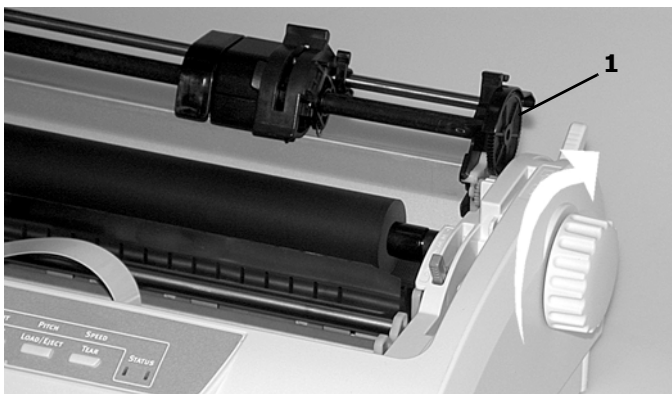


13. Put the arms over the pivot points (1) .

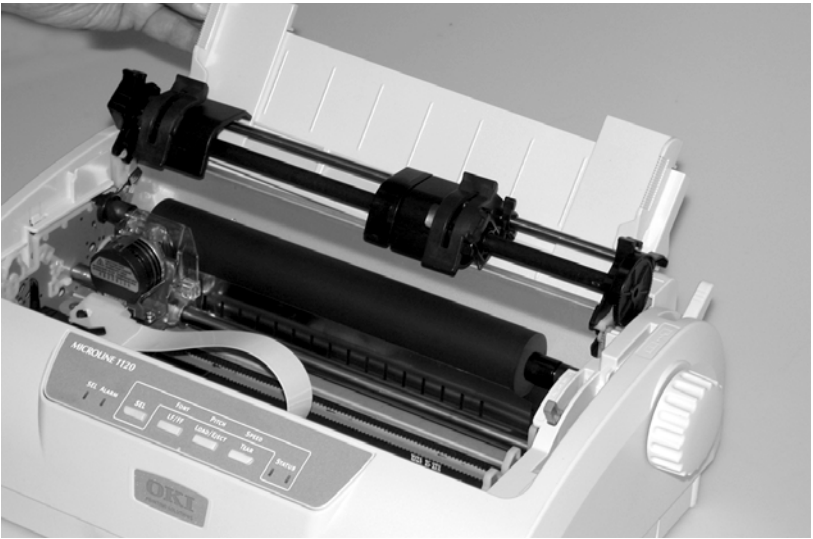
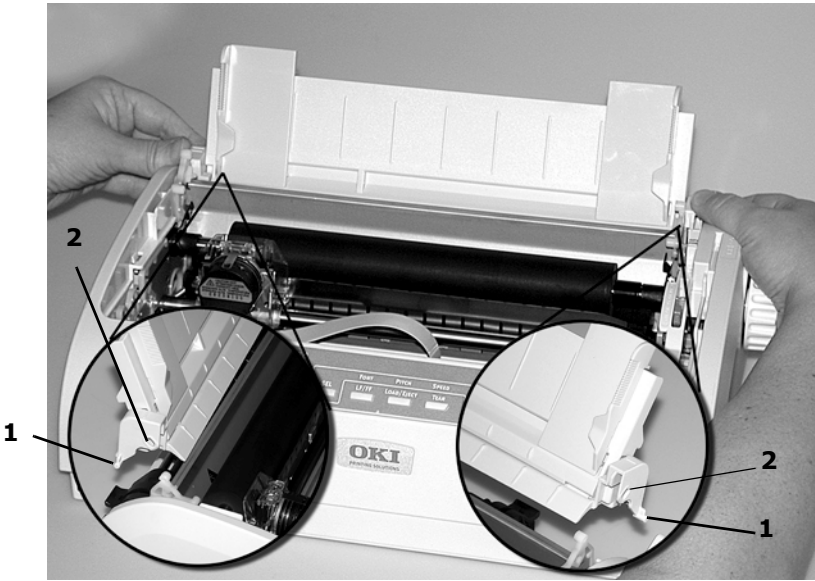


14. Rotate the unit back until the clamps close over the back pins.

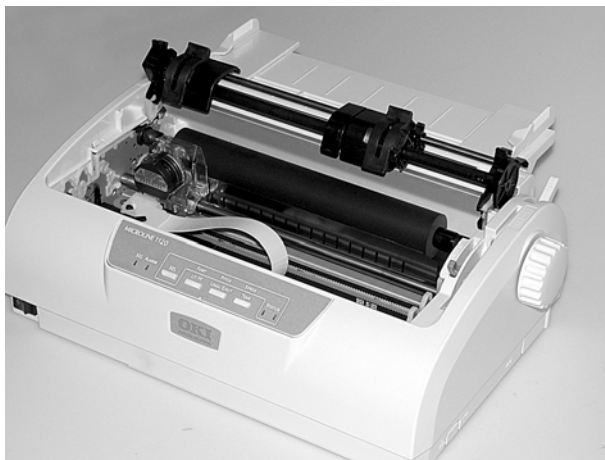
15. Turn the platen knob. If the tractor assembly is correctly installed, the gear (1) will turn. If the gear does not turn as you turn the platen knob, repeat steps 12 through 14.



16. Install the rear cover. Position the pins (1) in the guides. Gently rotate the cover until the collars (2) lock over the posts.



The cover must be DOWN to work with the tractor assembly.



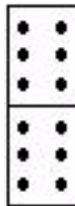
17. Install the top cover assembly.



Step 2: Load Paper

Nota *If using single-part forms, maximum paper weight is 18 lb. (64 g/m²).*

1. Make sure the printer is turned off.
2. Remove the top cover.
3. Move the paper lever—on the right side of the printer—toward the front of the printer to the continuous forms symbol.



4. Place the stack of continuous forms paper below the printer. Bring the paper up through the slot on the bottom of the printer.
5. Pull the lock levers on the sprocket wheels forward and open the sprocket covers.
6. Adjust the wheels so the sprockets align with the holes in the continuous forms you are using.

7. Close the sprocket covers and push the levers back to lock the sprocket wheels in position.



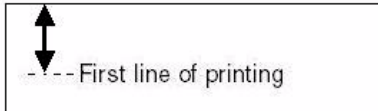
8. Replace the top cover.
9. Turn the printer on.
10. Press the Load/Eject button. The paper advances to the print position. Do not use the platen knob to adjust the paper.

Set Top of Form (TOF)

General Information

The default top of form is set in the printer menu.

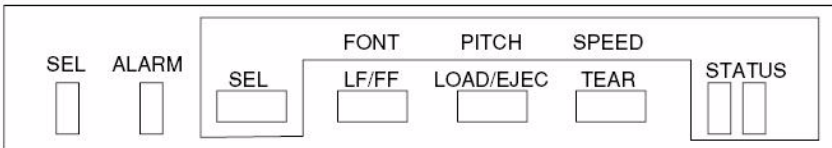
The factory default for TOF is 1/4-inch (6.4 mm), equivalent to the distance down from the top of the sheet to the horizontal midpoint of the first line of printed characters.



You can establish one custom TOF setting for each feed path (Top Cut Sheet and Rear Continuous Form) and store it in the printer's memory. This selection will then automatically appear as the setting for TOF for the corresponding group in the Menu.

You can also use the control panel switches to set a temporary TOF for one sheet or one continuous form.

Use the Printer Menu



Nota The printer default for TOF is 1/4-inch (6.4 mm).

1. Turn the printer on while holding down the SEL button.
*The printer enters the Menu. **PRINTER CONTROL** prints.*
2. Press SEL repeatedly until the feed path for which you wish to change the TOF appears: **REAR FEED** or **TOP FEED**.
3. Press LF/FF repeatedly until **CONTINUOUS PAPER TOP OF FORM** or **CUT SHEET TOP OF FORM** prints.
4. Press LOAD/EJECT repeatedly until the setting you wish to engage prints.
Choices are: 2.12 mm (1/12"), 3.18 mm (1/8"), 6.35 mm (1/4"), 7.62 mm (3/10"), 8.47 mm (1/3"), 10.58 mm (5/12"), 21.59 mm (0.85"), 23.28 mm (11/12"), 25.4 mm (1"), or 27.52 mm (13/12").
5. Press and hold TEAR, then LOAD/EJECT, then LF/FF. This saves your setting and exits the menu mode.

Temporary TOF

Use the Control Panel

This TOF setting applies only to the sheet or continuous form loaded into the printer when the setting is made. The next sheet or form feeds to the selected default TOF.

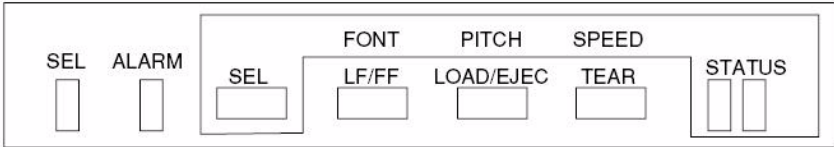
1. With paper loaded in the print path, press SEL to put the printer offline.
2. Change the location of the first line of printing:
 - a. To move the *TOF* further *down* on the page (print paper advances further into the printer):
 - In 1/144-inch (0.18 mm) increments: press and hold LOAD/EJECT, then press LF/FF.
 - One line at a time: press LF/FF.
 - b. To move the *TOF* further *up* on the page (print paper retracts further out of the printer):
 - In 1/144-inch (0.18 mm) increments: press and hold the LOAD/EJECT, then press LF/FF.
3. Press SEL to return the printer to the on-line state.
4. Send the print job.

Form Tear Off

The Form Tear Off feature allows you to advance continuous forms to the stacker for tear off.

The printer default for Forms Tear Off is Off. To use this feature, you must enter the printer menu and turn it on.

Turn On Forms Tear Off



1. Turn the printer on while holding down the SEL button.
2. Simultaneously press SHIFT and MODE to enter the Function Settings Menu.

PRINTER CONTROL prints.

3. Press SEL repeatedly until **REAR FEED** prints.
4. Press LF/FF repeatedly until **FORM TEAR-OFF** prints.
5. Press MODE repeatedly until the interval you want to select (2 seconds, 1 second, or 500 milliseconds) prints.
6. Press and hold TEAR, then LOAD/EJECT, then LF/FF. This saves your setting and exits the menu mode.

Move Continuous Forms Up for Tear Off

Press TEAR to move continuous forms to the tear off position.

Printhead Gap

Adjusting the Head Gap

The head gap is the distance between the printhead and the platen roller. When you use envelopes or multipart forms, you need to have a larger gap than when using plain paper. Use the recommended head gap to ensure the best print quality and easy paper feed.

CAUTION!

Incorrect setting of the head gap can cause printhead damage or ribbon jams. To avoid these problems set the head gap for the type of media being used.

To adjust the head gap, remove the access cover. Then move the lever on the right side of the ribbon cartridge to the correct position for the type of media being used as detailed in the following tables.

Lever Positions: by Paper Thickness

Paper Thickness	Lever Position
0.06 - 0.10 mm	1
0.11 - 0.18 mm	2
0.19 - 0.25 mm	3
0.26 - 0.32 mm	4
0.33 - 0.39 mm	5 *
0.40 - 0.46 mm	6 *

* print quality not guaranteed

Lever Positions: by Paper Type

Paper Type	Lever Position
Single sheets, 14-22 lb (52-81 g/m ²)	1
Single sheets, 22-34 lb (81-128 g/m ²)	2
Envelopes	4
Forms, 2-part	2
Forms, 3-part	2
Forms, 4-part	3
Forms, 5-part	4

Troubleshooting

Paper Jams, Individual Sheets

If a paper jam is indicated by a blinking ALARM light use the following method to clear it.

Caution! *The printhead may be very hot after printing. Allow the printhead to cool before touching it.*

1. Turn OFF the power switch.
2. Open the cover and move the printhead [**Caution! Printhead may be HOT!**] to an area off the sheet of paper.
3. Turn the platen knob forward or backward to bring out the jammed sheet.

Paper Jams, Continuous Forms

If a paper jam is indicated by a blinking ALARM light use the following method to clear it.

Caution! *The printhead may be very hot after printing. Allow the printhead to cool before touching it.*

1. Turn OFF the power switch.
2. Tear off the continuous form from the paper stack.
3. Turn the platen knob to bring out the continuous forms.

Part Numbers

Ribbon

Black 43571801

Specifications

Specifications subject to change without notice.

Print Method

- Impact dot matrix

Printhead

- 9 pin, 0.3 mm diameter
- Thermal protection
- Life: 400 million strokes / wire (200 million characters)

Ribbon Life

- 4 million characters (Utility)

Emulations

- IBM Proprinter
- Epson FX
- ML

Interfaces (Standard)

- Centronics Parallel, IEEE-1284 compliant
- USB 2.0
- RS232-C Serial

Receive Buffer Size

- Selectable 0 or 128 Kbytes

Print Speed

Print speed varies according to the paper thickness/number of copies, font size, and print quality.

Print Mode	Speed
High Speed Draft (HSD)	333 cps
Near Letter Quality (NLQ)	62.5 cps
Utility	250 cps
Super Speed Draft (SSD)	375 cps, 12 cpi only

Reliability

Parameter	Reliability
Mean Time Between Failures (MTBF)	10.000 hours at 25% duty cycle and 35% page density
Mean Time to Repair (MTTR)	30 minutes

Print Media Specifications

Single Sheets

Nota *Recycled paper can be printed, but please note the following:*

- *Recycled paper tends to leave behind more paper dust, requiring more frequent cleaning of the printer.*
- *Recycled paper is easily affected by humidity and should not be used in humid environments.*

Width

Minimum

- 3.9 inches (100 mm)

Maximum

- 10 inches (254 mm)

Length

Minimum

- 3.9 inches (100 mm)

Maximum

- 10 inches (254 mm)

Weight

- 14 to 24 lb. US Bond (52 to 90 g/m²)

Print Media Specifications (cont.)

Individual Multi-Part Forms

Nota *Recycled paper can be printed, but please note the following:*

- *Recycled paper tends to leave behind more paper dust, requiring more frequent cleaning of the printer.*
- *Recycled paper is easily affected by humidity and should not be used in humid environments.*

Width

Minimum

- 3.9 inches (100 mm)

Maximum

- 10 inches (254 mm)

Length

Minimum

- 3.9 inches (100 mm)

Maximum

- 10 inches (254 mm)

Thickness

Normal Mode

- Up to 5 parts (original + 4)
- Up to 0.015-inch (0.39 mm) thick

Print Media Specifications (cont.)

Continuous Single-Part Forms

Nota *Recycled paper can be printed, but please note the following:*

- *Recycled paper tends to leave behind more paper dust, requiring more frequent cleaning of the printer.*
- *Recycled paper is easily affected by humidity and should not be used in humid environments.*

Width

- Minimum: 4 inches (101.6 mm)
- Maximum: 10 inches (254 mm)

Weight

- 14 to 22 lb. US Bond (52 to 82 g/m²)

Continuous Multi-Part Forms

Width

- Minimum: 4 inches (102 mm)
- Maximum: 10 inches (254 mm)

Thickness

- Up to 5 parts (original + 4)
- Up to 0.014-inch (0.36 mm) thick

Envelopes

Nota *Recycled paper can be printed, but please note the following:*

- *Recycled paper tends to leave behind more paper dust, requiring more frequent cleaning of the printer.*
- *Recycled paper is easily affected by humidity and should not be used in humid environments.*

6.5 x 3 5/8 inches (165 x 92 mm)

8 7/8 x 3 7/8 inches (225 x 98 mm)

9.5 x 4 1/8 inches (241 x 104 mm)

Printer Dimensions

Width: 13.8 inches (349 mm)

Depth: 9.1 inches (232 mm)

Height: 5.9 inches (150 mm)

Printer Weight

Printer main body only, 9.3 lb. (4.2 kg)

Environmental Requirements

Parameter	Range
Temperature	
Operating	41 to 95°F
	5 to 35°C
Storage	14 to 122°F
	-10 to +95°C
Humidity	
Operating	20 to 80% RH
Storage	5 to 95% RH

Electrical Requirements

Voltage

- 120 Volt Model
 - 100 volts ac ($\pm 10\%$)
 - 127 volts ac ($\pm 10\%$)
- 230 Volt Model
 - 220 volts ac ($\pm 10\%$)
 - 240 volts ac ($\pm 10\%$)

Power Consumption

- Operating: 33 W or less
- Standby: 2.5 W or less

Utilities

Overview

The following utilities are available for your printer.

- Dot Impact Printer Utilities (OKI DIPUS)

 - Status Monitor

 - Menu Setup Utility

 - Top of Form Setup Utility

 - Switch Setup Utility

Accessing

You may access the utilities via the CD shipped with the printer

Here is a list of the utilities provided on the CD shipped with your printer.

- Dot Impact Printer Utilities (OKI DIPUS)

 - Status Monitor

 - Menu Setup Utility

 - Top of Form Setup Utility

 - Switch Setup Utility

Descriptions of Utilities

OKI DIPUS (Dot Impact Printer Utilities)

This is a set of utilities that allow you to control the printer from your computer. These utilities support 32-bit or 64-bit Windows operating systems, including Vista, using parallel, USB, or network connections. See the help for details on using these utilities.

The utilities are:

- Status Monitor

- Menu Setup Utility

- Top of Form Setup Utility

- Switch Setup Utility

See "OKI DIPUS (Dot Impact Printer Utilities)" on page 52.

Installing the Utilities

Windows

Utilities on the CD

Load the utilities from the Menu Installer located on the CD supplied with your printer.

OKI DIPUS (Dot Impact Printer Utilities)

General Information

This is a set of utilities that allow you to control the printer from your computer. These utilities support 32-bit or 64-bit Windows operating systems, including Vista, using parallel, USB, or network connections.

The utilities are:

- Status Monitor
- Menu Setup Utility
- Top of Form Setup Utility
- Switch Setup Utility

How to Install

Load this program from the Menu Installer located on the CD.

Additional Information

See the Help for details on using these utilities.

Status Monitor

The Status Monitor is a small background program that keeps track of the state of your printer. It tells you when the printer is functioning normally, when there is a problem, such as a paper jam or communication error, and when consumables are running low.

Normally, the Status Monitor appears on the task bar as an icon, which changes color to show the printer's status. You can set it to pop up in a window when an alert or error condition occurs.

Menu Setup Utility

This utility lets you change your printer's menu settings from your computer. You can also save frequently-used settings to a file on your computer for quick resetting.

Top of Form Setup Utility

This utility lets you set the top of form from your computer for each available paper path. You can also save frequently-used settings to a file on your computer for quick resetting.

Switch Setup Utility

This utility lets you disable buttons on the printer from your computer. It is mainly for use by administrators to keep multiple users from accidentally changing settings on the printer.

Free Manuals Download Website

<http://myh66.com>

<http://usermanuals.us>

<http://www.somanuals.com>

<http://www.4manuals.cc>

<http://www.manual-lib.com>

<http://www.404manual.com>

<http://www.luxmanual.com>

<http://aubethermostatmanual.com>

Golf course search by state

<http://golfingnear.com>

Email search by domain

<http://emailbydomain.com>

Auto manuals search

<http://auto.somanuals.com>

TV manuals search

<http://tv.somanuals.com>