

Quick Start Guide

Start Here

It is strongly recommended that you follow these step-by-step instructions to set up and quickly begin using your new Digital Camera.

STEP

1 UNPACK THE BOX CONTENTS

Provided contents may differ depending on the camera kit. Make sure you have all the items shown in the provided contents list (printed separately).

REVIEW THE DOCUMENTATION

Quick Start Guide (this document)
Getting started with your digital camera.

Quick Reference Guide (reverse side of this document)
Quick guide to using common features and functions.

Advanced Manual
Detailed instructions on all camera features and functions.

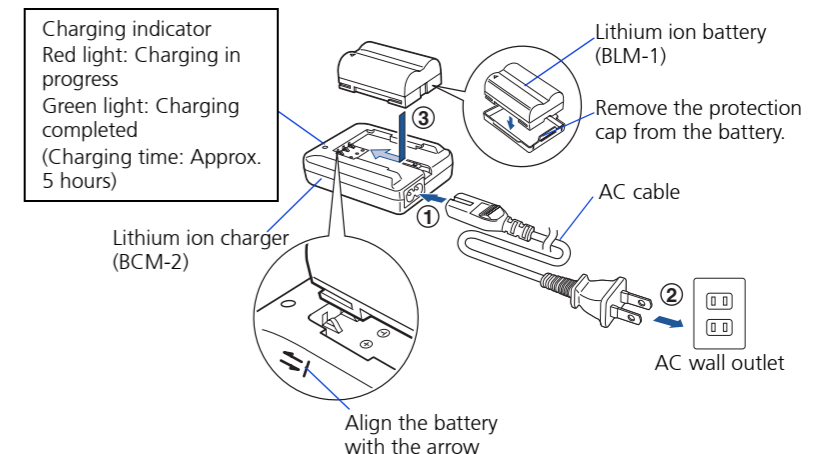
Software Installation Guide (separate document on OLYMPUS Master CD-ROM)
Detailed instructions on installing the OLYMPUS Master software.

System chart

STEP

2 CHARGING THE LITHIUM ION BATTERY

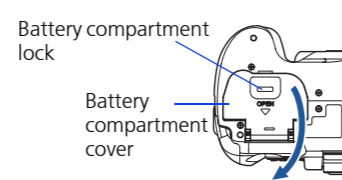
Charge the Lithium ion battery using the provided charger. The Lithium ion battery is not fully charged when purchased. Before use, be sure to charge the Lithium ion battery.



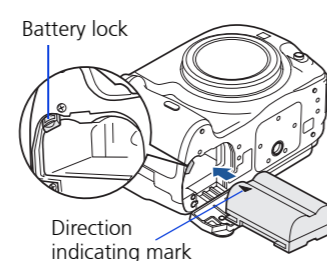
STEP

3 LOADING THE BATTERY

a. Push the battery compartment lock slightly towards ∇ and open the battery compartment cover.



b. Load and push the battery in until it is locked by the battery lock.



Unloading the battery

Press the battery lock to unlock and remove the battery.

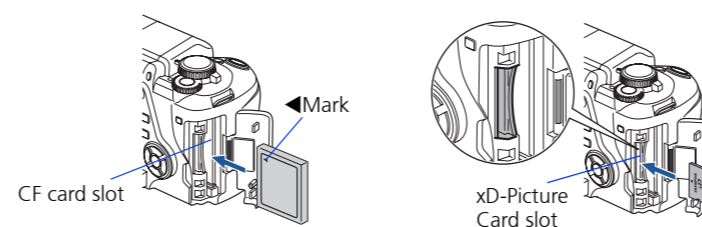
STEP

4 INSERT THE MEMORY CARD

This camera can use a Compact Flash, Microdrive or xD-Picture Card. These cards are optional.

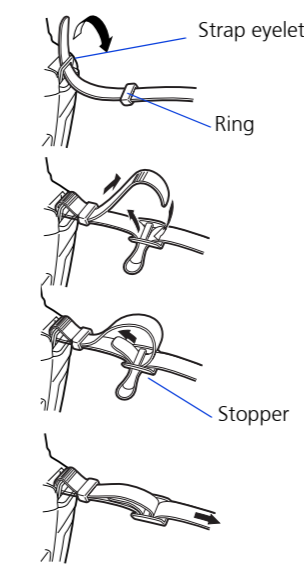
a. Insert the card with the contact area facing in the direction shown in the illustration.

b. Close the card cover.



STEP

5 ATTACH THE STRAP

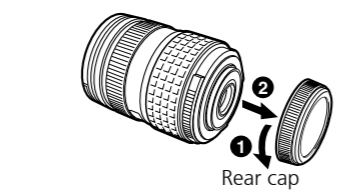


- Thread one end of the strap through the strap eyelet on the camera.
- Thread the end of the strap through the ring, then thread it through the stopper as indicated by the arrows.
- Thread the strap back through the other hole of the stopper.
- Pull the other side of the strap tight, making sure that it is fastened securely.
- Repeat steps (a) - (d) to attach the other end of the strap to the other eyelet.

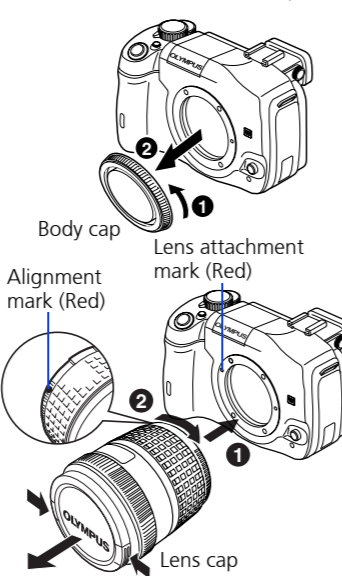
STEP

6 ATTACH A LENS

a. Remove the body cap from the camera and the rear cap from the lens.



b. Align the lens attachment mark (red) on the camera with the alignment mark (red) on the lens, then insert the lens into the camera's body. Rotate the lens clockwise until you hear it click.



c. Remove the lens cap.

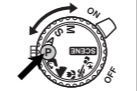
STEP

7 TURN ON THE CAMERA

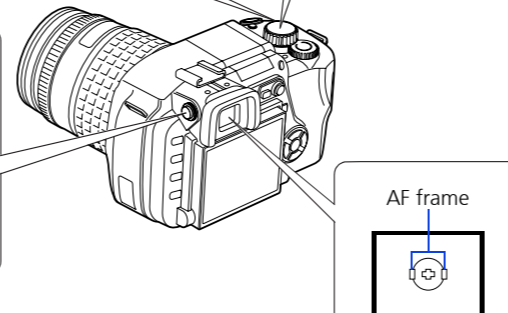
a. Set the power switch to **ON**. To turn off the power, set the power switch to **OFF**.



b. Set the mode dial to **P**.



c. While looking through the viewfinder, rotate the diopter adjustment dial little by little. When you can see the AF frame clearly, adjustment is complete.



STEP

8 SET THE DATE AND TIME

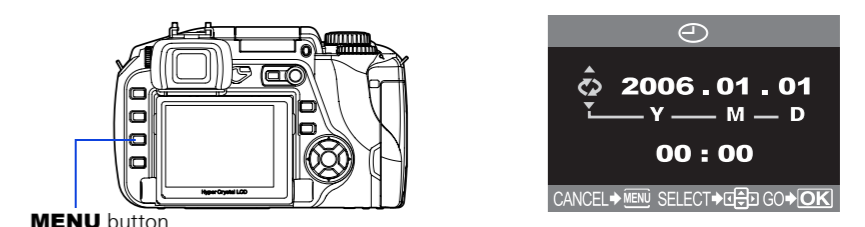
a. With the camera on, press the **MENU** button.

b. Use \leftarrow to select **Tz** tab, then press \rightarrow . Use \leftarrow to select **Y M D**, then press \rightarrow .

c. Use \leftarrow to select the date format, then press \rightarrow .

d. Use \leftarrow to set each item and press \rightarrow to move to the next item.

e. Press the \odot button when you have finished entering the date and time.

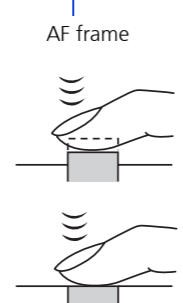
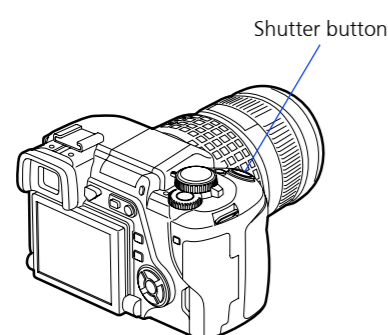
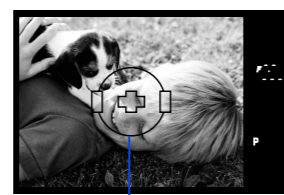


STEP

9 TAKING A PICTURE

a. Place the AF frame on the subject while viewing through the viewfinder.

b. Press and hold the shutter button halfway to lock the focus and exposure, then press the shutter button completely to take the picture.



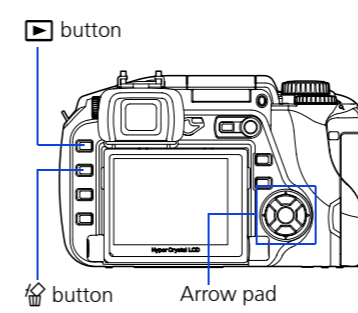
STEP

10 REVIEWING AND ERASING A PICTURE

a. Press the \square (playback) button. The last picture taken is displayed.

b. Use the arrow pad to select images you want to view.

c. To return to the shooting mode, press the shutter button halfway.



ERASING A PICTURE

a. Select the picture you want to erase and press the \square button.

b. Use \leftarrow to select **[YES]**, then press the \odot button.

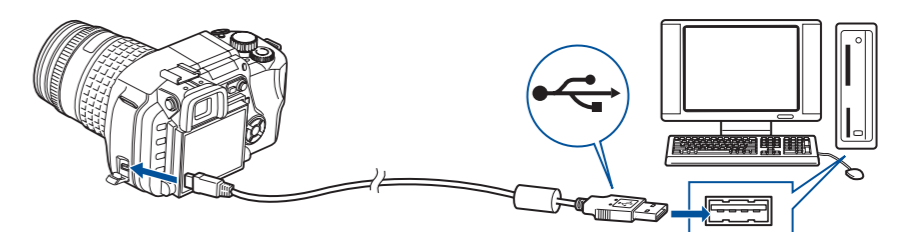


STEP

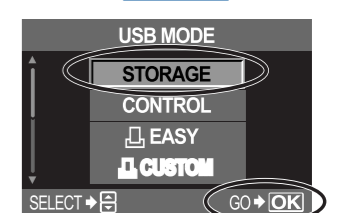
11 CONNECTING THE CAMERA TO A COMPUTER

a. Make sure the camera is off.

b. Connect the camera to the computer using the USB cable (included). Set the camera's power switch to **ON**.



c. Use \leftarrow to select **[STORAGE]**. Press the \odot button.

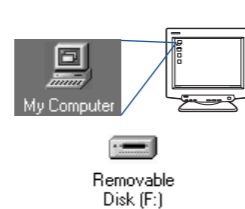


STEP

12 VERIFY CAMERA CONNECTION

WINDOWS:

a. From the desktop ("Start" menu for XP), open "My Computer".



b. Verify that the "Removable Disk" icon representing the camera is displayed.



MACINTOSH:

a. Verify that the "NO_NAME" icon representing the camera is displayed.



- The above steps confirm that the camera has been installed correctly. You can transfer your images immediately using the standard drag and drop procedure, or enhance your experience using OLYMPUS Master software (included).

STEP

13 ABOUT THE CD-ROM DISK



Now that you've mastered the basic functionality of your new Olympus Digital Camera, you are ready to begin exploring the possibilities that digital photography brings to your computer. Activities such as photo editing, printing and much more are only steps away!

OLYMPUS Master software: Download pictures from the camera, view, organize, retouch, e-mail and print your digital photos and movies and more! This CD also contains the complete software users manual in Adobe Acrobat (PDF) format.

STEP

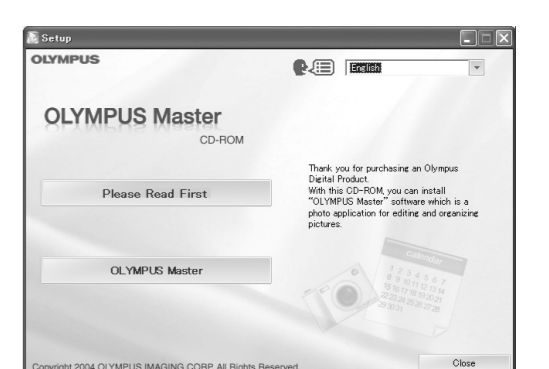
14 INSTALLING THE CAMERA SOFTWARE

a. Insert the OLYMPUS Master CD-ROM into your computer's CD-ROM drive.

b. For Windows:
Click the "OLYMPUS Master" button in the "Setup" window.

For Macintosh:
Double-click the "Installer" icon.

c. Follow the on-screen instructions. For more details, click "Please Read First".



Please refer to the Quick Reference Guide on the reverse side of this sheet to familiarize yourself with the commonly used features and functions of your new Olympus Digital Camera.

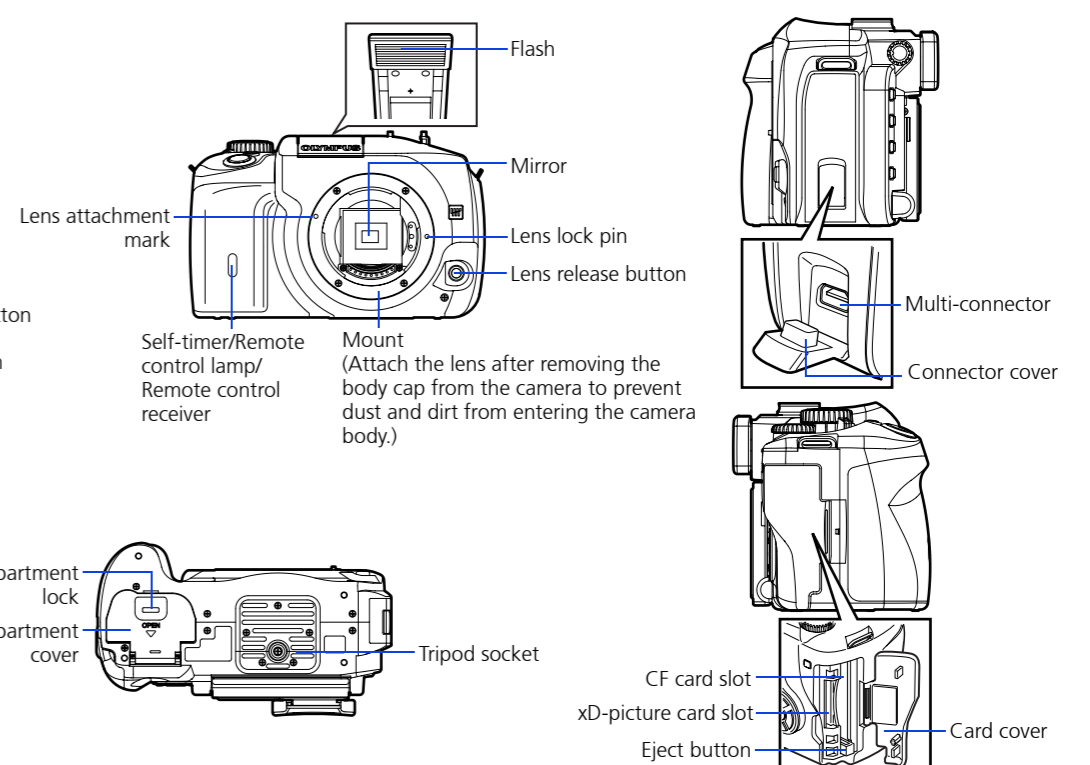
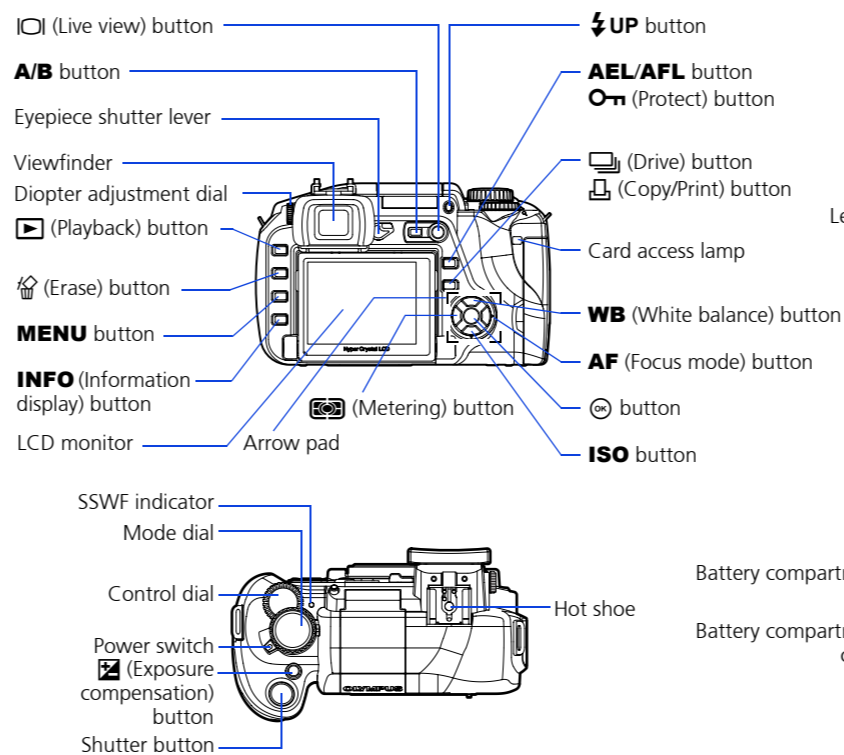
Quick Reference Guide

E-330

INDEX

1. Camera Diagram and Controls
2. How to use the mode dial
3. How to use the buttons and control dial
4. How to Use the Autofocus
5. Image Quality Modes
6. Flash Modes
7. Viewing Pictures on a TV
8. How to Erase All Pictures
9. E-mailing a Picture
10. Printing a Picture

1 CAMERA DIAGRAM AND CONTROLS



2 HOW TO USE THE MODE DIAL

Easy shooting modes

PORTRAIT

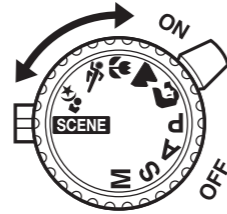
Suitable for shooting a portrait-style image of a person.

LANDSCAPE

Suitable for shooting landscapes and other outdoor scenes.

MACRO

Suitable for taking close-up pictures (macro shooting).



SPORT

Suitable for capturing fast-moving action without blurring.

NIGHT & PORTRAIT

Suitable for shooting both the main subject and background at night.

SCENE

20 different shooting modes are available to suit a wide range of shooting situations. When the mode dial is set to this mode, the shooting mode selection screen is displayed.

Advanced shooting modes

P Program shooting

Allows you to shoot using an aperture and shutter speed that the camera sets.

A Aperture priority shooting

Allows you to set the aperture manually. The camera sets the shutter speed automatically.

S Shutter priority shooting

Allows you to set the shutter speed manually. The camera sets the aperture automatically.

M Manual shooting

Allows you to set the aperture and shutter speed manually.

3 HOW TO USE THE BUTTONS AND CONTROL DIAL

This camera has a variety of functions to enable you to optimize settings for various shooting conditions. You can set the functions using the buttons and the control dial while viewing the monitor.

(Exposure compensation) button : Sets the exposure compensation value.

WB (White balance) button :

Selects the white balance appropriate to the light source from the following options: Auto, preset white balance settings, customized white balance settings or registered white balance.

(Live view) button :

Sets the Live view mode. The subject is displayed on the LCD monitor. The display for shooting information can be turned off by pressing the INFO button.

ISO button : Sets the ISO sensitivity.

(Metering) button : Selects the metering mode.

AF (Focus mode) button : Selects the focus mode.

(Drive) button : Sets Drive / Remote / Self-timer.

a. Press the button for the function you want to set (direct button). The direct menu is displayed.

b. Use the control dial to set.

Other buttons

(Erase) button : Erases unwanted images.

INFO (Information display) button :

Shooting : Displays shooting information on the control panel screen.

Playback : Displays shooting information or histogram of the recorded image. Each time this button is pressed, the information display is changed.

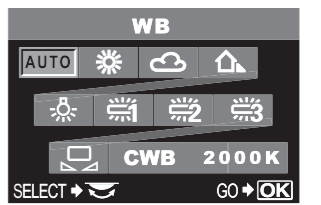
UP (Flash) button : Raises the flash.

AEL button : Locks the exposure.

(Playback) button : Plays back images on the monitor.

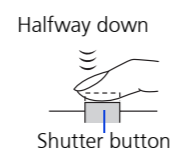
MENU button : Displays the menu.

(Protect) button : Protects images from being accidentally erased.

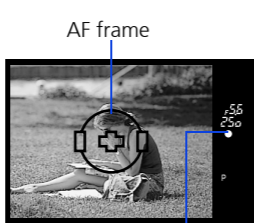


4 HOW TO USE THE AUTOFOCUS

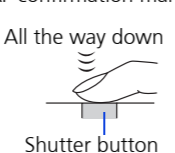
a. While positioning the AF frame over the subject, press and hold the shutter button halfway down.



b. The AF confirmation mark indicating that the focus and exposure are locked remains lit as long as the shutter button is kept depressed.



c. Press the shutter button completely to take the picture.



5 IMAGE QUALITY MODES

Your camera is equipped with multiple image quality modes, which determine the quality and image size of the pictures you take. Below is a general description of the commonly used modes. For a detailed description of all quality modes, refer to the Advanced Manual.

Application	Number of pixels	Quality (Compression)				
		Uncompressed 1/1	Low compression 1/2.7	High compression 1/4	High compression 1/8	High compression 1/12
Select for the print size	3136x2352 2560x1920 1600x1200 1280x960 1024x768	TIFF	SHQ		HQ	
For small-sized print and website	640x480	-		SQ		

Number of pixels increases ↑

Image becomes clearer ←

Control panel screen

You can set the image quality from the control panel screen displayed on the LCD monitor. Press the button and use the arrow pad to move the cursor to the image quality mode. Then turn the control dial to select the setting.

6 FLASH MODES

This camera features multiple flash modes. You can select the appropriate flash mode to suit the situation. You can set the flash mode from the control panel screen displayed on the LCD monitor. Press the button and use the arrow pad to move the cursor to [FLASH MODE]. Then turn the control dial to select the setting.

AUTO

- Auto-flash - The camera decides if the flash is needed.
- Red-eye reduction flash - Reduces the incidence of red-eye by emitting pre-flashes to shrink pupil size before taking the picture.

SLOW

- Slow synchronization + Red-eye reduction flash - This mode is for SLOW when you want to use slow synchronization, yet also reduce the red-eye phenomenon.

SLOW

- Slow synchronization (1st curtain) - The flash fires right after the shutter fully opens.

SLOW2

- Slow synchronization (2nd curtain) - 2nd curtain flash fires just before the shutter closes.

Fill-in

- Fill-in flash - The flash always fires. Suitable for taking subjects lit from behind by strong light.

Flash off

- Flash off - The flash is turned off. Suitable for when flash photography is not permitted. In this mode, the flash can be used as an AF illuminator when it is raised.

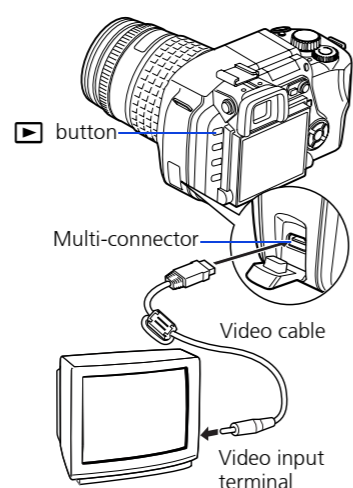
Manual flash : With [MANUAL FLASH] to set to [ON], you can set the amount of light (FULL, 1/4, 1/16, or 1/64) in the flash mode setting.

7 VIEWING PICTURES ON A TV

a. Turn the camera and TV off, and connect the video cable as illustrated.

b. Turn on the TV and set it to the video input mode. For details on switching to the video input mode, refer to the TV's instruction manual.

c. Turn the camera on and press the (playback) button.



Note: If the pictures are not displayed, consult your TV manual to set up the video source.

8 HOW TO ERASE ALL PICTURES

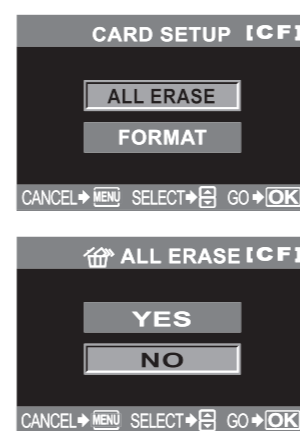
WARNING - PERFORMING THESE STEPS WILL DELETE ALL STORED PICTURES!

a. Press the MENU button. Use to select [M], then press button.

b. Use to select [CARD SETUP], then press button.

c. Use to select [ALL ERASE], then press the button.

d. Use to select [YES], then press the button.



9 E-MAILING A PICTURE

Using the OLYMPUS Master software (included), you can share your pictures with others by using the built-in e-mail feature.

After installing OLYMPUS Master, open the program and click "Browse Images". From the "Browse" window, select the picture(s) you want to send and click the "E-mail" tool button.

At this time, you can resize your pictures to make them more manageable for e-mail. This helps you stay within the e-mail capacity limitations set by your e-mail provider.

When finished, click the "Launch Mailer" button at the bottom of the window. Your default e-mail program will open, and the selected picture(s) will automatically be attached to a new message.

10 PRINTING A PICTURE

Using the OLYMPUS Master software (included), you can make prints of your pictures using your own photo printer.

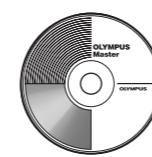
After installing OLYMPUS Master, open the program and click the "Print Images" icon on the main menu. You can create many different types of prints such as an index print, photos, albums, or calendars. Simply select the image(s) and add them to one of the many layouts within OLYMPUS Master. For detailed instructions, please refer to the "Help" menu in the software. You can also order prints online using the "Print Online" feature in OLYMPUS Master.

Alternatively, you can print your pictures by connecting your PictBridge* compatible camera directly to a PictBridge* compatible printer, such as the Olympus P-10 Digital Photo Printer. This permits fast, easy printing without using a computer.

*For detailed instructions on using PictBridge, please refer to your camera's Advanced Manual.

What you can do with OLYMPUS Master software

- The provided software CD includes OLYMPUS Master software for viewing and editing images. Once installed, you can take advantage of viewing and editing your images as shown below. For information on how to use OLYMPUS Master software, see Help after installation.



- Install OLYMPUS Master on your computer from the provided CD-ROM. OLYMPUS Master allows you to register as the camera's owner. Doing so will enable you to receive information on software or firmware upgrades from Olympus.

CONTACT INFORMATION

OLYMPUS IMAGING AMERICA INC.

Two Corporate Center Drive, P.O. Box 9058, Melville, NY 11747-9058

Technical Support (USA):

24/7 online automated help: <http://www.olympusamerica.com/E1>
Phone customer support: 1-800-260-1625 (toll free)

Our phone customer support is available from 8am - 10pm, (Monday to Friday) ET

E-mail: eslrpro@olympusamerica.com

Olympus software updates can be obtained at: <http://olympus.com/digital>

OLYMPUS®

Free Manuals Download Website

<http://myh66.com>

<http://usermanuals.us>

<http://www.somanuals.com>

<http://www.4manuals.cc>

<http://www.manual-lib.com>

<http://www.404manual.com>

<http://www.luxmanual.com>

<http://aubethermostatmanual.com>

Golf course search by state

<http://golfingnear.com>

Email search by domain

<http://emailbydomain.com>

Auto manuals search

<http://auto.somanuals.com>

TV manuals search

<http://tv.somanuals.com>