

CE

MADE
IN
USA



User's Guide



<http://www.omega.com>
e-mail: info@omega.com

DRX-ACC, DRX-ACV, DRX-FP, DRX-PR, DRX-RTD, DRX-ST, DRX-TC

Communication Manual for DRX Signal Conditioner Series

Download from [Www.Somanuals.com](http://www.Somanuals.com). All Manuals Search And Download.

omega.com[®]

ΩOMEGA™

OMEGAnet[®] On-Line Service
<http://www.omega.com>**Internet e-mail**
info@omega.com**Servicing North America:**

USA: <u>ISO 9001 Certified</u>	One Omega Drive, P.O. Box 4047 Stamford CT 06907-0047 TEL: (203) 359-1660 e-mail: info@omega.com	FAX: (203) 359-7700
Canada:	976 Bergar Laval (Quebec) H7L 5A1 TEL: (514) 856-6928 e-mail: info@omega.ca	FAX: (514) 856-6886

For immediate technical or application assistance:

USA and Canada:	Sales Service: 1-800-826-6342 / 1-800-TC-OMEGA [®] Customer Service: 1-800-622-2378 / 1-800-622-BEST [®] Engineering Service: 1-800-872-9436 / 1-800-USA-WHEN [®] TELEX: 996404 EASYLINK: 62968934 CABLE: OMEGA	
Mexico:	TEL: (001)800-TC-OMEGA [®] En Español: (001) 203-359-7803	FAX: (001) 203-359-7807 e-mail: info@omega.com.mx

Servicing Europe:

Benelux:	Postbus 8034, 1180 LA Amstelveen, The Netherlands TEL: +31 (0)20 3472121 Toll Free in Benelux: 0800 0993344 e-mail: nl@omega.com	FAX: +31 (0)20 6434643
Czech Republic:	Rudé armády 1868, 733 01 Karviná 8 TEL: +420 (0)69 6311899 e-mail: czech@omega.com	FAX: +420 (0)69 6311114
France:	9, rue Denis Papin, 78190 Trappes TEL: +33 (0)130 621 400 Toll Free in France: 0800406342 e-mail: france@omega.com	FAX: +33 (0)130 699 120
Germany/Austria:	Daimlerstrasse 26, D-75392 Deckenpfronn, Germany TEL: +49 (0)7056 9398-0 Toll Free in Germany: 0800 TC-OMEGA [®] e-mail: germany@omega.com	FAX: +49 (0)7056 9398-29
United Kingdom: <u>ISO 9002 Certified</u>	One Omega Drive River Bend Technology Centre Northbank, Irlam Manchester M44 5EX United Kingdom TEL: +44 (0) 161 777 6611 Toll Free in the UK: 0800 488 488 e-mail: sales@omega.co.uk	FAX: +44 (0) 161 777 6622

It is the policy of OMEGA to comply with all worldwide safety and EMC/EMI regulations that apply. OMEGA is constantly pursuing certification of its products to the European New Approach Directives. OMEGA will add the CE mark to every appropriate device upon certification.

The information contained in this document is believed to be correct but OMEGA Engineering, Inc. accepts no liability for any errors it contains, and reserves the right to alter specifications without notice.

WARNING: These products are not designed for use in, and should not be used for, patient connected applications.



This device is marked with the international hazard symbol. It is important to read the Setup Guide before installing or commissioning this device as it contains important information relating to safety and EMC.

TABLE OF CONTENTS

I.	<u>WHAT SIGNAL CONDITIONERS DO:</u>	1
II.	<u>MODEL OF UNIT :</u>	1
III.	<u>RS485 SERIAL COMMUNICATION SETUP:</u>	1
	<u>SAFETY CONSIDERATIONS:</u>	4
IV.	<u>COMMANDS FOR ACCESSING EEPROM:</u>	6
V.	<u>DESCRIPTION OF DATA :</u>	7
VI.	<u>COMMANDS FOR MEASUREMENT VALUES:</u>	16
VII.	<u>COMMANDS FOR READING MODEL/INPUT TYPE:</u>	16
VIII.	<u>RESET COMMANDS:</u>	17
IX.	<u>SAMPLE PROGRAM:</u>	17

SPECIFICATIONS

<u>DRX-ACC</u>	19
<u>DRX-ACV</u>	20
<u>DRX-FP</u>	21
<u>DRX-PR</u>	22
<u>DRX-RTD</u>	23
<u>DRX-ST</u>	24
<u>DRX-TC</u>	25

ILLUSTRATIONS:

<u>Dimensions</u>	26
<u>Typical Computer Setup</u>	26

I. WHAT SIGNAL CONDITIONERS DO:

The DRX Series Signal Conditioners are high performance devices used as a front end for PLC's and Data Acquisition systems to measure a variety of low level transducer signals with high precision and accuracy. The DRX Series Signal Conditioners interface directly to transducers and digitize the input signal. The measured signal is then transmitted to a PLC or a computer using the RS485 Serial Communication. **Up to 32 units may be connected to the same serial RS485 bus**, and each unit may be addressed to transmit the signal being measured under program control, executed on a PLC or a computer. The key features of the DRX Series Signal Conditioners are the ease of set-up and factory calibrated ranges. All range switching are done electronically by sending the appropriate command; therefore, there is no need to remove or open the units when signal input levels are changed. All set-up may be done by using the Set-up Software running on a computer or by user supplied programs.

II. MODEL OF UNIT :

There are 7 models available:

THERMOCOUPLE	(DRX-TC)
RTD	(DRX-RTD)
STRAIN	(DRX-ST)
PROCESS	(DRX-PR)
FREQUENCY/PULSE	(DRX-FP)
AC VOLT	(DRX-ACV)
AC CURRENT	(DRX-ACC)

III. RS485 SERIAL COMMUNICATION SETUP:

Communication with the UNIT will be performed via serial communication using RS485 standard (half duplex). To use the RS485 communication for the Signal Conditioners you'll need an available Communication port in your computer and have access to a generic communication software program (e.g.: Procomm¹, Windows² HyperTerminal³, etc, see details below for information). A RS485 signal conditioner communication software program is also available as an option to speed the set-up. A RS232 to RS485 converter box will also be required if your computer communications port is RS232.

¹ Procomm is a registered trademark of Datastorm Technologies, Inc.

² Windows is a registered trademark of Microsoft Corp.

³ HyperTerminal is a registered trademark of Microsoft Corp.

For Procomm:

Start the Procomm Program.

Press ALT + P (Select the appropriate communication parameters: Baud Rate, Parity, Data Bits, Stop Bits.) The default settings may require modifications.

- Factory Default communication settings are as follows:

Baud Rate = 9600

Parity = Odd

Data Bits = 7

Stop Bits = 1

Press ALT + S (To save current communication settings)

Press ALT + O (To go to chat mode)

If the communication port selected is available and the communication parameters of both the computer and the DRX are matched, then a serial link may be established. To check the communication any of the commands may be tried i.e. *01X01 would return the current measured signal value.

For Hyper Terminal (Windows 95):

Start the Hyper Terminal Program from programs/accessories.

Click on the Properties from the File menu.

Under the Phone Number Menu choose:

Connect using "Direct to COM1 or COM2" whichever that's available.

Click on Configure Button.

Choose: Baud rate, Data bits, Parity and Stop bits

According to DRX's settings.

Flow Control = None.

Click "OK" Button.

- Factory Default communication settings are as follows:

Baud Rate = 9600

Parity = Odd

Data Bits = 7

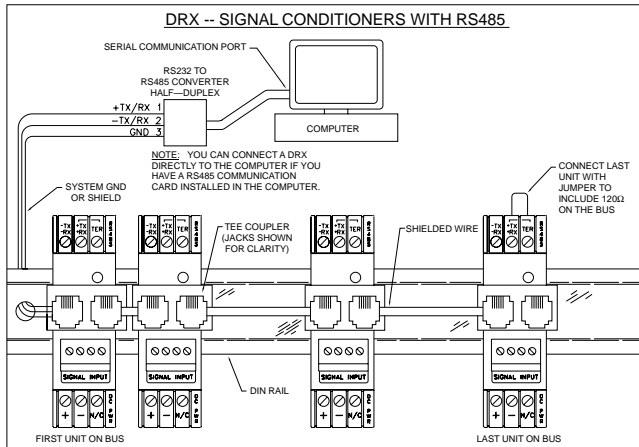
Stop Bits = 1

Under Settings Menu:

Click ASCII Setup Button.

Choose all options except "Force Incoming Data to 7 Bits ASCII".

Click "OK" Button.



Communication Parameter Settings:

Communication settings information are very critical during set-up, if any of the parameters are changed, it should be recorded on the label for future reference. If the communication parameters used by the computer does not match the communication parameter of the DRX, then the communication link may not be established. Hence it is important to record the communication parameter on the label if different from default.

Resetting Communication Parameters to Factory Defaults

To restore the communication parameters to the factory default settings, two test points must be shorted together. There are two ways of shorting these test points together, both are detailed below.

Version A-- Test point TP6 must be shorted, by a wire, to test point TP17.

or

Version B-- Newer units have a jumper position S1-A for connecting these two test points together.

Factory Default Settings for Communication:

Baud Rate = 9600

Data Bit = 7

Parity = Odd

Stop Bits = 1

Recognition Character = *

Address = 01

SAFETY CONSIDERATIONS



This device is marked with the international Caution symbol. It is important to read this manual before installing or commissioning this device as it contains important information relating to Safety and EMC (Electromagnetic Compatibility).

Unpacking & Inspection



Unpack the instrument and inspect for obvious shipping damage. Do not attempt to operate the unit if damage is found.



For instruments with AC Voltage and AC Current inputs, observe the input signal connections in the appropriate section of this manual. These instruments must only be installed by professional electricians.



- Do not exceed voltage rating on the label located on the instrument housing.
- Always disconnect power before changing signal and power connections.
- Do not use this instrument on a work bench without its case for safety reasons.
- Do not operate this instrument in flammable or explosive atmospheres.
- Do not expose this instrument to rain or moisture.
- Unit mounting should allow for adequate ventilation to ensure instrument does not exceed operating temperature rating.
- Use electrical wires with adequate size to handle mechanical strain and power requirements. Install without exposing bare wire outside the connector to minimize electrical shock hazards.

EMC Considerations

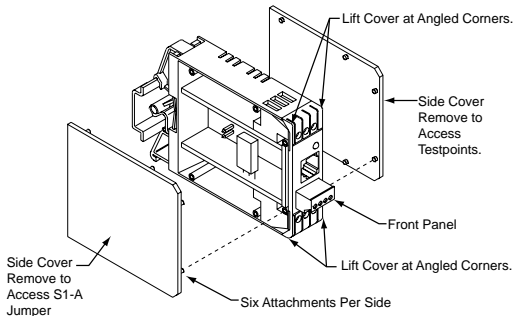
- Whenever EMC is an issue, always use shielded cables.
- Never run signal and power wires in the same conduit.
- Use signal wire connections with twisted-pair cables.
- Install Ferrite Bead(s) on signal wires close to the instrument if EMC problems persist.

Failure to follow all instructions and warnings may result in injury!

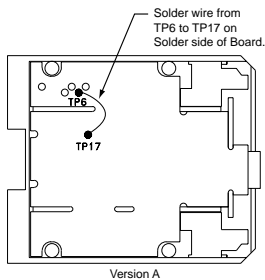
SAFETY NOTE: Disconnect all signal input and outputs before attempting this procedure.

Instructions

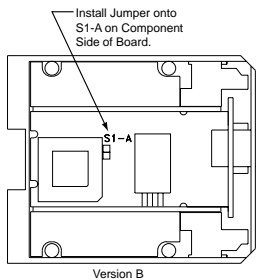
- 1) Open the Signal Conditioner Unit—Remove Side Covers from Unit by lifting at the “angled corners” first, using a flat-head screwdriver. Continue detaching remaining edges of the Cover.
- 2) Short TP6 & TP17 together, either by wire or, if available, jumper S1-A.
- 3) After shorting TP6 to TP17, apply power to the unit.
- 4) The Front Panel Power Indicator (LED) will **NOT** turn on.
- 5) After power has been applied to the unit for about 30 seconds, turn power off.
- 6) The communication parameters now have been restored to the default settings.
- 7) Use the DRX Set-up Program to establish communication with the meter.
- 8) This procedure will not affect calibration. It only resets the communication parameters.



Opening Unit



Version A



Version B

Testpoint/Jumper Locations

IV. COMMANDS FOR ACCESSING EEPROM:

NO.	command letter	index	meaning	# of bytes
1.	R,W	01	Input range or function	1
2.	R,W	02	Input/output Configuration	1
3.	R,W	03	Decimal point	1
4.	R,W	04	Filter time constant	1
5.	R,W	05	Reading scale	3
6.	R,W	06	Reading offset	3
7.	R,W	07	Communication parameters	1
8.	R,W	08	Communication bus format	1
9.	R,W	09	Communication Data format	1
10.	R,W	0A	Communication device address	1
11.	R,W	0B	Communication recog. char.	1
12.	R,W	0C	Unit of measure	3
13.	R,W	0D	Gate time	1
14.	R,W	0E	Debounce time	1
15.	R,W	0F	Transmit time	2

NOTE:

1. **Data** (Number of hex digits) = 2 * number of bytes
2. command letter meaning
R Read from EEPROM
W Write to EEPROM
3. "W" commands should be followed by "Z01" command for new values to take effect.

A. COMMAND FORMAT (TRANSMITTING):

*[nn]Cxx[data][hh]<cr>

Note: Data is required if Command Letter is "W"

B. RESPONSE FORMAT (RECEIVING):

A. Correct response :

1. If unit is in echo mode* (see "BUS FORMAT") :
[nn]Cxx[data][hh]<cr>

*echo mode = unit will send back the command.

2. If unit is **not in echo mode** :

- i. For the commands which require the data to be transmitted by the DRX Signal Conditioner, data is sent in the following formats:

data[hh]<cr>

- ii. For the commands which do not require the data:

NO RESPONSE

B. Error response:

1. If unit is **in echo mode**:

[nn]?ee<cr>

2. If unit is **not in echo mode**:

?ee<cr>

NOTE :

- [] : Means will be used wherever applicable.
- * : Is the security recognition character(default is “*”).
- nn** : Is the unit's address in hexadecimal(default is 01).
Address may be from 01 to FF.
- C** : Is the command letter (must be capital).
- W** : For writing to the EEPROM (requires **data**)
- R** : For reading from the EEPROM (doesn't require **data**)
- xx** : Command index is a hexadecimal number from 01 to FF.
- data** : Is one, two, or three bytes (2,4,6 characters respectively). It will be in hexadecimal format except when command "X" is executed in which case it is in decimal format.
- hh** : Is checksum characters
(Required if **Checksum option** is on. See “**BUS FORMAT**”).
The checksum is one byte (two characters) that is the simple hexadecimal addition of all the previous bytes, ignoring any overflow.

- ?ee : Special code indicating an error has occurred as:
- 743 : Command error
(occurs if command letters and indexes are invalid)
- 746 : Format error
(occurs if length of the data or number of characters is not correct)
- 748 : Checksum error
(occurs if checksum is not correct)
- 750 : Parity error
(occurs if parity is not correct)
- <cr> : Carriage return

Note: If Baud rate, Recognition character or address are not correct then the UNIT will not respond.

V. DESCRIPTION OF DATA :

For the following Bit Pattern. The LSB is always bit 0. Bit numbers are always counted from right to left, with the rightmost digit being bit 0, and the next to the left would be bit 1.

1. INPUT RANGE:

This is one byte data (2 characters). This byte will specify input range and other input configurations of each model. Bit pattern for different models :

a. INPUT RANGE	BYTE VALUE	TC	ACV	ACC
Bits:3210				
	0000	J	400 mV ac	10 mA
	0001	K	4 V ac	100 mA
	0010	T	40 V ac	1 A
	0011	E	400 V ac	5 A
	0100	N	----	----
	0101	DIN J	----	----
	0110	R	----	----
	0111	S	----	----
	1000	B	----	----
(1001-1111 not used)				

Bit 6-4: not used

Bit 7: 0 Line frequency = 60Hz
1 Line frequency = 50Hz

b. INPUT RANGE BIT NO. VALUE RTD

Bits:		
1-0	00	100 ohms
	01	500 ohms
	10	1000 ohms
	11	10 ohms COPPER
2	0	PLATINUM
	1	NICKEL
3	0	DIN STANDARD
	1	NIST FOR Pt (SAMA FOR Ni)
5-4	00	2 wire
	01	3 wire
	10	4 wire
	11	not used
6		not used
7	0	Line frequency = 60Hz
	1	Line frequency = 50Hz

c. INPUT RANGE BIT NO. VALUE PROCESS (PR) STRAIN (ST)

3-0	0000	0-20 mA	30 mV
	0001	400 mV	100 mV
	0010	1 V	---
	0011	2 V	---
	0100	5 V	---
	0101	10 V	---
	(0110 - 1111 not used)		
4	0	14V Excit.	Internal excit.
	1	10V Excit.	External excit.
5	0	Non-ratiometric (PR,ST)	
	1	Ratiometric (PR,ST)	
6	not used		
7	0	Line frequency = 60Hz(PR,ST)	
	1	Line frequency = 50Hz(PR,ST)	

d. INPUT RANGE BIT NO. VALUE		FREQUENCY/PULSE (FP)
0	0	----
	1	Low input level
1	0	----
	1	Debounce contact
2	0	----
	1	3K pull up to 5V
3	0	----
	1	1K pull down
5-4	00	12.5V excit.
	01	5V excit.
	10	8V excit.
	11	not used
7-6		not used

2. INPUT/OUTPUT CONFIGURATION:

This is one byte data (2 characters).

Bit pattern is:

BIT NO.	VALUE		MEANING		
	TC/RTD	ACV/ACC/ST	PR	FP	
1-0	00	Degree C	----	----	----
	01	Degree F	----	----	Freq. mode
	10	Degree K	----	Totalizer	----
	11	Degree K	----	Totalizer	Freq. mode
2	0	Temp. compensation	----	See Note 1	----
	1	No temp compensation	----	See Note 1	Quadrature
3	0	----	----	See Note 1	----
	1	----	----	See Note 1	A-B mode
4	0	----	----	----	----
	1	----	----	----	Totalize mode
5	0	----	----	----	----
	1	----	----	Square root	----
7-6	not used set to 0				

Note 1: Bit 2&3 set the speed of process totalize. The time it would take process totalize to reach the non-totalize reading is shown in the following table:

Bit 3	Bit 2	Time to reach regular reading
0	0	1 minute
0	1	1 hour
1	0	1 day
1	1	30 day

3. **DECIMAL POINT :**

This is one byte (2 characters) as:

value	meaning
1	XXXXXX.
2	XXXXX.X
3	XXXX.XX
4	XXX.XXX
5	XX.XXXX
6	X.XXXXX

Note 1: For TC and RTD models, value must be 1 to 3 only.

4. **FILTER TIME CONSTANT:**

This is one byte (2 characters) as:

value	meaning (per no. of readings)
0	No filtering
1	2
2	4
3	8
4	16
5	32
6	64
7	128

5. READING SCALE:

Multiplication factor applied to input to get a higher or lower reading.

This is 3 byte data (6 characters) as follows:

- Bits 0 to 18 (19 bits) are value of the scale from 0 to 500000
- Bit 19 is sign, 0 for positive and 1 for negative
- Bits 20 to 23 are for decimal point value = DP

It means as:

Actual decimal value = $10^{**} (1 - DP)$
where ** means "TO THE POWER OF"

example: if scale is -0.000345678. = - 345678 x $10^{**(-9)}$
value will be 345678 decimal = 5464E hex
bit 19 = 1 for negative
bits 20-23 = DP = 10 = A hex
then data will be AD464E hex

6. READING OFFSET:

Deviation applied to input to get a higher or lower reading.

This is 3 byte data (6 characters) as follows:

- Bits 0 to 19 are value from 0 to 1000000
- Bit 23 is sign, 0 for positive, 1 for negative
- Bits 20,21,22 are decimal point value = DP

It means as :

Actual decimal value = $10^{**} (2 - DP)$
where ** means "TO THE POWER OF"

example: offset value is 234.089
value of 234089 decimal = 39269 hex
decimal value = $10^{**(-3)}$ then DP=5
then 234.089 decimal = 539269 hex

7. COMMUNICATION PARAMETERS:

This is one byte data and specifies
BAUD, PARITY, DATA, and STOP bit.

BAUD = bits 2,1,0 are:

000-001	not used
010	for 1200
011	for 2400
100	for 4800
101	for 9600
110	for 19200
111	not used

PARITY = bits 4,3 and are:

00	for NO
01	for ODD
10	for EVEN
11	not used

DATA BIT = bit 5 and is:

0	for 7 data
1	for 8 data

STOP BIT = bit 6 and is:

0	for 1 stop
1	for 2 stop

Bit 7 : always 0

Note 1: Stop bit is always 1. Unless 7 data, no parity is selected then unit will use 2 stop bits.

Note 2: When 8 Data bit is selected, only NO PARITY is allowed.

8. **BUS FORMAT:**

This is one byte data as:

Bit 0 = 0/1	means checksum not included/included
Bit 1	not used
Bit 2 = 0/1	means no echo/echo
Bit 3 = 1	means 485 mode
Bit 4 = 0/1	means continuous/command mode
Bits 7-5	not used

For models (PR/ST/FP):

Bit 7 = 0/1 Enable/Disable peak and valley comparison

NOTE 1: ECHO mode means the unit will echo back the command letter and index.

NOTE 2: Do not use checksum option unless you have to use it.

9. DATA FORMAT:

This is one byte and specifies the data which will be transmitted against the "V01" command.

Bit pattern:

bit 0 = 0/1 Means do not include/include peak & valley status register.

bit 1 = 0/1 Means do not include/include reading.

For models(TC/RTD/ACV/ACC):

bit 2 = 0/1 Means do not include/include peak reading.

For models(PR/ST):

bit 2 = 0/1 Means do not include/include process totalize.

For models(TC/RTD/ACV/ACC):

bit 3 = 0/1 Means do not include/include valley reading.

For models(PR/ST/FP):

bit 3 = 0/1 Means do not include/include peak reading.

For models(TC/RTD/ACV/ACC):

bits 4 Not used. Set to 0.

For models(PR/ST/FP):

bits 4 = 0/1 Means do not include/include valley reading.

bit 5 Not used. Set to 0.

bit 6 = 0/1 Means do not include/include unit of measure.

bit 7 = 0/1 Means space/carriage return between values.

10. DEVICE ADDRESS :

This is one byte data and specifies the address of the unit when in RS485 multipoint mode. Addresses are in hexadecimal from 01 to FF.

NOTE: Address 00 is for broadcasting. All units on the same BUS will perform any command with this address but will not respond.

11. RECOGNITION CHARACTER:

This is one byte security character.
(Default is *)

12. UNIT OF MEASURE:

This is 3 bytes. It is ASCII value of unit of measure.

13. GATE TIME(For FP model only):

This is 1 byte from 00 to FF.

For value = 00 to FA:

Each count equals 10ms. If 0 then gate time = 3ms.

Example : 1 second gate time = 64 hex.

For value = FB to FF:

<u>Value</u>	<u>Gate time</u>
FB	5 seconds
FC	10 seconds
FD	20 seconds
FE	40 seconds
FF	80 seconds

14. DEBOUNCE TIME(For FP model only):

This is 1 byte from 01 to FF.

Each count equals 5ms. If 0 then error.

15. TRANSMIT TIME:

This is 2 bytes data in second and specifies the time of the transmission by the meter.

VI. COMMANDS FOR MEASUREMENT VALUES:

Command Receiving value

*01X01 **(For all models):** Reading value. After reading scale and offset.

Note: In order to have continuous update on reading. Customer should send X01 command every time reading is requested.

Models(TC/RTD/ACV/ACC):

*01X02 Peak reading value.

*01X03 Valley reading.

Models(PR/ST/FP):

*01X03 Peak reading value.

*01X04 Valley reading.

*01V01 **(For all models):** String of values.

Received values are in decimal with decimal point and no sign for positive and minus sign for negative.

Example : 00345.6 or -00345.6

If value is overflowed a “?” will be transmitted along with value (?-99999. or ?999999).

VII. COMMANDS FOR READING MODEL/INPUT TYPE:

Command Receiving value

*01U01 One byte for model number

VALUE MODEL

00	FP
01	PR
02	ST
03	TC
04	RTD
05	ACV
06	ACC

VIII. RESET COMMANDS :

*01Z01 (For all models): Hard reset (reading data from EEPROM).

*01Z02 (For all models): Soft reset (Initialize reading).

*01Z03 (For models: TC/RTD/ACV/ACC): Reset peak and valley.
(For models: PR/ST): Reset process totalize value.

*01Z04 (For models: (PR/ST/FP): Reset peak value.

*01Z05 (For models: PR/ST/FP): Reset valley value.

*01Z07 (For models: TC/RTD/ACV/ACC): Reset peak only.

*01Z08 (For models: TC/RTD/ACV/ACC): Reset valley only.

NOTE:

* : Recognition character
01(Follow "**") : Address

IX. SAMPLE PROGRAM:

```
' ASSUMING :  
' BAUD RATE = 9600  
' PARITY = ODD  
' DATA BIT = 7  
' STOP BIT = 1  
' COMM PORT = 1  
' ADDRESS = 01  
' RECOG. CHAR = *  
' SERIAL PORT = COM1  
' FOR COMM PORT = 2 -> CHANGE "COM1:" TO "COM2:"  
' THIS PROGRAM WILL GET READING AND DISPLAY IT EVERY 1 SECOND  
ON ERROR GOTO ER  
ON TIMER(1) GOSUB RDG  
CLS  
CLOSE #1  
COLOR 1, 7  
LOCATE 22, 30  
PRINT "PRESS <ESC> TO END"  
OPEN "COM1:" + "9600,0,7,1,CS,DS" FOR RANDOM AS #1  
LOCATE 10, 30  
PRINT "READING = "  
TIMER ON  
DO: LOOP UNTIL INKEY$ = CHR$(27)
```

```

COLOR 7, 0
CLS
END
RDG:
  PRINT #1, "*01X01"
  DAT1$ = ""
  DAT$ = ""
  T$ = TIME$
  T1$ = MID$(T$, LEN(T$) - 1, 2)
  T1 = VAL(T1$)
  DO
    IF LOC(1) > 0 THEN
      CNT = 0
      DAT1$ = INPUT$(LOC(1), #1)
      DAT$ = DAT$ + DAT1$
    ELSE
      T$ = TIME$
      T2$ = MID$(T$, LEN(T$) - 1, 2)
      T2 = VAL(T2$)
      IF T2 < T1 THEN T2 = T2 + 60
      IF T2 - T1 >= 2 THEN CNT = 1
    END IF
  LOOP UNTIL CNT = 1 OR INSTR(1, DAT$, CHR$(13)) > 0
  IF DAT$ = "" THEN
    LOCATE 5, 30
    COLOR 28
    PRINT "COMMUNICATION ERROR!"
    P = 1
  ELSE
    IF P = 1 THEN
      LOCATE 15, 30
      COLOR 7, 0
      PRINT " " " " ' (24 SPACES)
      P = 0
    END IF
    LOCATE 10, 40
    D$ = MID$(DAT$, 6)
    DAT$ = LEFT$(D$, LEN(D$) - 1)
    COLOR 1, 7
    PRINT DAT$; " " " " ' (2 SPACES)
  END IF
RETURN
ER:
RESUME NEXT

```

DRX-ACC SPECIFICATIONS

INPUT RANGES:

10 mA, 100 mA, 1 Amp, 5 Amp AC current
Dedicated input terminals for (10, 100 mA same input), 1 Amp and 5 Amp. Return terminal common to all ranges.

FREQUENCY RANGE:

30 Hz to 1KHz

INPUT IMPEDANCE:

3.3 Ohms for 10, 100 mA input
0.2 Ohms for 1 Amp input
0.04 Ohms for 5 Amp input

ISOLATION:

Dielectric strength to 1000 Vrms transient per 1 minute test based on EN 61010 for 50 Vdc or Vrms working voltage.

Three way Isolation:

- Power to input
- Power to analog output/communication
- Input to analog output/communication

INPUT OVER-CURRENT PROTECTION:

10% Above full scale continuously
100% Above full scale for 10 seconds

ANALOG TO DIGITAL TECHNIQUE:

Dual slope

READ RATE:

3 readings/second

ACCURACY AT 25 °C:

± 0.2% of FS from 30 Hz to 1 KHz

TEMPERATURE STABILITY:

10, 100 mA Range 100 ppm/°C typical
1 Amp Range 150 ppm/°C typical
5 Amp Range 200 ppm/°C typical

STEP RESPONSE FOR RS485 OUTPUT:

2 seconds to 99% of the final value
(Filter time constant = 64)

RESPONSE TIME:

To verify the response time, check the carriage return <CR>, it will be sent at the end of the response. You can send another command after you receive the <CR>.

i.e. send: *01X01
response: 01X01<DATA><CR>

Note: 01 is address.

WARM UP TO RATED ACCURACY:

30 minutes

INPUT POWER:

10 to 32 Volt DC

POWER CONSUMPTION:

2.4 Watts (100 mA at 24 V DC)

OPERATING AMBIENT:

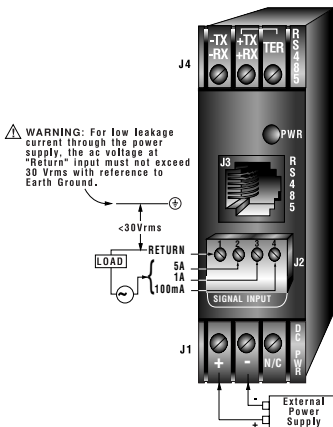
-5 to +55 °C

STORAGE TEMPERATURE:

-40 to +85 °C

RELATIVE HUMIDITY:

90% at 40 °C non-condensing



DRX-ACV SPECIFICATIONS

INPUT RANGES:

400 mV, 4V, 40 Volt, 400 Volt

FREQUENCY RANGE:

30 Hz to 1 KHz

INPUT IMPEDANCE:

2.1 Meg for all ranges.

ISOLATION:

Dielectric strength to 1000 Vrms transient per 1 minute test based on EN 61010 for 50 Vdc or Vrms working voltage.

Three way Isolation:

- Power to input
- Power to analog output/communication
- Input to analog output/communication

INPUT OVER-VOLTAGE PROTECTION:

10% Above full scale continuously.

100% Above full scale for 10 seconds.

ANALOG TO DIGITAL TECHNIQUE:

Dual slope

READ RATE:

3 readings/second

ACCURACY AT 25 °C:

400 mV, 4V, 40V and 400V ranges

49 Hz to 500 Hz $\pm 0.2\%$ of FS

30 Hz to 1KHz $\pm 0.2\%$ of FS ± 10 counts

TEMPERATURE STABILITY:

400 mV and 40 Volt range 150 ppm/°C typical

4V and 400 Volt range 100 ppm/°C typical

STEP RESPONSE FOR RS485 OUTPUT:

2 seconds to 99% of the final value

(Filter time constant = 64)

RESPONSE TIME:

To verify the response time, check the carriage return <CR>, it will be sent at the end of the response. You can send another command after you receive the <CR>.

i.e. send: *01X01

response: 01X01<DATA><CR>

Note: 01 is address.

WARM UP TO RATED ACCURACY:

30 minutes

INPUT POWER:

10 to 32 Volt DC

POWER CONSUMPTION:

2.4 watts (100 mA at 24 Vdc)

OPERATING AMBIENT:

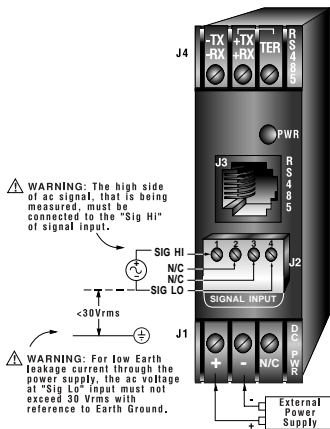
-5 to +55 °C

STORAGE TEMPERATURE:

-40 to +85 °C

RELATIVE HUMIDITY:

90% at 40 °C non-condensing



DRX-FP SPECIFICATIONS

INPUT TYPE:

Min. Low level signal input (magnetic

pickups): From 0 mV to 120 mV

Open Collector NPN (Use software to set:

3 K Ω pull up to 5V): Max. current source = 1.66 mA

Open Collector PNP (Use software to set: 1K Ω pull down to RTN):

Max. current sink = 12.5 mA

TTL/CMOS Input: (Use software to set: no pull up/down).

Low <= 0.8 V, High >= 3.5 V (For Input: 0.2 Hz to 16 KHz)

Low <= 0.8 V, High >= 12 V (For Input: 0.2 Hz to 50 KHz)

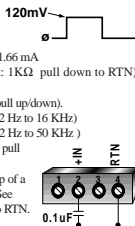
NAMUR Sensors (Use software to set: 1K Ω pull

down to RTN and 8.2V Excitation.)

For measuring a low level signal riding on top of a

large DC signal, connect a 0.1 μ F capacitor. See

Detail. Use software to set 1K Ω pull down to RTN.



OPERATING MODES:

Frequency: Range = 0.2 Hz to 50 KHz

Max. Input Frequency: 30 KHz. for Input Level: 0-5 V

Max. Input Frequency: 50 KHz. for Input Level: 0-12 V

FREQUENCY	RESOLUTION
0 to 9.99999 Hz	0.00001 Hz
10 to 99.9999 Hz	0.0001 Hz
100 to 999.999 Hz	0.001 Hz
1000 to 9999.99 Hz	0.01 Hz
10000 to 50000.0 Hz	0.1 Hz
0 to 50000 Hz	1 Hz

Totalize with Reset: Range = 0 to 999999*, if reading is larger than 999999, then reading is converted to floating point number, i.e. 9.99E9 (maximum).

Max. Input Frequency: 30 KHz. for Input Level: 0-5 V

Max. Input Frequency: 50 KHz. for Input Level: 0-12 V

A-B Totalize (Reset input used as +A input): Range = -999999

to 999999*, if reading is larger than 999999, then reading is

converted to floating point number, i.e. -9.99E9 (minimum),

9.99E9 (maximum).

Max. Input Frequency: 30 KHz. for Input Level: 0-5 V

Max. Input Frequency: 25 KHz. for Input Level: 0-12 V

Quadrature (Reset input used as second input): Range =

-999999 to 999999*, if reading is larger than 999999, then reading is

converted to floating point number, i.e. -9.99E9 (minimum),

9.99E9 (maximum).

Max. Input Frequency: 30 KHz. for Input Level: 0-5 V

Max. Input Frequency: 25 KHz. for Input Level: 0-12 V

* Resolution is 1 count.

ISOLATION:

Dielectric strength to 1000 Vrms transient per 1 minute test based on EN 61010 for 50 Vdc or Vrms working voltage.

Three way isolation:

- Power to input
- Power to analog output/communication
- Input to analog output/communication

INPUT IMPEDANCE:

Input: 1M Ω to +EXC

Reset: 100K to +5V

INPUT OVER-VOLTAGE PROTECTION:

With 1K pull down: 14V

With 3K pull up: 20V

Without pull up/down: 60V

EXCITATION:

5, 8.2 or 12.5V at 25mA, programmable

ACCURACY AT 25 °C:

\pm 0.1% of FS Crystal time base accuracy: \pm 50 ppm

TEMPERATURE STABILITY:

\pm 50 ppm/ $^{\circ}$ C typical

Time base stability: \pm 1ppm/ $^{\circ}$ C

STEP RESPONSE FOR RS485 OUTPUT:

0.1 second to 99% of the final value

(Filter time constant = 0, Gate time = 0.05 Sec)

RESPONSE TIME:

To verify the response time, check the carriage return <CR>, it will be sent at the end of the response. You can send another command after you receive the <CR>.

i.e. send: *01X01

response: 01X01<DATA><CR>

Note: Only for reading (X01 command).

01 is address.

Frequency mode: response time is controlled by the gate time. If

gate time is increased then response time is longer. Other modes:

response time is not controlled by the gate time.

WARM UP TO RATED ACCURACY:

30 minutes

INPUT POWER:

10 to 32 Volt DC

POWER CONSUMPTION:

30 Watts (125mA at 24V DC)

OPERATING AMBIENT:

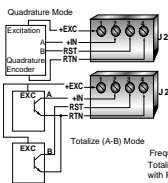
-5 to +55 $^{\circ}$ C

STORAGE TEMPERATURE:

-40 to +85 $^{\circ}$ C

RELATIVE HUMIDITY:

90% at 40 $^{\circ}$ C non-condensing



Totalize (A-B) Mode

Frequency Mode/
Totalize Mode
with Reset (example)

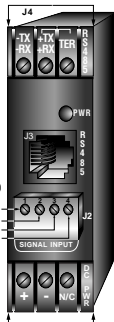
Excitation +EXC

+IN

RST

RTN

NPN open
Collector



DRX-PR SPECIFICATIONS

INPUT RANGES:

$\pm 20\text{mA}$; $\pm 400\text{mV}$, $\pm 1\text{V}$, $\pm 2\text{V}$, $\pm 5\text{V}$, and $\pm 10\text{V}$
Ratiometric or nonratiometric

EXCITATION:

14V or 10V @ 25mA

INPUT IMPEDANCE:

Voltage Range: $1\text{M}\Omega$
Current Range: $10\text{K}\Omega$

ISOLATION:

Dielectric strength to 1000 Vrms transient per
1 minute test based on EN 61010 for 50 Vdc or Vrms
working voltage.

Three way Isolation:

- Power to input
- Power to analog output/communication
- Input to analog output/communication

INPUT OVER-RANGE PROTECTION:

Voltage input: 50V
Current input: 50mA

MODE:

Linear, Square root, Linear totalize,
Square root totalize

ANALOG TO DIGITAL TECHNIQUE:

Multiple slopes

READ RATE:

8 readings/second, automatic polarity

ACCURACY AT 25 °C:

$\pm 0.1\%$ of FS ± 2 counts

TEMPERATURE STABILITY:

100 ppm/°C typical

STEP RESPONSE FOR RS485 OUTPUT:

2 seconds to 99% of the final value
(Filter time constant = 64)

RESPONSE TIME:

To verify the response time, check the carriage return
<CR>, it will be sent at the end of the response. You
can send another command after you receive the
<CR>.

i.e. send: *01X01
response: 01X01<DATA><CR>

Note: 01 is address.

WARM UP TO RATED ACCURACY:

30 minutes

INPUT POWER:

10 to 32 Volt DC

POWER CONSUMPTION:

3 watts (125 mA at 24Vdc)

OPERATING AMBIENT:

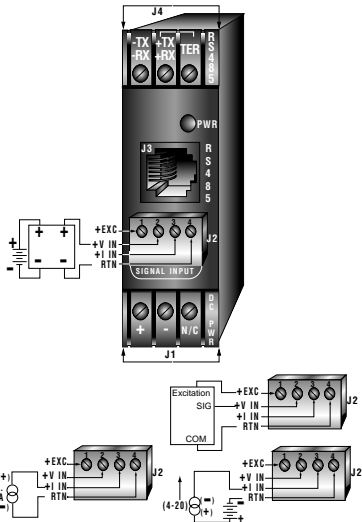
-5 to +55 °C

STORAGE TEMPERATURE:

-40 to +85 °C

RELATIVE HUMIDITY:

90% at 40 °C non-condensing



DRX-RTD SPECIFICATIONS

SPECIFICATIONS:

100, 500, 1000 Ohm platinum RTD with both European ($\alpha=0.00385$) and American ($\alpha=0.00392$) curves.

Input Type:

100 Ohm	-328 to 1562 °F	-200 to 850 °C
500 Ohm	-328 to 1562 °F	-200 to 850 °C
1000 Ohm	-328 to 1562 °F	-200 to 850 °C

ISOLATION:

Dielectric strength to 1000 Vrms transient per 1 minute test based on EN 61010 for 50 Vdc or Vrms working voltage.

Three way Isolation:

- Power to input
- Power to analog output/communication
- Input to analog output/communication

INPUT OVER-VOLTAGE PROTECTION:

250 V AC for 1 Minute

ANALOG TO DIGITAL TECHNIQUE:

Dual slope

READ RATE:

3 readings/second, automatic polarity

ACCURACY AT 25 °C:

± 0.5 °C for platinum RTD's

TEMPERATURE STABILITY:

0.05 °C/°C

STEP RESPONSE FOR RS485 OUTPUT:

2 seconds to 99% of the final value
(Filter time constant = 64)

RESPONSE TIME:

To verify the response time, check the carriage return <CR>, it will be sent at the end of the response. You can send another command after you receive the <CR>.

i.e. send: *01X01

response: 01X01<DATA><CR>

Note: 01 is address.

WARM UP TO RATED ACCURACY:

30 minutes

INPUT POWER:

10 to 32 Volt DC

POWER CONSUMPTION:

2.4 Watts (100 mA at 24 V DC)

OPERATING AMBIENT:

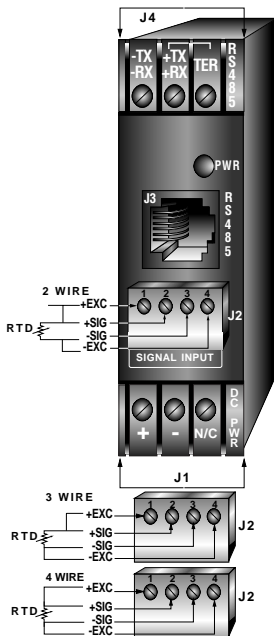
-5 to +55 °C

STORAGE TEMPERATURE:

-40 to +85 °C

RELATIVE HUMIDITY:

90% at 40 °C non-condensing



DRX-ST SPECIFICATIONS

INPUT RANGE:

$\pm 30\text{mV} / \pm 100\text{mV}$
Ratiometric or nonratiometric

EXCITATION:

10V @ 30mA or external

INPUT IMPEDANCE:

More than $1\text{M}\Omega$

ISOLATION:

Dielectric strength to 1000 Vrms transient per 1 minute test based on EN 61010 for 50 Vdc or Vrms working voltage.

Three way Isolation:

- Power to input
- Power to analog output/communication
- Input to analog output/communication

INPUT OVER-RANGE PROTECTION:

Voltage input: From -10 to +20V

ANALOG TO DIGITAL TECHNIQUE:

Multiple slopes

READ RATE:

8 readings/second, automatic polarity

ACCURACY AT 25 °C:

$\pm 0.2\%$ of FS ± 2 counts

TEMPERATURE STABILITY:

75 ppm/°C typical

STEP RESPONSE FOR RS485 OUTPUT:

2 seconds to 99% of the final value
(Filter time constant = 64)

RESPONSE TIME:

To verify the response time, check the carriage return <CR>, it will be sent at the end of the response. You can send another command after you receive the <CR>.

i.e. send: *01X01
response: 01X01<DATA><CR>

Note: 01 is address.

WARM UP TO RATED ACCURACY:

30 minutes

INPUT POWER:

10 to 32 Volt DC

POWER CONSUMPTION:

3 watts (125 mA at 24Vdc)

OPERATING AMBIENT:

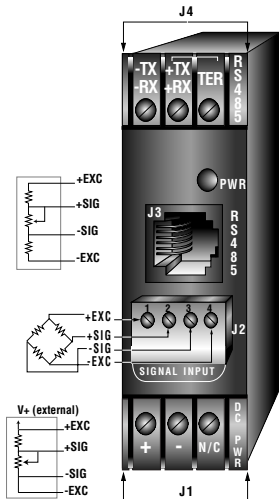
-5 to +55 °C

STORAGE TEMPERATURE:

-40 to +85 °C

RELATIVE HUMIDITY:

90% at 40 °C non-condensing



DRX-TC SPECIFICATIONS

INPUT TYPE:

Type J,K,T,E,R,S,B,N, J DIN

Input Type	Range °F	Range °C
J	-346 to 1400°F	-210 to 760 °C
K	-454 to 2500°F	-270 to 1372 °C
T	-454 to 752 °F	-270 to 400 °C
E	-454 to 1832 °F	-270 to 1000 °C
R S	-58 to 3214 °F	-50 to 1768 °C
B	+212 to 3300 °F	+100 to 1820 °C
N	-454 to 2372°F	-270 to 1300 °C
J DIN	-328 to 1652 °F	-200 to 900 °C

ISOLATION:

Dielectric strength to 1000 Vrms transient per 1 minute test based on EN 61010 for 50 Vdc or Vrms working voltage.

Three way Isolation:

- Power to input
- Power to analog output/communication
- Input to analog output/communication

INPUT OVER-VOLTAGE PROTECTION:

250 V AC for 1 minute

ANALOG TO DIGITAL TECHNIQUE:

Dual slope

READ RATE:

3 readings/second, automatic polarity

ACCURACY AT 25 °C:

±1°C for temperature above -150 °C
±2°C for temperature below -150 °C

TEMPERATURE STABILITY:

0.05 °C/°C

STEP RESPONSE FOR RS485 OUTPUT:

2 seconds to 99% of the final value
(Filter time constant = 64)

RESPONSE TIME:

To verify the response time, check the carriage return <CR>, it will be sent at the end of the response. You can send another command after you receive the <CR>.

i.e. send: *01X01
response: 01X01<DATA><CR>

Note: 01 is address.

WARM UP TO RATED ACCURACY:

30 minutes

INPUT POWER:

10 to 32 Volt DC

POWER CONSUMPTION:

2.4 Watts (100 mA at 24 V DC)

OPERATING AMBIENT:

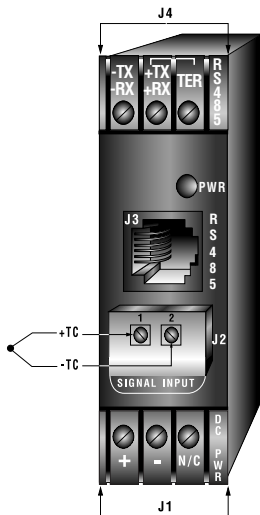
-5 to +55 °C

STORAGE TEMPERATURE:

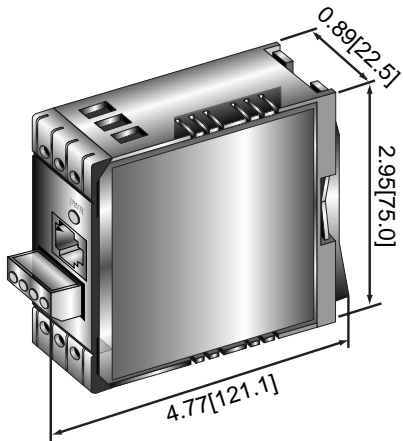
-40 to +85 °C

RELATIVE HUMIDITY:

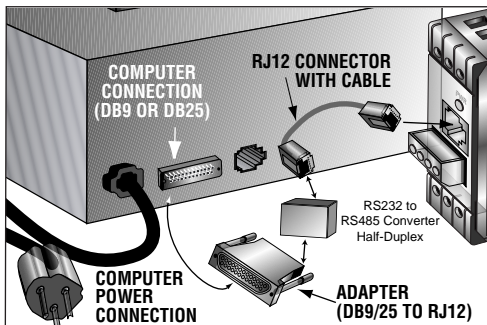
90% at 40 °C non-condensing



DIMENSIONS:



TYPICAL COMPUTER SETUP:



Where Do I Find Everything I Need for Process Measurement and Control? OMEGA...Of Course!

TEMPERATURE

- ☑ Thermocouple, RTD & Thermistor Probes, Connectors, Panels & Assemblies
- ☑ Wire: Thermocouple, RTD & Thermistor
- ☑ Calibrators & Ice Point References
- ☑ Recorders, Controllers & Process Monitors
- ☑ Infrared Pyrometers

PRESSURE, STRAIN AND FORCE

- ☑ Transducers & Strain Gauges
- ☑ Load Cells & Pressure Gauges
- ☑ Displacement Transducers
- ☑ Instrumentation & Accessories

FLOW/LEVEL

- ☑ Rotameters, Gas Mass Flowmeters & Flow Computers
- ☑ Air Velocity Indicators
- ☑ Turbine/Paddlewheel Systems
- ☑ Totalizers & Batch Controllers

pH/CONDUCTIVITY

- ☑ pH Electrodes, Testers & Accessories
- ☑ Benchtop/Laboratory Meters
- ☑ Controllers, Calibrators, Simulators & Pumps
- ☑ Industrial pH & Conductivity Equipment

DATA ACQUISITION

- ☑ Data Acquisition & Engineering Software
- ☑ Communications-Based Acquisition Systems
- ☑ Plug-in Cards for Apple, IBM & Compatibles
- ☑ Datalogging Systems
- ☑ Recorders, Printers & Plotters

HEATERS

- ☑ Heating Cable
- ☑ Cartridge & Strip Heaters
- ☑ Immersion & Band Heaters
- ☑ Flexible Heaters
- ☑ Laboratory Heaters

ENVIRONMENTAL MONITORING AND CONTROL

- ☑ Metering & Control Instrumentation
- ☑ Refractometers
- ☑ Pumps & Tubing
- ☑ Air, Soil & Water Monitors
- ☑ Industrial Water & Wastewater Treatment
- ☑ pH, Conductivity & Dissolved Oxygen Instruments

Free Manuals Download Website

<http://myh66.com>

<http://usermanuals.us>

<http://www.somanuals.com>

<http://www.4manuals.cc>

<http://www.manual-lib.com>

<http://www.404manual.com>

<http://www.luxmanual.com>

<http://aubethermostatmanual.com>

Golf course search by state

<http://golfingnear.com>

Email search by domain

<http://emailbydomain.com>

Auto manuals search

<http://auto.somanuals.com>

TV manuals search

<http://tv.somanuals.com>