



# Operating Instructions & Parts Manual

## Hydraulic Transmission Jacks

### Model Number

41100

42000

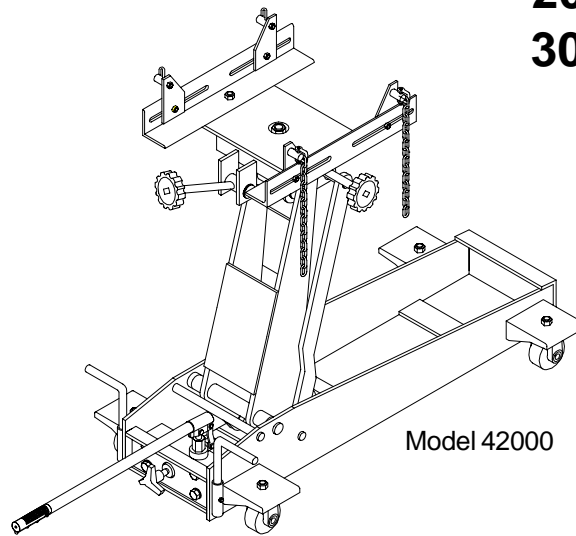
43000

### Capacity

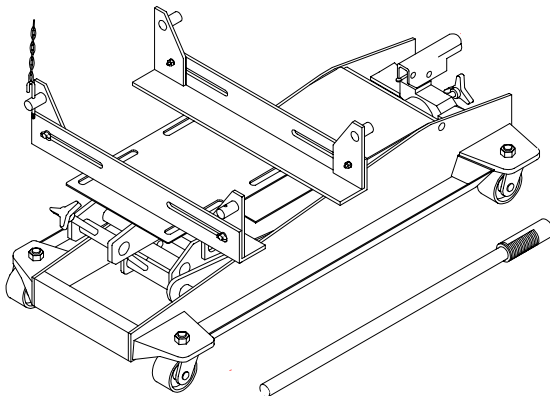
1100 Lbs

2000 Lbs

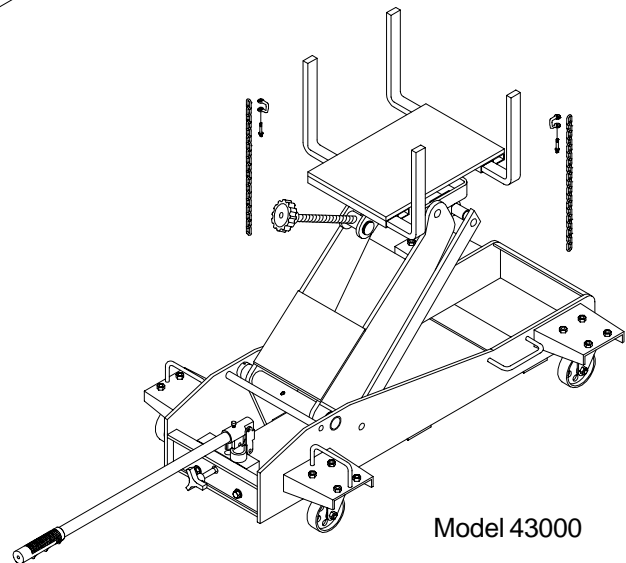
3000 Lbs



Model 42000



Model 41100



Model 43000

Shinn Fu Co. of America, Inc. ©2002  
10939 N. Pomona Avenue  
Kansas City, MO 64153

OIPM#41100-TJ2  
Printed in Taiwan

**Save these instructions.** For your safety, read, understand, and follow the information provided with and on this jack. The owner and operator of this equipment shall have an understanding of this jack and safe operating procedures before attempting to use. The owner and operator shall be aware that use and repair of this product may require special skills and knowledge. Instructions and safety information shall be conveyed in the operator's native language before use of this jack is authorized. If any doubt exists as to the safe and proper use of this jack, remove from service immediately. **Inspect before each use.** Do not use if broken, bent, cracked or damaged parts are noted. Any jack that appears damaged in any way, or operates abnormally shall be removed from service immediately. If the jack has been or suspected to have been subjected to a shock load (a load dropped suddenly, unexpectedly upon it), immediately discontinue use until jack has been checked by an Omega authorized service center. It is recommended that an annual inspection be done by qualified personnel. Labels and Operator's Manuals are available from manufacturer (see Replacement Parts, pages 5 thru 8).

**PRODUCT DESCRIPTION**

Omega Hydraulic Transmission Jacks are designed to be used as an aid in the removal and installation of automotive and light truck transmissions, transfer cases and transaxles. Model Nos. 41100, 42000 and 43000 are for use under portable lift equipment, where vehicle must be supported by appropriately rated jack stands.

**SPECIFICATIONS**

Model	Capacity	Base Size ( L x W )	Min. Height	Max. Height
41100	1100 Lbs	31 1/8" x 15"	8 1/2"	24 3/4"
42000	2000 Lbs	39 3/8" x 19 1/8"	7 7/8"	33 1/2"
43000	3000 Lbs	46 3/4" x 25 5/8"	7 7/8"	37 1/4"

**CAUTION: READ CAREFULLY BEFORE UNPACKING PRODUCT.**

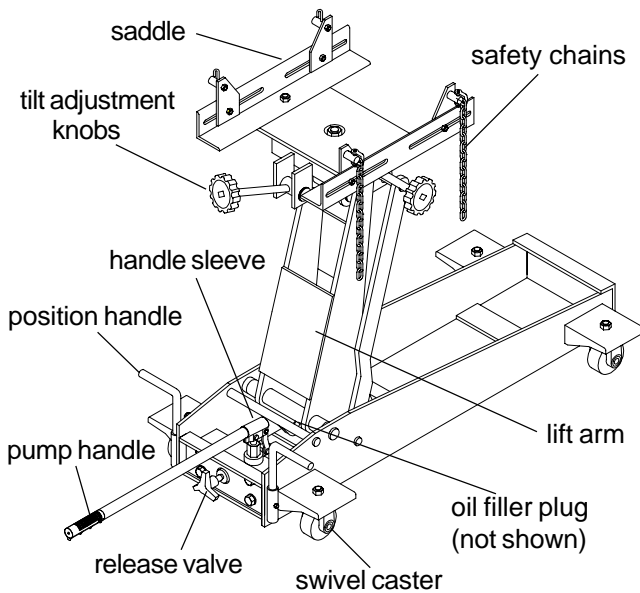


Figure 1 - Model No. 42000 (41100, 43000 similar)

**Note:** Oil Filler Plug is rubber and located centrally on the upper portion of the reservoir. See exploded drawing on pages 8, 9.

**BEFORE USE**

1. Inspect jack before each use. Do not use if bent, broken or cracked components are noted. Ensure that casters move freely. Check for and tighten any loose assemblies.
2. Verify that the product and the application are compatible, if in doubt call Omega Technical Service (888)332-6419.

**ASSEMBLY (41100, 42000, 43000)**

Refer to figure 1:  
 Little or no assembly is required. Refer to the above Figure 1 and the exploded view on page 6 thru 8 for details in understanding the assembly and the nomenclature of your product. Remove oil filler plug prior to initial use to confirm oil level is at or just above the inner cylinder as seen from the reservoir, fill as needed and reinstall oil filler plug.

## **WARNING**

Study, understand, and follow all printed materials provided with/on this device before use. Do not exceed rated capacity. Use only on hard, level, seamless surface. Use of this jack is limited to the removal, installation and transportation of transmissions, transfer cases and transaxles. Adequately support the vehicle before starting repairs. Failure to heed these markings may result in personal injury and/or property damage.

### **! Safety Messages !**

Ensure the center of gravity is centered on the saddle. Use only chains and slings provided. If loaded jack must be moved, make certain that load is secured by appropriate means, is stable, is in lowest possible position. This is a lifting and lowering device only. Transfer load immediately to appropriate support device for service or repair. No alterations shall be made to this product.

### **OPERATION**

#### **Raise saddle:**

1. Locate and close release valve by turning knob clockwise firmly, then pump the pump handle until the load is contacted.
2. Follow vehicle manufacturers recommended procedures for removing the load as outlined in vehicle service manual or repair guide.
3. Secure load with provided restraints. Ensure load's center of gravity is centered on the saddle and load is stable before moving jack.

#### **Lower saddle:**

1. Slowly, gently turn the release valve knob counterclockwise, **NEVER MORE THAN 1/2 FULL TURN** until the load is completely lowered.
2. Immediately transfer the load to an appropriate repair fixture.

### **! Caution !**

Be sure all tools and personnel are clear before lowering load. Dynamic shock loads are created by quickly opening and closing the release valve as the load is being lowered. The resulting overload may cause hydraulic system failure.

### **MAINTENANCE**

Important: Use only a good grade hydraulic jack oil. Avoid mixing different types of fluid and **NEVER** use brake fluid, turbine oil, transmission fluid, motor oil or glycerin. Improper fluid can cause premature failure of the jack and the potential for sudden and immediate loss of load.

#### **Adding oil**

1. With saddle fully lowered, set jack in its upright, level position. Remove oil filler plug.
2. Fill until oil is level with the filler plug hole, reinstall oil filler plug.

#### **Changing oil**

For best performance and longest life, replace the complete fluid supply at least once per year.

1. With saddle fully lowered, set jack in its upright, level position. Remove the oil filler plug.
2. Lay the jack on its side and drain the fluid into a suitable container.

**Note: Dispose of hydraulic fluid in accordance with local regulations.**

3. Set jack in its level upright position.
4. Fill with good quality jack oil. We recommend Mobil DTE 13 or equivalent. Reinstall oil filler plug.

#### **Lubrication**

A periodic coating of light lubricating oil to pivot points, axles and hinges will help to prevent rust and assure that wheels, casters and pump assemblies move freely.

#### **Cleaning**

Periodically check the ram for signs of rust or corrosion. Clean as needed and wipe with an oily cloth.

**Note:** Never use sandpaper or abrasive material on these surfaces!

#### **Storage**

When not in use, store the jack with pump piston and saddle in lowest position.

## TROUBLESHOOTING

Symptom	Possible Causes	Corrective Action
Jack will not lift load	<ul style="list-style-type: none"> <li>• Release valve not tightly closed</li> <li>• Overload condition</li> <li>• Air supply inadequate</li> </ul>	<ul style="list-style-type: none"> <li>• Ensure release valve tightly closed</li> <li>• Remedy overload condition</li> <li>• Ensure adequate air supply</li> </ul>
Jack bleeds off after lift	<ul style="list-style-type: none"> <li>• Release valve not tightly closed</li> <li>• Overload condition</li> <li>• Hydraulic unit malfunction</li> </ul>	<ul style="list-style-type: none"> <li>• Ensure release valve tightly closed</li> <li>• Remedy overload condition</li> <li>• Contact Omega Tech. Service</li> </ul>
Jack will not lower after unloading	<ul style="list-style-type: none"> <li>• Reservoir overfilled</li> <li>• Linkages binding</li> </ul>	<ul style="list-style-type: none"> <li>• Drain fluid to proper level</li> <li>• Clean and lubricate moving parts</li> </ul>
Poor lift performance	<ul style="list-style-type: none"> <li>• Fluid level low</li> <li>• Air trapped in system</li> </ul>	<ul style="list-style-type: none"> <li>• Ensure proper fluid level</li> <li>• With ram fully retracted, remove oil filler plug to let pressurized air escape, then reinstall oil filler plug</li> </ul>
Will not lift to full extension	<ul style="list-style-type: none"> <li>• Fluid level low</li> </ul>	<ul style="list-style-type: none"> <li>• Ensure proper fluid level</li> </ul>

## ONE YEAR LIMITED WARRANTY

For a period of one (1) year from date of purchase, **Shinn Fu Co. of America, Inc.** will repair or replace, at its option, without charge, any of its products which fails due to a defect in material or workmanship, or which fails to conform to any implied warranty not excluded hereby.

Performance of any obligation under this warranty may be obtained by returning the warranted product, freight prepaid, to **Shinn Fu Co. of America, Inc.** Warranty Service Department, 10939 N. Pomona Ave., Kansas City, MO 64153.

Except where such limitations and exclusions are specifically prohibited by applicable law. (1) the CONSUMER'S SOLE AND EXCLUSIVE REMEDY SHALL BE THE REPAIR OR REPLACEMENT OF DEFECTIVE PRODUCTS AS DESCRIBED ABOVE, and (2) **Shinn Fu Co. of America, Inc.** SHALL NOT BE LIABLE FOR ANY CONSEQUENTIAL OR INCIDENTAL DAMAGE OR LOSS WHATSOEVER, and (3) THE DURATION OF ANY AND ALL EXPRESSED AND IMPLIED WARRANTIES, INCLUDING WITHOUT LIMITATION, ANY WARRANTIES OF MERCHANTABILITY AND FITNESS FOR A PARTICULAR PURPOSE, IS LIMITED TO A PERIOD OF ONE (1) YEAR FROM DATE OF PURCHASE.

Some states do not allow limitations on how long an implied warranty lasts, so the above limitation may not apply to you. Some states do not allow the exclusion or limitation of incidental or consequential damages, so the above limitation or exclusion may not apply to you. This warranty gives you specific legal rights, and you may also have other rights which vary from state to state.

## REPLACEMENT PARTS

**Available Parts:** Please refer to the Parts drawings on pages 5, 6, and when ordering parts. Not all components of the jack are replacement items, but are illustrated as a convenient reference of location and position in the assembly sequence. When ordering parts, give Figure No. and the description. For example, to order an oil filler plug for Model No. 41100, simply request Part # 41100-07, oil filler plug for Model No. 41100. Call or write for current pricing: Shinn Fu Company of America, Inc. 10939 N. Pomona Ave. Kansas City, MO 64153, U.S.A. Tel:(888)332-6419 Fax:(816)891-6599 E-Mail:sales@omegalift.com Omega Website: <http://www.omegalift.com>

Model 41100

<u>Parts No.</u>	<u>Description</u>	<u>Quantity</u>
1	power unit	1
2	oil filler plug	1
3	hyd. unit pivot pin	2
4	angle bracket assy.	2
5	chain	1
6	caster assembly	4
7	handle	1
8	adjusting knob	1
9	saddle	1
10	saddle support	1
--	label (not shown)	1
--	manual (OIPM# 41100-TJ2)	1

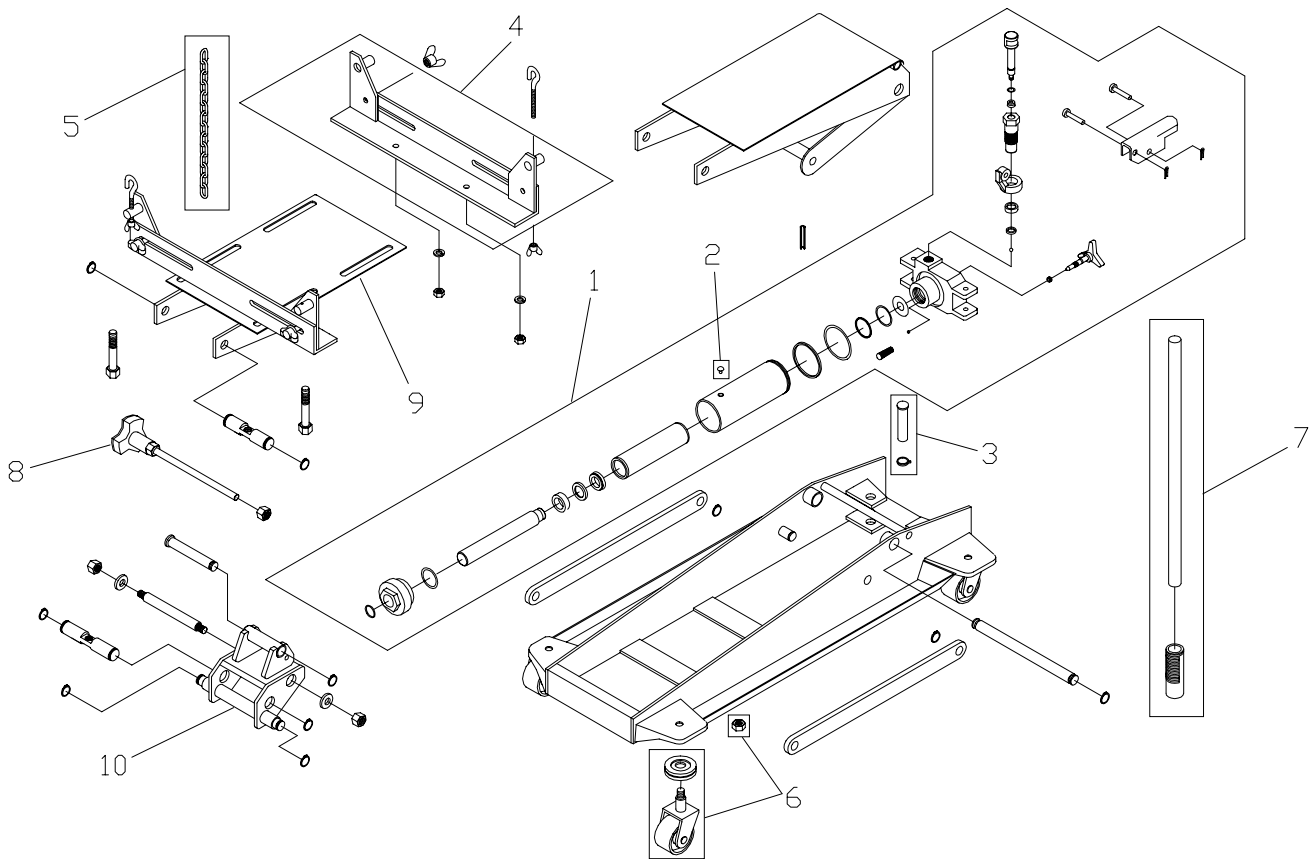


Figure 2 - Replacement Parts for Model 41100

Model 42000

<u>Parts No.</u>	<u>Description</u>	<u>Quantity</u>
1	power unit	1
2	oil filler plug	1
4	angle bracket assy.	2
5	chain	1
6	caster assembly	4
7	handle	1
8	adjusting knob	2
9	saddle	1
10	saddle support	1
--	label (not shown)	1
--	manual (OIPM# 41100-TJ2)	1

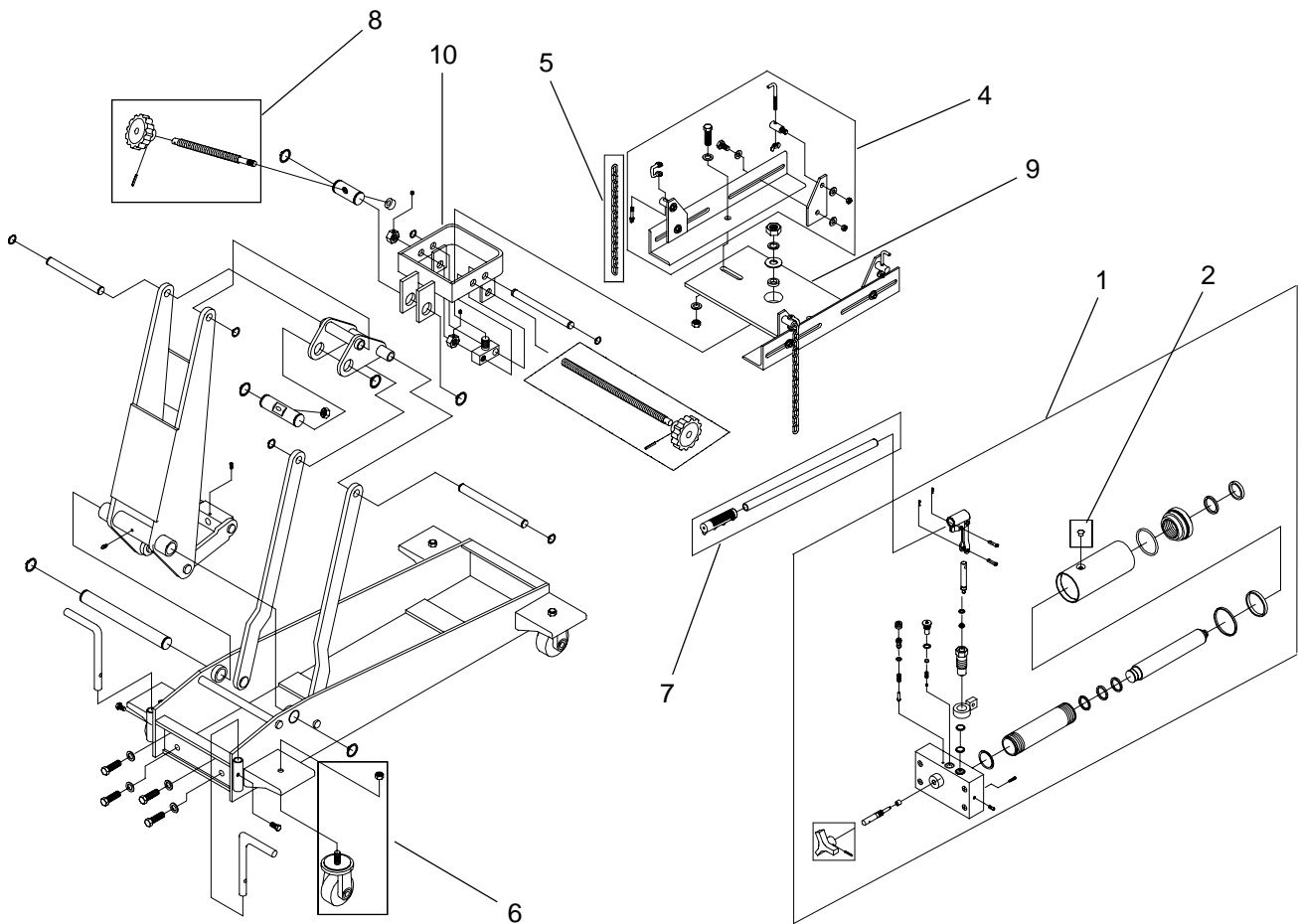


Figure 3 - Replacement Parts for Model 42000

Model 43000

<u>Parts No.</u>	<u>Description</u>	<u>Quantity</u>
1	power unit	1
2	oil filler screw	1
3	handle assembly	1
4	caster assembly	4
5	saddle assembly	1
6	adjusting knob	2
7	chain	2
--	label (not shown)	1
-	manual (OIPM# 41100-TJ2)	1

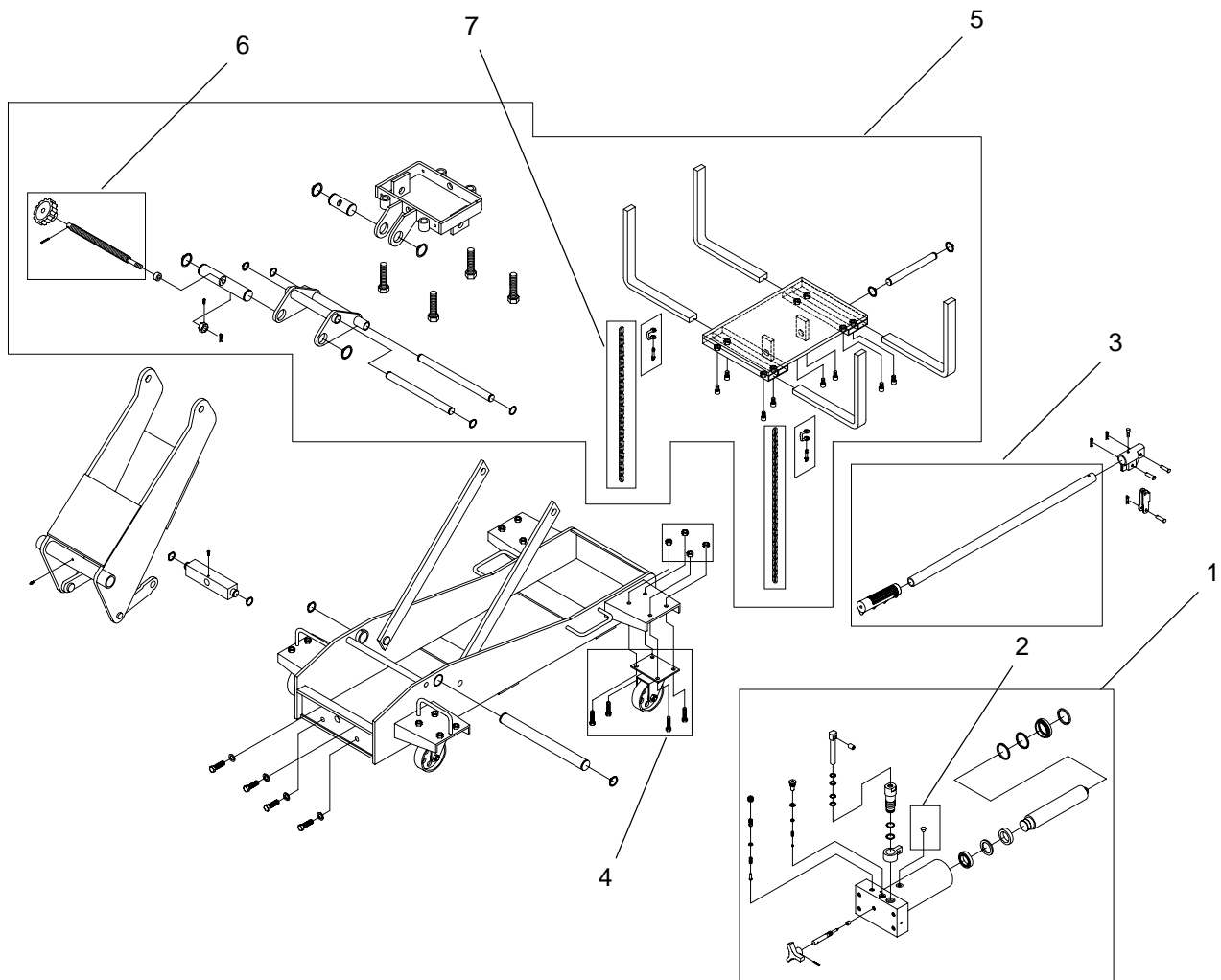


Figure 4 - Replacement Parts for Model 43000





## Free Manuals Download Website

<http://myh66.com>

<http://usermanuals.us>

<http://www.somanuals.com>

<http://www.4manuals.cc>

<http://www.manual-lib.com>

<http://www.404manual.com>

<http://www.luxmanual.com>

<http://aubethermostatmanual.com>

Golf course search by state

<http://golfingnear.com>

Email search by domain

<http://emailbydomain.com>

Auto manuals search

<http://auto.somanuals.com>

TV manuals search

<http://tv.somanuals.com>