

1 YEAR
WARRANTY

MADE IN
USA



User's Guide



Shop online at

omega.com®

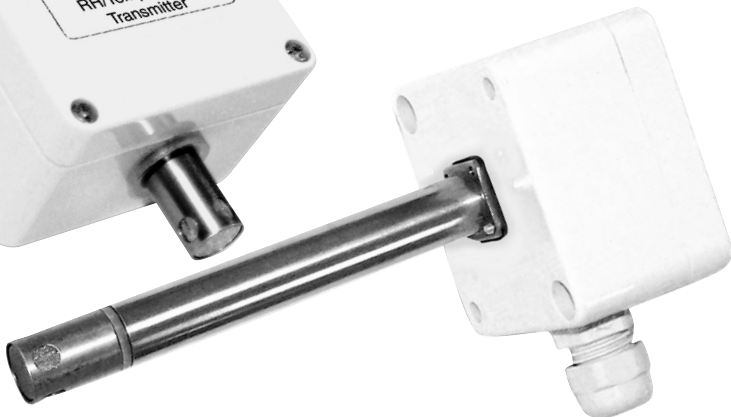
OMEGA®

www.omega.com

e-mail: info@omega.com

ISO 9001
CERTIFIED
CORPORATE QUALITY
STAMFORD, CT

ISO 9002
CERTIFIED
CORPORATE QUALITY
MANCHESTER, UK



HX93A, HX93DA SERIES RH/Temperature Transmitter



OMEGAnet® Online Service www.omega.com	Internet e-mail info@omega.com
---	---

Servicing North America:

USA: One Omega Drive, Box 4047
ISO 9001 Certified Stamford CT 06907-0047
Tel: (203) 359-1660 FAX: (203) 359-7700
e-mail: info@omega.com

Canada: 976 Bergar
Laval (Quebec) H7L 5A1, Canada
Tel: (514) 856-6928 FAX: (514) 856-6886
e-mail: info@omega.ca

For immediate technical or application assistance:

USA and Canada: Sales Service: 1-800-826-6342 / 1-800-TC-OMEGA®
Customer Service: 1-800-622-2378 / 1-800-622-BEST®
Engineering Service: 1-800-872-9436 / 1-800-USA-WHEN®
TELEX: 996404 EASYLINK: 62968934 CABLE: OMEGA

Mexico: En Español: (001) 203-359-7803 e-mail: espanol@omega.com
FAX: (001) 203-359-7807 info@omega.com.mx

Servicing Europe:

Benelux: Postbus 8034, 1180 LA Amstelveen, The Netherlands
Tel: +31 (0)20 3472121 FAX: +31 (0)20 6434643
Toll Free in Benelux: 0800 0993344
e-mail: sales@omegaeng.nl

Czech Republic: Frystatska 184, 733 01 Karviná, Czech Republic
Tel: +420 (0)59 6311899 FAX: +420 (0)59 6311114
Toll Free: 0800-1-66342 e-mail: info@omegashop.cz

France: 11, rue Jacques Cartier, 78280 Guyancourt, France
Tel: +33 (0)1 61 37 2900 FAX: +33 (0)1 30 57 5427
Toll Free in France: 0800 466 342
e-mail: sales@omega.fr

Germany/Austria: Daimlerstrasse 26, D-75392 Deckenpfronn, Germany
Tel: +49 (0)7056 9398-0 FAX: +49 (0)7056 9398-29
Toll Free in Germany: 0800 639 7678
e-mail: info@omega.de

United Kingdom: One Omega Drive, River Bend Technology Centre
ISO 9002 Certified Northbank, Irlam, Manchester
M44 5BD United Kingdom
Tel: +44 (0)161 777 6611 FAX: +44 (0)161 777 6622
Toll Free in United Kingdom: 0800-488-488
e-mail: sales@omega.co.uk

It is the policy of OMEGA to comply with all worldwide safety and EMC/EMI regulations that apply. OMEGA is constantly pursuing certification of its products to the European New Approach Directives. OMEGA will add the CE mark to every appropriate device upon certification.

The information contained in this document is believed to be correct, but OMEGA Engineering, Inc. accepts no liability for any errors it contains, and reserves the right to alter specifications without notice.

WARNING: These products are not designed for use in, and should not be used for, human applications.

HX93A, HX93DA SERIES RH/Temperature Transmitter

TABLE OF CONTENTS

Section	Page
1. General Description	1
2. Unpacking	1
3. Theory of Operation	2
4. Mounting	3
5. Electrical Connections	4
6. Current Transmitter Wiring Examples	4
7. Voltage Transmitter Wiring Examples	5
8. Relative Humidity Output Calculations	5
9. RH Measured Vs Output Reading	6
10. Temperature Output Calculations	6
11. Calibration	7
12. Calibration Procedure For HX93AC, HX93DA Series Relative Humidity Adjustment	7
13. Calibration Procedure For HX93AC, HX93DA Series Temperature Adjustment	8
14. Calibration Procedure For HX93AV Relative Humidity Adjustment	9
15. Calibration Procedure For HX93AV Temperature Adjustment	10
15A, Display Scaling For HX93DA Series	11
16. Maintenance	12
17. Specifications	12
18. General Specifications	13

Figure		Page
Figure 1	Basic Transmitter Set-up With Current Loop Output	2
Figure 2	Wall Mount Model Dimensions	3
Figure 3	Duct Mount And Remote Probe Model Dimensions	3
Figure 4	Current Transmitter Wiring Example (4 - 20 mA)	4
Figure 5	Voltage Transmitter Wiring Example	5
Figure 6	HX93AC Calibration Procedure Relative Humidity Adjustment	7
Figure 7	HX93AC Calibration Procedure Temperature Adjustment	8
Figure 8	HX93AV Calibration Procedure Relative Humidity Adjustment	9
Figure 9	HX93AV Calibration Procedure Temperature Adjustment	10
Figure 10	Transmitter Lid Rear View	11

1. General Description

The OMEGA® HX93A and HX93DA Series Relative Humidity/ Temperature Transmitter's provide a linearized and temperature compensated output signal of 4 to 20 mA or 0 to 1 Vdc depending upon the model selected for both relative humidity and temperature measurement. The output signals have been calibrated and scaled 0 to 100% for Relative Humidity and -20 to 75°C for temperature. A thin film polymer capacitor senses relative humidity while an 100 ohm RTD measures temperature, both are protected by a stainless steel filter that is easily removed for cleaning. The Nema rated polycarbonate enclosure and cable entry connection provides weathertight protection. Screws are provided for mounting via internal holes inside the enclosure. The HX93DA Series has dual built-in indicators for humidity and temperature.

2. Unpacking

Remove the packing list and verify that you have received all your equipment. If you have any questions about the shipment, please call our Customer Service Department at:

1-800-622-2378 or 203-359-1660. On the web you can find us at:
www.omega.com e-mail: cservice@omega.com

When you receive the shipment, inspect the container and equipment for any signs of damage. Note any evidence of rough handling in transit. Immediately report any damage to the shipping agent.

NOTE

The carrier will not honor any damage claims unless all shipping material is saved for inspection. After examining and removing contents, save packing material and carton in the event reshipment is necessary.

The following items are supplied in the box with your HX93A transmitter.

- This Manual, # M0933A (1 ea.)
- #6 Wall Anchor and #6 Mounting Screw (2 ea.)
- Dewpoint Card (1 ea.)

Additional Transmitter Models Available

Model	Description
HX92AC	Wall mount RH transmitter (4 to 20 mA Output)
HX92AV	Wall mount RH transmitter (0 to 1 Vdc Output)
HX92AC-D	Duct mount RH transmitter (4 to 20 mA Output)
HX92AV-D	Duct mount RH transmitter (0 to 1 Vdc Output)

continued on next page

continued from page 1

- HX15AV-W Wall mount "High Ambient Temperature" application
RH/Temperature transmitter (dual 0 to 1 Vdc Output)
- HX15AC-W Wall mount "High Ambient Temperature" application
RH/Temperature transmitter (dual 4 to 20 mA Output)
- HX15AV-D Duct mount "High Ambient Temperature" application
RH/Temperature transmitter (dual 0 to 1 Vdc Output)
- HX15AC-D Duct mount "High Ambient Temperature" application
RH/Temperature transmitter (dual 4 to 20 mA Output)

3. Theory of Operation

A 4-20 mA loop is a series loop in which a transmitter will vary the current flow depending on the input to the transmitter. In the HX93A and the HX93DA Series the amount of current allowed to flow in the loop will vary depending on the relative humidity or temperature being measured by the sensor(s). Some advantages of a current output over a voltage output is that the signal measured is less susceptible to electrical noise interference and the loop can support more than one measuring instrument as long as the maximum loop resistance is not exceeded.

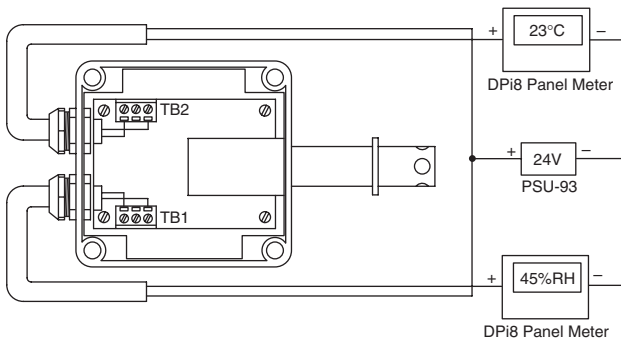
A typical application utilizing a current loop will normally consist of a power supply, the transmitter and a meter, recorder or controller to measure the current flow. The loop resistance in the sum of the measuring instruments and wire used. The maximum allowable loop resistance for the HX93A or HX93DA to function properly is found by using the following formula:

For HX93A $R_{\max} = (\text{power supply voltage} - 6 \text{ volts}) \div .02 \text{ amps}$
EXAMPLE: (When using a 24 Vdc power supply).

$$R_{\max} = (24 - 6) \div .02 \text{ amps} = 900 \text{ ohms max loop resistance}$$

For HX93DA $R_{\max} = (\text{power supply voltage} - 12 \text{ volts}) \div .02 \text{ amps}$
EXAMPLE: (When using a 24 Vdc power supply).

$$R_{\max} = (24 - 12) \div .02 \text{ amps} = 600 \text{ ohms max loop resistance}$$



Complimentary Instruments

Power Supply, OMEGA® Part No.: PSU-93
 Csi32 Series Panel Meters and Controllers

Recommended Accessories

Shielded Transmitter Cable, OMEGA® Part No.: TX4-100 (100 ft)
 RH Calibration Kit, OMEGA® Part No.: HX92-CAL

4. Mounting

OMEGA's HX93A and HX93DA transmitter's are designed for either wall, duct or remote probe mounting depending upon model. Plastic wall anchors and mounting screws are included for wall mounting and remote probe models. A duct mounting kit is included with duct mount models.

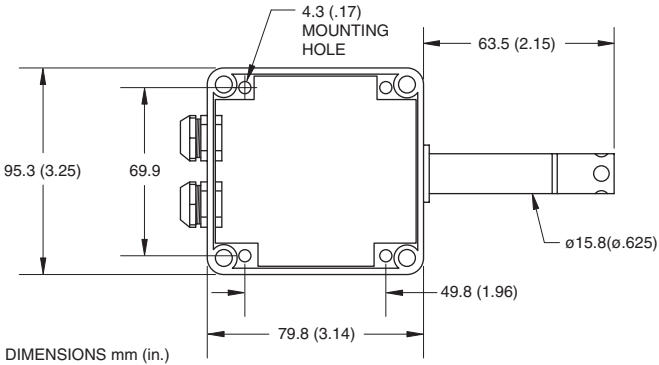


Figure 2 - Wall Mount Model Dimensions, mm (inches)

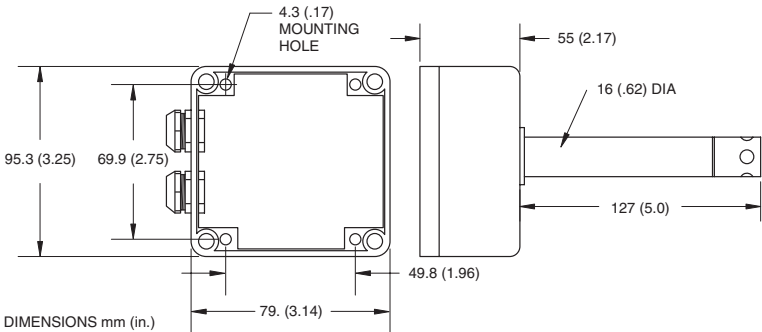


Figure 3 - Duct Mount & Remote Probe Model Dimensions, mm (inches)

5. Electrical Connections

CAUTION

All electrical connections and wiring should be performed by a suitably trained professional only.

Models: HX93AC, HX93AC-D, HX93AC-RP1, HX93DAC, HX93DAC-D, HX93DAC-RP1 (Current Output)

TB1 - Relative Humidity

1. + Power Supply

2. No Connection

3. 4-20 mA Output

TB2 - Temperature

1. + Power Supply

2. No Connection

3. 4-20 mA Output

6. Current Transmitter Wiring Examples

For current output models (4 – 20 mA)

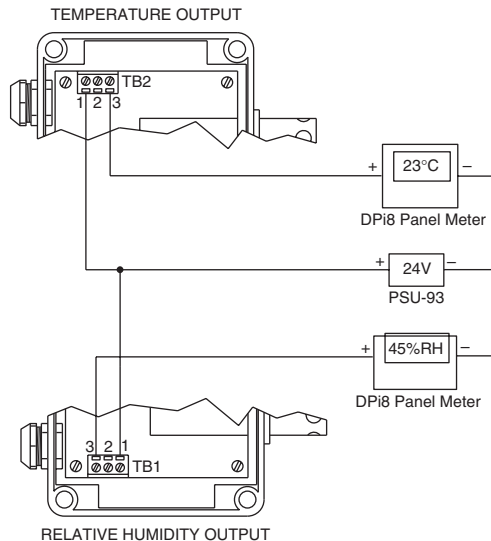


Figure 4 - Current Transmitter Wiring Example, (4 - 20 mA)

CAUTION

All electrical connections and wiring should be performed by a suitably trained professional only.

HX93A, HX93DA SERIES RH/Temperature Transmitter

7

Models: HX93AV, HX93AV-D HX93AV-RP1 (Voltage Output)

TB1 - Relative Humidity

TB2 - Temperature

1. + Power Supply

1. + Power Supply

2. + Output

2. + Output

3. - Power Supply

3. - Power Supply

7. Voltage Transmitter Wiring Examples

For voltage output models (0 to 1 Vdc)

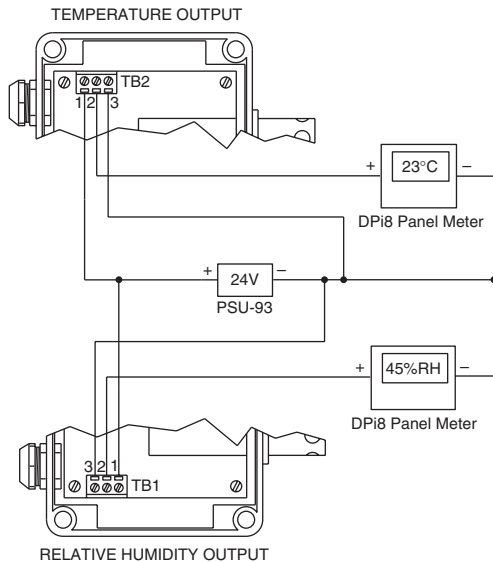


Figure 5 - Voltage Transmitter Wiring Example

8. Relative Humidity Output Calculations

To calculate % Relative Humidity by measuring the current or voltage output use the following formulas.

For current output:

% RH = (Current measured in miliamps - 4) ÷ .16

EXAMPLE: $(11.04 \text{ mA} - 4) \div .16 = 44\% \text{ RH}$

For voltage output:

% RH = (Voltage measured in volts x 100)

EXAMPLE: $.44 \times 100 = 44\% \text{ RH}$

9. RH Measured Vs Output Reading

% Relative Humidity	Output	
	Current (mA)	Voltage (Vdc)
5	4	0.8
10	5.6	.10
15	6.4	.15
20	7.2	.20
25	8.0	.25
30	8.8	.30
35	9.6	.35
40	10.4	.40
45	11.2	.45
50	12.0	.50
55	12.8	.55
60	13.6	.60
65	14.4	.65
70	15.2	.70
75	16.0	.75
80	16.8	.80
85	17.6	.85
90	18.4	.90
95	19.2	.95

10. Temperature Output Calculations

To calculate Temperature by measuring the current or voltage output use the following formulas.

For Current output in °C (-20 to 75°C)

$$^{\circ}\text{C} = (\text{Output measured in miliamps} - 4) \div .1684 - 20 = ^{\circ}\text{C}$$

EXAMPLE: $(12.0 \text{ mA} - 4) \div .1684 - 20 = 27.5^{\circ}\text{C}$

For Current output °F (-4 to 167°F)

$$^{\circ}\text{F} = (\text{Output measured in miliamps} - 4) \div .0935 - 4 = ^{\circ}\text{F}$$

EXAMPLE: $(12.0 \text{ mA} - 4) \div .0935 - 4 = 81.6^{\circ}\text{F}$

For Voltage output in °C (-20 to 75°C)

$$^{\circ}\text{C} = (\text{Output measured in volts} \div .010526) - 20 = ^{\circ}\text{C}$$

EXAMPLE: $(0.50 \text{ Vdc} \div .010526) - 20 = 27.5^{\circ}\text{C}$

For Voltage output °F (-4 to 167°F)

$$^{\circ}\text{F} = (\text{Output measured in volts} \div .005848) - 4 = ^{\circ}\text{F}$$

EXAMPLE: $(0.50 \text{ Vdc} \div .005848) - 4 = 81.5^{\circ}\text{F}$

11. Calibration

Your transmitter has been factory calibrated to meet or exceed the specifications outlined in this manual. To maintain original specifications it is generally recommended that your transmitter be recalibrated on an annual basis depending on operating conditions.

12. Calibration Procedure for HX93AC (all styles)

Relative Humidity Adjustment

Recommended equipment:

- Humidity Calibration Kit, OMEGA® Model No.: **HX92-CAL**
- Handheld Digital Multi-meter, OMEGA® Model No.: **HHM29**
- Dc Power Supply, OMEGA® Model No.: **PSU-93**

1. Remove enclosure cover
2. Connect transmitter as shown in figure below.
3. Apply power to transmitter and allow to warm up for 15 min.
4. Place unit in a 11% RH environment and allow to stabilize for 15 min.
5. Adjust potentiometer "P1" for a output reading of 5.76 mA
6. Place unit in a 75% RH environment and allow to stabilize for 15 min.
7. Adjust potentiometer "P2" for a output reading of 16.0 mA
8. Repeat steps 4, 5, 6, and 7 as necessary until proper readings are maintained.
9. Calibration complete.

NOTE:
Do not adjust
P3. This is a
factory
setting.

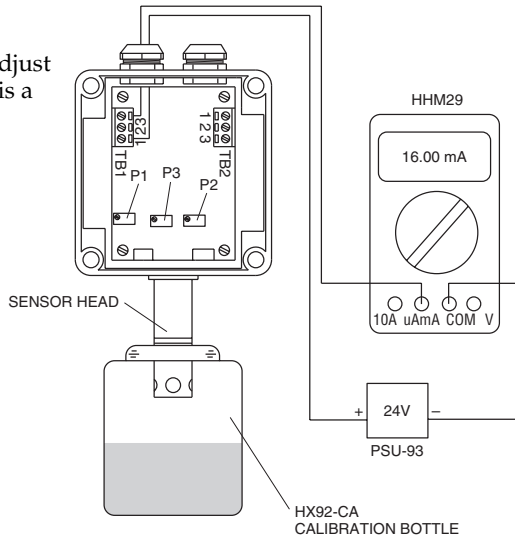


Figure 6 - HX93AC Calibration Procedure
Relative Humidity Adjustment

13. Calibration Procedure for HX93AC (all styles)

Temperature Adjustment

Recommended equipment:

- RTD Simulator OMEGA® Model No.: CL510-1
 - Handheld Digital Multi-meter, OMEGA® Model No.: HHM29
 - Dc Power Supply, OMEGA® Model No.: PSU-93
1. Remove enclosure cover
 2. Connect the power supply and multimeter as shown in the figure below.
 3. Disconnect the 2-wire Connector "J4" from the main Board.
 4. Connect the RTD simulator to the "J4" header on the main board as shown below.
 5. Apply power to transmitter and allow to warm up for 10 min.
 6. Set the RTD simulator to the 0°F position.
 7. Adjust potentiometer "P5" on the main board for a output reading of 4.43 mA @ 0°F
 8. Set the RTD simulator to the 150°F position.
 9. Adjust potentiometer "P4" for a output reading of 18.46 mA 150°F
 10. Repeat steps 6, 7, 8 and 9 as necessary until proper readings are maintained.
 11. Calibration complete.

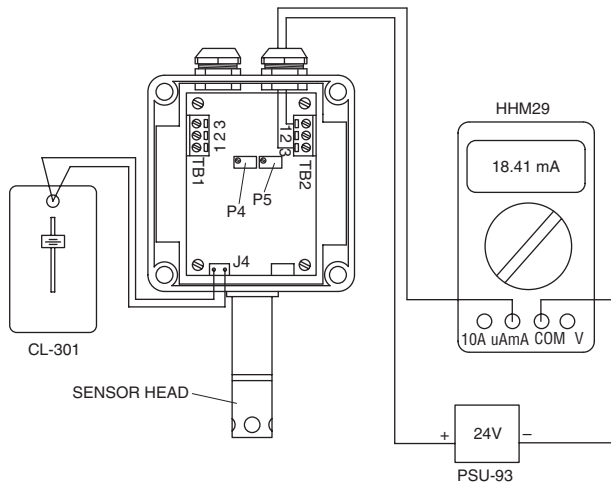


Figure 7 - HX93AC Calibration Procedure
Temperature Adjustment

14. Calibration Procedure for HX93AV (all styles)

Relative Humidity Adjustment

Recommended equipment:

- Humidity Calibration Kit, OMEGA® Model No.: **HX92-CAL**
 - Handheld Digital Multi-meter, OMEGA® Model No.: **HHM29B**
 - Dc Power Supply, OMEGA® Model No.: **PSU-93**
1. Remove enclosure cover.
 2. Connect transmitter as shown in figure below.
 3. Apply power to transmitter and allow to warm up for 15 min.
 4. Place unit in a 11% RH environment and allow to stabilize for 15 min.
 5. Adjust potentiometer "P3" for a output reading of .110 Vdc.
 6. Place unit in a 75% RH environment and allow to stabilize for 15 min.
 7. Adjust potentiometer "P2" for a output reading of .750 Vdc.
 8. Repeat steps 4, 5, 6, and 7 as necessary until proper readings are maintained.
 9. Calibration complete.

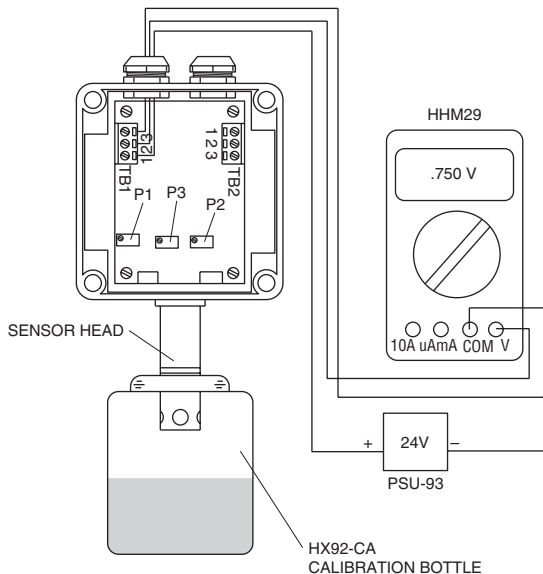


Figure 8 - HX93AV Calibration Procedure
Relative Humidity Adjustment

15. Calibration Procedure for HX93AV (all Styles)

Temperature Adjustment

Recommended equipment:

- 100 Ohm RTD Simulator OMEGA® Model No.: **CL510-1**
- Handheld Digital Multi-meter, OMEGA® Model No.: **HHM29**
- Dc Power Supply, OMEGA® Model No.: **PSU-93**

1. Remove enclosure cover
2. Connect the power supply and multimeter as shown in the figure below.
3. Disconnect the 2-wire Connector "J4" from the main Board.
4. Connect the RTD simulator to the "J4" header on the main board as shown below.
5. Apply power to transmitter and allow to warm up for 10 min.
6. Set the RTD simulator to the 0°F position.
7. Adjust potentiometer "P5" on the main board for a output reading of 0.023 Vdc
8. Set the RTD simulator to the 150°F position.
9. Adjust potentiometer "P4" for a output reading of 0.901 Vdc
10. Repeat steps 6, 7, 8 and 9 as necessary until proper readings are maintained.
11. Calibration complete.

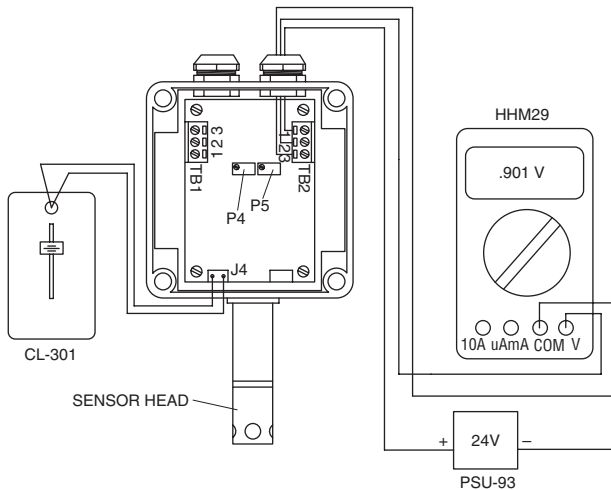


Figure 9 - HX93AV Calibration Procedure
Temperature Adjustment

15A. Display Scaling for HX93DAC (all styles)

Your HX93DA transmitter comes with dual built-in LCD indicators for displaying both Humidity and Temperature. Before the meter adjustment or re-scaling can be done the transmitters current output should be checked as per the calibration procedure in Section 12 and 13 to verify the display will be adjusted correctly and match the analog output.

Relative Humidity Display Scaling

Recommended equipment:

- Humidity Calibration Kit, OMEGA® Model No.: **HX92-CAL**
- Handheld Digital Multi-meter, OMEGA® Model No.: **HHM29**
- Dc Power Supply, OMEGA® Model No.: **PSU-93**

1. Remove enclosure cover
2. Connect transmitter as shown in figure 6.
3. Apply power to transmitter and allow to warm up for 15 min.
4. Place unit in a 11% RH environment and allow to stabilize for 15 min.
5. Adjust potentiometer "ZERO" on the back of the RH display for a reading of 11.0%
6. Place unit in a 75% RH environment and allow to stabilize for 15 min.
7. Adjust potentiometer "GAIN" on the back of the RH display for a reading of 75.0%
8. Repeat steps 4, 5, 6, and 7 as necessary until proper readings are maintained.
9. Re-scaling complete.

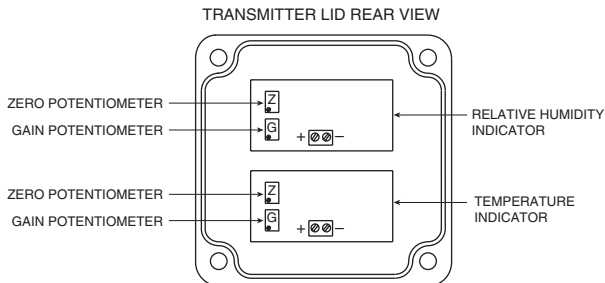


Figure 10 - Transmitter Lid Rear View

Temperature Display Scaling

Recommended equipment:

- RTD Simulator OMEGA® Model No.: **CL510-1**
- Handheld Digital Multi-meter, OMEGA® Model No.: **HHM29**
- Dc Power Supply, OMEGA® Model No.: **PSU-93**

For °F Display

1. Remove enclosure cover
2. Connect the power supply and multimeter as shown in the figure 7.
3. Disconnect the 2-wire Connector "J4" from the main Board.
4. Connect the RTD simulator to the "J4" header on the main board as shown below.
5. Apply power to transmitter and allow to warm up for 10 min.
6. Set the RTD simulator for 0°F output. (See figure on page 11.)
7. Adjust potentiometer "ZERO" on the back of the Temp display for a reading of 0.0°F
8. Set the RTD simulator for 150°F output.
9. Adjust potentiometer "GAIN" on the back of the RH display for a reading of 150.0°F
10. Repeat steps 6, 7, 8 and 9 as necessary until proper readings are maintained.
11. Calibration complete.

For °C Display

12. Remove enclosure cover
 13. Connect the power supply and multimeter as shown in the figure 7.
 14. Disconnect the 2-wire Connector "J4" from the main Board.
 15. Connect the RTD simulator to the "J4" header on the main board as shown below.
 16. Apply power to transmitter and allow to warm up for 10 min.
 17. Set the RTD simulator for 0°C output. (See figure on page 11.)
 18. Adjust potentiometer "ZERO" on the back of the Temp display for a reading of 0.0°C
 19. Set the RTD simulator to the 150°C output.
 20. Adjust potentiometer "GAIN" on the back of the RH display for a reading of 150.0°F
 21. Repeat steps 6, 7, 8 and 9 as necessary until proper readings are maintained.
- Calibration complete.

16. Maintenance

If your Humidity transmitter will be used in a dusty environment, the protective sensor filter, if clogged, may be removed for cleaning. Unscrew the protective cover and gently blow compressed air through the filter screen. A soft brush may also be used to remove dirt particles from the screen.

If the sensor is subjected to 100% condensation, it must be dried to obtain correct readings. There will be no permanent damage or calibration shift to the unit.

Units should not be exposed to high concentrations of ammonia or alcohol vapors.

17. Specifications

Relative Humidity

Measuring Range:	3 - 95% (non-condensing)
Accuracy:	±2.5% @ 72°F with an added temperature coefficient error of -.06% RH/°F (both increasing and decreasing in temperature).
Repeatability:	± 1 % RH
Operating Temperature Range:	-20 to 75°C (-4 to 167°F)
Output:	
Model: HX93AC	4 to 20 mA (Scaled for 0 to 100% RH)
Model : HX93AV	0 to 1 Vdc (Scaled for 0 to 100% RH)
Power:	6 -30 Vdc @ 20mA
Max Loop Resistance:	Ohms = (V supply - 6 V) / .02 A
RH Time Constant (90% response at 25°C, in moving air at 1m/s):	>10 seconds, 10 to 90% RH >15 seconds, 90 to 10% RH
Sensor Type:	Thin Film Polymer Capacitor

Temperature

Measuring Range:	-20 to 75°C (-4 to 167°F)
Accuracy:	± 0.6°C (1°F)
Repeatability:	± 0.3°C (0.5°F)
Output:	
Model: HX93AC	4 to 20 mA (Scaled for 0 to 100% RH)
Model : HX93AV	0 to 1 Vdc (Scaled for 0 to 100% RH)
Power:	
No Displays	6 -30 Vdc @ 20mA
With Displays	12 - 30 Vdc @ 30mA

Max Loop Resistance: Ohms = (V supply – 6 V) / .02 A
Sensor Type: 100 Ohm Platinum RT

18. General Specifications

Enclosure Housing: Gray Polycarbonate, (IP 65, DIN 40050)
NEMA rated up to 13, UL Listed.

Connections

Cable Strain Relief: Nylon, Liquid-tight with neoprene gland for 2.29 to 6.73 mm (.09 to .265") diameter cable.

Wire Connections: Internal 3-Position Terminal Strip. Accepts from 14 to 22 gage wire.

Dimensions: See "Mounting" Section

Weight

Wall Mount Model: 82 g. (3 oz)

Duct Mount Model: 100 g. (3.5 oz)



WARRANTY/DISCLAIMER

OMEGA ENGINEERING, INC. warrants this unit to be free of defects in materials and workmanship for a period of **13 months** from date of purchase. OMEGA's Warranty adds an additional one (1) month grace period to the normal **one (1) year product warranty** to cover handling and shipping time. This ensures that OMEGA's customers receive maximum coverage on each product.

If the unit malfunctions, it must be returned to the factory for evaluation. OMEGA's Customer Service Department will issue an Authorized Return (AR) number immediately upon phone or written request. Upon examination by OMEGA, if the unit is found to be defective, it will be repaired or replaced at no charge. OMEGA's WARRANTY does not apply to defects resulting from any action of the purchaser, including but not limited to mishandling, improper interfacing, operation outside of design limits, improper repair, or unauthorized modification. This WARRANTY is VOID if the unit shows evidence of having been tampered with or shows evidence of having been damaged as a result of excessive corrosion; or current, heat, moisture or vibration; improper specification; misapplication; misuse or other operating conditions outside of OMEGA's control. Components which wear are not warranted, including but not limited to contact points, fuses, and triacs.

OMEGA is pleased to offer suggestions on the use of its various products. However, OMEGA neither assumes responsibility for any omissions or errors nor assumes liability for any damages that result from the use of its products in accordance with information provided by OMEGA, either verbal or written. OMEGA warrants only that the parts manufactured by it will be as specified and free of defects. OMEGA MAKES NO OTHER WARRANTIES OR REPRESENTATIONS OF ANY KIND WHATSOEVER, EXPRESS OR IMPLIED, EXCEPT THAT OF TITLE, AND ALL IMPLIED WARRANTIES INCLUDING ANY WARRANTY OF MERCHANTABILITY AND FITNESS FOR A PARTICULAR PURPOSE ARE HEREBY DISCLAIMED. LIMITATION OF LIABILITY: The remedies of purchaser set forth herein are exclusive, and the total liability of OMEGA with respect to this order, whether based on contract, warranty, negligence, indemnification, strict liability or otherwise, shall not exceed the purchase price of the component upon which liability is based. In no event shall OMEGA be liable for consequential, incidental or special damages.

CONDITIONS: Equipment sold by OMEGA is not intended to be used, nor shall it be used: (1) as a "Basic Component" under 10 CFR 21 (NRC), used in or with any nuclear installation or activity; or (2) in medical applications or used on humans. Should any Product(s) be used in or with any nuclear installation or activity, medical application, used on humans, or misused in any way, OMEGA assumes no responsibility as set forth in our basic WARRANTY/DISCLAIMER language, and, additionally, purchaser will indemnify OMEGA and hold OMEGA harmless from any liability or damage whatsoever arising out of the use of the Product(s) in such a manner.

RETURN REQUESTS/INQUIRIES

Direct all warranty and repair requests/inquiries to the OMEGA Customer Service Department. **BEFORE RETURNING ANY PRODUCT(S) TO OMEGA, PURCHASER MUST OBTAIN AN AUTHORIZED RETURN (AR) NUMBER FROM OMEGA'S CUSTOMER SERVICE DEPARTMENT (IN ORDER TO AVOID PROCESSING DELAYS).** The assigned AR number should then be marked on the outside of the return package and on any correspondence.

The purchaser is responsible for shipping charges, freight, insurance and proper packaging to prevent breakage in transit.

FOR **WARRANTY** RETURNS, please have the following information available BEFORE contacting OMEGA:

1. Purchase Order number under which the product was PURCHASED,
2. Model and serial number of the product under warranty, and
3. Repair instructions and/or specific problems relative to the product.

FOR **NON-WARRANTY** REPAIRS, consult OMEGA for current repair charges. Have the following information available BEFORE contacting OMEGA:

1. Purchase Order number to cover the COST of the repair,
2. Model and serial number of the product, and
3. Repair instructions and/or specific problems relative to the product.

OMEGA's policy is to make running changes, not model changes, whenever an improvement is possible. This affords our customers the latest in technology and engineering.

OMEGA is a registered trademark of OMEGA ENGINEERING, INC.

© Copyright 2003 OMEGA ENGINEERING, INC. All rights reserved. This document may not be copied, photocopied, reproduced, translated, or reduced to any electronic medium or machine-readable form, in whole or in part, without the prior written consent of OMEGA ENGINEERING, INC.

Where Do I Find Everything I Need for Process Measurement and Control? **OMEGA...Of Course!**

Shop online at www.omega.com

TEMPERATURE

- ☑ Thermocouple, RTD & Thermistor Probes, Connectors, Panels & Assemblies
- ☑ Wire: Thermocouple, RTD & Thermistor
- ☑ Calibrators & Ice Point References
- ☑ Recorders, Controllers & Process Monitors
- ☑ Infrared Pyrometers

PRESSURE, STRAIN AND FORCE

- ☑ Transducers & Strain Gages
- ☑ Load Cells & Pressure Gages
- ☑ Displacement Transducers
- ☑ Instrumentation & Accessories

FLOW/LEVEL

- ☑ Rotameters, Gas Mass Flowmeters & Flow Computers
- ☑ Air Velocity Indicators
- ☑ Turbine/Paddlewheel Systems
- ☑ Totalizers & Batch Controllers

pH/CONDUCTIVITY

- ☑ pH Electrodes, Testers & Accessories
- ☑ Benchtop/Laboratory Meters
- ☑ Controllers, Calibrators, Simulators & Pumps
- ☑ Industrial pH & Conductivity Equipment

DATA ACQUISITION

- ☑ Data Acquisition & Engineering Software
- ☑ Communications-Based Acquisition Systems
- ☑ Plug-in Cards for Apple, IBM & Compatibles
- ☑ Datalogging Systems
- ☑ Recorders, Printers & Plotters

HEATERS

- ☑ Heating Cable
- ☑ Cartridge & Strip Heaters
- ☑ Immersion & Band Heaters
- ☑ Flexible Heaters
- ☑ Laboratory Heaters

ENVIRONMENTAL MONITORING AND CONTROL

- ☑ Metering & Control Instrumentation
- ☑ Refractometers
- ☑ Pumps & Tubing
- ☑ Air, Soil & Water Monitors
- ☑ Industrial Water & Wastewater Treatment
- ☑ pH, Conductivity & Dissolved Oxygen Instruments

M0933A/0703

Free Manuals Download Website

<http://myh66.com>

<http://usermanuals.us>

<http://www.somanuals.com>

<http://www.4manuals.cc>

<http://www.manual-lib.com>

<http://www.404manual.com>

<http://www.luxmanual.com>

<http://aubethermostatmanual.com>

Golf course search by state

<http://golfingnear.com>

Email search by domain

<http://emailbydomain.com>

Auto manuals search

<http://auto.somanuals.com>

TV manuals search

<http://tv.somanuals.com>