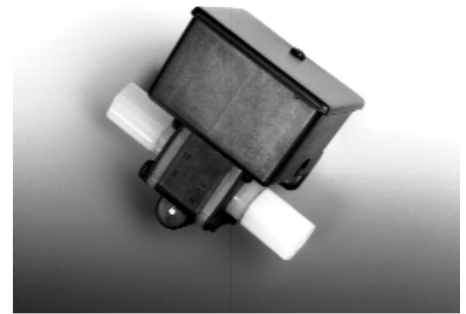


# PSW-180 TEFLON SERIES

## Differential Pressure Switches



INSTRUCTION  
SHEET

M3569/0500

### GENERAL

PSW-180 Teflon® differential pressure switch utilizes a diaphragm sensor to monitor pressure changes. The switch utilizes dual diaphragm sensors to monitor the difference in pressure between two sources. PFA Teflon® wetted ports insure corrosion resistance in highly corrosive applications and is well suited for high purity applications.

## Part I - Installation

#### Tools Needed

Applicable Screwdriver

Flaretek® tubing cutter 213-14 or equal

Flaretek® flaring tool 213-58 or equal

Flaretek® tools may be ordered from

Flouoware, Inc., Phone (612) 448 - 3131

### MOUNTING



LOCATE SWITCH WHERE VIBRATION, SHOCK, AND AMBIENT TEMPERATURE FLUCTUATIONS ARE MINIMAL.

The control can be mounted in any position. Locate where ambient temperature is above 30°F and below 160°F.

#### Surface Mounting

Insert two #6 screws through mounting ear holes on 2" centers (recommended mounting for maximum vibration resistance). Follow directions for making pressure connection.

#### Pipe Mounting

Mount unit from its port(s). Follow directions for making pressure connection.



Figure 1

#### Making Pressure Connection

Use proper tools and prepare tubing per manufacturers recommendations. Cut tubing. Slip nut over tubing. Flare tubing. Press tubing onto pressure connection, making certain tubing is seated on pressure connection shoulder. Tighten nut, hand tight, onto pressure connection (see Figure 1).

Minimum torque requirement for 1/4" nut is 5 inch • pounds (0.57 Newton • Meters). Be sure to connect high pressure source to port labeled "HIGH." Connect low pressure source to "LOW."



NEVER TIGHTEN BY TURNING THE CONTROL INTO THE FITTING.



DO NOT USE A WRENCH. FITTING MUST BE HAND TIGHTENED ONLY, OVER TIGHTENING MAY DAMAGE THE PORT.

### WIRING



ALL LIVE SUPPLY CIRCUITS MUST BE DISCONNECTED BEFORE WIRING THE CONTROL. CONNECT THE CONDUIT TO THE HOLE IN ACCORDANCE WITH NATIONAL AND LOCAL CODES. MAXIMUM RECOMMENDED WIRE SIZE IS 16 AWG.

Unscrew terminal just enough to put stripped wire under terminal block clamp. Nominal torque value for terminal block screws is 9.0 in-lbs.

Conduit hub is to be connected to conduit before conduit is connected to enclosure.

## Part II - Adjustments

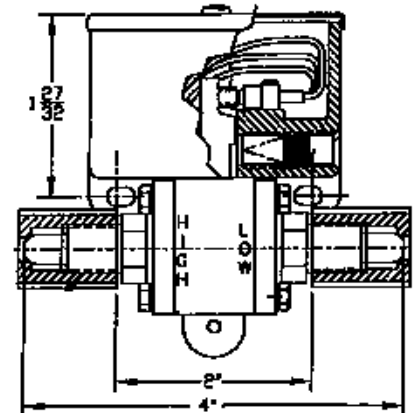
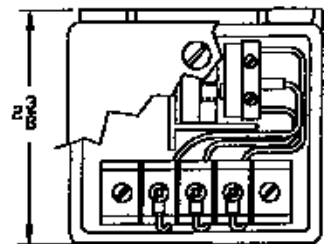
#### Tools Needed

Flat blade screwdriver

Use screwdriver to turn external adjusting screw on the side. Turn "in" (clockwise) to increase pressure setting. For best setting accuracy, set the

switch using the actual working pressures encountered in the application.

### Dimensions



All dimensions are stated in inches unless noted.



OMEGAnet® On-Line Service  
www.omega.com

Internet e-mail  
info@omega.com

**Servicing North America:**

**USA:**  
O 9001 Certified

One Omega Drive, Box 4047  
Stamford CT 06907-0047  
Tel: (203) 359-1660 FAX: (203) 359-7700  
e-mail: info@omega.com

**Canada:**

976 Bergar  
Laval (Quebec) H7L 5A1  
Tel: (514) 856-6928 FAX: (514) 856-6886  
e-mail: info@omega.ca

**For immediate technical or application assistance:**

**USA and Canada:** Sales Service: 1-800-826-6342 / 1-800-TC-OMEGA®  
Customer Service: 1-800-622-2378 / 1-800-622-BEST®  
Engineering Service: 1-800-872-9436 / 1-800-USA-WHEN®  
TELEX: 996404 EASYLINK: 62968934 CABLE: OMEGA

**Mexico:**

En Español: (001) 203-359-7803 e-mail:espanol@omega.com  
FAX: (001) 203-359-7807 info@omega.com.mx

**Servicing Europe:**

**Benelux:**

Postbus 8034, 1180 LA Amstelveen, The Netherlands  
Tel: +31 (0)20 6418405 FAX: +31 (0)20 6434643  
Toll Free in Benelux: 0800 0993344  
e-mail: nl@omega.com

**Czech Republic:**

Rudé armády 1868, 733 01 Karviná 8  
Tel: +420 (0)69 6311899 FAX: +420 (0)69 6311114  
Toll Free: 0800-1-66342 e-mail: czech@omega.com

**France:**

9, rue Denis Papin, 78190 Trappes  
Tel: +33 (0)130 621 400 FAX: +33 (0)130 699 120  
Toll Free in France: 0800-4-06342  
e-mail: france@omega.com

**Germany/Austria:**

Daimlerstrasse 26, D-75392 Deckenpfronn, Germany  
Tel: +49 (0)7059 9398-0 FAX: +49 (0)7056 9398-29  
Toll Free in Germany: 0800 639 7678  
e-mail: germany@omega.com

**United Kingdom:**

ISO 9002 Certified One Omega Drive, River Bend Technology Centre  
Northbank, Irlam, Manchester  
M44 5EX United Kingdom  
Tel: +44 (0)161 777 6611 FAX: +44 (0)161 777 6622  
Toll Free in United Kingdom: 0800-488-488  
e-mail: sales@omega.co.uk

It is the policy of OMEGA to comply with all worldwide safety and EMC/EMI regulations that apply. OMEGA is constantly pursuing certification of its products to the European New Approach Directives. OMEGA will add the CE mark to every appropriate device upon certification.

The information contained in this document is believed to be correct, but OMEGA Engineering, Inc. accepts no liability for any errors it contains, and reserves the right to alter specifications without notice.

**WARNING:** These products are not designed for use in, and should not be used for, patient-connected applications.



**WARRANTY/DISCLAIMER**

OMEGA ENGINEERING, INC. warrants this unit to be free of defects in materials and workmanship for a period of **13 months** from date of purchase. OMEGA's WARRANTY adds an additional one (1) month grace period to the normal **one (1) year product warranty** to cover handling and shipping time. This ensures that OMEGA's customers receive maximum coverage on each product.

If the unit malfunctions, it must be returned to the factory for evaluation. OMEGA's Customer Service Department will issue an Authorized Return (AR) number immediately upon phone or written request. Upon examination by OMEGA, if the unit is found to be defective, it will be repaired or replaced at no charge. OMEGA's WARRANTY does not apply to defects resulting from any action of the purchaser, including but not limited to mishandling, improper interfacing, operation outside of design limits, improper repair, or unauthorized modification. This WARRANTY is VOID if the unit shows evidence of having been tampered with or shows evidence of having been damaged as a result of excessive corrosion; or current, heat, moisture or vibration; improper specification; misapplication; misuse or other operating conditions outside of OMEGA's control. Components which wear are not warranted, including but not limited to contact points, fuses, and triacs.

**OMEGA is pleased to offer suggestions on the use of its various products. However, OMEGA neither assumes responsibility for any omissions or errors nor assumes liability for any damages that result from the use of its products in accordance with information provided by OMEGA, either verbal or written. OMEGA warrants only that the parts manufactured by it will be as specified and free of defects. OMEGA MAKES NO OTHER WARRANTIES OR REPRESENTATIONS OF ANY KIND WHATSOEVER, EXPRESS OR IMPLIED, EXCEPT THAT OF TITLE, AND ALL IMPLIED WARRANTIES INCLUDING ANY WARRANTY OF MERCHANTABILITY AND FITNESS FOR A PARTICULAR PURPOSE ARE HEREBY DISCLAIMED. LIMITATION OF LIABILITY: The remedies of purchaser set forth herein are exclusive, and the total liability of OMEGA with respect to this order, whether based on contract, warranty, negligence, indemnification, strict liability or otherwise, shall not exceed the purchase price of the component upon which liability is based. In no event shall OMEGA be liable for consequential, incidental or special damages.**

CONDITIONS: Equipment sold by OMEGA is not intended to be used, nor shall it be used: (1) as a "Basic Component" under 10 CFR 21 (NRC), used in or with any nuclear installation or activity; or (2) in medical applications or used on humans. Should any Product(s) be used in or with any nuclear installation or activity, medical application, used on humans, or misused in any way, OMEGA assumes no responsibility as set forth in our basic WARRANTY/DISCLAIMER language, and, additionally, purchaser will indemnify OMEGA and hold OMEGA harmless from any liability or damage whatsoever arising out of the use of the Product(s) in such a manner.

**RETURN REQUESTS / INQUIRIES**

Direct all warranty and repair requests/inquiries to the OMEGA Customer Service Department. BEFORE RETURNING ANY PRODUCT(S) TO OMEGA, PURCHASER MUST OBTAIN AN AUTHORIZED RETURN (AR) NUMBER FROM OMEGA'S CUSTOMER SERVICE DEPARTMENT (IN ORDER TO AVOID PROCESSING DELAYS). The assigned AR number should then be marked on the outside of the return package and on any correspondence.

The purchaser is responsible for shipping charges, freight, insurance and proper packaging to prevent breakage in transit.

FOR **WARRANTY** RETURNS, please have the following information available BEFORE contacting OMEGA:

1. Purchase Order number under which the product was PURCHASED,
2. Model and serial number of the product under warranty, and
3. Repair instructions and/or specific problems relative to the product.

FOR **NON-WARRANTY** REPAIRS, consult OMEGA for current repair charges. Have the following information available BEFORE contacting OMEGA:

1. Purchase Order number to cover the COST of the repair,
2. Model and serial number of the product, and
3. Repair instructions and/or specific problems relative to the product.

OMEGA's policy is to make running changes, not model changes, whenever an improvement is possible. This affords our customers the latest in technology and engineering.

OMEGA is a registered trademark of OMEGA ENGINEERING, INC.

© Copyright 2000 OMEGA ENGINEERING, INC. All rights reserved. This document may not be copied, photocopied, reproduced, translated, or reduced to any electronic medium or machine-readable form, in whole or in part, without the prior written consent of OMEGA ENGINEERING, INC.

Download from Wwww.Somanuals.com. All Manuals Search And Download.

## Free Manuals Download Website

<http://myh66.com>

<http://usermanuals.us>

<http://www.somanuals.com>

<http://www.4manuals.cc>

<http://www.manual-lib.com>

<http://www.404manual.com>

<http://www.luxmanual.com>

<http://aubethermostatmanual.com>

Golf course search by state

<http://golfingnear.com>

Email search by domain

<http://emailbydomain.com>

Auto manuals search

<http://auto.somanuals.com>

TV manuals search

<http://tv.somanuals.com>