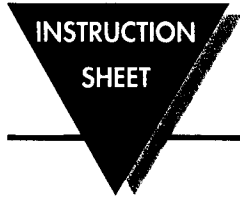


# OS540

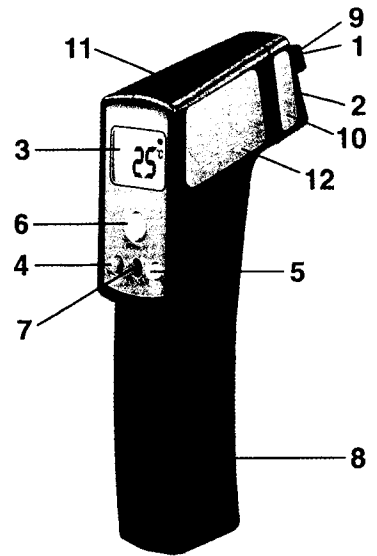
## Mini Infrared Thermometer



M36Z3/0900



Laser Warning Label



### FRONT PANEL DESCRIPTION

- |                         |                            |
|-------------------------|----------------------------|
| 1. Laser pointer beam   | 9. Laser Dot/Circle Switch |
| 2. IR sensor            | 10. Laser Dot/Circle Label |
| 3. LCD Display          | 11. Laser Warning Label    |
| 4. C/F select key       | 12. Field of View Label    |
| 5. Backlight select key |                            |
| 6. Measure key          |                            |
| 7. Laser key            |                            |
| 8. Battery compartment  |                            |

- Precise non-contact temperature measurements
- Switchable °C/°F temperature units
- Automatic data hold
- Laser target pointer switchable between laser dot and circle

### 1. SAFETY

Use extreme caution when the laser beam is turned On.

! Do not let the beam enter your eye, another person's eye or the eye of an animal.

! Be careful not to let the beam on a reflective surface strike your eye.

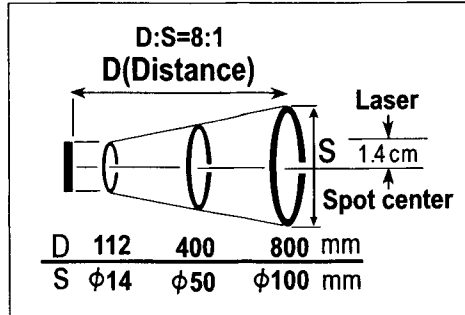
! Do not operate the laser light beam in presence of any gas which can explode.

### 2. GENERAL SPECIFICATIONS

Display backlighting	LCD display with
Measurement Ranges	-4 to 788°F (-20 to 420°C)
Sample rate	1 sec. approx.
Power off	Automatic shutoff after 5 seconds
Operating Temperature	0°C to 50°C (32°F to 122°F).
Operating Humidity	Max. 80% RH.
Power Supply	9V battery
Power Current	Approx. 12mA DC
Weight	120g/6.4oz.
Size	16.7 x 1.7 x 1.6" (170 x 44 x 40mm)

### LASER SIGHT

Wave length(color)	675nm (red)
Operating Distance	Up to 30Ft.Max.
Output Optical Power	<1mW, Class II Laser Product
Beam Diameter	—
Beam Divergence	—
Power Indicator	LCD icon



### RANGE SPECIFICATIONS

Resolution/Ranges	1°C/°F -4 to 788°F (-20 to 420°C)
Accuracy	±2% of reading (-20~100°C) or ±2°C whichever is greater. 101~420°C ±3% of reading or ±3°C whichever is greater.
Accuracy notes	1. Accuracy specified is for temperature. 2. Accuracy specified is for emissivity of 0.95.
Emissivity settings	0.95 fixed
Distance Factor	D/S = Approx. 8:1 (D = distance, S = Spot)

### 3. NON-CONTACT IR MEASUREMENT OPERATION

#### a. Power ON/OFF

The meter automatically powers when the Measure key is pressed. Press the Measure key to take a reading. Read the measured temperature on the LCD. The meter powers OFF automatically approximately 5 seconds after the Measure key is released.

#### b. Selecting Temperature units (C/F)

Select temperature units (degrees C or F) by first pressing the Measure key and then pressing the C/F key. The units will blink on the LCD. Press the C/F key until the desired units are shown on the LCD.

#### c. Data Hold

This meter automatically holds the last temperature reading on the LCD for five seconds after the Measure key is released. No extra key presses are necessary to freeze the displayed reading.

#### d. Backlight LCD

Select backlight by first pressing the Measure key and then pressing the BACKLIGHT key. Repeat the procedure to turn the backlight OFF

#### e. Laser Pointer

To turn the laser pointer ON, press the LASER key while pressing the Measure key. Repeat the procedure to turn the laser OFF. While the laser is on, you can switch between laser dot and circle by moving a lever in front of the optics. Laser dot is an indication of the center of the field of view. Laser circle is an indication of the perimeter of the field of view.

#### f. Measurement Considerations

Holding the meter by its handle, point the IR Sensor toward the object whose temperature is to be measured. The meter automatically compensates for temperature deviations from ambient temperature. Keep in mind that it will take up to 30 minutes to adjust to wide ambient temperature changes. When low temperatures are to be measured followed by high temperature measurements, some time (several minutes) is required after the low (and before the high) temperature measurements are made. This is a result of the cooling process which must take place for the I R sensor

#### 4. BATTERY REPLACEMENT

A flashing display is the indication that the battery voltage has fallen into the critical region (6.5 to 7.5 V). Reliable readings can be obtained for several hours after the first appearance of the low battery indication. Open the Battery Compartment and remove the battery then install a new battery and replace the cover.

<b>OMEGAnet® Online Service</b> www.omega.com	<b>Internet e-mail</b> info@omega.com
--	--

**Servicing North America:**

**USA:** One Omega Drive, Box 4047  
Stamford CT 06907-0047  
Tel: (203) 359-1660  
e-mail: info@omega.com

FAX: (203) 359-7700

**Canada:** 976 Bergar  
Laval (Quebec) H7L 5A1  
Tel: (514) 856-6928  
e-mail: info@omega.ca

FAX: (514) 856-6886

**For immediate technical or application assistance:**

**USA and Canada:** Sales Service: 1-800-826-6342 / 1-800-TC-OMEGA®  
Customer Service: 1-800-622-2378 / 1-800-622-BEST®  
Engineering Service: 1-800-872-9436 / 1-800-USA-WHEN®  
TELEX: 996404 EASYLINK: 62968934 CABLE: OMEGA

**Mexico:** En Español: (001) 203-359-7803 e-mail: espanol@omega.com  
FAX: (001) 203-359-7807 info@omega.com.mx

**Servicing Europe:**

**Benelux:** Postbus 8034, 1180 LA Amstelveen, The Netherlands  
Tel: +31 (0)20 3472121 FAX: +31 (0)20 6434643  
Toll Free in Benelux: 0800 0993344  
e-mail: nl@omega.com

**Czech Republic:** Rudé armády 1868, 733 01 Karviná 8  
Tel: +420 (0)69 6311899 FAX: +420 (0)69 6311114  
Toll Free: 0800-1-66342 e-mail: czech@omega.com

**France:** 9, rue Denis Papin, 78190 Trappes  
Tel: +33 (0)130 621 400 FAX: +33 (0)130 699 120  
Toll Free in France: 0800-4-06342  
e-mail: france@omega.com

**Germany/Austria:** Daimlerstrasse 26, D-75392 Deckenpfronn, Germany  
Tel: +49 (0)7059 9398-0 FAX: +49 (0)7056 9398-29  
Toll Free in Germany: 0800 639 7678  
e-mail: germany@omega.com

**United Kingdom:** One Omega Drive, River Bend Technology Centre  
ISO 9002 Certified Northbank, Irlam, Manchester  
M44 5EX United Kingdom  
Tel: +44 (0)161 777 6611 FAX: +44 (0)161 777 6622  
Toll Free in United Kingdom: 0800-488-488  
e-mail: sales@omega.co.uk

It is the policy of OMEGA to comply with all worldwide safety and EMC/EMI regulations that apply. OMEGA is constantly pursuing certification of its products to the European New Approach Directives. OMEGA will add the CE mark to every appropriate device upon certification. The information contained in this document is believed to be correct, but OMEGA Engineering, Inc. accepts no liability for any errors it contains, and reserves the right to alter specifications without notice. **WARNING:** These products are not designed for use in, and should not be used for, patient-connected applications.

**WARRANTY/DISCLAIMER**

OMEGA ENGINEERING, INC. warrants this unit to be free of defects in materials and workmanship for a period of **13 months** from date of purchase. OMEGA's WARRANTY adds an additional one (1) month grace period to the normal **one (1) year product warranty** to cover handling and shipping time. This ensures that OMEGA's customers receive maximum coverage on each product.

If the unit malfunctions, it must be returned to the factory for evaluation. OMEGA's Customer Service Department will issue an Authorized Return (AR) number immediately upon phone or written request. Upon examination by OMEGA, if the unit is found to be defective, it will be repaired or replaced at no charge. OMEGA's WARRANTY does not apply to defects resulting from any action of the purchaser, including but not limited to mishandling, improper interfacing, operation outside of design limits, improper repair, or unauthorized modification. This WARRANTY is VOID if the unit shows evidence of having been tampered with or shows evidence of having been damaged as a result of excessive corrosion; or current, heat, moisture or vibration; improper specification; misapplication; misuse or other operating conditions outside of OMEGA's control. Components which wear are not warranted, including but not limited to contact points, fuses, and triacs.

**OMEGA is pleased to offer suggestions on the use of its various products. However, OMEGA neither assumes responsibility for any omissions or errors nor assumes liability for any damages that result from the use of its products in accordance with information provided by OMEGA, either verbal or written. OMEGA warrants only that the parts manufactured by it will be as specified and free of defects. OMEGA MAKES NO OTHER WARRANTIES OR REPRESENTATIONS OF ANY KIND WHATSOEVER, EXPRESS OR IMPLIED, EXCEPT THAT OF TITLE, AND ALL IMPLIED WARRANTIES INCLUDING ANY WARRANTY OF MERCHANTABILITY AND FITNESS FOR A PARTICULAR PURPOSE ARE HEREBY DISCLAIMED. LIMITATION OF LIABILITY: The remedies of purchaser set forth herein are exclusive, and the total liability of OMEGA with respect to this order, whether based on contract, warranty, negligence, indemnification, strict liability or otherwise, shall not exceed the purchase price of the component upon which liability is based. In no event shall OMEGA be liable for consequential, incidental or special damages.**

**CONDITIONS:** Equipment sold by OMEGA is not intended to be used, nor shall it be used: (1) as a "Basic Component" under 10 CFR 21 (NRC), used in or with any nuclear installation or activity; or (2) in medical applications or used on humans. Should any Product(s) be used in or with any nuclear installation or activity, medical application, used on humans, or misused in any way, OMEGA assumes no responsibility as set forth in our basic WARRANTY/DISCLAIMER language, and, additionally, purchaser will indemnify OMEGA and hold OMEGA harmless from any liability or damage whatsoever arising out of the use of the Product(s) in such a manner.

**RETURN REQUESTS / INQUIRIES**

Direct all warranty and repair requests/inquiries to the OMEGA Customer Service Department. **BEFORE RETURNING ANY PRODUCT(S) TO OMEGA, PURCHASER MUST OBTAIN AN AUTHORIZED RETURN (AR) NUMBER FROM OMEGA'S CUSTOMER SERVICE DEPARTMENT (IN ORDER TO AVOID PROCESSING DELAYS).** The assigned AR number should then be marked on the outside of the return package and on any correspondence.

The purchaser is responsible for shipping charges, freight, insurance and proper packaging to prevent breakage in transit.

FOR **WARRANTY** RETURNS, please have the following information available BEFORE contacting OMEGA:

1. Purchase Order number under which the product was PURCHASED,
2. Model and serial number of the product under warranty, and
3. Repair instructions and/or specific problems relative to the product.

FOR **NON-WARRANTY** REPAIRS, consult OMEGA for current repair charges. Have the following information available BEFORE contacting OMEGA:

1. Purchase Order number to cover the COST of the repair,
2. Model and serial number of the product, and
3. Repair instructions and/or specific problems relative to the product.

**PATENT NOTICE:** U.S. PAT. B1 5,368,392; 5,524,984; 5,727,880, 5,465,838; 5,823,678; 5,823,679, Other U.S. and Foreign Patents Pending.

OMEGA's policy is to make running changes, not model changes, whenever an improvement is possible. This affords our customers the latest in technology and engineering.

OMEGA is a registered trademark of OMEGA ENGINEERING, INC.

© Copyright 2000 OMEGA ENGINEERING, INC. All rights reserved. This document may not be copied, photocopied, reproduced, translated, or reduced to any electronic medium or machine-readable form, in whole or in part, without the prior written consent of OMEGA ENGINEERING, INC.

## Free Manuals Download Website

<http://myh66.com>

<http://usermanuals.us>

<http://www.somanuals.com>

<http://www.4manuals.cc>

<http://www.manual-lib.com>

<http://www.404manual.com>

<http://www.luxmanual.com>

<http://aubethermostatmanual.com>

Golf course search by state

<http://golfingnear.com>

Email search by domain

<http://emailbydomain.com>

Auto manuals search

<http://auto.somanuals.com>

TV manuals search

<http://tv.somanuals.com>