

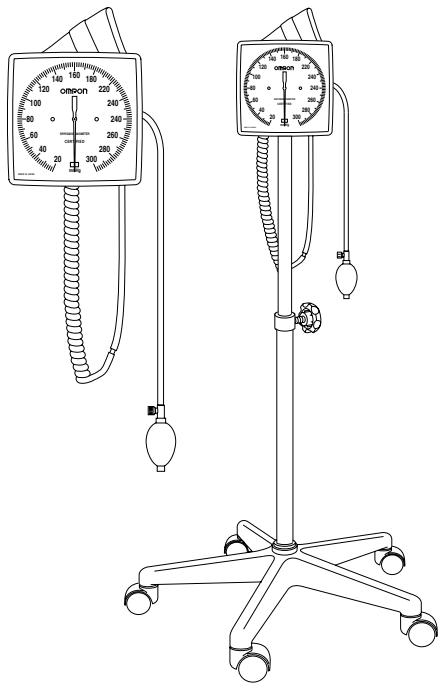
OMRON®

INSTRUCTION MANUAL

LARGE FACE SPHYGMOMANOMETER

Models 11-675D and 11-675DNL

11-685 and 11-685NL



COMPONENTS

Models:

11-675D	Square Face, Wall Mount
11-675DNL	Square Face, Wall Mount, LATEX-FREE
11-685	Square Face, Floor Stand
11-685NL	Square Face, Floor Stand, LATEX-FREE

Omron Clock Aneroid (all models):

- (1) Omron Clock Aneroid (see Models for type)
- (1) Adult, Nylon Cuff, blue (model #21-071)
- (1) Adult, Two-Tube Bladder (model #21-081 Latex, #21-081NL Latex-Free)
- (1) Inflation Bulb with Deluxe Air Release Valve (model #21-141 Latex, #21-125NL Latex-Free, #21-131 Valve)
- (1) Coiled Tube, 2.4meter (8ft.) length (model #21-321 Latex, #21-321NL Latex-Free)
- (1) Set of metal luer connectors (model #21-331S)
- (1) Calibration tool

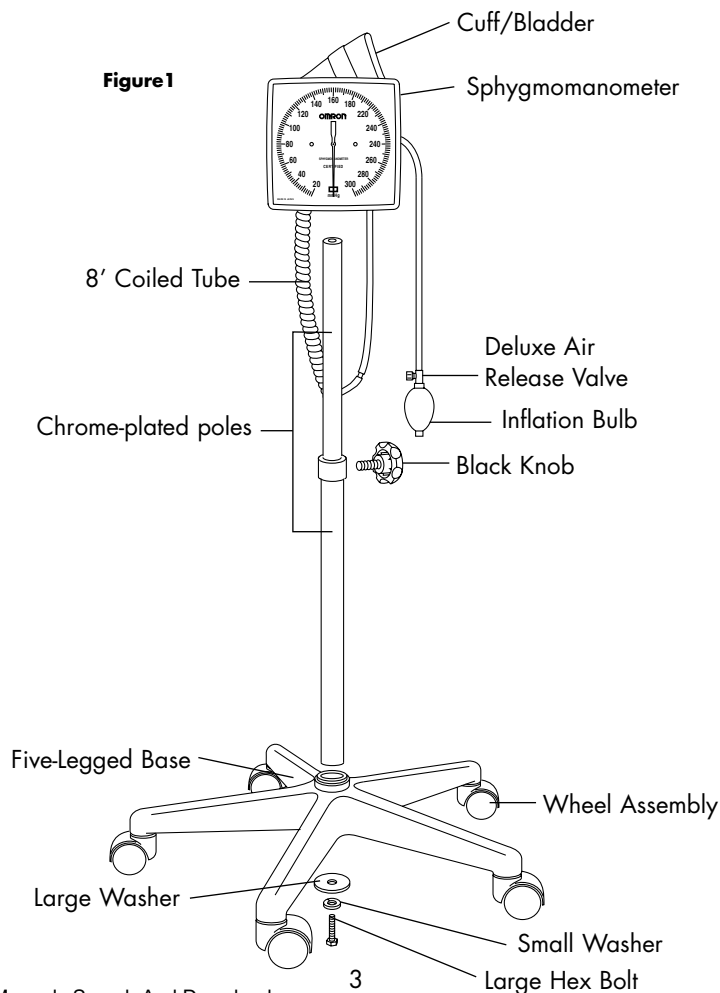
Wall-Mount Kit (for models 11-675D and 11-675DNL):

- (1) Wall-Mount Bracket
- (1) Wall-Mount Plate
- (4) Metal Wall Anchors
- (4) Metal Screws

Floor Stand Kit (for models 11-685 and 11-685NL)

- (1) Five-legged base
- (5) Wheel assemblies
- (2) Chrome-plated poles
- (1) Black Knob
- (1) Large Washer
- (1) Large Hex Bolt
- (1) Small Washer
- (1) Round-head bolt (spare)

ASSEMBLY INSTRUCTIONS



ASSEMBLY INSTRUCTIONS

Omron Clock Aneroid (all models):

1. Attach one end of the coiled tube (the end without the metal connector) to the connector on the underside of the Omron Aneroid (Figure 2).
2. Attach the other end of the coiled tube (the end with the metal connector) to the tube from the cuff and bladder (the tube without the bulb assembly).
3. The cuff and bladder assembly can be stored in the basket on the back of the aneroid. Once mounted to the wall or affixed to a floor stand, the Omron Aneroid is ready for use.

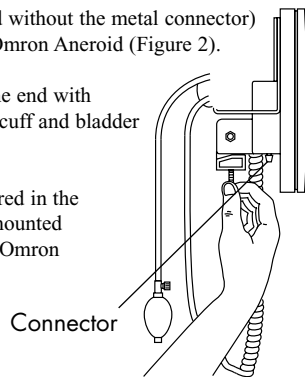
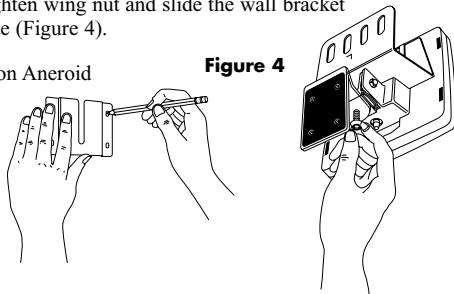


Figure 2

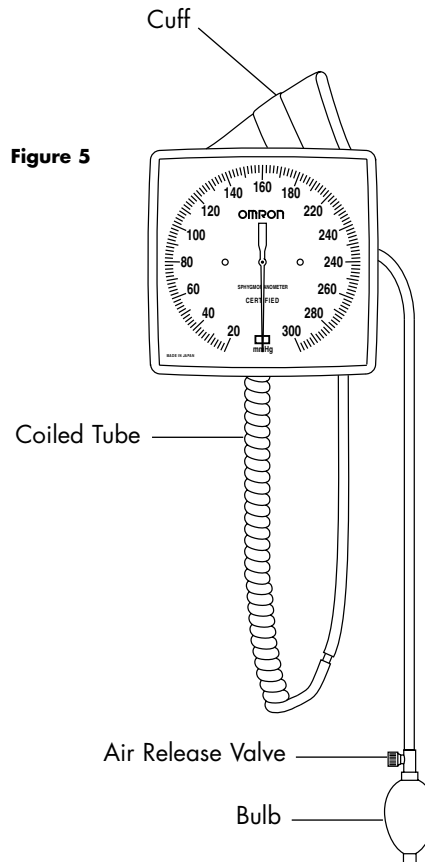
Wall-Mount (for models 11-675D and 11-675DNL):

1. Hold wall-mount plate against the wall at the desired location and mark the position of the mounting holes for drilling. Drill four (4) holes and insert the metal wall anchors. Attach the wall-mount plate to the wall by using the four metal (4) screws (Figure 3).
2. Loosen wing nut on the bottom of the Aneroid and adjust the unit to the desired angle. Tighten wing nut and slide the wall bracket into the wall-mount plate (Figure 4).
3. The wall-mounted Omron Aneroid is now ready for use.



4

ASSEMBLY INSTRUCTIONS



5

ASSEMBLY INSTRUCTIONS

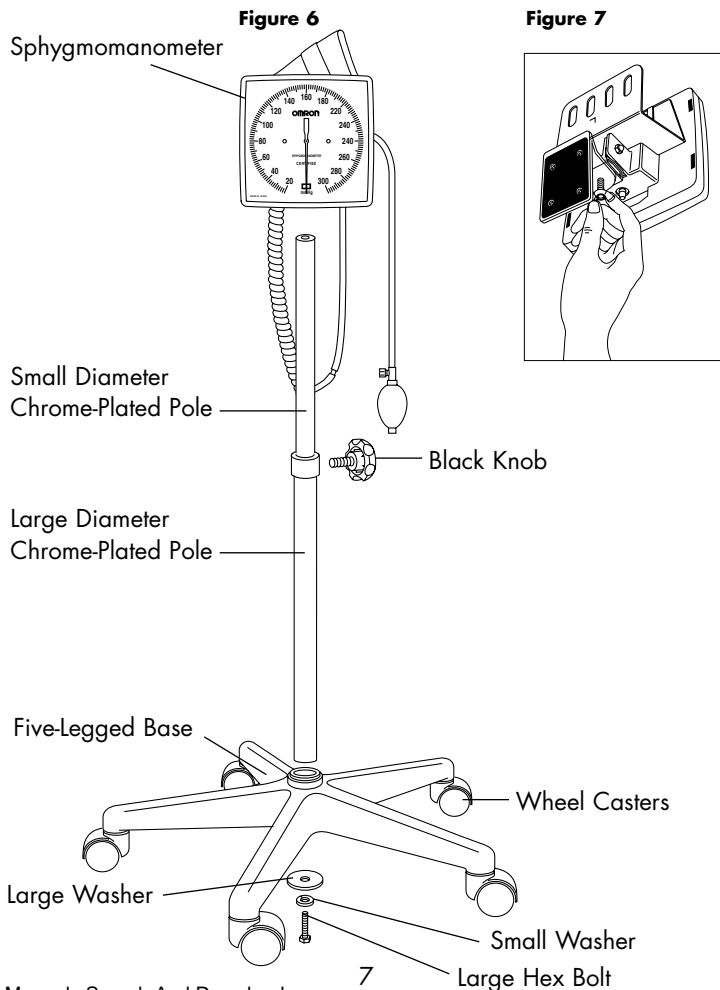
Floor Stand Kit (for models 11-685 and 11-685NL)

1. Insert each of the five (5) wheel casters into each of the five (5) legs of the five-legged base (Figure 6).
2. Insert the larger diameter chrome plated pole into the top of the five-legged base.
3. Insert the large hex-bolt, the large washer, and one small washer from the bottom center of the five-legged base into the bottom center of the larger diameter chrome plated pole. Securely tighten the hex bolt.
4. Insert the smaller diameter chrome plated pole into the top of the larger diameter pole. Insert the black knob into the top of the larger diameter pole. Set the smaller diameter pole to the desired height and tighten the black knob.
5. The floor stand is now complete. To attach the Omron Aneroid to the floor stand, begin by removing the wing nut connecting the aneroid to the wall-mount bracket (Figure 7).
6. Insert the small hex nut from the Omron Aneroid and one small washer from the top of the hole where the wing nut was removed.
7. While holding the aneroid and small hex nut assembly in one hand, insert the small hex nut into the top of the smaller diameter chrome plated pole. Turn the pole counter-clockwise to attach both assemblies. Securely tighten the assembly.
8. The floor-mounted Omron Aneroid is now ready for use.

On-Site Calibration:

1. Remove the coiled tube from the connector on the underside of the aneroid.
2. Insert the calibration tool (or small flat-head screw driver) into the connector (from where the coiled tube was removed).
3. Turn the calibration tool until the needle on the front of the gauge is centered at the bottom of the gauge.

ASSEMBLY INSTRUCTIONS



OMRON HEALTHCARE, INC.

300 Lakeview Parkway

Vernon Hills, Illinois 60061

Telephone: 1-847-680-6200

Toll Free Order Number: 1-800-634-4350

www.omronhealthcare.com

Copyright © 2002 OMRON HEALTHCARE, INC

Printed in Japan

Download from Www.Somanuals.com. All Manuals Search And Download.

11-675685INST

Free Manuals Download Website

<http://myh66.com>

<http://usermanuals.us>

<http://www.somanuals.com>

<http://www.4manuals.cc>

<http://www.manual-lib.com>

<http://www.404manual.com>

<http://www.luxmanual.com>

<http://aubethermostatmanual.com>

Golf course search by state

<http://golfingnear.com>

Email search by domain

<http://emailbydomain.com>

Auto manuals search

<http://auto.somanuals.com>

TV manuals search

<http://tv.somanuals.com>