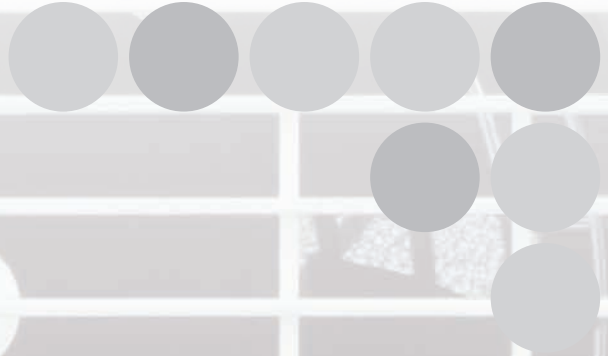


NEW

**Ionizer
Basic Fan Type
ZJ-FA20**

OMRON



*High-speed, High cost performance
Ionization*

FAN SPEED
ADJ

OMRON ZJ-FA20 IONIZER



realizing

Meet the Industry Standard

As electronic components become increasingly smaller and denser, production lines are having to attach much greater importance to the control of problems related to static electricity, such as the adhesion of foreign matter and damage due to electrostatic discharge.

OMRON offers a high-performance, reliable, and reasonably priced ionization solution to all users fighting this invisible war against static electricity.



in Fan Ionizers

High-speed Ionization

A Unique Structure Provides a Uniform Airflow

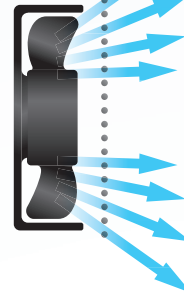
The newly developed airflow control system (AFCS) structure optimally controls the airflow of the fan to efficiently carry the discharged ions to the target workpiece. This gives the ZJ-FA20 the highest ionization performance in its class.

Even with the airflow at a low setting, ionization is completed in approximately 2 seconds. Small, light workpieces are not blown away by the airflow, and static electricity is effectively neutralized.

Airflow Control System (AFCS)

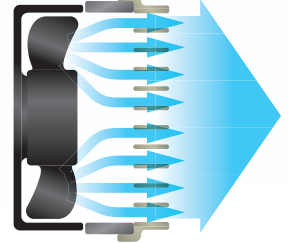


Conventional



The airflow is dispersed, lowering efficiency.

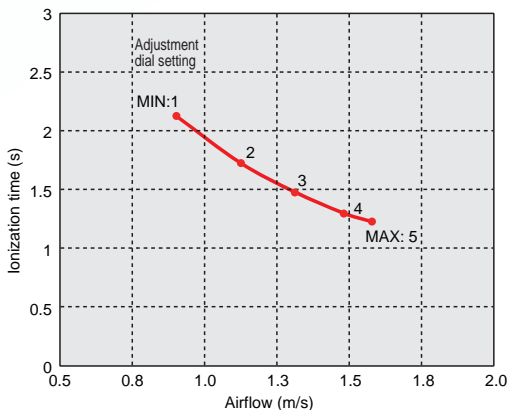
ZJ-FA20



The front louvers and internal structure keep the airflow uniform.

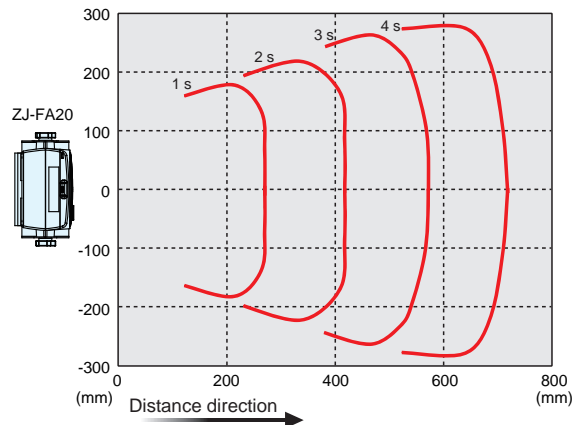
Engineering Data

Airflow vs. Ionization Time



Measurement Conditions
Installation distance: 300 mm
Ionization time: $\pm 1,000$ V to ± 100 V
Plate monitor: 150 X 150 mm, 20 pF

Ionization Area vs. Ionization Time

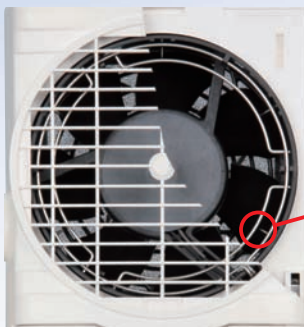


Measurement Conditions
Airflow: Max.
Ionization time: $\pm 1,000$ V to ± 100 V
Plate monitor: 150 X 150 mm, 20 pF

ed in Fan Ionizers

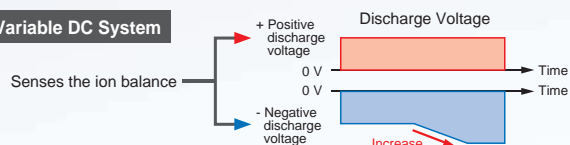
More Versatile Use

Long-term Ionization Performance



A built-in ion balance sensor constantly senses the ion condition, and a variable DC system maintains the optimal ion balance at all times. This provides a long-term, stable balance for reliable ionization.

Variable DC System



The ion balance is sensed and the voltage applied to the discharger electrodes is varied to adjust the ion output.

Clean and Easy Maintenance

The ZJ-FA20 features a fully opening front cover. Removing it allows neat and thorough cleaning, without spreading dust and other particles around. The discharger electrodes can also be replaced for long-term operation. LED lamps show the ion-generating condition and indicate when cleaning is required.



Cleaning the discharger electrodes



Replacing the discharger electrodes



Easy-to-see lamps

A Variety of Installation Possibilities

In addition to table-top or bench-top installation, the ZJ-FA20 can be easily mounted to an aluminum pipe. The angle can also be freely adjusted using the angle-adjustment knob and oblong stand.



Ordering Information

Ionizer

Model
ZJ-FA20

Accessories (sold separately)

	Model
Replacement Filter	ZJ9-FL120N1 (set of 10)
Replacement Discharger Electrode	ZJ9-NDT06FN1 (set of 6)

Ratings and Specifications

Ionizer

Item	Model	ZJ-FA20
Power supply voltage		24 VDC (See note 1.)
Current consumption		900 mA max. (input from included AC adapter)
Discharge voltage		± 7 kV
Discharge method		Variable DC
Airflow (m ³ /min.)		1.4 to 2.3 m ³ /min (typical)
Ionization time (See note 2.)		1.2 s (0.8 s with no Filter)
Ion balance (See note 2.)		± 10 V max.
Amount of generated ozone		0.01 ppm max. (measured at a distance of 50 mm from air outlet)
Indicators		High-voltage output lamp: ION (yellow), Cleaning lamp: CLEANING (orange), Power lamp: POWER (green)
Main functions		Automatic ion balance adjustment, airflow adjustment, manual ion balance adjustment
Ambient temperature range		Operating and storage: 0 to 50°C (with no icing or condensation)
Ambient humidity range		Operating: 35% to 65%, storage: 35% to 85% (with no condensation)
Weight (packed state)		Approx. 2.0 kg
Materials		Unit: ABS, Discharger: Tungsten, stand: SPCC
Accessories		Instruction sheet, AC adapter, warning labels (2 types), FG connection cable (2 m)

AC Adapter (Provided: UIA336-24-JR01A-998 by UNIFIVE CO., LTD.)

Item	
Input voltage	100 to 240 VAC, 50/60 Hz
Power consumption	AC240V: 115VA MAX 240 VAC: 115 VA max.
Output voltage	24 VDC
Output current	1.5 A max.
Ambient temperature range	0 to 40°C
Ambient humidity range	35% to 85% (with no condensation)
Weight	Approx. 175 g (excluding power cable)
Dimensions	43.8 X 28 X 95.9 (W X D X H) mm

* If an additional AC adapter is required, please contact your OMRON sales representative

Note 1: Be sure to use the included AC adapter for ionizer operation.

Note 2: Typical default settings.

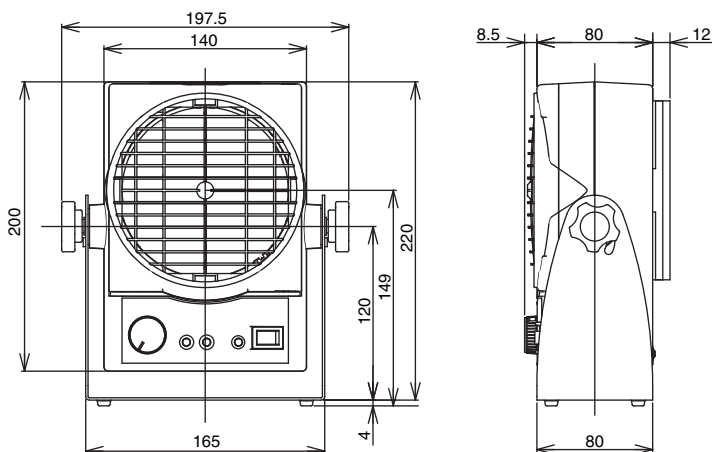
Measurement location and conditions: Center of air outlet at a distance of 300 mm, with maximum fan speed

Ionization time: The time required to lower the charge from $\pm 1,000$ V to ± 100 V

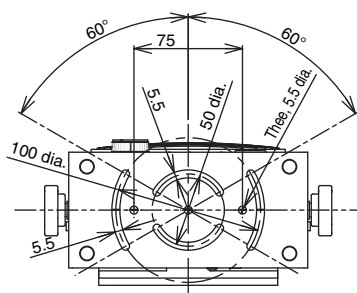
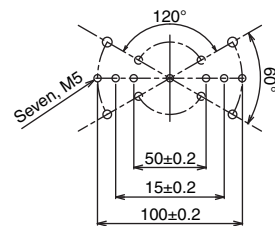
Ion balance measurement time: 10 s

Dimensions

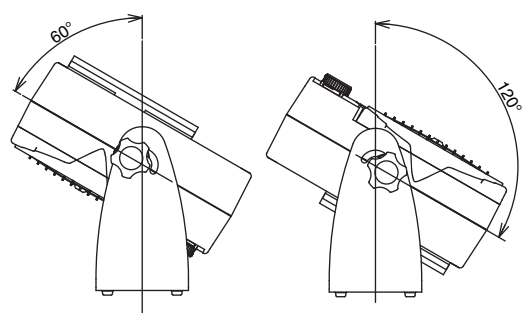
(Unit: mm)



Mounting Hole Dimensions



Rotation Range



This document provides information mainly for selecting suitable models. Please read the Instruction Sheet carefully for information that the user must understand and accept before purchase, including information on warranty, limitations of liability, and precautions.

OMRON Corporation
Industrial Automation Company
Sensing Devices Division H.Q.
Application Sensors Division

Shiokoji Horikawa, Shimogyo-ku,
Kyoto, 600-8530 Japan
Tel: (81) 75-344-7068/Fax: (81) 75-344-7107

Regional Headquarters

OMRON EUROPE B.V.

Sensor Business Unit
Carl-Benz-Str. 4, D-71154 Nufringen,
Germany
Tel: (49) 7032-811-0/Fax: (49) 7032-811-199

OMRON ELECTRONICS LLC

One Commerce Drive Schaumburg,
IL 60173-5302 U.S.A.
Tel: (1) 847-843-7900/Fax: (1) 847-843-7787

OMRON ASIA PACIFIC PTE. LTD.

No. 438A Alexandra Road # 05-05/08 (Lobby 2),
Alexandra Technopark, Singapore 119967
Tel: (65) 6835-3011/Fax: (65) 6835-2711

OMRON (CHINA) CO., LTD.

Room 2211, Bank of China Tower,
200 Yin Cheng Zhong Road,
PuDong New Area, Shanghai, 200120, China
Tel: (86) 21-5037-2222/Fax: (86) 21-5037-2200

Authorized Distributor:

© OMRON Corporation 2008 All Rights Reserved.
In the interest of product improvement,
specifications are subject to change without notice.

CSM_1_1_0409
Cat. No. E391-E1-01

Printed in Japan
0508-0.1M (0508)(C)

OMRON Industrial Automation Global: www.ia.omron.com

Free Manuals Download Website

<http://myh66.com>

<http://usermanuals.us>

<http://www.somanuals.com>

<http://www.4manuals.cc>

<http://www.manual-lib.com>

<http://www.404manual.com>

<http://www.luxmanual.com>

<http://aubethermostatmanual.com>

Golf course search by state

<http://golfingnear.com>

Email search by domain

<http://emailbydomain.com>

Auto manuals search

<http://auto.somanuals.com>

TV manuals search

<http://tv.somanuals.com>