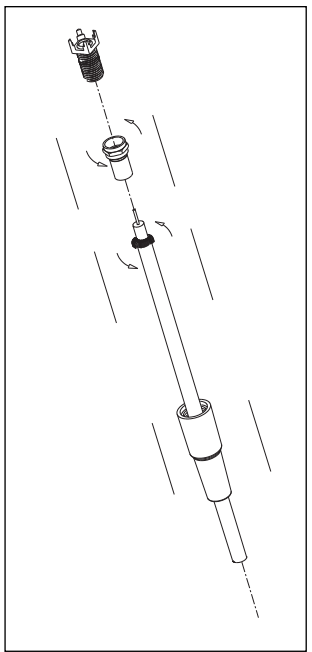
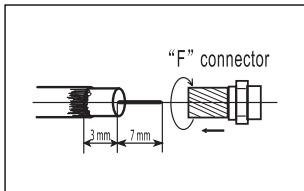
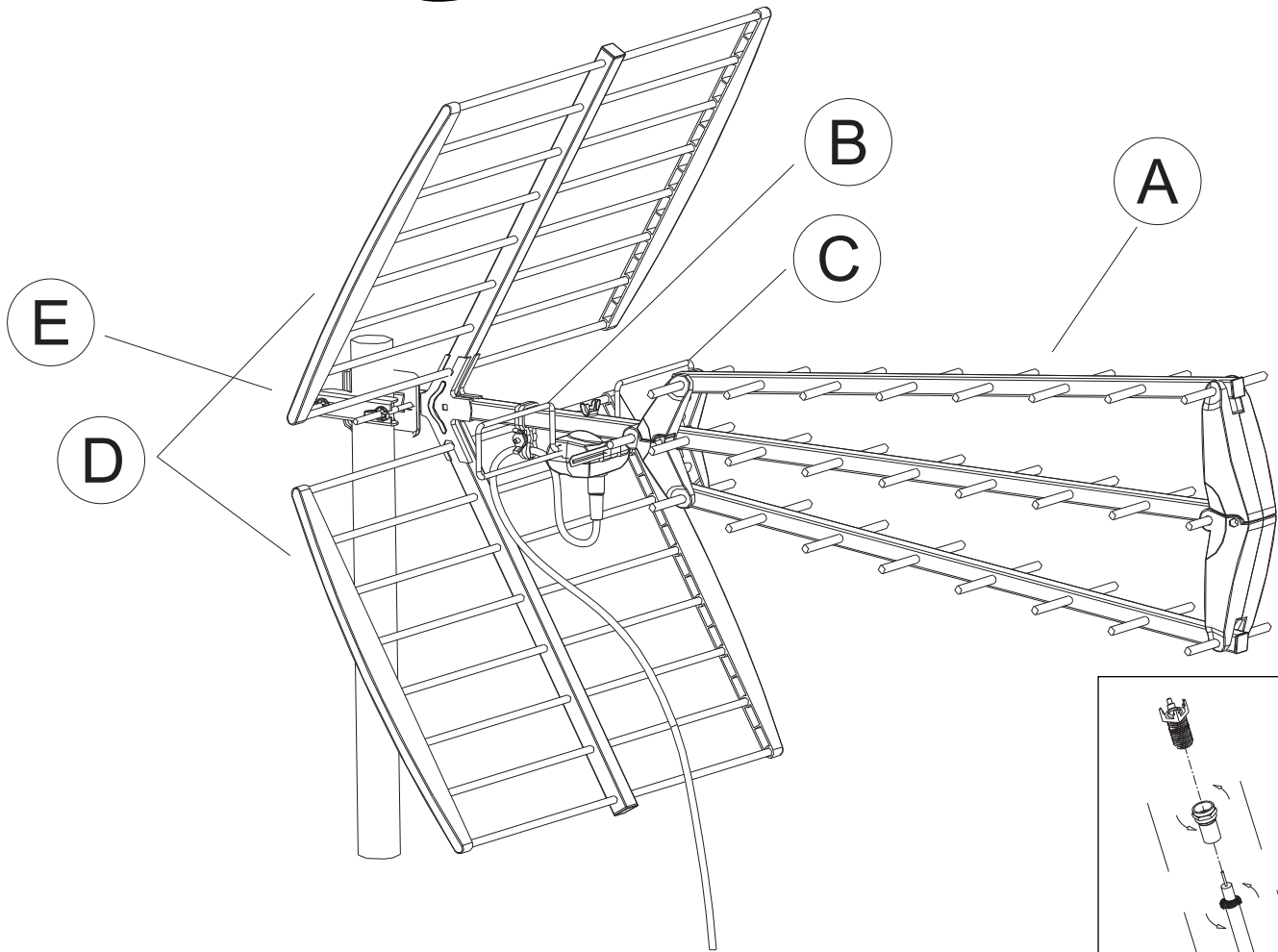




- English** Instruction Manual
- Deutsch** Bedienungsanleitung
- Français** Mode d'emploi
- Español** Guía del usuario
- Português** Manual de instruções
- Italiano** Istruzioni per l'uso
- Nederlands** Gebruiksaanwijzing
- Dansk** Brugsanvisning
- Norsk** Bruksanvisning
- Sverige** Bruksanvisning
- Suomi** Käyttöohje
- Ελληνικά** Οδηγίες χρήσεως
- Русский** Инструкция пользователя
- Türkçe** Kullanım kılavuzu
- Polski** Instrukcja obsługi
- Česky** Návod k použití
- Magyar** Használati útmutató

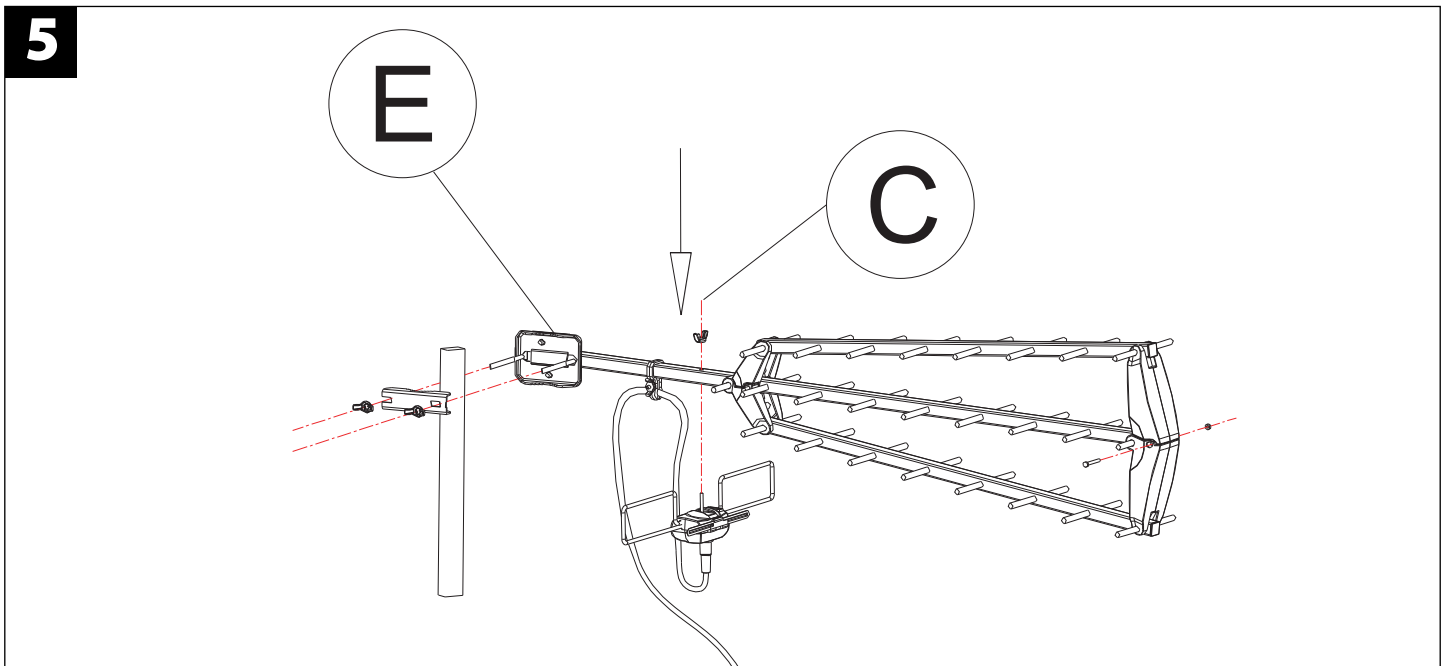
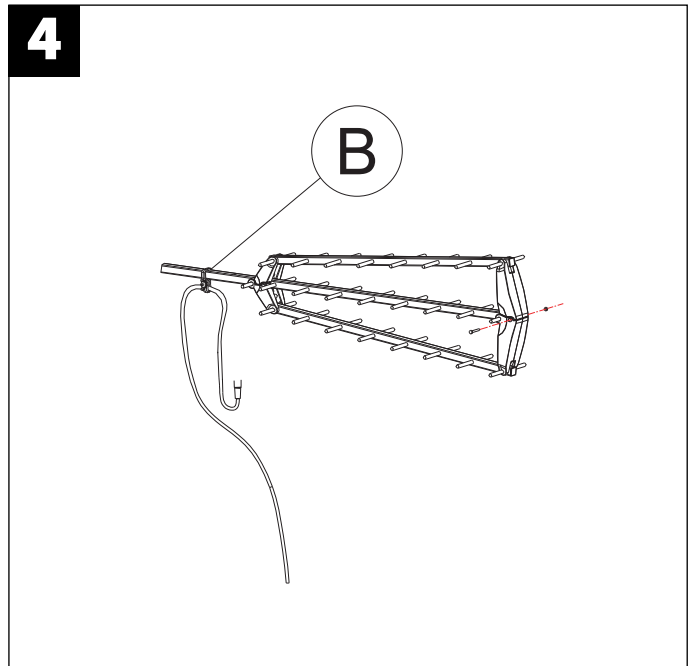
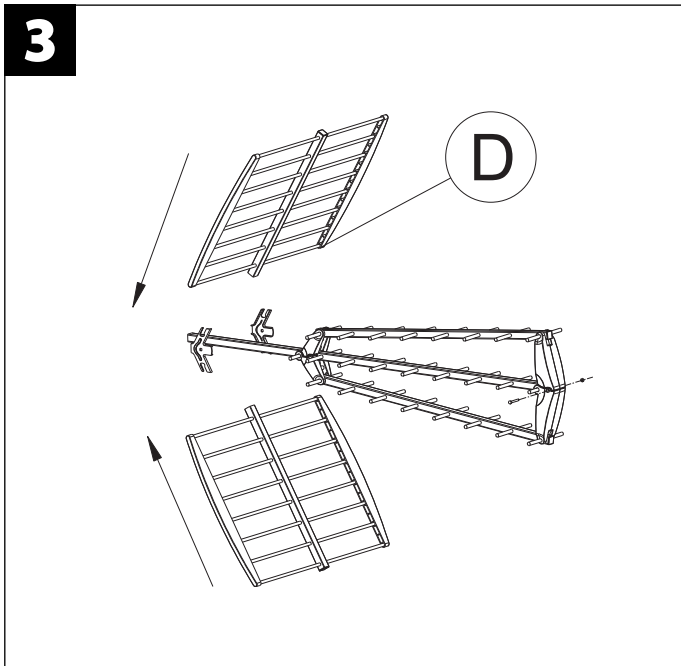
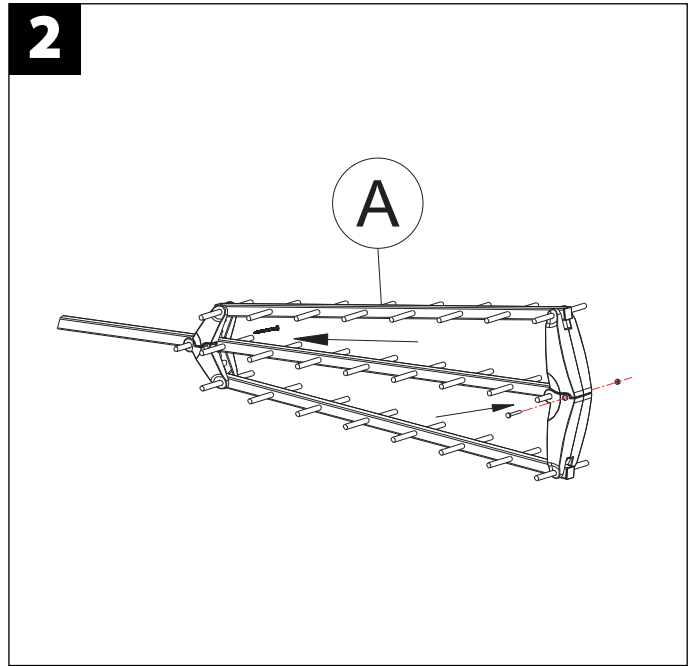
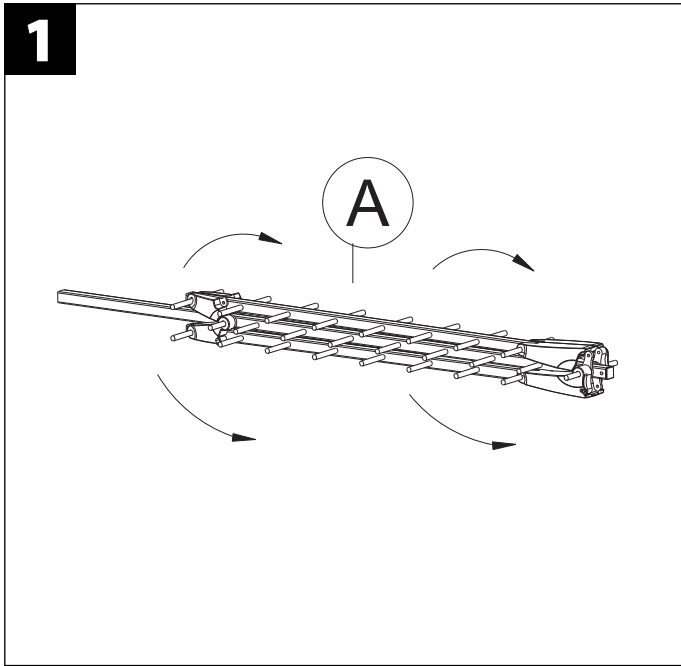


SV-9355

Frequency	Channel	Imped	No. of elements	Gain	Front-back ratio	Beam width Honz/vertical	Length
470~862 MHz	21-69	75Ω	43	9.5-15 dB	28dB	H32° - V35°	960mm

Universal Electronics BV
 Europe & International
 P.O. Box 3332
 7500 DH, Enschede
 The Netherlands

SV-9355
 706219
 RDN 1180108



Free Manuals Download Website

<http://myh66.com>

<http://usermanuals.us>

<http://www.somanuals.com>

<http://www.4manuals.cc>

<http://www.manual-lib.com>

<http://www.404manual.com>

<http://www.luxmanual.com>

<http://aubethermostatmanual.com>

Golf course search by state

<http://golfingnear.com>

Email search by domain

<http://emailbydomain.com>

Auto manuals search

<http://auto.somanuals.com>

TV manuals search

<http://tv.somanuals.com>