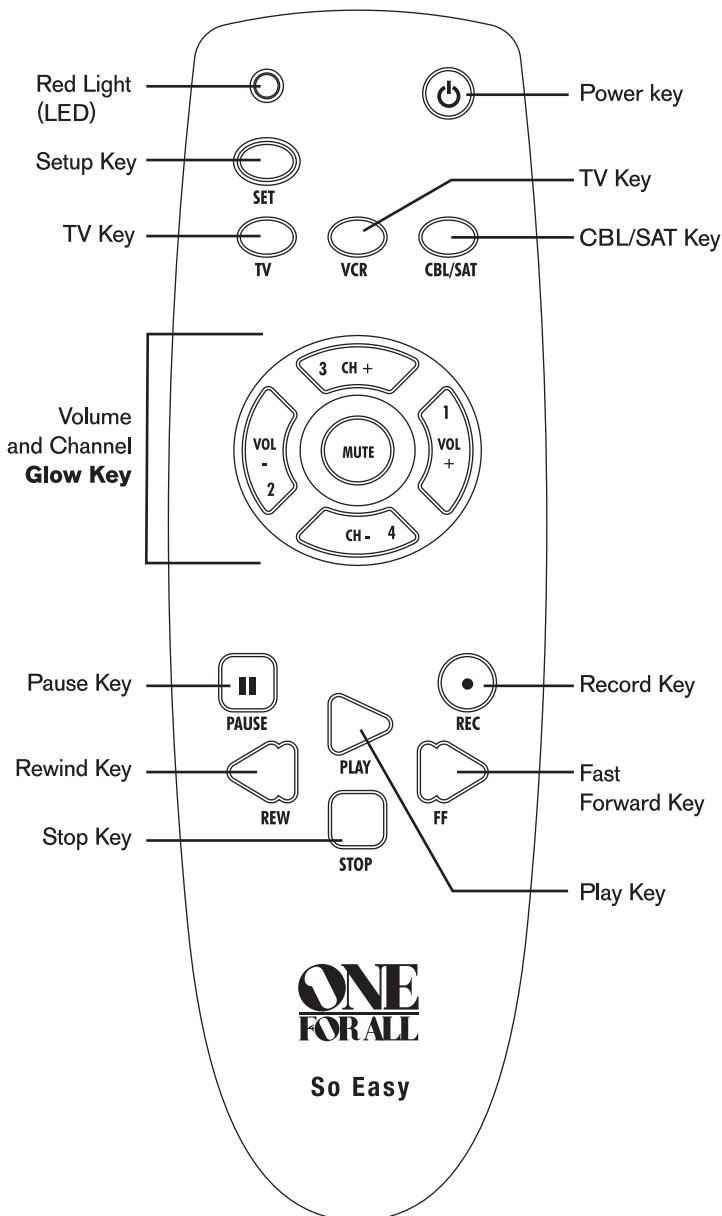




# URC 3050 So Easy 3

## Features and Functions

The illustration below and chart on the next page describe the features and functions of the *One For All® So Easy 3 Device* universal remote control.



### Feature

### Function

RED Light (LED)

The LED flashes red to show that the remote is working.



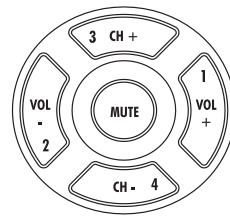
The TV, VCR and CBL keys are used to select the home entertainment device you want to control.



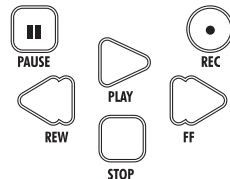
The POWER key operates the same as on your original remote.



The SETUP key is used to set up your devices.



The **Glow Keys**: VOL (Volume), CH (Channel), and M (Mute) operate the same as on your original remote. To activate the "Glow" Feature, you must expose the **Glow Keys** to bright light. The length of time the **Glow Keys** remain illuminated will be determined by the length of time the remote is exposed to bright light. These keys are also used to enter set-up codes for your devices.



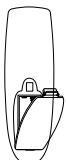
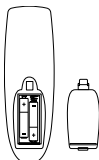


The REW (Rewind), FF (Fast Forward), STOP, PLAY, PAUSE and REC (Record) keys control the same functions as those found on your VCR remote.

Thank you for purchasing the *One For All® So Easy 3 Device* universal remote. Before you can use your new remote, you will need to program it. To do this, you need to tell the remote what equipment you wish to operate. This is done by following these three easy steps.

- Step 1: Install two (2) new AAA alkaline batteries.
- Step 2: Look up the code for your TV, VCR or Cable Box.
- Step 3: Enter the code.

## Step 1: Installing the Batteries

Your *One For All® So Easy 3 Device* needs two (2) **new** AAA alkaline batteries. To install the batteries:

- 1  On the back of the *One For All® So Easy 3 Device*, push down on the tab and lift the cover off.
- 2  Match the batteries to the + and - marks inside the battery case, then insert the batteries.
- 3  Press the battery cover back into place.
- 4  Test the unit by pressing POWER. The red light (LED) should blink once.

**Note:** Removing the batteries for more than 30 minutes will require you to reprogram the remote control.

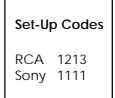
## Step 2: Looking Up Your Electronic Device Code

- 1 Look at your Electronic Device to find out the brand name and write it in the space below:

TV \_\_\_\_\_

VCR \_\_\_\_\_

Cable \_\_\_\_\_


- 2  Find your Device brand in the listing on the reverse side of these instructions. The most popular codes are listed first. Write your codes here:

1st TV code	<input type="text"/>	<input type="text"/>	<input type="text"/>	<input type="text"/>
2nd TV code	<input type="text"/>	<input type="text"/>	<input type="text"/>	<input type="text"/>
3rd TV code	<input type="text"/>	<input type="text"/>	<input type="text"/>	<input type="text"/>
1st VCR code	<input type="text"/>	<input type="text"/>	<input type="text"/>	<input type="text"/>
2nd VCR code	<input type="text"/>	<input type="text"/>	<input type="text"/>	<input type="text"/>
3rd VCR code	<input type="text"/>	<input type="text"/>	<input type="text"/>	<input type="text"/>
1st Cable code	<input type="text"/>	<input type="text"/>	<input type="text"/>	<input type="text"/>
2nd Cable code	<input type="text"/>	<input type="text"/>	<input type="text"/>	<input type="text"/>
3rd Cable Code	<input type="text"/>	<input type="text"/>	<input type="text"/>	<input type="text"/>


You will need one of these codes to program your *One For All® So Easy 3 Device* remote.

## Step 3: Setting Up Your Devices

- 1 Turn on your TV, VCR or Cable Box, depending on the device you are programming.

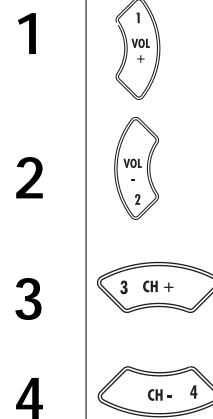
- 2  Press TV\* and release. Press and hold **SETUP** until the *One For All® So Easy 3 Device's* red light blinks twice. Release **SETUP**.


\* **Note:** When setting up your VCR and/or Cable Box, substitute the appropriate device key (VCR or CBL).


- 3  Using the example shown on the right, enter the first four-digit code you wrote down for the device you are setting up. (See "Looking Up Your Electronic Device Code".) If you put in the code correctly, the red light will blink twice.


How to Enter Codes

If your TV Press code is:



- 4  **TV Set Up**  
Aim the *One For All® So Easy3 Device* at your TV and press POWER. Your TV should turn off. If it doesn't, repeat Steps 2-4, trying each code listed for your brand until you find the one that operates your TV.

-  **VCR Set Up**  
Aim the *One For All® So Easy3 Device* at your VCR and press POWER. Your VCR should turn off. If it doesn't, repeat Steps 2-4, trying each code listed for your brand until you find the one that operates your VCR. If your original VCR remote did not have a POWER key, put a tape in your VCR and press PLAY on the *One For All® So Easy3 Device*.

-  **Cable Set Up**  
Aim the *One For All® So Easy 3 Device* at your Cable Box and press POWER. Your Cable Box should turn off. If it doesn't, repeat Steps 2-4, trying each code listed for your brand until you find the one that operates your Cable Box. If your original Cable Box remote did not have a "ON" key, Use CH + on the *One For All® So Easy 3 Device* to turn your Cable Box on.

## Troubleshooting













If you cannot get the *One For All® So Easy 3 Device* to operate your equipment or perform commands properly:

- Try all of the codes listed for your TV, VCR or Cable Box in the Set-Up Codes section to the right. Many set-up codes may allow partial functionality, however, only one code will operate your device correctly.
- Make sure you are within 15 feet of your equipment when using your remote control.
- If the red light on the remote control does not blink when you press a key, replace the batteries with two (2) new AAA alkaline batteries. Be sure you match the batteries to the plus (+) and minus (-) marks inside the battery case.
- No volume when in the Cable mode or when operating a second TV or TV/VCR combination? Press and hold SETUP until the red light blinks twice, then release SETUP. Press CH- + CH- + VOL- then press VOL+.
- As a safety feature on the *One For All® So Easy 3 Device*, you must press the REC key twice.
- World Wide Web: <http://www.oneforall.com>

## Re-Assigning Device Keys

You can use the *One For All® So Easy 3 Device* to operate a second TV or a second VCR. To do so, you must re-assign one of the device keys (TV, VCR, or CBL) to operate your second TV or VCR. The chart below shows you how to re-assign the device keys.

**\* Please note: Here you must press and hold SETUP until the *One For All® So Easy 3 Device's* red light blinks twice.**

To Change	Press
 to 	SETUP* + CH- + CH- +VOL+ + VCR + TV + TV + SETUP* + VCR code.
 to 	SETUP* + CH- + CH- +VOL+ + CBL + TV + TV + SETUP* + Cable Box code.
 to 	SETUP* + CH- + CH- +VOL+ + TV + VCR + VCR + SETUP* + TV code.
 to 	SETUP* + CH- + CH- +VOL+ + CBL + VCR + VCR + SETUP* + Cable Box code.
 to 	SETUP* + CH- + CH- +VOL+ + TV + CBL + CBL + SETUP* + TV code.
 to 	SETUP* + CH- + CH- +VOL+ + VCR + CBL + CBL + SETUP* + VCR code.

## Set-Up Codes for TVs

A-Mark	1112
Abex	1143
Accuscan	1213
Admiral	1244, 1334
Adventura	1212
Aiko	1243
Akai	1142, 1231
Alleron	1412, 1421
Ambassador	1344
Americana	1232, 1322
Anam	1233, 1413
Anam National	1224
AOC	1112, 1123, 1142, 1422, 1221
Archer	1112
Audiovox	1413, 1112
Bay Crest	1123, 1334
Belcor	1123
Beaumarck	1121
Bell & Howell	1324, 1114, 1244
Bench Mark	1232, 1123, 1413, 1114
Bradford	1413
Brockwood	1123
Broksonic	1112, 1432, 2112
Candle	1142, 1231, 1423, 1212
Capehart	1221
Carver	1223
CCE	1431
Celebrity	1111
Citizen	1243, 1232, 1231, 1142, 1441, 1423, 1211, 1212
Clairtone	1422
Colortyme	1223, 1232, 1411
Concerto	1231
Conic	1143
Contec	1413, 1422, 1332
Craig	1413
Crosley	1223
Crown	1413, 1211
Curtis Mathes	1342, 1232, 1142, 1444, 1211
CXC	1413
Daewoo	1243, 2111, 1123, 1211
Daytron	1123, 1231
Dumont	1123, 1211
Electroband	1111, 1422
Electrohome	1443, 1322
Emerson	1432, 2112, 1413, 1412, 1344, 1411, 1441, 1442, 1123, 1211, 1422, 1414, 1144, 1332, 1324
Encor	1143
Envision	1142
Fisher	1324, 1333
Fujitsu	1412
Funai	1342, 1412, 1413
Futuretech	1413
GE	1213, 1214, 1224, 2111, 1131, 1133, 1442, 1312, 1411, 1141, 1343
Gibraltar	1142, 1123, 1121
Goldstar	1231, 1142, 1123, 1411, 1143, 2113, 2114
Granada	1313, 1323
Grundy	1412, 1413
Grunpy	1412, 1413
Hallmark	1411
Harley Davidson	1411, 1111, 1413, 1223
Harman/Kardon	1234
Harvard	1413, 1233
Heathkit	1114, 1121, 1243
Hitachi	1313, 1323, 1231, 1144, 1143
Ima	1413
Infinity	1223
Janeil	1212
JBL	1223
JCB	1111
JVC	1222, 1414, 2121, 2122
Kamp	1332
Kawasho	1332
Kaypani	1221
Kenwood	1142, 1123
KLH	1233, 1413
Kloss Novabeam	1234, 1132
Kloss	1234, 1132, 1212
KMC	1143
KTV	1142, 1413, 1422, 1441, 1211, 1421, 1431
Lloyds	1432, 1413, 1412
Logik	1114
Luxman	1231
LXI	1324, 1223, 1213, 1411, 1331
Magnasonic	1412, 1142
Magnavox	1223, 1311, 1423, 1424, 1142
Majestic	1114
Marantz	1223, 1142
Matsui	1431
Megatron	1411, 1112, 1313
MEI	1422
Memorex	1322, 1324, 1231, 1114, 1411, 1433
MGA	1322, 1142, 1411
Midland	1213, 1121, 1214, 1312, 1211, 1143
Minutz	1131, 1133
Mitsubishi	1322, 1123, 1411, 1244, 2123
Motorola	1244, 1224
MTC	1422, 1232, 1231, 1142, 1123

Multitech	1413, 1431
NAD	1341, 1331, 1411
NEC	1142, 1231, 1123
Nikko	1243, 1411
NTC	1243
Okron	1123
Onwa	1413
Optimus	1341, 1324, 1433
Optonica	1244, 1334
Orion	1432, 2112
Oritron	1413, 1112
Panasonic	1433, 1214, 1224, 1223
PCE	1331, 1232
Penney	1213, 1232, 1214, 1142, 1123, 1122, 1412, 1131, 1133, 1312, 1331, 1321, 1112, 1211, 1143, 1433, 2114
Performance	1111
Philco	1223, 1311, 1142, 1123
Philips	1223, 1311
Pilot	1142, 1123, 1211
Pioneer	1341, 1144
Portland	1243, 1123, 1211
Priceclub	1232
Prism	1214
Proscan	1213
Proton	1221, 1411, 1112
Pulsar	1121
Pulser	1123
Quasar	1433, 1214, 1224
RadioShack	1334, 1413, 1123, 1211, 1143
RCA	1213, 1122, 1123, 1141, 1312, 1434, 1343, 1242
Realistic	1324, 1334, 1231, 1142, 1123, 1413, 1411, 1211, 1143
Rhapsody	1422, 1421
Runco	1142, 1121
Sampo	1221, 1211, 1143
Samsung	1232, 1231, 1142, 1123, 1411, 1143
Samsux	1211
Sanky	1142, 1232, 1211
Sansui	1142, 1232, 1334
Sanyo	1324, 1333, 1314
Scimitsu	1123
Scotch	1411
Scott	1432, 1123, 1413, 1411
Sears	1213, 1324, 1342, 1223, 1231, 1331, 1333, 1411, 1412, 1321, 1314
Sharp	1244, 1334, 1211
Shogun	1123
Signature	2000 1114, 1244
Signature	1114, 1244
Simpson	1423, 1424
Sony	1111, 1113, 1241
Soundesign	1413, 1423, 1411, 1412
Spectricon	1112
Squareview	1342
SSS	1123, 1413
Starlite	1413
Supre-Macy	1212
Supreme	1111
Sylvania	1223, 1311, 1142
Symphonic	1342
Tandy	1244, 1334
Tatung	1224, 1112
Technics	1433, 1214
Technol Ace	1412
Techwood	1214, 1231, 1112
Teknika	1243, 1223, 1322, 1123, 1114, 1232, 1413, 1231, 1423, 1412, 1211
Thomas	1231, 1411
TMK	1231, 1344, 1411
Toshiba	1331, 1232, 1321
Tosonic	1422
Totevision	1211
Truetone	1433, 1214, 1224
Universal	1131, 1133
Vector Research	1142
Victor	1222
Vidikron	1223
Vidtech	1123, 1411
Viking	1212
Wards	1223, 1334, 1311, 1114, 1231, 1142, 1123, 1141, 1411, 1131, 1133, 1124, 1412, 1134, 1343, 1241
Wellton	1411, 1123
XR1000	1432, 1413, 1342
Yamaha	1142, 1123
York	1142
Zenith	1121, 1243, 1114
Zonda	1112

## Set-Up Codes for VCRs

Adventura	1111
Aiko	1413
Aiwa	1111
Akai	1141, 1214, 1313, 1224
American High	1124
Asha	1411
Astra	1124, 1411, 1111
Audiovox	1131
Avis	1241, 1111
Beaumarck	1411
Bell & Howell	1311
Broksonic	1311, 1413, 1341, 1314, 1422, 1424

Calix 1311  
 Canon 1124  
 Calin 1131, 1132  
 Candle 1131, 1413  
 Capehart 1114  
 Carver 1243  
 CCE 1413, 1241  
 Citizen 1131, 1413  
 Colt 1241  
 Colortime 1124, 1223, 1413  
 Craig 1411, 1241, 1131, 1212, 1412  
 Crosley 1124, 1243  
 Curtis Mathes 1124, 1223, 1332, 1141  
 Cybernex 1411  
 Daewoo 1413, 1114, 1144  
 Daytron 1114  
 Dynatech 1111  
 Electrohome 1131  
 Electrophonic 1131  
 Emerex 1121, 1122, 1123  
 Emerson 1331, 1431, 1413, 1421, 1112, 1341, 1314, 1131, 1111, 1342, 1234, 1422, 1424, 1224, 1143, 1333, 1334, 1244  
 Fisher 1311, 1212, 1221, 1232  
 Fuji 1124, 1122  
 Funai 1111, 1423  
 GAB 1241  
 Garrard 1111, 1423  
 GE 1223, 1332, 1124  
 Go Video 1344, 1414, 1411  
 Goldstar 1131, 1132  
 Gradiente 1111  
 Harley Davidson 1111  
 Harman/Kardon 1132  
 Harvard 1241, 1234  
 Harwood 1241, 1234  
 Headquarter 1211  
 Hi-Q 1212  
 Hi Point 1331, 1342, 1314  
 Hitachi 1142, 1111, 1312, 1323, 1141  
 Jensen 1141, 1233  
 JVC 1113, 1233, 1141  
 KEC 1413, 1131  
 Kenwood 1233, 1113, 1141, 1132  
 KLH 1241  
 Kodak 1124, 1131  
 Lloyd 1111, 1333  
 Logik 1241  
 LXI 1131  
 Magnasonic 1411, 1131, 1413  
 Magnavox 1124, 1243, 1133, 1321  
 Magnin 1411  
 Marantz 1124, 1243  
 Marta 1131  
 Matsushita 1124  
 MEI 1124  
 Memorex 1111, 1124, 1311, 1411, 1131, 1213, 1212, 1133, 1211, 1322  
 MGA 1143, 1244  
 MGN Technology 1411  
 Minolta 1142, 1312  
 Mitsubishi 1143, 1324, 1224, 1233, 1113  
 Motorola 1124, 1213  
 Movie Walker 1241  
 MTC 1111, 1411  
 Multitech 1111, 1241  
 NAD 1222  
 NEC 1132, 1311, 1134, 1141, 1233, 1113  
 Nikko 1131  
 Noblex 1411  
 Olympus 1124  
 Optimus 1213, 1131, 1222, 1311, 1322  
 Optonica 1231  
 Orion 1331, 1431, 1413, 1422  
 Panasonic 1322, 1124, 1343, 1242  
 Penney 1124, 1411, 1131, 1142, 1323, 1132, 1134, 1221, 1322  
 Pentax 1142, 1312  
 Philco 1124  
 Philips 1124, 1243  
 Pilot 1131  
 Pioneer 1222, 1233, 1113  
 Portland 1114  
 Protec 1241  
 Proton 1231  
 Pulsar 1133  
 Quarter 1211  
 Quartz 1211  
 Quasar 1322, 1124, 1242  
 RadioShack 1111, 1131, 1423  
 Randex 1131  
 RCA 1223, 1332, 1142, 1312, 1321, 1242, 1313  
 Realistic 1111, 1411, 1124, 1131, 1213, 1311, 1212, 1211, 1232, 1231  
 Ricoh 1123, 1122, 1121  
 Runco 1133  
 Samsung 1411, 1144, 1214  
 Sanky 1213, 1133  
 Sansui 1141, 1233, 1113  
 Sanyo 1311, 1341, 1342, 1314, 1143, 1144  
 Scott 1331, 1341, 1342, 1314, 1143, 1144  
 Sears 1311, 1131, 1124, 1142, 1312, 1212, 1211, 1221, 1232, 1111  
 Sharp 1213, 1231  
 Shintom 1241  
 Shogun 1411  
 Singer 1241  
 Signature 1124, 1131  
 Sony 1121, 1122, 1123, 1124

Soundesign 1111  
 STS 1142, 1312  
 Sylvania 1124, 1243, 1143  
 Symphonic 1111, 1423  
 Tatum 1141  
 TEAC 1111, 1141  
 Technics 1322, 1124  
 Teknika 1111, 1124, 1131  
 TMK 1411, 1333  
 Toshiba 1143, 1144, 1232, 1342  
 Totevision 1411, 1131  
 Unitech 1411  
 Vector 1144  
 Vector Research 1132, 1134  
 Victor 1141, 1233  
 Vicoe Concepts 1144, 1134, 1224  
 Videosonic 1411  
 Wards 1111, 1124, 1142, 1312, 1411, 1212, 1213, 1223, 1332, 1241, 1342, 1321, 1231  
 XR 1000 1111, 1241, 1124  
 Yamaha 1132  
 Zenith 1133, 1122, 1123, 1121

## Set-Up Codes for Cable Boxes

ABC 1112, 1114, 1122, 1123, 1131, 1133, 1134, 1142  
 American 1233  
 Antronix 1212, 1312  
 Arbatron 1114, 1134, 1131, 1322  
 Archer 1212, 1244, 1312  
 Belcor 1232  
 Cable Star 1232  
 Cabletenna 1212  
 Cableview 1212  
 Century 1244  
 Citizen 1244  
 Colour Voice 1221, 1222  
 Comtronics Eagle 1224, 1233  
 Contec 1143  
 Dae Ryung Eagle 1123  
 Eastern 1113  
 Everquest 1141  
 Focus 1341  
 Garrard 1244  
 GC Electronics 1232, 1312  
 Gemini 1141, 1241  
 General Instruments 1322, 1131, 1114  
 Goldstar 1243, 1224  
 Hamlin 1124, 1144, 1223, 1314, 1321  
 Hitachi 1131  
 Hytex 1122  
 Jasco 1244, 1334  
 Jerrold 1114, 1322, 1134, 1131, 1141, 1132, 1214  
 Memorex 1111  
 Movie Time 1234, 1311  
 Novaplex 1342  
 NSC 1234, 1311, 1241  
 Oak 1122, 1143  
 Omega 1141  
 Panasonic 1211, 1242, 1111  
 Paragon 1111  
 Philips 1244, 1221, 1222  
 Pioneer 1332, 1243, 1213  
 Popular Mechanics 1341  
 Prism 1132, 1133  
 Pulsar 1111  
 Quest 1243, 1144  
 RCA 1211  
 Realistic 1312  
 Recoton 1341  
 Regal 1314, 1144, 1321  
 Regency 1113  
 Rembrandt 1131, 1241  
 Runco 1111  
 Samsung 1243, 1224  
 Scientific Atlanta 1123, 1323, 1142, 1121  
 Seam 1324  
 Sigma 1143  
 Signal 1141, 1224  
 Signature 1131  
 SL Marx 1224  
 Sprucer 1211  
 Starcom 1114, 1141  
 Stargate 1141, 1224  
 Starquest 1141  
 Sylvania 1112  
 Tandy 1313  
 Teleview 1224  
 Texscan 1112  
 Tocom 1132, 1133  
 Toshiba 1111  
 Tusa 1141  
 TV86 1234  
 Unika 1244, 1312, 1212  
 United Artists 1122  
 United Cable 1114  
 Universal 1244, 1312, 1212, 1232  
 U.S. Electronics 1114, 1322, 1323, 1142, 1123  
 Viewstar 1234, 1233, 1313  
 Videoway 1333, 1111  
 Zenith 1111, 1331, 1231  
 Zentek 1341

## ONE FOR ALL® PRODUCTS Limited Warranty

One For All ("OFA") warrants, to the original purchaser only, that this product will be free from defects in materials and workmanship, under normal use, for ninety (90) days from the date of original purchase.

This warranty does not cover damage or failures caused by products or services not supplied by OFA, or which result from accident, misuse, abuse, neglect, mishandling, misapplication, faulty installation, set-up adjustment, improper maintenance, alteration, maladjustment of consumer controls, modifications, commercial use, or that is attributable to acts of God.

There are no express warranties except as listed above. OFA SHALL NOT BE LIABLE FOR INCIDENTAL OR CONSEQUENTIAL DAMAGES RESULTING FROM THE USE OF THIS PRODUCT OR ARISING OUT OF ANY BREACH OF WARRANTY. ALL EXPRESS AND IMPLIED WARRANTIES, INCLUDING THE WARRANTIES OF MERCHANTABILITY AND FITNESS FOR A PARTICULAR PURPOSE, ARE LIMITED TO THE WARRANTY PERIOD SET FORTH ABOVE. Some states do not allow the exclusion or limitation of incidental or consequential damages, or limitations on how long an implied warranty lasts, so the above exclusions or limitations may not apply to you. This warranty gives you specific legal rights and you may also have other rights which vary from state to state.

To obtain warranty service for a defective product during the warranty period, please return the product, preferably in the original carton, along with your purchase receipt, to the store of original purchase. A note detailing the complaint would be helpful. The store, at its option, will replace or repair this product if found to be defective.

One For All  
 (330)-405-8655  
 www.allforone.com

As you add new components to your home entertainment system, One For All® has a remote control that will fit your needs. Look for these exciting products at a retailer near you.

ONE FOR ALL® is the registered trademark of Universal Electronics Inc. Computime International Ltd. is the Licensee of the ONE FOR ALL® brand for USA and Canada.

Copyright 1996 by Universal Electronics Inc. No part of this publication may be reproduced, transmitted, transcribed, stored in any retrieval system, or translated to any language, in any form or by any means, electronic, mechanical, magnetic, optical, manual, or otherwise, without the prior written permission of Universal Electronics Inc.

One For All® is designed for compatibility in North America excluding Mexico.

URC-3050 So Easy 3

12/00

## Free Manuals Download Website

<http://myh66.com>

<http://usermanuals.us>

<http://www.somanuals.com>

<http://www.4manuals.cc>

<http://www.manual-lib.com>

<http://www.404manual.com>

<http://www.luxmanual.com>

<http://aubethermostatmanual.com>

Golf course search by state

<http://golfingnear.com>

Email search by domain

<http://emailbydomain.com>

Auto manuals search

<http://auto.somanuals.com>

TV manuals search

<http://tv.somanuals.com>