

ONKYO®

Speaker System

D-N3X

Instruction Manual

Thank you for purchasing the Onkyo Speaker System. Please read this manual thoroughly before using it. Following the instructions in this manual will enable you to obtain optimum performance and listening enjoyment from your new Speaker System. Please retain this manual for future reference.

Important Safeguards

1. **Read Instructions** – All the safety and operating instructions should be read before the appliance is operated.
2. **Retain Instructions** – The safety and operating instructions should be retained for future reference.
3. **Heed Warnings** – All warnings on the appliance and in the operating instructions should be adhered to.
4. **Follow Instructions** – All operating and use instructions should be followed.
5. **Cleaning** – The appliance should be cleaned only as recommended by the manufacturer.
6. **Attachments** – Do not use attachments not recommended by the appliance manufacturer as they may cause hazards.
7. **Water and Moisture** – Do not use the appliance near water –for example, near a bath tub, wash bowl, kitchen sink, or laundry tub; in a wet basement; or near a swimming pool; and the like.
8. **Accessories** – Do not place the appliance on an unstable cart, stand, tripod, bracket, or table. The appliance may fall, causing serious injury to a child or adult, and serious damage to the appliance. Use only with a cart, stand, tripod, bracket, or table recommended by the manufacturer, or sold with the appliance. Any mounting of the appliance should follow the manufacturer's instructions, and should use a mounting accessory recommended by the manufacturer.
9. An appliance and cart combination should be moved with care. Quick stops, excessive force, and uneven surfaces may cause the appliance and cart combination to overturn.

PORTABLE CART WARNING

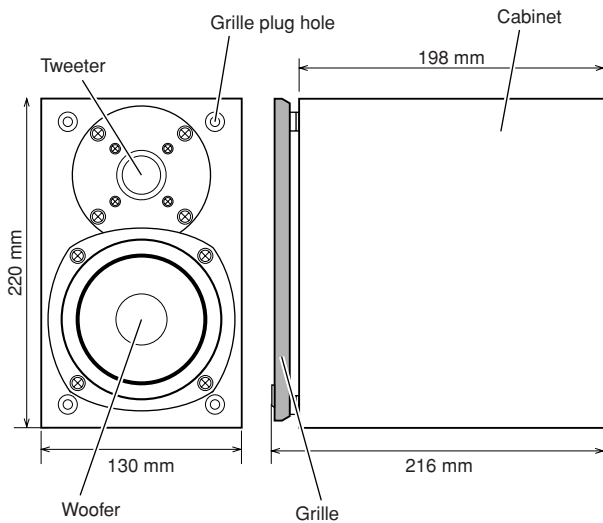


S3125A

Before using this unit

- The speaker cabinet is made of wood and is therefore sensitive to extreme temperatures and humidity. Avoid placing the speaker systems in locations subjected to direct sunlight, or in smoky or in humid places, such as near an air conditioner, humidifier, bathroom, or kitchen. Doing so may result in damage to the speaker.
- Place the unit on a rigid, level surface. Placing it on a slanted surface or weak base not only may cause the unit to fall, but also results in decreased sound quality.
- Keep water or other liquids away from the unit. If water is spilled into the unit, not only the unit but also the speakers themselves may be damaged.

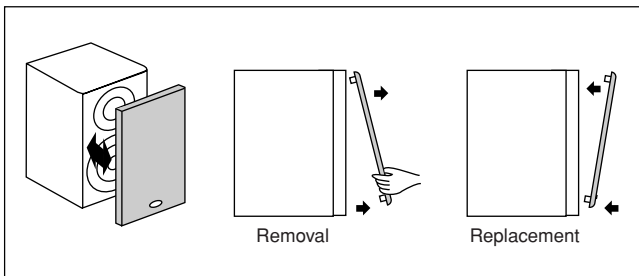
Name and function of each part



Attaching and detaching the speaker grilles

This speaker system uses detachable grilles. Use the following method to attach or detach the grilles.

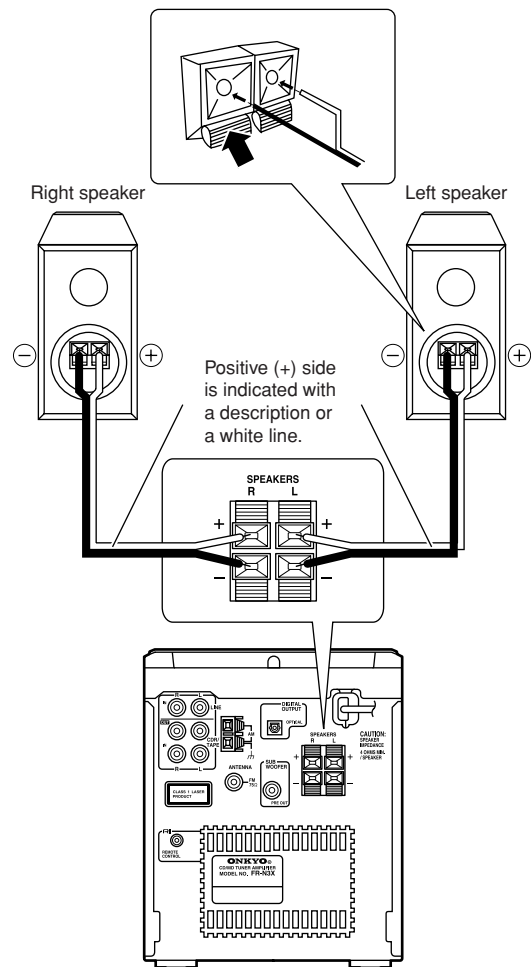
1. While holding the bottom edge of the speaker grille with your both hands, pull it gently toward you to remove the bottom of the grille.
2. In the same way, gently pull the upper edge of the speaker grille toward you to remove it from the main unit.
3. To attach the grill, push the projections at the four corners into the grille plug holes on the speaker cabinet.



Connection

- Turn the sound volume to the minimum and disconnect the power cord to the amplifier before connecting the speaker cables.
- The nominal impedance of this speaker system is 5 Ω. Use only amplifiers capable of handling this impedance.
- Use the speaker cables to connect between speaker's terminals and the amplifier's speaker terminals as illustrated below.
- Connect the terminals of the Right and Left speakers (when viewed from the front side) with the amplifier's right (R) and left (L) speaker terminals, respectively.

- Connect the speaker cables securely to the terminals, with the core wires twisted properly.
- Press the lever, securely insert the cable's core wires, and then release the lever. Pull lightly on the speaker cables to ensure that they are connected securely.



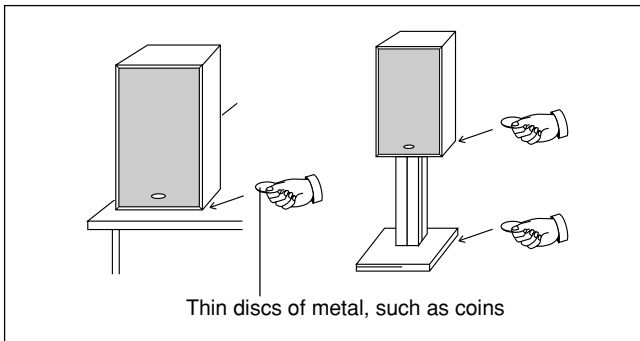
Before turning on the amplifier's power switch:

- Make sure that the positive (+) and negative (-) speaker cables do not contact each other. Otherwise, a short-circuit may occur, causing damage to the amplifier.
- Be sure to connect the speaker cables with correct polarity (connect the speaker's positive (+) and negative (-) terminals with the amplifier's corresponding speaker terminals). Reversed polarity results in impaired bass-range reproduction, causing mislocalization of the sound image. Also, be sure to connect the Right and Left speakers with the amplifier's corresponding speaker terminals.
- Pull lightly on the speaker cables to ensure that they are connected firmly.

Placement

The sound quality a speaker system reproduces varies greatly depending on the construction and area of the room where it is installed, as well as the location and size of the furniture. For better-quality sound, observe the following precautions.

- Placing the speaker system directly onto the floor surface results in undesirable boom, that is, sound with extremely heavy bass. Place each speaker on a speaker stand, concrete blocks, bricks or rigid bookshelf.
- High-quality bass sound cannot be obtained if the speakers are not seated stably on a speaker stand or other base. Insert thin discs of cork or metal (such as coins) to seat the speakers stably.



- If speakers are placed on a bookshelf etc., where a large area of the speaker surface makes contact with the supporting surface, reducing the contact area between the speakers and the bookshelf by inserting cork discs or coins generally improves the sound quality.
- To obtain a deeper bass sound, mount the speakers on lower speaker stands and place them in front of a wall with sufficient rigidity.
- In many rooms, the furniture and wall affect the reproduced sound quality. For stereo sound reproduction, placing the Right and Left speakers in the same condition produces the best results. If they are placed in extremely different conditions, the Right- and Left-channel balance will be adversely affected.
- The ideal placement of the speaker system is as follows: Imagine an equilateral triangle and position the Right and Left speakers on both ends of the base. The ideal listening position is at or slightly to the rear of the triangle apex.
- Glazed doors or surrounding walls in front of the speaker system may cause the resonance of specific frequency ranges due to reflected sound. To eliminate this resonance, place some sound-absorbing material such as a thick curtain in front of the doors or walls.

Use with a TV set or computer

In general, Braun tubes used for color television sets and computers are extremely sensitive and can be affected even by the magnetism of the earth. If a speaker system is used near them, therefore, discoloration or distortion of pictures will occur. To allow use with a color television set or computer, this speaker system is provided with magnetic shielding. Even so, discoloration may still result, depending on the installation environment. If discoloration occurs, turn off the power of the television set or computer, wait for 15 to 30 minutes and then turn it on again. This activates the self-demagnetizing function of the television set or computer, improving the display condition. If discoloration persists even after performing this remedy, move the speaker apart from the television set or computer. Discoloration may also be caused when a magnet or other magnetizing object exists near the television or computer because of the combined effect.

Precaution on use

- This speaker system can handle the specified input power when it is used for ordinary music reproduction. If the following abnormal signals are fed to the speaker, however, an overcurrent may flow in the internal circuits, causing burning or breakage of the wires even if the input power is below the specified rating.
 1. Noise produced when FM station is not tuned in
 2. Sound produced when fast-forwarding cassette tape deck
 3. High-frequency sound generated by an oscillator, an electronic musical instruments, etc.
 4. Oscillating amplifier signals
 5. Special test signals produced by audio checking CD, etc.
 6. Sound produced when connecting or disconnecting audio connection cables (Always turn off the amplifier's power before connecting or disconnecting cables.)
 7. Howling when a microphone is used
- Do not place magnetic objects such as screwdrivers and iron parts near the tweeter since they use speakers with strong magnets. Otherwise, the objects may be attracted, causing injury or damaging the diaphragm.

Speaker care

Wipe the cabinet occasionally with a dry silica or soft cloth. For heavier dirt, after dampening a soft cloth in a weak solution of mild detergent and water and wringing it out dry, wipe off the dirt. Then, dry immediately with a clean cloth. Do not use rough material, thinners, alcohol or other chemical solvents or cloths since these could damage the finish or cause discoloration. If you are using a chemical cloth, always follow the instructions that come with the cloth. For dust accumulated on grilles, use a vacuum cleaner or brush it off.

Specifications

Type:	2-way bass reflex
Impedance:	5 Ω
Maximum input power:	70 W
Output sound pressure level:	84 dB/W/m
Frequency response:	60 Hz- 35 kHz
Crossover frequency:	10 kHz
Cabinet capacity:	3.8 L
Speaker:	Woofer: 12-cm cone Tweeter: 2.5-cm dome
Dimensions:	130 (W) \times 220 (H) \times 216 (D) mm (5-1/8" \times 8-11/16" \times 8-1/2")
Weight:	2.9 kg (6.4 lbs)
Accessories:	Instruction manual (this manual) 1.8-m speaker cable \times 2
Others:	Magnetic shielding

* Specifications and appearance may subject to change for improvement without prior notice.

ONKYO CORPORATION

Sales & Product Planning Div. : 2-1, Nisshin-cho, Neyagawa-shi, OSAKA 572-8540, JAPAN
Tel: 072-831-8111 Fax: 072-833-5222

ONKYO U.S.A. CORPORATION

18 Park Way, Upper Saddle River, N.J. 07458, U.S.A.
Tel: 201-785-2600 Fax: 201-785-2650 <http://www.onkyousa.com>

ONKYO EUROPE ELECTRONICS GmbH

Industriestrasse 20, 82110 Germering, GERMANY
Tel: 089-849-320 Fax: 089-849-3265 E-mail: info@onkyo.de

ONKYO CHINA LIMITED

Units 2102-2107, Metroplaza Tower I, 223 Hing Fong Road, Kwai Chung,
N.T., HONG KONG Tel: 852-2429-3118 Fax: 852-2428-9039



Free Manuals Download Website

<http://myh66.com>

<http://usermanuals.us>

<http://www.somanuals.com>

<http://www.4manuals.cc>

<http://www.manual-lib.com>

<http://www.404manual.com>

<http://www.luxmanual.com>

<http://aubethermostatmanual.com>

Golf course search by state

<http://golfingnear.com>

Email search by domain

<http://emailbydomain.com>

Auto manuals search

<http://auto.somanuals.com>

TV manuals search

<http://tv.somanuals.com>