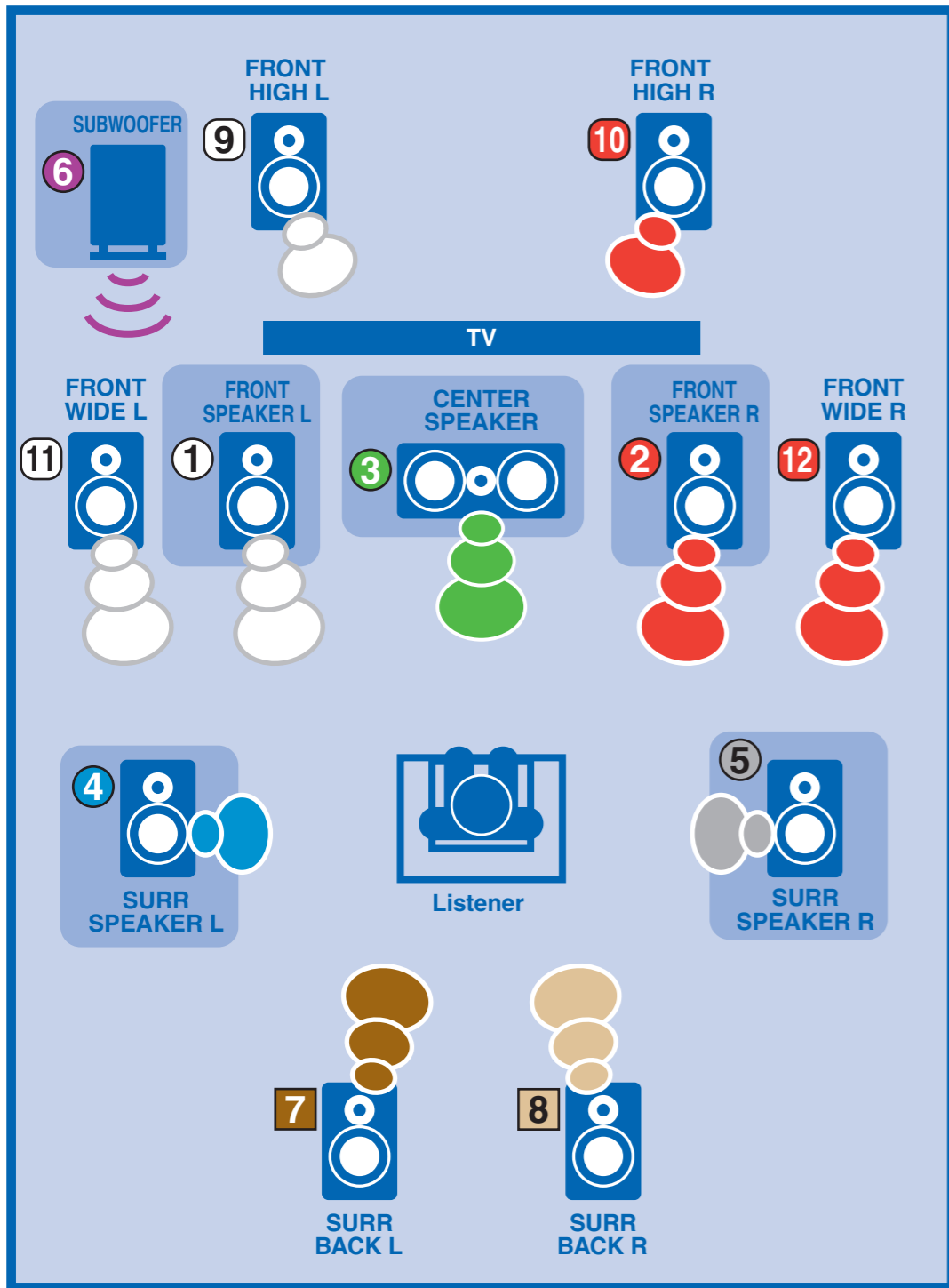


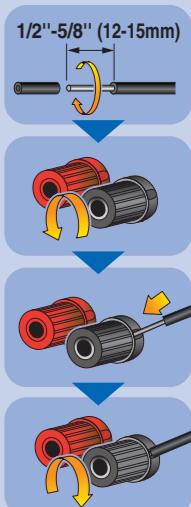
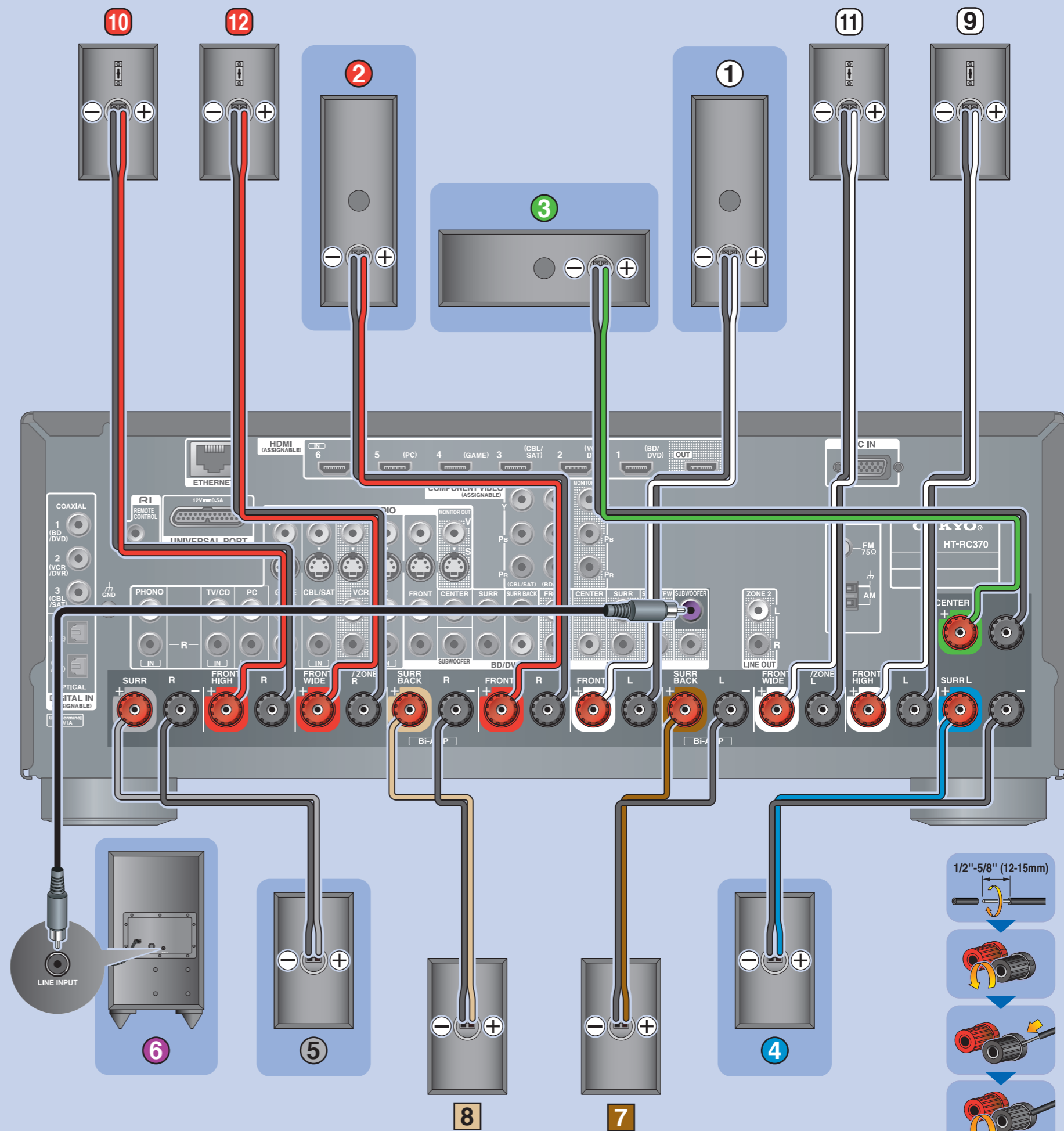
# QUICK SETUP

Model: HT-RC370



## Speaker Configuration

- 5.1-channel: ① ② ③ ④ ⑤ ⑥
- 7.1-channel: ① ② ③ ④ ⑤ ⑥ + ⑦ ⑧
- 7.1-channel: ① ② ③ ④ ⑤ ⑥ + ⑨ ⑩
- 7.1-channel: ① ② ③ ④ ⑤ ⑥ + ⑪ ⑫



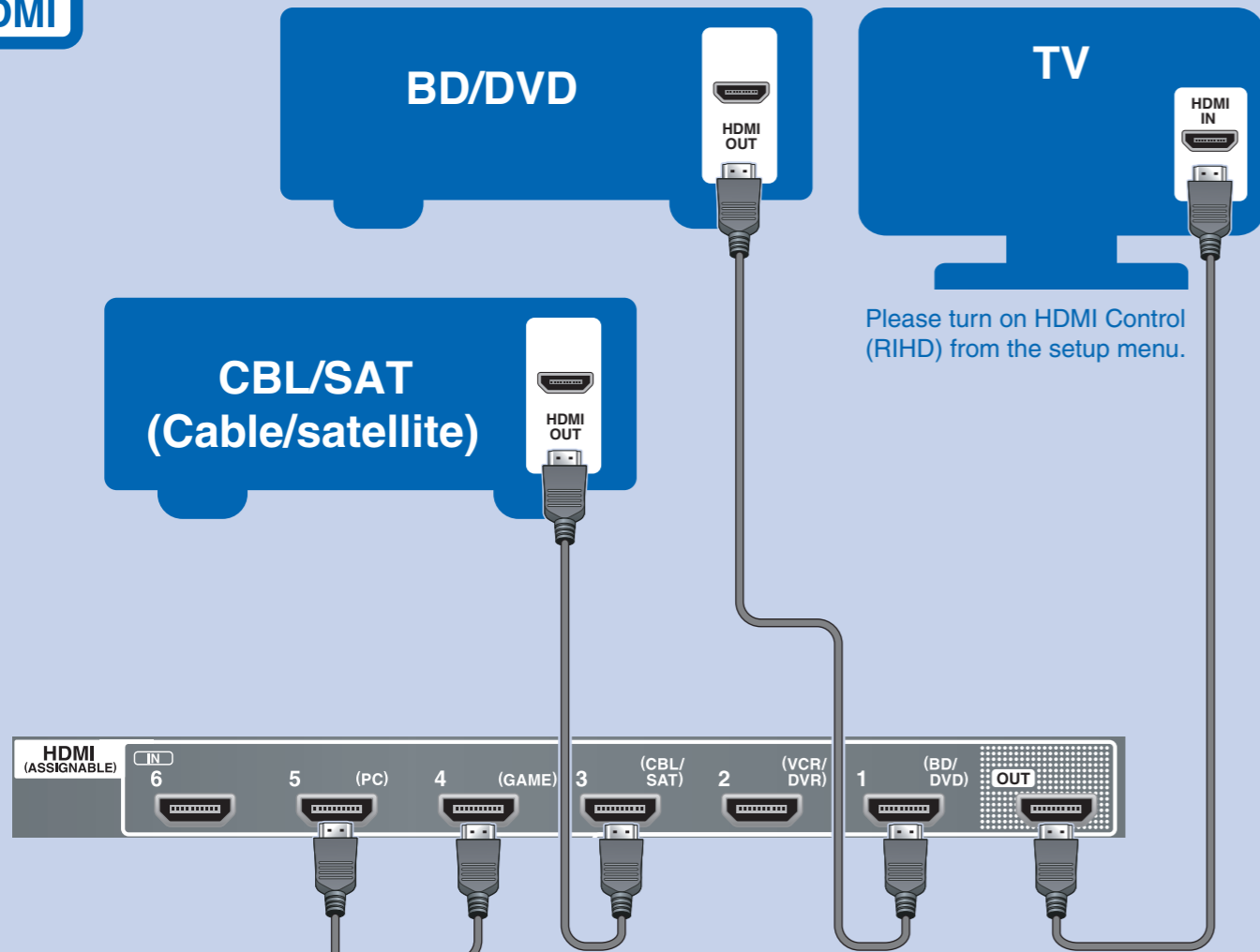
Please connect ①, ②, ③, ④, ⑤ and ⑥, when connecting 5.1-channel surround.



Y1102-1

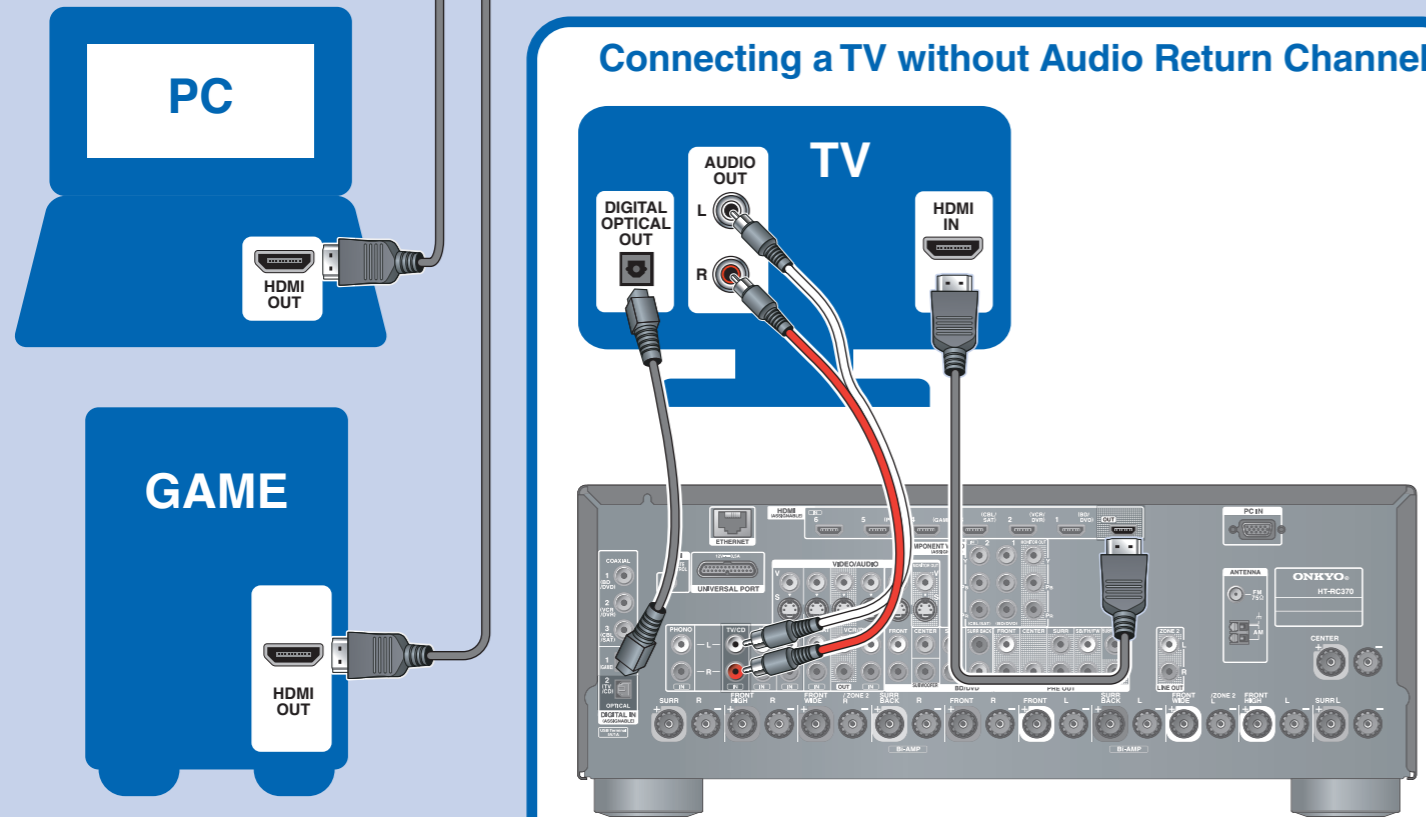


### Connecting a TV with Audio Return Channel

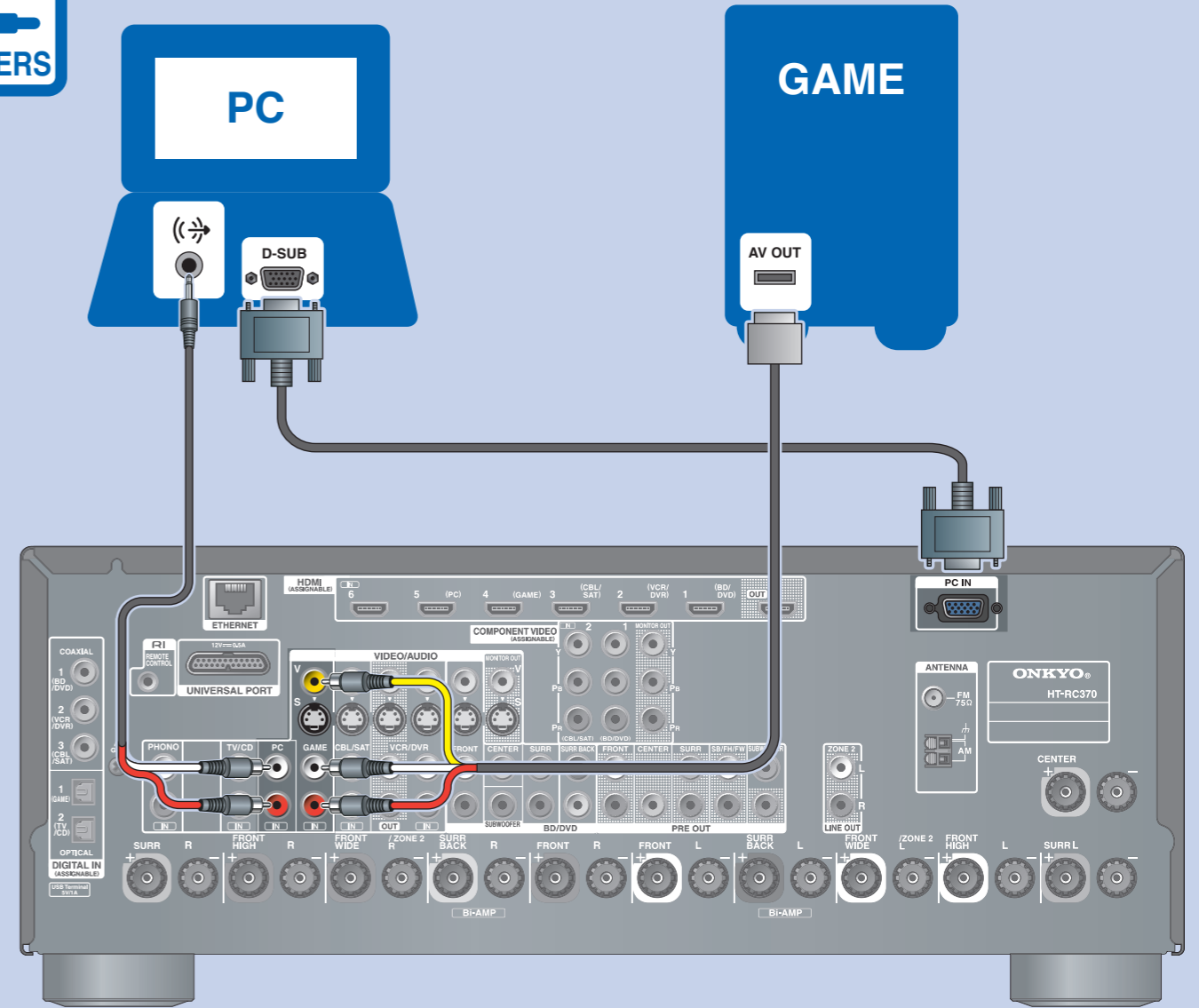


Please turn on HDMI Control (RIHD) from the setup menu.

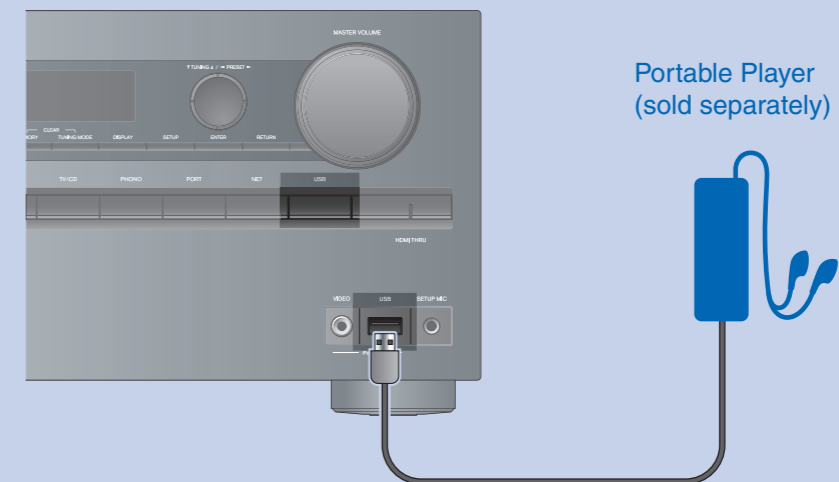
### Connecting a TV without Audio Return Channel



When there is no OPTICAL output in the TV, connect the analog output. The function of HDMI THRU can be used by turning on HDMI Control (RIHD) from the setup menu.



### Connecting a Portable Player



Portable Player (sold separately)

## Free Manuals Download Website

<http://myh66.com>

<http://usermanuals.us>

<http://www.somanuals.com>

<http://www.4manuals.cc>

<http://www.manual-lib.com>

<http://www.404manual.com>

<http://www.luxmanual.com>

<http://aubethermostatmanual.com>

Golf course search by state

<http://golfingnear.com>

Email search by domain

<http://emailbydomain.com>

Auto manuals search

<http://auto.somanuals.com>

TV manuals search

<http://tv.somanuals.com>