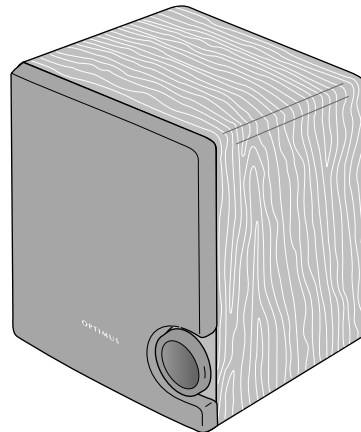


OPTIMUS®

Cat. No. 40-4054

PRO SW-120 12-Inch 100-Watt Subwoofer System



Your PRO SW-120 12-Inch 100-Watt Subwoofer System is designed to add the dramatic realism of solid bass response (below 150 Hz) to many speaker systems. The subwoofer system's bass reflex design provides clean bass response in the crucial bottom octave of the audible range.

The subwoofer system's effect is most dramatic when it is combined with mini-speakers. The mini-speakers reproduce the high, mid-range, and upper bass frequencies, while the subwoofer reproduces the low bass frequencies. This results in heightened presence and clarity for the entire audio range.

The subwoofer has a front-firing 12-inch driver with a dual 2-inch voice

coil. This lets you connect both stereo channels to a single subwoofer system.

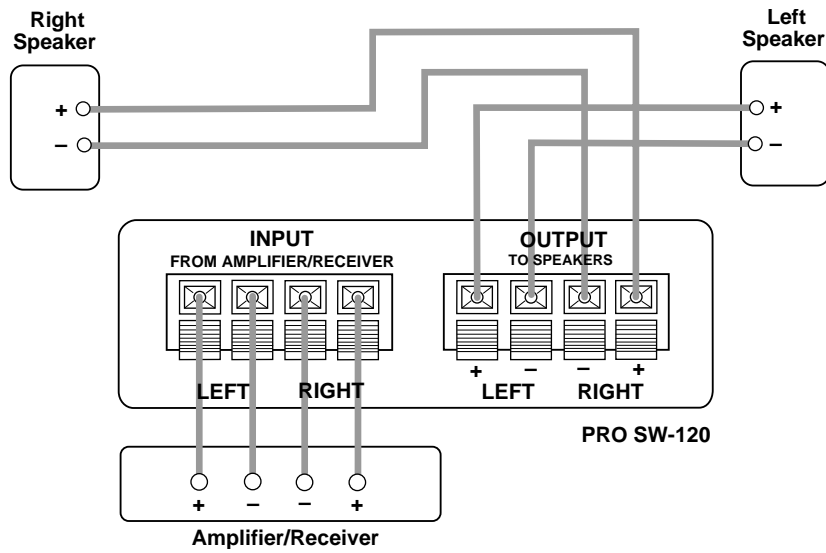
While your PRO SW-120 can work with most speaker systems, it is designed to give the best results with RadioShack PRO-X7s (Cat. No. 40-2071), PRO-X77s (40-2077), or PRO LX5 (Cat. No. 40-4061) speakers.

Because low frequencies are much less directional than other sounds, you can use a single subwoofer for both stereo channels. You can put the subwoofer almost anywhere in your listening area. However, to simplify connections, we recommend you place the subwoofer between the left and right front stereo speakers.

© 1996 Tandy Corporation.
All Rights Reserved.

Optimus is a registered trademark used by Tandy Corporation.
RadioShack is a trademark used by Tandy Corporation.

ADDING THE SUBWOOFER TO YOUR SPEAKER SYSTEM



We recommend you use color-coded or marked wires to help you correctly connect the subwoofer to your sound system. Color-coded wires have a stripe, and marked wires have ridges along one of the conductors. Your local RadioShack store has a wide selection of speaker wire.

With the subwoofer in the chosen location, make the following connections.

1. Connect your amplifier/receiver's left and right speaker terminals to the subwoofer's corresponding **INPUT** terminals.

2. Connect the subwoofer's **OUTPUT** terminals to the corresponding left and right stereo speakers.

Notes:

- For distances less than 25 feet, use 18-gauge speaker wire.
- For distances greater than 25 feet, use heavier 16-gauge speaker wire.
- For maximum bass response and the best overall performance, it is essential that you keep your subwoofer in proper phase with your speakers (connected + to + and - to -).

MAINTENANCE

The following suggestions will help you care for the speaker system so you can enjoy it for years.



Keep the subwoofer dry. If it gets wet, wipe it dry immediately. Liquids might contain minerals that can corrode the electronic circuits.



Use and store the subwoofer only in normal temperature environments. Temperature extremes can shorten the life of electronic devices and distort or melt plastic parts.



Wipe the subwoofer with a damp cloth occasionally to keep it looking new. Do not use harsh chemicals, cleaning solvents, or strong detergents to clean the subwoofer.

Caution: You might permanently damage your subwoofer by cleaning it with a vacuum cleaner. Use a feather duster or a very soft cloth instead.

Modifying or tampering with the subwoofer's internal components can cause a malfunction and might invalidate the subwoofer's warranty. If your subwoofer is not performing as it should, take it to your local RadioShack store for assistance.

SPECIFICATIONS

Frequency Response	45–150 Hz
Power Handling	100 Watts (RMS)
Maximum Power	200 Watts
Efficiency (SPL)	84 dB ±2 dB
Dual Coil Impedance	8 Ohms, Nominal
Speakers:	
Woofers	12-inch
Voice Coil	2-inch
Enclosure	Wood grain, Black Vinyl
Dimensions (HWD)	15 ³ / ₄ × 14 ⁵ / ₈ × 12 ³ / ₄ In (400 × 370 × 323 mm)
Weight	28 lb 3 oz (12.8 kg)

Specifications are typical; individual units might vary. Specifications are subject to change and improvement without notice.

RadioShack Limited Warranty

This product is warranted against defects for 5 years from date of purchase from RadioShack company-owned stores and authorized RadioShack franchisees and dealers. Within this period, we will repair it without charge for parts and labor. Simply **bring your RadioShack sales slip** as proof of purchase date to any RadioShack store. Warranty does not cover transportation costs. Nor does it cover a product subjected to misuse or accidental damage.

EXCEPT AS PROVIDED HEREIN, RadioShack MAKES NO EXPRESS WARRANTIES AND ANY IMPLIED WARRANTIES ARE LIMITED IN DURATION TO THE DURATION OF THE WRITTEN LIMITED WARRANTIES CONTAINED HEREIN. Some states do not permit limitation or exclusion of implied warranties; therefore, the aforesaid limitation(s) or exclusion(s) may not apply to the purchaser.

This warranty gives you specific legal rights and you may also have other rights which vary from state to state.

We Service What We Sell

10/95

RadioShack
A Division of Tandy Corporation
Fort Worth, Texas 76102

6A6

Printed in Malaysia

Free Manuals Download Website

<http://myh66.com>

<http://usermanuals.us>

<http://www.somanuals.com>

<http://www.4manuals.cc>

<http://www.manual-lib.com>

<http://www.404manual.com>

<http://www.luxmanual.com>

<http://aubethermostatmanual.com>

Golf course search by state

<http://golfingnear.com>

Email search by domain

<http://emailbydomain.com>

Auto manuals search

<http://auto.somanuals.com>

TV manuals search

<http://tv.somanuals.com>