



WIRELESS
AVCW WiFi
Virtual Cable

QUICKSTART GUIDE

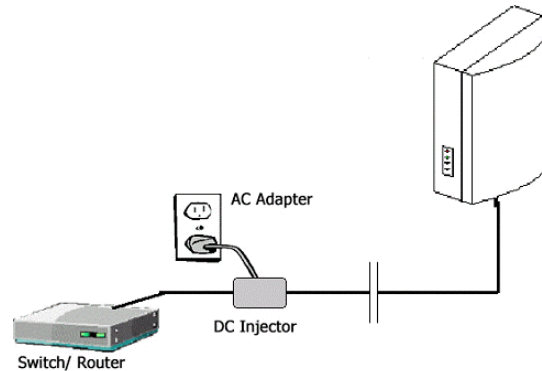


Included with AVCW 100/200, 109/209, 115/215:

- AVCW Radio Unit
- DC Injector
- 9V AC Adapter
- White 3 ft Straight-thru UTP Cat5 Cable
- Blue 7 ft Crossover UTP Cat5 Cable
- Black 30 ft UTP Cat5 Cable
- Installation CD with Utilities and Manuals
- Mounting Bar
- Hose Clamp
- AVCW Quickstart Guide
- 6' Coax-Seal Tapes

Step 1: Connect the AVCW-100/109/115 Virtual Cable Wi-Fi Access Point

- A.** Connect the bundled 9V AC Adapter to the port on the DC Injector labeled, **DC**. Connect the AC Adapter to a wall outlet
- B.** Connect the black Cat5 cable that extends from the AVCW unit labeled, "AP" to the port on the DC Injector labeled, **Radio**.
- C.** Connect the (blue) crossover Cat5 cable from your Hub or Switch to the port on the DC Injector labeled, **Network**. If you are connecting the Server to a DSL or cable modem or Router, use the (white) straight-thru Cat5 cable.
- D.** Check to see that the yellow LED labeled, "Link" is flashing periodically. If it is solid, try another cable or switch to a crossover or straight-thru cable as needed.
- E.** If the AVCW unit has an antenna connector (AVCW-100), use an LMR-400 cable to connect the unit to an external antenna.

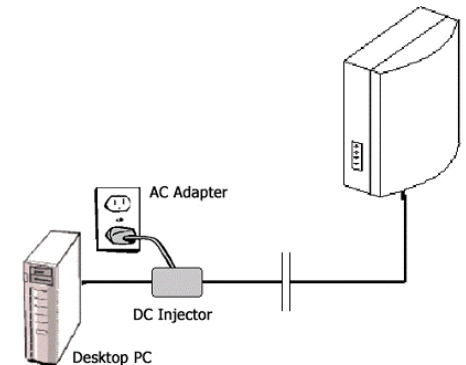


Step 2: Position the AVCW-100/109/115 Virtual Cable Wi-Fi Access Point

- A.** Affix the AVCW-100, 109 or 115 Virtual Cable Wi-Fi AP unit and the antenna (for AVCW-100) to a mast or wall using the bundled installation materials. Seal the connections between the radio and Ethernet/antenna with coax-seal tapes.

Step 3: Connect the AVCW-200/209/215 Virtual Cable Wi-Fi Station

- A.** Connect the bundled 9V AC Adapter to the port on the DC Injector labeled, **DC**. Connect the AC Adapter a wall outlet.
- B.** Connect the black Cat5 cable that extends from the AVC unit labeled, "Station" to the port on the DC injector labeled, **Radio**.
- C.** Connect the bundled (white) Cat5 cable from your PC to the port on the DC Injector labeled, **Network**.
- D.** If the AVCW unit has an antenna connector (AVCW-200), use an LMR-400 cable to connect the unit to an external antenna.
- E.** Check to see that the yellow LED labeled, "Link" is flashing periodically. If it is solid, try another cable or switch to a crossover or straight-thru cable as needed.
- F.** Repeat step 3 for all other AVCW-200, 209 or 215 Virtual Cable Wi-Fi Station units if needed.



Step 4: Position the AVCW-200/209/215 Virtual Cable Wi-Fi Station

- A.** Affix the AVCW-200, 209 or 215 Virtual Cable Wi-Fi Station unit and the antenna (AVCW-200) to a mast or wall unit using the bundled OEM installation materials.
- B.** Affix the AVCW-200, 209 or 215 Virtual Cable Wi-Fi Station so that the antenna is aimed directly at the AVCW AP unit. If the AP is not in direct view, re-position or rotate the AVCW-200, 209 or 215 Virtual Cable Wireless Station until the LED indicator labeled "TX" turns on periodically. This indicates communication with the AP unit.
- C.** Seal the connections between the radio and Ethernet/antenna with coax-seal tapes to prevent moisture from damaging the radio unit.
- D.** Repeat step 4 for all other AVCW-200, 209 or 215 Virtual Cable Wi-Fi Station units if needed.
- E.** You are now able to connect with the AP unit. If the AP unit is connected to a router, use a web browser (e.g. Internet Explorer) to confirm a wireless connection to the Internet. If the AP unit is connected to a switch, use your network browser (e.g. Network Neighborhood) to confirm access to your Local area Network.

If prompted, your AVCW 100/200, 109/209, 115/215 unit is configured with the following Administrator password:

otc123

If there is appears to be no communication, check SSID and channel number which must be the same as setting in the AP unit. Consult the Virtual Cable Wi-Fi Manual included with your product.

For technical assistance, please call OTC Wireless at (800) 770 - 6698 or visit OTC Website at www.otcwireless.com.

AVC-W Wi-Fi Virtual Cable Quick Start Guide v 1.4

Free Manuals Download Website

<http://myh66.com>

<http://usermanuals.us>

<http://www.somanuals.com>

<http://www.4manuals.cc>

<http://www.manual-lib.com>

<http://www.404manual.com>

<http://www.luxmanual.com>

<http://aubethermostatmanual.com>

Golf course search by state

<http://golfingnear.com>

Email search by domain

<http://emailbydomain.com>

Auto manuals search

<http://auto.somanuals.com>

TV manuals search

<http://tv.somanuals.com>