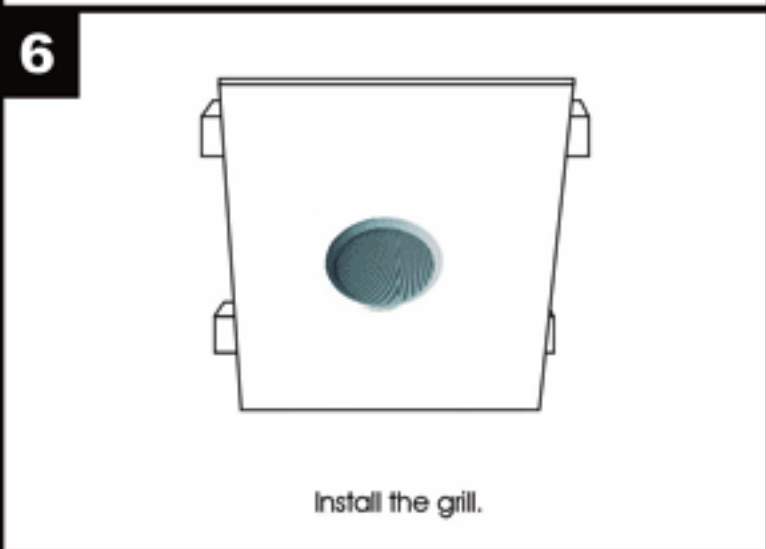
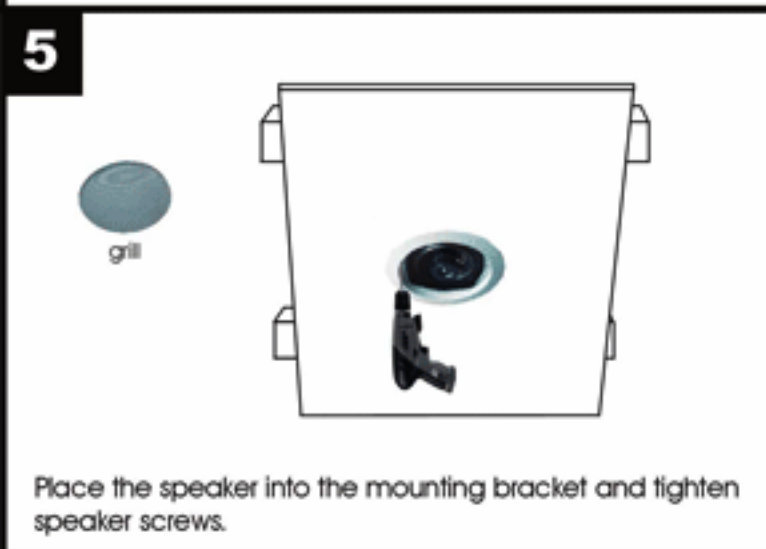
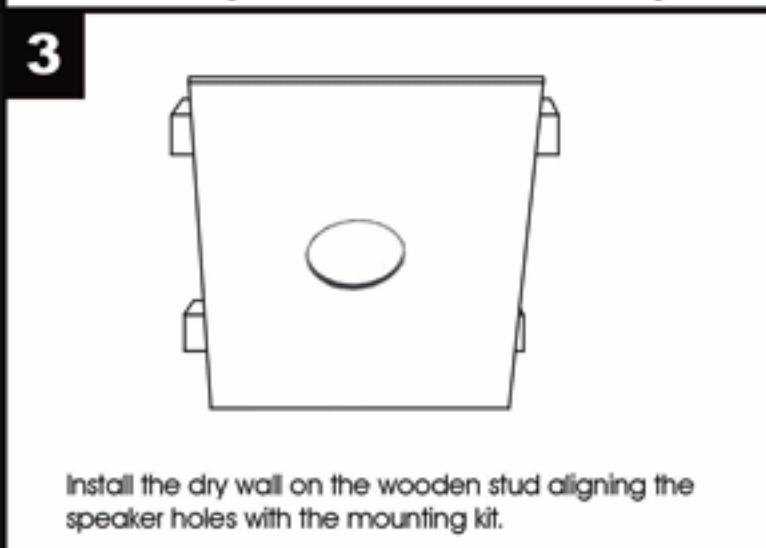
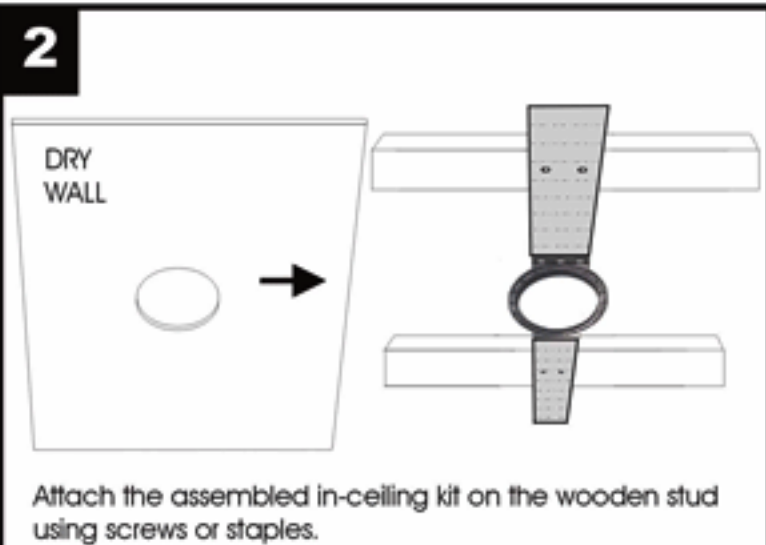
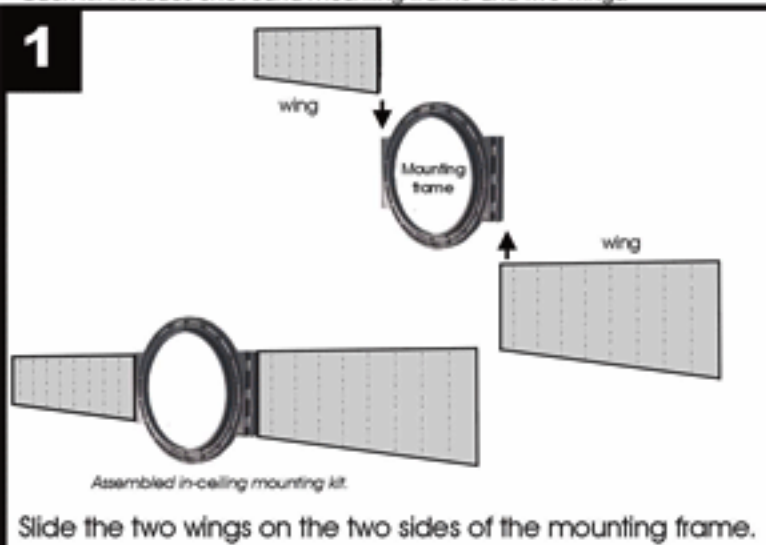


# INSTRUCTIONS FOR MOUNTING THE IC5-KIT, IC6-KIT & IC8-KIT

## (Mounting Brackets for the OWI 5", 6" & 8" Round In-ceiling Speakers)

\* Each kit includes one round mounting frame and two wings.



### OWI INCORPORATED

17141 Kingsview Avenue, Carson, CA 90746-1207 USA

Tel: 310.515.1900 Fax: 310.515.1606

Email: [info@owi-inc.com](mailto:info@owi-inc.com) Website: [www.owi-inc.com](http://www.owi-inc.com)

## Free Manuals Download Website

<http://myh66.com>

<http://usermanuals.us>

<http://www.somanuals.com>

<http://www.4manuals.cc>

<http://www.manual-lib.com>

<http://www.404manual.com>

<http://www.luxmanual.com>

<http://aubethermostatmanual.com>

Golf course search by state

<http://golfingnear.com>

Email search by domain

<http://emailbydomain.com>

Auto manuals search

<http://auto.somanuals.com>

TV manuals search

<http://tv.somanuals.com>