

# Pro 12

**NOTHING GETS BY AN ORECK,  
WE ARE THE "PROFI'S"  
I AM PRO 12.**

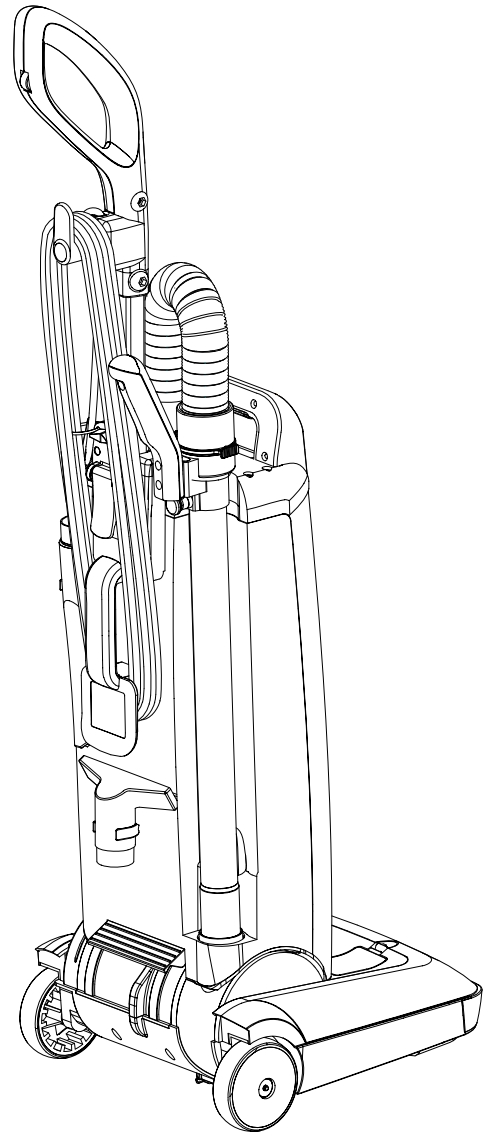
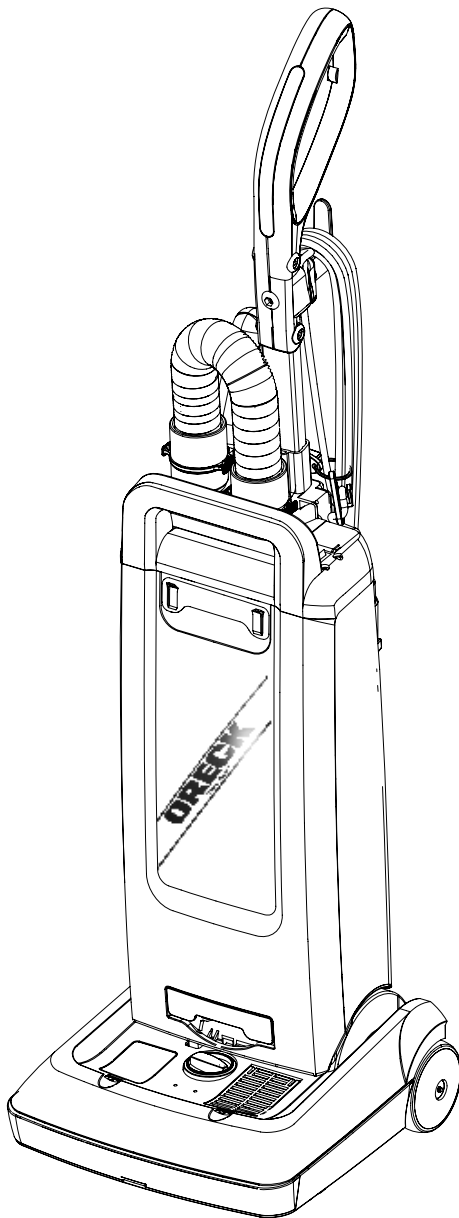
**ORECK**  
COMMERCIAL

**⚠ ADVISE**

**Oreck Commercial**

*For parts or service please call 800-242-1378*

*[www.oreckcommercial.com](http://www.oreckcommercial.com)*



## **WARNING**

**READ ALL INSTRUCTIONS BEFORE  
USING THIS VACUUM CLEANER**

**To reduce the risk of fire,  
electric shock, or injury:**

→ **For Dry Use Only**

88.4001.0001.01

Page 1



## IMPORTANT SAFETY INSTRUCTIONS

When using an electrical appliance, basic precautions must always be followed, including the following.

**READ ALL INSTRUCTIONS BEFORE USING THIS MACHINE**

**WARNING:** To reduce the risk of fire, electric shock, or injury:

1. Do not leave appliance when plugged in. Unplug from outlet when not in use and before servicing.
2. Do not use outdoors or on wet surfaces.
3. Do not use near small children. Do not allow to be used as a toy. Close attention is necessary when by or near children.
4. Use only as described in this manual. Use only manufacturer's recommended attachments.
5. Do not use with damaged cord or plug. If appliance is not working as it should, damaged, left outdoors dropped into water, return it to a service center.
6. Do not pull or carry by cord, use cord as a handle, close a door on cord, or pull cord around sharp edges or corners. Do not run appliance over cord. Keep cord away from heated surfaces.
7. Do not unplug by pulling on cord. To unplug, grasp the plug, not the cord.
8. Do not handle plug or appliance with wet hands.
9. Do not put any object into openings. Do not use with any opening blocked; keep free of dust, hair and anything that may reduce air flow.
10. Keep hair, loose clothing, fingers, and all parts of body away from openings and moving parts. Do not place fingers or other body parts under vacuum unless unplugged.
11. Do not pick up anything that is burning or smoking, such as cigarettes, matches, or hot ashes.
12. Do not use without dust bag and/or filters in place.
13. Turn off all controls before unplugging.
14. Use extra care when cleaning on stairs.
15. Do not use to pick up flammable or combustible liquids such as gasoline or use in areas where they may be present.
16. Machines can cause a fire when operated near flammable vapors or materials. Do not operate this machine near flammable fluids, dust or vapors.
17. Maintenance and repairs must be done by qualified personnel.
18. Use only identical replacement parts. See instructions for Servicing of Appliances.
19. Do not use machine as a step.
20. If used on plush carpet or carpet with thick padding, do not leave machine in one place with machine turned on.
21. Do not use the handle in the dust bag housing cover to carry the machine.
22. Always turn off this appliance before connecting or disconnecting motorized nozzle.
23. Brush may unexpectedly restart. To reduce the risk of injury from moving parts. (Unplug before servicing)
24. The vacuum has a manual reset thermal protector. The protector is reset by switching of the vacuum. The thermal protector needs some time to cool down after switching off. Check the vacuum for air blockages or mechanical failures before switching on.
25. Store the vacuum in a dry place at room temperature. When the vacuum is not in use, you should wrap the cord on the cable hooks.
26. Any other servicing should be performed by an authorized service representative.



## GROUNDING INSTRUCTIONS

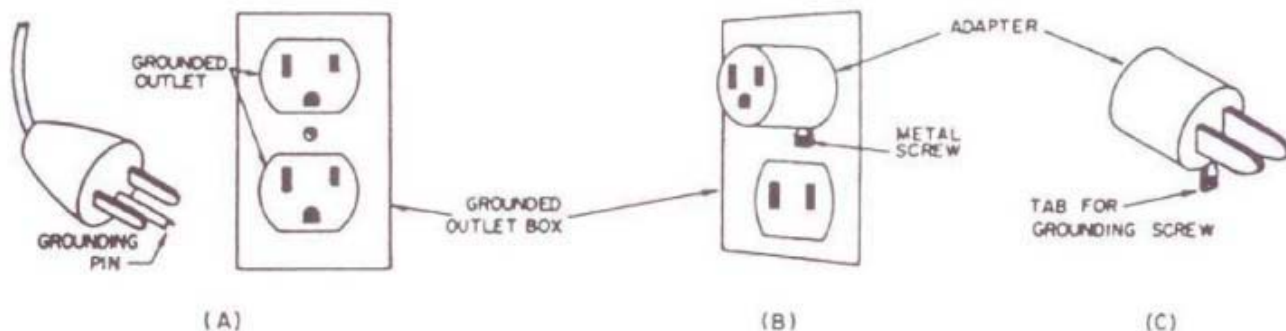
This appliance must be grounded. If it should malfunction or breakdown, grounding provides a path of least resistance for electrical current to reduce the risk of electrical shock. This appliance is equipped with a cord that has an equipment-grounding conductor and grounding plug. The plug must be inserted in to an appropriate outlet that is properly installed and grounded in accordance with all local codes and ordinances.

### WARNING

Improper connection of the equipment-grounding conductor can result in a risk of electric shock. Check with a qualified electrician or service person if you are in doubt as to whether the outlet is properly grounded. Do not modify the plug provided with the appliance – if it will not fit the outlet, have a proper outlet installed by a qualified electrician.

This appliance is for use on a nominal 120-volt circuit, and has a grounded plug that looks like the plug illustrated in sketch A. A temporary adaptor that looks like the adaptor illustrated in sketches B and C may be used to connect this plug to a 2-pole receptacle as shown in sketch B if a properly grounded outlet is not available. The temporary adaptor should be used only until a properly grounded outlet (sketch A) can be installed by a qualified electrician. The green colored rigid ear, lug, or the like extending from the adaptor must be connected to a permanent ground such as a properly grounded outlet box cover. Whenever the adaptor is used, it must be held in place by a metal screw.

**Note: In Canada, the use of a temporary adaptor is not permitted by the Canadian Electrical Code.**



### WARNING

READ ALL INSTRUCTIONS BEFORE  
USING THIS VACUUM CLEANER

To reduce the risk of fire,  
electric shock, or injury:

➔ For Dry Use Only



## Important Safeguards

Accident due to misuse can only be prevented by those using the machine. To guard against injury, basic safety precautions should be observed. Including the following:

Read and follow all safety instructions.

**WARNING: ELECTRIC SHOCK COULD OCCUR IF USED  
OUTDOORS OR ON WET SURFACES.**

This vacuum cleaner is designed to be safe when used to perform cleaning functions. Should damage occur to electrical or mechanical parts. Cleaner should be repaired by ORECK or competent service station before using in order to avoid further damage to machine or physical injury to user.

A damaged power cord could cause electrical shock and/or fire. To minimize this possibility observe the following precautions:

Do not run cleaner over power cord.

Avoid closing doors on power cord. Pulling it around sharp edged corners or putting objects upon it .

Do not wind cord tighter than is necessary to retain it on the cord hooks.

When disconnecting power cord from electrical outlet, grasp the plug . Pulling it out by the cord itself can damage cord insulation and internal connections to plug.

Your vacuum cleaner creates suction and contains a revolving brush. To avoid bodily injury from suction or moving parts. vacuum cleaner brush should not be placed against, or in close proximity of loose clothing, jewelry, hair or body surfaces while cleaner is connected to electrical outlet. Cleaner should not be used to vacuum clothing while it is being worn. Keep children away from machine when in operation or plugged in.

If used on plush carpet or carpet with thick padding, turn off unit when handle is in upright position. When using accessory tools, keep floor brush off carpet by keeping handle in locked position with other hand.

Always plug your cleaner into a standard wall outlet. Use of extension cord or light socket with inadequate current-carrying capacity could result in electric shock or fire hazard.

Disconnect cleaner from electrical outlet before servicing ,such as changing bags or belts, You could receive bodily injury from moving parts of machine should switch accidentally be turned on.

Disconnect cleaner from electrical outlet before detaching power head.

Do not use your vacuum cleaner in areas where flammable and/or dust is present to avoid possibility of fire or explosion. Some cleaning fluids can produce such vapors. Areas on which cleaning fluids have been used should be completely dry and thoroughly aired before being vacuumed.

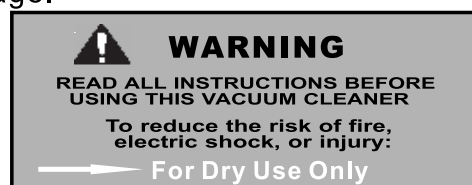
To avoid fire hazard, do not pick up matches, fire place ashes, or smoking material with cleaner.

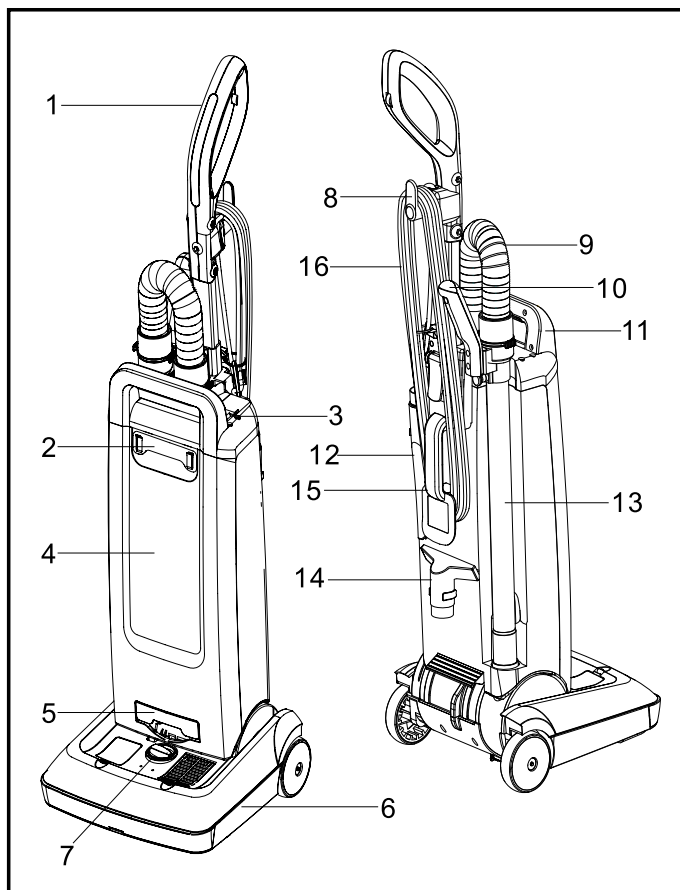
Keep your work area well lighted to avoid picking up harmful material (such as liquids, sharp objects, or burning substances) and avoid tripping accidents.

Use care when operating the cleaner on irregular surfaces such as stairs. A falling cleaner could cause bodily injury and /or mechanical damage. Proper storage of machine in an out-of-the way area immediately after use will also prevent accidents caused by tripping over cleaner.

Exercise strict supervision to prevent injury when using vacuum cleaner near children or when child is allowed to operate vacuum cleaner. Do not allow children to play with vacuum cleaner and never leave cleaner plugged in and unattended.

Store your vacuum indoors in a cool, dry area not exposed to the weather to avoid electrical shock and / or cleaner damage.

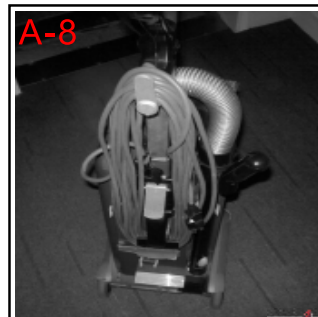
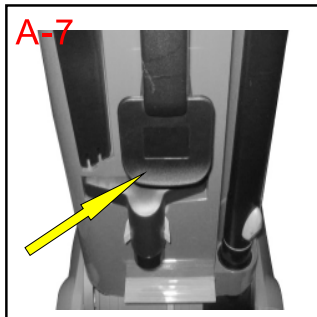
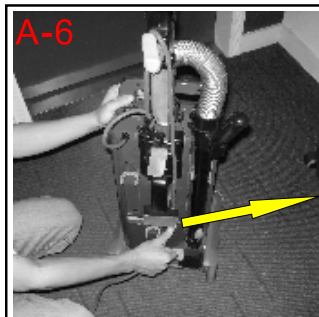
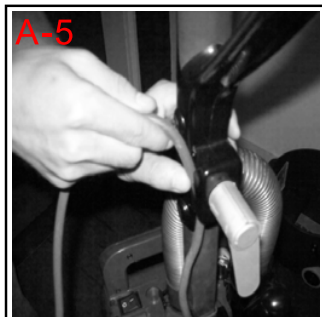
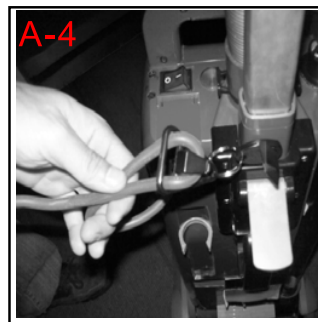
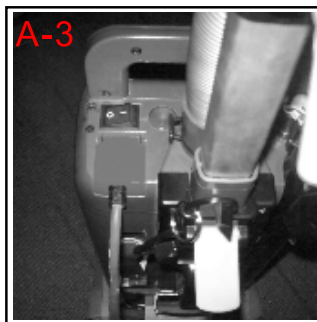
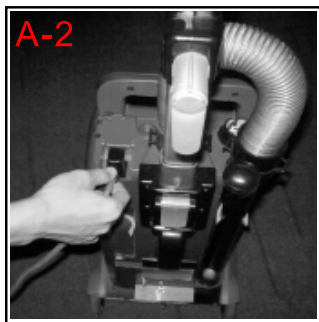
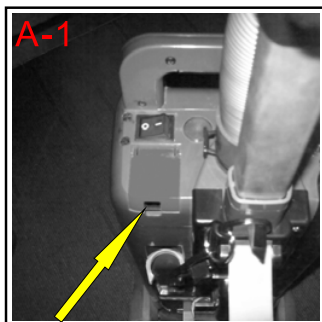




1. Handle Grip
2. Release Opener Front Door
3. On/Off Switch
4. Front Door
5. Upper Body Release
6. Brush Unit
7. Height Adjustment Knob
8. Cable Hook / Quick Release
9. Stretch Hose
10. Handle Telescopic Wand
11. Carrying Handle Front
12. Crevice Nozzle
13. Telescopic Wand
14. Uphostery Nozzle
15. Carry Handle Back (for stairs)
16. Electrical Cable

### Cable Installation

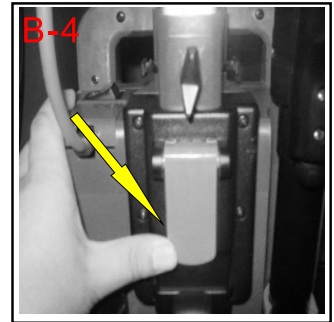
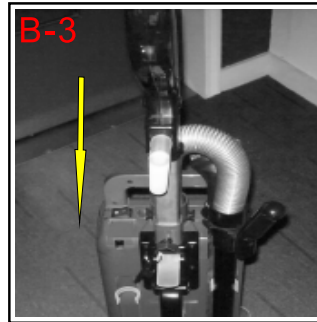
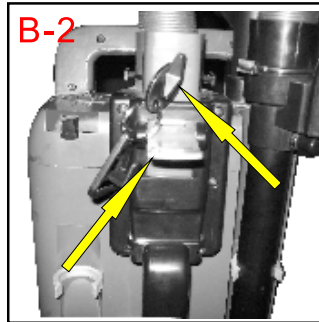
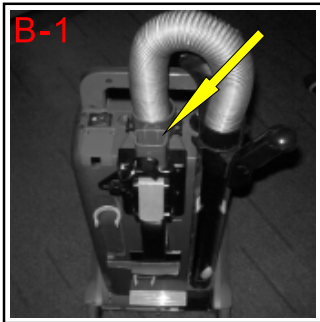
1. Open the cover of cable and insert the plug. (A1/A2)
2. Close the cover of cable and fix the cable by restrain item. (A3/A4)
3. Use the cable hook and back handle to bind the cable as a circle. (A5/A6/A7/A8)





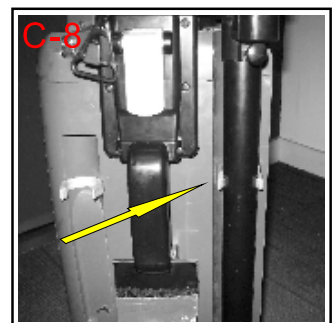
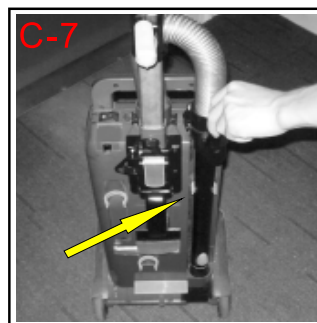
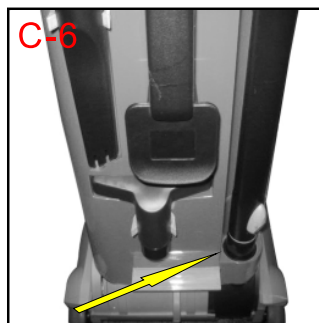
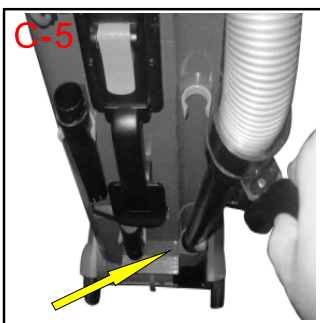
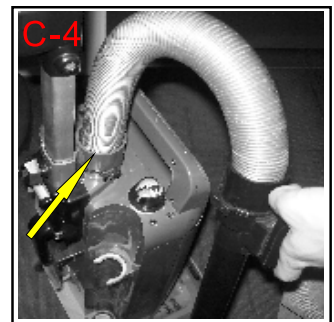
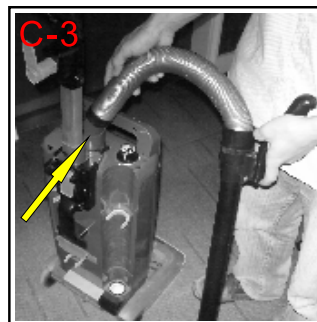
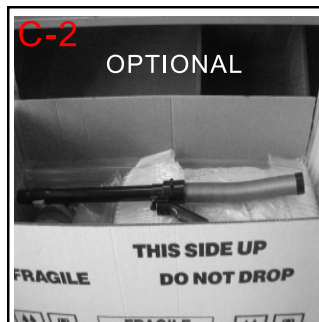
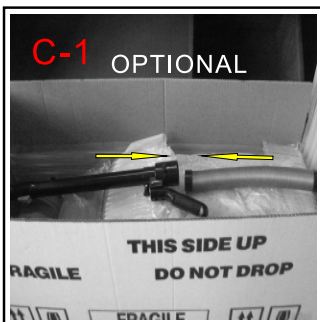
## Handle Installation

1. Release the thumb screw and clip plate and then enter tube into mouth of upper body.(B1/B2/B3)
2. Tighten the thumb screw & close yellow clip by pressing down plate.(B-4)



## Hose & Telescopic Wand Installation

1. Connect the hose & telescopic wand together.(C1/C2)
2. Connect the other mouth of hose with upper body by pressing of clips.(C3/C4)
3. Put the telescopic wand into the body connector by pressing clips.(C5/C6)
4. Combine the telescopic wand with back body by wand locker.(C7/C8)



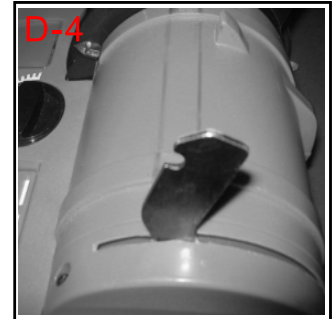
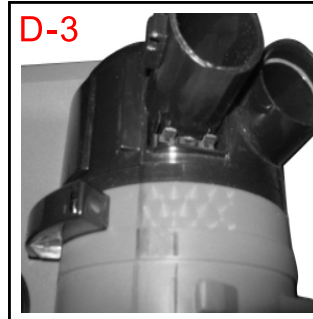
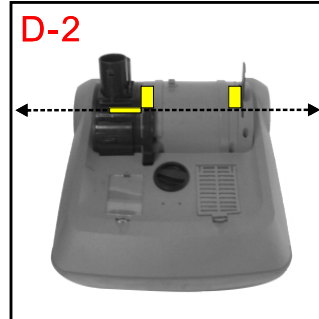
**WARNING**  
READ ALL INSTRUCTIONS BEFORE  
USING THIS VACUUM CLEANER  
To reduce the risk of fire,  
electric shock, or injury:  
▶ For Dry Use Only



## Upper Body & Brush Unit Installation

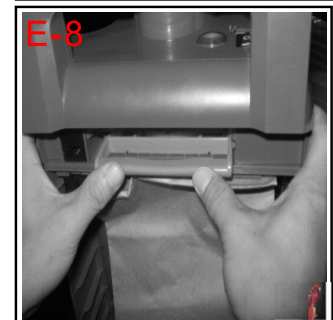
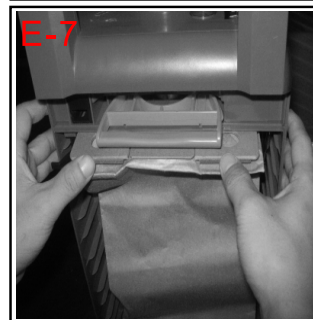
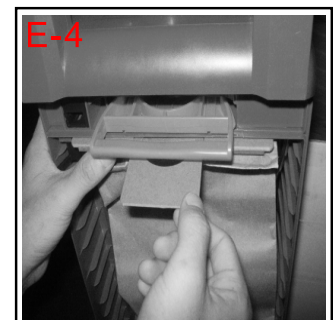
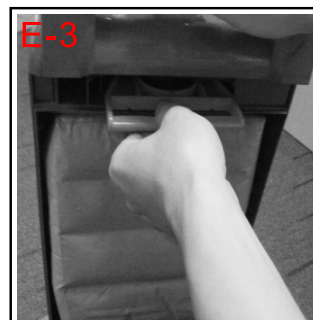
 Alignment Mark

1. Adjust the swivel hose shaft & support bracket into alignment position. (D1/D2/D3/D4)
2. Assemble the upper body & brush unit by vertical insert. (D5/D6)

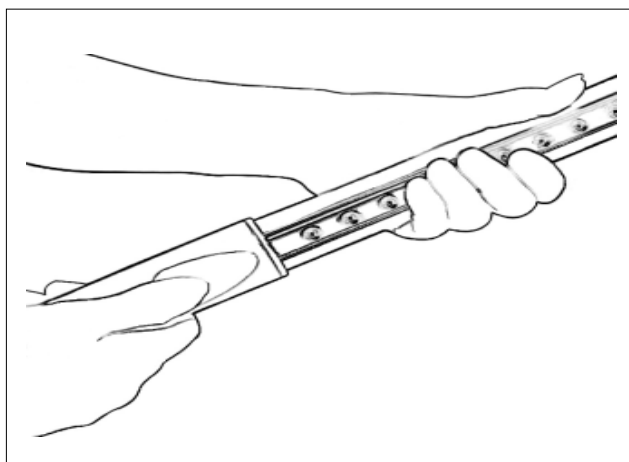
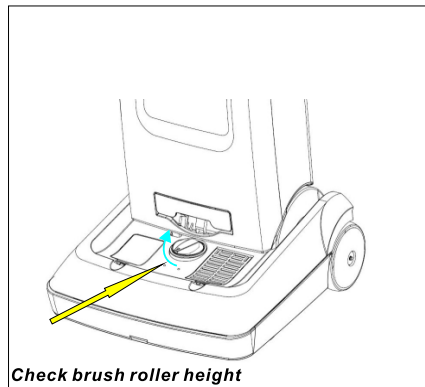
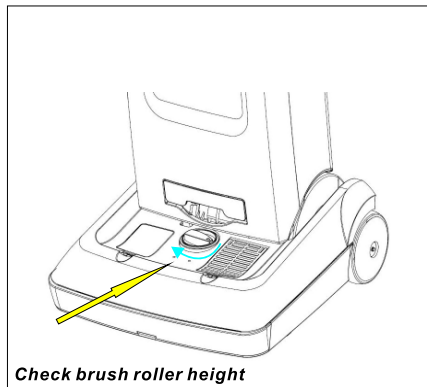
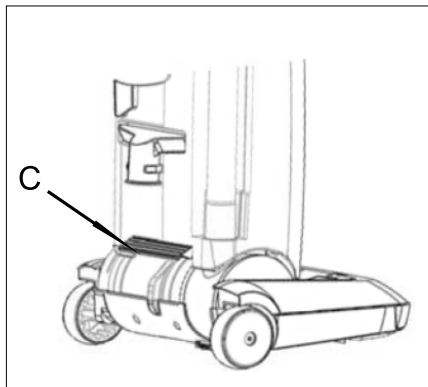


## Replace The Paper Bag

1. Release the front door. (E1/E2)
2. Pull the handle out first and then close the lip and pull the cardboard out to prevent dust leakage. (E-3/E-4)
3. Take the paper bag out of body by holding the taps of cardboard. (E5/E6)
4. Replace the new paper bag and push the cardboard back into position. (E7/E8)

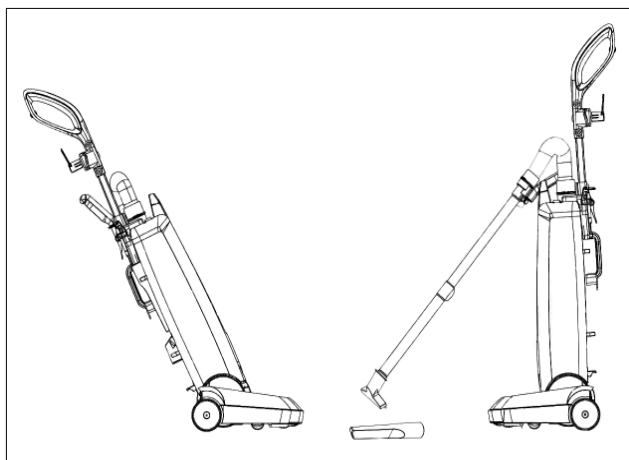


When the machine is switched on in the upright position the brush automatically rises from the carpet. To release the machine from the upright position, press down C. The brush will automatically lower, to set height position. (This is foot operated pedal)



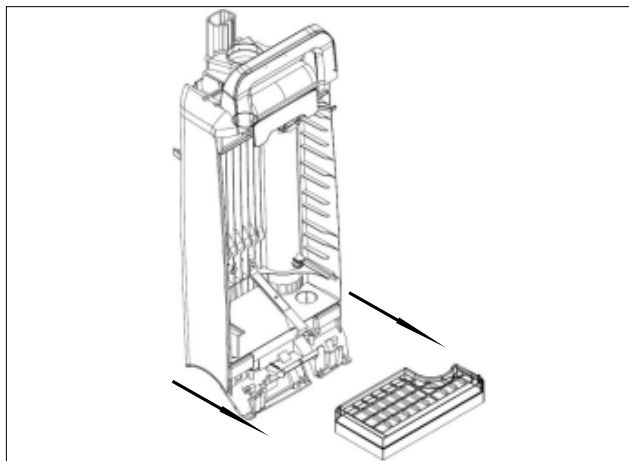
To vacuum in corners etc: Hold the telescopic handle grip, lift it away from the machine and stretch out the hose/wand. After using, insert the telescopic attachment tube into the back of the machine.

To use the hose without the tube as shown in the right hand picture, the hose will pull out of the tube while the tube is fitted to the machine.



To vacuum under the bed or table etc. the Pro12 could be fitted with an additional straight tube and the floor nozzle. The machine will then perform as a cylinder vacuum.

Never run over the cable with brush/suction head. Always carry the machine over steps and sills.



### Maintenance

**CAUTION– Always unplug machine at main outlet before dismantling any part of machine.**

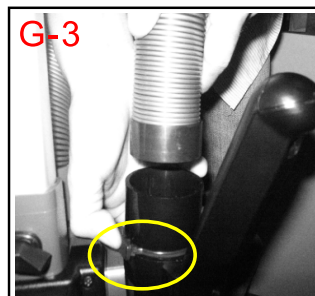
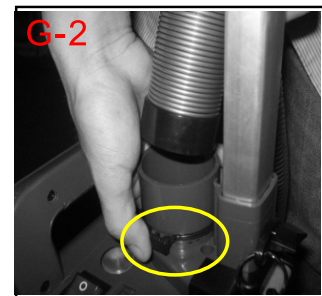
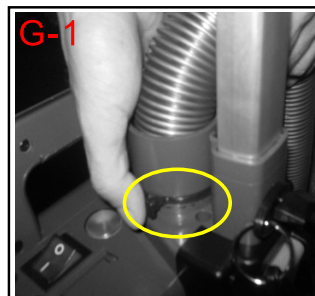
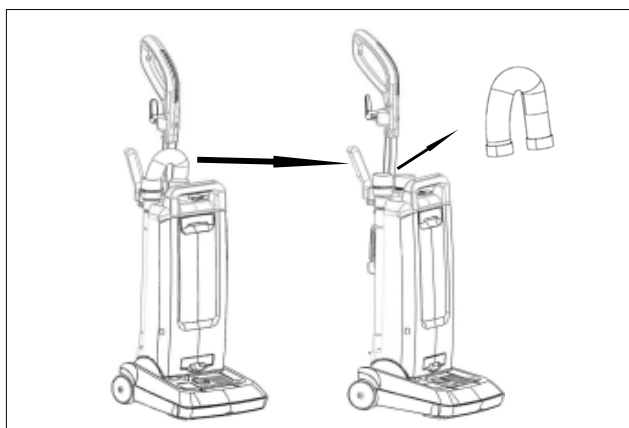
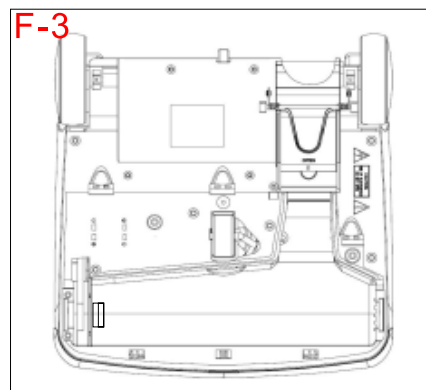
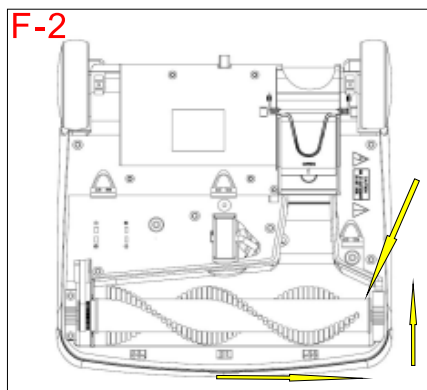
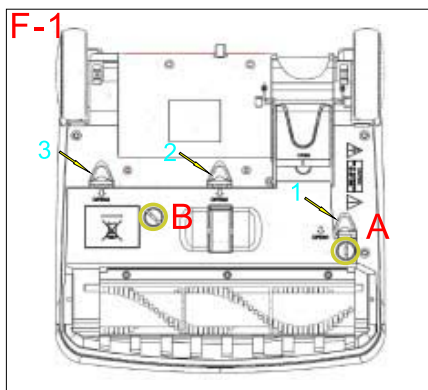
If red light shows, change paper filter bag. The filter needs to be changed when it becomes clogged with dust or after approximately 20 paper bags have been used. To change the filter, first remove the filter sensor then slide the filter out at the bottom and slide the new one in.



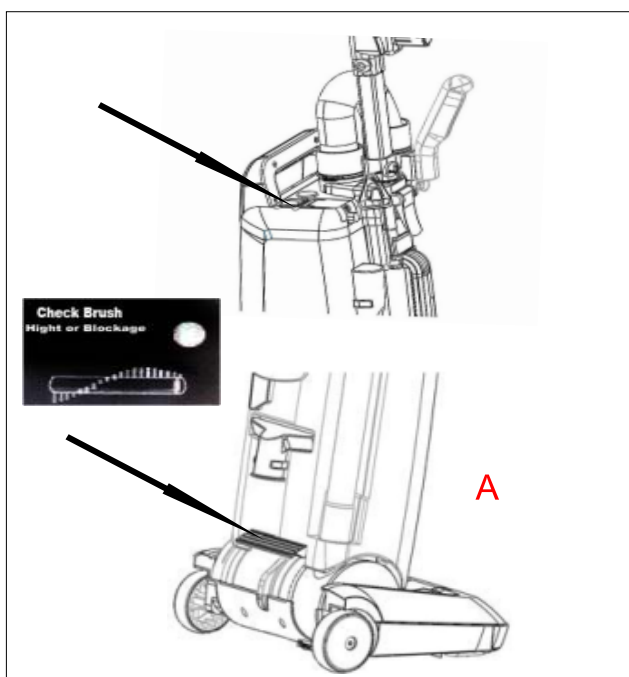


### Change the Brush Roller

1. Turn the brush side on the top, first remove with a coin (A & B), then open the three button bits on bottom plate and take away the bottom plate. (F1/F2)
2. Take out the brush roller from the brush housing by lifting it and pulling it to the right side. (F2)



Blockages in the hose can be cleared by taking the hose off the machine and replacing it; First push the clips to release the hose from upper body (G1/G2) and then release the hose from telescopic wand (G3/G4).



### Filter level indicator

The red warning light indicates a blockage or a full bag. So check:

- a) Is the dust bag full?
  - b) Is there a blockage in the hose or power head?
- If the red light is disregarded the machine will shut off.

### Brush Controller

The electronic brush controller continuously monitors the operation of the brush. If the red light stays off, the operation of the brush is correct. (Green)

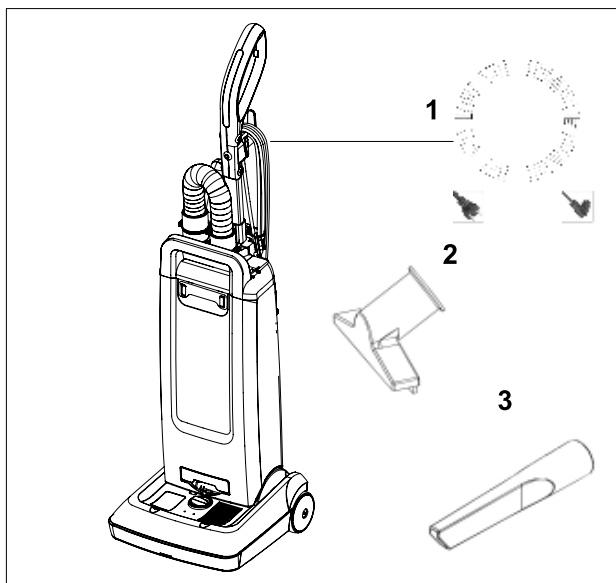
If the machine turns off and the red light burns, the brush has become blocked and is not turning. Switch the machine off, unplug it from the main outlet and clear the blockage.



## LIMITED WARRANTY

ORECK warrants to the original purchaser/user that this product is unconditionally guaranteed free from defects in workmanship and materials under normal use and service for a period of one year. The vacuum motor is warranted for a period of two years. ORECK will, at its option, repair or replace without charge, except for transportation costs, parts that fall under normal use and service when operated and maintained in accordance with the instructions manual.

This warranty does not apply to normal wear or to items whose life is dependent on their use and care. This warranty is in lieu of all other warranties, expressed or implied, and release ORECK from all other obligations and liabilities. It is applicable only in the U.S.A. and is extended only to the original user/purchaser of this product. ORECK is not responsible for costs for repairs performed by persons other than those specifically authorized by ORECK. This warranty does not apply to damage from transportation, alterations by unauthorized persons, misuse or abuse of the equipment, use of non-compatible chemicals, or damage or loss of income due to malfunctioning of the product. If a difficulty develops with this product, you should contact the dealer from whom it was purchased.



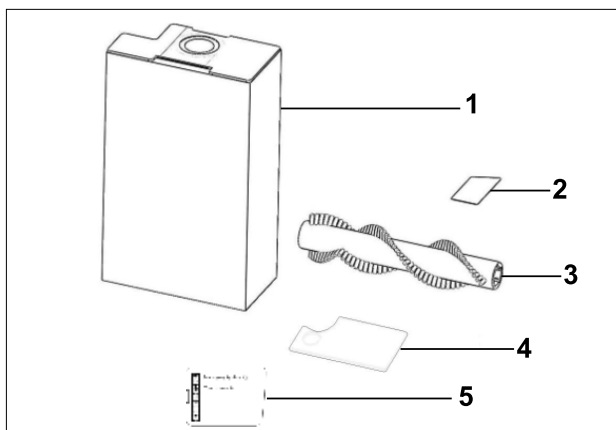
### Frequently Used Part

1.Cable 03.0026.65

### Attachment

2.Upholstery Nozzle S.02.0031.1

3.Crevise Nozzle S.02.0032.2



### Service Parts

1.Paper Bag 88.2003.0

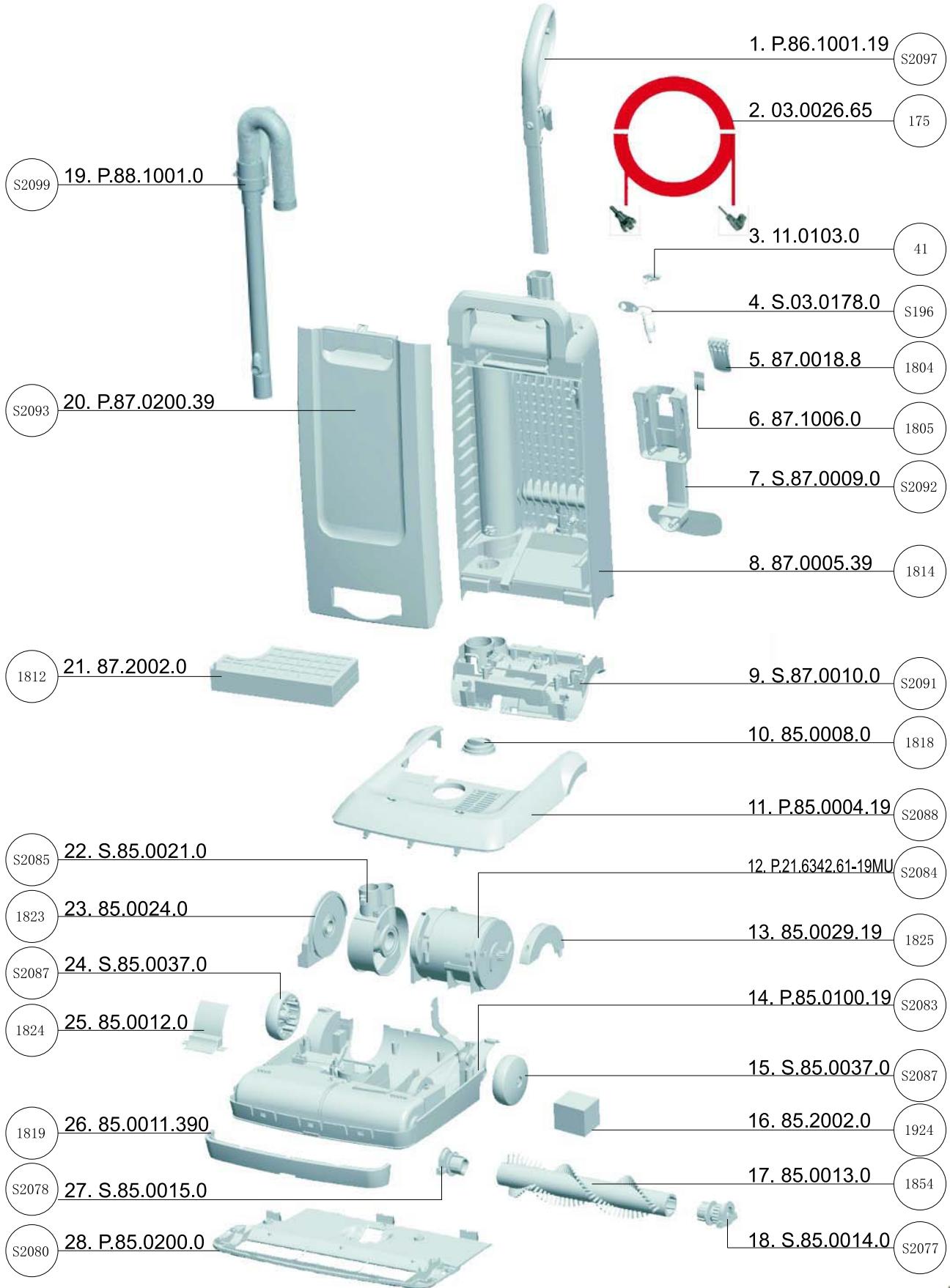
2.Exhaust Filter 85.2003.1

3.Brush Roller S.85.0013.0

4.Filter Cassette 87.2002.0

5.Name Card 88.4011.0






## EXPLODED VIEW ITEMS LIST

No.	ART CODE	DESCRIPTION	DRAWING REFERENCE	QTY.
1.	P.86.1001.19	HANDLE ASSEMBLY UPSM RED	S2097	1
2.	03.0026.65	CABLE USA 3P/18AWG-RED-12MTR-A.C.	175	1
3.	11.0103.0	THUMB SCREW 5x20 BLACK	41	1
4.	S.03.0178.0	CABLE RESTRAIN	S196	1
5.	87.0018.8	HANDLE FOR HEIGHT ADJUSTMENT YELLOW	1804	1
6.	87.1006.0	SPRING PLATE FOR HEIGHT ADJUSTMENT	1805	1
7.	S.87.0009.0	BACK HANDLE W/T GRIPS	S2092	1
8.	87.0005.39	REAR BODY SINGLE MOTOR GREY	1814	1
9.	S.87.0010.0	ASSY SWIVEL BASE SM	S2091	1
10.	85.0008.0	HEIGHT ADJUSTMENT BLACK	1818	1
11.	P.85.0004.19	BRUSH COVER ASSEMBLY UP SM RED	S2088	1
12.	P.21.6342.61-19MU	MOTOR UNIT UPSM ASSEMBLY RED	S2084	1
13.	85.0029.19	COVER MOTOR RIGHT RED	1825	1
14.	P.85.0100.19	ASSY BRUSH HOUSING RED / GREY BUMPER	S2083	1
15.	S.85.0037.0	REAR CASTOR W/T BEARING & SHAFT	S2087	2
16.	85.2002.0	FELT AIR OUTLET	1924	1
17.	85.0013.0	BRUSHROLLER SINGLE MOTOR	1854	1
18.	S.85.0014.0	ASSY BRACKET BRUSHROLLER LEFT	S2077	1
19.	P.88.1001.0	WAND ASSEMBLY UP SM BLACK	S2099	1
20.	P.87.0200.39	ASSY FRONT DOOR SM GREY	S2093	1
21.	87.2002.0	FILTER CASSETTE SM BODY CASS BLACK	1812	1
22.	S.85.0021.0	ASSY AIR INTAKE & SWIVEL UP SM	S2085	1
23.	85.0024.0	SUPPORT AIR INTAKE RIGHT	1823	1
24.	S.85.0037.0	REAR CASTOR W/T BEARING & SHAFT	S2087	2
25.	85.0012.0	WIRE FIXATION BRACKET	1824	1
26.	85.0011.390	BUMPER FOR BRUSH UNIT GREY	1819	1
27.	S.85.0015.0	ASSY BRACKET BRUSHROLLER RIGHT	S2078	1
28.	P.85.0200.0	BRUSH HOUSING BOTTOM COVER ASSEMBLY UP SM BLACK	S2080	1
29.	85.3002.0	MAIN PCB BOARD 52 X 100,5 X 5 MM		1
30.	21.6342.61	MOTOR SM 1000W 115V AMETEK		1
31.	85.0030.0	MOTOR GEAR 14X PA6 50%	1847	1
32.	85.0032.0	CLUTCH GEAR 60X		1
33.	85.0200.0	BOTTOM PLATE UP SM BLACK	1838	1
34.	88.0007.0	CLICK CLIP	1802	1
35.	75.0002.8	RECEPT INLET 3P FOR C6/9/MJP	171	1

## Frequently Used Parts

No.	ART CODE	DESCRIPTION	DRAWING REFERENCE	QTY.
1.	03.0026.65	CABLE USA 3P/18AWG-RED-12MTR-A.C.	175	1
2.	87.2002.0	FILTER CASSETTE SM BODY CASS BLACK	1812	1
3.	88.2003.0	PAPER BAG SM W/T PAPERBOARD	1079	1
4.	P.88.1001.0	WAND ASSEMBLY UP SM BLACK	S2099	1
5.	S.85.0037.0	REAR CASTOR W/T BEARING & SHAFT	S2087	2
6.	P.21.6342.61_19MU	MOTOR UNIT UPSM ASSEMBLY RED	S2084	1
7.	85.2003.1	FELT AIR OUTLET COTTON		1
8.	85.2007.0	BELT FOR CLUTCH AND ROLLER 234X		1
9.	S.85.0013.0	ASSY BRUSH ROLLER SINGLE MOTOR		1
10.	85.0013.0	BRUSHROLLER SINGLE MOTOR	1854	1
11.	S.02.0031.1	UPHOLSTERY TOOL 35MM + BRISTLE	S209	1
12.	S.02.0032.1	CREVICE TOOL 35MM W/T CHANGE END		1
13.	85.2008.0	BELT CLUTCH AND MOTOR GEAR 327X		1



**ADVISE**

**Oreck Commercial**

*For parts or service please call 800-242-1378*

[www.oreckcommercial.com](http://www.oreckcommercial.com)



**WARNING**

**READ ALL INSTRUCTIONS BEFORE USING THIS VACUUM CLEANER**

To reduce the risk of fire, electric shock, or injury:

← For Dry Use Only





## Free Manuals Download Website

<http://myh66.com>

<http://usermanuals.us>

<http://www.somanuals.com>

<http://www.4manuals.cc>

<http://www.manual-lib.com>

<http://www.404manual.com>

<http://www.luxmanual.com>

<http://aubethermostatmanual.com>

Golf course search by state

<http://golfingnear.com>

Email search by domain

<http://emailbydomain.com>

Auto manuals search

<http://auto.somanuals.com>

TV manuals search

<http://tv.somanuals.com>