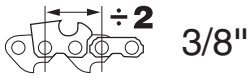




Forestry Products

CHAIN PITCH AND GAUGE

PITCH



GAUGE



KICKBACK – ANSI CLASSIFICATION



72LGX, 73LGX, and 75LGX are yellow-label chains. Though these chains have ramped depth gauges which reduce kickback energies, these are NOT low-kickback chains. These chains should be used ONLY by individuals with experience and specialized training for dealing with kickback.

RECOMMENDED TYPES OF USE



Professional



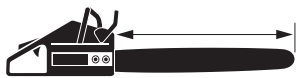
Commercial

RECOMMENDED SAW SIZES



Use with gasoline-powered saws 3.0 to 6.0 cu. in. (50 to 100 cc)

RECOMMENDED BAR LENGTHS



12 in. to 36 in. (30 to 91 cm)

KICKBACK-REDUCING FEATURES

Ramp-shaped depth gauges on each cutter



CUTTER SEQUENCE

Standard sequence: 72LGX, 73LGX, 75LGX
Skip sequence: 72JGX, 73JGX, 75JGX

72LGX F&B A107022 AG 1108

72LGX, 73LGX, and 75LGX SUPER GUARD® CHAINS

OREGON® 72LGX, 73LGX, and 75LGX (3/8"-pitch Super Guard®) chains feature cutters that have an advanced grind geometry that is "work ready". This series saw chain is only for professionals who demand saw chain that delivers high performance, resists stretch, simple to maintain, provides long life, and is consistent from loop to loop.



Features

Benefits

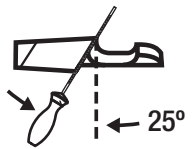
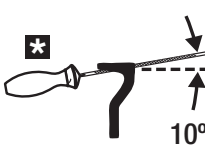
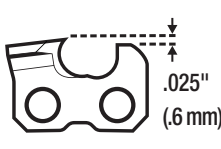
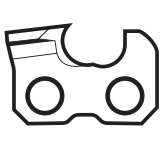
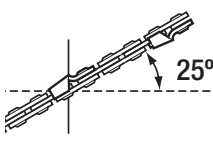
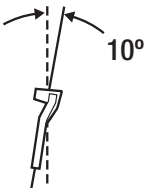
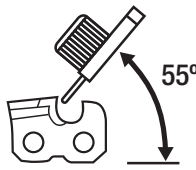
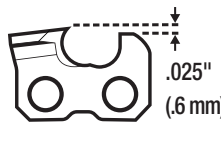
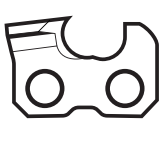
Advanced grind geometry	<ul style="list-style-type: none"> Significantly enhanced out-of-box grind No out-of-box maintenance needed Superior cutting efficiency, less force-feed required Improved fuel economy
Blued cutters	<ul style="list-style-type: none"> Superior corrosion resistance Base-cutter hardness consistency Pro-lock Improved strength
Tumbled parts	<ul style="list-style-type: none"> Smooth finish Improved joint articulation, combats tight joints
Offset ramp-shaped depth gauges	<ul style="list-style-type: none"> Offset reduces roughness, helps prevent cutter from diving into the sidewall of the cut The ramped shape reduces kickback energies without affecting performance
Clean ground gullets	<ul style="list-style-type: none"> Increases chip flow, less chain clogging No out-of-the box filing needed
Long, high-strength cutter top plate	<ul style="list-style-type: none"> Resists breakage Longer cutter life
Top-plate-angle witness mark	<ul style="list-style-type: none"> Sharpening is easy and consistent, every time and serves as end-of-life indicator
LubriLink™ tie straps	<ul style="list-style-type: none"> More oil stays where it's needed: on the chain

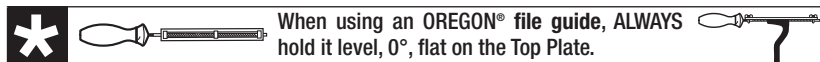
* patent pending



Choose Oregon®, because every cut counts

Visit the world's #1 source for information on chainsaw cutting attachments: www.oregonchain.com

FILING INSTRUCTIONS (without file guide)	A	B	C	D	
	TOP PLATE ANGLE	DOWN ANGLE		DEPTH GAUGE SETTING	FINISHED CUTTER
					
GRINDING INSTRUCTIONS	WISE ROTATE ANGLE	WISE TILT ANGLE	HEAD TILT ANGLE	DEPTH GAUGE SETTING	FINISHED CUTTER
					



WARNING Failure to follow filing instructions can increase the level of kickback which can result in severe injury to the saw operator or bystanders.

- * Do not exceed the depth-gauge setting shown above
- * Always file depth gauges back to their original rounded or ramped shape after lowering

WARNING OREGON® 72LGX/JGX, 73LGX/JGX, and 75LGX/JGX Super Guard® chains may be capable of kickback that could result in serious injury to the saw operator or bystanders. Although these chains have features designed to reduce kickback energies, these are NOT low-kickback chains. Do not use OREGON® 72LGX/JGX, 73LGX/JGX, or 75LGX/JGX Super Guard® chains unless you have experience and specialized training for dealing with kickback. Saw chain with lower kickback potential is available.

Maintenance Tools						
File Size	Assembled File Guide	Round Files	Depth Gauge Tool, .025"	Flat File	Bench Grinder Wheel 5 3/4"	Mini Grinder Wheel, 4 1/4"
7/32" (5.6mm)	31686 (EA.)	70502 (12-PK.) 40458 (2-PK.)	31941 (10-PK.)	12211 (12-PK.)	OR534-316 (3/16" Thick)	OR4125-316 (3/16" Thick)

Chain Replacement Parts					
Chain Type	Left-hand Cutter	Right-hand Cutter	Tie Strap	Preset Tie Strap	Drive Link
72LGX/JGX	P26197 (25-PK.)	P26198 (25-PK.)	P23837 (25-PK.)	P23910 (25-PK.)	P65715 (25-PK.)
73LGX/JGX	P26197 (25-PK.)	P26198 (25-PK.)	P23837 (25-PK.)	P23910 (25-PK.)	P68183 (25-PK.)
75LGX/JGX	P26197 (25-PK.)	P26198 (25-PK.)	P23837 (25-PK.)	P23921 (25-PK.)	P30927 (25-PK.)

Which cutter sequence is best, standard or skip?	
What type of cutting do you do?	The cutter sequence to use:
I cut "non-fibrous" woods of average size, with guide bars up to 24"	Standard sequence (72LGX, 73LGX, 75LGX)
I cut fibrous woods, such as cedar or hemlock	Skip sequence (72JGX, 73JGX, 75JGX)
I cut large wood using very long bars, approximately 28" or longer	Skip sequence (72JGX, 73JGX, 75JGX)

Do you cut wood in dirty or abrasive conditions?

If you cut abrasive woods such as railroad ties, skidded wood, fire damaged areas, partially logged areas after a skidder, or any place where wood is dirty, we recommend you use the MultiCut™ versions of OREGON® chains. MultiCut™ chains have extra-heavy-duty chrome plating applied with an advanced plating process to withstand these kinds of tough, dirty conditions. It also allows you to maintain your saw chain without the need of any special tools. Contact OREGON® or your authorized OREGON® distributor for further information on MultiCut™ chains.

Standard Chain Part No.	Multicut Part No.
72LGX	M72LPX
73LGX	M73LPX
75LGX	M75LPX

(LGX not available in Multicut)

For more information on these and other OREGON® products, contact your authorized OREGON® distributor, or:



OREGON® | BLOUNT, INC. PO Box 22127 · Portland, OR, U.S.A. 97269-2127
Phone: 503-653-8881 Fax: 503-653-4201 Web: www.oregonchain.com

IN CANADA: OREGON® DISTRIBUTION LTD. 505 Edinburgh Rd. N., Guelph, Ontario, Canada N1H 6L4
Phone: 519-822-6870 Fax: 519-822-4999

Printed in USA 72LGX F&B A107022 AG 1108

Free Manuals Download Website

<http://myh66.com>

<http://usermanuals.us>

<http://www.somanuals.com>

<http://www.4manuals.cc>

<http://www.manual-lib.com>

<http://www.404manual.com>

<http://www.luxmanual.com>

<http://aubethermostatmanual.com>

Golf course search by state

<http://golfingnear.com>

Email search by domain

<http://emailbydomain.com>

Auto manuals search

<http://auto.somanuals.com>

TV manuals search

<http://tv.somanuals.com>