



## REPLACEMENT PARTS FOR THE 511A AND 511A-BC BENCH GRINDERS

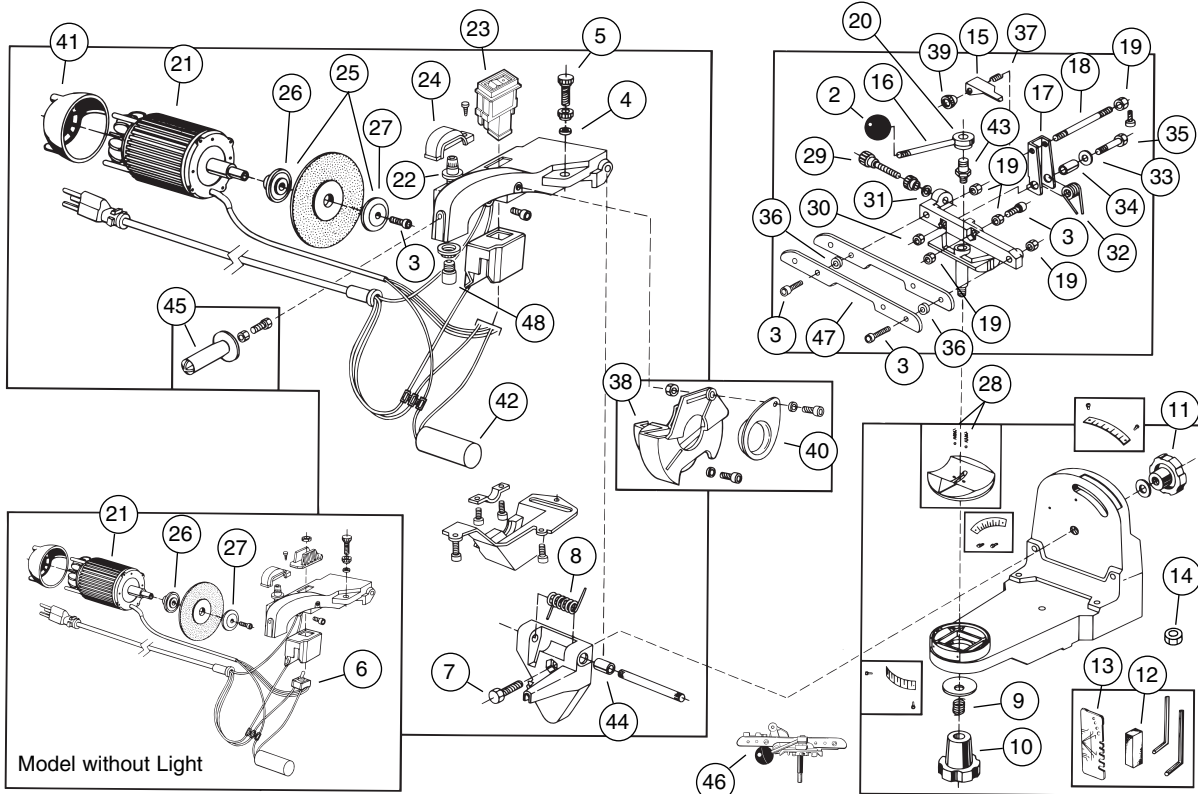
Only those components with an item number are offered as replacement parts.

**NOTE 1:** Be aware that there is an "old style" 511A grinder (without light) and a "new style" 511A grinder (with light).

**NOTE 2:** \*The Chain Stop Holder (17) and Vise Jaw Plate (47) are different on the 511A-BC grinder's 3/4"-pitch vise. Contact the Oregon® technical services department for these 3/4" parts.

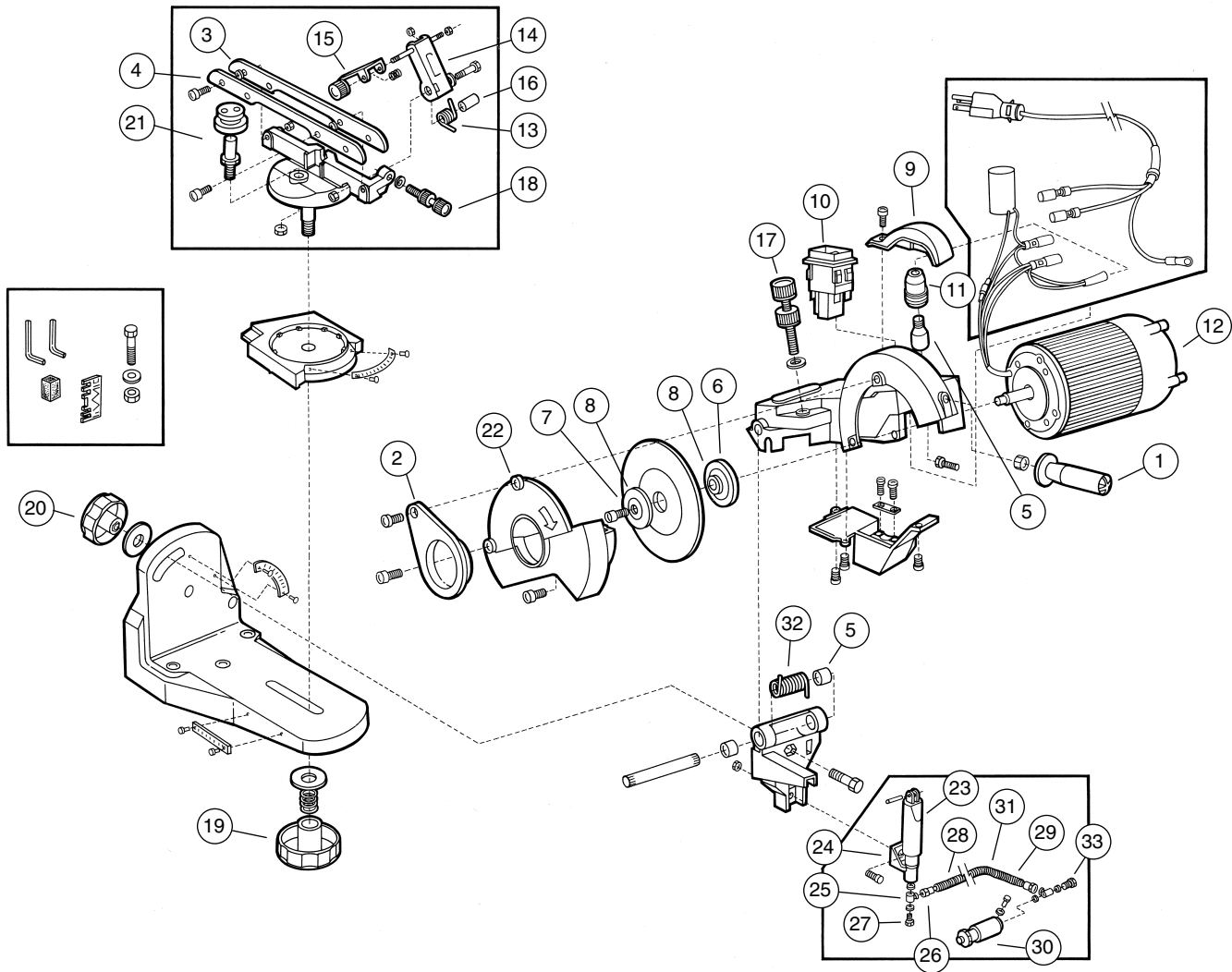
Item No.	Part No.	Description	W/O Light	With Light
2	32682	KNOB	●	●
3	35584	SCREW	●	●
4	35585	WASHER	●	●
5	35586	SCREW	●	●
6	35587	SWITCH 115V (on older models only)	●	
7	35588	SCREW	●	●
8	35589	SPRING	●	●
9	35590	JAW SPRING	●	●
10	109245	KNOB (LONG)	●	●
11	109246	KNOB (SHORT)	●	●
12	DB-2	DRESSING BRICK	●	●
13	35596	WHEEL-CONTOUR TEMPLATE	●	●
14	35597	NUT	●	●
15	32677	CHAIN STOP	●	●
16	35598	CAM LOCK HANDLE	●	●
17	35599	CHAIN STOP HOLDER*	●	●
18	35600	CHAIN STOP SHAFT	●	●
19	35601	NUT	●	●
20	35602	RETAINER RING	●	●
21	108195	MOTOR 115V W/WIRES		●
22	108196A	LIGHT SOCKET W/WIRES		●
23	109879	POWER SWITCH, 115V		●
24	108199	SOCKET COVER		●
25	108924	MOTOR FLANGE KIT (OUTER & INNER)	●	●

Item No.	Part No.	Description	W/O Light	With Light
26	108925	MOTOR FLANGE (INNER)		●
27	108926	MOTOR FLANGE (OUTER)		●
28	32678	SPRING AND BALL	●	●
29	35603	SCREW	●	●
30	35604	NUT*	●	●
31	35605	RUBBER WASHER	●	●
32	35606	CHAIN STOP SPRING	●	●
33	35607	WASHER	●	●
34	35608	BUSHING	●	●
35	35609	BOLT	●	●
36	35610	CHAIN VISE SPACER	●	●
37	32681	PAWL CENTERING SPRING	●	●
38	105653	PLASTIC SHIELD	●	●
39	36854	PAWL ADJUSTMENT KNOB	●	●
40	105654	SHIELD KIT	●	●
41	37947	END MOTOR BELL	●	●
42	37948	CAPACITOR - 115 VOLT	●	●
43	37951	CAM POST	●	●
44	37952	BRONZE BUSHING	●	●
45	105538	HANDLE KIT	●	●
46	110597	VISE ASSEMBLY FOR 511A	●	●
47	107637	VISE JAW PLATE*		●
48	112055	LIGHT BULB, 115V (Same as GE #15T7)		●





## REPLACEMENT PARTS FOR THE BENCH GRINDER WITH HYDRAULIC ASSIST (P/N 109179)

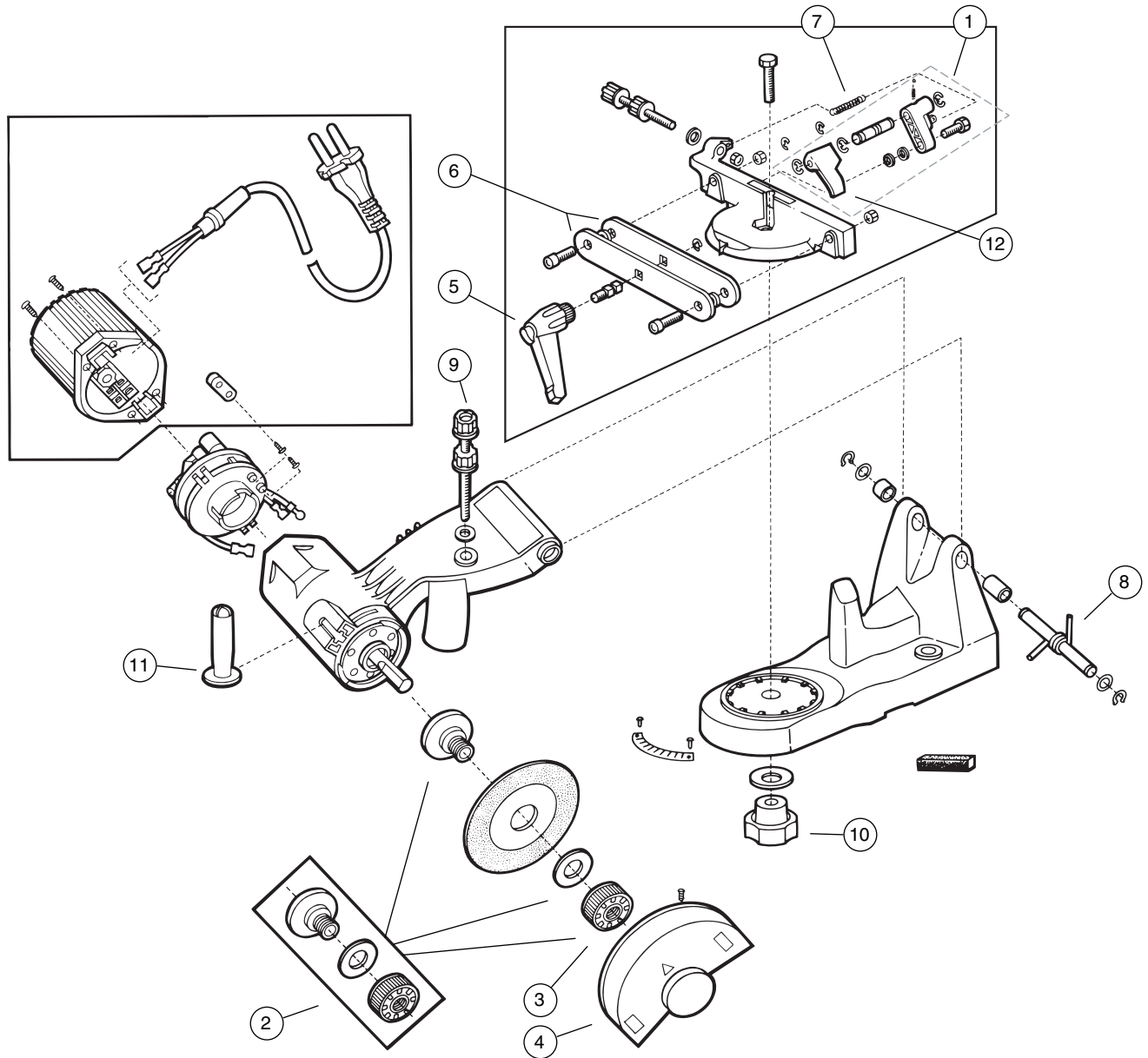


Item No.	Part No.	Description
1	105538	HANDLE KIT
2	105654	SHIELD KIT
3	107637	WISE PLATE
4	35610	CHAIN VISE SPACER
5	112055	REPLACEABLE LIGHTBULB (115V)
6	108925	MOTOR FLANGE INNER
7	108926	MOTOR FLANGE OUTER
8	108924	MOTOR FLANGE KIT (INNER AND OUTER)
9	108199	SOCKET COVER
10	109879	POWER SWITCH, 115V
11	108196A	LIGHT SOCKET W/WIRES
12	108195	MOTOR ELECTRIC 115 VT. W/WIRES
13	35606	CHAIN STOP SPRING
14	35599	CHAIN STOP HOLDER
15	32677	CHAIN STOP
16	35608	BUSHING
17	109243	KNOB KIT, HEIGHT ADJUSTMENT

Item No.	Part No.	Description
18	109244	ADJUSTMENT SCREW, CHAIN POSITION STOP
19	109245	WISE CRADLE ADJUSTMENT KNOB
20	109246	POSITION ADJUSTMENT KNOB MOTOR SUPPORT ARM
21	109247	ADJUSTABLE CAM, VISE POSITION
22	109248	METAL SHIELD, WHEEL HOUSING
23	109249	CYLINDER HYDRAULIC RESERVOIR
24	109250	RESERVOIR SUPPORT BRACKET
25	109251	SWIVEL FITTING, HYDRAULIC
26	109252	WASHER/SEAL
27	109253	BOLT, SWIVEL ATTACHMENT
28	109254	HYDRAULIC SYSTEM LINE
29	109255	FLEX SHIELD, HYDRAULIC LINE
30	109256	HYDRAULIC ACTUATOR, VISE POSITIONING
31	111217	COMPLETE HYDRAULIC LINE ASS'Y
32	110703	MOTOR MOUNT ARM SPRING
33	110595	RESTRICTOR VALVE



## REPLACEMENT PARTS FOR THE 115-VOLT BENCH MOUNTED MINI GRINDER (P/N 108181)



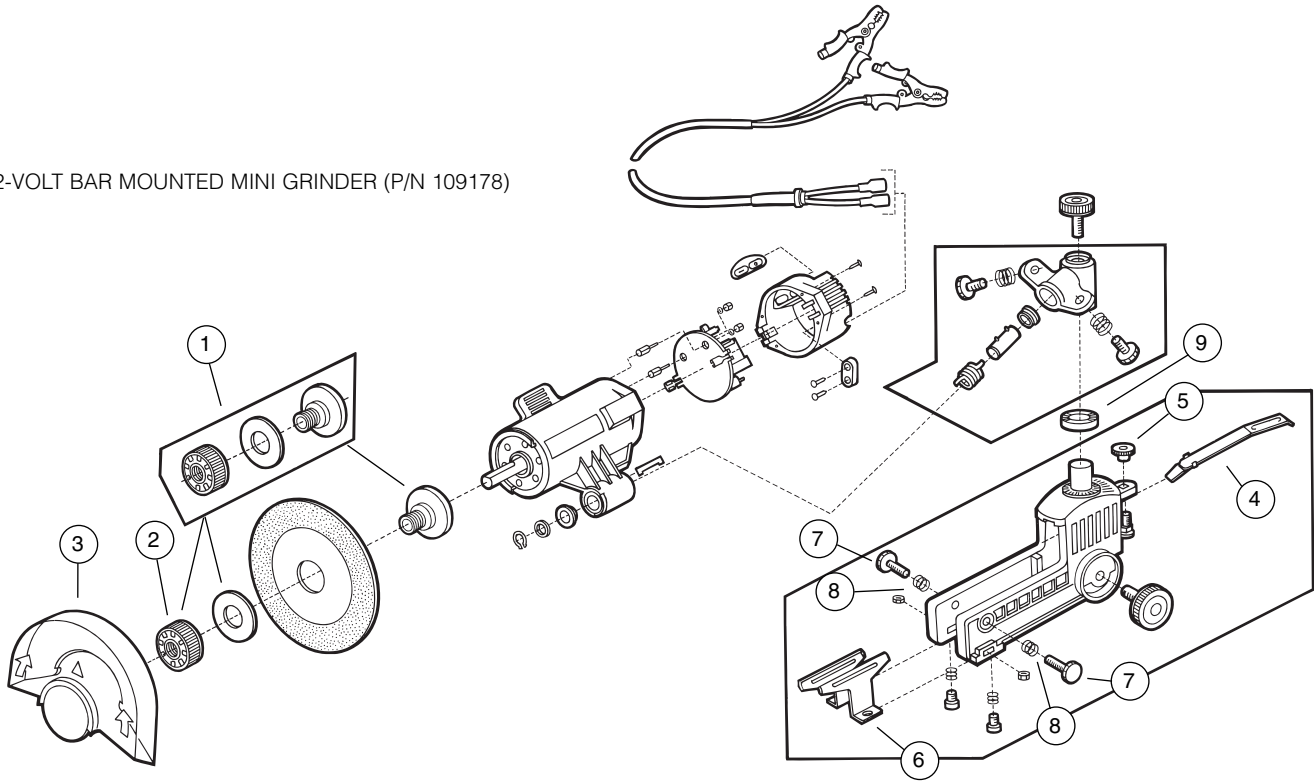
Item No.	Part No.	Description
1	110579	CHAIN STOP RETROFIT KIT
2	111941	ALUMINUM ARBOR RETROFIT KIT
3	109169	PLASTIC FLANGE, OUTER
4	109170	PLASTIC GUARD/SHIELD
5	109171	VISE POSITION/TENSION ADJUSTMENT KNOB

Item No.	Part No.	Description
6	109172	VISE PLATE, MINI GRINDER
7	109174	RETURN SPRING, CHAIN ADVANCE
8	109175	RETURN SPRING, GRIND LEVER
9	108205	KNOB KIT, HEIGHT ADJUSTMENT
10	108290	KNOB
11	105538	HANDLE KIT
12	32677	CHAIN STOP

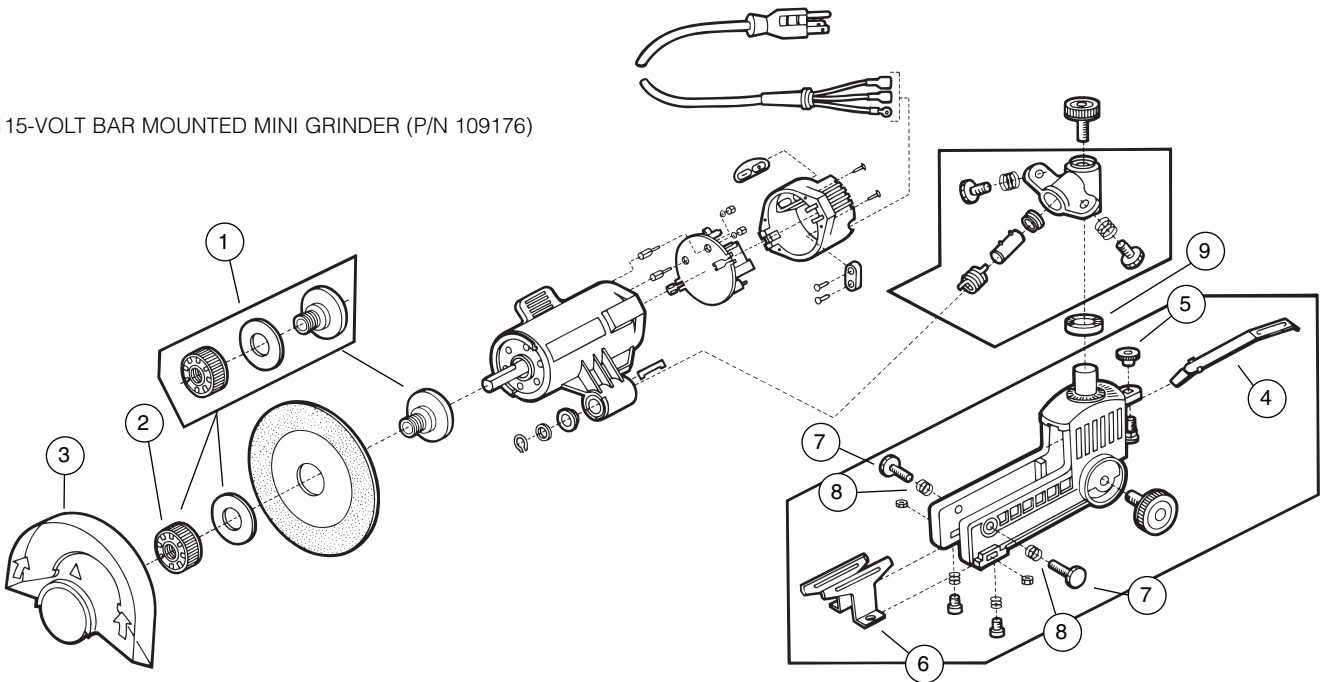


## REPLACEMENT PARTS FOR THE BAR-MOUNTED MINI GRINDERS

12-VOLT BAR MOUNTED MINI GRINDER (P/N 109178)



115-VOLT BAR MOUNTED MINI GRINDER (P/N 109176)



Item No.	Part No.	Description
1	111941	ALUMINUM ARBOR RETRO FIT KIT
2	109169	PLASTIC FLANGE, OUTER
3	109170	PLASTIC GUARD/SHIELD
4	108206	STOP SPRING

Item No.	Part No.	Description
5	108207	MOUNT ADJUSTMENT NUT, STOP SPRING
6	108208	JAW PLATE
7	108209	ADJUSTMENT KNOB, JAW PLATE/STOP
8	108210	TENSION SPRING, JAW PLATE/STOP
9	108289	SWIVEL EXTENSION BLOCK

## Free Manuals Download Website

<http://myh66.com>

<http://usermanuals.us>

<http://www.somanuals.com>

<http://www.4manuals.cc>

<http://www.manual-lib.com>

<http://www.404manual.com>

<http://www.luxmanual.com>

<http://aubethermostatmanual.com>

Golf course search by state

<http://golfingnear.com>

Email search by domain

<http://emailbydomain.com>

Auto manuals search

<http://auto.somanuals.com>

TV manuals search

<http://tv.somanuals.com>