
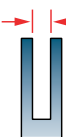




Forestry Products

CHAIN PITCH AND GAUGE

PITCH  3/8"

GAUGE  91VX .050"

KICKBACK - ANSI CLASSIFICATION



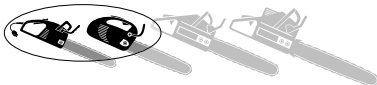
91VX saw chain may be capable of kickback that could result in serious injury to the saw operator or bystanders. Do not use this saw chain unless you have experience and specialized training for dealing with kickback. Saw chain with reduced kickback potential is available.

RECOMMENDED TYPES OF USE



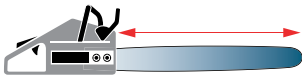
Commercial

RECOMMENDED SAW SIZES



91 VX is intended for use with electric saws and smaller gasoline-powered saws up to 2.5 cu. in. (41cc)

RECOMMENDED BAR LENGTHS



10 in. to 18 in. (25 to 46 cm)

KICKBACK-REDUCING FEATURES

Ramp-shaped depth gauges on each cutter

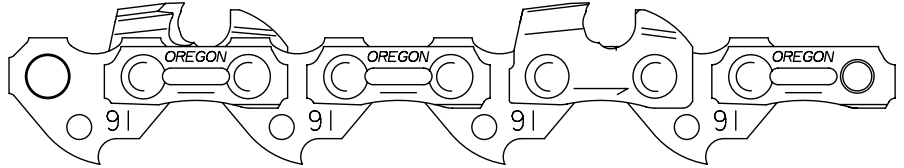


CUTTER SEQUENCE

Standard sequence: 91VX

91VX SAW CHAIN

Oregon® 91VX saw chain features top performing Chamfer Chisel™ cutters. The twin corners of the cutters on 91VX chain deliver superior performance on the many popular saws which use low-profile 3/8"-pitch chain.



Features

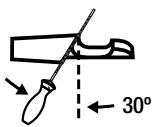
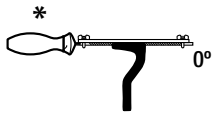
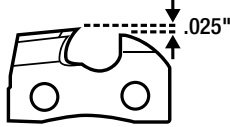
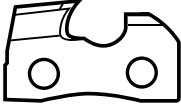
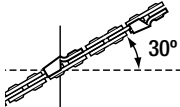

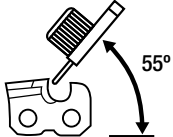
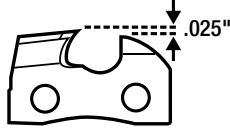
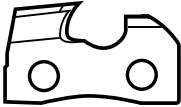
Benefits

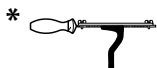
Advanced geometry grind	<ul style="list-style-type: none"> Improved out-of-box grind Dramatic speed improvements in all cutting modes Extreme cutting efficiency, less feed force required
Chamfer Chisel™ cutters with special shaped low-vibration heels	<ul style="list-style-type: none"> Twin cutting corners offering outstanding performance, durability and easy maintenance Less vibration than competitive chains
Ramp-shaped depth gauges	<ul style="list-style-type: none"> The ramp-shape reduces kickback energies without affecting performance
Blued cutters	<ul style="list-style-type: none"> Superior corrosion resistance Base-cutter hardness consistency
Sharpens with standard 5/32" round file and file guide	<ul style="list-style-type: none"> Easy hand maintenance
Vibe-Ban™	<ul style="list-style-type: none"> Reduces vibration 25% or more at the saw handle
LubriLink™	<ul style="list-style-type: none"> Help keep oil where it's needed - on the chain Directs oil to the critical rivet flange/hole interface
Lubriwell™	<ul style="list-style-type: none"> Help carry oil around the full length of the guide bar's groove Enhances lubrication of the bar nose sprocket and bearings



Choose Oregon®, because every cut counts

Visit the world's #1 source for information on chainsaw cutting attachments: www.oregonchain.com

FILING INSTRUCTIONS	A TOP PLATE ANGLE	B DOWN ANGLE*	C	D DEPTH GAUGE SETTING	FINISHED CUTTER
					
GRINDING INSTRUCTIONS	WISE ROTATE ANGLE	WISE TILT ANGLE	HEAD TILT ANGLE	DEPTH GAUGE SETTING	FINISHED CUTTER
					



When using an Oregon® file guide, ALWAYS hold it level, 0°, flat on the Top Plate.

WARNING Failure to follow filing instructions can increase the level of kickback which can result in severe injury to the saw operator or bystanders.

- * Do not exceed the depth-gauge setting shown above
- * Always file depth gauges back to their original rounded or ramped shape after lowering

WARNING Oregon® 91 VX saw chains may be capable of kickback that could result in serious injury to the saw operator or bystanders. Although these chains have features designed to reduce kickback energies, these are NOT low-kickback chains. Do not use Oregon® 91 VX chains unless you have experience and specialized training for dealing with kickback. Saw chain with lower kickback potential is available.

Maintenance Tools

File Size	Assembled File Guide	Round Files	Depth Gauge Tool, .025"	Flat File	Grinding Wheel 5 3/4" Diameter	Grinding Wheel 4 1/8" Diameter
5/32" (4mm)	37534 (EA.)	70504 (12-PK.) 40459 (2-PK.)	22290 (10-PK.)	12211 (12-PK.)	OR534-18 1/8" Thick	OR4125-18 1/8" Thick

Chain Replacement Parts

Chain Type	Left-hand Cutter	Right-hand Cutter	Tie Strap	Preset Tie Strap	Drive Link
91VX	P21693 (25-PK)	P21694 (25-PK)	P24295 (25-PK)	P25068 (25-PK)	P21721 (25-PK)

DO YOU CUT WOOD IN DIRTY OR ABRASIVE CONDITIONS?

If you cut abrasive woods such as railroad ties, or if you cut in the following kinds of locations: sandy areas, partially logged areas after skidder extraction, fire-damaged areas, or any place where the wood has become dirty – then you may prefer the MultiCut™ versions of Oregon® chains. MultiCut™ chains have extra-heavy-duty chrome plating applied with an advanced plating process to withstand these kinds of tough dirty conditions. Contact Oregon® or your authorized Oregon® distributor for further information on MultiCut™ chains.

Standard Chain Part No.	Multicut Part No.
91VX	M91VX



For more information on these and other Oregon® products, contact your authorized Oregon® distributor, or:
OREGON CUTTING SYSTEMS DIVISION, BLOUNT, INC. PO Box 22127 · Portland, OR, U.S.A. 97269-2127
 Phone: 503-653-8881 Fax: 503-653-4201 Web: <http://www.oregonchain.com>
IN CANADA: OREGON DISTRIBUTION LTD. 505 Edinburgh Rd. N., Guelph, Ontario, Canada N1H 6L4
 Phone: 519-822-6870 Fax: 519-822-4999 Printed in USA 91VX F&B A107040 AB 1007

Free Manuals Download Website

<http://myh66.com>

<http://usermanuals.us>

<http://www.somanuals.com>

<http://www.4manuals.cc>

<http://www.manual-lib.com>

<http://www.404manual.com>

<http://www.luxmanual.com>

<http://aubethermostatmanual.com>

Golf course search by state

<http://golfingnear.com>

Email search by domain

<http://emailbydomain.com>

Auto manuals search

<http://auto.somanuals.com>

TV manuals search

<http://tv.somanuals.com>