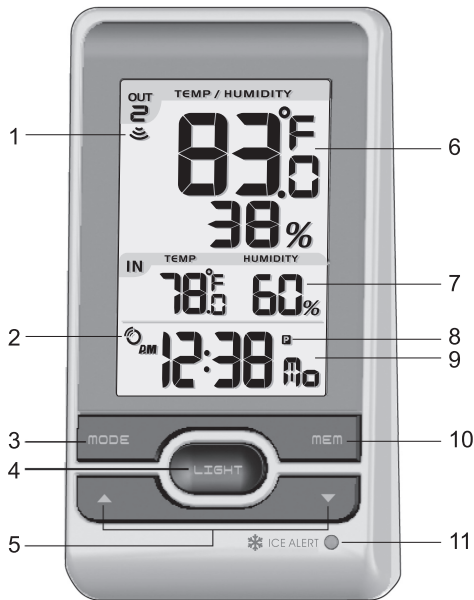


## Temperature and Humidity Station with Atomic Time Model: RMR203HGA USER MANUAL

EN

### OVERVIEW

#### FRONT VIEW (FIG 1)

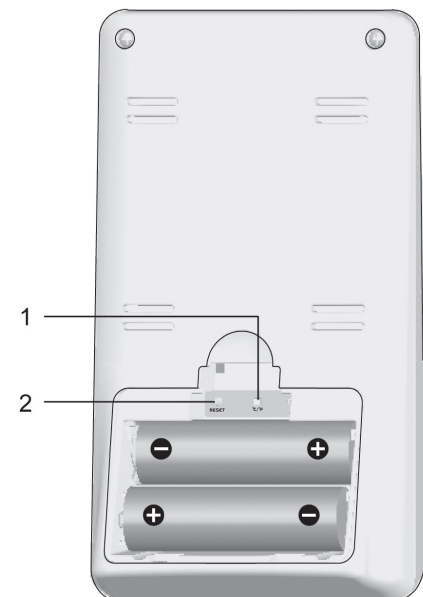


1. Remote sensor reception indicator
2. Clock signal reception indicator
3. **MODE**: Change settings / display
4. **LIGHT**: Activate backlight for 5 seconds
5. ▲ / ▼: Increase / decrease settings; activate / deactivate clock reception signal
6. Outdoor temperature and humidity

**NOTE** Wireless sensor included does not include humidity. To receive outdoor humidity you need a wireless sensor with the humidity function.

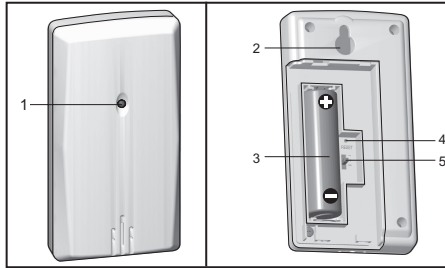
7. Indoor temperature and humidity
8. Time zone
9. Clock with weekday
10. **MEM**: View current, maximum, minimum temperature / humidity
11. Ice alert LED indicator

#### BACK VIEW (FIG 2)



1. °C / °F: Select temperature unit
2. **RESET**: Reset unit to default settings

#### REMOTE SENSOR (FIG 3)



1. LED status indicator
2. Wall mount hole
3. Battery compartment
4. **RESET** hole
5. **CHANNEL** switch

### GETTING STARTED

#### INSERT BATTERIES

1. Remove the battery compartment.
2. Insert the batteries, matching the polarities (see FIG 2).

| LOCATION                              | MEANING                 |
|---------------------------------------|-------------------------|
| Clock / alarm                         | Main unit batteries low |
| Outdoor temperature and humidity area | Sensor batteries low    |

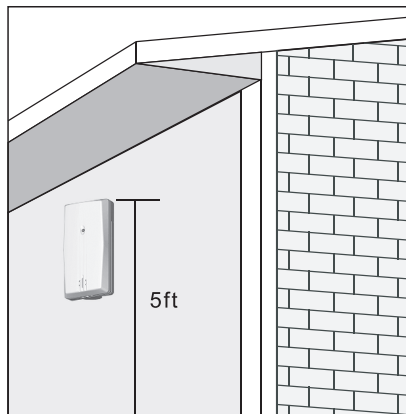
#### REMOTE SENSOR

The main unit can collect data from up to 3 sensors.

##### To set up the sensor:

1. Open the battery compartment (see FIG 3).
2. Select a channel then press **RESET**.
3. Close the battery door.
4. Place the sensor within 30 m (98 ft) of the main unit using the table stand or wall mount.

**TIP** Ideal placements for the sensor would be in any location on the exterior of the home at a height of not more than 5 ft and which can shield it from direct sunlight or wet conditions for an accurate reading.



**NOTE** Use alkaline batteries for longer usage and consumer grade lithium batteries in temperatures below freezing.

#### SENSOR DATA TRANSMISSION

##### To search for a sensor:

Press and hold ▲ + **MODE** simultaneously.

The sensor reception icon in the remote sensor area shows the status:

| ICON | DESCRIPTION                           |
|------|---------------------------------------|
|      | Main unit is searching for sensor(s). |
|      | A channel has been found.             |
|      | The sensor cannot be found.           |

**TIP** The transmission range may vary depending on many factors. You may need to experiment with various locations to get the best results.

### CLOCK

#### CLOCK RECEPTION

This product is designed to synchronize its clock automatically with WWVB-60 signal, within 3200km (2000 miles) of Fort Collins Colorado.

##### To enable / disable signal reception:

Press and hold ▲ to enable or ▼ to disable signal reception.

**NOTE** Reception takes 2-10 minutes. If the signal is weak, it can take up to 24 hours to get a valid signal. If signal reception is unsuccessful, place your unit next to a window, press and hold ▲ to force another signal search.

##### Clock signal reception indicator:

| STRONG SIGNAL | WEAK SIGNAL | NO SIGNAL |
|---------------|-------------|-----------|
|               |             |           |

#### MANUALLY SET CLOCK

To set the clock manually, disable the signal reception first.

1. Press and hold **MODE**.
2. Press ▲ or ▼ to change the settings.
3. Press **MODE** to confirm.
4. The settings order is: time zone, 12/24 hr format, hour, minute, year, calendar mode (day – month / month – day), month, day and language.

Select the time zone: (P) Pacific, (E) Eastern, (C) Central or (M) Mountain.

**NOTE** The language options are English (E), German (D), French (F), Italian (I), and Spanish (S).

##### To select display mode:

Press **MODE** to choose between clock with seconds / weekday / calendar.

### TEMPERATURE AND HUMIDITY

#### To toggle temperature unit:

Press °C / °F.

#### To auto-scan between sensors:

Press and hold ▼ + **MEM** to display each sensor's data for 3 seconds.

To end press ▲.

#### To toggle between current, minimum and maximum records for the selected sensor:

Press **MEM** repeatedly.

#### To clear the records:

Press and hold **MEM**.

#### ICE WARNING

If the channel 1 sensor falls between 3°C to -2 °C (37°F to 28°F), LED indicator will flash, and will stop flashing once the temperature is out of this range.

#### BACKLIGHT

Press **LIGHT** to activate backlight for 5 seconds.

#### RESET

Press **RESET** to return to the default settings.

#### PRECAUTIONS

- Do not subject the unit to excessive force, shock, dust, temperature or humidity.
- Do not cover the ventilation holes with any items such as newspapers, curtains etc.
- Do not immerse the unit in water. If you spill liquid over it, dry it immediately with a soft, lint-free cloth.
- Do not clean the unit with abrasive or corrosive materials.
- Do not tamper with the unit's internal components. This invalidates the warranty.
- Only use fresh batteries. Do not mix new and old batteries.
- Images shown in this manual may differ from the actual display.

- When disposing of this product, ensure it is collected separately for special treatment.
- Placement of this product on certain types of wood may result in damage to its finish for which Oregon Scientific will not be responsible. Consult the furniture manufacturer's care instructions for information.
- The contents of this manual may not be reproduced without the permission of the manufacturer.
- Do not dispose old batteries as unsorted municipal waste. Collection of such waste separately for special treatment is necessary.
- Please note that some units are equipped with a battery safety strip. Remove the strip from the battery compartment before first use.

**NOTE** The technical specifications for this product and the contents of the user manual are subject to change without notice.

## SPECIFICATIONS

| TYPE                         | DESCRIPTION                                   |
|------------------------------|---|
| <b>MAIN UNIT</b>             |   |
| L x W x H                    | 73 x 47 x 132.5 mm<br>(2.87 x 1.85 x 5.22 in) |
| Weight                       | 241 g (8.5 oz) without battery                |
| Temperature range            | -5°C to 50°C (23°F to 122°F)                  |
| Resolution                   | 0.1°C (0.2°F)                                 |
| Signal frequency             | 433 MHz                                       |
| Humidity range               | 25% - 95%                                     |
| Humidity resolution          | 1%  |
| Power                        | 2 x UM-3 (AA) 1.5 V batteries                 |
| <b>REMOTE UNIT (THN132N)</b> |   |
| L x W x H                    | 96 x 50 x 22 mm<br>(3.78 x 1.97 x 0.87 in)    |
| Weight                       | 62 g (2.22 ounces)                            |
| Transmission range           | 30 m (98 ft) unobstructed                     |
| Temperature range            | -20°C to 60°C (-4°F to 140°F)                 |
| Power                        | 1 x UM-3 (AA) 1.5 V batteries                 |

## ABOUT OREGON SCIENTIFIC

Visit our website ([www.oregonscientific.com](http://www.oregonscientific.com)) to learn more about Oregon Scientific products. If you're in the US and would like to contact our Customer Care department directly, please visit: [www2.oregonscientific.com/service/support](http://www2.oregonscientific.com/service/support)

OR

Call 1-800-853-8883.

For international inquiries, please visit: [www2.oregonscientific.com/about/international](http://www2.oregonscientific.com/about/international)

## FCC STATEMENT

This device complies with Part 15 of the FCC Rules. Operation is subject to the following two conditions: (1) This device may not cause harmful interference, and (2) This device must accept any interference received, including interference that may cause undesired operation.

**WARNING** Changes or modifications not expressly approved by the party responsible for compliance could void the user's authority to operate the equipment.

**NOTE** This equipment has been tested and found to comply with the limits for a Class B digital device, pursuant to Part 15 of the FCC Rules. These limits are designed to provide reasonable protection against harmful interference in a residential installation.

This equipment generates, uses and can radiate radio frequency energy and, if not installed and used in accordance with the instructions, may cause harmful interference to radio communications. However, there is no guarantee that interference will not occur in a particular installation. If this equipment does cause harmful interference to radio or television reception, which can be determined by turning the equipment off and on, the user is encouraged to try to correct the interference by one or more of the following measures:

- Reorient or relocate the receiving antenna.
- Increase the separation between the equipment and receiver.
- Connect the equipment into an outlet on a circuit different from that to which the receiver is connected.
- Consult the dealer or an experienced radio / TV technician for help.

## DECLARATION OF CONFORMITY

The following information is not to be used as contact for support or sales. Please call our customer service number (listed on our website at [www.oregonscientific.com](http://www.oregonscientific.com), or on the warranty card for this product) for all inquiries instead.

## We

Name: Oregon Scientific, Inc.  
Address: 19861 SW 95<sup>th</sup> Ave., Tualatin,  
Oregon 97062 USA  
Telephone No.: 1-800-853-8883

## declare that the product

Product No.: RMR203HGA  
Product Name: Temperature and Humidity  
Station with Atomic Time  
Manufacturer: IDT Technology Limited  
Address: Block C, 9/F, Kaiser Estate,  
Phase 1, 41 Man Yue St.,  
Hung Hom, Kowloon,  
Hong Kong

is in conformity with Part 15 of the FCC Rules. Operation is subject to the following two conditions: 1) This device may not cause harmful interference. 2) This device must accept any interference received, including interference that may cause undesired operation.

## Free Manuals Download Website

<http://myh66.com>

<http://usermanuals.us>

<http://www.somanuals.com>

<http://www.4manuals.cc>

<http://www.manual-lib.com>

<http://www.404manual.com>

<http://www.luxmanual.com>

<http://aubethermostatmanual.com>

Golf course search by state

<http://golfingnear.com>

Email search by domain

<http://emailbydomain.com>

Auto manuals search

<http://auto.somanuals.com>

TV manuals search

<http://tv.somanuals.com>