

Oregon QUICK START GUIDE

SCIENTIFIC WR601 NOAA WEATHER ALERT RADIO

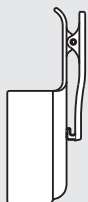
NATIONAL WEATHER SERVICE

The National Weather Service (NWS) is one of the six scientific agencies that make up the National Oceanic and Atmospheric Administration (NOAA). It provides weather, hydrologic, and climate forecasts and warnings for the United States, its territories, adjacent waters and ocean areas. NOAA All Hazards Weather Radio (NWR) is a nationwide network of radio stations broadcasting continuous NWS warnings, watches, forecasts and other hazard information 24 hours a day.

A UNPACK



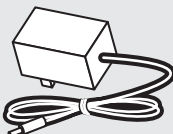
WR601 Radio



Carrying Holder



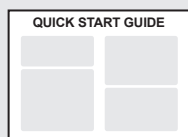
Cradle



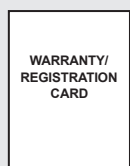
Adapter



User Manual



Quick Start Guide

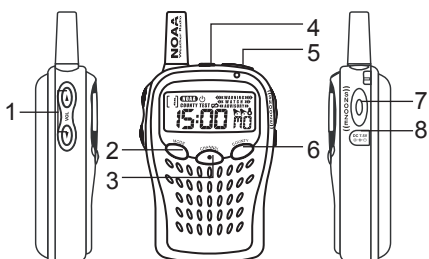


Warranty /
Registration card

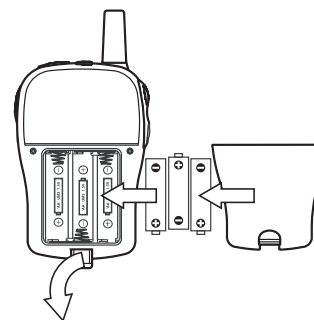


3 "AA" Alkaline
Batteries

B GETTING STARTED



- UP / DOWN** volume button
- MODE** button
- CHANNEL** button
- SP jack
- NOAA** button
- COUNTY** button
- SNOOZE** button
- AC/DC power port



Insert Batteries

- The radio will activate automatically once 3 "AA" batteries are inserted.
- The radio cannot be deactivated, to turn the LCD display ON or OFF, press and hold the **NOAA** button for 2 seconds.

Batteries are recommended for travel use. While at home or in the office, use the AC adapter to conserve battery power.

Set Clock and Calendar

Once the unit powers on, you will need to set the time and date.

- Press the **UP** or **DOWN** buttons to choose the setting. Press and hold **UP** or **DOWN** to scroll quickly through the setting.
- Press the **MODE** button to confirm.
- The settings order is: 12/24 hr mode, hour, minute, year, month/day, day/month and language.



C ABOUT ALERT SYSTEMS

Emergency Alert System (EAS)

The emergency alert system uses the latest technology to broadcast important emergency information specific to certain areas. See www.fcc.gov/eb/eas/ for more information on the emergency alert system.

Early Warning Alert System

The NWR early warning system utilizes radio signals to alert users to environmental dangers. When the NWR airs urgent warnings, a digital encoding system known as SAME (Specific Area Message Encoding) allows the WR601 to sound an alert for only certain weather conditions or within a limited geographic area such as a county.

SAME technology filters out non-local emergency alerts, allowing you to monitor only local counties.

D FIND YOUR SAME CODE AND NWR FREQUENCY

IMPORTANT

To ensure accurate reception of all NWR and EAS events you must program the SAME codes and corresponding channels for your specific county or region.

NWS SAME Code and NWS Channel Frequency

The SAME code is a 6-digit number corresponding to a particular NWR transmitter. Each transmitter operates to one of 7 frequencies. The WR601 stores these frequencies in 7 preset channels. The NWS Channel for your area will broadcast weather information for your area 24 hours a day. You will know the correct channel is selected when you hear the weather broadcast.

Channel No	1	2	3	4	5	6	7
Frequency	162.400	162.425	162.450	162.475	162.500	162.525	162.550

For example, the table below shows SAME codes for Montana. Residents of Beaverhead County should program a SAME code of 030001 and the corresponding Channel number 7 (162.550 MHz).

ST.	County	SAME#	NWR Transmitter	Freq. MHz	Call	Watts
MT	Beaverhead	030001	Butte MT	162.550	WXL 79	100
MT	Big Horn	030003	Billings MT	162.550	WXL 27	400
MT	Blaine	030005	Havre MT	162.400	WXL 53	300
MT	Broadwater	030007	Helean MT	162.400	WXK 66	300

Obtain the NWS SAME Code and NWS Channel Frequency for your Area

Telephone: 1-888-NWR-SAME (1888-697-7263)

OR

Go to: www.nws.noaa.gov/nwr/indexnw.htm

E PROGRAM YOUR SAME CODE

The radio can be programmed to receive alerts from up to 6 specific different transmitters. If you do not program any SAME code, it will receive alerts from ALL transmitters on the selected channel.

Program SAME Codes

1. Press the **COUNTY** button.
2. Press **COUNTY** again.
3. Press and hold **COUNTY** for 2 seconds.
4. Press the **UP** and **DOWN** buttons to select the first digit of your SAME code.
5. Press **COUNTY** to confirm and move on to the next digit.



TIP For further information on selecting the SAME code for all areas in a particular county or state, please refer to your User Manual.

F SELECT NWS CHANNEL FREQUENCY

To receive alerts, you must also set the radio channel to match the NWS channel frequency.

1. Press the **CHANNEL** button for 2 seconds.
2. Press the **UP** and **DOWN** buttons to select the channel. When scrolling through the different channels, you will hear either static or the 24-hour weather broadcast. When the channel selected is broadcasting the weather information for your area, you have selected the correct channel.
3. Press **MODE** to confirm.

TIP Refer to Section D of this guide for information on how to find your channel frequency.

G TEST YOUR SIGNAL RECEPTION

The NWS office conducts a Required Weekly Test (RWT) of NOAA All Hazards Weather Radio every Wednesday between 11 AM and Noon (Central Time), when weather permits.

The RWT consists of the RWT SAME code, the 1050 MHz tone, and a short message explaining the test and the counties that the particular transmitter covers. If adverse weather prevents the test from being conducted on Wednesday, it is postponed until the next good weather day. If the test is not conducted by Friday, it is postponed until the following Wednesday.

The range for NWR reception is about 40 miles from the transmitter. However, many things affect reception.

NOTE Receipt of the NWR weekly test is the best way to ensure your product will have proper reception during an emergency. If you have problems receiving the weekly tests as indicated, please read through your User Manual and visit the NWR website (www.weather.gov/nwr/recept.htm) for more tips on better reception.

Free Manuals Download Website

<http://myh66.com>

<http://usermanuals.us>

<http://www.somanuals.com>

<http://www.4manuals.cc>

<http://www.manual-lib.com>

<http://www.404manual.com>

<http://www.luxmanual.com>

<http://aubethermostatmanual.com>

Golf course search by state

<http://golfingnear.com>

Email search by domain

<http://emailbydomain.com>

Auto manuals search

<http://auto.somanuals.com>

TV manuals search

<http://tv.somanuals.com>