

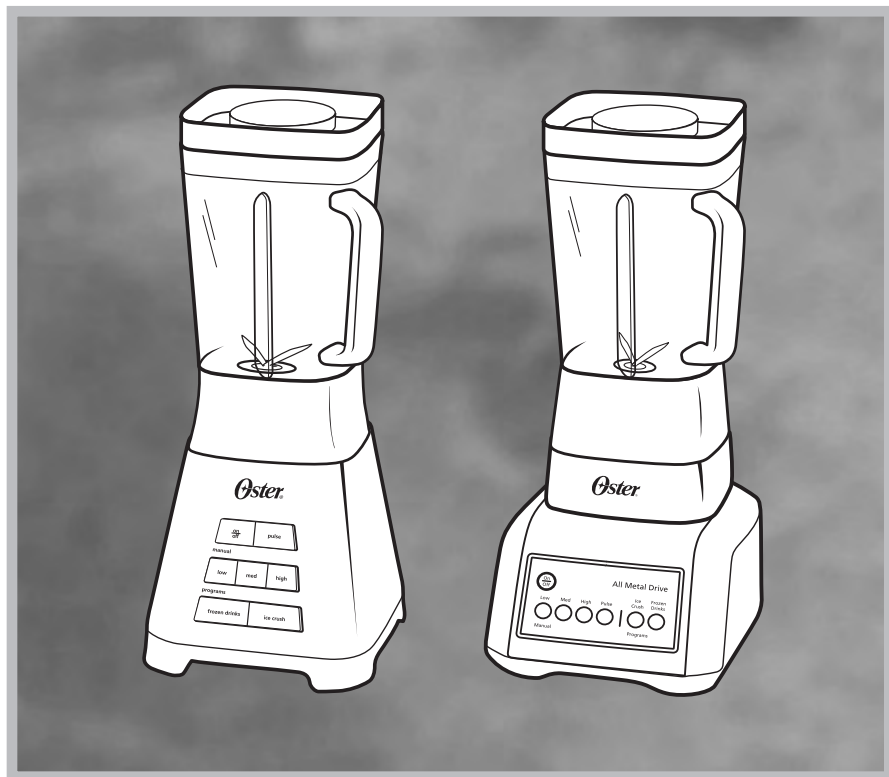
Oster®

User Manual
Manual de Instrucciones
Manuel d'Instructions

BLENDERS
LICUADORAS
MÉLANGEURS

MODELS/MODELOS
MODÈLES

Electronic Control
Designer Series



Visit us at www.oster.com

P.N. 139846

IMPORTANT SAFEGUARDS

When using electrical appliances, basic safety precautions should be followed, including the following:

READ ALL INSTRUCTIONS BEFORE USE

- Unplug cord from outlet when not in use or before cleaning.
- To protect against risk of electrical shock, do not immerse the cord, plug or motor base in water or any other liquids.
- Do not let cord hang over edge of table or counter or touch hot surfaces.
- Never leave appliance unattended when in use.
- Close supervision is necessary when used near children.
- Flashing Power Light indicates ready to operate. Avoid ANY contact with blades or moveable parts. Keep hands and utensils out of jar while blending to prevent personal injury or damage to the blender. A rubber spatula may be used only when the blender is not running.
- The blade is sharp. Handle with care.
- To reduce the risk of injury, never place cutter-assembly blades on base without jar properly attached.
- Always put the lid on the jar before operating the blender.
- Do not blend boiling liquids in the blender.
- When blending hot liquids, remove the flip-top spout cover from the lid. The steam from hot liquids may push lid off jar during blending. To prevent possible burns, do not fill jar beyond the 4 cup level. With the protection of oven mitt or towel, place one hand on top of lid. Keep exposed skin away from lid. Start blending at lowest speed.
- Do not operate any appliance with a damaged cord or plug, or after the appliance malfunctions or is dropped or damaged in any manner. Return the appliance to the nearest Authorized Sunbeam Appliance Service center for examination, repair or electrical or mechanical adjustment.
- Do not use outdoors or for commercial purposes; this appliance is for household use only.
- Use this appliance for its intended use as described in this manual. Do not use attachments that are not recommended by the manufacturer; they may cause injury.
- Always operate on a flat surface.
- Unplug the blender when it is not in use, before taking off or putting on parts and before cleaning.
- The use of attachments not made by OSTER® products, including canning or ordinary jar and processing assembly parts, is not recommended by Sunbeam Products, Inc., and may cause injury to persons.

THIS PRODUCT IS FOR HOUSEHOLD USE ONLY

The maximum rating marked on the product is based on the attachment that draws the greatest load. Other attachments may draw less power.

POWER CORD INSTRUCTIONS

Please follow the instructions below to ensure the safe use of the power cord.

- This appliance is equipped with a polarized plug. This type of plug has one blade that is wider than the other. This plug will fit in a polarized outlet only one way. This is a safety feature intended to help reduce the risk of electrical shock. If you are unable to insert the plug into the outlet, contact a qualified electrician to replace the obsolete outlet. Do not attempt to defeat the safety purpose of the polarized plug by modifying the plug in any way.
- You may use an extension cord, if necessary, but be certain to follow these guidelines:
 - The marked electrical rating of the extension cord must be at least 120/127 volt, 60 Hz, 10A.
 - The extension must be arranged so that it will not drape over the countertop or tabletop, will not be within the reach of children and will not be tripped over.
- Do not pull, twist or otherwise abuse the power cord.

SAVE THESE INSTRUCTIONS

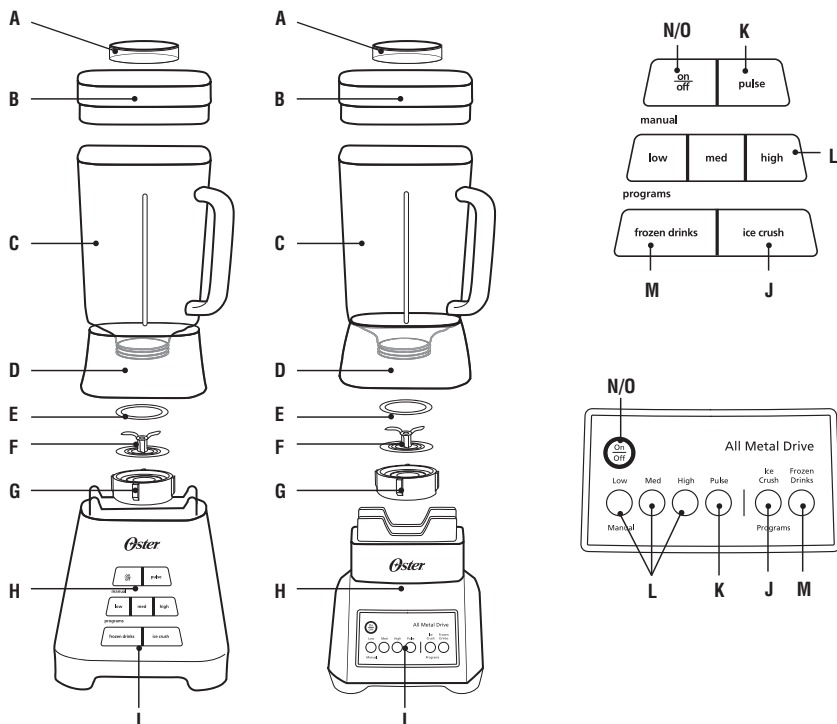
WELCOME

Congratulations on your purchase of an OSTER® Blender!

To learn more about OSTER® products, please visit us at www.oster.com.

FEATURES OF YOUR BLENDER

- A. Filler Cap for adding ingredients while blending
- B. Leak-proof lid
- C. 6-Cup Dishwasher-safe Glass Jar
- D. Jar Skirt (*attached to jar*)
- E. Sealing Ring for tight seal
- F. Ice Crush Blade pulverizes ice for smooth frozen drinks
- G. Threaded Jar Nut
- H. Powerful Motor with All Metal Drive System for lasting durability
- I. Electronic Control Panel.
- J. Pre-Programmed “Ice Crush” setting – pulses on high for 30 seconds with auto shut-off
- K. “Pulse” for precise blending control
- L. “High”, “Medium” and “Low” Speed Selections
- M. Pre-Programmed “Frozen Drinks” setting - runs on high for 45 seconds with auto shut-off
- N. ON/OFF will cease operation
- O. ON/OFF button flashes red when ready to operate



USING YOUR BLENDER

Clean blender according to the instructions in the “Cleaning and Storing Your Blender” section.

Jar assembly:

1. Turn jar upside down so the small opening is at the top. (Figure 1)
2. Place sealing ring over jar opening. (Figure 1)
3. Place blade into jar. (Figure 2)

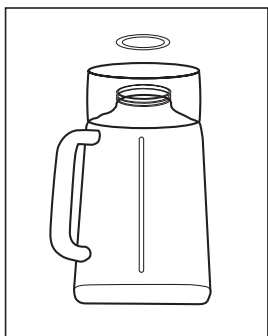


FIGURE 1

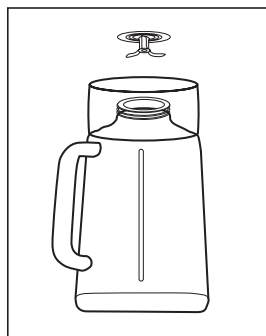


FIGURE 2

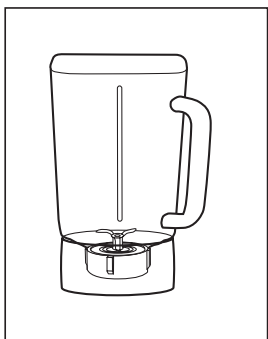


FIGURE 3

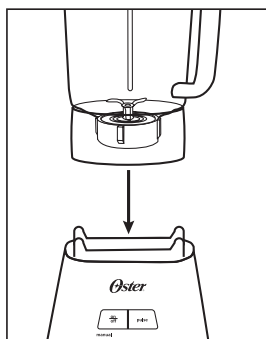


FIGURE 4

4. Place threaded jar nut over blade and jar. Place the threaded jar nut on jar and turn it clockwise to tighten. (Figure 3)
5. Place jar assembly onto base. (Figure 4)
6. Place ingredients into jar according to your recipe. For best results always add liquids first when blending.
7. Place pour through lid on jar.
8. Plug the power cord into a 120 Volt AC electrical outlet.
9. Touch the “POWER” button to turn the product on. The LED Indicator will flash red (and continue to flash) indicating it is ready to operate. You are now ready to blend. **Avoid contact with blades and moveable parts.**

SPEED MODES: LOW, MEDIUM, HIGH

- To blend in High Speed, press the “HIGH” button.
 - To blend in Medium Speed, press the “MED” button.
 - To blend in Low Speed, press the “LOW” button.
 - To Stop blending, press the “ON/OFF” button. The motor will come to a stop. (Pressing the “ON/OFF” button stops the motor and turns off the blender.)
 - You can move between speeds at any time while blending by pressing any of the other speed buttons. The new speed will start without interruption.
 - Pressing the “PULSE” Button will give a momentary pulse at high speed. The motor will then stop.
- NOTE:** Pressing the “ICE CRUSH or FROZEN DRINKS” or the Speed button at which it is blending will also stop the motor.

PRE-PROGRAMMED SETTINGS

**Your new blender features 2 Pre-Programmed Settings:
“Ice Crush” and “Frozen Drinks”.**

- The “ICE CRUSH” setting is ideal for crushing larger quantities of ice. The “ICE CRUSH” mode pulses between high and off for 30 seconds and will automatically shut off at the end of the cycle.
- The “FROZEN DRINKS” setting is designed for perfectly blended frozen drinks. The “FROZEN DRINKS” setting runs on high speed for 45 seconds and will automatically shut off at the end of the cycle.
- To stop blending in either of these settings, press the “ON/OFF” button. The motor will come to a stop. (pressing the “ON/OFF” button stops the motor and turns the blender off.)
- Pressing the “PULSE” button will give a momentary pulse at high speed. The motor will then stop.

TO USE THE PULSE SETTING

The “PULSE” button momentarily activates the blender at HIGH speed. You may also continuously touch the “PULSE” button to pulse as desired.

- To Pulse, press the “PULSE” button to activate a momentary high speed. The blender will run at high speed as long as you press the button. The motor will stop when you stop pressing the button.

BLENDING TIPS

- Put liquids in the jar first, unless a recipe says otherwise.
- Crushing ice: Crush approximately 3 cups of ice at a time with 2 cups of liquid for optimal results.
- Do not remove the lid while in use. Remove filler cap to add smaller ingredients.

(Figure 6)

- This blender has been designed to gently process foods when operating at low speeds. If blades do not rotate during operation, simply choose a higher speed.
- This blender will not mash potatoes, whip egg whites or substitute dairy toppings, mix stiff dough or grind raw meat.

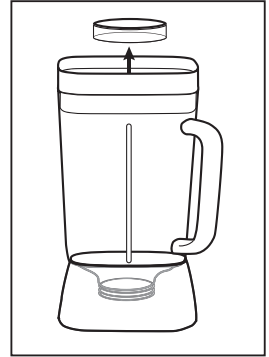


FIGURE 5

HOT FOODS

- Open the Filler Cap to vent steam. Tilt Filler Cap away from you. Keep hands away from the cover opening to prevent possible burns.
- When working with hot liquids, remove Filler Cap and start blending at a low speed. Then move to a faster speed. DO NOT add liquid over the 4 cup (1 liter) level.

CLEANING AND STORING YOUR BLENDER

IMPORTANT: Unplug Before Cleaning Base And Do Not Immerse The Blender Base In Water Or Any Other Liquids.

Use a damp, soft sponge with mild detergent to clean the outside of the blender base and control panel. All parts except for the blender base are

dishwasher safe. Place sealing ring in bottom basket of dishwasher.

You can also wash the parts in warm, soapy water. Rinse well and dry.

STORING YOUR BLENDER

After cleaning, reassemble blade to jar with sealing ring and threaded jar bottom. Store blender with cover ajar to prevent container odor.

RECIPES

For fun and creative recipes for your new Oster® blender please visit www.oster.com. Here you will find everything from the perfect Breakfast Smoothie to creamy Soups, Sauces and a host of Oster® signature Frozen Drinks. For the perfect recipe for any occasion — turn on your creativity with Oster®!

GINGER PEACH SMOOTHIE

MAKES CUPS	YOGURT (OUNCES)	ICE CUBES MEDIUM	FROZEN SLICED PEACHES	FROZEN BANANA (2 INCH CHUNKS)	WHITE GRAPE JUICE (OUNCES)	GROUND GINGER (TSP)
2	8	2	5	2	3	1/8
3	12	3	8	3	4 1/2	1/5
4	16	4	10	4	6	1/4
5	20	5	13	5	7 1/2	1/3
6	24	6	15	6	9	3/8

STRAWBERRY SMOOTHIE

MAKES CUPS	YOGURT (OUNCES)	ICE CUBES MEDIUM	FROZEN STRAWBERRIES (1 INCH DIA. MAX)	FROZEN BANANA (2 INCH CHUNKS)	WHITE GRAPE JUICE (OUNCES)	GROUND GINGER (TSP)
2	7	2	2	2	3	1/8
3	11	3	3	3	4 1/2	1/5
4	14	4	4	4	6	1/4
5	18	5	5	5	7 1/2	1/3
6	21	6	6	6	9	3/8

RECIPES

VANILLA MILKSHAKE

MAKES CUPS	ICE CREAM CUPS	MILK OUNCES	VANILLA TSP
2	2	6	1/8
3	3	9	1/4
4	4	12	1/4
5	5	15	3/8
6	6	18	3/8

MARGARITA

MAKES CUPS	TEQUILA OUNCES	MARGARITA MIX OUNCES	ICE CUPS
2	2	6	1 1/2
3	3	9	2 1/2
4	4	12	3
5	5	15	4
6	5 1/2	18	5

1-Year Limited Warranty

Sunbeam Products, Inc. doing business as Jarden Consumer Solutions or if in Canada, Sunbeam Corporation (Canada) Limited doing business as Jarden Consumer Solutions (collectively “JCS”) warrants that for a period of one year from the date of purchase, this product will be free from defects in material and workmanship. JCS, at its option, will repair or replace this product or any component of the product found to be defective during the warranty period. Replacement will be made with a new or remanufactured product or component. If the product is no longer available, replacement may be made with a similar product of equal or greater value. This is your exclusive warranty. Do NOT attempt to repair or adjust any electrical or mechanical functions on this product. Doing so will void this warranty.

This warranty is valid for the original retail purchaser from the date of initial retail purchase and is not transferable. Keep the original sales receipt. Proof of purchase is required to obtain warranty performance. JCS dealers, service centers, or retail stores selling JCS products do not have the right to alter, modify or any way change the terms and conditions of this warranty.

This warranty does not cover normal wear of parts or damage resulting from any of the following: negligent use or misuse of the product, use on improper voltage or current, use contrary to the operating instructions, disassembly, repair or alteration by anyone other than JCS or an authorized JCS service center. Further, the warranty does not cover: Acts of God, such as fire, flood, hurricanes and tornadoes.

What are the limits on JCS’s Liability?

JCS shall not be liable for any incidental or consequential damages caused by the breach of any express, implied or statutory warranty or condition.

Except to the extent prohibited by applicable law, any implied warranty or condition of merchantability or fitness for a particular purpose is limited in duration to the duration of the above warranty.

JCS disclaims all other warranties, conditions or representations, express, implied, statutory or otherwise.

JCS shall not be liable for any damages of any kind resulting from the purchase, use or misuse of, or inability to use the product including incidental, special, consequential or similar damages or loss of profits, or for any breach of contract, fundamental or otherwise, or for any claim brought against purchaser by any other party.

Some provinces, states or jurisdictions do not allow the exclusion or limitation of incidental or consequential damages or limitations on how long an implied warranty lasts, so the above limitations or exclusion may not apply to you.

This warranty gives you specific legal rights, and you may also have other rights that vary from province to province, state to state or jurisdiction to jurisdiction.

How to Obtain Warranty Service

In the U.S.A.

If you have any question regarding this warranty or would like to obtain warranty service, please call 1.800.334.0759 and a convenient service center address will be provided to you.

In Canada

If you have any question regarding this warranty or would like to obtain warranty service, please call 1.800.667.8623 and a convenient service center address will be provided to you.

In the U.S.A., this warranty is offered by Sunbeam Products, Inc. doing business as Jarden Consumer Solutions located in Boca Raton, Florida 33431. In Canada, this warranty is offered by Sunbeam Corporation (Canada) Limited doing business as Jarden Consumer Solutions, located at 20 B Hereford Street, Brampton, Ontario L6Y 0M1. If you have any other problem or claim in connection with this product, please write our Consumer Service Department.

PLEASE DO NOT RETURN THIS PRODUCT TO ANY OF THESE ADDRESSES OR TO THE PLACE OF PURCHASE.

PRECAUCIONES IMPORTANTES

Cuando use algún aparato eléctrico siempre deben seguirse precauciones básicas de-seguridad incluyendo las siguientes:

LEA TODAS LAS INSTRUCCIONES ANTES DE USAR

- Desenchufe el cable del tomacorriente cuando no lo use o antes de efectuar la limpieza.
- Para protegerse contra el riesgo de descargas eléctricas no sumerja el cable, enchufe o base del motor en agua ni en ningún otro líquido.
- No deje que el cable cuelgue sobre el borde de la mesa o superficie de trabajo ni que toque superficies calientes.
- Jamás deje el electrodoméstico desatendido mientras lo esté usando.
- Es necesaria una estricta supervisión cuando el electrodoméstico se use cerca de niños.
- Potencia de luz parpadeante indica listo para funcionar. Evitar cualquier tipo de contacto con hojas o partes móviles. Mantenga las manos y los utensilios fuera del vaso durante el mezclado para evitar heridas corporales o daño al electrodoméstico. Puede usar una espátula de goma sólo cuando la licuadora no esté funcionando.
- La cuchilla es filosa. Manipule con cuidado.
- Para reducir el riesgo de herida, nunca asamble de hoja de lugar en la base sin frasco conectó apropiadamente.
- Siempre coloque la tapa sobre el vaso antes de operar la licuadora.
- No licue líquidos hirviendo en la licuadora.
- Cuando mezcle líquidos calientes, retire la tapa del pico abatible de la tapa. El vapor de los líquidos calientes puede expulsar la tapa de la jarra durante el licuado. Para prevenir posibles quemaduras, no llene la jarra por encima del nivel de 2 tazas. Con la protección de un guante para hornos o repasador, coloque una mano sobre la tapa. Mantenga la piel sin protección lejos de la tapa. Comience el licuado en la velocidad más baja.
- No opere ningún electrodoméstico que tenga un cable o enchufe dañado, después de mal funcionamiento de la unidad o si se cae o daña de cualquier otra manera. Retorne el artefacto al Centro de Servicios Sunbeam Autorizado más cercano para examinarlo, repararlo o ajustarlo eléctrica o mecánicamente.
- No lo use en exteriores o para propósitos comerciales; este electrodoméstico es para uso doméstico solamente.
- Use este electrodoméstico para el uso para el cual fue diseñado, según se describe en este manual. No use accesorios no recomendados por el fabricante; podrían causar heridas corporales.
- Siempre opere el electrodoméstico en una superficie plana.
- Desenchufe la licuadora cuando no la use, antes de quitar o poner partes y antes de efectuar la limpieza.
- Sunbeam Products, Inc., no recomienda el uso de accesorios no fabricados por productos OSTER®, incluidos recipientes o el vaso común y partes de ensamblado para-procesamiento de alimentos, pueden causar heridas corporales.

ESTE PRODUCTO ES SÓLO PARA USO DOMÉSTICO

El rango máximo de potencia marcado en la unidad está basado según el aditamento que necesita más potencia. Otros aditamentos recomendados podrían necesitar menos potencia.

INSTRUCCIONES SOBRE EL CABLE DE TENSIÓN

Siga las instrucciones que se enumeran a continuación para el uso seguro del cable de tensión.

- Este electrodoméstico posee un enchufe de dos espigas. Este es un dispositivo de seguridad diseñado para reducir el riesgo de una descarga eléctrica. Si no puede introducir el enchufe en el tomacorriente, comuníquese con un electricista calificado para que cambie el tomacorriente obsoleto. No intente anular la función de seguridad del enchufe de dos espigas, efectuando modificaciones al enchufe.
- Puede usar un cable de extensión, si fuera necesario, pero siga estas indicaciones:
 - La clasificación de potencia del cable de extensión debe ser al menos de 120/127 voltios, 60 Hz, 10 A.
 - La extensión debe colocarse de manera que no cuelgue sobre la mesa o mostrador y fuera del alcance de los niños para evitar tropezarse con el cable.
- No tire, retuerza ni maltrate el cable.

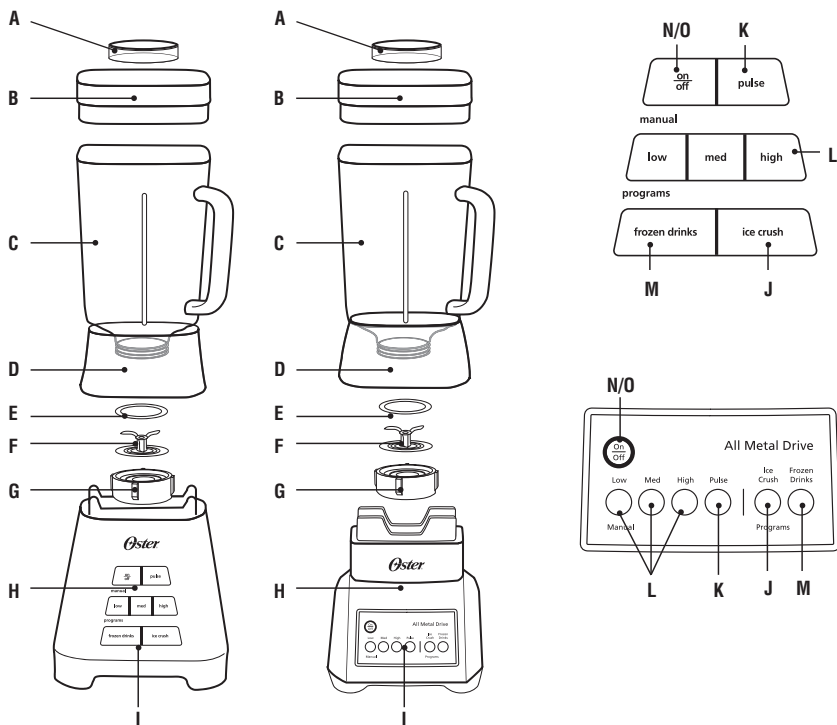
GUARDE ESTAS INSTRUCCIONES

BIENVENIDOS

¡Felicitaciones por su compra de una Licuadora. Para aprender más sobre productos OSTER®, por favor visítenos en www.oster.com!

CARACTERÍSTICAS DE SU LICUADORA

- A.** Copa de acceso para agregar ingredientes mientras licua
- B.** Tapa a prueba de fugas
- C.** Vaso de Vidrio de 6 tazas (1,4 L)
Lavable en Lavadora de Platos
- D.** Aro para estabilidad en la mesa y el refrigerador (se adjunta a Jar)
- E.** Aro de Sellado Hermético
- F.** La cuchilla para picar hielo pulveriza el hielo para las bebidas congeladas
- G.** Disco de Fondo Roscado
- H.** Potente motor con All Metal Drive para una mayor durabilidad
- I.** Panel de Control Electrónico
- J.** Característica preprogramada para Picar hielo (“Ice Crush”) – se activa en velocidad alta durante 30 segundos con apagado automático
- K.** Función de pulsar para un control de mezclado preciso
- L.** Selección de velocidades “High” (alta), “Medium” (media) y “Low” (baja)
- M.** Característica preprogramada para Bebidas congeladas (“Frozen Drinks”) – funciona en velocidad alta durante 45 segundos con apagado automático
- N.** El interruptor ON/OFF detiene la operación
- O.** La luz roja del botón ON/OFF comienza a parpadear cuando la licuadora está lista para operar



CÓMO USAR SU LICUADORA

Limpie la licuadora de acuerdo a las instrucciones indicadas en la sección “Cómo Limpiar y Guardar la Licuadora”.

Ensamblado del vaso:

1. Ponga el vaso al revés, de manera tal que la pequeña abertura se encuentre hacia arriba. (Figura 1)
2. Coloque el aro de sellado sobre la abertura del vaso. (Figura 1)
3. Coloque la cuchilla dentro del vaso. (Figura 2)

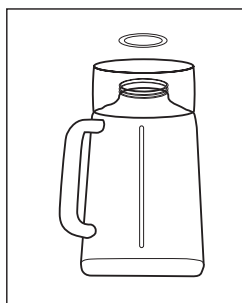


FIGURA 1

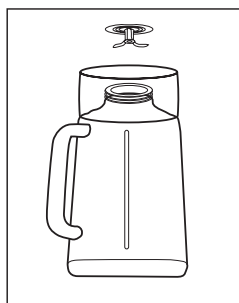


FIGURA 2

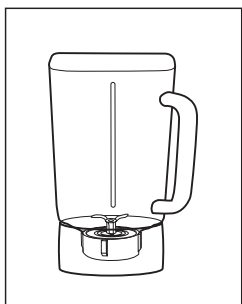


FIGURA 3

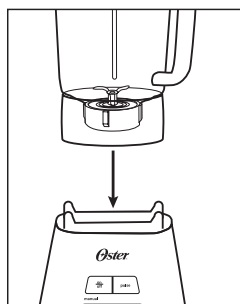


FIGURA 4

4. Junte hasta trabar el disco de fondo roscado con el aro. Coloque el aro sobre la cuchilla y el vaso. Coloque el aro sobre el vaso y gire el disco con fondo roscado en sentido horario para apretar. (Figura 3)
5. Coloque el vaso ensamblado sobre la base. (Figura 4)
6. Coloque ingredientes en el vaso.
7. Coloque la tapa vertedora en la jarra.
8. Enchufe el cable de alimentación en un tomacorriente eléctrico de AC de 120 Voltios.
9. Presione el botón “ON/OFF” (encendido) para encender el producto. El indicador LED parpadea con una luz roja (y continúa parpadeando) para indicar que la licuadora está lista para operar. Ahora está listo para licuar. **Evitar contacto con hojas o partes móviles.**

MODOS DE VELOCIDAD: “LOW” (BAJA), “MEDIUM” (MEDIA), “HIGH” (ALTA)

- Para licuar en la velocidad alta, presione el botón “HIGH” (alta).
- Para licuar a velocidad media, presione el botón “MED” (media).
- Para licuar a velocidad baja, presione el botón “LOW” (baja).
- Para detener el licuado, presione el botón ON/OFF. El motor se detendrá (al presionar el botón ON/OFF, se detiene el motor y la licuadora se para).
- Puede alternar las velocidades en cualquier momento durante el licuado con los botones de velocidad. La nueva velocidad comenzará sin interrupción y el nuevo icono de velocidad parpadeará indicando que se encuentra a esa velocidad.
- El botón PULSE genera un pulso momentáneo en alta velocidad. Luego el motor se detendrá.

NOTA: Si se presiona ICE CRUSH ó FROZEN DRINKS ó el botón de velocidad a la cual se está licuando, el motor se detendrá.

FUNCIONES PREPROGRAMADAS

Su nueva licuadora cuenta con 2 Funciones Preprogramadas:

“Ice Crush” (picar hielo) y “Frozen Drinks” (bebidas).

- La función “ICE CRUSH” (picar hielo) es ideal para picar grandes cantidades de hielo. El modo ICE CRUSH activa la licuadora a velocidad alta y la detiene automáticamente en 30 segundos.
- El modo FROZEN DRINKS está diseñado para obtener bebidas congeladas perfectamente licuadas. El modo FROZEN DRINKS opera a alta velocidad durante 45 segundos y se detiene automáticamente al final del ciclo.
- Para detener el licuado en cualquiera de estos modos, presione el botón ON/OFF. El motor se detendrá (al presionar el botón ON/OFF, se detiene el motor y la licuadora se para).
- El botón PULSE genera un pulso momentáneo en alta velocidad. Luego el motor se detendrá.

PARA USAR LA FUNCIÓN DE PULSOS

El botón “PULSE” (pulso) activa la licuadora momentáneamente a velocidad ALTA. También puede presionar continuamente el botón “PULSE” (pulso) para un funcionamiento más prolongado en este modo según lo desee.

- Para “PULSAR”, presione el botón “PULSE” (pulso) para activar la velocidad alta momentáneamente. La licuadora funcionará a velocidad alta durante el tiempo que mantenga el botón presionado. El motor se detendrá cuando deje de presionar el botón.

CONSEJOS PARA EL LICUADO

- Coloque primero los líquidos en el vaso, a menos que la receta indique lo contrario.
- Para picar hielo: Picado de hielo: Pique aproximadamente 3 tazas de hielo por vez con 2 tazas de líquido para obtener resultados óptimos.
- No quite la tapa mientras esté en uso. Quite la copa de acceso para agregar los ingredientes más pequeños. (Figura 5)
- Esta licuadora fue diseñada para mezclar suavemente los alimentos cuando funciona a bajas velocidades. Si las hojas no giran durante el funcionamiento, simplemente seleccione una velocidad más alta.
- Esta licuadora no hace puré de papas, no bate claras de huevo ni sustituye lácteos para untar, mezcla masas duras ni pica carne cruda.



FIGURA 5

ALIMENTOS CALIENTES

- Abra la tapa de llenado para dejar salir el vapor. Incline la tapa de llenado en dirección opuesta a usted. Mantenga las manos alejadas de la abertura de la tapa para evitar posibles quemaduras.
- Cuando trabaje con líquidos calientes, quite la tapa de llenado y comience a licuar a baja velocidad. Luego pase a una velocidad mayor. NO agregue líquidos por encima del nivel de 4 tazas (1 litro).

CÓMO LIMPIAR Y GUARDAR SU LICUADORA

IMPORTANTE: Desenchufe antes de limpiar la base y no sumerja la licuadora en agua ni en ningún otro líquido.

Utilice una esponja suave humedecida con un detergente suave para limpiar el exterior de la base y el panel de control de la licuadora. Todas las piezas excepto la base de la licuadora pueden lavarse en lavavajillas. Coloque el anillo de sellado en el canasto inferior del lavavajillas. También puede lavar las piezas con agua tibia y jabón. Enjuague bien y seque.

CÓMO GUARDAR SU LICUADORA

Después de limpiar la hoja, vuelva a colocarla en la jarra con el anillo sellador y la parte inferior roscada.

RECETAS

Para preparar recetas creativas y divertidas con su nueva licuadora Oster®, visite nuestro sitio www.oster.com. Allí encontrará todas las recetas, desde un batido de frutas perfecto para el desayuno a sopas cremosas, salsas y una gran cantidad de bebidas congeladas Oster®. ¡Para crear la receta perfecta para cualquier ocasión, encienda su creatividad con Oster®!

BATIDO DE DURAZNO Y JENGIBRE

TAZAS	YOGUR (ONZAS)	CUBITOS DE HIELO (MEDIANOS)	DURAZNOS CONGELADOS EN RODAJAS	BANANAS CONGELADAS (TROZOS DE 2 PULG)	JUGO DE UVA BLANCA (ONZAS)	JENGIBRE MOLIDO (CUCHARADITA)
2	8	2	5	2	3	1/8
3	12	3	8	3	4 1/2	1/5
4	16	4	10	4	6	1/4
5	20	5	13	5	7 1/2	1/3
6	24	6	15	6	9	3/8

BATIDO DE FRUTILLAS

TAZAS	YOGUR (ONZAS)	CUBITOS DE HIELO (MEDIANOS)	FRUTILLAS CONGELADAS (DIÁM. DE 1 PULG. MÁX)	BANANAS CONGELADAS (TROZOS DE 2 PULG)	JUGO DE UVA BLANCA (ONZAS)	JENGIBRE MOLIDO (CUCHARADITA)
2	7	2	2	2	3	1/8
3	11	3	3	3	4 1/2	1/5
4	14	4	4	4	6	1/4
5	18	5	5	5	7 1/2	1/3
6	21	6	6	6	9	3/8

RECETAS

MALTEADA DE VAINILLA

TAZAS	TAZAS DE HELADO	LECHE (ONZAS)	VAINILLA (CUCHARADITA)
2	2	6	1/8
3	3	9	1/4
4	4	12	1/4
5	5	15	3/8
6	6	18	3/8

MARGARITA

TAZAS	TEQUILA (ONZAS)	MEZCLA DE MARGARITA (ONZAS)	TAZAS DE HIELO
2	2	6	1 1/2
3	3	9	2 1/2
4	4	12	3
5	5	15	4
6	5 1/2	18	5

Garantía Limitada por un Año

Sunbeam Products, Inc. operando bajo el nombre de Jarden Consumer Solutions, o en Canadá, Sunbeam Corporation (Canada) Limited operando bajo el nombre de Jarden Consumer Solutions, (en forma conjunta, "JCS"), garantiza que por un período de un año a partir de la fecha de compra, este producto estará libre de defectos de materiales y mano de obra. JCS, a su elección, reparará o reemplazará este producto o cualquier componente del mismo que presente defectos durante el período de garantía. El reemplazo se realizará por un producto o componente nuevo o reparado. Si el producto ya no estuviera disponible, se lo reemplazará por un producto similar de valor igual o superior. Ésta es su garantía exclusiva. No intente reparar o ajustar ninguna función eléctrica o mecánica de este producto. Al hacerlo eliminará ésta garantía.

La garantía es válida para el comprador minorista original a partir de la fecha de compra inicial y la misma no es transferible. Conserve el recibo de compra original. Para solicitar servicio en garantía se requiere presentar un recibo de compra. Los agentes y centros de servicio de JCS o las tiendas minoristas que venden productos de JCS no tienen derecho a alterar, modificar ni cambiar de ningún otro modo los términos y las condiciones de esta garantía.

Esta garantía no cubre el desgaste normal de las piezas ni los daños que se produzcan como resultado de uso negligente o mal uso del producto, uso de voltaje incorrecto o corriente inapropiada, uso contrario a las instrucciones operativas, y desarme, reparación o alteración por parte de un tercero ajeno a JCS o a un Centro de Servicio autorizado por JCS. Asimismo, la garantía no cubre actos fortuitos tales como incendios, inundaciones, huracanes y tornados.

¿Cuál es el límite de responsabilidad de JCS?

JCS no será responsable de daños incidentales o emergentes causados por el incumplimiento de alguna garantía o condición expresa, implícita o legal.

Excepto en la medida en que lo prohíba la ley aplicable, cualquier garantía o condición implícita de comerciabilidad o aptitud para un fin determinado se limita, en cuanto a su duración, al plazo de la garantía antes mencionada.

JCS queda exenta de toda otra garantías, condiciones o manifestaciones, expresa, implícita, legal o de cualquier otra naturaleza.

JCS no será responsable de ningún tipo de daño que resulte de la compra, uso o mal uso del producto, o por la imposibilidad de usar el producto, incluidos los daños incidentales, especiales, emergentes o similares, o la pérdida de ganancias, ni de ningún incumplimiento contractual, sea de una obligación esencial o de otra naturaleza, ni de ningún reclamo iniciado contra el comprador por un tercero.

Algunas provincias, estados o jurisdicciones no permiten la exclusión o limitación de los daños incidentales o emergentes ni las limitaciones a la duración de las garantías implícitas, de modo que es posible que la exclusión o las limitaciones antes mencionadas no se apliquen en su caso.

Esta garantía le otorga derechos legales específicos y es posible que usted tenga otros derechos que varían de un estado, provincia o jurisdicción a otro.

Cómo solicitar el servicio en garantía

En los Estados Unidos

Si tiene alguna pregunta sobre esta garantía o desea recibir servicio de garantía, llame al 1.800.334.0759 y podrá obtener la dirección del centro de servicio que le resulte más conveniente.

En Canadá

Si tiene alguna pregunta sobre esta garantía o desea recibir servicio de garantía, llame al 1.800.667.8623 y podrá obtener la dirección del centro de servicio que le resulte más conveniente.

En los Estados Unidos, esta garantía es ofrecida por Sunbeam Products, Inc. operando bajo el nombre de Jarden Consumer Solutions, Boca Ratón, Florida 33431. En Canadá, esta garantía es ofrecida por Sunbeam Corporation (Canada) Limited operando bajo el nombre de Jarden Consumer Solutions, 20 B Hereford Street, Brampton, Ontario L6Y 0M1. Si usted tiene otro problema o reclamo en conexión con este producto, por favor escriba al Departamento de Servicio al Consumidor.

POR FAVOR NO DEVUELVA ESTE PRODUCTO A NINGUNA DE ESTAS DIRECCIONES NI AL LUGAR DE COMPRA.

CONSIGNES DE SÉCURITÉ IMPORTANTES

Il conviendra de prendre toutes les précautions générales de sécurité qui s'imposent lors de l'utilisation d'un appareil électrique, y compris:

LIRE TOUTES LE MODE D'EMPLOI AVANT UTILISATION

- Débrancher le cordon de la prise lorsque l'appareil se trouve hors service ou avant de le nettoyer.
- Pour éviter tout risque d'électrocution, ne pas immerger le cordon, la prise ou le socle du moteur dans de l'eau ou tout autre liquide.
- Ne pas laisser le cordon pendre sur le rebord d'une table ou d'un comptoir ni contacter une surface chaude.
- Ne jamais laisser un appareil en service sans surveillance.
- Une surveillance étroite s'impose lors de l'utilisation de l'appareil à portée des enfants.
- Lorsque le voyant d'alimentation clignote cela signifie que l'appareil est prêt à être utilisé. Éviter TOUT contact avec les lames ou pièces mobiles. Garder les mains et les ustensiles en dehors du récipient pour éviter tout risque de blessure ou d'endommager le mélangeur. Il conviendra d'utiliser une spatule en caoutchouc uniquement lorsque l'appareil est arrêté.
- La lame est tranchante. La manipuler avec précaution.
- Pour réduire le risque de blessure, jamais l'assemblée de lame de lieu sur la base sans le pot a attaché convenablement.
- Toujours recouvrir le récipient de son couvercle avant d'activer le mélangeur
- Ne pas mélanger de liquides bouillants dans le mélangeur.
- Lorsqu'un liquide chaud est mélangé, retirer le bec verseur du couvercle. La vapeur du liquide chaud risque de soulever le couvercle du récipient. Pour éviter tout risque de brûlure remplir le récipient sans dépasser le niveau de deux tasses. Avec la protection d'un gant de cuisine ou d'un torchon, poser une main sur le couvercle. Ne pas toucher le couvercle avec la peau nue. Faire démarrer le mélangeur à la vitesse la plus faible.
- Ne pas faire fonctionner un appareil avec un cordon ou une prise abimés, ni après un mauvais fonctionnement, une chute ou autre dégât de l'appareil. Renvoyer l'appareil au centre de service agréé Sunbeam le plus proche pour faire examiner, réparer ou régler le fonctionnement électrique ou mécanique de l'appareil.
- Ne pas utiliser à l'extérieur ni à des fins commerciales. Cet appareil est réservé à l'usage domestique.
- Il conviendra de se servir de cet appareil uniquement selon son utilisation prévue décrite dans ce manuel. Ne pas utiliser de pièces détachées qui ne sont pas agréées par le fabricant, celles-ci risqueraient d'entraîner des blessures.
- Toujours se servir du mélangeur sur une surface plane.
- Débrancher le mélangeur une fois hors service, avant de retirer ou d'introduire des pièces détachées, et avant de le nettoyer.
- Sunbeam Products Inc., déconseille l'utilisation de pièces détachées qui n'ont pas été fabriquées par produits OSTER®, y compris les récipients pour conserves ou d'usage ordinaire, car celles-ci risqueraient d'entraîner des blessures.

CET APPAREIL A ÉTÉ CONÇU POUR UN USAGE DOMESTIQUE SEULEMENT

La puissance nominale maximale indiquée sur le produit est basée sur l'utilisation de l'accessoire qui nécessite le plus de courant électrique. Les autres accessoires peuvent utiliser moins de courant électrique.

PRÉCAUTIONS CONCERNANT LE CORDON D'ALIMENTATION ÉLECTRIQUE

Veuillez observer les instructions suivantes afin de manipuler le cordon électrique en toute sécurité.

- Cet appareil est doté d'une fiche à trois broches. La troisième broche est prévue pour réduire les risques d'électrocution. S'il vous est impossible d'introduire la fiche dans la prise murale, communiquez avec un électricien qualifié pour faire remplacer la prise par une nouvelle. Ne tentez pas de forcer ce dispositif de sécurité en modifiant la fiche à trois broches de quelque manière que ce soit.
- Vous pouvez au besoin utiliser une rallonge électrique, mais assurez-vous d'observer les consignes suivantes :
 - La puissance électrique nominale indiquée sur l'étiquette de la rallonge doit correspondre à au moins 120/127 volts, 60 Hz, 10A.
 - La rallonge doit être installée de façon à ce qu'elle ne pende pas d'une table ou d'un plan de travail, à ce qu'elle reste hors de portée des enfants et à ce qu'elle ne soit pas dans le passage.
- Ne tirez pas sur le cordon, ne le tordez pas et ne l'utilisez pas à mauvais escient.

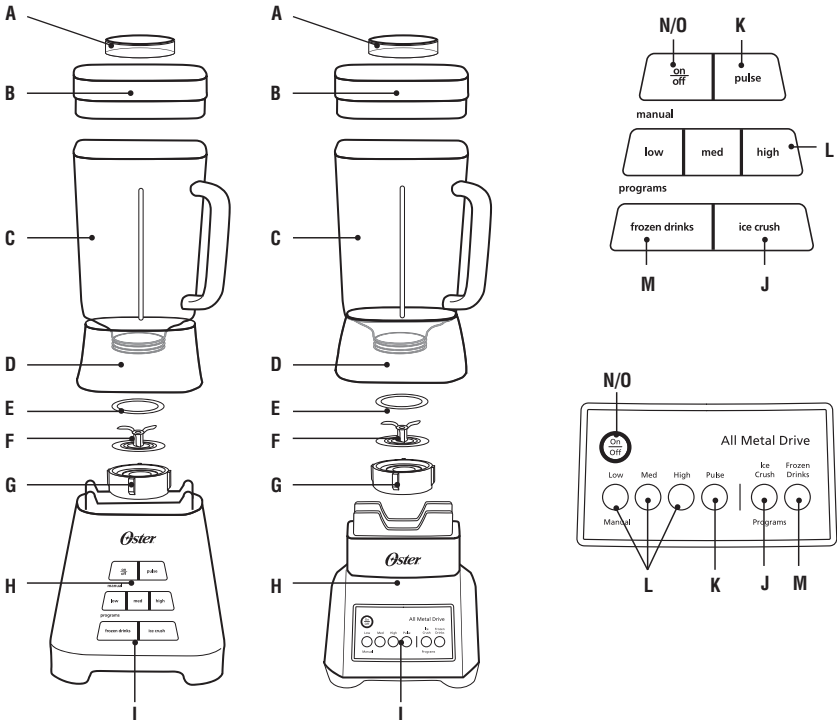
CONSERVEZ CES INSTRUCTIONS

BIENVENUE

Félicitations pour votre achat d'un mélangeur Oster® ! Pour en savoir plus sur les produits Oster®, veuillez visiter notre site web à www.oster.com.

CHARACTÉRISTIQUES DE VOTRE MÉLANGEUR

- A.** Goulotte pour ajouter des ingrédients lors du fonctionnement du mélangeur
- B.** Couvercle étanche
- C.** Récipient en verre lavable au lave-vaisselle de 1,41 (6 tasses)
- D.** Socle du récipient (rattaché)
- E.** Rondelle d'étanchéité pour assurer l'imperméabilité
- F.** Lame pour broyer la glace permettant d'obtenir des boissons glacées veloutées
- G.** Anneau de serrage fileté
- H.** Moteur puissant équipé de la technologie en acier All Metal Drive de grande pérennité
- I.** Panneau de commande numérique
- J.** Réglage « Ice Crush » (Glace broyée) préprogrammé à impulsions rapides pendant 30 secondes avec arrêt automatique
- K.** Commande à impulsion « Pulse » pour contrôler les mélanges avec précision
- L.** Sélection des vitesses « High » [haute], « Medium » [moyenne] et « Low » [faible]
- M.** Réglage « Drinks » [Boissons] préprogrammé à exécution rapide pendant 45 secondes avec arrêt automatique
- N.** Touche de marche/arrêt ON/OFF pour éteindre l'appareil
- O.** La touche de marche/arrêt ON/OFF clignote en rouge pour signaler que l'appareil est prêt à être utilisé



UTILISATION DU MÉLANGEUR

Nettoyer le mélangeur selon les instructions qui figurent à la section intitulée « Nettoyage et rangement du mélangeur ».

Assemblage du mélangeur:

1. Renverser le récipient la petite ouverture vers le haut (Figure 1).
2. Poser la rondelle d'étanchéité sur l'ouverture du récipient (Figure 1).
3. Introduire l'ensemble lame dans le récipient (Figure 2).

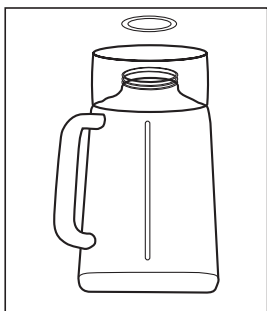


FIGURE 1

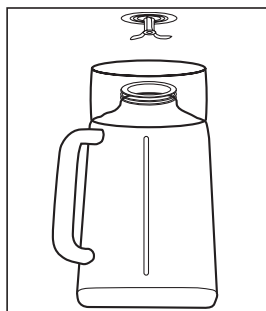


FIGURE 2

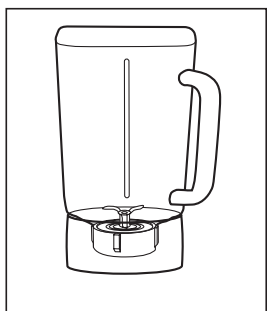


FIGURE 3

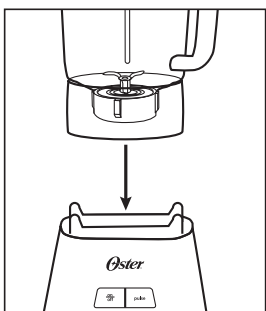


FIGURE 4

4. Poser l'anneau de serrage fileté par dessus la lame et l'ouverture du récipient, et le resserrer en le faisant tourner dans le sens des aiguilles d'une montre (Figure 3).
5. Introduire le récipient assemblé dans le socle du moteur (Figure 4).
6. Déposer les ingrédients de votre recette dans le récipient. Pour obtenir des résultats optimums toujours ajouter les liquides en premier dans le mélangeur.
7. Recouvrir le récipient avec son couvercle à bec verseur.
8. Brancher le cordon d'alimentation dans une prise de courant de 120 volts c.a..
9. Appuyer sur la touche d'alimentation « POWER » pour allumer le mélangeur. Le voyant DEL clignotera rouge (sans s'arrêter) pour signaler que l'appareil est prêt à être utilisé. Éviter tout contact avec les lames et les pièces mobiles.

SÉLECTION DES VITESSES : FORTE, MOYENNE, FAIBLE

- Pour mélanger à haute vitesse, appuyer sur la touche « High » [haute]
- Pour mélanger à moyenne vitesse, appuyer sur la touche « Medium » [moyenne]
- Pour mélanger à faible vitesse, appuyer sur la touche « Low » [faible]
- Pour arrêter le mélangeur, appuyer sur la touche marche/arrêt « ON/OFF ». Le moteur s'arrêtera. (Lorsque vous appuyez sur la touche marche/arrêt « ON/OFF », le moteur s'arrête, et le mélangeur s'éteint.)
- Vous pouvez changer de vitesse à n'importe quel moment pendant le mélange. Il suffit d'appuyer sur un quelconque autre bouton indicateur de vitesse. La nouvelle vitesse s'enclenchera sans discontinu.
- La touche d'impulsion « PULSE » fournit une impulsion passagère à haute vitesse suivie de l'arrêt du moteur.

REMARQUE: Le moteur s'arrêtera aussi lorsque que vous appuyez sur les touches « ICE CRUSH » (broyeur de glace) ou « FROZEN DRINKS » (boissons) ou le bouton indicateur de vitesse courante du mélange.

PRE-PROGRAMMED SETTINGS

Votre nouveau mélangeur présente deux réglages préprogrammés:

« ICE CRUSH » (broyeur de glace) ou « FROZEN DRINKS » (boissons)

- Le réglage « ICE CRUSH » (glace broyée) est idéal pour le broyage de grandes quantités de glace. Le réglage « ICE CRUSH » (broyeur de glace) lance des impulsions pendant 30 secondes à haute vitesse avant de s'éteindre automatiquement en fin de cycle.
- Le réglage « FROZEN DRINKS » [boissons] est conçu pour le mélange parfait de boissons glacées. Le réglage « FROZEN DRINKS » [boissons] s'exécute pendant 45 secondes avant de s'éteindre automatiquement en fin de cycle.
- Pour arrêter le mélange selon l'un ou l'autre de ces réglages, il suffit d'appuyer sur la touche marche/arrêt « ON/OFF ». Le moteur s'arrêtera. (Lorsque vous appuyez sur la touche marche/arrêt « ON/OFF », le moteur s'arrête, et le mélangeur s'éteint.)
- La touche d'impulsion « PULSE » fournit une impulsion passagère à haute vitesse suivie de l'arrêt du moteur.

UTILISATION DU RÉGLAGE D'IMPULSION « PULSE »

La touche d'impulsion « PULSE » entraîne momentanément la haute vitesse du mélangeur. Vous pouvez aussi enfoncer la touche d'impulsion « PULSE » pour lancer des impulsions selon le besoin.

- Pour lancer une impulsion, appuyer sur la touche d'impulsion « PULSE » qui activera une impulsion passagère à haute vitesse. Le mélangeur fonctionnera à haute vitesse tant que la touche d'impulsion « PULSE » demeure enfoncée. Le moteur s'arrêtera dès la touche d'impulsion « PULSE » relâchée.

CONSEILS POUR MÉLANGER

- Verser d'abord les liquides dans le récipient, à moins que la recette indique autrement.
- Broyage de la glace : Broyer environ 3 tasses de glace à la fois avec deux tasses de liquide pour obtenir des résultats optimaux.
- Ne retirez pas le couvercle en cours d'utilisation. Retirez la goulotte pour ajouter de petits ingrédients. (Figure 5)
- Ce mélangeur a été conçu pour mélanger doucement les aliments à faible vitesse. Lorsque les lames ne pivotent pas, choisir tout simplement une vitesse plus élevée.
- Le mélangeur ne réduit pas les pommes de terre en purée, ne bat pas en neige les blancs d'œuf ni les substituts de produits laitiers, ne malaxe pas les pâtes dures et ne hache pas la viande.

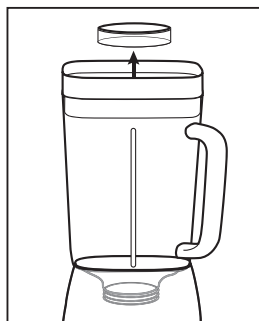


FIGURE 5

ALIMENTS CHAUDS

- Retirez le bouchon-mesure pour laisser échapper la vapeur loin de vous. Écartez vos mains de l'ouverture afin de limiter les risques de brûlures.
- Quand vous traitez des aliments chauds, retirez le bouchon-mesure puis débutez le mélange à vitesse basse avant d'augmenter l'allure. NE dépassez PAS le niveau 4 tasses (1 litre) indiqué sur le récipient.

NETTOYAGE ET RANGEMENT DU MÉLANGEUR

IMPORTANT: Débrancher le mélangeur avant de nettoyer le socle du moteur et ne pas l'immerger dans de l'eau ou un autre liquide quelconque. Se servir d'une éponge non abrasive avec un détergent doux pour nettoyer l'extérieur du socle du mélangeur et le panneau de commandes. Toutes les pièces détachées sauf le socle du mélangeur sont résistantes à l'épreuve du lave vaisselle. Les pièces détachées se nettoient aussi dans de l'eau chaude savonneuse. Rincer à fond et sécher.

RANGEMENT DU MÉLANGEUR

Après nettoyage, réassembler le récipient, la lame avec la rondelle d'étanchéité, et l'anneau de serrage fileté. Ranger le mélangeur avec son couvercle entre-ouvert pour éviter la formation d'odeur à l'intérieur du récipient.

RECETTES

Pour vous procurer des recettes amusantes et imaginatives pour votre nouveau mélangeur Oster®, veuillez visiter www.oster.com. Vous y découvrirez tout ce que vous cherchez, de la parfaite boisson fouettée (Smoothie), aux soupes onctueuses, en passant par les sauces, et toute une série de boissons glacées Oster®. Pour une recette parfaitement adaptée à chaque occasion, brancher votre imagination avec Oster®!

BOISSON FOUETTÉE (SMOOTHIE) AUX PÊCHES

TASSES PAR RECETTE	YAOURT OZ. (G)	GLAÇONS (MOYENS)	TRANCHES DE PÊCHES SURGELÉES	BANANE SURGELÉE (MORCEAUX DE 2 PO. – 50 MM)	JUS DE RAISIN BLANC OZ. (ML)	GINGEMBRE MOULU (C. À THÉ)
2	8 (225 g)	2	5	2	3 (88 ml)	1/8
3	12 (340 g)	3	8	3	4 ½ (133 ml)	1/5
4	16 (450 g)	4	10	4	6 (177 ml)	1/4
5	20 (565 g)	5	13	5	7 ½ (222 ml)	1/3
6	24 (680 g)	6	15	6	9 (266 ml)	3/8

BOISSON FOUETTÉE (SMOOTHIE) AUX FRAISES

TASSES PAR RECETTE	YAOURT OZ. (G)	GLAÇONS (MOYENS)	FRAISES SURGELÉES (MAX. 1 PO – 25 MM)	BANANE SURGELÉE (MORCEAUX DE 2 PO. – 50 MM)	JUS DE RAISIN BLANC OZ. (ML)	GINGEMBRE MOULU (C. À THÉ)
2	7 (200 g)	2	2	2	3 (89 ml)	1/8
3	11 (310 g)	3	3	3	4 ½ (133 ml)	1/5
4	14 (400 g)	4	4	4	6 (177 ml)	1/4
5	18 (510 g)	5	5	5	7 ½ (222 ml)	1/3
6	21 (595 g)	6	6	6	9 (266 ml)	3/8

RECETTES

LAIT FRAPPÉ À LA VANILLE

TASSES PAR RECETTE	CRÈME GLACÉE (TASSES)	LAIT OZ. (ML)	VANILLE (C. À THÉ)
2	2	6 (177 ml)	1/8
3	3	9 (266 ml)	1/4
4	4	12 (355 ml)	1/4
5	5	15 (445 ml)	3/8
6	6	18 (530 ml)	3/8

MARGARITA

TASSES PAR RECETTE	TEQUILA OZ. (ML)	MÉLANGE MARGARITA (OZ.)	GLACE (TASSES)
2	2 (60 ml)	6 (170 g)	1 1/2
3	3 (89 ml)	9 (255 g)	2 1/2
4	4 (118 ml)	12 (340 g)	3
5	5 (150 ml)	15 (425 g)	4
6	5 1/2 (163 ml)	18 (510 g)	5

Garantie limitée d'un an

Sunbeam Products, Inc. faisant affaires sous le nom de Jarden Consumer Solutions ou, si au Canada, Sunbeam Corporation (Canada) Limited faisant affaires sous le nom de Jarden Consumer Solutions (collectivement « JCS ») garantit que pour une période d'un an à partir de la date d'achat, ce produit sera exempt de défauts de pièces et de main-d'oeuvre. JCS, à sa discrétion, réparera ou remplacera ce produit ou tout composant du produit déclaré défectueux pendant la période de garantie. Le produit ou composant de remplacement sera soit neuf soit réusiné. Si le produit n'est plus disponible, il sera remplacé par un produit similaire de valeur égale ou supérieure. Il s'agit de votre garantie exclusive. N'essayez PAS de réparer ou d'ajuster toute fonction électrique ou mécanique de ce produit, cela annulera cette garantie.

Cette garantie est valide pour l'acheteur initial du produit à la date d'achat initiale et ne peut être transférée. Conservez votre facture d'achat originale. Les détaillants et les centres de service JCS ou les magasins de détail vendant les produits JCS n'ont pas le droit d'altérer, de modifier ou de changer de toute autre manière les termes et les conditions de cette garantie.

Cette garantie ne couvre pas l'usure normale des pièces ou les dommages résultant de toute cause suivante : utilisation négligente ou mauvaise utilisation du produit, utilisation d'un voltage ou d'un courant incorrects, utilisation contraire aux instructions d'utilisation, démontage, réparation ou altération par quiconque autre que JCS ou un centre de service autorisé de JCS. En outre, la garantie ne couvre pas : les catastrophes naturelles comme les feux, les inondations, les ouragans et les tornades.

Quelles sont les limites de responsabilité de JCS ?

JCS ne sera pas tenu responsable de tout dommage conséquent ou accessoire causé par la violation de toute garantie ou condition expresse, implicite ou réglementaire.

Sauf si cela est interdit par les lois en vigueur, toute garantie ou condition implicite de valeur marchande ou adéquation à un usage particulier est limitée en durée à la durée de la garantie énoncée ci-dessus.

JCS exclut toute autre garantie, condition ou représentation, expresse, implicite, réglementaire ou autre.

JCS ne sera pas tenu responsable de tout dommage de toute sorte résultant de l'achat, de l'usage ou du mauvais usage, ou de l'incapacité à utiliser le produit y compris les dommages ou les pertes de profits conséquents, accessoires, particuliers ou similaires, ou pour toute violation de contrat, fondamentale ou autre, ou pour toute réclamation portée à l'encontre de l'acheteur par toute autre partie.

Certaines provinces, états ou juridictions ne permettent pas d'exclusion ou de limitation pour des dommages conséquents ou accessoires ou de limitations sur la durée de la garantie implicite, de ce fait les limitations ou exclusions ci-dessus peuvent ne pas s'appliquer à votre cas.

Cette garantie vous donne des droits juridiques particuliers et vous pouvez également disposer d'autres droits pouvant varier d'une province à l'autre, d'un état à l'autre ou d'une juridiction à l'autre.

Comment obtenir le Service aux termes de la garantie

Aux É.U.

Si vous avez des questions concernant cette garantie ou si vous souhaitez obtenir le service aux termes de la garantie, veuillez appeler au 1.800.334.0759 et l'adresse d'un centre de service approprié vous sera fournie.

Au Canada

Si vous avez des questions concernant cette garantie ou si vous souhaitez obtenir le service aux termes de la garantie, veuillez appeler au 1.800.667.8623 et l'adresse d'un centre de service approprié vous sera fournie.

Aux É.U., cette garantie est offerte par Sunbeam Products, Inc. faisant affaires sous le nom de Jarden Consumer Solutions, situé à Boca Raton, Floride 33431. Au Canada, cette garantie est offerte par Sunbeam Corporation (Canada) Limited faisant affaires sous le nom de Jarden Consumer Solutions, situé au 20 B Hereford Street, Brampton, Ontario L6Y 0M1. Pour tout autre problème ou réclamation en relation avec ce produit, veuillez écrire à notre département du Service à la clientèle.

VEUILLEZ NE PAS RETOURNER CE PRODUIT À AUCUNE DE CES ADRESSES OU À L'ÉTABLISSEMENT D'ACHAT.

NOTES

NOTES

NOTES



For product questions contact:
Jarden Consumer Service

USA: 1.800.334.0759
Canada: 1.800.667.8623
www.oster.com

©2010 Sunbeam Products, Inc. doing business as Jarden Consumer Solutions.
All rights reserved. Distributed by Sunbeam Products, Inc.
doing business as Jarden Consumer Solutions, Boca Raton, Florida 33431.

SPR-011110

Para preguntas sobre los productos llame:
Jarden Consumer Service

EE.UU.: 1.800.334.0759
Canadá: 1.800.667.8623
www.oster.com

©2010 Sunbeam Products, Inc. operando bajo el nombre de
Jarden Consumer Solutions. Todos los derechos reservados.
Distribuido por Sunbeam Products, Inc. operando bajo el nombre de
Jarden Consumer Solutions, Boca Raton, Florida 33431.

Pour les questions de produit:
Jarden Consumer Service

États-Unis : 1.800.334.0759
Canada : 1.800.667.8623
www.oster.com

© 2010 Sunbeam Products, Inc. faisant affaires sous le nom de
Jarden Consumer Solutions. Tous droits réservés. Distribué Sunbeam Products, Inc.
faisant affaires sous le nom de Jarden Consumer Solutions,
Boca Raton, Florida 33431.

Free Manuals Download Website

<http://myh66.com>

<http://usermanuals.us>

<http://www.somanuals.com>

<http://www.4manuals.cc>

<http://www.manual-lib.com>

<http://www.404manual.com>

<http://www.luxmanual.com>

<http://aubethermostatmanual.com>

Golf course search by state

<http://golfingnear.com>

Email search by domain

<http://emailbydomain.com>

Auto manuals search

<http://auto.somanuals.com>

TV manuals search

<http://tv.somanuals.com>