

Oster®

2LB. EXPRESSBAKE® BREADMAKER
2LB. EXPRESSBAKE® BREADMAKER

User Guide & Recipes/ Guía del Usuario & Recetas
CKSTBRTW20



Safety
Seguridad



How to use
Cómo usar



Cleaning
Cuidado y Limpieza



FAQs
Preguntas frecuentes



Recipes
Rectas



Warranty
Garantía

www.oster.com

IMPORTANT SAFEGUARDS

When using electrical appliances, basic safety precautions should always be followed including the following:

1. **Read all instructions, product labels and warnings before using the breadmaker.**
2. Do not touch hot surfaces. Always use oven mitts when handling hot materials, and allow metal parts to cool before cleaning. Allow the bread maker to cool thoroughly before putting in or taking off parts.
3. When unit is not in use and before cleaning, unplug the breadmaker from wall outlet.
4. To protect against risk of electrical shock, do not immerse appliance, cord or plugs in water or other liquids.
5. Close supervision is always necessary when this or any appliance is used by or near children, or incapacitated persons.
6. Do not place anything to rest on the power cord. Do not plug in cord where people may walk or trip on it.
7. Do not operate this or any appliance with a frayed or damaged cord, or plug, or after the appliance malfunctions or is dropped or has been damaged in any manner. Take appliance to the nearest authorized service facility for examination, repair, or electrical or mechanical adjustment.
8. Do not let the cord hang over the edge of a table or counter or touch hot surfaces. Do not place on an unsteady or cloth-covered surface.
9. Avoid contact with moving parts.
10. Do not use attachments not recommended by the manufacturer; they may cause fire, electric shock or injury.
11. Do not use outdoors or for commercial purposes.
12. Do not place the appliance near a hot gas or electric burner, or in a heated oven.
13. Do not use appliances for other than intended purpose.
14. To unplug, turn power off, grip plug and pull from wall outlet. Never pull on the cord.

This appliance has a polarized plug, (one blade is wider than the other). As a safety feature to reduce the risk of electrical shock, this plug is intended to fit in a polarized outlet only one way. If the plug does not fit fully in the outlet, reverse the plug. If it still does not fit, contact a qualified electrician. Do not attempt to defeat this safety feature or modify the plug in any way. If the plug fits loosely into the AC outlet or if the AC outlet feels warm do not use that outlet.

Use of extension cords: A short power supply cord has been provided to reduce the risk of injury resulting from becoming entangled in or tripping over a longer cord. Extension cords are available from hardware stores and may be used with care. The cord should be arranged so that it will not hang over the counter or tabletop where it can be pulled by children or tripped over accidentally.

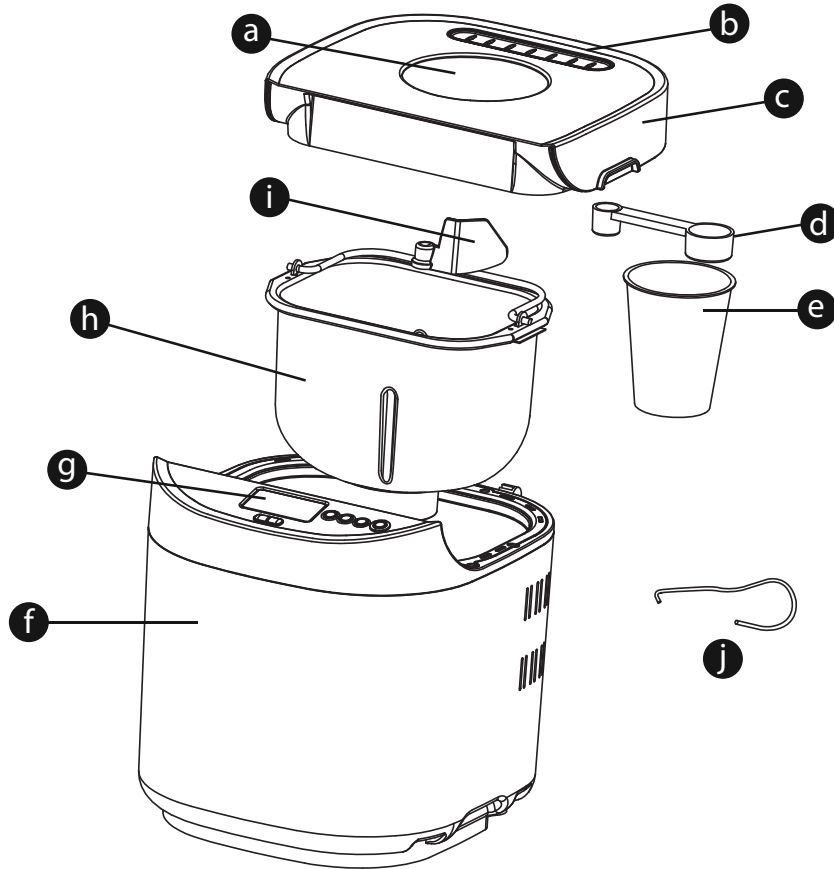
Electrical Power: If electric circuit is overloaded with other appliances, your breadmaker may not operate properly. The bread maker should be operated on a separate electrical circuit from other operating appliances.

THIS UNIT IS INTENDED FOR HOUSEHOLD USE ONLY.

SAVE THESE INSTRUCTIONS



LEARNING ABOUT YOUR EXPRESSBAKE® BREADMAKER



- | | |
|-------------------------------|--------------------------------------|
| a Glass viewing window | f Breadmaker |
| b Vent | g Control Panel/LCD Display |
| c Top lid assembly | h Removable Bread Pan |
| d Measuring Scoop | i Kneading Blade |
| e Measuring Cup | j Kneading blade removal tool |

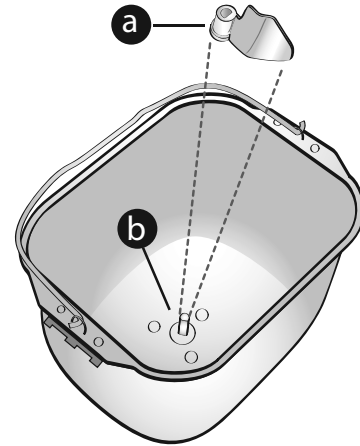




HOW TO:

Preparing your breadmaker

- 1 Place the breadmaker on a counter where the plug will reach an outlet. **DO NOT** yet plug the machine into the wall outlet. You will be shown later when to do this.
- 2 Make sure you can open the breadmaker top without hitting the top of kitchen cabinets.
- 3 Open the lid and remove the baking pan. To do this, simply grasp the handle of the pan and pull straight up. Use a gentle, non-abrasive soap and wash, rinse, and dry the pan thoroughly.
- 4 Attach the kneading blade (a) to the baking pan (b), as shown. You will find the kneading blade in a small plastic wrap attached to the power cord.
- 5 Set the pan aside. Do not yet place the pan into the breadmaker.



You're ready to start!



Baking Bread

The simplest way to learn how to bake bread is to follow a basic recipe. The following recipe is easy and the bread is delicious.

Before you begin make sure you have the following measuring equipment:

- Liquid measuring cup
- Dry measuring cups
- Measuring spoons

You will need the following ingredients:

- Water
- Butter/Margarine
- Salt
- Bread flour (be sure to buy bread flour, preferably for bread makers)
- Dry milk
- Sugar
- Active, fast rising yeast

Measuring ingredients

The most important secret of making bread is exact measurements, that's the key to successfully baking bread.

With wet ingredients, use ONLY measuring cups with the cups/ounces marked clearly on the side. After filling the measuring cup, place it on a flat surface and view it at eye level to make sure the amount of liquid is exact. Then, double check.

With dry ingredients, always "level off" the measurement with the back of a knife or a spatula to make sure the measurement is exact. Another helpful tip is to never use the cup to scoop the ingredients (for example, flour). By scooping, you could add up to one tablespoon of extra ingredients. Fill the measuring cup with a spoon before leveling off.

Order of adding ingredients

The SECOND most important secret of making bread is putting the ingredients into the breadmaker in the EXACT order given in the recipe.

This means:

- FIRST, liquid ingredients
- SECOND, dry ingredients
- LAST, yeast

Also, make sure ALL ingredients are at room temperature, (between 77°–85° F) unless otherwise noted in the recipe.

Note: Temperatures too cool or too hot can affect the way the bread rises and bakes. It's a good idea to start with all new, fresh ingredients (especially fresh flour and yeast).

Now, let's try a simple (but really good) recipe.



Traditional White Bread 2 lb. loaf

Ingredients:

- 1 & 3/8 cups water
- 2 tablespoons softened butter or margarine
- 4 cups bread flour
- 2 tablespoons sugar
- 2 tablespoons dry milk
- 1 & 3/4 teaspoons salt
- 2 & 1/4 teaspoons active dry yeast

Instructions:

- 1** Carefully measure 1 and 3/8 cups water. Remember, use water that is room temperature. DO NOT use very hot or very cold water. It's a good idea to view the measuring cup at eye level to make sure you have measured exactly 1 and 3/8 cups.
- 2** Pour the water into the bread pan.
- 3** Carefully measure 2 tablespoons of butter or margarine that is at room temperature. Add this to the bread pan. This takes care of all of the liquid ingredients for the recipe. Next comes the dry ingredients.
- 4** Measure 4 cups of bread flour. Make sure not to "overpack" the flour into the cup. To avoid over packing, a good trick is to fill the measuring cup to overflowing, then tap the side of the cup with a knife or spatula to remove air pockets. Level off the measuring cup with the knife or spatula. Pour the flour into the bread pan.
- 5** Measure 2 tablespoons of sugar. Again, make sure to level off the tablespoons for an exact measurement. Add the sugar into the bread pan.
- 6** Measure 2 tablespoons of dry milk. Level off the tablespoons of dry milk like all of the rest of the dry ingredients. Add the dry milk to the bread pan.
- 7** Measure 1 & 3/4 teaspoons of salt. It is especially important to measure the salt precisely because too much salt, even a little, can affect the rising of the dough. Add the salt to the bread pan.
- 8** Before adding the yeast, use your finger to form a well (hole) in the flour where you will pour the yeast. Yeast must NEVER come into contact with a liquid when you are adding ingredients. Measure (again, leveling off) 2 & 1/4 teaspoons of yeast and carefully pour it into the well you made in the flour.
- 9** Carefully snap the baking pan into the breadmaker.
- 10** Close the lid of the bread machine and plug the power cord into the wall outlet. The following things will happen. The machine will "beep," and the lights of the display will turn on. The time setting will say "3:25" hours.
- 11** Repeatedly press the "Crust Color" button to select the kind of crust you want. For this recipe we recommend "Medium". Depending on the crust color you select, the arrow will be pointing to either light, medium or dark.
- 12** Press the "Start/Stop" button and your machine will start making bread. You will hear the breadmaker begin to mix the ingredients.



Note: It is important that you DO NOT press the "Start/Stop" button while the breadmaker is making bread. If you do, the machine will turn off and you will need to start over again, from scratch.

Note: It is important that you should not raise the lid for this recipe. (For other recipes you try later, you will need to raise the lid to add nuts, fruits, or other ingredients.)

Caution: The breadmaker is very hot DO NOT handle the machine while it's operating. DO NOT lift the lid while the breadmaker is baking bread.

Bread Machine Stages (for 2 lb. loaves)

It's fun to watch your bread being made through the viewing window. For the basic cycle, you can expect the following things to happen as the timer counts down to zero.

To begin: The ingredients are kneaded for the first time (5 minutes)

At 3:20, the dough rests for 5 minutes

At 3:15, the dough is kneaded for the second time (20 minutes)

At 2:55, the dough begins to rise (39 minutes)

At 2:16, the dough is "punched down" (10 seconds)

At 2:16, the dough continues to rise (25 minutes and 50 seconds)

At 1:50, the dough is shaped (15 seconds)

At 1:50, the dough comes to the last period of rise (48 minutes and 45 seconds)

At 0:60, the dough begins to bake (60 minutes)

At 0:00, the bread is finished.

After the bread is baked

Caution: Do not put your face near the lid when you open the breadmaker, hot steam may escape that could burn you.

Important: The breadmaker has an automatic "keep warm" setting that will keep your bread warm for up to one hour, we recommend however to remove the bread from the breadmaker right away to preserve its freshness.

- 1 Use pot holders or oven mitts to carefully lift the pan by its handle from the breadmaker.
- 2 Turn the pan upside down onto a cooling rack and gently shake it until the bread comes out. If it sticks, take a rubber spatula (metal can damage the pan's surface) and carefully go around the sides of the loaf until the bread comes out.
- 3 If the kneading blade comes out with the bread, use the included kneading blade removal tool to remove it from the loaf, Remember, it will be hot!

Allow the bread to cool for 15 minutes before slicing and enjoying it.

Important: If you wish to make another loaf of bread right away, please allow the breadmaker to cool down for 10 to 15 minutes with the cover open and the pan removed.



Overview of Breadmaker Functions

Bread function:

Please refer to the relative recipe and follow the below process

- 1 Insert the kneading blade into the bread pan.
- 2 Place ingredients in the bread pan in the following order: liquid ingredients first, dry ingredients (except yeast) second and yeast last. **Note:** Yeast must NEVER come into contact with a liquid when you are adding ingredients.
- 3 Insert bread pan into breadmaker then gently close the lid.
- 4 Plug in the breadmaker, the LCD will display "MENU 1 TIMER 3:25".
- 5 Press the Menu Select button to choose the type of bread desired (Basic, French, Whole Wheat, Sweet, Express Bake (1.5lbs.), Express Bake (2.0lbs.), Quick, European, Dough, Bagel Dough). Note: Display will indicate the Menu number corresponding to the bread type selected from 1 to 10.
- 6 Press the Crust Color Button to select the color crust desired (Light, Medium, Dark or Rapid). Note: Display will indicate the crust color with an arrow pointing to the corresponding crust color selected (select programs have fixed settings).
Note: Rapid setting is available on Basic, French or Whole Wheat programs and reduces the total time by about an hour for quicker results.
- 7 Press Loaf Size button to select loaf size (1.0lb, 1.5lb or 2.0lb). Note: Display will indicate the loaf size with an arrow pointing to the corresponding loaf size selected (select programs have fixed settings).
- 8 If delay time is needed, press the up or down delay time arrows to adjust the delay timer accordingly, the delay timer can be set for up to 13 hours. Note: The delay time is calculated as the working time plus the delayed time (example for basic bread 2.0 lbs: delay time set to 13:00 hours = a delay time of 9 hrs. & 35 min. plus the working time of 3 hrs. & 25 min. for basic bread 2.0 lbs).
- 9 Press the "Start/Stop" button to start the breadmaker.
- 10 If you need to stop the breadmaker, press the "Start/Stop" button for about 1 second, the breadmaker will stop, however you will need to redo the process.
- 11 Once the program is complete and the display shows "0:00", it will beep 15 times as a warning then it will switch to keep warm mode. In keep warm mode, the "0:00" will flash.
Note: Keep warm mode will last for up to 1 hour, after 1 hour it will beep 15 times and go back to the initial status.
- 12 When the machine beeps, indicating the program is finished, pull the bread pan straight up and out of the machine with oven mitts. Turn the bread pan upside down and gently shake until bread falls out. Take out the kneading blade from the bottom of bread using the included kneading blade removal tool and you are ready to eat.

Dough function:

The dough function program is similar to the bread function, except that there is no baking mode operation. When the program is finished, it will beep 5 times as a warning. When the machine beeps, indicating the program is finished, remove the dough from the bread pan.

Baking function:

This function can be used to bake bread or other dough. Please refer to the relative recipe and follow the below process



- 1 Insert the bread pan into the breadmaker.
- 2 Place all small pieces of food in a cluster inside the bread pan, then close the lid.
- 3 Press the Menu Select button to select the Baking function.
- 4 Press the "Start/Stop" button to start the baking program.
- 5 Once the program is complete and the display shows "0:00", it will beep 5 times as a warning then it will switch back to the initial status.
- 6 At any time during the baking process, you can stop the program by pressing the "Start/Stop" button.

Note: For more even baking, it is recommended to slice food into smaller sizes and distribute them evenly in the bread pan.

Breadmaker Settings (for 2 lb. loaves)

Your breadmaker can bake almost any kind of bread. Recipes are included to clearly show you which setting you should use. This model has 12 settings total – 9 bread settings (basic, French, whole wheat, sweet, European, dough, bagel, jam and bake) and 3 fast bake settings (express bake 1.5lbs., express bake 2.0lbs. and quick).

- 1 Basic 2 lbs. (Time: 3 hours, 25 minutes)
- 2 French 2 lbs. (Time: 3 hours, 35 minutes)
- 3 Whole Wheat 2 lbs. (Time: 3 hours, 23 minutes)
- 4 Sweet 2 lbs. (Time: 3 hours, 27 minutes)
- 5 Express Bake 1.5 lb (Time: 58 minutes)
- 6 Express Bake 2.0 lb (Time: 58 minutes)
- 7 Quick 2 lbs. (Time: 1 hour, 43 minutes)
8. European 2 lbs. (Time: 3 hours, 30 minutes)
- 9 Dough (Time: 1 hour, 30 minutes)
- 10 Bagel Dough (Time: 2 hours)
- 11 Jam (Time: 1 hour, 5 minutes)
- 12 Bake (Time: 1 hour)

Note: Times are approximate based on loaf size.

Basic - This setting is probably used more than any other because it gives you the best results with just about any recipe.

French - Use this setting for making French breads. French bread takes longer to knead, rise, and bake, providing a heartier crust.

Whole Wheat - The whole wheat setting offers a longer rise time for breads that contain more than 50% whole wheat flour.

Sweet - The sweet setting is for baking breads with high amounts of sugar, fats, and proteins, all of which tend to increase browning.

Express Bake(1.5LB) - Use this setting for baking smaller loaves of bread in under one hour.

Express Bake (2.0LB) - Use this setting for baking larger loaves of bread in under one hour.

Quick - Use this setting for baking bread quickly - time is slightly longer than Express Bake but the texture will be finer.

European - Use this setting for baking European style breads like sourdough to focaccia to raisin pumpernickel.



Dough - This setting lets you prepare dough for rolls, specialty breads, pizza, etc. which you shape by hand, allow to rise, then bake in a conventional oven.

Bagel Dough - This setting lets you prepare dough for bagels which you shape by hand, allow to rise, then bake in a conventional oven.

Jam - This setting is for baking jams and marmalades

Bake - This setting is for baking dough.



EXPRESSBAKE® Breadmaker Setting:

Making Bread In Under 1 Hour

Your OSTER® breadmaker can bake great bread in under 1 hour.

This is called the “EXPRESSBAKE® Breadmaker” setting. EXPRESSBAKE® Breadmaker setting loaves are a little different from loaves baked on non-EXPRESSBAKE® Breadmaker settings. Make sure to try the different settings to see which of them you prefer.

There are a few things you should know about the EXPRESSBAKE® Breadmaker settings that are different than the other settings.

- EXPRESSBAKE® Breadmaker setting breads tend to have a darker, thicker crust than other kinds of bread. Sometimes there will be a crack in the top of the crust. This is because baking is done at higher temperatures. They also tend to be shorter, denser loaves.
- You CANNOT use the Delay Timer for the EXPRESSBAKE® Breadmaker settings. This would cool the liquid ingredients and affect the way that the bread rises.
- You CANNOT use the “Crust Color” buttons for EXPRESSBAKE® Breadmaker setting breads.
- DO NOT open the cover while making EXPRESSBAKE® Breadmaker setting breads.
- If the loaf is hard to remove from the pan let it sit for about 5 minutes to cool. Gently shake the bread out of the pan and wait for 15 minutes before slicing.
- If you wish to bake another Loaf of bread, you must let the bread maker cool for 20 minutes with the cover open.
- YOU CAN use standard bread mixes for EXPRESSBAKE® Breadmaker setting breads, but the results may not be as good as the results when using the recipes within this book

EXPRESSBAKE® Breadmaker Setting Tips and Hints

Yeast

Always use a fast rising yeast. DO NOT use active dry yeast for EXPRESSBAKE® Breadmaker settings because the loaves will be much shorter when baked.

Liquids

Always use hot water in the range of 115°–125° F. You must use a cooking thermometer to gauge the temperature; hotter water can kill the yeast while cooler water may not activate it.

Salt

As a rule, you should use LESS salt for EXPRESSBAKE® Breadmaker setting breads. Less salt provides you with a higher loaf. Make sure to follow your Oster® Breadmaker recipe suggestions for best results.

Other Ingredients

Make sure all other ingredients (like flour, sugar, dry milk, butter, etc.) are at room temperature. Always use bread flour for the EXPRESSBAKE® Breadmaker settings.



Things You May Need to Buy

- You should only use “Bread Machine” flour for the EXPRESSBAKE® Breadmaker setting recipes.
- You may need a cooking thermometer to measure the temperature of the water you use in these recipes. You should only use hot water (between 115° and 125° F) for EXPRESSBAKE® Breadmaker setting recipes.

Although baking EXPRESSBAKE® Breadmaker setting breads is a little different, the results and convenience are well worth it.

The following recipe is a great one to try for your first EXPRESSBAKE® Breadmaker setting loaf.

Traditional White Bread 1–1/2 lb. loaf

Ingredients:

1 cup + 2 tablespoons	2 tablespoons sugar
9 ounces total) of hot water (115° – 125°)	1 teaspoon salt
2 tablespoons oil (room temperature)	3 cups Bread Machine flour
	5 teaspoons fast-rising yeast

Instructions:

- 1 Carefully measure 1 cup and 2 tablespoons (9 ounces total) of hot water. Remember, it’s a good idea to view the measuring cup at eye level to make sure you have measured exactly 1 cup and 2 tablespoons (9 ounces total).
- 2 Use a cooking thermometer to make sure the temperature of the water is between 115° – 125° F. When water is at the proper temperature, pour into the bread pan.
- 3 Carefully measure and add 2 tablespoons oil that is at room temperature.
- 4 Carefully measure and add the salt and sugar to the bread pan.
- 5 Measure and add exactly 3 cups of bread flour to the bread pan. Remember to make sure not to “overpack” the flour into the cup. To avoid over packing, a good trick is to fill the measuring cup to overflowing, then tap the side of the cup with a knife or spatula to remove air pockets. Level off the measuring cup with the knife or spatula.
- 6 Before adding the yeast, use your finger to form a well (hole) in the flour where you will pour the yeast. Yeast must NEVER come into contact with a liquid when you are adding ingredients. Measure (again, leveling off) 5 teaspoons of a fast-rising yeast and carefully pour it into the well you made in the flour.
- 7 Carefully snap the baking pan into the breadmaker.
- 8 Close the lid of the bread machine and plug the power cord into the wall outlet. The following things will happen. The machine will “beep,” and the lights of the display will turn on. The time setting will say “3:25” hours.
- 9 Repeatedly press the “Menu Select” button to select the EXPRESSBAKE® Breadmaker (1.5LB) setting.
- 10 Press the “Start/Stop” button and your machine will start making bread. You will hear the breadmaker begin to mix the ingredients.

Note: It is important that you DO NOT press the “Start/Stop” button while the breadmaker is making bread. If you do, the machine will turn off and you will need to start over again, from scratch.

Note: DO NOT raise the lid when using the EXPRESSBAKE® Breadmaker setting. Doing so can affect the rising of the dough.



Caution: The breadmaker is very hot DO NOT handle the machine while it's operating.

After the EXPRESSBAKE® Breadmaker setting bread is baked

Caution: Do not put your face near the lid when you open the breadmaker, Hot steam may escape that could burn you.

Important: The breadmaker has an automatic "keep warm" setting that will keep your bread warm for up to one hour, We recommend however to remove the bread from the breadmaker right away to preserve its freshness.

- 1 Use pot holders or oven mitts to carefully lift the pan by its handle from the breadmaker.
- 2 Turn the pan upside down onto a cooling rack and gently shake it until the bread comes out. If it sticks, take a rubber spatula (metal can damage the pan's surface) and carefully go around the sides of the loaf until the bread comes out.
- 3 If the kneading blade comes out with the bread, use the included kneading blade removal tool to remove it from the loaf, Remember, it will be hot!

Allow the bread to cool for 15 minutes before slicing and enjoying it.

Important: If you wish to make another loaf of bread right away, please allow the breadmaker to cool down for 10 to 15 minutes with the cover open and the pan removed.

Using the Delay Timer

You can delay the time your bread maker starts to have fresh bread ready when you get up in the morning or when you come from work.

We recommend that before you use the Delay Timer, you try out a few recipes. Use recipes that have produced good results for you in the past.



Important: You CANNOT use the Delay Timer for EXPRESSBAKE® Breadmaker settings.

Before using the Delay Timer:

- 1 Add all of the ingredients of the recipe.
- 2 Select the correct setting for the kind of bread you are making (French, Sweet, etc.).
- 3 Select the crust color.

Caution: Do not use recipes with ingredients that can spoil like eggs or milk.

To Use the Delay Timer:

- 1 Figure out how many hours and minutes there are between now and when you want final, baked bread. For example, if it is 8:00 AM and you want bread ready for dinner at 6:00 PM, that is 10 hours.
- 2 Use the delay timer up button to advance the time in 10 minute increments. In our example, you will do this until the timer reads "10:00." If necessary, use the delay timer down button to decrease the time. (To advance the time quickly, simply press and hold down the delay timer up/down buttons.)

Important: If you make a mistake or wish to start over, press and hold down the "Start/Stop" button until you hear a beep, then press the "Start/Stop" button one more time. The display will show the original setting and cycle time. The delay timer is canceled and you can start again.



3 When the delay timer is set where you want it, make sure to press the “Start/Stop” button. The colon “:” will flash and your bread will be ready when you planned.

Important: When using the delay timer during times of hot weather, you may wish to reduce the liquid in your recipe by 1 or 2 tablespoons. This is to prevent the dough from rising too much. You may also reduce the salt by 1/8 or 1/4 teaspoons and try cutting the amount of sugar you use by 1/4 teaspoon at a time.

Tips and Hints

Experienced cooks consider bread making to be as much of an art as a science. Keep in mind that some recipes may require a little experimentation before they are exactly the way you want them. Just don't give up. Still, there are special hints to ensuring quality bread almost every time.

Use Exact Measurements

We've already mentioned how important it is to use exact measurements when baking bread, but it should be said again. Level off all dry ingredients and make sure that all liquid ingredients are measured in a glass cup with the markings clearly labeled on the side.

Use Fresh Ingredients

You should always use fresh ingredients. The reasons are:

- **Flour** - If you have stored your flour for a long time, it may have become wet from absorbing moisture, or dry, depending on the area of the country in which you live. We recommend using fresh bread flour.
- **Yeast** - Fresh yeast is probably the most important ingredient in baking bread. If the yeast is not fresh, your bread may not rise. It is better to buy new yeast than to take a chance on yeast that has been stored for a long time.

You can test the freshness of your yeast. Simply fill a cup with warm water, then add and stir in 2 teaspoons of sugar. Sprinkle a few teaspoons of yeast on the surface of the water and wait. After 15 minutes, the yeast should foam and there should be distinct odor. If neither reaction happens, the yeast is old and should be thrown away.

Add Ingredients in the Correct Order

Read all recipes from top to bottom, and remember:

- FIRST, liquid ingredients
- SECOND, dry ingredients
- LAST, yeast

Check the Doughball

This is a secret well known by people who make bread the old fashioned way. While hand kneading the mixture, they adjust the consistency of the dough by adding a little flour or a little water until the doughball is just right. Although the breadmaker kneads the dough for you, this secret is still true. Here's what you should do.

If the doughball is too wet

During the second kneading cycle, check the consistency of the doughball. If the doughball appears sticky or wet, like pancake batter, sprinkle in flour, a tablespoon at a time, until the dough ball appears smooth, round, and dry and circles nicely in the pan.



If the doughball is too dry

If the doughball appears flaky, or you hear your breadmaker begin to make “knocking” sounds, the doughball is too dry. To correct this problem, simply sprinkle in water, a teaspoon at a time, until the doughball appears smooth, round and dry, and circles nicely in the pan. Be careful not to add too much water.

For Baking at High Altitudes

If you live above 3000 feet, you probably already know how to adjust other recipes like cakes and muffins.

Higher altitudes tend to:

- Make dough rise faster
- Make flour drier

To compensate for high altitude baking, we recommend the following:

If the dough is too dry

- Increase the amount of water to the recipe, sometimes as much as 2–4 tablespoons per cup.

If the bread rises too high

- Reduce the amount of yeast. For each teaspoon of yeast, try reducing the yeast by 1/8 to 1/4 teaspoon.
- Reduce the amount of sugar. For each tablespoon of sugar, reduce the amount by 1 to 2 teaspoons.

Measurement Equivalency Chart

The following chart will help you convert measurements used in the recipes.

For example: 1/2 tablespoon = 1–1/2 teaspoons

Fluid Ounce(s)		Cup(s)		Tablespoon(s)		Teaspoon(s)
8	=	1	=	16	=	48
7	=	7/8	=	14	=	42
6	=	3/4	=	12	=	36
5	=	5/8	=	10	=	30
4	=	1/2	=	8	=	24
3	=	3/8	=	6	=	18
2	=	1/4	=	4	=	12
1	=	1/8	=	2	=	6
	=		=	1	=	3
				1/2	=	1 1/2





CARE & CLEANING

Taking Care of Your Bread Machine

Caution: Do not put the breadmaker in water or in a dishwasher, Do not use benzene, scrubbing brushes, or chemical cleaners as these will damage the machine. Do not immerse in liquids. Press Stop Button and remove cord plug from wall outlet. Allow to cool.

Use only a mild, non-abrasive cleaner to clean the breadmaker.

General cleaning

- 1 Remove all bread crumbs by wiping them away with a slightly damp cloth.
- 2 DO NOT bend the heating element which is located on the inside of the breadmaker.

Cleaning the baking pan and kneading blade

- 1 Wipe the baking pan and kneading blade with a damp cloth and dry completely.
- 2 DO NOT wash the pan or parts in the dishwasher. This will damage the finish of the pan and the other parts.

Caring for your bread maker

- 1 Keep your breadmaker clean at all times.

Caution: Do not use metal utensils with the breadmaker. This will damage the non-stick pan and other parts.

- 2 Don't worry if the color of the bread pan changes over time. The color change is a result of steam and other moisture and does not affect the machine's performance.
- 3 If you have trouble removing the kneading blade, place warm water in the bread pan for 10–15 minutes and this will loosen the blade.

Storing your breadmaker

- 1 Make sure the machine is clean and dry before storing.
- 2 Store the breadmaker with the lid closed.
- 3 Do not place heavy objects on the lid.
- 4 Remove the kneading blade and place inside the bread pan.



Troubleshooting

If you experience difficulties when operating the breadmaker, review the troubleshooting information in this section to find a solution. If you are unable to find a solution, please call our Consumer Relations Department at 1(800)334-0759.

If you have a power outage

This unit has a memory function if the power goes out while you are using your breadmaker.

- 1 If the power goes out while working and is out for less than 6 min., when the power comes back on the unit will resume the program from where it left off.
- 2 If the power goes out while working and is out for more than 6 min., when the power comes back on the unit will not resume the program.

When the power is out for more than 6 min., when it comes back on, you should do the following:

- 1 Hold down the "Start/Stop" button for at least 3 seconds. If the display does not return to the time setting before the outage, unplug the bread maker and then plug it back in.
- 2 If the machine still does not start, hold down the "Start/Stop" button a second time for 3 seconds. Continue to unplug and re-plug the machine and hold down the "Start/Stop" button until the display returns to the cycle time before the power outage.

Understanding Display Information

What do I do if my display does not light up?

Confirm your breadmaker is plugged in.

What do I do if my display shows 0:00 and the colon ":" is flashing?

There is no problem. This just means the baking cycle is over and the breadmaker is keeping your bread warm. Press the "Start/Stop" button to turn off the keep warm feature.

What do I do if my display shows "E00" or "E01" and continuously beeps?

This happens when the internal temperature of the chamber is too high (>136°F) or too low (< -4°F).

- 1 Let the unit sit and come back to room temperature then check if it can operate again.
- 2 If it still does not operate, call the service center for repair.

What do I do if my display shows "EEE" and continuously beeps?

Temperature sensor circuit is broken. Call the service center for repair.

What do I do if my display shows "HHH" and continuously beeps?

Temperature sensor circuit is bypassed. Call the service center for repair.

Troubleshooting Breadmaker Problems

What do I do if I see smoke or smell a burning odor from the back of the machine?

Ingredients have spilled out of the bread pan and into the machine itself. Stop the breadmaker and allow it to cool off. Clean the breadmaker before using it again. Please see the "Care & Cleaning" section of the manual.

What do I do if the dough does not mix?

Make sure the baking pan and kneading blade are properly installed in the machine.

Troubleshooting Baking Problems

What do I do if the sides of the bread collapse and the bottom of the bread is damp?

There are several possible solutions. The bread may have been left in the bread pan too long after baking. Remove the bread from the pan sooner and allow it to cool. Try using more flour (a teaspoon at a time), or less yeast (1/4 teaspoon at a time), or less water or liquid (a teaspoon at a time). This could also be the result of forgetting to add salt to the recipe.

What do I do if the bread has a heavy, thick texture?

Try using less flour (a teaspoon at a time), or more yeast (1/4 teaspoon at a time). This could also be the result of using old flour or the wrong type of flour for the recipe.

What do I do if the bread is not baked completely in the center?

Try using more flour (a teaspoon more at a time), or less water or liquid (a teaspoon less at a time). Do not lift the lid too often during baking.

What do I do if the bread has a coarse or holey texture?

This is usually the result of forgetting to add salt to the recipe.

What do I do if the bread rose too much?

Try using less yeast (1/4 teaspoon less at a time). This could also be the result of forgetting to add salt to the recipe or forgetting to put the kneading blade into the baking pan.

What do I do if the bread did not rise enough?

There are several possible solutions. Try using less flour (a teaspoon less at a time), more yeast (1/4 teaspoon more at a time), or less water (a teaspoon less at a time). This could also be the result of:

- forgetting to add salt to the recipe,
- using old flour or the wrong kind of flour for the recipe,
- using old yeast,
- or not using hot water (except for the EXPRESSBAKE® Breadmaker cycles).

What do I do if the bread has a floured top?

This is usually a result of using too much flour or not enough water. Try using less flour (a teaspoon or less at a time), or try using more yeast (1/4 teaspoon less at a time).

What do I do if the bread is too brown?

This is usually the result of adding too much sugar to the recipe. Try using less sugar (1 tablespoon at a time). You can also try selecting a lighter crust color selection.

What do I do if the bread is not brown enough?

This is usually the result of repeatedly lifting the lid of the bread machine or leaving the lid open while the bread is baking. Be sure the lid is shut while the breadmaker is in operation.





RECIPES

Basic Setting Recipes (Menu 1)

Basic bread machine stages (for 1.5 lb. loaves)

For the basic cycle, you can expect the following things to happen as the timer counts down to zero.

To begin: The ingredients are kneaded for the first time (5 minutes)

At 3:13, the dough rests for 5 minutes

At 3:08, the dough is kneaded for the second time (20 minutes)

At 2:48, the dough begins to rise (39 minutes)

At 2:09, the dough is "punched down" (10 seconds)

At 2:09, the dough continues to rise (25 minutes and 50 seconds)

At 1:43, the dough is shaped (15 seconds)

At 1:43, the dough comes to the last period of rise (48 minutes and 45 seconds)

At 0:53, the dough begins to bake (53 minutes)

At 0:00, the bread is finished.

Note: Rapid Setting will reduce total time by about an hour.

Traditional White Bread

Basic

1.5 pound loaf

1 cup water
2 tablespoons butter or margarine
1 and 1/2 teaspoons salt
3 cups bread flour
2 tablespoons dry milk
1 tablespoon sugar
2 teaspoons active dry yeast

2 pound loaf

1 and 3/8 cups water
2 tablespoons butter or margarine
1 and 3/4 teaspoons salt
4 cups bread flour
2 tablespoons dry milk
2 tablespoons sugar
2 and 1/4 teaspoons active dry yeast

- 1 Measure and add liquid ingredients to the bread pan.
- 2 Measure and add dry ingredients (except yeast) to the bread pan.
- 3 Use your finger to form a well (hole) in the flour where you will pour the yeast. Yeast must NEVER come into contact with a liquid when you are adding ingredients. Measure the yeast and carefully pour it into the well.
- 4 Snap the baking pan into the breadmaker and close the lid.
- 5 Press the "Menu Select" button to choose the Basic setting.
- 6 Press the "Loaf Size" button to choose 1 lb., 1.5 lb., or 2 lb.
- 7 Press the "Crust Color" button to choose light, medium, dark or rapid crust.
- 8 Press the "Start/Stop" button.



Country White Bread (no Delay Timer) - 2 lb. loaf

Basic

1 cup warm milk (110°–115°F) 4 cups bread flour
1 and 1/2 tablespoons butter or margarine 1 and 1/2 tablespoons sugar
1 large egg 2 teaspoons active dry yeast
1 and 1/2 teaspoons salt

- 1 Measure and add liquid ingredients to the bread pan.
- 2 Measure and add dry ingredients (except yeast) to the bread pan.
- 3 Use your finger to form a well (hole) in the flour where you will pour the yeast. Yeast must NEVER come into contact with a liquid when you are adding ingredients. Measure the yeast and carefully pour it into the well.
- 4 Snap the baking pan into the breadmaker and close the lid.
- 5 Press the "Menu Select" button to choose the Basic setting.
- 6 Press the "Loaf Size" button to choose 1 lb., 1.5 lb., or 2 lb.
- 7 Press the "Crust Color" button to choose light, medium, dark or rapid crust.
- 8 Press the "Start/Stop" button.

Potato Bread - 2 lb. loaf

Basic

1 and 3/8 cups water 2 tablespoons sugar
2 tablespoons butter or margarine 1/4 cup instant potato flakes
1 and 1/4 teaspoons salt 2 tablespoons dry milk
4 cups bread flour 1 and 3/4 teaspoons active dry yeast

- 1 Measure and add liquid ingredients to the bread pan.
- 2 Measure and add dry ingredients (except yeast) to the bread pan.
- 3 Use your finger to form a well (hole) in the flour where you will pour the yeast. Yeast must NEVER come into contact with a liquid when you are adding ingredients. Measure the yeast and carefully pour it into the well
- 4 Snap the baking pan into the breadmaker and close the lid.
- 5 Press the "Menu Select" button to choose the Basic setting.
- 6 Press the "Loaf Size" button to choose 1 lb., 1.5 lb., or 2 lb.
- 7 Press the "Crust Color" button to choose light, medium, dark or rapid crust.
- 8 Press the "Start/Stop" button.

Oatmeal Bread - 2 lb. loaf

Basic

1 and 1/4 cups water 3 and 3/4 cups bread flour
3 tablespoons honey 2 tablespoons oat bran
2 tablespoons butter or margarine 2 tablespoons dry milk
3/4 cup quick-cook oats 2 teaspoons active dry yeast
1 and 3/4 teaspoons salt

- 1 Measure and add liquid ingredients to the bread pan.
- 2 Measure and add dry ingredients (except yeast) to the bread pan.
- 3 Use your finger to form a well (hole) in the flour where you will pour the yeast. Yeast must NEVER come into contact with a Liquid when you are adding ingredients. Measure the yeast and carefully pour it into the well.
- 4 Snap the baking pan into the breadmaker and close the lid.
- 5 Press the "Menu Select" button to choose the Basic setting.
- 6 Press the "Loaf Size" button to choose 1 lb., 1.5 lb., or 2 lb.
- 7 Press the "Crust Color" button to choose light, medium, dark or rapid crust.
- 8 Press the "Start/Stop" button.



Raisin Bread (no Delay Timer)

Basic

1.5 pound loaf

7/8 cups water
1 and 1/2 tablespoons butter or margarine
1 teaspoon salt
3 cups bread flour
2 tablespoons sugar
1 and 1/2 tablespoons dry milk
1 teaspoon cinnamon
1 and 3/4 teaspoons active dry yeast
3/4 cups raisins (see note below)

2 pound loaf

1 and 1/4 cups water
2 tablespoons butter or margarine
1 and 1/2 teaspoons salt
4 cups bread flour
3 tablespoons sugar
2 tablespoons dry milk
1 and 1/2 teaspoons cinnamon
2 and 1/4 teaspoons active dry yeast
1 cup raisins (see note below)

- 1 Measure and add liquid ingredients to the bread pan.
- 2 Measure and add dry ingredients (except yeast) to the bread pan.
- 3 Use your finger to form a well (hole) in the flour where you will pour the yeast. Yeast must NEVER come into contact with a Liquid when you are adding ingredients. Measure the yeast and carefully pour it into the well.
- 4 Snap the baking pan into the breadmaker and close the lid.
- 5 Press the "Menu Select" button to choose the Basic setting.
- 6 Press the "Loaf Size" button to choose 1 lb., 1.5 lb., or 2 lb.
- 7 Press the "Crust Color" button to choose light, medium, dark or rapid crust.
- 8 Press the "Start/Stop" button.

Note: When adding fruit ingredients like raisins, the bread machine will make a beeping signal during the kneading cycle. When the bread machine beeps during the kneading cycle. Raise the lid and sprinkle the raisins in, a few at a time, until they are kneaded with the dough.

Light Rye Bread - 1.5 lb. loaf

Basic

1 and 3/8 cups water
1 and 1/2 tablespoons butter or margarine
1 and 1/2 teaspoons salt
3 cups bread flour

1 cup rye flour
2 tablespoons packed brown sugar
2 teaspoons active dry yeast

- 1 Measure and add liquid ingredients to the bread pan.
- 2 Measure and add dry ingredients (except yeast) to the bread pan.
- 3 Use your finger to form a well (hole) in the flour where you will pour the yeast. Yeast must NEVER come into contact with a liquid when you are adding ingredients. Measure the yeast and carefully pour it into the well.
- 4 Snap the baking pan into the breadmaker and close the lid.
- 5 Press the "Menu Select" button to choose the Basic setting.
- 6 Press the "Loaf Size" button to choose 1 lb., 1.5 lb., or 2 lb.
- 7 Press the "Crust Color" button to choose light, medium, dark or rapid crust.
- 8 Press the "Start/Stop" button.



European Setting Recipes (Menu 8)

European Bread Machine Stages - (for 1.5 lb. loaves - loaf size is preset)

For the European cycle you can expect the following things to happen as the timer counts down to zero.

To begin: The ingredients are kneaded for the first time (5 minutes)

At 3:25, the dough rests for 10 minutes

At 3:15, the dough is kneaded for the second time (20 minutes)

At 2:55, the dough begins to rise (39 minutes)

At 2:15, the dough is "punched down" (10 seconds)

At 2:15, the dough continues to rise (25 minutes and 50 seconds)

At 1:49, the dough is shaped (10 seconds)

At 1:49, the dough comes to the last period of rise (49 minutes and 50 seconds)

At 0:60, the dough begins to bake (60 minutes)

At 0:00, the bread is finished.

Note: With the European Bread Program, the loaf size is set at 1.5 lbs. and the crust color can't be changed.

Sourdough Bread

European

All Ingredients at room temperature (70°–80°F)

1 and 1/4 cups sourdough starter (see "Sourdough Starter," below)	4 cups bread flour
3/4 cup warm water	3 tablespoons sugar
1 and 3/4 teaspoons salt	1 and 3/4 teaspoons active dry yeast

- 1 Measure and add liquid Ingredients (including sourdough starter) to the bread pan.
- 2 Measure and add dry ingredients (except yeast) to the bread pan.
- 3 Use your finger to form a well (hole) in the flour where you will pour the yeast. Yeast must NEVER come into contact with a liquid when you are adding ingredients. Measure the yeast and carefully pour it into the well.
- 4 Snap the baking pan into the breadmaker and close the lid.
- 5 Press the "Menu Select" button to choose the European setting.
- 6 Press the "Start/Stop" button.

Sourdough Starter

European

2 and 1/4 teaspoons active dry yeast
2 cups warm water
2 cups all-purpose flour

- 1 In a 2 or 3 quart glass bowl, using a wooden or nylon spoon, mix yeast and warm water. Let stand 10 minutes.
- 2 Add flour: mix until thick batter forms. Batter need not be smooth.
- 3 Cover loosely with cheesecloth, lightweight kitchen towel or plastic wrap.
- 4 Let stand in warm place for 24 hours.
- 5 Stir; cover loosely Place starter in a warm place for 2 to 3 days or until it bubbles and smells sour: stir once a day.
- 6 Cover loosely with a plastic wrap or plastic cover: refrigerate.



To Replenish Starter

After using a portion of starter, replenish with equal amounts of flour and warm water. For example, if 1-1/4 cups (10 oz.) of starter were removed to make bread, replenish remaining starter with 1-1/4 cups warm water and 1-1/4 cups flour. Stir well to blend. Cover and let stand in warm place until bubbly, 3 to 5 hours. Store starter in a loosely covered glass container in the refrigerator. If not used at the end of one week remove 1 cup starter and discard: then replenish with equal amounts of flour and warm water as instructed above.

Hints for Successful Sourdough Baking

- Always make starter in a glass container. Never store in metal containers or use metal utensils. The starter will react with the metal.
- All ingredients, including starter, should be at room temperature (70°– 80°F). Cold ingredients will slow down the activity of the yeast.
- When removing starter, always replenish it. Let stand at room temperature for 3 to 5 hours, until bubbles start to form. Cover and refrigerate.
- If starter separates (liquid forms on the surface), stir until blended before using.
- If the liquid that forms on the surface of starter turns pink in color at any time, discard the starter and start over again with fresh ingredients.
- Important: Sourdough bread made in an automatic bread maker requires the addition of yeast. The starter's strength and the rising times in the breadmaker are not sufficient to allow for proper rising without the use of additional yeast.

French Setting Recipes (Menu 2)

French Bread Machine Stages (for 1.5 lb. loaves)

For the French cycle you can expect the following things to happen as the timer counts down to zero.

To begin: The ingredients are kneaded for the first time (5 minutes)

At 3:30, the dough rests for 5 minutes

At 3:25, the dough is kneaded for the second time (20 minutes)

At 3:05, the dough begins to rise (39 minutes)

At 2:26, the dough is "punched down" (10 seconds)

At 2:26, the dough continues to rise (30 minutes and 50 seconds)

At 1:55, the dough is shaped (10 seconds)

At 1:55, the dough comes to the last period of rise (59 minutes and 50 seconds)

At 0:55, the dough begins to bake (55 minutes)

At 0:00, the bread is finished.

Note: Rapid Setting will reduce total time by about an hour.



French Countryside Bread - 2 lb. loaf

French

1 and 3/8 cups water	4 cups bread flour
1 and 1/2 tablespoons vegetable or olive oil	1 tablespoon sugar
1 and 1/2 teaspoons salt	2 teaspoons active dry yeast

- 1 Measure and add liquid ingredients to the bread pan.
- 2 Measure and add dry ingredients (except yeast) to the bread pan.
- 3 Use your finger to form a well (hole) in the flour where you will pour the yeast. Yeast must NEVER come into contact with a liquid when you are adding ingredients. Measure the yeast and carefully pour it into the well.
- 4 Snap the baking pan into the bread maker and close the lid.
- 5 Press the "Menu Select" button to choose the French setting.
- 6 Press the "Loaf Size" button to choose 1 lb., 1.5 lb., or 2 lb.
- 7 Press the "Crust Color" button to choose light, medium, dark or rapid crust.
- 8 Press the "Start/Stop" button.

Italian Herb Bread - 2 lb. loaf

French

1 and 1/4 cups water	1/4 cup grated parmesan cheese
1 and 1/2 tablespoons vegetable or olive oil	2 teaspoons dried onion flakes
1 teaspoon salt	1/2 teaspoon dried basil
3 and 1/2 cups bread flour	1/2 teaspoon garlic powder
2 teaspoons sugar	2 teaspoons active dry yeast
1 tablespoon dried parsley	

- 1 Measure and add liquid ingredients to the bread pan.
- 2 Measure and add dry ingredients (except yeast) to the bread pan.
- 3 Use your finger to form a well (hole) in the flour where you will pour the yeast. Yeast must NEVER come into contact with a liquid when you are adding ingredients. Measure the yeast and carefully pour it into the well.
- 4 Snap the baking pan into the breadmaker and close the lid.
- 5 Press the "Menu Select" button to choose the French setting.
- 6 Press the "Loaf Size" button to choose 1 lb., 1.5 lb., or 2 lb.
- 7 Press the "Crust Color" button to choose light, medium, dark or rapid crust.
- 8 Press the "Start/Stop" button.



Sweet Setting Recipes (Menu 4)

Sweet Bread Machine Stages (for 1.5 lb. loaves)

For the Sweet bread cycle you can expect the following things to happen as the timer counts down to zero.

To begin: The ingredients are kneaded for the first time (5 minutes)

At 3:17, the dough rests for 5 minutes

At 3:12, the dough is kneaded for the second time (20 minutes)

At 2:52, the dough begins to rise (39 minutes)

At 2:13, the dough is "punched down" (10 seconds)

At 2:13, the dough continues to rise (25 minutes and 50 seconds)

At 1:47, the dough is shaped (5 seconds)

At 1:47, the dough comes to the last period of rise (51 minutes and 55 seconds)

At 0:55, the dough begins to bake (55 minutes)

At 0:00, the bread is finished.

Note: With the Sweet Bread Program, crust color can't be changed.

Springtime favorite Bread (no Delay Timer) - 1.5 lb. loaf

Sweet

1 cup water	3 and 3/4 cups bread flour
1/4 cup butter or margarine	1/2 cup sugar
1 large egg	3 tablespoons dry milk
1 and 1/2 teaspoon vanilla extract	2 teaspoons active dry yeast
1 and 1/4 teaspoons almond extract	3/4 cup raisins
1 teaspoon salt	1 and 1/2 teaspoons of shredded orange peel

- 1 Measure and add liquid ingredients to the bread pan.
- 2 Measure and add dry ingredients (except yeast) to the bread pan.
- 3 Use your finger to form a well (hole) in the flour where you will pour the yeast. Yeast must NEVER come into contact with a liquid when you are adding ingredients. Measure the yeast and carefully pour it into the well.
- 4 Snap the baking pan into the breadmaker and close the lid.
- 5 Press the "Menu Select" button to choose the Sweet setting.
- 6 Press the "Loaf Size" button to choose 1 lb., 1.5 lb., or 2 lb.
- 7 Press the "Start/Stop" button.

Note: When adding fruit ingredients like raisins, the bread machine will make a beeping signal during the kneading cycle. Raise the lid and sprinkle the raisins in, a few at a time, until they are kneaded with the dough.



Cottage Cheese and Chive Bread (no Delay Timer) - 1.5 lb. loaf

Sweet

3/8 cups water	3 and 3/4 cups bread flour
1 cup of cottage cheese	3 tablespoons dried chives
1 egg	2 and 1/2 tablespoons sugar
2 tablespoons butter or margarine	2 and 1/4 teaspoons active dry yeast
1 and 1/2 teaspoons salt	

- 1 Measure and add liquid ingredients to the bread pan.
- 2 Measure and add dry ingredients (except yeast) to the bread pan.
- 3 Use your finger to form a well (hole) in the flour where you will pour the yeast. Yeast must NEVER come into contact with a liquid when you are adding ingredients. Measure the yeast and carefully pour it into the well.
- 4 Snap the baking pan into the breadmaker and close the lid.
- 5 Press the "Menu Select" button to choose the Sweet setting.
- 6 Press the "Loaf Size" button to choose 1 lb., 1.5 lb., or 2 lb.
- 7 Press the "Start/Stop" button.

Special Winter Bread (no Delay Timer) - 1.5 lb. loaf

Sweet

7/8 cups water	1/4 cup corn meal
2 tablespoons butter or margarine	2 and 3/4 cups bread flour
1 large egg	2/3 cup whole wheat flour
1/4 cup molasses	2 and 1/4 teaspoons active dry yeast

- 1 Measure and add liquid ingredients to the bread pan.
- 2 Measure and add dry ingredients (except yeast) to the bread pan.
- 3 Use your finger to form a well (hole) in the flour where you will pour the yeast. Yeast must NEVER come into contact with a liquid when you are adding ingredients. Measure the yeast and carefully pour it into the well.
- 4 Snap the baking pan into the breadmaker and close the lid.
- 5 Press the "Menu Select" button to choose the Sweet setting.
- 6 Press the "Loaf Size" button to choose 1 lb., 1.5 lb., or 2 lb.
- 7 Press the "Start/Stop" button.



Apple Walnut Bread - 1.5 lb. loaf

Sweet

3/4 cup unsweetened apple sauce
3/8 cups apple juice
3 tablespoons butter or margarine
1 large egg
1 teaspoon salt
4 cups bread flour

1/4 cup packed brown sugar
1 and 1/4 teaspoons cinnamon
1/2 teaspoon baking soda
2 teaspoons active dry yeast
1/2 cup chopped walnuts

- 1 Measure and add liquid ingredients to the bread pan.
- 2 Measure and add dry ingredients (except yeast) to the bread pan.
- 3 Use your finger to form a well (hole) in the flour where you will pour the yeast. Yeast must NEVER come into contact with a liquid when you are adding ingredients. Measure the yeast and carefully pour it into the well.
- 4 Snap the baking pan into the breadmaker and close the lid.
- 5 Press the "Menu Select" button to choose the Sweet setting.
- 6 Press the "Loaf Size" button to choose 1 lb., 1.5 lb., or 2 lb.
- 7 Press the "Start/Stop" button.

Note: When adding fruit ingredients like raisins, the bread machine will make a beeping signal during the kneading cycle. Raise the lid and sprinkle the raisins in, a few at a time, until they are kneaded with the dough.

EXPRESSBAKE® Setting Setting Recipes (Menus 5 and 6)



EXPRESSBAKE® Bread Machine Stages

For the EXPRESSBAKE® Breadmaker cycle you can expect the following things to happen as the timer counts down to zero.

To begin: The ingredients are kneaded (15 minutes)

At 0:43, the dough begins to rise (8 minutes)

At 0:35, the dough begin to bake (35 minutes)

At 0:00, the bread is finished.

Important: You CANNOT use the delay timer for EXPRESSBAKE® Breadmaker setting breads. You CANNOT change the crust color.



White Bread

EXPRESSBAKE

1.5 pound loaf

1 cup and 2 tablespoons hot water (115°–125°F)
2 tablespoons oil
2 tablespoons sugar
1 teaspoon salt
3 cups bread flour
5 teaspoons fast rising yeast

2 pound loaf

1 and 1/2 cups hot water (115°–125°F)
3 tablespoons oil
3 tablespoons sugar
1 and 1/2 teaspoons salt
4 cups bread flour
2 tablespoons fast rising yeast

Important: Carefully measure the hot water and make sure it is between 115°–125°F by using a cooking thermometer.

- 1 Measure and add liquid ingredients to the bread pan.
- 2 Measure and add dry ingredients (except yeast) to the bread pan.
- 3 Use your finger to form a well (hole) in the flour where you will pour the yeast. Yeast must NEVER come into contact with a liquid when you are adding ingredients. Measure the yeast and carefully pour it into the well.
- 4 Snap the baking pan into the breadmaker and close the lid.
- 5 Press the "Menu Select" button to choose the Express Bake setting
 - a. Express Bake (1.5LB) for 1.5 pound loaves
 - b. Express Bake (2.0LB) for 2 pound loaves
- 6 Press the "Start/Stop" button.

Cheese & Rye Bread

EXPRESSBAKE

1.5 pound loaf

1 cup and 2 tablespoons hot water (115°–125°F)
1 tablespoon oil
1 tablespoon sugar
1 teaspoon salt
2 and 1/2 cups bread flour
1/2 cup rye flour
1 tablespoon grated Parmesan cheese
1 cup shredded cheddar cheese
5 teaspoons fast rising yeast

2 pound loaf

1 and 1/2 cups hot water (115°–125°F)
4 teaspoons oil
2 tablespoons sugar
1 and 1/2 teaspoons salt
3 and 1/4 cups bread flour
2/3 cup rye flour
2 tablespoons grated Parmesan cheese
1 and 1/4 cups shredded cheddar cheese
2 tablespoons fast rising yeast

Important: Carefully measure the hot water and make sure it is between 115°–125°F by using a cooking thermometer.

- 1 Measure and add liquid ingredients to the bread pan.
- 2 Measure and add dry ingredients (except yeast) to the bread pan.
- 3 Use your finger to form a well (hole) in the flour where you will pour the yeast. Yeast must NEVER come into contact with a liquid when you are adding ingredients. Measure the yeast and carefully pour it into the well.
- 4 Snap the baking pan into the breadmaker and close the lid.
- 5 Press the "Menu Select" button to choose the Express Bake setting
 - a. Express Bake (1.5LB) for 1.5 pound loaves
 - b. Express Bake (2.0LB) for 2 pound loaves
- 6 Press the "Start/Stop" button.



1.5 pound loaf

1 cup and 2 tablespoons
hot water (115°–125°F)
2 tablespoons oil
2 tablespoons sugar
3 cups bread flour
2 tablespoons dry onion soup mix
4 and 1/2 teaspoons fast rising yeast

2 pound loaf

1 and 1/2 cups + 1 tablespoon
hot water (115°–125°F)
3 tablespoons oil
3 tablespoons sugar
4 cups bread flour
3 tablespoons dry onion soup mix
2 tablespoons fast rising yeast

Important: Carefully measure the hot water and make sure it is between 115°–125°F by using a cooking thermometer.

- 1 Measure and add liquid ingredients to the bread pan.
- 2 Measure and add dry ingredients (except yeast) to the bread pan.
- 3 Use your finger to form a well (hole) in the flour where you will pour the yeast. Yeast must NEVER come into contact with a liquid when you are adding ingredients. Measure the yeast and carefully pour it into the well.
- 4 Snap the baking pan into the breadmaker and close the lid.
- 5 Press the "Menu Select" button to choose the Express Bake setting
 - a. Express Bake (1.5LB) for 1.5 pound loaves
 - b. Express Bake (2.0LB) for 2 pound loaves
- 6 Press the "Start/Stop" button.

Whole Wheat

Setting Recipes (Menu 3)

Whole Wheat Bread Machine Stages (for 1.5 lb. loaves)

For the Whole Wheat bread cycle you can expect the following things to happen as the timer counts down to zero.

To begin: The ingredients are kneaded for the first time (5 minutes)

At 3:15, the dough rests for 5 minutes

At 3:10, the dough is kneaded for the second time (15 minutes)

At 2:55, the dough begins to rise (49 minutes)

At 2:05, the dough is "punched down" (10 seconds)

At 2:05, the dough continues to rise (25 minutes and 50 seconds)

At 1:40, the dough is shaped (10 seconds)

At 1:40, the dough comes to the last period of rise (49 minutes and 50 seconds)

At 0:50, the dough begins to bake (50 minutes)

At 0:00, the bread is finished.

Note: Rapid Setting will reduce total time by about an hour.



100% Whole Wheat Bread - 2 lb. loaf

Wheat

1 and 5/8 cups water
1/3 cup packed brown sugar
2 teaspoons salt
4 and 2/3 cups whole wheat flour
3 teaspoons active dry yeast

- 1 Measure and add liquid ingredients to the bread pan.
- 2 Measure and add dry ingredients (except yeast) to the bread pan.
- 3 Use your finger to form a well (hole) in the flour where you will pour the yeast. Yeast must NEVER come into contact with a liquid when you are adding ingredients. Measure the yeast and carefully pour it into the well.
- 4 Snap the baking pan into the breadmaker and close the lid.
- 5 Press the "Menu Select" button to choose the Whole Wheat setting
- 6 Press the "Loaf Size" button to choose 1 lb., 1.5 lb., or 2 lb.
- 7 Press the "Crust Color" button to choose light, medium, dark or rapid crust.
- 8 Press the "Start/Stop" button.

Honey Grain Bread

Wheat

1.5 pound loaf

1 cup water
2 tablespoons butter or margarine
1 and 1/2 tablespoons honey
1 teaspoon salt
2 and 1/4 cups bread flour
1 cup whole wheat flour
1/2 cup quick cook oats
2 teaspoons active dry yeast

2 pound loaf

1 and 3/8 cups water
2 and 1/2 tablespoons butter or margarine
2 tablespoons honey
1 and 3/4 teaspoons salt
2 and 1/2 cups bread flour
1 and 1/4 cups whole wheat flour
2/3 cup quick cook oats
2 and 1/4 teaspoons active dry yeast

- 1 Measure and add liquid ingredients to the bread pan.
- 2 Measure and add dry ingredients (except yeast) to the bread pan.
- 3 Use your finger to form a well (hole) in the flour where you will pour the yeast. Yeast must NEVER come into contact with a liquid when you are adding ingredients. Measure the yeast and carefully pour it into the well.
- 4 Snap the baking pan into the breadmaker and close the lid.
- 5 Press the "Menu Select" button to choose the Whole Wheat setting
- 6 Press the "Loaf Size" button to choose 1 lb., 1.5 lb., or 2 lb.
- 7 Press the "Crust Color" button to choose light, medium, dark or rapid crust.
- 8 Press the "Start/Stop" button.



Honey Wheat Bread - 1.5 lb. loaf

Wheat

1 and 1/8 cups water	3 and 1/2 cups bread flour
2 tablespoons butter or margarine	1 cup wheat flake cereal
4 tablespoons honey	2 tablespoons wheat bran cereal
1 teaspoon salt	2 teaspoons active dry yeast

- 1 Measure and add liquid ingredients to the bread pan.
- 2 Measure and add dry ingredients (except yeast) to the bread pan.
- 3 Use your finger to form a well (hole) in the flour where you will pour the yeast. Yeast must NEVER come into contact with a liquid when you are adding ingredients. Measure the yeast and carefully pour it into the well.
- 4 Snap the baking pan into the breadmaker and close the lid.
- 5 Press the "Menu Select" button to choose the Whole Wheat setting
- 6 Press the "Loaf Size" button to choose 1 lb., 1.5 lb., or 2 lb.
- 7 Press the "Crust Color" button to choose light, medium, dark or rapid crust.
- 8 Press the "Start/Stop" button.

Summer Wheat Bread - 1.5 lb. loaf

Wheat

1 and 3/8 cups water	2 cups bread flour
1 and 1/2 tablespoons vegetable oil	2 cups whole wheat flour
2 tablespoons molasses	2 teaspoons active dry yeast
1 and 1/2 teaspoons salt	

- 1 Measure and add liquid ingredients to the bread pan.
- 2 Measure and add dry ingredients (except yeast) to the bread pan.
- 3 Use your finger to form a well (hole) in the flour where you will pour the yeast. Yeast must NEVER come into contact with a liquid when you are adding ingredients. Measure the yeast and carefully pour it into the well.
- 4 Snap the baking pan into the breadmaker and close the lid.
- 5 Press the "Menu Select" button to choose the Whole Wheat setting
- 6 Press the "Loaf Size" button to choose 1 lb., 1.5 lb., or 2 lb.
- 7 Press the "Crust Color" button to choose light, medium, dark or rapid crust.
- 8 Press the "Start/Stop" button.

Buttermilk Bread - 1.5 lb. loaf

Wheat

1 and 1/4 cups water	1 cup rye flour
1 and 1/2 tablespoon butter or margarine	2 tablespoons powdered buttermilk
1 teaspoon white vinegar	1 tablespoon vital gluten
2 tablespoons packed brown sugar	1 and 1/2 teaspoons caraway seeds
2 cups bread flour	2 teaspoons active dry yeast
1 cup whole wheat flour	

- 1 Measure and add liquid ingredients to the bread pan.
- 2 Measure and add dry ingredients (except yeast) to the bread pan.
- 3 Use your finger to form a well (hole) in the flour where you will pour the yeast. Yeast must NEVER come into contact with a liquid when you are adding ingredients. Measure the yeast and carefully pour it into the well.
- 4 Snap the baking pan into the breadmaker and close the lid.
- 5 Press the "Menu Select" button to choose the Whole Wheat setting
- 6 Press the "Loaf Size" button to choose 1 lb., 1.5 lb., or 2 lb.
- 7 Press the "Crust Color" button to choose light, medium, dark or rapid crust.
- 8 Press the "Start/Stop" button.



Dough/Pasta Setting Recipes (Menus 9 and 10)

Dough/Pasta Bread Machine Stages

For the Dough/Pasta cycle you can expect the following things to happen as the timer counts down to zero.

Dough/Pasta:

To begin: The ingredients are kneaded for the first time (5 minutes)

At 1:25, the dough rests for 5 minutes

At 1:20, the dough is kneaded for the second time (20 minutes)

At 1:00, the dough begins to rise (60 minutes)

At 0:00, the dough is finished.

Bagel Dough:

To begin: The ingredients are kneaded for the first time (20 minutes)

At 1:40, the dough is kneaded for the second time (10 minutes)

At 1:30, the dough begins to rise (90 minutes)

At 0:00, the dough is finished.

Dough recipe ingredients (2 lbs.):

2 teaspoons oil
2 teaspoons salt
2 teaspoons dry milk
1 teaspoon sugar

4 and 1/2 cups flour
1 and 3/4 cups water
1 teaspoon active dry yeast

Bagel dough recipe ingredients:

1 and 3/4 cups water
1 and 1/2 teaspoon honey
1 and 1/2 teaspoon salt

3 cups flour
1 and 1/2 teaspoon active dry yeast



Dough Instructions

- 1 Put ingredients in bread pan and put the bread pan into the breadmaker.
- 2 Press the "Menu Select" button to choose either the dough or bagel dough setting (if making bagel dough).
- 3 Press the "Start/Stop" button. The display will begin counting down the time on the Dough setting. When dough is ready, the unit will signal and the display will read "0:00."
- 4 Press "Start/Stop" button and hold it down until you hear a beep and the display clears.
- 5 To remove the bread pan, grasp the handle firmly and lift the pan out.

Note: The pan does not get hot when using the dough setting.

Preparing Dough for Baking

- 1 Lightly sprinkle all-purpose flour onto a pastry mat or board. Using a rubber spatula or wooden spoon, remove dough from the bread pan and place on lightly floured surface. Knead by hand 2 or 3 times to release the air. If the dough is easy to handle without flour, shape on a lightly oiled, clean countertop.
- 2 Shape dough into your favorite rolls, coffee cake, etc. (suggestions follow). Place on greased baking pan. Cover dough with a clean cloth and let rise until almost doubled in size (about 1 hour).
- 3 Bake as directed in the recipe. Remove from pan and cool on a wire rack or serve warm.

Variations for Shaping Dough

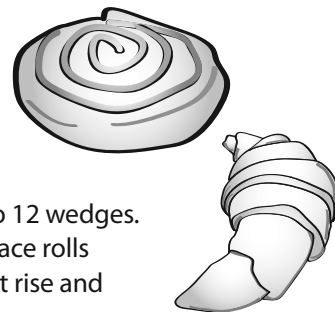
Easy Dinner Rolls

Divide dough into 12 equal pieces, shape into balls and place in greased muffin cups. Cover, let rise and bake as directed. Makes 12.

Swirls

Lightly grease baking sheet. Divide dough into 10 equal pieces. On a lightly floured surface, using your hand, roll each piece into a pencil like strand about 10 inches long. Beginning at one end of the strand, continue wrapping each piece around the center to form a swirl.

Place rolls 2 to 3 inches apart on prepared baking sheet. Cover, let rise and bake as directed. Makes 10.



Butterhorns

Lightly grease baking sheet and set aside. On a lightly floured surface, roll dough into a 12-inch circle. Brush dough with melted butter. Cut into 12 wedges. To shape rolls, begin at wide end of wedge and roll towards the point. Place rolls point side down, 2 to 3 inches apart, on prepared baking sheet. Cover, let rise and bake as directed. Makes 12.

Rising

To Reduce Rising Time of Dough

Preheat conventional oven to 200°F for 5 minutes, then turn off oven. Shape dough, place on baking pan as directed and cover with a clean kitchen towel. Place dough in oven until doubled in size. This will reduce rising time by about one half.

Recipes using whole grain or unrefined flours contain less gluten and may not rise as much as those using white bread flour. As a result, these heavier breads may fall slightly in the center. This is normal and will not affect the taste of the bread. Wheat gluten can also be added to improve the shape and volume of bread made with low gluten flours.



Storing

Keeping Your Bread Fresh

There are no preservatives in your homemade bread, so store cooled loaf in a lightly sealed plastic bag. If desired, enclose a stalk of celery in the bag to keep bread fresh longer. Do not store in the refrigerator as this causes bread to dry out faster.

Bread Pretzel

Dough

All ingredients at room temperature (70–80°F)

2 cups bread flour	7/8 cup water
1 and 1/2 teaspoon active dry yeast	1 to 2 tablespoons coarse (Kosher) salt
1/4 teaspoon salt	1 egg, slightly beaten
1/2 teaspoon sugar	

- 1 Measure all ingredients into bread pan, except egg and coarse salt.
- 2 Press and hold down the "Start/Stop" button to clear the display.
- 3 Press the "Menu Select" button to choose the dough setting.
- 4 Press the "Start/Stop" button. The display will begin counting down the time on the Dough setting. When dough is ready, the unit will signal and the display will read "0:00."
- 5 Press "Start/Stop" button and hold it down until you hear a beep and the display clears.
- 6 To remove the bread pan, grasp the handle firmly and lift the pan out.
- 7 Preheat oven to 450°F.
- 8 Divide dough into 12 pieces. Roll each into 8-inch rope. Form into pretzel shape or leave in stick shape. Place on a greased cookie sheet, brush each with beaten egg. Sprinkle with coarse salt.
- 9 Bake in preheated oven for 12 to 15 minutes.

Butter Rolls (no Delay Timer)

Dough

All ingredients at room temperature (70–80°F), except milk

2 tablespoons sugar	1/4 cup water
1 teaspoon salt	1 egg
2 and 3/4 cups bread flour	3/4 to 7/8 cup milk
2 teaspoon active dry yeast	1/4 cup butter

- 1 Measure all ingredients into bread pan.
- 2 Press and hold down the "Start/Stop" button to clear the display.
- 3 Press the "Menu Select" button to choose the dough setting.
- 4 Press the "Start/Stop" button. The display will begin counting down the time on the Dough setting. When dough is ready, the unit will signal and the display will read "0:00."
- 5 Press "Start/Stop" button and hold it down until you hear a beep and the display clears.
- 6 To remove the bread pan, grasp the handle firmly and lift the pan out.
- 7 Shape as desired (see "Variations for Shaping Dough," pg. 32).
- 8 Bake at 350°F for 25 to 30 minutes. Makes 12 rolls.



Coffee Cake (no Delay Timer)

Dough

All ingredients at room temperature (70–80°F), except milk

1/4 cup sugar	1 egg yolk
1 teaspoon salt	3/4 to 7/8 cup milk
2 and 1/4 cups bread flour	1 tablespoon butter or margarine
2 teaspoons active dry yeast	

- 1 Measure all ingredients into bread pan.
- 2 Press and hold down the “Start/Stop” button to clear the display.
- 3 Press the “Menu Select” button to choose the dough setting.
- 4 Press the “Start/Stop” button. The display will begin counting down the time on the Dough setting. When dough is ready, the unit will signal and the display will read “0:00.”
- 5 Press “Start/Stop” button and hold it down until you hear a beep and the display clears.
- 6 To remove the bread pan, grasp the handle firmly and lift the pan out.
- 7 Pat dough into greased 9-inch round, or 5 x 7-inch oblong cake pan.
- 8 Add topping. Makes 1 coffee cake. (See “Topping” recipe, right.)

Topping

Dough

2 tablespoons butter, melted	1/2 cup sugar
1 teaspoon ground cinnamon	1/2 cup chopped pecans

Powdered Sugar Glaze, optional (see recipe below)

- 1 Drizzle butter over dough.
- 2 In a small bowl, mix sugar, cinnamon and nuts; sprinkle onto butter. Cover; let rise in warm place about 30 minutes.
- 3 Bake in preheated oven (375°F) 20 to 25 minutes, until golden brown.
- 4 Cool 10 minutes in pan on rack.
- 5 Drizzle with powdered sugar glaze if desired. Makes enough to cover one coffee cake

Powdered Sugar Glaze

Dough

(for Coffee Cakes and Sweet Rolls)

1 cup sifted powdered sugar	1 teaspoon butter or margarine, softened
1 or 2 tablespoons water or milk	1/2 teaspoon vanilla

- 1 In a small bowl, combine all ingredients and blend until smooth.
- 2 Spread or drizzle glaze on slightly warm coffee cake or sweet rolls. Makes enough to cover 1 coffee cake.



Pizza Crust

Dough

All ingredients at room temperature (70–80°F)

1.5 pound

1/2 teaspoon salt
3 cups all-purpose flour
1–1/2 teaspoon active dry yeast
1 cup water
2 tablespoons olive oil or vegetable oil

2 pound

3/4 teaspoon salt
4 cups all-purpose flour
2 teaspoon active dry yeast
1–3/8 cup water
3 tablespoons olive oil or vegetable oil

- 1 Measure all ingredients into bread pan.
- 2 Press and hold down the “Start/Stop” button to clear the display.
- 3 Press the “Menu Select” button to choose the dough setting.
- 4 Press the “Start/Stop” button. The display will begin counting down the time on the Dough setting. When dough is ready, the unit will signal and the display will read “0:00.”
- 5 Press “Start/Stop” button and hold it down until you hear a beep and the display clears.
- 6 To remove the bread pan, grasp the handle firmly and lift the pan out.
- 7 Pat dough into 12 x 15-inch jelly roll pan or greased 12-inch round (1–1/2 pound recipe) or 14-inch round pizza pan (2 pound recipe).
- 8 Preheat oven to 400°F.
- 9 Spread pizza sauce over dough. Sprinkle toppings over sauce.
- 10 Bake 15 to 20 minutes or until crust is golden brown.

Pizza Toppings (optional)

1 cup (8 oz) prepared pizza sauce
1/2 lb. bulk pork sausage, browned and drained
1/3 cup chopped onions
1 pkg. (3–4 oz) sliced pepperoni
1 can (4 oz) mushroom stems and pieces, drained
1 cup chopped green peppers

Pasta Recipes

Dough

Basic Pasta (no Delay Timer)

All ingredients should be at room temperature (70–80°F)

2 cups all-purpose flour
1 cup semolina flour
1 teaspoon salt

1 tablespoon olive oil or vegetable oil
7/8 cup water

- 1 Measure all ingredients into bread pan.
- 2 Press and hold down the “Start/Stop” button to clear the display.
- 3 Press the “Menu Select” button to choose the dough setting.
- 4 Press the “Start/Stop” button and allow it to mix 8 to 10 minutes. Then press the “Start/Stop” button again to cancel.
- 5 Remove dough and roll out on lightly floured surface. Roll to 1/8-inch thickness. Dust with flour if dough is sticky.
- 6 Cut into 1/8-inch strips for narrow noodles or 1/4-inch for medium noodles. Cook noodles in a large pot of boiling, salted water for 10 to 15 minutes. Drain in colander.



Jam Setting Recipes (Menu 11) (Jams and Marmalades)

Jam Bread Machine Stages

For the Jam cycle you can expect the following things to happen as the timer counts down to zero.

To begin: The ingredients are kneaded for the first time (15 minutes)

At 0:50, the dough begins to bake (50 minutes)

At 0:00, the Jam is finished.

Strawberry Jam (no Delay Timer)

Jam

1 cup sugar
1 tablespoon powdered low-sugar fruit pectin

1-1/2 cups fresh strawberries, sliced
2 teaspoons lemon juice

- 1 Measure all ingredients into bread pan.
- 2 Press and hold down the "Start/Stop" button to clear the display.
- 3 Press the "Menu Select" button to choose the jam setting.
- 4 Press the "Start/Stop" button. The display will begin counting down the time on the Jam setting. When jam is ready, the unit will signal and the display will read "0:00."
- 5 Using hot pads, remove bread pan. Pour jam into containers; cover. Refrigerate to set. Makes about 3 cups.

Orange Marmalade (no Delay Timer)

Jam

1-1/4 cups sugar
2 tablespoons powdered low-sugar fruit pectin

3 large oranges
1 lemon

- 1 With a vegetable peeler, shave off the bright layer of peel from one orange and the lemon; chop finely.
- 2 Remove and discard remaining white peel from orange and lemon.
- 3 Peel remaining oranges, and discard peels. Slice fruit into 1/2-inch pieces.
- 4 Combine chopped peels, fruit, sugar and pectin in bread pan.
- 5 Press and hold down the "Start/Stop" button to clear the display.
- 6 Press the "Menu Select" button to choose the jam setting.
- 7 Press the "Start/Stop" button. The display will begin counting down the time on the Jam setting. When jam is ready, the unit will signal and the display will read "0:00."
- 8 Using hot pads, remove bread pan. Pour jam into containers; cover. Refrigerate to set. Makes about 3 cups.

Frozen Berry Jam (no Delay Timer)

Jam

1-3/4 cups sugar
1 package (10 to 12 oz) frozen berries
(strawberries and raspberries are ideal)

1 pouch (3 oz) liquid fruit pectin
1 tablespoon lemon juice

- 1 Measure all ingredients into bread pan.
- 2 Press and hold down the "Start/Stop" button to clear the display.
- 3 Press the "Menu Select" button to choose the jam setting.
- 4 Press the "Start/Stop" button. The display will begin counting down the time on the Jam setting. When jam is ready, the unit will signal and the display will read "0:00."
- 5 Using hot pads, remove bread pan. Pour jam into containers; cover. Refrigerate to set. Makes about 3 cups.



Glazes

After rolls rise, just before baking, gently apply desired glaze with a pastry brush.
Bake as directed in the recipe.

- For a shiny golden crust, use Egg Glaze or Egg Yolk Glaze.
- For a shiny chewy crust, use Egg White Glaze (crust will be lighter in color).

Egg Glaze

Mix 1 slightly beaten egg with 1 Tbsp. water or milk.

Egg Yolk Glaze

Mix 1 slightly beaten egg yolk with 1 Tbsp. water or milk.

Egg White Glaze

Mix 1 slightly beaten egg white with 1 Tbsp. water.

Note: To keep unused egg yolk fresh for several days, cover with cold water and store in refrigerator in a covered container.

Garlic Butter

Mix: 1/4 cup margarine or butter, softened
1/8 tsp. garlic powder

Herb-Cheese Butter

Mix: 1/4 cup margarine or butter, softened
1 Tbsp. grated Parmesan cheese
1 tsp. chopped fresh parsley
1/4 tsp. dried oregano leaves
Dash of garlic salt

Italian Herb Butter

Mix: 1/4 cup margarine or butter, softened
1/2 tsp. Italian seasoning
Dash of salt

Choco-Banana Spread

Mix: 1/3 cup mashed ripe banana
1/2 cup semi-sweet chocolate chips, melted

Ham and Swiss Spread

Mix: 1 package (3 oz) cream cheese, softened
2 Tbsp. finely chopped, fully cooked, smoked ham
1 Tbsp. shredded Swiss cheese
1/2 tsp. prepared mustard

Herb-Cream Cheese Spread

Mix: 1 container (4 oz) whipped cream cheese
1 tsp. chopped fresh or 1/2 tsp. dried dill weed
1 small clove garlic, finely chopped



Honey-Walnut Spread

Mix: 1 package (3 oz) cream cheese, softened
1 Tbsp. chopped walnuts
2 tsp. honey

Ripe Olive Spread

Cover and mix in food processor or blender until slightly coarse:

1-1/2 cups pitted, ripe olives
3 Tbsp. olive oil
3 Tbsp. capers, drained
3 flat anchovy fillets, drained
1 tsp. Italian seasoning
2 cloves garlic

Browned Butter Glaze

2 Tbsp. margarine or butter
2/3 cup powdered sugar
1/2 tsp. vanilla
3 to 4 tsp. milk

Heat margarine in a 1-quart saucepan over medium heat until light brown; cool.
Stir in powdered sugar and vanilla. Stir in milk until smooth and thin enough to drizzle.

Cinnamon Glaze

Mix until thin enough to drizzle:

1/2 cup powdered sugar
1/4 tsp. ground cinnamon
1-1/2 to 2 tsp. water

Citrus Glaze

Mix until thin enough to drizzle:

1/2 cup powdered sugar
1 tsp. grated lemon or orange peel
1-1/2 to 2 tsp. lemon or orange juice

Creamy Vanilla Glaze

Mix until thin enough to drizzle:

1/2 cup powdered sugar
1/4 tsp. vanilla
1-1/2 to 2 tsp. milk





1 Year Limited Warranty

Sunbeam Products, Inc. doing business as Jarden Consumer Solutions or if in Canada, Sunbeam Corporation (Canada) Limited doing business as Jarden Consumer Solutions (collectively "JCS") warrants that for a period of one year from the date of purchase, this product will be free from defects in material and workmanship. JCS, at its option, will repair or replace this product or any component of the product found to be defective during the warranty period. Replacement will be made with a new or remanufactured product or component. If the product is no longer available, replacement may be made with a similar product of equal or greater value. This is your exclusive warranty. Do NOT attempt to repair or adjust any electrical or mechanical functions on this product. Doing so will void this warranty.

This warranty is valid for the original retail purchaser from the date of initial retail purchase and is not transferable. Keep the original sales receipt. Proof of purchase is required to obtain warranty performance. JCS dealers, service centers, or retail stores selling JCS products do not have the right to alter, modify or any way change the terms and conditions of this warranty.

This warranty does not cover normal wear of parts or damage resulting from any of the following: negligent use or misuse of the product, use on improper voltage or current, use contrary to the operating instructions, disassembly, repair or alteration by anyone other than JCS or an authorized JCS service center. Further, the warranty does not cover: Acts of God, such as fire, flood, hurricanes and tornadoes.

What are the limits on JCS's Liability?

JCS shall not be liable for any incidental or consequential damages caused by the breach of any express, implied or statutory warranty or condition.

Except to the extent prohibited by applicable law, any implied warranty or condition of merchantability or fitness for a particular purpose is limited in duration to the duration of the above warranty.

JCS disclaims all other warranties, conditions or representations, express, implied, statutory or otherwise.

JCS shall not be liable for any damages of any kind resulting from the purchase, use or misuse of, or inability to use the product including incidental, special, consequential or similar damages or loss of profits, or for any breach of contract, fundamental or otherwise, or for any claim brought against purchaser by any other party.

Some provinces, states or jurisdictions do not allow the exclusion or limitation of incidental or consequential damages or limitations on how long an implied warranty lasts, so the above limitations or exclusion may not apply to you.

This warranty gives you specific legal rights, and you may also have other rights that vary from province to province, state to state or jurisdiction to jurisdiction.

How to Obtain Warranty Service

In the U.S.A.

If you have any question regarding this warranty or would like to obtain warranty service, please call 1-800-334-0759 and a convenient service center address will be provided to you.

In Canada

If you have any question regarding this warranty or would like to obtain warranty service, please call 1-800-667-8623 and a convenient service center address will be provided to you.

In the U.S.A., this warranty is offered by Sunbeam Products, Inc. doing business as Jarden Consumer Solutions located in Boca Raton, Florida 33431. In Canada, this warranty is offered by Sunbeam Corporation (Canada) Limited doing business as Jarden Consumer Solutions, located at 20 B Hereford Street, Brampton, Ontario L6Y 0M1. If you have any other problem or claim in connection with this product, please write our Consumer Service Department.

**PLEASE DO NOT RETURN THIS PRODUCT TO ANY OF THESE ADDRESSES
OR TO THE PLACE OF PURCHASE.**



PRECAUCIONES IMPORTANTES

Cuando utilice artefactos eléctricos, siempre se deben seguir precauciones básicas de seguridad como las que se enumeran a continuación:

1. **Lea las instrucciones, etiquetas del producto y advertencias antes de utilizar la panificadora.**
2. No toque las superficies calientes. Siempre use guantes para horno cuando manipule material caliente. Deje enfriar las partes metálicas antes de limpiar. Deje enfriar completamente la panificadora antes de quitar o colocar las partes.
3. Cuando no esté en uso y antes de limpiarla, desenchufe la panificadora del tomacorriente de la pared.
4. No sumerja el artefacto ni el cable o enchufes en agua ni otro tipo de líquido para no correr el riesgo de una descarga eléctrica.
5. Siempre debe controlarse de cerca cuando a este artefacto o a algún otro lo utilizan niños o cuando se encuentren a su alcance o cerca de discapacitados.
6. No deje objeto alguno apoyado sobre el cable de energía. No enchufe el cable en un lugar de tránsito o paso de personas.
7. No utilice ni enchufe este artefacto u otro si el cable se encuentra dañado o pelado, luego de un mal funcionamiento, e sufrir una caída o luego de haber sufrido un daño cualquiera sea su tipo. Lleve el artefacto al servicio autorizado más cercano para un control, reparación o ajuste eléctrico o mecánico.
8. No permita que el cable cuelgue del borde de la mesa o de la mesada o que toque superficies calientes. No la coloque en una superficie inestable ni cubierta con tela.
9. Evite todo contacto con partes móviles.
10. No utilice accesorios que no estén recomendados por el fabricante. Pueden provocar un incendio, una descarga eléctrica o una lesión.
11. No la utilice al aire libre ni con fines comerciales.
12. No coloque el artefacto cerca de un mechero caliente, eléctrico ni a gas, ni de un horno caliente.
13. No utilice los artefactos para otros fines que no sean los especificados.
14. Para desenchufarla: apáguela, sujete firmemente el enchufe y retírelo de la pared. Nunca tire del cable.

Este artefacto cuenta con una clavija polarizada (una hojilla es más ancha que la otra). Como medida de seguridad para reducir el riesgo de descarga eléctrica, esta clavija entra sólo de una manera en un enchufe polarizado. Si la clavija no encaja en el enchufe, simplemente colóquela al revés. Si aún así no encaja, contacte a un electricista calificado. De ninguna manera intente modificar esta medida de seguridad o modificar el enchufe. Si el enchufe queda flojo en el tomacorriente o el tomacorriente se recalienta no utilice ese tomacorriente.

Uso de alargues: Se le ha hecho entrega de un cable corto para suministro de energía a fin de reducir el riesgo de lesión producto de un enredo en un cable largo o de un tropezón. Ud. puede conseguir un alargue en la ferretería. Utilícelo con cuidado. El cable debe colocarse de manera tal que no cuelgue de la mesada ni de la mesa de donde los niños pueden tironear o se pueden tropezar accidentalmente con él.

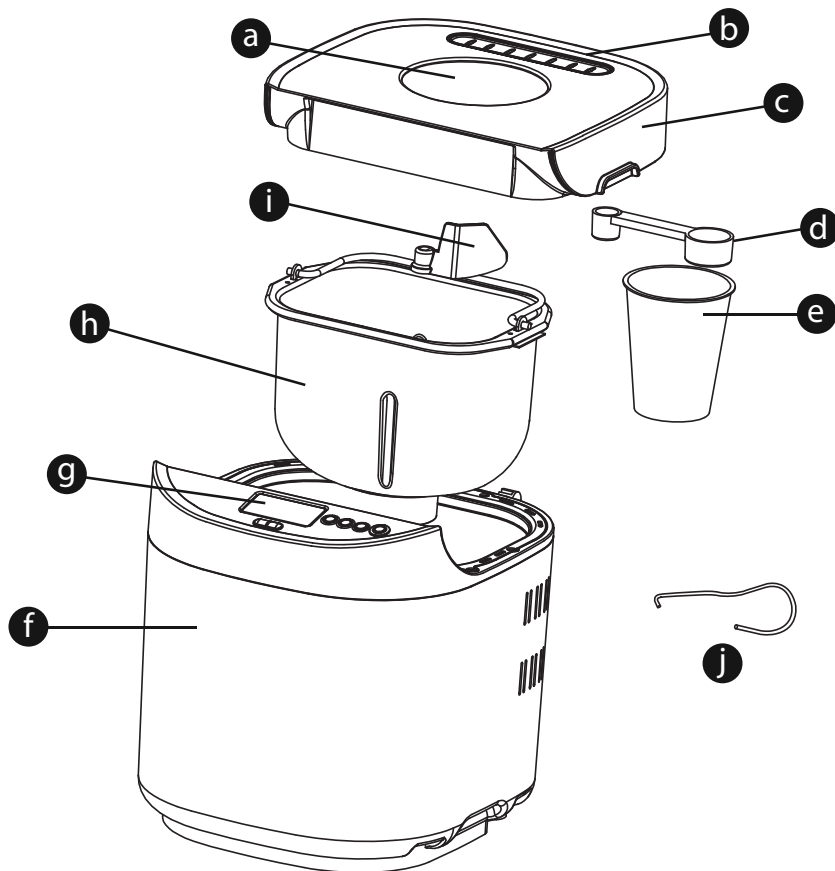
Energía eléctrica: Si el circuito eléctrico se encuentra sobrecargado con otros artefactos, tal vez la panificadora no funcione adecuadamente. La panificadora debe funcionar con un circuito eléctrico distinto de los otros artefactos en funcionamiento.

ESTE ARTEFACTO ES PARA USO DOMÉSTICO SOLAMENTE.

GUARDE ESTAS INSTRUCCIONES



APRENDA SOBRE LA PANIFICADORA EXPRESSBAKE®



- | | |
|------------------------------|---|
| a Visor | f Panificadora |
| b Ventilación | g Panel de control / Visor LCD |
| c Junta tapa superior | h Recipiente desmontable para el pan |
| d Cuchara medidora | i Cuchilla para amasar |
| e taza medidora | j Herramienta para desmontar la cuchilla para amasar |

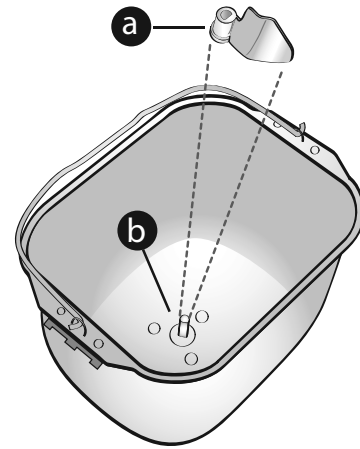




INSTRUCCIONES:

Preparar la panificadora

- 1 Coloque la panificadora en la mesada desde donde se conectará el enchufe. NO enchufe todavía el artefacto en el tomacorriente de la pared. Luego se le indicará cuándo hacerlo.
- 2 Asegúrese de poder abrir la parte superior de la panificadora sin golpear los armarios de arriba de la cocina.
- 3 Abra la tapa y retire el recipiente para pan. Para esto, simplemente tome la manija del recipiente y tire hacia arriba. Utilice un jabón suave y no abrasivo. Lave, enjuague y deje secar el recipiente profundamente.
- 4 Agregue la cuchilla para amasar (a) al recipiente para pan (b), como se muestra. Encontrará la cuchilla para amasar en una bolsa plástica sujeta al cable eléctrico.
- 5 Retire el recipiente. Todavía no coloque el recipiente en la panificadora.



¡Listo para comenzar!



Cómo hornear pan

La forma más simple de aprender a hornear pan es seguir una receta básica. La siguiente receta es fácil y el pan es delicioso.

Antes de comenzar, asegúrese de tener el siguiente equipo medidor:

- taza para medir líquidos
- tazas para medir ingredientes secos
- cucharas para medir

Necesitará los siguientes ingredientes:

- Agua
- Manteca / margarina
- Sal
- Harina para pan (asegúrese de comprar harina para pan, preferentemente para panificadoras)
- Leche en polvo
- Azúcar
- Levadura activa con leudante rápido

Medición de ingredientes

El secreto más importante para hacer pan es la medición exacta. Esta es la clave para hornear pan con éxito.

Con ingredientes húmedos, SOLAMENTE utilice las tazas con tazas/onzas marcadas claramente a un costado. Luego de llenar la taza para medir, colóquela en una superficie plana y mírela al nivel de la vista para asegurarse de que la cantidad de líquido es la exacta. Luego, vuelva a verificarlo.

Con los ingredientes secos siempre nivele la medida con la parte trasera de un cuchillo o una espátula para asegurarse de que la medida es la exacta. Otro truco útil es nunca utilizar la taza para sacar los ingredientes (por ejemplo, harina) Si lo hiciera, podría agregar hasta una cuchara sopera de más del ingrediente. Llene la taza medidora con una cuchara antes de nivelar.

Orden en el agregado de ingredientes

El SEGUNDO secreto más importante para hacer pan es colocar los ingredientes en la panificadora EXACTAMENTE en el orden que indica la receta.

Es decir:

- PRIMERO, ingredientes líquidos
- SEGUNDO, ingredientes secos
- POR ÚLTIMO, la levadura

Asimismo, asegúrese de que todos los ingredientes se encuentren a temperatura ambiente (entre 77° y 85° F) salvo que la receta indique lo contrario.

Nota: Una temperatura muy fría o muy caliente puede afectar el modo de cocción y el modo leudante del pan. Una buena idea es contar con que los ingredientes sean todos frescos (en especial la harina y la levadura).

Ahora, probemos una receta simple (pero muy buena en realidad).



Pan blanco tradicional - Flauta 2 libras

Ingredientes:

- 1 $\frac{3}{8}$ tazas de agua
- 2 cucharadas soperas de margarina o manteca blanda
- 4 tazas de harina para pan
- 2 cucharadas soperas de azúcar
- 2 cucharadas soperas de leche en polvo
- 1 $\frac{3}{8}$ cucharadita de sal
- 2 $\frac{1}{4}$ cucharaditas de levadura activa seca

Instrucciones:

- 1** Mida cuidadosamente 1 $\frac{3}{8}$ tazas de agua. Recuerde utilizar agua a temperatura ambiente. NO use agua muy fría o muy caliente. Una buena idea es ver la medición de la taza a nivel de la vista para asegurarse de haber medido exactamente 1 $\frac{3}{8}$ taza.
- 2** Vierta el agua en el recipiente para pan.
- 3** Mida cuidadosamente 2 cucharadas soperas de margarina o manteca a temperatura ambiente. Agréguela al recipiente para pan. Esto abarca todos los ingredientes líquidos de la receta. A continuación, siguen los ingredientes secos.
- 4** Mida 4 tazas de harina para pan Asegúrese de no "aplastar" la harina en la taza. A fin de evitar el sobrellenado, un buen truco consiste en llenar la taza medidora hasta derramarse, luego, de golpecitos ligeros a un costado de la taza con un cuchillo o espátula para quitar las bolsas de aire. Nivele la taza medidora con un cuchillo o espátula. Vierta la harina en el recipiente para pan.
- 5** Mida 2 cucharadas soperas de azúcar. Una vez más, asegúrese de nivelar las cucharas soperas para una medición exacta. Vierta el azúcar en el recipiente para pan.
- 6** Mida 2 cucharadas soperas de leche en polvo. Nivele las cucharadas soperas de leche en polvo como con todos los otros ingredientes secos. Agregue la leche en polvo en el recipiente para pan.
- 7** Mida 1 $\frac{3}{4}$ cucharadita de sal. Es de especial importancia medir la sal de manera precisa puesto que mucha sal, aún siendo poca cantidad, puede afectar el leudante de la masa. Agregue sal en el recipiente para pan.
- 8** Antes de agregar la levadura, utilice el dedo para hacer un agujero (hueco) en la harina donde colocará la levadura. La levadura NUNCA debe entrar en contacto con el líquido cuando agrega ingredientes. Mida (nivele nuevamente) 2 $\frac{1}{4}$ cucharaditas de levadura y colóquelas cuidadosamente en el hueco que hizo en la harina.
- 9** Coloque el recipiente para pan cuidadosamente a presión en la panificadora.
- 10** Cierre la tapa de la panificadora y enchufe el cable al tomacorriente de la pared. Ocurrirá lo siguiente. El artefacto emitirá un "pip" y se prenderán las luces del visor. La temporizador marcará "3:25" horas.
- 11** Presione repetidas veces el botón "Color de costra" para seleccionar el tipo de costra que desea. Para esta receta, recomendamos "Medio". De acuerdo con el color de costra que selecciona, la flecha marcará claro, medio u oscuro.
- 12** Presione el botón Comenzar / Parar y la máquina comenzará a hacer el pan. Escuchará cómo la panificadora comienza a mezclar los ingredientes.



Nota: Es importante que NO presione el botón Comenzar / Detener mientras que la panificadora está haciendo el pan. Si lo hace, la máquina se apagará y deberá comenzar nuevamente de cero.

Nota: Es importante que no levante la tapa en esta receta. (Para otras recetas que hará más adelante, deberá levantar la tapa para agregar nueces u otros ingredientes).

Precaución: La panificadora se calienta mucho. NO manipule la máquina mientras se encuentre en funcionamiento. NO levante la tapa mientras la panificadora esté horneando el pan.

Etapas de la panificadora (flautas de 2 lb.)

Es divertido ver cómo se hace el pan a través del visor. Para el ciclo básico, se supone que sucederá lo que se enumera a continuación a medida que el contador alcanza cero.

Para comenzar: Se amasan los ingredientes por primera vez (5 minutos)

Cuando el temporizador está en 3:20, la masa descansa por 5 minutos

Cuando está en 3:15, la masa se trabaja por segunda vez (20 minutos)

Cuando está en 2:55, la masa comienza a leudar (39 minutos)

Cuando está en 2:16, la masa se “golpea” (10 segundos)

Cuando está en 02:16, la masa continúa leudando (25 minutos y 50 segundos)

Cuando está en 1:50, se le da “forma” a la masa (15 segundos)

Cuando está en 1:50, la masa llega al último leudado (48 minutos y 45 segundos)

Cuando está en 0:60, la masa comienza a hornearse (60 minutos)

Cuando está en 0:00, el pan está listo.

Una vez horneado el pan

Precaución: No coloque la cara cerca de la tapa cuando abra la panificadora, puede salir vapor caliente que podría quemarlo.

Importante: La panificadora tiene una configuración automática para “mantener tibio” el pan durante una hora. Sin embargo, recomendamos retirar el pan de la panificadora de inmediato a fin de mantener su frescura.

- 1 Utilice agarraderas para cacerolas o guantes para horno para levantar con cuidado el recipiente de la panificadora.
- 2 Coloque el recipiente boca abajo sobre una rejilla para que se enfríe y sacuda ligeramente hasta que salga el pan. Si se pega, tome una espátula de goma (las de metal pueden dañar la superficie del recipiente) y pásela por los costados de la flauta hasta que salga el pan.
- 3 Si la cuchilla para amasar sale con el pan, utilice la herramienta para remover cuchilla de amasar incluida a fin de retirarla de la flauta. Recuerde ¡estará muy caliente!

Deje enfriar el pan 15 minutos antes de cortarlo y disfrutarlo.

Importante: Si desea hacer otro pan de inmediato, espere a que la panificadora se enfríe durante 10 o 15 minutos con la tapa abierta y el recipiente afuera.



Generalidades de las funciones de la panificadora

Función pan:

Sírvase consultar la receta correspondiente y siga el procedimiento que se describe a continuación.

- 1 Coloque la cuchilla para amasar en el recipiente para pan.
- 2 Coloque los ingredientes en el recipiente para pan en este orden: Primero, ingredientes líquidos; segundo, ingredientes secos (salvo la levadura) y por último, la levadura. **Nota:** La levadura NUNCA debe entrar en contacto con el líquido cuando esté agregando los ingredientes.
- 3 Coloque el recipiente para pan en la panificadora y cierre la tapa suavemente .
- 4 Enchufe la panificadora, el visor LCD mostrará "MENÚ 1 - TIEMPO 3:25".
- 5 Presione el botón Seleccionar menú para elegir el tipo de pan que desea (básico, francés, integral, dulce, horneado exprés (1.5 lbs.) horneado exprés (2.0 lbs.), rápido, europeo, masa, masa rosca). **Nota:** El visor marcará el número de Menú correspondiente al tipo de pan seleccionado de 1 a 10.
- 6 Presione el botón Color de costra para seleccionar el color de costra deseado (Claro, mediano, oscuro o rápido). **Nota:** El visor marcará el color de costra con una flecha y señalará el correspondiente color de costra seleccionado (los programas selectos tienen posiciones fijas). **Nota:** la posición de rápido está disponible en los programas básico, francés o integral y reduce el tiempo total por alrededor de una hora para resultados más rápidos.
- 7 Presione el botón Tamaño de la flauta para seleccionar el tamaño (1.0lb, 1.5lb o 2.0lb). **Nota:** El visor marcará el tamaño de la flauta con una flecha y señalará el correspondiente tamaño seleccionado (los programas selectos tienen posiciones fijas).
- 8 Si se precisa programación de encendido automático, ajuste el temporizador moviendo las flechas hacia arriba o hacia abajo según corresponda. Es posible programar una demora de hasta 13 horas para el inicio del programa. **Nota:** El programación de encendido automático se calcula teniendo en cuenta el tiempo de funcionamiento más el tiempo que falta para el encendido (por ejemplo, para un pan básico de 2.0 lbs: el programa de encendido automático se configura en 13 horas = es decir, el encendido automático será dentro de 9 horas 35 minutos más el tiempo de funcionamiento de 3 horas 25 minutos para un pan básico de 2.0 lbs).
- 9 Presione el botón Comenzar / Detener para que comience a funcionar la panificadora.
- 10 Si precisa detener la panificadora, presione el botón Comenzar / Detener por un segundo aproximadamente. La panificadora se detendrá pero deberá repetir el proceso desde cero.
- 11 Una vez que el programa esté completo y el visor marque "0:00" emitirá 15 pips como advertencia y luego se apagará para mantenerse en modo tibio. En el modo tibio, el "0:00" titilará. **Nota:** El modo tibio se mantendrá hasta una hora. Pasada aquella hora, emitirá 15 pips y regresará al estado de inicio.
- 12 Cuando la máquina emita el pip e indique que el programa ha terminado, retire el recipiente para pan de la máquina con guantes para horno. Coloque el recipiente boca abajo y sacuda ligeramente hasta que salga el pan. Retire la cuchilla para amasar de la base del pan con la herramienta para retirarla que se provee y ya está listo para comer.



Función masa:

La función masa es un programa similar a la función pan, salvo que no incluye horneado. Cuando el programa haya finalizado, emitirá 5 pips como advertencia. Cuando la máquina emita el pip e indique que el programa ha terminado, retire la masa del recipiente para pan.

Función horneado:

Esta función puede utilizarse para hornear pan u otra masa. Sírvase consultar la receta correspondiente y siga los siguientes pasos

- 1 Coloque el recipiente para pan en la panificadora.
- 2 Coloque pequeños trozos de comida juntos dentro del recipiente para pan, luego cierre la tapa.
- 3 Presione el botón Seleccionar menú de la función Horneado.
- 4 Presione el botón Comenzar / Detener para que comience a funcionar el programa horneado.
- 5 Una vez que el programa esté completo y el visor marque "0:00" emitirá 5 pips como advertencia y luego se apagará y regresará al estado inicial.
- 6 Es posible detener el programa en cualquier momento del proceso presionando el botón "Comenzar / Detener".

Nota: Para un horneado más uniforme, se recomienda cortar la comida en rodajas pequeñas y distribuirlas de manera uniforme en el recipiente para pan.

Configuración de la panificadora (para flauta de 2 libras)

La panificadora puede hornear casi todo tipo de pan. Se incluyen recetas para mostrarle claramente la configuración que debe utilizar. Este modelo tiene 12 posiciones en total – 9 posiciones para pan (básico, francés, integral, dulce, Europeo, masa, bagel, jamón y horneado) y 3 posiciones de rápido horneado (horneado rápido "express" de 1.5 libras, horneado rápido "express" de 2.0 libras, y rápido).

- 1 Básico 2 lbs. (tiempo: 3 horas 25 minutos)
- 2 Francés 2 lbs. (tiempo: 3 horas 35 minutos)
- 3 Integral 2 lbs. (tiempo: 3 horas 23 minutos)
- 4 Dulce 2 lbs. (tiempo: 3 horas 27 minutos)
- 5 Horneado exprés 1.5 lb (tiempo: 58 minutos)
- 6 Horneado exprés 2.0 lb (tiempo: 58 minutos)
- 7 Rápido 2 lbs. (tiempo: 1 hora, 43 minutos)
- 8 Europeo 2 lbs. (tiempo: 3 horas 30 minutos)
- 9 Masa (tiempo: 1 hora 30 minutos)
- 10 Rosca masa (tiempo: 2 horas)
- 11 Mermelada (tiempo: 1 hora 5 minutos)
- 12 Horneado (tiempo: 1 hora)

Nota: Los tiempos son aproximados según el tamaño del pan.

Básico - Esta configuración se utiliza probablemente más que cualquier otra puesto que brinda los mejores resultados de todas las recetas.

Francés - Utilice esta configuración para pan francés. El pan francés lleva más tiempo de amasado, y para leudar y hornearse, lo que le da una costra más dura.

Integral - La configuración pan integral brinda la posibilidad de leudar durante un período más prolongado para panes que tienen más del 50% de harina de integral.

Dulce - La configuración dulce es para hornear pan con alto contenido de azúcar, grasas y proteínas; características que tienden a aumentar el dorado.



Horneado exprés (1.5 lb) - Utilice esta configuración para hornear flautas de pan más pequeñas en menos de una hora.

Horneado exprés (2.0 lb) - Utilice esta configuración para hornear flautas de pan más grandes en menos de una hora.

Rápida - Utilice esta configuración para hornear pan rápidamente. La cantidad de tiempo es un poco mayor que en la configuración Horneado exprés pero la textura será mejor.

Europeo - Utilice esta configuración para hornear pan al estilo europeo como masa fermentada, focaccia y pan de centeno con pasas de uva.

Masa - Esta configuración le permite preparar una masa para pancitos, panes especiales, pizza, etc. a mano, los deja leudar y luego hornea en el horno convencional.

Masa rosca - Esta configuración le permite preparar masa para roscas a la que usted luego le da forma a mano, la deja leudar y luego la hornea de la manera convencional.

Mermelada - Esta configuración es para preparar mermeladas y jaleas.

Hornear - Esta configuración es para hornear masa.

EXPRESSBAKE®: Configuración panificadora

Preparación de pan en menos de una hora

La panificadora OSTER® puede hornear fantásticos panes en menos de una hora. Se la denomina configuración "Panificadora EXPRESSBAKE®". Las flautas de esta configuración son un poco diferentes de las otras. Asegúrese de probar las diversas configuraciones para verificar cuál es de su preferencia.



Debe estar al tanto de algunas cuestiones de configuración de la panificadora EXPRESSBAKE® que son diferentes de otras configuraciones.

- El pan de la configuración EXPRESSBAKE® suele tener una costra más oscura y dura que los otros panes. En ocasiones encontrará una fractura en la parte superior de la costra. Esto se debe a que el horneado es a temperaturas más altas. Asimismo, suelen ser flautas más cortas y más compactas.
- NO puede utilizar el programa de encendido automático en la configuración EXPRESSBAKE®. Enfriría los ingredientes líquidos y afectaría el modo en que se leuda el pan.
- NO puede utilizar los botones "Color de costra" en la configuración EXPRESSBAKE®.
- NO abra la tapa mientras hace el pan con la configuración EXPRESSBAKE®.
- Si es difícil sacar la flauta del recipiente, déjela reposar 5 minutos para que se enfríe. Retire el pan del recipiente sacudiendo suavemente y espere 15 minutos antes de cortarlo.
- Si desea hornear otra flauta de pan, deje que la panificadora se enfríe durante 20 minutos con la tapa abierta.
- PUEDE utilizar mezclas de pan estándar para pan EXPRESSBAKE®: los resultados tal vez no sean tan buenos como cuando se utilizan las recetas de este libro

PANIFICADORA EXPRESSBAKE® - TRUCOS Y CONSEJOS

Levadura

Siempre utilice una levadura con leudante rápido. NO emplee levadura activa seca para la panificadora EXPRESSBAKE® : las flautas quedarán mucho más cortas una vez horneadas.

Líquidos

Siempre utilice agua con una temperatura de entre 115° y 125° F. Utilice un termómetro de cocina para medir la temperatura. Agua más caliente puede estropear la levadura y más fría puede no activarla.



Sal

Como norma, debe usar MENOS sal para los panes con la configuración EXPRESSBAKE®. Una menor cantidad de sal le dará una flauta más grande. Siga la receta de la panificadora Oster® para obtener mejores resultados.

Otros ingredientes

Todos los otros ingredientes (como harina, azúcar, leche en polvo, manteca, etc.) deben estar a temperatura ambiente. Siempre utilice harina para pan para la configuración de EXPRESSBAKE®.

Cosas que deberá comprar

- Sólo debe emplear harina “para máquina de pan” en las recetas de la panificadora EXPRESSBAKE®.
- Tal vez precise un termómetro de cocina para medir la temperatura del agua que emplea en estas recetas. Sólo debe emplear agua caliente (entre 115° y 125° F) para las recetas de la panificadora EXPRESSBAKE®.

Si bien el pan de la configuración de horneado EXPRESSBAKE® es un tanto diferente, los resultados y conveniencia bien lo valen.

La siguiente receta es fantástica para su primera flauta con la configuración EXPRESSBAKE®.

Pan blanco tradicional - Flauta 1-1/2 libras

Ingredientes:

1 taza + 2 cucharadas soperas (9 onzas en total) de agua caliente (115° – 125°F)	2 cucharadas soperas de azúcar 1 cucharadita de sal
2 cucharadas soperas de aceite (temperatura ambiente)	3 tazas de harina para máquina de pan 5 cucharaditas de levadura con leudante rápido

Instrucciones:

- 1 Mida cuidadosamente 1 taza y 2 cucharadas soperas (9 onzas en total) de agua caliente. Recuerde, una buena idea es ver la medición de la taza a nivel de la vista para asegurarse de haber medido exactamente 1 taza y 2 cucharadas soperas (9 onzas en total).
- 2 Utilice un termómetro de cocina para medir la temperatura del agua, que debe ser entre 115° – 125° F. A la temperatura correcta, viértala en el recipiente para pan.
- 3 Mida cuidadosamente y agregue 2 cucharadas soperas de aceite a temperatura ambiente.
- 4 Mida cuidadosamente y agregue sal y azúcar en el recipiente para pan.
- 5 Mida y agregue exactamente 3 tazas de harina en el recipiente para pan. Recuerde no “aplastar” la harina en la taza. A fin de evitar sobrellenado, un buen truco consiste en llenar la taza medidora hasta que se desborde. Luego, dar golpecitos suaves a un costado de la taza con un cuchillo o espátula para quitar las bolsas de aire. Nivele la taza medidora con un cuchillo o espátula.
- 6 Antes de agregar la levadura, utilice el dedo para hacer un agujero (hueco) en la harina donde colocará la levadura. La levadura NUNCA debe entrar en contacto con el líquido cuando agrega ingredientes. Mida (y nivele nuevamente) 5 cucharaditas de levadura y colóquelas cuidadosamente en el hueco que hizo en la harina.
- 7 Coloque el recipiente para pan cuidadosamente a presión en la panificadora.
- 8 Cierre la tapa de la panificadora y enchufe el cable al tomacorriente de la pared. Ocurrirá lo siguiente. El artefacto emitirá un “pip” y se prenderán las luces del visor. La configuración de tiempo marcará “3:25” horas.



9 Presione repetidas veces el botón “Seleccionar menú” para seleccionar la configuración panificadora EXPRESSBAKE® (1.5LB).

10 Presione el botón Comenzar / Detener y la máquina comenzará a hacer el pan. Escuchará cómo la panificadora comienza a mezclar los ingredientes.

Nota: Es importante que NO presione el botón Comenzar / Detener mientras que la panificadora está haciendo el pan. Si lo hace, la máquina se apagará y deberá comenzar nuevamente de cero.

Nota: NO levante la tapa cuando esté utilizando la configuración EXPRESSBAKE®. Si la levanta, puede afectar el leudado de la masa.

Precaución: La panificadora se calienta mucho. NO manipule la máquina mientras se encuentre en funcionamiento.

Después de horneado el pan con la configuración EXPRESSBAKE®

Precaución: No coloque la cara cerca de la tapa cuando abra la panificadora, puede escaparse vapor caliente que podría quemarlo.

Importante: La panificadora tiene una configuración automática para “mantener tibio” el pan durante una hora. Sin embargo, recomendamos retirar el pan de la panificadora de inmediato a fin de mantener su frescura.

- 1** Utilice agarraderas para cacerolas o guantes para horno para levantar con cuidado el recipiente de la panificadora.
- 2** Coloque el recipiente boca abajo sobre una rejilla fría hasta que el pan se desprenda. Si se pega, tome una espátula de goma (el metal puede dañar la superficie del recipiente) y pásela por los lados de la flauta hasta que se desprenda.
- 3** Si la cuchilla para amasar sale con el pan, utilice la herramienta para remover cuchilla de amasar incluida a fin de retirarla de la flauta. Recuerde ¡estará muy caliente!

Deje enfriar el pan 15 minutos antes de cortarlo y disfrutarlo.

Importante: Si desea hacer otro pan de inmediato, espere a que la panificadora se enfríe durante 10 o 15 minutos con la tapa abierta y el recipiente afuera.



Cómo usar el programa de encendido automático

Puede demorar el momento de inicio de la panificadora para tener pan fresco cuando se levante a la mañana o cuando vuelve del trabajo.

Recomendamos que antes de utilizar el programa de encendido automático pruebe algunas recetas. Utilice las recetas que ya le hayan dado buenos resultados.

Importante: NO puede utilizar el programa de encendido automático en la configuración EXPRESSBAKE®. Antes de usar el programa de encendido automático:

Antes de utilizar el temporizador de retardo:

- 1** Agregue todos los ingredientes de la receta.
- 2** Seleccione la configuración correcta para el tipo de pan que vaya a hacer (francés, dulce, etc.).
- 3** Seleccione el color de costra.

Precaución: No utilice recetas con ingredientes que puedan provocar un deterioro como leche o huevos.



Para usar el programa de encendido automático:

- 1 Calcule las horas y minutos hasta la hora en que desea que su pan esté horneado. Por ejemplo, si son las 8 a.m. y desea pan para la cena a las 6 de la tarde, tendrá 10 horas.
- 2 Utilice el botón de demora para adelantar en intervalos de 10 minutos. En nuestro ejemplo, avanzará hasta que el visor se lea "10:00". De ser necesario, utilice el botón de programación de encendido automático para reducir la cantidad de tiempo. (Para avanzar rápidamente, simplemente mantenga presionado los botones para aumentar / disminuir del programa de encendido automático).

Importante: Si comete un error o desea comenzar nuevamente, mantenga presionado el botón "Comenzar / Detener" hasta que escuche un pip y luego presione una vez más el botón "Comenzar / Detener". El visor mostrará la configuración original y el tiempo del ciclo. Se cancela el programa de encendido automático y puede comenzar nuevamente.

- 3 Cuando haya configurado el programa de encendido automático deseado, asegúrese de presionar el botón "Comenzar / Detener".

Importante: Cuando utilice el programa de encendido automático en un clima caluroso, puede utilizar una o dos cucharas soperas menos de líquido en la receta. Es para evitar que la masa leude demasiado. También puede reducir la cantidad de sal en 1/8 o 1/4 y la cantidad de azúcar en 1/4 de cucharadita al mismo tiempo.

Trucos y consejos

Los cocineros experimentados consideran que hacer pan es una ciencia más que un arte. Tenga en cuenta que deberá experimentar con algunas recetas antes de que le salgan exactamente como usted quiere. No desista. Más aún, existen trucos especiales para asegurar siempre un pan de calidad.

Utilice las medidas exactas

Ya hemos mencionado lo importante que es usar las medidas exactas al momento de hornear pan. Sin embargo, lo repetimos nuevamente. Nivele todos los ingredientes secos y asegúrese de que todos los ingredientes líquidos se midan en una taza de vidrio con medidas claramente marcadas a un costado.

Utilice ingredientes frescos

Siempre debe utilizar ingredientes frescos. Aquí enumeramos los motivos:

- **Harina** - Si hace tiempo que tiene harina en la alacena, es posible que se haya humedecido por la absorción de humedad o que se haya secado; depende de la zona del país en la que viva. Recomendamos que utilice harina para pan fresca.
- **Levadura** - Probablemente la levadura fresca sea el ingrediente más importante para hornear pan. Si la levadura no está fresca, el pan no leudará. Es mejor comprar levadura nueva que arriesgarse a utilizar una guardada por mucho tiempo.

Puede verificar si la levadura está fresca. Simplemente llene una taza con agua tibia y agregue 2 cucharaditas de azúcar y revuelva. Espolvoree unas cucharaditas de levadura en la superficie de agua y espere. Luego de 15 minutos, la levadura debería hacer espuma y tener un aroma característico. Si no sucede ninguna de las dos cosas, la levadura está vieja y debe descartarse.



Agregue los ingredientes en el orden correcto

Lea todas las recetas de arriba a abajo y recuerde:

- PRIMERO, ingredientes líquidos
- SEGUNDO, ingredientes secos
- POR ÚLTIMO, la levadura

Verifique la masa

Este es un secreto muy conocido por la gente que hace pan a la antigua. Cuando se amasa a mano, ajustan la consistencia de la masa agregando un poquito de agua o de harina hasta que la masa llegue al punto perfecto. Si bien la panificadora amasa por usted, este secreto es todavía cierto. Aquí se describe lo que debe hacer.

Si la masa está demasiado blanda

Durante el segundo ciclo de amasado, verifique la consistencia de la masa. Si la masa parece pegajosa o blanda, como la masa para panqueque, espolvoree harina, una cuchara sopera por vez, hasta que la masa no tenga grumos, se haya secado y haya alcanzado una forma redondeada y de vueltas en el recipiente sin dificultad.

Si la masa está demasiado seca

Si la masa parece hojaldrada o escucha "golpes" en la panificadora, significa que la masa está demasiado seca. Para corregir este problema simplemente rocíe con agua, una cucharadita a la vez, hasta que la masa no tenga grumos, se haya secado y haya alcanzado una forma redondeada y de vueltas en el recipiente sin dificultad. Sea cuidadoso y no agregue demasiada agua.

Cómo hornear a gran altura

Si se encuentra por encima de los 3000 pies, probablemente ya sepa cómo ajustar otras recetas como tortas o magdalenas.

La gran altura tiende a afectar así:

- Hace que la masa leude más rápidamente
- Hace que la masa se seque más

A fin de contrarrestar los efectos de la altura sobre el horneado en la altura, recomendamos lo siguiente:

Si la masa está demasiado seca

- Aumente la cantidad de agua para la receta, en ocasiones hasta 2-4 cucharadas soperas por taza.

Si el pan leuda demasiado

- Reduzca la cantidad de levadura. Por cada cucharadita de levadura, intente disminuir la levadura de 1/8 a 1/4 de cucharadita
- Reduzca la cantidad de azúcar. Por cada cucharada sopera de azúcar, reduzca la cantidad en 1 o 2 cucharaditas.



Cuadro de medidas equivalentes

El siguiente cuadro lo ayudará a convertir las medidas utilizadas en las recetas.

Por ejemplo: 1/2 cuchara sopera = 1-1/2 cucharaditas

Fluido onza/s	=	taza/s	=	Cuchara/s sopera	=	Cucharadita/s
8	=	1	=	16	=	48
7	=	7/8	=	14	=	42
6	=	3/4	=	12	=	36
5	=	5/8	=	10	=	30
4	=	1/2	=	8	=	24
3	=	3/8	=	6	=	18
2	=	1/4	=	4	=	12
1	=	1/8	=	2	=	6
	=		=	1	=	3
				1/2	=	1 1/2



CUIDADO Y LIMPIEZA

Cómo cuidar la panificadora

Precaución: No coloque la panificadora en agua ni en la lavadora de platos. No utilice benzina, cepillo de fregar ni limpiadores químicos puesto que dañarán la máquina. No sumerja en líquidos. Presione el botón Detener y retire el cable del tomacorriente de la pared. Deje enfriar.

Utilice solamente limpiador suave no abrasivo para limpiar la panificadora.

Limpieza general

- 1 Retire todas las migas de pan con un trapo apenas humedecido.
- 2 NO doble el calentador eléctrico que se encuentra dentro de la panificadora.

Limpieza del recipiente para pan y cuchilla para amasar

- 1 Pase un trapo húmedo al recipiente para pan y a la cuchilla para amasar y seque en su totalidad.
- 2 NO lave el recipiente ni sus partes en la lavadora de platos. Dañará la terminación del recipiente o de las otras partes.

Cuidado de la panificadora

- 1 Mantenga limpia la panificadora en todo momento.

Precaución: No emplee utensilios de metal en la panificadora. Dañará el recipiente antiadherente y otras partes.

- 2 No se alarme si el color del recipiente de pan cambia con el correr del tiempo. El cambio de color se debe al vapor y humedad y no afecta el desempeño de la máquina
- 3 Si tiene dificultades para retirar la cuchilla para amasar, coloque agua tibia en el recipiente para pan durante 10-15 minutos y de este modo se ablandará la cuchilla.



Cómo guardar la panificadora

- 1 Asegúrese de que la máquina esté limpia y seca antes de guardarla.
- 2 Guarde la panificadora con la tapa cerrada.
- 3 No coloque objetos pesados sobre la tapa.
- 4 Retire la cuchilla de amasar y colóquela dentro del recipiente.



PREGUNTAS FRECUENTES

Detección y resolución de problemas

Si tiene dificultades con el funcionamiento de la panificadora, revise la información de esta sección a fin de encontrar la solución. Si no encuentra la solución, comuníquese con el Departamento de Atención al Consumidor | 1(800)334-0759.

Interrupción de energía

El artefacto cuenta con una función de memoria si interrumpe la energía cuando está utilizando la panificadora.

- 1 Si se produce una interrupción de energía mientras está funcionando y la interrupción es menor a 6 minutos, cuando regrese la energía el artefacto retomará el programa donde lo dejó.
- 2 Si produce una interrupción de energía mientras está funcionando y la interrupción es mayor a 6 minutos, cuando regrese la energía el artefacto no retomará el programa.

Si se produce una interrupción de energía por más de 6 minutos, cuando regrese, deberá hacer lo siguiente:

- 1 Mantener presionado el botón "Comenzar / Detener" por al menos 3 segundos. Si el visor no vuelve a la configuración de tiempo anterior al corte, desenchufe la panificadora y vuelva a enchufarla.
- 2 Si aún así el artefacto no arranca, mantenga presionado el botón "Comenzar / Detener" una segunda vez por 3 segundos. Continúe desenchufando y volviendo a enchufar el artefacto y manteniendo presionado el botón "Comenzar / Detener" hasta que el visor vuelva al tiempo de ciclo anterior al corte.

Cómo comprender la información del visor

¿Qué hacer si el visor no enciende?

Verifique que la panificadora se encuentre enchufada.

¿Qué hacer si el visor muestra 0:00 y los dos puntos ":" titilan?

No hay problema. Simplemente significa que el ciclo de horneado ha terminado y que la panificadora está manteniendo el pan tibio. Presione el botón "Comenzar / Detener" para apagar el modo para mantener tibio.

¿Qué hacer si el visor muestra "E00" o "E01" y emite pips continuos?

Esto sucede cuando la temperatura interna de la cámara es demasiado alta (>136° F) o demasiado baja (<-4° F).

- 1 Deje que el artefacto se asiente y tome la temperatura ambiente. Luego, verifique si puede funcionar nuevamente.
- 2 Si aún no funciona, llame al centro de servicio para efectuar una reparación.

¿Qué hacer si el visor muestra "EEE" y emite pips continuos?

El circuito del sensor de temperatura está roto. Comuníquese con el centro de servicios para efectuar una reparación.



¿Qué hacer si el visor muestra “HHH” y emite pips continuos?

Se ha sobrepasado el circuito del sensor de temperatura. Comuníquese con el centro de servicios para efectuar una reparación.

Detección y resolución de problemas con la panificadora

¿Qué hacer si sale humo o si hay olor a quemado proveniente de la parte trasera de la máquina?

Se han derramado los ingredientes fuera del recipiente para pan y han caído en la misma máquina. Detenga la panificadora y deje enfriar. Limpie la panificadora antes de volver a utilizar. Sírvase consultar la sección “Cuidado y limpieza” de este manual.

¿Qué hacer si la masa no se mezcla?

Asegúrese de que el recipiente para pan y la cuchilla de amasar se encuentran colocadas en el artefacto como corresponde.

Detección y resolución de problemas de horneado

¿Qué hacer si los costados del pan se rompen y la base del pan está húmeda?

Existen diversas soluciones posibles. El pan puede haber permanecido demasiado tiempo en el recipiente luego del horneado. Retire el pan del recipiente lo antes posible y déjelo enfriar. Pruebe esto: use más harina (una cucharadita por vez) o menos levadura (1/4 de cucharadita por vez) o menos agua o líquido (una cucharadita por vez). También puede ocurrir por no agregar sal a la receta.

¿Qué hacer si el pan tiene una textura pesada y gruesa?

Pruebe con menos harina (una cucharadita por vez) o más levadura (1/4 de cucharadita por vez). La harina podría vieja o ser de un tipo inadecuado para la receta.

¿Qué hacer si el pan no está cocido en el centro?

Pruebe con más harina (una cucharadita más por vez) o menos agua (una cucharadita menos por vez). No levante la tapa tantas veces durante el horneado.

¿Qué hacer si el pan tiene una textura áspera y con agujeros?

También puede ocurrir por no agregar sal a la receta.

¿Qué hacer si el pan leudó demasiado?

Pruebe con menos levadura (1/4 de cucharadita menos por vez). También podría ocurrir por olvidar agregar sal a la receta o por no colocar la cuchilla de amasar en el recipiente para pan.

¿Qué hacer si el pan no ha leudado lo suficiente?

Existen diversas soluciones posibles. Pruebe con menos harina (una cucharadita menos por vez) o más levadura (1/4 de cucharadita más por vez). También puede ocurrir por:

- olvidar agregar sal a la receta,
- usar harina vieja o del tipo inapropiado,
- usar levadura vieja,
- no usar agua caliente (salvo para los ciclos EXPRESSBAKE®).

¿Qué hago si el pan tiene harina en la parte superior?

Por lo general sucede cuando se usa demasiada harina o poca agua. Pruebe con menos harina (una cucharadita o menos por vez) o más levadura (1/4 de cucharadita menos por vez).

¿Qué hacer si el pan está demasiado dorado?

Por lo general esto ocurre cuando se agrega demasiada azúcar a la receta. Pruebe con menos azúcar (1 cucharadita por vez). También puede seleccionar un color de costra más suave.

¿Qué hacer si el pan no está lo suficientemente dorado?

Por lo general sucede cuando se levanta la tapa del artefacto repetidas veces o cuando se deja la tapa abierta mientras se está horneando el pan. Asegúrese de que la tapa se encuentre cerrada cuando la panificadora esté en funcionamiento.





Recetas con la configuración básica (Menú 1)

Etapas de la máquina para pan básico (para flautas de 1.5 lb.)

Para el ciclo básico, se supone que sucederá lo que se enumera a continuación a medida que el contador llega a 0. alcanza cero.

Para comenzar: Los ingredientes se amasan por primera vez (5 minutos)

Cuando el temporizador está en 03:13, la masa descansa por 5 minutos

Cuando el temporizador está en 3:08, la masa se trabaja por segunda vez (20 minutos)

Cuando el temporizador está en 2:48, la masa comienza a leudar (39 minutos)

Cuando el temporizador está en 2:09, la masa se "golpea" (10 segundos)

Cuando el temporizador está en 2:09, la masa continúa leudando (25 minutos y 50 segundos)

Cuando el temporizador está en 1:43, se le da "forma" a la masa (15 segundos)

Cuando el temporizador está en 1:43, la masa llega al último leudado (48 minutos y 45 segundos)

Cuando el temporizador está en 0:53, la masa comienza a hornearse (53 minutos)

ACuando el temporizador está en 0:00, el pan está listo.

Nota: La posición rápida reducirá el tiempo total en aproximadamente una hora.

Pan blanco tradicional

Básico

Flauta de 1.5 libras

- 1 taza de agua
- 2 cucharadas soperas de margarina o manteca
- 1 1/2 cucharadita de sal
- 3 tazas de harina para pan
- 2 cucharadas soperas de leche en polvo
- 1 cucharada soperas de azúcar
- 2 cucharaditas de levadura activa seca

Flauta de 2 libras

- 1 3/8 taza de agua
- 2 cucharadas soperas de margarina o manteca
- 1 3/4 cucharadita de sal
- 4 tazas de harina para pan
- 2 cucharadas soperas de leche en polvo
- 2 cucharadas soperas de azúcar
- 2 1/4 cucharaditas de levadura activa seca

- 1 Mida y agregue los ingredientes líquidos en el recipiente para pan
- 2 Mida y agregue los ingredientes secos en el recipiente para pan (menos la levadura).
- 3 Utilice el dedo para hacer un agujero (hueco) en la harina donde colocará la levadura. La levadura NUNCA debe entrar en contacto con líquido cuando agrega ingredientes. Mida la levadura cuidadosamente colóquela en el hueco.
- 4 Coloque el recipiente para pan en la panificadora y cierre la tapa.
- 5 Presione el botón "Seleccionar menú" para elegir la configuración Básica.
- 6 Presione el botón "tamaño de la flauta" para elegir 1 lb., 1.5 lb. o 2 lb.
- 7 Presione el botón "Color de costra" para elegir costra suave, media, oscura o rápida.
- 8 Presione el botón "Comenzar / Detener".



Pan de campo blanco

Básico

(sin programación de encendido automático) - flauta de 2 libras

- | | |
|---|--|
| 1 taza de leche tibia (110 – 115° F) | 4 tazas de harina para pan |
| 1 1/2 cucharada sopera de manteca o margarina | 1 1/2 cucharada sopera de azúcar |
| 1 huevo grande | 2 cucharaditas de levadura activa seca |
| 1 1/2 cucharadita de sal | |

- 1 Mida y agregue los ingredientes líquidos en el recipiente para pan
- 2 Mida y agregue los ingredientes secos en el recipiente para pan (menos la levadura).
- 3 Utilice el dedo para hacer un agujero (hueco) en la harina donde colocará la levadura. La levadura NUNCA debe entrar en contacto con líquido cuando agrega ingredientes. Mida la levadura cuidadosamente colóquela en el hueco.
- 4 Coloque el recipiente para pan en la panificadora y cierre la tapa.
- 5 Presione el botón "Seleccionar menú" para elegir la configuración Básica.
- 6 Presione el botón "tamaño de la flauta" para elegir 1 lb., 1.5 lb. o 2 lb.
- 7 Presione el botón "Color de costra" para elegir costra suave, media, oscura o rápida.
- 8 Presione el botón "Comenzar / Detener".

Pan de papa - flauta de 2 libras

Básico

- | | |
|---|--|
| 1 3/8 taza de agua | 2 cucharadas soperas de azúcar |
| 2 cucharadas soperas de margarina o manteca | 1/4 tasa de copos de papa instantánea |
| 1 3/4 cucharadita de sal | 2 cucharadas soperas de leche en polvo |
| 4 tazas de harina para pan | 1 3/4 cucharaditas de levadura activa seca |

- 1 Mida y agregue los ingredientes líquidos en el recipiente para pan
- 2 Mida y agregue los ingredientes secos en el recipiente para pan (menos la levadura).
- 3 Utilice el dedo para hacer un agujero (hueco) en la harina donde colocará la levadura. La levadura NUNCA debe entrar en contacto con líquido cuando agrega ingredientes. Mida la levadura cuidadosamente colóquela en el hueco.
- 4 Coloque el recipiente para pan en la panificadora y cierre la tapa.
- 5 Presione el botón "Seleccionar menú" para elegir la configuración Básica.
- 6 Presione el botón "tamaño de la flauta" para elegir 1 lb., 1.5 lb. o 2 lb.
- 7 Presione el botón "Color de costra" para elegir costra suave, media, oscura o rápida.
- 8 Presione el botón "Comenzar / Detener".

Pan con harina de avena - flauta de 2 libras

Básico

- | | |
|---|--|
| 1 1/4 tazas de agua | 3 3/4 tazas de harina para pan |
| 3 cucharadas soperas de miel | 2 cucharadas soperas de salvado de avena |
| 2 cucharadas soperas de margarina o manteca | 2 cucharadas soperas de leche en polvo |
| 3/4 taza de avena de rápida cocción | 2 cucharaditas de levadura activa seca |
| 1 3/4 cucharadita de sal | |

- 1 Mida y agregue los ingredientes líquidos en el recipiente para pan
- 2 Mida y agregue los ingredientes secos en el recipiente para pan (menos la levadura).
- 3 Utilice el dedo para hacer un agujero (hueco) en la harina donde colocará la levadura. La levadura NUNCA debe entrar en contacto con líquido cuando agrega ingredientes. Mida la levadura cuidadosamente colóquela en el hueco.
- 4 Coloque el recipiente para pan en la panificadora y cierre la tapa.
- 5 Presione el botón "Seleccionar menú" para elegir la configuración Básica.
- 6 Presione el botón "tamaño de la flauta" para elegir 1 lb., 1.5 lb. o 2 lb.
- 7 Presione el botón "Color de costra" para elegir costra suave, media, oscura o rápida.
- 8 Presione el botón "Comenzar / Detener".



Pan con pasas de uva (sin programación de encendido automático)

Básico

Flauta de 1.5 libras

7/8 taza de agua
1 1/2 cucharadas soperas de manteca o margarina
1 cucharadita de sal
3 tazas de harina para pan
2 cucharadas soperas de azúcar
1 1/2 cucharada soperas de leche en polvo
1 cucharadita de canela
1 3/4 cucharaditas de levadura activa seca
3/4 taza de pasas de uva (ver nota anterior)

Flauta de 2 libras

1 1/4 tazas de agua
2 cucharadas soperas de margarina o manteca
1 1/2 cucharadita de sal
4 tazas de harina para pan
3 cucharadas soperas de azúcar
2 cucharadas soperas de leche en polvo
1 1/2 cucharaditas de canela
2 1/4 cucharaditas de levadura activa seca
1 taza de pasas de uva (ver nota anterior)

- 1 Mida y agregue los ingredientes líquidos en el recipiente para pan
- 2 Mida y agregue los ingredientes secos en el recipiente para pan (menos la levadura).
- 3 Utilice el dedo para hacer un agujero (hueco) en la harina donde colocará la levadura. La levadura NUNCA debe entrar en contacto con líquido cuando agrega ingredientes. Mida la levadura cuidadosamente colóquela en el hueco.
- 4 Coloque el recipiente para pan en la panificadora y cierre la tapa.
- 5 Presione el botón "Seleccionar menú" para elegir la configuración Básica.
- 6 Presione el botón "tamaño de la flauta" para elegir 1 lb., 1.5 lb. o 2 lb.
- 7 Presione el botón "Color de costra" para elegir costra suave, media, oscura o rápida.
- 8 Presione el botón "Comenzar / Detener".

Nota: Cuando agregue frutas, por ejemplo, pasas de uva, la panificadora emitirá unos pips durante el ciclo de amasado. Cuando la panificadora emita el pip durante el ciclo de amasado. Levante la tapa y agregue las pasas de uva, pocas por vez, hasta que se mezclen con la masa.

Pan de centeno liviano - flauta de 1.5 libras

Básico

1 3/8 taza de agua	1 taza de harina de centeno
1 1/2 cucharadas soperas de manteca o margarina	2 cucharadas soperas colmadas de azúcar negra
1 1/2 cucharadita de sal	2 cucharaditas de levadura activa seca
3 tazas de harina para pan	

- 1 Mida y agregue los ingredientes líquidos en el recipiente para pan
- 2 Mida y agregue los ingredientes secos en el recipiente para pan (menos la levadura).
- 3 Utilice el dedo para hacer un agujero (hueco) en la harina donde colocará la levadura. La levadura NUNCA debe entrar en contacto con líquido cuando agrega ingredientes. Mida la levadura cuidadosamente colóquela en el hueco.
- 4 Coloque el recipiente para pan en la panificadora y cierre la tapa.
- 5 Presione el botón "Seleccionar menú" para elegir la configuración Básica.
- 6 Presione el botón "tamaño de la flauta" para elegir 1 lb., 1.5 lb. o 2 lb.
- 7 Presione el botón "Color de costra" para elegir costra suave, media, oscura o rápida.
- 8 Presione el botón "Comenzar / Detener".



Recetas con la configuración europea (Menú 8)

Etapas de la máquina para pan europeo - para flautas de 1.5 libras – el tamaño está configurado

Para el ciclo europeo, se supone que sucederá lo que se enumera a continuación a medida que el contador alcanza cero.

Para comenzar: Los ingredientes se amasan por primera vez (5 minutos)

Cuando el temporizador está en 03:25, the dough rests for 10 minutes

Cuando está en 03:15, la masa se trabaja por segunda vez (20 minutos)

Cuando está en 02:55, la masa comienza a leudar (39 minutos)

Cuando está en 02:15, la masa se "golpea" (10 segundos)

Cuando está en 02:15, la masa continúa leudando (25 minutos y 50 segundos)

Cuando está en 01:49, se le da "forma" a la masa (10 segundos)

Cuando está en 01:49, la masa llega al último período para leudar (49 minutos y 45 segundos)

Cuando está en 0:60, la masa comienza a hornearse (60 minutos)

Cuando está en 0:00, el pan está listo.

Nota: Con el programa de pan europeo, el tamaño de la flauta se fija en 1.5 lbs. y el color de la costra no se puede cambiar.

Pan de masa fermentada

Europeo

Todos los ingredientes deben estar a temperatura ambiente (70°–80°F)

- | | |
|--|--|
| 1 1/4 tazas de preparación para masa fermentada
(vea la "Preparación para masa fermentada"
a continuación) | 4 tazas de harina para pan |
| 3/4 taza de agua tibia | 3 cucharadas soperas de azúcar |
| 1 3/4 cucharaditas de sal | 1 3/4 cucharaditas de levadura activa seca |

- 1 Mida y agregue los ingredientes líquidos (inclusive la preparación para masa fermentada) en el recipiente para pan.
- 2 Mida y agregue los ingredientes secos (salvo la levadura) en el recipiente para pan.
- 3 Utilice el dedo para hacer un agujero (hueco) en la harina donde colocará la levadura. La levadura NUNCA debe entrar en contacto con el líquido cuando agrega ingredientes. Mida la levadura y viértala cuidadosamente en el hueco.
- 4 Coloque el recipiente para pan en la panificadora y cierre la tapa
- 5 Presione el botón "Seleccionar menú" para elegir la configuración europea.
- 6 Presione el botón "Comenzar / Detener".

Sourdough Starter

Europeo

- | | |
|--|-------------------------|
| 2 1/4 cucharaditas de levadura activa seca | 2 tazas de harina común |
| 2 tazas de agua tibia | |

- 1 En un bol de vidrio de 2 o 3 cuartos de galón, mezcle la levadura y el agua tibia con una cuchara de madera o de plástico. Deje reposar 10 minutos.
- 2 Agregue harina: mezcle hasta que se forme una masa espesa. No es necesario que la masa no tenga grumos.
- 3 Cubra sin apretar con una bambula, repasador fino o envoltura plástica.
- 4 Deje reposar en un lugar cálido durante 24 horas.
- 5 Revuelva, cubra sin apretar. Coloque la preparación en un lugar cálido por 2 o 3 días o hasta que se formen burbujas y huela avinagrado. Revuelva una vez por día.
- 6 Cubra con una envoltura plástica o con un cobertura plástica sin apretar. Refrigere.



Cómo reponer la preparación

Luego de haber utilizado una parte de la preparación, repóngala con igual cantidad de agua tibia y harina. Por ejemplo, si se utilizó 1–1/4 tazas (10 onzas) para hacer el pan, se debe reponer la preparación agregando 1–1/4 tazas de agua tibia y 1–1/4 tazas de harina. Revolver bien para mezclar. Cubra y deje reposar en un lugar cálido hasta que haga burbujas, de 3 a 5 horas. Guarde la preparación en el refrigerador en un recipiente de vidrio cubierto sin apretar. Si no lo utiliza al final de la semana, retire una taza de la fermentación y deséchela: luego, repóngala por partes iguales de harina y agua caliente según las instrucciones mencionadas anteriormente.

Claves para un exitoso horneado de masa fermentada

- Siempre haga la preparación en un recipiente de vidrio. Nunca la guarde en un recipiente de metal ni utilice recipientes de metal. La preparación reaccionará con el metal.
- Todos los ingredientes, inclusive la preparación, deben estar a temperatura ambiente (70° - 80° F). Los ingredientes fríos retardarán la actividad de la levadura.
- Cuando retire parte de la preparación, siempre repóngala. Deje reposar a temperatura ambiente de 3 a 5 horas, hasta que se empiecen a formar burbujas. Cubra y guarde en el refrigerador.
- Si la preparación se divide (se forma líquido en la superficie), revuelva antes de usar hasta que se mezcle.
- Si el líquido que se forma en la superficie de la preparación se vuelve rosado en algún momento, deseche esa preparación y comience nuevamente con ingredientes frescos.
- Importante: Para el pan de masa fermentada hecho en una panificadora automática se debe agregar levadura. La concentración de la preparación y la cantidad de veces que leuda en la panificadora no son suficientes para un leudado adecuado sin el uso de levadura adicional.

Recetas con la configuración francesa (Menú 2)

Etapas de la máquina para pan francés (para flautas de 1.5 libras)

Para el ciclo francés, se supone que sucederá lo que se enumera a continuación a medida que el contador va bajando hasta alcanzar el cero.

Para comenzar: Los ingredientes se amasan por primera vez (5 minutos)

Cuando el temporizador está en 03:30, la masa descansa por 5 minutos

Cuando está en 03:25, la masa se trabaja por segunda vez (20 minutos)

Cuando está en 03:05, la masa comienza a leudar (39 minutos)

Cuando está en 02:26, la masa se "golpea" (10 segundos)

Cuando está en 02:26, la masa continúa leudando (30 minutos y 50 segundos)

Cuando está en 01:55, se le da "forma" a la masa (10 segundos)

Cuando está en 01:55, la masa llega al último leudado (59 minutos y 50 segundos)

Cuando está en 00:55, la masa comienza a hornearse (55 minutos)

Cuando está en 0:00, el pan está listo.

Nota: La posición rápida reducirá el tiempo total en aproximadamente una hora.



Pan de campo francés - flauta de 2 libras

Francés

- | | |
|---|--|
| 1 3/8 taza de agua | 4 tazas de harina para pan |
| 1 1/2 cucharada sopera de aceite vegetal o de oliva | 1 cucharada sopera de azúcar |
| 1 1/2 cucharadita de sal | 2 cucharaditas de levadura activa seca |

- 1 Mida y agregue los ingredientes líquidos en el recipiente para pan.
- 2 Mida y agregue los ingredientes secos (salvo la levadura) en el recipiente para pan.
- 3 Utilice el dedo para hacer un agujero (hueco) en la harina donde colocará la levadura. La levadura NUNCA debe entrar en contacto con el líquido cuando agrega ingredientes. Mida la levadura y viértala cuidadosamente en el hueco.
- 4 Coloque el recipiente para pan en la panificadora y cierre la tapa.
- 5 Presione el botón "Seleccionar menú" para elegir la configuración francesa.
- 6 Presione el botón "tamaño de la flauta" para elegir 1 lb., 1.5 lb. o 2 lb.
- 7 Presione el botón "Color de costra" para elegir costra suave, media, oscura o rápida.
- 8 Presione el botón "Comenzar / Detener".

Pan italiano con hierbas - flauta de 2 libras

Francés

- | | |
|---|---|
| 1 1/4 taza de agua | 1/4 taza de queso parmesano rallado |
| 1 1/2 cucharas soperas de aceite vegetal o de oliva | 2 cucharaditas de copos de cebolla en polvo |
| 1 cucharadita de sal | 1/2 cucharadita de albahaca en polvo |
| 3 1/2 tazas de harina para pan | 1/2 cucharas soperas de ajo en polvo |
| 1 cucharaditas de azúcar | 2 cucharaditas de levadura activa seca |
| 1 cucharada sopera de perejil seco | |

- 1 Mida y agregue los ingredientes líquidos en el recipiente para pan.
- 2 Mida y agregue los ingredientes secos (salvo la levadura) en el recipiente para pan.
- 3 Utilice el dedo para hacer un agujero (hueco) en la harina donde colocará la levadura. La levadura NUNCA debe entrar en contacto con el líquido cuando agrega ingredientes. Mida la levadura y viértala cuidadosamente en el hueco.
- 4 Coloque el recipiente para pan en la panificadora y cierre la tapa.
- 5 Presione el botón "Seleccionar menú" para elegir la configuración francesa.
- 6 Presione el botón "tamaño de la flauta" para elegir 1 lb., 1.5 lb. o 2 lb.
- 7 Presione el botón "Color de costra" para elegir costra suave, media, oscura o rápida.
- 8 Presione el botón "Comenzar / Detener".



Recetas con la configuración dulce (Menú 4)

Etapas de la máquina para pan dulce (para flautas de 1.5 libras)

En el ciclo de pan dulce, se supone que sucederá lo que se enumera a continuación a medida que el contador desciende hasta alcanzar el cero.

Para comenzar: Los ingredientes se amasan por primera vez (5 minutos)

Cuando está en 3:17, la masa descansa por 5 minutos

Cuando está en 3:12, la masa se amasa por segunda vez (20 minutos)

Cuando está en 2:52, la masa empieza a elevar (39 minutos)

Cuando está en 02:13, la masa se "golpea" (10 segundos)

Cuando está en 02:13, la masa continúa leudando (25 minutos y 50 segundos)

Cuando está en 01:47, se le da "forma" a la masa (5 segundos)

Cuando está en 1:47, la masa llega al último leudado (51 minutos y 55 segundos)

Cuando está en 00:55, la masa comienza a hornearse (55 minutos)

Cuando está en 0:00, el pan está listo.

Nota: Con el programa de pan dulce, el color de la costra no se puede cambiar.

Primavera favorito pan

Dulce

(sin programación de encendido automático) - flauta de 1.5 libras

1 taza de agua	3 3/4 tazas de harina para pan
1/4 taza de manteca o margarina	1/2 taza de azúcar
1 huevo grande	3 cucharadas soperas de leche en polvo
1 1/2 cucharadita de extracto de vainilla	2 cucharaditas de levadura activa seca
1 1/4 cucharadita de extracto de almendras	3/4 taza de pasas de uva
1 cucharadita de sal	1 1/2 cucharaditas de cáscara de naranja rallada

- 1 Mida y agregue los ingredientes líquidos en el recipiente para pan.
- 2 Mida y agregue los ingredientes secos (salvo la levadura) en el recipiente para pan.
- 3 Utilice el dedo para hacer un agujero (hueco) en la harina donde colocará la levadura. La levadura NUNCA debe entrar en contacto con el líquido cuando agrega ingredientes. Mida la levadura y viértala cuidadosamente en el hueco.
- 4 Coloque el recipiente para pan en la panificadora y cierre la tapa.
- 5 Presione el botón "Seleccionar menú" para elegir la configuración Dulce.
- 6 Presione el botón "tamaño de la flauta" para elegir 1 lb., 1.5 lb. o 2 lb.
- 7 Presione el botón "Comenzar / Detener".

Nota: Cuando agregue frutas, por ejemplo, pasas de uva, la panificadora emitirá unos pips durante el ciclo de amasado. Levante la tapa y agregue las pasas de uva, pocas por vez, hasta que se mezclen con la masa.



Queso cottage y pan con cebollino

Dulce

(sin programación de encendido automático) - flauta de 1.5 libras

3/8 taza de agua	3 3/4 tazas de harina para pan
1 taza de queso cottage	3 cucharadas soperas de cebollinos en polvo
1 huevo	2 1/2 cucharadas soperas de azúcar
2 cucharadas soperas de margarina o manteca	2 1/4 cucharaditas de levadura activa seca
1 1/2 cucharadita de sal	

- 1 Mida y agregue los ingredientes líquidos en el recipiente para pan.
- 2 Mida y agregue los ingredientes secos (salvo la levadura) en el recipiente para pan.
- 3 Utilice el dedo para hacer un agujero (hueco) en la harina donde colocará la levadura. La levadura NUNCA debe entrar en contacto con el líquido cuando agrega ingredientes. Mida la levadura y viértala cuidadosamente en el hueco.
- 4 Coloque el recipiente para pan en la panificadora y cierre la tapa.
- 5 Presione el botón "Seleccionar menú" para elegir la configuración Dulce.
- 6 Presione el botón "tamaño de la flauta" para elegir 1 lb., 1.5 lb. o 2 lb.
- 7 Presione el botón "Comenzar / Detener".

Pan especial de invierno

Dulce

(sin programación de encendido automático) - flauta de 1.5 libras

7/8 taza de agua	1/4 taza harina de maíz
2 cucharadas soperas de margarina o manteca	2 3/4 tazas de harina para pan
Un huevo grande	2/3 taza de harina integral
1/4 taza de melaza	2 1/4 cucharaditas de levadura activa seca

- 1 Mida y agregue los ingredientes líquidos en el recipiente para pan.
- 2 Mida y agregue los ingredientes secos (salvo la levadura) en el recipiente para pan.
- 3 Utilice el dedo para hacer un agujero (hueco) en la harina donde colocará la levadura. La levadura NUNCA debe entrar en contacto con el líquido cuando agrega ingredientes. Mida la levadura y viértala cuidadosamente en el hueco.
- 4 Coloque el recipiente para pan en la panificadora y cierre la tapa.
- 5 Presione el botón "Seleccionar menú" para elegir la configuración Dulce.
- 6 Presione el botón "tamaño de la flauta" para elegir 1 lb., 1.5 lb. o 2 lb.
- 7 Presione el botón "Comenzar / Detener".



Pan con manzana y nueces - flauta de 1.5 libras

Dulce

3/4 taza de salsa de manzana sin azúcar	1/4 taza colmada de azúcar negra
3/8 tazas de jugo de manzana	1 1/4 cucharadita de canela
3 cucharadas soperas de margarina o manteca	1/2 cucharadita de bicarbonato de sodio
1 huevo grande	2 cucharaditas de levadura activa seca
1 cucharadita de sal	1/2 taza de nueces partidas
4 tazas de harina para pan	

- 1 Mida y agregue los ingredientes líquidos en el recipiente para pan.
- 2 Mida y agregue los ingredientes secos (salvo la levadura) en el recipiente para pan.
- 3 Utilice el dedo para hacer un agujero (hueco) en la harina donde colocará la levadura. La levadura NUNCA debe entrar en contacto con el líquido cuando agrega ingredientes. Mida la levadura y viértala cuidadosamente en el hueco.
- 4 Coloque el recipiente para pan en la panificadora y cierre la tapa.
- 5 Presione el botón "Seleccionar menú" para elegir la configuración Dulce.
- 6 Presione el botón "tamaño de la flauta" para elegir 1 lb., 1.5 lb. o 2 lb.
- 7 Presione el botón "Comenzar / Detener".

Nota: Cuando agregue frutas, por ejemplo, pasas de uva, la panificadora emitirá unos pips durante el ciclo de amasado. Levante la tapa y agregue las pasas de uva, pocas por vez, hasta que se mezclen con la masa.

EXPRESSBAKE®: Configuración Recetas de configuración (Menús 5 y 6)



EXPRESSBAKE® Etapas de la máquina

Para el ciclo de la panificadora EXPRESSBAKE® Breadmaker puede esperar que suceda lo siguiente mientras el contador alcanza cero.

Para comenzar: Los ingredientes se amasan por primera vez (15 minutos)

Cuando está en 0:43, la masa empieza a leudar (8 minutos)

Cuando está en 0:35, la masa empieza a hornearse (35 minutos)

Cuando está en 0:00, está listo el pan.

Important: NO PUEDE usar el programa de encendido automático con la panificadora en EXPRESSBAKE®. NO PUEDE cambiar el color de la costra.



Pan Blanco

EXPRESSBAKE

Flauta de 1.5 libras

Flauta de 1.5 libras
1 taza y 2 cucharadas de agua caliente (115°–125°F)
2 cucharadas de aceite
2 cucharadas de azúcar
1 cucharadita de sal
3 tazas de harina para pan
5 cucharaditas de levadura activa seca

Flauta de 2 libras

1 1/2 taza de agua caliente (115°–125°F)
3 cucharadita de aceite
3 cucharadas de azúcar
1 1/2 cucharadita de sal
4 tazas de harina para pan
2 cucharadas de levadura activa seca

Importante: Mida con exactitud el agua caliente y asegúrese de que está entre 115°–125°F con un termómetro de cocina.

- 1 Mida y agregue los ingredientes líquidos en el recipiente para pan.
- 2 Mida y agregue los ingredientes secos (salvo la levadura) en el recipiente para pan.
- 3 Utilice el dedo para hacer un agujero (hueco) en la harina donde colocará la levadura. La levadura NUNCA debe entrar en contacto con el líquido cuando agrega ingredientes. Mida la levadura y viértala cuidadosamente en el hueco.
- 4 Coloque el recipiente para pan en la panificadora y cierre la tapa.
- 5 Presione el botón "Seleccionar Menú" y elija la configuración de Express Bake
 - a. Express Bake (1.5LB) para flautas de 1.5 libras
 - b. Express Bake (2.0LB) para flautas de 2 libras
- 6 Presione el botón "Comenzar / Detener".

Pan de queso y centeno

EXPRESSBAKE

Flauta de 1.5 libras

1 taza y 2 cucharadas de agua caliente (115°–125°F)
1 cucharada de aceite
1 cucharada de azúcar
1 cucharadita de sal
2 1/2 tazas de harina para pan
1/2 taza de harina de centeno
1 cucharada de queso Parmesano rallado
1 taza de queso cheddar desmenuzado
5 cucharaditas de levadura activa seca

Flauta de 2 libras

1 1/2 taza de agua caliente (115°–125°F)
4 cucharadita de aceite
2 cucharadas de azúcar
1 1/2 cucharadita de sal
3 1/4 tazas de harina para pan
2/3 taza de harina de centeno
2 cucharadas de queso Parmesano rallado
1 1/4 tazas de queso cheddar desmenuzado
2 cucharadas de levadura activa seca

Importante: Mida con exactitud el agua caliente y asegúrese de que está entre 115°–125°F con un termómetro de cocina.

- 1 Mida y agregue los ingredientes líquidos en el recipiente para pan.
- 2 Mida y agregue los ingredientes secos (salvo la levadura) en el recipiente para pan.
- 3 Utilice el dedo para hacer un agujero (hueco) en la harina donde colocará la levadura. La levadura NUNCA debe entrar en contacto con el líquido cuando agrega ingredientes. Mida la levadura y viértala cuidadosamente en el hueco.
- 4 Coloque el recipiente para pan en la panificadora y cierre la tapa.
- 5 Presione el botón "Seleccionar Menú" y elija la configuración de Express Bake
 - a. Express Bake (1.5LB) para flautas de 1.5 libras
 - b. Express Bake (2.0LB) para flautas de 2 libras
- 6 Presione el botón "Comenzar / Detener".



Flauta de 1.5 libras

- 1 taza y 2 cucharadas de agua caliente (115°–125°F)
- 2 cucharadas de aceite
- 2 cucharadas de azúcar
- 3 tazas de harina para pan
- 2 cucharadas de mezcla de sopa cesa de cebolla
- 4 1/2 de cucharaditas de levadura activa seca

Flauta de 2 libras

- 1 1/2 y 1 cucharada de agua caliente (115°–125°F)
- 3 cucharadas de aceite
- 3 cucharadas de azúcar
- 4 tazas de harina para pan
- 3 cucharadas de mezcla de sopa cesa de cebolla
- 2 cucharadas de levadura activa seca

Importante: Mida con exactitud el agua caliente y asegúrese de que está entre 115°–125°F con un termómetro de cocina.

- 1 Mida y agregue los ingredientes líquidos en el recipiente para pan.
- 2 Mida y agregue los ingredientes secos (salvo la levadura) en el recipiente para pan.
- 3 Utilice el dedo para hacer un agujero (hueco) en la harina donde colocará la levadura. La levadura NUNCA debe entrar en contacto con el líquido cuando agrega ingredientes. Mida la levadura y viértala cuidadosamente en el hueco.
- 4 Coloque el recipiente para pan en la panificadora y cierre la tapa.
- 5 Presione el botón "Seleccionar Menú" y elija la configuración de Express Bake
 - a. Express Bake (1.5LB) para flautas de 1.5 libras
 - b. Express Bake (2.0LB) para flautas de 2 libras
- 6 Presione el botón "Comenzar / Detener".

Recetas de la configuración

Pan integral (Menú 3)

Etapas de la máquina (para flautas de 1.5 libras)

Para el ciclo Pan integral se supone que sucederá lo que se enumera a continuación a medida que el contador alcanza cero..

Para comenzar: Los ingredientes se amasan por primera vez (5 minutos)

Cuando está en 3:15, la masa descansa por 5 minutos

Cuando está en 3:10, la masa se amasa por segunda vez (15 minutos)

Cuando está en 2:55, la masa comienza a leudar (49 minutos)

Cuando está en 2:05, la masa se "golpea" (10 segundos)

Cuando está en 2:05, la masa continúa leudando (25 minutos y 50 segundos)

Cuando está en 1:40, se da "forma" a la masa (10 segundos)

Cuando está en 1:40, la masa llega al último leudado (49 minutos and 50 segundos)

Cuando está en 0:50, la masa comienza a hornearse (50 minutos)

Cuando está en 0:00, el pan está listo.

Nota: La posición rápida reducirá el tiempo total en aproximadamente una hora.



100% Pan Integral - flauta de 2 libras

Integral

- 1 5/8 de tazas de agua
- 1/3 taza de azúcar morena comprimida
- 2 cucharaditas de sal
- 4 2/3 tazas de harina integral
- 3 cucharaditas de levadura activa seca

- 1 Mida y agregue los ingredientes líquidos en el recipiente para pan.
- 2 Mida y agregue los ingredientes secos (salvo la levadura) en el recipiente para pan.
- 3 Utilice el dedo para hacer un agujero (hueco) en la harina donde colocará la levadura. La levadura NUNCA debe entrar en contacto con el líquido cuando agrega ingredientes. Mida la levadura y viértala cuidadosamente en el hueco.
- 4 Coloque el recipiente para pan en la panificadora y cierre la tapa.
- 5 Presione el botón "Seleccionar/Menú" para elegir la configuración Pan Integral
- 6 Presione el botón "tamaño de la flauta" para elegir 1 lb., 1.5 lb. o 2 lb.
- 7 Presione el botón "Color de costra" para elegir costra suave, media, oscura o rápida.
- 8 Presione el botón "Comenzar / Detener".

Pan de trigo de miel

Integral

Flauta de 1.5 libras

- 1 taza de agua
- 2 cucharadas de mantequilla o margarina
- 1 1/2 cucharadas de miel
- 1 cucharadita de sal
- 2 1/4 tazas de harina para pan
- 1 taza de harina integral
- 1/2 taza de avena instantánea
- 2 cucharaditas de levadura activa seca

Flauta de 2 libras

- 1 y 3/8 tazas de agua
- 2 1/2 cucharadas mantequilla o margarina
- 2 cucharadas de miel
- 1 y 3/4 cucharaditas de sal
- 2 1/2 tazas harina para pan
- 1 1/4 tazas de harina integral
- 2/3 taza de avena instantánea
- 2 1/4 cucharaditas de levadura activa seca

- 1 Mida y agregue los ingredientes líquidos en el recipiente para pan.
- 2 Mida y agregue los ingredientes secos (salvo la levadura) en el recipiente para pan.
- 3 Utilice el dedo para hacer un agujero (hueco) en la harina donde colocará la levadura. La levadura NUNCA debe entrar en contacto con el líquido cuando agrega ingredientes. Mida la levadura y viértala cuidadosamente en el hueco.
- 4 Coloque el recipiente para pan en la panificadora y cierre la tapa.
- 5 Presione el botón "Seleccionar/Menú" para elegir la configuración Pan Integral
- 6 Presione el botón "tamaño de la flauta" para elegir 1 lb., 1.5 lb. o 2 lb.
- 7 Presione el botón "Color de costra" para elegir costra suave, media, oscura o rápida.
- 8 Presione el botón "Comenzar / Detener".



Pan Integral de Miel - flauta de 1.5 libras

Integral

1 1/8 tazas de agua	3 1/2 tazas harina para pan
2 cucharadas de mantequilla o margarina	1 taza de hojuelas de trigo
4 cucharadas de miel	2 cucharadas cereal de salvado de trigo
1 cucharadita de sal	2 cucharaditas de levadura activa seca

- 1 Mida y agregue los ingredientes líquidos en el recipiente para pan.
- 2 Mida y agregue los ingredientes secos (salvo la levadura) en el recipiente para pan.
- 3 Utilice el dedo para hacer un agujero (hueco) en la harina donde colocará la levadura. La levadura NUNCA debe entrar en contacto con el líquido cuando agrega ingredientes. Mida la levadura y viértala cuidadosamente en el hueco.
- 4 Coloque el recipiente para pan en la panificadora y cierre la tapa.
- 5 Presione el botón "Seleccionar/Menú" para elegir la configuración Pan Integral
- 6 Presione el botón "tamaño de la flauta" para elegir 1 lb., 1.5 lb. o 2 lb.
- 7 Presione el botón "Color de costra" para elegir costra suave, media, oscura o rápida.
- 8 Presione el botón "Comenzar / Detener".

Pan de trigo de verano - flauta de 1.5 libras

Integral

1 3/8 tazas de agua	2 tazas de harina para pan
1 1/2 cucharadas de aceite vegetal	2 tazas harina integral
2 cucharadas de piloncillo	2 cucharaditas levadura activa seca
1 1/2 cucharaditas de sal	

- 1 Mida y agregue los ingredientes líquidos en el recipiente para pan.
- 2 Mida y agregue los ingredientes secos (salvo la levadura) en el recipiente para pan.
- 3 Utilice el dedo para hacer un agujero (hueco) en la harina donde colocará la levadura. La levadura NUNCA debe entrar en contacto con el líquido cuando agrega ingredientes. Mida la levadura y viértala cuidadosamente en el hueco.
- 4 Coloque el recipiente para pan en la panificadora y cierre la tapa.
- 5 Presione el botón "Seleccionar/Menú" para elegir la configuración Pan Integral
- 6 Presione el botón "tamaño de la flauta" para elegir 1 lb., 1.5 lb. o 2 lb.
- 7 Presione el botón "Color de costra" para elegir costra suave, media, oscura o rápida.
- 8 Presione el botón "Comenzar / Detener".

Pan de suero de leche - flauta de 1.5 libras

Integral

1 1/4 tazas de agua	1 taza de harina de centeno
1 1/2 cucharada de mantequilla o margarina	2 cucharadas de suero de leche en polvo
1 cucharadita de vinagre blanco	1 cucharada de vital gluten
2 cucharadas de azúcar morena comprimida	1 1/2 cucharaditas de semillas de alcaravea
2 tazas de harina para pan	2 cucharaditas levadura activa seca
1 taza de harina integral	

- 1 Mida y agregue los ingredientes líquidos en el recipiente para pan.
- 2 Mida y agregue los ingredientes secos (salvo la levadura) en el recipiente para pan.
- 3 Utilice el dedo para hacer un agujero (hueco) en la harina donde colocará la levadura. La levadura NUNCA debe entrar en contacto con el líquido cuando agrega ingredientes. Mida la levadura y viértala cuidadosamente en el hueco.
- 4 Coloque el recipiente para pan en la panificadora y cierre la tapa.
- 5 Presione el botón "Seleccionar/Menú" para elegir la configuración Pan Integral
- 6 Presione el botón "tamaño de la flauta" para elegir 1 lb., 1.5 lb. o 2 lb.
- 7 Presione el botón "Color de costra" para elegir costra suave, media, oscura o rápida.
- 8 Presione el botón "Comenzar / Detener".



Recetas Configuración de Masa/Pasta (Menús 9 y 10)

Las Etapas de la Panadería de Masa/Pasta

Para el ciclo de masa/pasta, se supone que sucederá lo que se enumera a continuación a medida que el contador alcanza cero.

Masa/Pasta:

Para comenzar: Los ingredientes se amasan por primera vez (5 minutos)

Cuando está en 1:25, la masa descansa por 5 minutos

Cuando está en 1:20, la masa se amasa por segunda vez (20 minutos)

Cuando está en 1:00, la masa comienza a leudar (60 minutos)

Cuando está en 0:00, la masa está lista.

Masa para Bagels:

Para comenzar: Los ingredientes se amasan por primera vez (5 minutos)

Cuando está en 1:40, la masa se amasa por segunda vez (10 minutos)

Cuando está en 1:30, la masa comienza a leudar (90 minutos)

Cuando está en 0:00, la masa está lista.

Ingredientes para la masa (2 libras):

2 cucharaditas de aceite

2 cucharaditas de sal

2 cucharaditas de leche seca

1 cucharadita de azúcar

4 1/2 tazas harina

1 3/4 tazas de agua

1 cucharadita de levadura activa seca

Ingredientes para la receta de la masa para Bagels:

1 3/4 tazas de agua

1 1/2 cucharaditas de miel

1 1/2 cucharaditas de sal

3 tazas de harina

1 1/2 cucharaditas de levadura activa seca



Instrucciones para la masa

- 1 Coloque los ingredientes en un molde de pan y coloque el molde en la panificadora.
- 2 Presione el botón "Seleccionar Menú" para elegir la configuración de la masa de la masa para bagels (si está preparando masa para bagels).
- 3 Presione el botón "Comenzar / Detener". La pantalla comenzará a contar de manera regresiva el tiempo en la configuración de la masa. Cuando la masa esté lista, se escuchará una señal y la pantalla mostrará "0:00".
- 4 Presione el botón "Comenzar / Detener" hasta que oiga un pip y se ponga en blanco la pantalla.
- 5 Para remover el molde de pan, agarre la manga firmemente y remueve el molde.

Nota: No se calienta el molde al usar la configuración para la masa.

La Preparación de la Masa para Hornear

- 1 Espolvoree ligeramente la harina sobre un petate o una tabla para postres. Al utilizar una espátula de hule o una cuchara de madera, remueva la masa del molde y colóquela sobre una superficie ligeramente espolvoreada con harina. Amase la masa 2 ó 3 veces para eliminar el aire. Si se maneja la masa fácilmente sin harina, dele forma sobre una superficie limpia ligeramente engrasada.
- 2 Moldee la masa a su gusto en rollos, roscas, etc. (las sugerencias vienen a continuación). Colóquelo sobre un molde engrasado. Tape la masa con un trapo limpio y déjela leudarse hasta que casi se duplique en tamaño (casi 1 hora).
- 3 Hornee según la receta. Retírelo del molde y deje que se enfríe sobre una rejilla o sívalo tibio.

Variaciones para darle forma a la masa

Panecillos

Divida la masa en 12 piezas iguales, forme bolitas y colóquelas en un molde para panquecitos. Cúbralo, deje que se leuden y hornee según las instrucciones. Rinde 12 piezas.

Roles

Engrase ligeramente una bandeja para hornear. Divida la masa en 10 piezas iguales. Sobre una superficie ligeramente engrasada enrollar a mano cada pieza de aproximadamente 10 pulgadas de largo alrededor de un lápiz. Empiece a enrollar cada pieza alrededor del centro para formar un rollo. Coloque los rollos sobre una bandeja para hornear previamente engrasada. Cúbralo, deje que se leude, y hornee según las instrucciones. Rinde 10 unidades.



Cuernos de mantequilla

Engrase una bandeja para hornear y colóquela a un lado. Sobre una superficie ligeramente espolvoreada con harina, enrolle la masa en un círculo de 12 pulgadas. Barnice la masa con mantequilla derretida. Coloque los rollos volteados, con un espacio de 2 a 3 pulgadas entre cada uno, sobre la lámina previamente engrasada. Cúbralo, deje que se leude, y hornee según las instrucciones. Rinde 12 unidades.

Leudado

Para reducir el tiempo en que la masa leude

Pre caliente un horno convencional a 200°F por 5 minutos, después apague el horno. Moldee la masa, colóquela sobre una bandeja para hornear según las instrucciones y cúbrala con un trapo limpio de la cocina. Coloque la masa en el horno hasta que se duplique en tamaño. Esto reducirá el tiempo necesario para leudar a aproximadamente la mitad.

Las recetas en las que se usa harina integral o harina no refinada contienen menos gluten y posiblemente no se leuden tanto como aquellas en las que se utiliza harina blanca para pan. Debido a esto, los panes más pesados pueden tener un parte más chata o inclusive un hueco pequeño en el centro. Asimismo se puede agregar el gluten de trigo para mejorar la forma y el volumen del pan hecho con harinas que contienen menos gluten.



Almacenamiento

Mantener Su Pan Fresco

El pan hecho en casa no contiene conservadores, entonces guarde la flauta enfriada en una bolsa de plástico ligeramente cerrada. Si así lo desea, coloque un tallo de apio en la bolsa para mantener el pan más fresco por más tiempo. No lo guarde en el refrigerador debido a que esto causa que el pan se reseque más rápido.

Pan para Pretzels

Masa

Todos los ingredientes al tiempo del ambiente (70– 80°F)

2 tazas de harina para pan	7/8 taza de agua
1 1/2 cucharadita de levadura activa seca	1 a 2 cucharadas de sal no refinada (Kosher)
1/4 cucharadita de sal	1 huevo, ligeramente cuando está enido
1/2 cucharadita de azúcar	

- 1 Mida y agregue los ingredientes salvo el huevo y la sal no refinada en el recipiente para pan.
- 2 Presione el botón "Comenzar / Detener" para borrar la pantalla.
- 3 Presione el botón "Seleccionar/Menú" para elegir la configuración de la masa.
- 4 Presione el botón "Comenzar / Detener". La pantalla comenzará a contar de manera regresiva el tiempo en la configuración de la masa. Cuando la masa esté lista, se escuchará una señal y la pantalla mostrará "0:00."
- 5 Presione el botón "Comenzar / Detener" hasta que oiga un pip y se ponga en blanco la pantalla.
- 6 Para remover el molde de pan, agarre la manga firmemente y remueve el molde.
- 7 Precaliente el horno a 450°F.
- 8 Divida la masa en 12 piezas. Enrolle cada una en la forma de un lazo de 8 pulgadas. Moldéelo en la forma de un pretzel o deje como un palito. Coloque sobre una charola para hornear engrasada, barnice cada uno con el huevo cuando está enido. Espolvoree con la sal no refinada.
- 9 Hornee en el horno precalentado por 12 a 15 minutos.

Rollos de Mantequilla (sin programa de encendido automático)

Masa

Todos los ingredientes al tiempo del ambiente (70–80°F), salvo la leche

2 cucharadas de azúcar	1/4 taza de agua
1 cucharadita de sal	1 huevo
2 3/4 tazas de harina para pan	3/4 a 7/8 tazas de leche
2 cucharadita de levadura activa seca	1/4 taza de mantequilla

- 1 Mida y agregue los ingredientes en el recipiente para pan
- 2 Presione el botón "Comenzar / Detener" para borrar la pantalla.
- 3 Presione el botón "Seleccionar/Menú" para elegir la configuración de la masa.
- 4 Presione el botón "Comenzar / Detener". La pantalla comenzará a contar de manera regresiva el tiempo en la configuración de la masa. Cuando la masa esté lista, se escuchará una señal y la pantalla mostrará "0:00."
- 5 Presione el botón "Comenzar / Detener" hasta que oiga un pip y se ponga en blanco la pantalla.
- 6 Para remover el molde de pan, agarre la manga firmemente y remueve el molde.
- 7 Moldee a su gusto (véase "Variaciones para Moldear la Masa", página 72).
- 8 Hornee a 350°F por 25 a 30 minutos. Rinde 12 rollos.



Roscas (sin programa de encendido automático)

Masa

Todos los ingredientes al tiempo del ambiente (70–80°F), salvo la leche

1/4 taza de azúcar	1 yema de huevo
1 cucharadita de sal	3/4 a 7/8 tazas de leche
2 1/4 tazas de harina para pan	1 cucharada de mantequilla o margarina
2 cucharaditas de levadura activa seca	

- 1 Mida y agregue los ingredientes en el recipiente para pan
- 2 Presione el botón "Comenzar / Detener" para borrar la pantalla.
- 3 Presione el botón "Seleccionar/Menú" para elegir la configuración de la masa.
- 4 Presione el botón "Comenzar / Detener". La pantalla comenzará a contar en forma regresiva el tiempo que requiera la configuración elegida. Cuando la masa esté lista, se escuchará una señal y la pantalla mostrará "0:00."
- 5 Presione el botón "Comenzar / Detener" hasta que oiga un pip y se ponga en blanco la pantalla.
- 6 Para remover el molde de pan, agarre la manga firmemente y remueve el molde.
- 7 Coloque la masa en un molde redondo engrasado de 9 pulgadas o en un molde rectangular engrasado de 5 x 7 pulgadas.
- 8 Agregue la cubierta. Rinde una rosca. (Véase la receta de "Cubiertas", a la derecha.)

Cubiertas

Masa

2 cucharadas de mantequilla derretida	1/2 taza de azúcar
1 cucharadita de canela molida	1/2 taza de nueces cortadas

Glaseado de azúcar glas, opcional (ver la receta abajo)

- 1 Salpica la mantequilla sobre la masa.
- 2 En un tazón pequeño, mezcle el azúcar, la canela y las nueces; espolvoree sobre la mantequilla. Cubrir y dejar que se leude en un lugar templado por aproximadamente 30 minutos.
- 3 Hornee en un horno precalentado (375°F) por 20 a 25 minutos, hasta que se dore.
- 4 Enfríe por 10 minutos en el molde sobre la rejilla.
- 5 Salpique con la cubierta de azúcar glas, si así lo desea. Rinde suficiente como para cubrir una rosca

Glaseado de azúcar glas

Masa

(para roscas y rolos dulces)

1 taza de azúcar de glas cernida	1 cucharadita de mantequilla o margarina, blanda
1 ó 2 cucharadas de agua o leche	1/2 cucharadita de vainilla

- 1 En un tazón pequeño, combine todos los ingredientes y mezclar hasta que tenga una textura suave.
- 2 Untar o salpicar el glaseado sobre la rosca o los rollos dulces tibios. Rinde lo suficiente como para cubrir una rosca.



Todos los ingredientes a temperatura ambiente (70–80°F)

1.5 libra

1/2 cucharadita de sal
3 tazas de harina multiuso
1 1/2 cucharadita de levadura activa seca
1 taza de agua
2 cucharadas de aceite de olivo o vegetal

2 libras

3/4 cucharadita de sal
4 tazas de harina multiusos
2 cucharadita de levadura activa seca
1 y 3/8 tazas de agua
3 cucharadas de aceite de olivo o vegetal

- 1 Mida y agregue los ingredientes en el recipiente para pan.
- 2 Presione el botón "Comenzar / Detener" hasta que se ponga en blanco la pantalla.
- 3 Presione el botón "Seleccionar/Menú" para elegir la configuración de la masa.
- 4 Presione el botón "Comenzar / Detener". La pantalla comenzará a contar en forma regresiva el tiempo en la configuración de la masa. Cuando la masa esté lista, se escuchará una señal y la pantalla mostrará "0:00".
- 5 Presione el botón "Comenzar / Detener" hasta que oiga un pip y se ponga en blanco la pantalla.
- 6 Para retirar el molde de pan, agarre la manija firmemente y saque el recipiente.
- 7 Coloque la masa en una molde para rollos de jalea que mide 12 x 15 pulgadas o un molde redondo engrasado de 12 pulgadas (la receta de 1/2 libra) o en una bandeja para pizzas de 14 pulgadas (la receta de 2 libras)
- 8 Precaliente el horno a 400°F.
- 9 Unte la salsa para pizzas sobre la masa. Salpica las cubiertas sobre la salsa.
- 10 Hornee de 15 a 20 minutos o hasta que el pan esté dorado.

Cubiertas para pizzas (opcional)

1 taza (8 oz) de salsa preparada para pizzas
1/2 libra de chorizo, dorado y sin grasa
1/3 taza de cebollas picadas
1 paquete. (de 3 a 4 onzas) de peperoni en rebanadas
1 Cuando está ena (4 onzas) de tallos y piezas de champiñones, sin líquido
1 taza de pimientos verdes picados

Recetas para Pastas**Pasta Sencilla (sin programa de encendido automático)**

Todos los ingredientes a temperatura ambiente (70–80°F)

2 tazas de harina multiuso
1 taza harina de sémola
1 cucharadita de sal

1 cucharada de aceite de oliva o vegetal
7/8 taza de agua

- 1 Mida y agregue los ingredientes en el recipiente para pan.
- 2 Presione el botón "Comenzar / Detener" hasta que se ponga en blanco la pantalla.
- 3 Presione el botón "Seleccionar/Menú" para elegir la configuración de la masa.
- 4 Presione el botón "Comenzar / Detener" y permita que se mezcle entre 8 y 10 minutos. Luego, vuelva a presionar el botón "Comenzar / Detener" para cancelar la operación.
- 5 Saque la masa y enróllela sobre una superficie con harina. Enrolle a un grosor de 1/8 pulgadas. Espolvoree la masa está pegajosa.
- 6 Córtele en trozos de 1/8 de una pulgada para los tallarines delgadas y de 1/4 de una pulgada para los tallarines medianos. Cocine un una olla grande con agua hirviendo y sal por 10 a 15 minutos. Escúrralos en un colador



Recetas para la configuración Jaleas (Jaleas y Mermeladas) (Menú 11)

Etapas de la máquina

Para el ciclo Jaleas se supone que sucederá lo que se enumera a continuación a medida que el contador va descendiendo hasta alcanzar cero.

To begin: Los ingredientes se amasan por primera vez (15 minutos)

Cuando esté en 0:50, la masa comienza a hornearse (50 minutos)

Cuando esté en 0:00, la Jalea está lista.

Jalea de Mermelada (sin programa de encendido automático) **Mermelada**

1 taza de azúcar
1 cucharada de pectina de fruta en polvo baja en azúcar

1 1/2 de fresas frescas, en rebanadas
2 cucharaditas de jugo de limón

- 1 Mida y agregue los ingredientes en el recipiente para pan
- 2 Presione el botón "Comenzar / Detener" hasta que se ponga en blanco la pantalla.
- 3 Presione el botón "Seleccionar/Menú" para elegir la configuración de la jalea.
- 4 Presione el botón "Comenzar / Detener". La pantalla comenzará a contar en forma regresiva el tiempo en la configuración de la jalea. Cuando la jalea esté lista, se escuchará una señal y la pantalla mostrará "0:00"
- 5 Utilizando agarraderas, saque el recipiente para pan. Vierte la jalea en contenedores; cubra y refrigere para que se cuaje. Rinde aproximadamente 3 tazas.

Mermelada de Naranja (sin programa de encendido automático) **Mermelada**

1 1/4 tazas de azúcar
2 cucharadas de pectina de fruta en polvo baja en azúcar

3 naranjas grandes
1 limón

- 1 Use un pelador de verduras para rasurar el nivel brillante de la cáscara de una naranja y de un limón; picar finamente.
- 2 Remueva y tire la capa blanca de la naranja y del limón.
- 3 Pelee las demás naranjas y tire la cáscara. Rebane la fruta en piezas de 1/2 pulgada.
- 4 Combine las cáscaras, la fruta, el azúcar y la pectina en el recipiente para pan.
- 5 Presione el botón "Comenzar / Detener" hasta que se ponga en blanco la pantalla.
- 6 Presione el botón "Seleccionar/Menú" para elegir la configuración de la jalea.
- 7 Presione el botón "Comenzar / Detener". La pantalla comenzará a contar de manera regresiva el tiempo en la configuración de la jalea. Cuando la jalea esté lista, se escuchará una señal y la pantalla mostrará "0:00"
- 8 Utilizando agarraderas, saque el recipiente para pan. Vierta la jalea en contenedores; cubra y refrigere para que se cuaje. Rinde aproximadamente 3 tazas.

Jalea de bayas congeladas (sin programa de encendido automático) **Mermelada**

1 3/4 tazas de azúcar
1 paquete (de 10 a 12 onzas) de bayas congeladas (fresas y zarzamoras son ideales)

1 bolsa (3 onzas) de pectina de fruta en líquido
1 cucharada de jugo de limón

- 1 Mida y agregue los ingredientes en el recipiente para pan.
- 2 Presione el botón "Comenzar / Detener" hasta que se ponga en blanco la pantalla.
- 3 Presione el botón "Seleccionar/Menú" para elegir la configuración jalea.
- 4 Presione el botón "Comenzar / Detener". La pantalla comenzará a contar en forma regresiva el tiempo en la configuración jalea. Cuando la jalea esté lista, se escuchará una señal y la pantalla mostrará "0:00"
- 5 Utilizando agarraderas, saque el recipiente para pan. Vierte la jalea en contenedores; cubra y refrigere. Rinde aproximadamente 3 tazas.



Glaseados

Después de que los rollos se leudan, aplique el glaseado deseado con una brocha de pastelería. Cocine según las instrucciones en la receta.

- Para un pan brillante y dorado, use un glaseado de huevo o de yema de huevo.
- Para un pan brillante y consistente, use un glaseado de clara l blanco del huevo (el color del pan será más claro).

Glaseado de huevo

Mezcle un huevo ligeramente batido con un 1 cda.de agua o leche

Glaseado de yema de huevo

Mezcle un huevo ligeramente batido con un 1 cda.de agua o leche

Glaseado de la clara de huevo

Mezcle un huevo ligeramente batido con un 1 cda.de agua.

Nota: Para mantener la yema del huevo fresca por varios días, cubra con agua fría y guarde en el refrigerador en un recipiente cubierto.

Mantequilla con ajo

Mezcle: 1/4 taza de margarina o mantequilla, suavizada
1/8 cda. de ajo en polvo

Herb-Cheese Butter

Mezcle: 1/4 de una taza margarina o mantequilla, suavizada
1 cda. de queso Parmesano rayado
1 cda. de perejil fresco picado
1/4 cda. de hojas secas de orégano
Una pizca de sal de ajo

Mantequilla de Yervas Italianas

Mezcle: 1/4 de una taza margarina o mantequilla, suavizada
1/2 cda. de sazónamiento italiano
Una pizca de sal

Crema choco-plátano

Mezcle: 1/3 taza de plátano maduro aplastado
1/2 taza de chispas de chocolate semi-dulce, derretidas

Crema de jamón y queso suizo

Mezcle: 1 paquete (3 onzas) de queso crema, suavizado
2 cda. de jamón ahumado, picado finamente, completamente cocido
1 cda. de queso suizo desmenuzado
1/2 cda. de mostaza preparada

Crema de yerbas y queso crema

Mezcle: 1 paquete (4 onzas) de queso crema batido
1 cda. de eneldo fresco o 1/2 cda. eneldo seco
1 pequeño diente de ajo, finamente picado



Crema de miel-nuez

Mezcle: 1 paquete (3 onzas) de queso crema, suavizado
1 cda. de nueces picadas
2 cda. de miel

Crema de aceituna maduro

Cubra y mezcle en un procesador de comida o en una licuadora hasta que esté ligeramente gruesos:

1 1/2 aceitunas maduras, deshuesadas
3 cda. aceite de oliva
3 cda. alcaparras, sin agua
3 filetes planos de anchoa, sin agua
1 cda. de sazónamiento italiano
2 dientes de ajo

Glaseado de mantequilla dorada

2 cda. de margarina o mantequilla
2/3 taza de azúcar glas
1/2 cda. de vainilla
3 a 4 cda. de leche

Caliente la margarina en una olla de 1 litro a fuego mediano hasta que se dore ligeramente; enfríe. Mezcle el azúcar glas y la vainilla. Vierta la leche hasta que tenga una consistencia suave y delgada como para salpicar.

Glaseado de canela

Mezcle hasta que tenga una consistencia como para salpicar:

1/2 taza de azúcar glas
1/4 cda. de canela molida
1 1/2 cda. de agua

Glaseado cítrico

Mezcle hasta que tenga una consistencia como para salpicar:

1/2 taza de azúcar glas
1 cda. de cáscaras de limón o naranja
1 1/2 a 2 cda. de jugo de limón o naranja

Glaseado cremoso de vainilla

Mezcle hasta que tenga una consistencia para salpicar:

1/2 taza de azúcar glas
1/4 cda. de vainilla
1 1/2 a 2 cda. de leche





Garantía Limitada de 1 Año

Sunbeam Products, Inc. operando bajo el nombre de Jarden Consumer Solutions, o en Canadá, Sunbeam Corporation (Canada) Limited operando bajo el nombre de Jarden Consumer Solutions, (en forma conjunta, "JCS"), garantiza que por un período de un año a partir de la fecha de compra, este producto estará libre de defectos de materiales y mano de obra. JCS, a su elección, reparará o reemplazará este producto o cualquier componente del mismo que presente defectos durante el período de garantía. El reemplazo se realizará por un producto o componente nuevo o reparado. Si el producto ya no estuviera disponible, se lo reemplazará por un producto similar de valor igual o superior. Ésta es su garantía exclusiva. No intente reparar o ajustar ninguna función eléctrica o mecánica de este producto. Al hacerlo eliminará ésta garantía.

La garantía es válida para el comprador minorista original a partir de la fecha de compra inicial y la misma no es transferible. Conserve el recibo de compra original. Para solicitar servicio en garantía se requiere presentar un recibo de compra. Los agentes y centros de servicio de JCS o las tiendas minoristas que venden productos de JCS no tienen derecho a alterar, modificar ni cambiar de ningún otro modo los términos y las condiciones de esta garantía.

Esta garantía no cubre el desgaste normal de las piezas ni los daños que se produzcan como resultado de uso negligente o mal uso del producto, uso de voltaje incorrecto o corriente inapropiada, uso contrario a las instrucciones operativas, y desarme, reparación o alteración por parte de un tercero ajeno a JCS o a un Centro de Servicio autorizado por JCS. Asimismo, la garantía no cubre actos fortuitos tales como incendios, inundaciones, huracanes y tornados.

¿Cuál es el límite de responsabilidad de JCS?

JCS no será responsable de daños incidentales o emergentes causados por el incumplimiento de alguna garantía o condición expresa, implícita o legal.

Excepto en la medida en que lo prohíba la ley aplicable, cualquier garantía o condición implícita de comerciabilidad o aptitud para un fin determinado se limita, en cuanto a su duración, al plazo de la garantía antes mencionada.

JCS queda exenta de toda otra garantías, condiciones o manifestaciones, expresa, implícita, legal o de cualquier otra naturaleza.

JCS no será responsable de ningún tipo de daño que resulte de la compra, uso o mal uso del producto, o por la imposibilidad de usar el producto, incluidos los daños incidentales, especiales, emergentes o similares, o la pérdida de ganancias, ni de ningún incumplimiento contractual, sea de una obligación esencial o de otra naturaleza, ni de ningún reclamo iniciado contra el comprador por un tercero.

Algunas provincias, estados o jurisdicciones no permiten la exclusión o limitación de los daños incidentales o emergentes ni las limitaciones a la duración de las garantías implícitas, de modo que es posible que la exclusión o las limitaciones antes mencionadas no se apliquen en su caso.

Esta garantía le otorga derechos legales específicos y es posible que usted tenga otros derechos que varían de un estado, provincia o jurisdicción a otro.

Cómo solicitar el servicio en garantía

En los Estados Unidos

Si tiene alguna pregunta sobre esta garantía o desea recibir servicio de garantía, llame al 1-800-334-0759 y podrá obtener la dirección del centro de servicio que le resulte más conveniente

En Canadá

Si tiene alguna pregunta sobre esta garantía o desea recibir servicio de garantía, llame al 1-800-667-8623 y podrá obtener la dirección del centro de servicio que le resulte más conveniente.

En los Estados Unidos, esta garantía es ofrecida por Sunbeam Products, Inc. operando bajo el nombre de Jarden Consumer Solutions, Boca Ratón, Florida 33431. En Canadá, esta garantía es ofrecida por Sunbeam Corporation (Canada) Limited operando bajo el nombre de Jarden Consumer Solutions, 20 B Hereford Street, Brampton, Ontario L6Y 0M1. Si usted tiene otro problema o reclamo en conexión con este producto, por favor escriba al Departamento de Servicio al Consumidor

POR FAVOR NO DEVUELVA ESTE PRODUCTO A NINGUNA DE ESTAS DIRECCIONES NI AL LUGAR DE COMPRA.





For product questions contact:

Sunbeam Consumer Service

USA: 1.800.334.0759

Canada: 1.800.667.8623

www.oster.com

©2009 Sunbeam Products, Inc. doing business as
Jarden Consumer Solutions. All rights reserved.
Distributed by Sunbeam Products, Inc. doing business as
Jarden Consumer Solutions, Boca Raton, Florida 33431.

Para preguntas sobre los productos llame:

Sunbeam Consumer Service

EE.UU.: 1.800.334.0759

Canadá: 1.800.667.8623

www.oster.com

©2009 Sunbeam Products, Inc. operando bajo el nombre de
Jarden Consumer Solutions. Todos los derechos reservados.
Distribuido por Sunbeam Products, Inc. operando bajo el
nombre de Jarden Consumer Solutions, Boca Raton, Florida 33431.

SPR-063009

Free Manuals Download Website

<http://myh66.com>

<http://usermanuals.us>

<http://www.somanuals.com>

<http://www.4manuals.cc>

<http://www.manual-lib.com>

<http://www.404manual.com>

<http://www.luxmanual.com>

<http://aubethermostatmanual.com>

Golf course search by state

<http://golfingnear.com>

Email search by domain

<http://emailbydomain.com>

Auto manuals search

<http://auto.somanuals.com>

TV manuals search

<http://tv.somanuals.com>