

# Oster®

AUTOMATIC CAN OPENER  
ABRELATAS AUTOMÁTICO

User Guide/ Guía del Usuario:  
**FPSTCN1300**



*Safety*  
*Seguridad*



*How to use*  
*Cómo usar*



*Care & Cleaning*  
*Cuidado y Limpieza*



*Warranty*  
*Garantía*

[www.oster.com](http://www.oster.com)

# IMPORTANT SAFEGUARDS

When using electrical appliances, basic safety precautions should always be followed including the following:

- **READ ALL INSTRUCTIONS BEFORE USE**
- To protect against the risk of electrical shock, do not put Can Opener in water or other liquid.
- Close supervision is necessary when any can opener is used by or near children.
- Unplug from outlet when not in use, before putting on or taking off parts, and before cleaning.
- Avoid contacting moving parts.
- Do not operate can opener with a damaged cord or plug or after the appliance malfunctions, or is dropped or damaged in any manner. Return can opener to an Authorized Sunbeam Appliance Service Center for examination, repair or electrical or mechanical adjustment.
- Do not use with an extension cord.
- The use of attachments not recommended or sold by the manufacturer may cause fire, electrical shock or injury.
- Do not use outdoors.
- Do not let the cord hang over edge of table or countertop or to touch hot surfaces.
- Do not open pressurized (aerosol-type) cans.
- Do not open cans of flammable liquids such as lighter fluids.
- Do not use can opener for other than intended use or leave unattended while in use.
- Do not operate this appliance in the presence of explosive and/or flammable fumes.



# **READ THE FOLLOWING INSTRUCTIONS BEFORE USING THE UNIT FOR THE FIRST TIME**

## **THIS UNIT IS INTENDED FOR HOUSEHOLD USE ONLY**

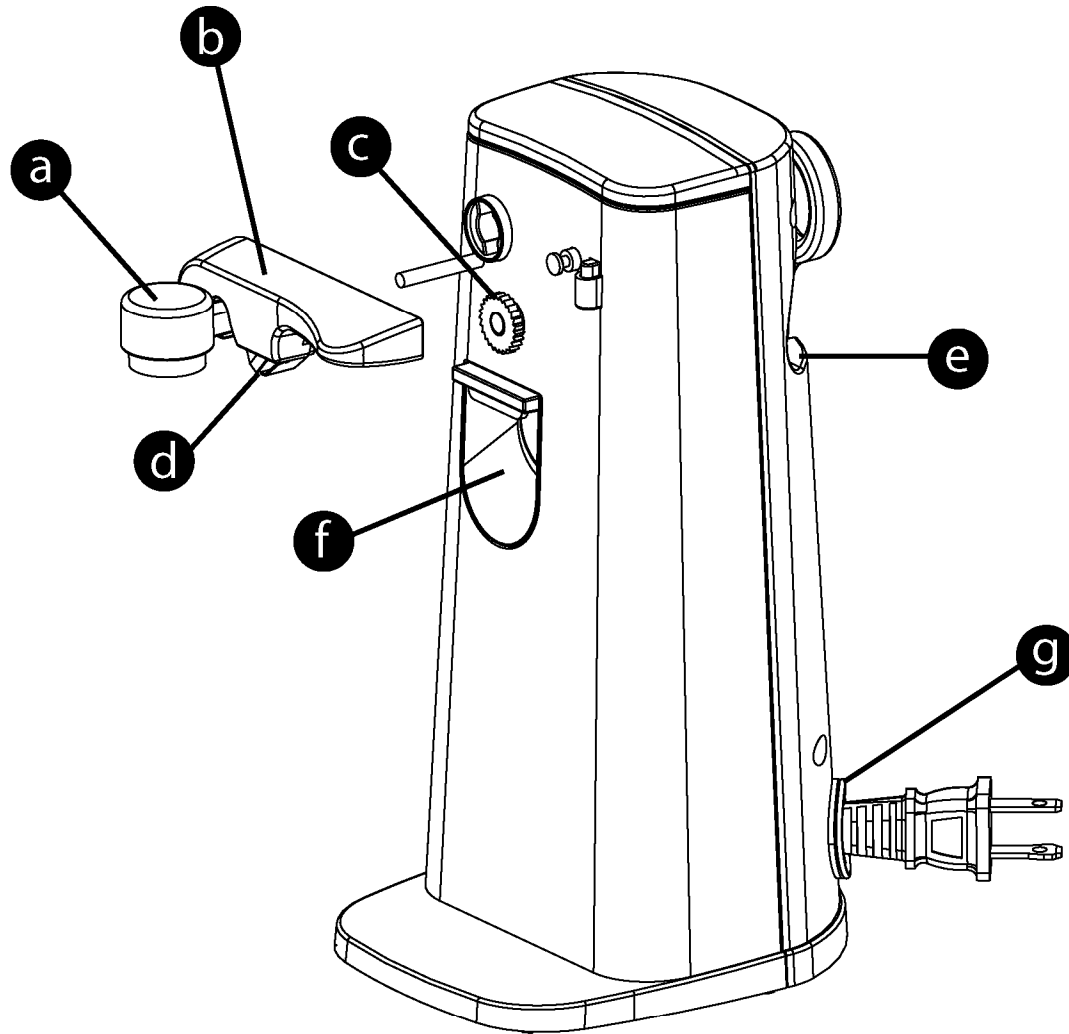
To reduce the risk of electrical shock, this appliance has a polarized plug (*one blade is wider than the other*). This plug fits a polarized outlet only one way; if the plug does not fit fully into the outlet, reverse the plug. If it still does not fit, contact a qualified electrician. Do not attempt to defeat this safety feature.

# **SAVE THESE INSTRUCTIONS**

Thank you for purchasing the OSTER® Can Opener. Before you use this product for the first time, please take a few moments to read these instructions and keep it for reference. Pay particular attention to the Safety Instructions provided. Please review the product service and warranty statements. To learn more about Oster® products, please visit us at [www.oster.com](http://www.oster.com) or call us at 1-800-334-0759.



# LEARNING ABOUT YOUR OSTER® CAN OPENER



- a** Magnetic Lid Lifter
- b** Can Opener Lever
- c** Drive Wheel
- d** Cutting Blade
- e** Knife Sharpening Slot
- f** Bottle Opener
- g** Retractable Cord Storage







## HOW TO:

### Opening cans

- 1 Plug electrical cord into 120 volt, 60 Hz AC outlet.
- 2 Pull up on the magnetic lid lifter until it locks in the up position, then gently lift the can opener lever to the upright position as shown in Figure 1.
- 3 Place the can so that the lower edge of the can lip rests on top of the drive wheel. Be certain that the cutting blade is on the inside of the can lip as shown in figure 2.
- 4 Push can opener lever down firmly and hold until the can lid is automatically pierced and the cutting action begins as shown in Figure 3. **NOTE:** It is not necessary to hold the can opener lever down during the cutting cycle.
- 5 When the can is fully open, the cutting action will automatically stop. The can will remain in position until the lever is raised.
- 6 To release, grasp the can firmly in one hand and raise the lever using the other hand. The magnetic lid lifter will retain the lid as shown in Figure 4.

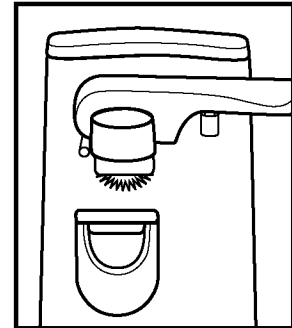


Figure 1

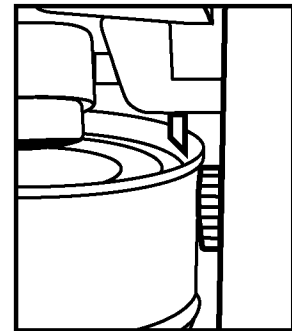


Figure 2

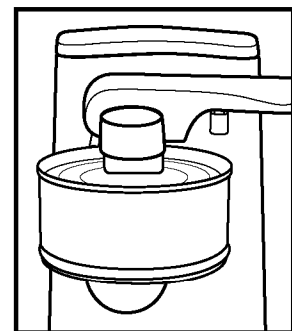


Figure 3

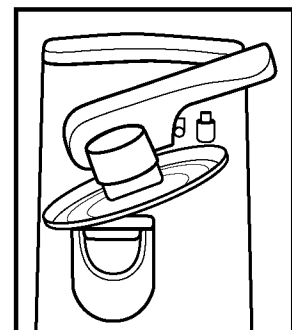


Figure 4



## Helpful Hints For Using Your Can Opener

- This can opener should not be used to open cans designed to be opened by another method, such as a pull tab, peel-off, foil seal, or rolling key. This can opener will not open rimless cans or cans with angled corners.
- Occasionally, badly dented cans will cause the can opener to stall. If this happens, grasp the dented can and guide it through the cutting action manually until the damaged areas are passed.
- To open a can that has become jammed, raise the can opener lever and release the can. Begin the cutting action again in a new place on the can lip.

## Sharpening Knives

Do not attempt to sharpen hollow ground blades or those with serrated edges. Always use safe practices when using or sharpening knives, maintain hands away from knife blade.

- 1** Be sure knife is clean and free of grease.
- 2** Place heel of knife into the guide slot located on the back of the can opener.
- 3** Lightly draw the blade towards you, applying a slight downward pressure.
- 4** Repeat this procedure four to five times to put a sharp edge on the knife.



## Opening Bottles

- 1 The bottle opener at the front of the unit will only remove metal bottle caps. Do not use it for screw-off caps, punch in tabs, or on cans with pull rings.
- 2 To open a bottle, grasp it and position the cap under the metal "hook" in the bottle opener located on the front of the unit below the lever.
- 3 Hold the can opener with one hand and pull down to pop the cap off with the other one.

**IMPORTANT:** Be sure the "hook" is not under the bottle neck or the glass may break.

## Retractable Cord Feature

This can opener has a unique retractable cord storage feature which allows for easily storing your cord neatly out of sight. Do not use product if cord or plug is damaged.

- 1 Select the amount of cord desired before plugging into an electrical outlet. Do not use excessive force.
- 2 Hold the can opener with one hand and use the other hand to grab the cord plug (failure to hold plug may cause plug to fly).
- 3 To retract the cord, carefully use the cord prongs to press the retraction button located on the back of the unit.
- 4 The cord reel is compact for multi-layer winding of the cord. In case cord is not fully rewound, carefully pull out the cord and steer cord evenly on the reel.
- 5 In case the cord is not pulled out easily, pull cord firmly.

**CAUTION:** Do not allow children to use retractable cord feature as the cord may cause injury.





## CARE & CLEANING

### Cleaning Your Automatic Can Opener

#### **UNPLUG THE CAN OPENER WHEN NOT IN USE AND BEFORE ANY CLEANING**

- Never immerse the can opener, cord, or plug in water or other liquids.
- To insure proper sanitation, all removable parts on the can opener should be detached and cleaned thoroughly in warm, soapy water at regular intervals. Rinse and dry thoroughly.
- To clean motor housing, wipe clean using a damp cloth.
- Wipe off drive wheel with a damp cloth.

**NOTE: DO NOT** place any parts of this unit in the dishwasher.

#### **Removable blade assembly**

Blade assembly can be easily removed for cleaning and replaced when done.

- 1** To detach the can opener lever from the unit
  - a. Gently lift the can opener lever to the upright position
  - b. Hold the can opener with one hand while gently pulling the can opener lever away from the front of the unit with the other.
- 2** To re-attach the can opener lever back on the unit
  - a. Hold the can opener lever in the vertical position.
  - b. Insert shaft into the key hole near the drive wheel and push the lever in all the way.
  - c. Rotate the can opener lever clockwise until it is horizontal.



**NOTE:** If lever is properly engaged, it cannot be removed from the can opener when in horizontal position.

**HINT:** Cutting mechanism may collect food or paper from can labels and should be washed frequently.

## **Maintenance**

The motor and internal gears of your can opener unit are permanently lubricated at the factory for lifetime service and require no further attention. The cutting blade is made of hardened steel and will last for years under normal use. Do not attempt to sharpen.





# 1 Year Limited Warranty

Sunbeam Products, Inc. doing business as Jarden Consumer Solutions or if in Canada, Sunbeam Corporation (Canada) Limited doing business as Jarden Consumer Solutions (collectively "JCS") warrants that for a period of one year from the date of purchase, this product will be free from defects in material and workmanship. JCS, at its option, will repair or replace this product or any component of the product found to be defective during the warranty period. Replacement will be made with a new or remanufactured product or component. If the product is no longer available, replacement may be made with a similar product of equal or greater value. This is your exclusive warranty. Do NOT attempt to repair or adjust any electrical or mechanical functions on this product. Doing so will void this warranty.

This warranty is valid for the original retail purchaser from the date of initial retail purchase and is not transferable. Keep the original sales receipt. Proof of purchase is required to obtain warranty performance. JCS dealers, service centers, or retail stores selling JCS products do not have the right to alter, modify or any way change the terms and conditions of this warranty.

This warranty does not cover normal wear of parts or damage resulting from any of the following: negligent use or misuse of the product, use on improper voltage or current, use contrary to the operating instructions, disassembly, repair or alteration by anyone other than JCS or an authorized JCS service center. Further, the warranty does not cover: Acts of God, such as fire, flood, hurricanes and tornadoes.

## **What are the limits on JCS's Liability?**

JCS shall not be liable for any incidental or consequential damages caused by the breach of any express, implied or statutory warranty or condition.

Except to the extent prohibited by applicable law, any implied warranty or condition of merchantability or fitness for a particular purpose is limited in duration to the duration of the above warranty.



JCS disclaims all other warranties, conditions or representations, express, implied, statutory or otherwise.

JCS shall not be liable for any damages of any kind resulting from the purchase, use or misuse of, or inability to use the product including incidental, special, consequential or similar damages or loss of profits, or for any breach of contract, fundamental or otherwise, or for any claim brought against purchaser by any other party.

Some provinces, states or jurisdictions do not allow the exclusion or limitation of incidental or consequential damages or limitations on how long an implied warranty lasts, so the above limitations or exclusion may not apply to you.

This warranty gives you specific legal rights, and you may also have other rights that vary from province to province, state to state or jurisdiction to jurisdiction.

### **How to Obtain Warranty Service**

#### **In the U.S.A.**

If you have any question regarding this warranty or would like to obtain warranty service, please call 1-800-334-0759 and a convenient service center address will be provided to you.

#### **In Canada**

If you have any question regarding this warranty or would like to obtain warranty service, please call 1-800-667-8623 and a convenient service center address will be provided to you.

In the U.S.A., this warranty is offered by Sunbeam Products, Inc. doing business as Jarden Consumer Solutions located in Boca Raton, Florida 33431. In Canada, this warranty is offered by Sunbeam Corporation (Canada) Limited doing business as Jarden Consumer Solutions, located at 20 B Hereford Street, Brampton, Ontario L6Y 0M1. If you have any other problem or claim in connection with this product, please write our Consumer Service Department.

**PLEASE DO NOT RETURN THIS PRODUCT TO ANY OF THESE ADDRESSES OR TO THE PLACE OF PURCHASE.**









# PRECAUCIONES IMPORTANTES

Cuando use aparatos eléctricos, siempre debe seguir precauciones básicas de seguridad, incluyendo las siguientes:

- **LEA TODAS LAS INSTRUCCIONES ANTES DE USAR**
- Para protegerse del riesgo de un choque eléctrico, no sumerja el Abrelatas en agua u otro líquido.
- Supervisión estricta es necesaria cuando cualquier abrelatas sea usado por o cerca de niños.
- Desenchufe del tomacorriente cuando no esté en uso, antes de poner o remover partes, y antes de limpiar el aparato.
- Evite el contacto con partes que se muevan.
- No opere el abrelatas con el cordón o enchufe dañado, o después de que el aparato haya tenido una falla o se haya dejado caer o haya sido dañado de alguna manera. Devuelva el Abrelatas a un Centro Autorizado de Servicio al Cliente para evaluación, reparación o ajuste mecánico o eléctrico.
- No use con una extensión de cable.
- El uso de accesorios no recomendados o vendidos por la compañía manufacturera puede causar fuego, choque eléctrico o lesiones.
- No use al aire libre.
- No deje que el cordón cuelgue del borde de la mesa o tablero, o que toque superficies calientes
- No abra latas presurizadas (tipo aerosol).
- No abra latas de líquidos inflamables como por ejemplo líquidos para encendedores.
- No use el Abrelatas para otro uso que no sea el recomendado o deje desatendido mientras esta en uso.
- No opere este aparato en la presencia de explosivos y/o gases inflamables



# LEA LAS SIGUIENTES INSTRUCCIONES ANTES DE USAR SU UNIDAD POR PRIMERA VEZ

## ESTA UNIDAD ES PARA USO DOMÉSTICO SOLAMENTE

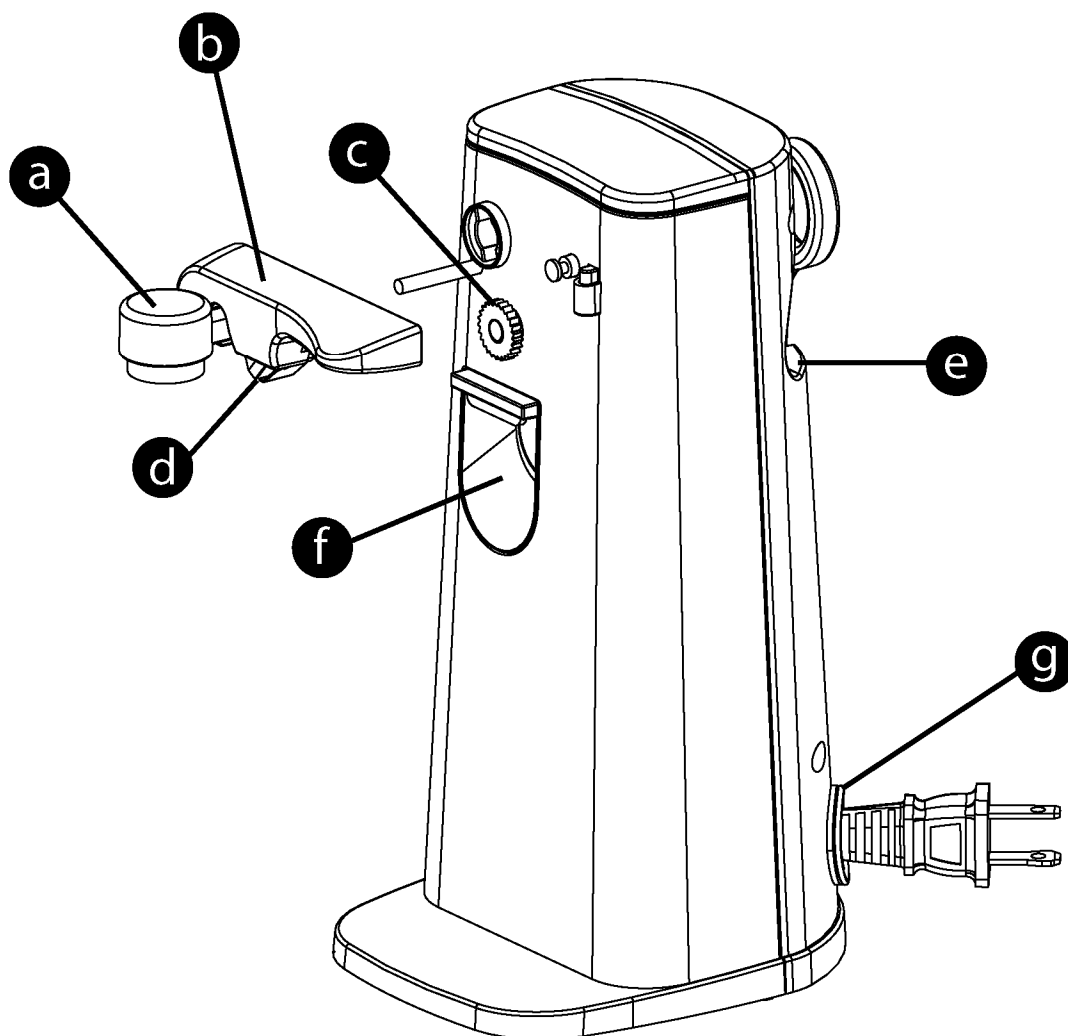
Para reducir el riesgo de choque eléctrico, este aparato tiene un enchufe polarizado (*una hoja es más ancha que la otra*). Este enchufe debe entrar en un tomacorriente polarizado solamente de una manera; si el enchufe se resiste a entrar completamente en el tomacorriente, inviértalo. Si aún así no entra, contacte a un electricista calificado. No intente modificar esta característica de seguridad.

# GUARDE ESTAS INSTRUCCIONES

Gracias por comprar el Abrelatas OSTER! Antes de usar este producto por primera vez, por favor tómese unos momentos para leer estas instrucciones y manténgalas de referencia. Ponga particular atención a las Instrucciones de Seguridad que se proveen. Por favor revise las secciones de servicio del producto y la garantía. Para aprender más acerca de los productos Oster, por favor visítenos en [www.oster.com](http://www.oster.com) o llame al 1-800-334-0759.



# APRENDIENDO ACERCA DE SU ABRELATAS OSTER



**a** tador de tapa magnético

**b** Palanca del abrelatas

**c** Rueda de tracción

**d** Hoja cortante

**e** Apertura del afilador de cuchillo

**f** Destapador de botellas

**g** Almacenaje de cordón retractable





# INSTRUCCIONES:

## Abriendo latas

- 1 Enchufe el cable eléctrico a un tomacorriente AC de 120Voltios, 60 Hertz.
- 2 Levante el levantador de tapa magnético hasta que se asegure en posición hacia arriba, luego levante despacio la palanca del abrelatas hasta la posición hacia arriba como se muestra en la figura 1.
- 3 Coloque la lata de manera que la parte inferior del borde de la lata reste sobre la rueda de tracción. Asegúrese que la hoja cortante este en el lado interior del borde de la lata como se muestra en la figura 2.
- 4 Presione la palanca del abrelatas hacia abajo de modo firme y sostenga hasta que la tapa de la lata sea cortada automáticamente y la acción de corte empiece, como se muestra en la figura 3.  
**NOTA:** No es necesario que sostenga la palanca del abrelatas hacia abajo durante el ciclo de cortado.
- 5 Cuando la lata esté completamente abierta, la acción de cortado parará automáticamente. La lata se mantendrá en posición hasta que la palanca se levante.
- 6 Para liberar la lata, sosténgala firmemente con una mano y levante la palanca usando la otra mano. El levantador de tapa magnético retendrá la tapa como se muestra en la figura 4.

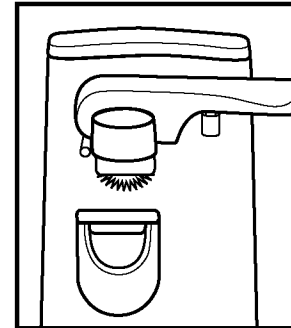


Figura 1

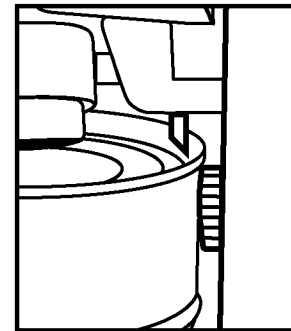


Figura 2

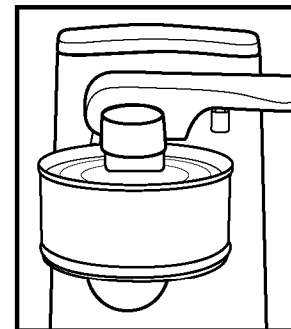


Figura 3

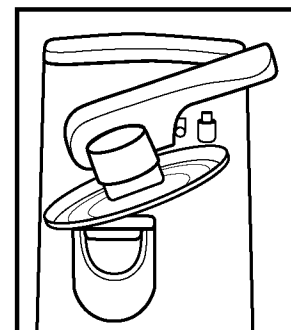


Figura 4



## Recomendaciones útiles para el uso de su Abrelatas

- Este abrelatas no debe ser usado para abrir latas designadas para ser abiertas por otro método, como por ejemplo, latas con anillo de jalar, latas que se pelan, latas con sellado de papel aluminio, o latas con llave para desenrollar. Este abrelatas no abrirá latas que no tengan borde o latas con esquinas anguladas.
- Ocasionalmente, latas con muchas abolladuras causaran que el abrelatas se detenga. Si esto sucede, agarre la lata con abolladuras y guíela manualmente hacia la acción de cortado hasta que se haya pasado las áreas dañadas.
- Para abrir una lata que se ha atorado, levante la palanca del abrelatas y libere la lata. Reinicie la acción de cortado nuevamente en un lado nuevo del borde de la lata.

## Afilando cuchillos

No intente afilar cuchillos con bordes cóncavos o aquellos con bordes dentados. Siempre use práctica de seguridad cuando use o afile un cuchillo. Mantenga las manos lejos de la cuchilla cortante.

- 1 Asegúrese de que el cuchillo este limpio y libre de grasa
- 2 Coloque la base del cuchillo en la apertura del afilador ubicada en la parte de atrás del abrelatas.
- 3 Jale ligeramente el cuchillo hacia usted, aplicando cierta presión hacia abajo.
- 4 Repita este procedimiento cuatro o cinco veces para que el borde del cuchillo quede bien afilado.

## Abriendo botellas

- 1 El destapador de botellas en la parte frontal de la unidad destapará solamente tapas o chapas de botella de metal. No lo utilice para tapas que se desenroscan, tapas que se empujan, o latas con anillos de jalar.



- 2 Para destapar una botella, coloque la tapa debajo del "gancho" de metal en el destapador de botellas ubicado en la parte frontal de la unidad, debajo de la palanca.
- 3 Sostenga el abrelatas con una mano y jale hacia abajo con la otra mano para destapar la tapa.

**IMPORTANTE:** Asegúrese de que el "gancho" no este debajo del cuello de la botella o de lo contrario el vidrio podría quebrarse.

## **Característica de cordón retractable**

Este abrelatas tiene una característica única de almacenaje de cordón retractable que le permite almacenar fácilmente su cordón de manera organizada y fuera de vista. No use este producto si el cordón o enchufe está dañado.

- 1 Seleccione la cantidad deseada de cordón antes de enchufarlo en un tomacorriente. No use fuerza excesiva.
- 2 Sostenga el abrelatas con una mano y use la otra mano para agarrar el enchufe (si no agarra el enchufe este podría salir volando).
- 3 Para retractar el cordón, cuidadosamente use las hojas del enchufe para presionar el botón de retracción ubicado en la parte trasera de la unidad.
- 4 El carrete del cordón es compacto y le permite un enrollado de varias capas del cordón. En caso de que el cordón no quede completamente enrollado, jale cuidadosamente del cordón y encarrile de manera uniforme en el carrete.
- 5 En caso de que el cordón no se jale fácilmente, jálelo de manera firme.

**PRECAUCIÓN:** No permita que la característica de cordón retractable sea usada por niños debido a que el cordón podría causar lesiones.





## CUIDADO Y LIMPIEZA

### Limpiando su abrelatas automático

#### **DESENCHUFE EL ABRELATAS CUANDO NO ESTÉ EN USO Y ANTES DE LIMPIAR**

- Nunca sumerja el abrelatas, el cordón o el enchufe en agua o cualquier otro líquido.
- Para asegurar un saneamiento apropiado, todas las partes removibles en el abrelatas deben ser removidas y lavadas cuidadosamente en agua tibia jabonosa en intervalos regulares. Enjuague y seque completamente.
- Para limpiar la cavidad el motor, pásele un paño de tela húmedo.
- Limpie la rueda de tracción con un paño de tela húmedo.

**NOTA:** NO coloque ninguna de las partes de esta unidad en la lavadora de platos.

### **Ensamblaje removible de la hoja**

El ensamblaje de la hoja puede ser removido fácilmente para su limpieza y puede ser colocado de vuelta una vez limpio.

- 1 Para retirar la palanca del abrelatas de la unidad
  - a. Levante suavemente la palanca del abrelatas a la posición hacia arriban.
  - b. Sostenga el abrelatas con una mano mientras que jale suavemente con la otra mano la palanca del abrelatas para sacarla del frente de la unidad.





- 2 Para colocar la palanca del abrelatas de vuelta en la unidad
  - a. Sostenga la palanca del abrelatas en la posición vertical.
  - b. Inserte el eje en el orificio cerca de la rueda de tracción y empuje la palanca hasta adentro.
  - c. Rote la palanca del abrelatas en dirección de las manecillas del reloj hasta que quede en posición horizontal.

**NOTA:** Si la palanca está adecuadamente asegurada, no podrá ser removida del abrelatas cuando esté en posición horizontal

**SUGERENCIA:** El mecanismo de corte puede recolectar comida o papel de las etiquetas de las latas y debe ser lavado frecuentemente.

## **Mantenimiento**

El motor y los engranajes internos de su unidad de abrelatas están permanentemente lubricados en la fábrica por todo el tiempo de vida y no requieren mayor atención. La cuchilla de corte esta hecha de acero endurecido y le durará por años en circunstancia de uso normal. No intente afilar.





# Garantía Limitada de 1 Año

Sunbeam Products, Inc. operando bajo el nombre de Jarden Consumer Solutions, o en Canadá, Sunbeam Corporation (Canada) Limited operando bajo el nombre de Jarden Consumer Solutions, (en forma conjunta, "JCS"), garantiza que por un período de un año a partir de la fecha de compra, este producto estará libre de defectos de materiales y mano de obra. JCS, a su elección, reparará o reemplazará este producto o cualquier componente del mismo que presente defectos durante el período de garantía. El reemplazo se realizará por un producto o componente nuevo o reparado. Si el producto ya no estuviera disponible, se lo reemplazará por un producto similar de valor igual o superior. Ésta es su garantía exclusiva. No intente reparar o ajustar ninguna función eléctrica o mecánica de este producto. Al hacerlo eliminará ésta garantía.

La garantía es válida para el comprador minorista original a partir de la fecha de compra inicial y la misma no es transferible. Conserve el recibo de compra original. Para solicitar servicio en garantía se requiere presentar un recibo de compra. Los agentes y centros de servicio de JCS o las tiendas minoristas que venden productos de JCS no tienen derecho a alterar, modificar ni cambiar de ningún otro modo los términos y las condiciones de esta garantía.

Esta garantía no cubre el desgaste normal de las piezas ni los daños que se produzcan como resultado de uso negligente o mal uso del producto, uso de voltaje incorrecto o corriente inapropiada, uso contrario a las instrucciones operativas, y desarme, reparación o alteración por parte de un tercero ajeno a JCS o a un Centro de Servicio autorizado por JCS. Asimismo, la garantía no cubre actos fortuitos tales como incendios, inundaciones, huracanes y tornados.

## **¿Cuál es el límite de responsabilidad de JCS?**

JCS no será responsable de daños incidentales o emergentes causados por el incumplimiento de alguna garantía o condición expresa, implícita o legal.

Excepto en la medida en que lo prohíba la ley aplicable, cualquier garantía o condición implícita de comerciabilidad o aptitud para un fin determinado se limita, en cuanto a su duración, al plazo de la garantía antes mencionada.



JCS queda exenta de toda otra garantías, condiciones o manifestaciones, expresa, implícita, legal o de cualquier otra naturaleza.

JCS no será responsable de ningún tipo de daño que resulte de la compra, uso o mal uso del producto, o por la imposibilidad de usar el producto, incluidos los daños incidentales, especiales, emergentes o similares, o la pérdida de ganancias, ni de ningún incumplimiento contractual, sea de una obligación esencial o de otra naturaleza, ni de ningún reclamo iniciado contra el comprador por un tercero.

Algunas provincias, estados o jurisdicciones no permiten la exclusión o limitación de los daños incidentales o emergentes ni las limitaciones a la duración de las garantías implícitas, de modo que es posible que la exclusión o las limitaciones antes mencionadas no se apliquen en su caso.

Esta garantía le otorga derechos legales específicos y es posible que usted tenga otros derechos que varían de un estado, provincia o jurisdicción a otro.

### **Cómo solicitar el servicio en garantía**

#### **En los Estados Unidos.**

Si tiene alguna pregunta sobre esta garantía o desea recibir servicio de garantía, llame al 1-800-334-0759 y podrá obtener la dirección del centro de servicio que le resulte más conveniente

#### **En Canadá**

Si tiene alguna pregunta sobre esta garantía o desea recibir servicio de garantía, llame al 1-800-334-0759 y podrá obtener la dirección del centro de servicio que le resulte más conveniente

En los Estados Unidos, esta garantía es ofrecida por Sunbeam Products, Inc. operando bajo el nombre de Jarden Consumer Solutions, Boca Ratón, Florida 33431. En Canadá, esta garantía es ofrecida por Sunbeam Corporation (Canada) Limited operando bajo el nombre de Jarden Consumer Solutions, 20 B Hereford Street, Brampton, Ontario L6Y 0M1. Si usted tiene otro problema o reclamo en conexión con este producto, por favor escriba al Departamento de Servicio al Consumidor.

**POR FAVOR NO DEVUELVA ESTE PRODUCTO A NINGUNA DE ESTAS DIRECCIONES NI AL LUGAR DE COMPRA**





For product questions contact:

Sunbeam Consumer Service

USA : 1.800.334.0759

Canada : 1.800.667.8623

[www.oster.com](http://www.oster.com)

©2009 Sunbeam Products, Inc. doing business as

Jarden Consumer Solutions. All rights reserved.

Distributed by Sunbeam Products, Inc. doing business as

Jarden Consumer Solutions, Boca Raton, Florida 33431.

Para preguntas sobre los productos llame:

Sunbeam Consumer Service

EE.UU.: 1.800.334.0759

Canadá : 1.800.667.8623

[www.oster.com](http://www.oster.com)

©2009 Sunbeam Products, Inc. operando bajo el nombre de

Jarden Consumer Solutions. Todos los derechos reservados.

Distribuido por Sunbeam Products, Inc. operando bajo el

nombre de Jarden Consumer Solutions, Boca Raton, Florida 33431.

SPR-052209

P.N. 133775

Printed in China

Impreso en China

## Free Manuals Download Website

<http://myh66.com>

<http://usermanuals.us>

<http://www.somanuals.com>

<http://www.4manuals.cc>

<http://www.manual-lib.com>

<http://www.404manual.com>

<http://www.luxmanual.com>

<http://aubethermostatmanual.com>

Golf course search by state

<http://golfingnear.com>

Email search by domain

<http://emailbydomain.com>

Auto manuals search

<http://auto.somanuals.com>

TV manuals search

<http://tv.somanuals.com>