

Oster®



MODELS/MODELOS 3262, 3263, 3264 & 3265
MODELES/MODELOS

Instruction Booklet
12 CUP COFFEE MAKER

Manuel d'Instructions
CAFETIERE DE 2.9 LITRES

Manual de Instrucciones
CAFETERA DE 2.9 LITROS

Manual de Instruções
CAFETEIRA ELÉTRICA PARA 2,9 LITROS

IMPORTANT SAFEGUARDS

When using electrical appliances, to reduce the risk of fire, electric shock, and/or injury to persons, basic safety precautions should always be followed, including the following:

- Read all instructions carefully.
- Do not touch hot surfaces. Use handles or knobs.
- To protect against electric shock, do not place cord, plug or coffee maker in water or other liquid.
- Close supervision is necessary when any appliance is used by or near children.
- Unplug from outlet when not in use and before cleaning. Allow to cool before putting on or taking off parts, and before cleaning the appliance.
- Do not operate any appliance with a damaged cord or plug or after the appliance malfunctions or has been damaged in any manner. Return appliance to an authorized service facility for examination, repair or adjustment.
- The use of accessory attachments not recommended by Oster® may cause injuries.
- Do not use outdoors.
- Do not let cord hang over edge of table or counter, or touch hot surfaces.
- Do not place on or near hot gas or electric burner, or in a heated oven.
- Always plug cord into the wall outlet before turning on any controls. To disconnect, turn power control to OFF, then remove plug from wall outlet.

- Always use cold water to make coffee. Warm water or other liquids could cause damage to the coffee maker.
- Scalding may occur if the cover is lifted or removed during the brewing cycle.
- Do not use this appliance for other than intended use.

WARNING - To avoid breakage of, or injury from glass carafe, follow these precautions:

- Do not set a hot carafe on a wet or cold surface.
- Do not place hot carafe on or near paper, cloth or other flammable material.
- This carafe is designed for use with this coffee maker only.
- Never use the carafe on a range top or in a conventional microwave oven.
- Do not allow liquid to evaporate from carafe. Do not heat carafe when empty.
- Do not move entire unit when carafe contains hot liquid.
- Use the lid on the glass carafe while brewing and pouring coffee.
- Discard carafe if damaged in any manner, or a carafe having a loose or weakened handle. A chip or crack could result in breakage or contaminate liquid contents with glass particles.
- Do not clean carafe with scouring powders, steel wool pads or other abrasive materials.

SAVE THESE INSTRUCTIONS

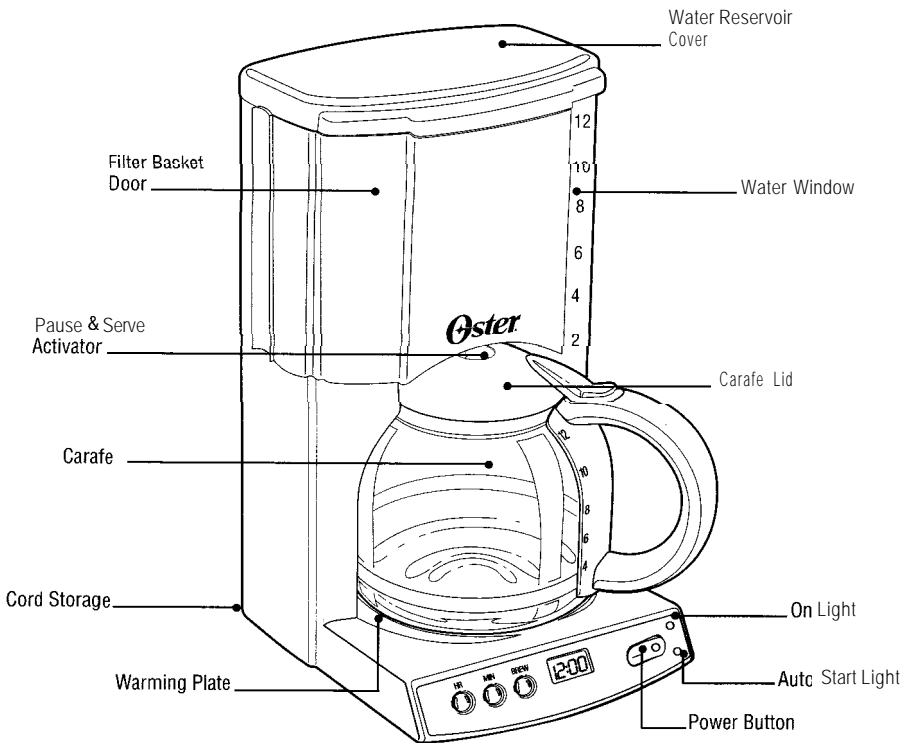
No User Maintenance. Return to Service Station.
This Unit for Household Use Only

SAFETY FEATURES

- A short power supply cord is provided to reduce the hazards resulting from entanglement or tripping over a longer cord.
- An extension cord may be used if care is exercised in its use.
- If an extension cord is used, the marked electrical rating of the extension cord should be at least as great as the electrical rating of the appliance. The extension cord should be arranged so that it does not drape over the counter or table-top where it can be pulled on by children or tripped over accidentally. The electrical rating of the coffee maker is listed on the bottom panel of the unit.
- This appliance has a polarized alternating current plug (one blade is wider than the other). To reduce the risk of electric shock, as a safety feature, this plug will fit in a polarized outlet only one way. If the plug does not insert fully in the outlet, reverse the plug. If it still fails to fit, contact a qualified electrician to replace the obsolete outlet.

DO NOT ATTEMPT TO DEFEAT THIS SAFETY FEATURE.

COFFEE MAKER FEATURES



FEATURES

- **P-Hour Automatic Shut-Off**

For safety, the Oster® coffee maker has been designed with an auto shut-off feature. The coffee maker shuts off automatically 2 hours after brewing cycle is complete, in both the regular and auto-start modes. To restart simply press the Power Button until On Light illuminates,

- **Pause & Serve**

Allows you to interrupt the brewing cycle and pour a cup of coffee before the entire carafe is finished brewing. To restart the brewing process, return carafe to warming plate and coffee will automatically begin flowing through filter basket. Make sure carafe is placed all the way on the warming plate.

CAUTION: DO NOT REMOVE CARAFE FOR LONGER THAN 30 SECONDS OR THE FILTER BASKET MAY OVERFLOW.

- **Clock/Timer Digital Display**

The 24-hour digital clock built into the face of the coffee maker will keep the correct time, even after the unit has been shut off. Timer can be programmed up to 24 hours in advance to automatically start brewing fresh, hot coffee.

- **Water Window**

Large easy-to-read numbers indicate how many cups of water have been poured into the coffee maker.

- **On Light**

On Light lets you know when the coffee maker is on for safe operation.

- **Flavor Seal**

Carafe lip and lid seal to help preserve the coffee's natural flavor and temperature by preventing excessive evaporation.

- **Easy Pour Carafe**

Uniquely designed carafe with all-around lip and traditional pour spout allows you to conveniently pour from any side. Easy to grip handle for added comfort. Cup markings on each side of the handle make it easier to measure the water level when filling the carafe.

- **Non-Stick Warming Plate**

Makes clean-up easy.

- **Cord Storage**

Hidden cord storage allows you to hide excess cord for neat appearance.

- **Swing Away Basket**

Filter door swings for convenient filling.

- **Black Lined Cone Filter Basket**

Cone-shaped filter basket enriches flavor and prevents bitter taste. Black lining helps to hide stains. A standard #4 cone-shaped filter must be used.

HOW TO USE YOUR OSTER® COFFEE MAKER

PREPARING YOUR COFFEE MAKER FOR USE

- Carefully unpack the coffee maker and remove all packaging materials
- Before making coffee in your new Oster® coffee maker, thoroughly clean the carafe, carafe lid and filter basket with warm, soapy water. Rinse and dry. Do not use harsh or abrasive cleaners.
- You may wipe the warming plate with a clean, damp cloth. However, do not immerse the coffee maker in water or other liquid.
- Prior to brewing your first pot of coffee, operate coffee maker once or twice with water but without ground coffee or a paper filter. This will remove any dust that may have settled inside the coffee maker which might affect the flavor of coffee.

IMPORTANT: Use cold water for best results.

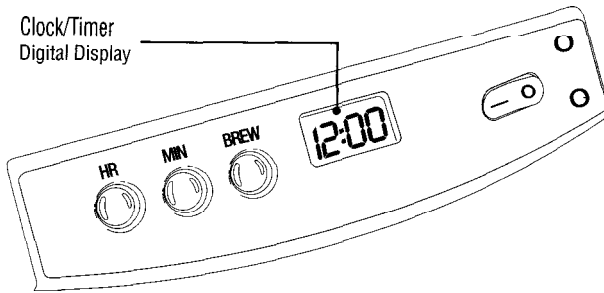
USING YOUR COFFEE MAKER'S CONTROLS

- **Clock/Timer Digital Display** – Clock with AM/PM indicator.
- **Hour Advance** -This button advances the hour display for the clock and timer. See the section on “How to set the Clock” for proper use.
- **Minute Advance** -This button advances the minute display for the clock and timer. See the section on “How to set the Clock” for proper use.
- **Brew Preset** – This button allows you to program the coffee maker up to 24 hours before the desired brewing time. See the section on “Delaying the Brewing Cycle” for proper use.
- **On Light-This** button indicates that power is going to the coffee maker, and the coffee maker is in normal operating stage.
- **Auto Start Light** -This button indicates the coffee maker is in delayed brewing cycle stage, awaiting preset brew time.
- **Power Button** -This button controls three power modes: ON/OFF/AUTO. The OFF mode does not have a light indicator.

HOW TO SET THE CLOCK

To set the correct time of day, first press the Hour Advance Button until the correct hour has been reached. Then, press the Minute Advance Button until the correct minutes have been reached. Use the AM/PM indicator on the left side of the digital read-out when setting the time.

NOTE: Unplugging the unit will reset the clock to 12:00.



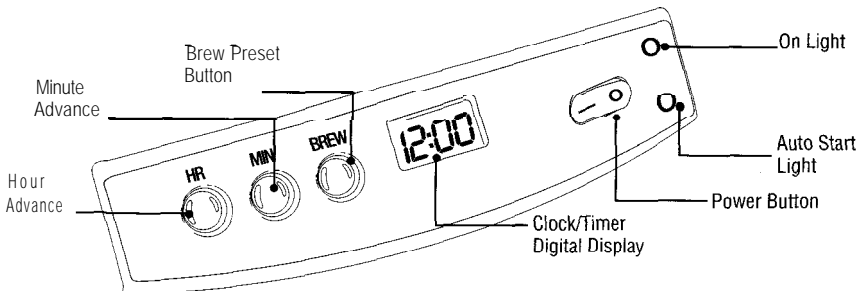
DELAYING THE BREWING CYCLE

To preset your coffee maker to brew at a later time first verify that the clock is set to the correct time. See section on "How to Set the Clock".

Press and hold the Brew Preset Button. While continuing to hold the Brew Preset Button, press the Hour Advance Button until the desired brew time hour is reached. Then press the Minute Advance Button until the desired minute has been reached. The AM and PM indicators are on the left side of the digital clock readout. Release the Brew Preset Button.

Press the Power Select Button once. The Auto Start Light will illuminate, indicating that the coffee maker is waiting for the preset brew time to be reached before it will begin the brewing cycle.

Note: If the Power Select Button is pressed before the Brew Preset Button, delaying the brewing cycle feature will not activate.



PREPARING COFFEE MAKER FOR BREWING COFFEE

- Place your Oster® coffee maker on a flat, level surface away from any edge.
- Plug the unit into a 120 volt 60Hz AC only outlet.
- The lid of the glass carafe must be placed properly onto the carafe during the brewing process and the carafe must be set on the warming plate.
- The filter basket door must be properly closed during brewing process.

CAUTION: If the filter basket door is not completely closed, the Pause & Serve feature will not function properly. It could cause hot water or hot coffee to overflow.

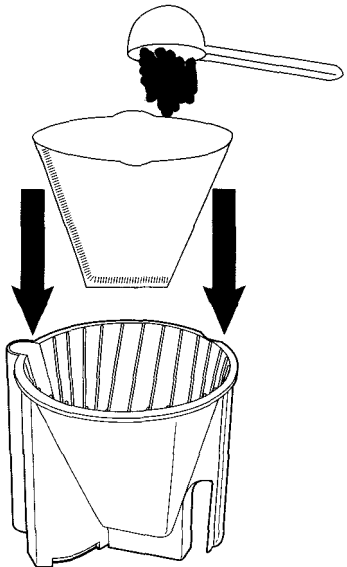
FILLING THE WATER RESERVOIR

- Open the hinged water reservoir cover located at the top of the coffee maker. Fill the glass carafe with the desired amount of cold water. Empty the water from the carafe into the water reservoir. The water window indicates how much water is in the container. Close the hinged lid. Place the glass carafe with the lid in place on the warming plate.

NOTE: The amount of brewed coffee after the brewing process will always be slightly less than the amount of water placed into the coffee maker, since some water is absorbed by the coffee grounds and filter. Add a little extra water at the beginning so that you have the exact number of cups desired.

PUTTING IN THE COFFEE

- Swing the filter basket door outward to your right. Lift out the removable filter basket. Insert a #4 cone-shaped filter into the filter basket.
- A permanent filter may be used instead of or in addition to the paper filter. Fill the permanent filter with the required amount of coffee. After brewing cycle, empty the grounds and rinse thoroughly with water.
- Place the desired amount of ground coffee into the filter. According to coffee industry standards, use one standard coffee measure (2 level tablespoons) of grounds for each six ounces of water. After using your coffee maker several times, the amount of coffee may be adjusted to suit your particular taste, by decreasing or increasing the amount of coffee used.



NOTE: Be sure to use coffee grounds prepared specifically for automatic drip coffee makers.

- Return the filter basket with the filled filter to the door. Be sure the filter basket is seated properly in the door. Swing the door closed and snap into place.

CAUTION: Do not operate your coffee maker if the door does not close completely. If the door does not close completely, check to see that the filter basket is properly sealed, and snap door into place.

- Press the Power Select Button. Auto Start Light will go on. Press the Power Button again, then the ON Light will go on indicating that the coffee maker has begun the brewing cycle. In a few minutes the coffee maker will complete the brewing cycle and switch over to the warming mode which will keep the coffee hot for two hours.
- Press the Power Select Button to OFF when the carafe is empty or when the coffee maker is not in use.

HINTS FOR GREAT TASTING COFFEE

- A clean coffee maker is essential for making great tasting coffee. Regular cleaning, as specified in "Cleaning Your Coffee Maker," is highly recommended.
- Always use fresh, cold water in your coffee maker.
- Fine grind coffee promotes fuller extraction and provides rich, full-tasting coffee. Regular grind will require slightly more coffee per cup to provide the strength of a finer grind.
- Store coffee in a cool, dry place. Once coffee has been opened, keep it tightly sealed in the refrigerator to maintain freshness.
- For optimum coffee, buy whole beans and grind them finely just before brewing.
- Do not re-use coffee grounds since this will greatly impair coffee flavor.
- Reheating coffee is not recommended. Coffee is at its peak flavor immediately after brewing.
- Small oil droplets on the surface of brewed black coffee is due to the extraction of oil from the coffee grounds. Oiliness may occur more frequently if heavily roasted coffees are used. Over-extraction may also cause oiliness, indicating a need to clean your coffee maker.

RECOMMENDED AMOUNT OF COFFEE

Number of Cups	Ground Coffee
2	2 Tbs. – 4 Tbs. (1-2 scoops)
4	4 Tbs. – 8 Tbs. (2-4 scoops)
6	6 Tbs. – 12 Tbs. (3-6 scoops)
8	8 Tbs. – 16 Tbs. (4-8 scoops)
10	10 Tbs. – 20 Tbs. (5-10 scoops)
12	12 Tbs. – 24 Tbs. (6-12 scoops)

CLEANING YOUR COFFEE MAKER

CAUTION: Always make sure coffee maker is unplugged and warming plate is cool before attempting to clean. To protect against electric shock, do not immerse cord, plug or unit in water or other liquid.

- The outside of your coffee maker can be cleaned by wiping the surface with a damp, soft cloth.

IMPORTANT: Never immerse the coffee maker in water or other liquid.

- Glass carafe, carafe lid and removable filter basket may be washed with warm, soapy water, or placed in the top rack of the dishwasher. Do not place any other parts of the coffee maker in the dishwasher.
- Do not clean the inside of the water reservoir with a cloth as the cloth may have a lint residue that could clog the coffee maker.
- For stubborn stains, use a nylon or plastic pad with a non-abrasive cleanser. Do not use metal scouring pads or abrasive cleansers.
- Calcium deposits may build up in the coffee maker as a result of minerals commonly found in drinking water. The build-up is normal and may result in a slow-down of the coffee maker's brewing time. The slow-down can be eliminated by periodically decalcifying the coffee maker.
- To decalcify, fill the carafe with cold water and two tablespoons of white vinegar. Pour the solution into the water reservoir, then close the lid. Place the carafe on the warming plate and allow the coffee maker to brew the vinegar solution. While decalcifying, do not use a filter in the filter basket. When the vinegar solution has finished brewing, empty the carafe and rinse it out with cold water. Refill the water reservoir with cold water only and run another brew cycle to remove any remaining vinegar solution. Repeat if necessary.

TROUBLE- SHOOTINGTHECOFFEEMAKER

Potential Problems

Probable Cause

ON LIGHT DOESN'T ILLUMINATE

- Unplugged
- Power outage

COFFEE IS NOT BREWING

- Unplugged
- Power outage
- The water reservoir is empty; check water window
- The filter basket door is not properly closed
- Carafe is not placed all the way on the warming plate

COFFEEMAKER ONLY BREWS WATER

- No grounds in filter basket

COFFEEMAKER BREWS SLOWLY

- Coffee maker needs decalcifying

FILTER BASKET OVERFLOWS

- The filter basket door is not properly closed
- Carafe is not placed all the way on the warming plate
- Carafe was removed from warming plate longer than 30 seconds

BURNING COFFEE SMELL

- Empty carafe was left on hot warming plate
- Coffee was spilled on a warming plate

COFFEE IS NOT HOT

- Power outage
- 2-hour automatic shut-off was activated

COFFEE TASTES BAD

- Coffee grounds other than for automatic drip coffee maker were used
- Grounds-to-water ratio was unbalanced

QUESTIONS? You can call toll-free at 1-800-986-0008

1 YEAR LIMITED WARRANTY

Sunbeam Products Inc. warrants that, for a period of one year from date of purchase, this product shall be free of mechanical and electrical defects in material and workmanship. Our obligation hereunder is limited to repair or replacement, at manufacturer's option, of this product during the warranty period, provided that the product(s) purchased in the United States are sent postage prepaid directly to:

SUNBEAM APPLIANCE SERVICE STATION
117 Central Industrial Row
Purvis, MS 39475

Answers to questions regarding this warranty or your nearest U.S.A. authorized service location may be obtained by calling toll free 1-800-597-5978 or by writing to Sunbeam Consumer Affairs at PO. Box 948389, Maitland, Florida 32794-8389.

For products purchased in Canada please return them, postage prepaid, directly to:

SUNBEAM APPLIANCE SERVICE STATION (KND)
Please call 1-800-667-8623 or email us at
consumeraffairs@consumer.sunbeam.com

Answers to questions regarding this warranty or your nearest Canadian authorized service location may be obtained by calling toll free in Canada 1-800-667-8623.

for warranty information or an authorized service location outside of the United States and Canada please see the warranty service card inserted in the product packaging.

DO NOT RETURN THIS PRODUCT TO THE
PLACE OF PURCHASE; DOING SO MAY DELAY THE
PROCESSING OF YOUR WARRANTY CLAIM.

This warranty does not cover normal wear of parts or damage resulting from any of the following: negligent use or misuse of the product, use on improper voltage or current, use contrary to operating instructions, or disassembly, repair or alteration by any person other than authorized by the service center. Product repair or replacement as provided under this warranty is your exclusive remedy. Sunbeam Products Inc. shall not be liable for any incidental or consequential damages for breach of any expressed or implied warranty on this product. Except to the extent prohibited by applicable law, any implied warranty of merchantability or fitness for a particular purpose on this product is limited in duration to the duration of the above warranty. Some states and provinces do not allow the exclusion or limitation of incidental or consequential damages, or allow limitation on how long an implied warranty lasts, so the above limitations or exclusion may not apply to you. This warranty gives you specific legal rights, and you may also have other rights which vary state to state or province to province.

PRÉCAUTIONS IMPORTANTES

Lors de l'utilisation d'appareils électriques, pour réduire le risque d'incendie, électrocution et/ou blessures personnelles, toujours prendre les précautions nécessaires, incluant celles qui suivent:

- Lisez toutes les directives attentivement.
- Éviter de toucher les surfaces chaudes. Utiliser les manivelles ou les interrupteurs.
- Pour vous protéger des risques d'électrocution, ne plongez jamais le cordon, ou la cafetière dans l'eau ou tout autre liquide.
- Faites particulièrement attention lorsque l'appareil est utilisé par, ou en présence d'enfants.
- Débrancher l'appareil lorsqu'il n'est pas utilisé, laissez refroidir avant d'y placer ou y retirer des pièces et avant de le nettoyer.
- Ne pas faire fonctionner un appareil dont le fil ou la fiche est endommagé ou après que l'appareil ait mal fonctionné, qu'il ait été échappé ou endommagé d'une façon quelconque. Retourner l'appareil au centre de service autorisé pour fin de vérification ou réparation.
- L'utilisation d'accessoires non recommandés par Oster® peut causer des blessures.
- Ne pas l'utiliser à l'extérieur.
- Ne pas laisser le fil pendre de la table ou d'un comptoir et éviter qu'il touche à une surface chaude.
- Ne pas placer sur ou près d'un poêle chaud ou dans un four chaud.
- Branchez toujours le cordon dans la prise murale avant de mettre toute commande sous tension. Pour débrancher, mettez le commutateur de marche-arrêt hors tension (à la position OFF), puis retirez la fiche de la prise murale.
- Préparez toujours le café à partir d'eau froide. L'eau chaude et les autres liquides peuvent endommager la cafetière.
- L'échaudage peut se produire si le couvercle est enlevé durant l'infusion.
- Ne pas utiliser la cafetière autre que pour son utilisation intentionnelle.

AVERTISSEMENT - Afin d'éviter tout bris de la carafe en verre et ainsi tout risque de blessure, prenez les précautions suivantes:

- Ne déposez jamais une carafe chaude sur une surface froide ou mouillée.
- Tenez toujours une carafe chaude éloignée du papier, du tissu et d'autres matériels inflammables.
- Cette carafe est conçue pour être utilisée exclusivement avec cette cafetière.
- N'utilisez jamais la carafe sur le dessus d'une cuisinière ou dans un four micro-ondes ordinaire.
- Évitez de laisser le liquide s'évaporer de la carafe. Ne faites jamais chauffer une carafe vide.
- Évitez de déplacer l'appareil complet pendant que la carafe contient du liquide chaud.
- Gardez le couvercle sur la carafe en verre lorsque vous préparez ou versez du café.
- Mettez au rebut une carafe endommagée d'une quelconque façon ou dont la poignée est affaiblie ou branlante. Un éclat, une écaillage, une fente ou une fissure peut produire un bris ou contaminer le contenu de particules de verre.
- Ne pas nettoyer la carafe avec des recurants abrasifs.

CONSERVEZ CES INSTRUCTIONS

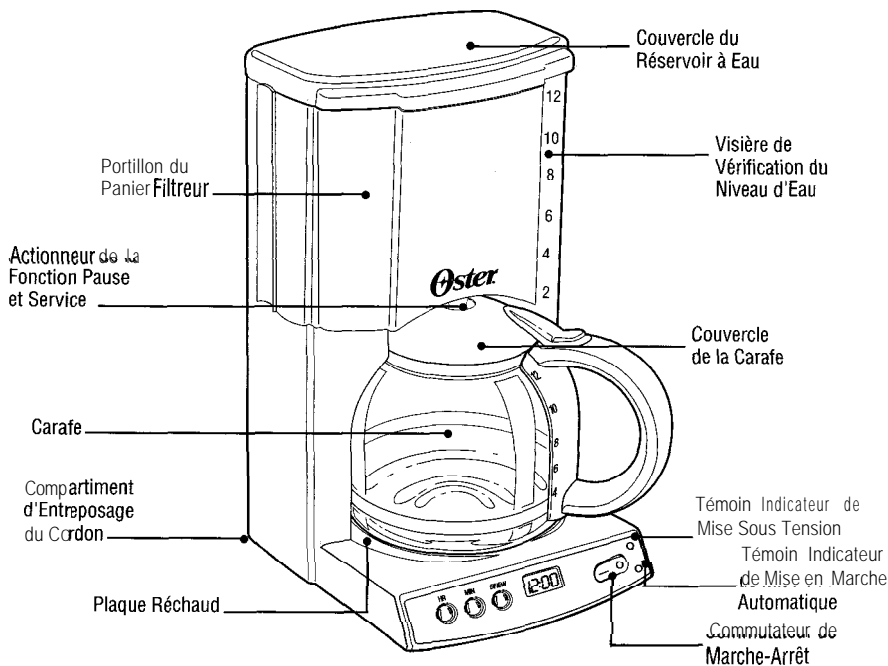
**Aucun Entretien Nécessaire de la Part de l'Utilisateur. Retournez à l'Atelier de Service.
Pour Usage Domestique Seulement**

MESURES DE SÉCURITÉ

- L'appareil est livré avec un cordon d'alimentation court pour réduire les risques d'enchevêtrement ou de trébuchement accidentel.
- Si nécessaire, utiliser une rallonge électrique, en faisant preuve de précaution.
- La capacité électrique nominale de la rallonge devra être au minimum égale à la puissance électrique nominale de l'appareil. Placer le cordon d'alimentation de manière à ce qu'il ne pende pas du comptoir ou de la table, où il pourrait être accessible aux enfants ou provoquer un trébuchement par inadvertance. Les valeurs électriques nominales de la cafetière figurent sur le panneau inférieur de l'appareil.
- Cet appareil est doté d'une fiche polarisée (une broche est plus large que l'autre). Pour réduire le risque de choc électrique, cette fiche ne va que dans un sens seulement sur une prise de courant polarisée. Si la fiche ne s'enfonce pas complètement dans la prise, la retourne et essayer de nouveau. Si elle ne s'adapte toujours pas à fond, consulter un électricien qualifié.

VEILLEZ. À. RESPECTER. LES. MESURES. DE. SÉCURITÉ. DE. LA. PRISE. POLARISÉE.

CARACTÉRISTIQUES DE LA CAFETIÈRE



CARACTÉRISTIQUES

- **Mise à l'Arrêt Automatique Z-Heures**

Pour des raisons de sécurité, la cafetière Oster® intègre une mise à l'arrêt automatique. Son fonctionnement s'arrête automatiquement 2-heures après la fin du cycle de préparation, tant en mode ordinaire qu'en mode de mise en marche automatique. Pour relancer le cycle, appuyez sur le commutateur de marche-arrêt jusqu'à ce que s'allume le témoin indicateur de mise sous tension.

- **Fonction Pause et Service**

Cette fonction vous permet d'interrompre le cycle de préparation et de verser une tasse de café avant que se termine la préparation du contenu entier de la carafe. Pour relancer le cycle de préparation, redéposez la carafe sur la plaque réchaud, et le café se remettra automatiquement à couler au travers du panier filtreur. Assurez-vous de poser la carafe au complet sur la plaque réchaud.

ATTENTION: NE RETIREZ PAS LA CARAFE PLUS DE 30 SECONDES, SINON LE PANIER FILTREUR POURRA DÉBORDER.

- **Horloge-minuterie à Affichage Numérique**

L'horloge 24-heures intégrée sur le devant de la cafetière tiendra le temps avec précision, et ce, même après la mise à l'arrêt de l'appareil. On peut programmer la minuterie jusqu'à 24-heures à l'avance pour mettre en marche la préparation toute fraîche de café chaud.

- **Visière de Vérification du Niveau d'Eau**

Des chiffres de grande dimension faciles à lire indiquent le nombre de tasses de café qu'on a versées dans la cafetière.

- **Témoin Indicateur de Mise Sous Tension**

Le témoin indicateur de mise sous tension vous signale que la cafetière est en marche, pour assurer un fonctionnement sécuritaire.

- **Garde-saveur Étanche**

L'étanchéité du bec verseur et du couvercle de la cafetière préserve la saveur et la température naturelles du café en prévenant une évaporation excessive.

- **Carafe Verseuse Intégrale**

La carafe de conception unique avec pourtour verseur universel en plus du bec verseur classique vous permet de verser commodément de tous les côtés. Une poignée facile à agripper assure un maniement tout confort. Les marques de graduation de tasses de chaque côté de la poignée facilite la mesure du niveau d'eau durant le remplissage de la carafe.

- **Plaque Réchaud Anticollante**

Facilite le nettoyage.

- **Compartiment d'Entreposage du Cordon**

Le compartiment dissimulé pour l'entreposage du cordon vous permet de cacher la longueur superflue de cordon pour assurer une apparence soignée.

- **Panier Articulé à Battant**

Le portillon du panier filtreur se déplace de côté pour faciliter le remplissage.

- **Panier Filtreur Conique à Garniture Noire**

Le panier filtreur de forme conique enrichit la saveur et prévient le goût âpre. La garniture noire aide à dissimuler les taches. Il faut utiliser un filtre conique N° 4 normal.

MODE D'EMPLOI DE VOTRE CAFETIÈRE OSTER

PRÉPARATION DE VOTRE CAFETIÈRE EN VUE DE SON UTILISATION

- Déballiez soigneusement la cafetière et enlevez tous matériaux de conditionnement.
- Avant de préparer du café dans votre nouvelle cafetière Oster®, nettoyez la carafe, son couvercle et le panier filtreur à fond avec de l'eau chaude savonneuse. Rincez et asséchez le tout. N'utilisez aucun nettoyeur fort ou abrasif.
- Vous pouvez essuyer la plaque réchaud à l'aide d'un chiffon propre et humide. Cependant, évitez d'immerger la cafetière dans de l'eau ou tout autre liquide.
- Avant de préparer votre première carafe de café, faites fonctionner la cafetière une ou deux fois avec de l'eau mais sans café moulu ni filtre à papier. Cela évacuera toute poussière ou saleté qui ait pu s'infiltrer ou même s'accumuler dans la cafetière et qui pourrait altérer le goût du café.

IMPORTANT: Utilisez de l'eau froide pour obtenir de meilleurs résultats.

UTILISATION DES COMMANDES DE VOTRE CAFETIÈRE

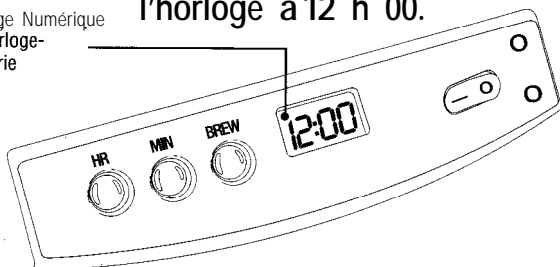
- **Horloge-minuterie à Affichage Numérique** – Horloge avec indicateur AM/PM.
- **Avancement de l'Heure** – Ce bouton fait avancer l'affichage de l'heure de l'horloge et de la minuterie. Consultez la section «Comment régler l'horloge» en vue de son utilisation adéquate.
- **Avancement des Minutes** – Ce bouton fait avancer l'affichage des minutes de l'horloge et de la minuterie. Consultez la section «Comment régler l'horloge» en vue de son utilisation adéquate.
- **Préréglage de la Préparation** – Ce bouton vous permet de programmer la cafetière jusqu'à 24 heures avant le moment de la mise en marche du cycle de préparation. Consultez la section «Retardement du cycle de préparation», en vue de son utilisation adéquate.
- **Témoin Indicateur de Mise Sous Tension** – Ce bouton signale que la cafetière est sous tension et en fonctionnement normal.
- **Témoin Indicateur de Mise en Marche Automatique** – Ce bouton signale que la cafetière passe actuellement par son retardement du cycle de préparation et attend le moment préréglé de mise en marche de la préparation.
- **Commutateur de Marche-Arrêt** – Ce bouton commande les trois modes de fonctionnement: sous tension, hors tension, et automatique. Le mode hors tension ne correspond à aucun témoin indicateur.

COMMENT RÉGLER L'HORLOGE

Pour régler l'horloge à l'heure précise, appuyez d'abord sur le bouton d'avancement de l'heure (HR) jusqu'à ce que vous atteigniez l'heure correcte. Ensuite, appuyez sur le bouton d'avancement des minutes (MIN) jusqu'à ce que vous atteigniez le nombre de minutes correct. Servez-vous de l'indicateur AM/PM du côté gauche de l'affichage numérique lorsque vous réglez l'heure.

NOTA: Le débranchement de l'appareil réinitialisera l'horloge à 12 h 00.

Affichage Numérique de l'Horloge-minuterie



RETARDEMENT DU CYCLE DE PRÉPARATION

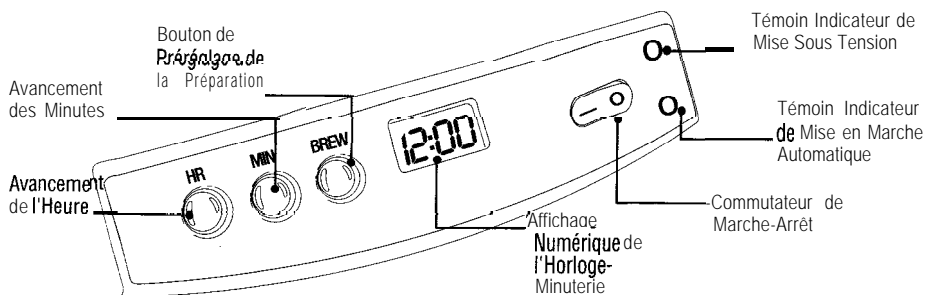
Pour préregler votre cafetière afin qu'elle prépare le café à un moment ultérieur, assurez-vous d'abord que l'horloge affiche l'heure correcte. Consultez la section "Comment Régler l'Horloge" pour obtenir de plus amples détails,

Appuyez sur le Bouton de Préreglage de la Préparation (BREW) et gardez-le enfoncé.

Pendant ce temps, appuyez sur le Bouton d'Avancement de l'Heure jusqu'à ce que vous atteigniez l'heure de début de préparation désirée. Ensuite, appuyez sur le Bouton d'Avancement des Minutes jusqu'à ce que vous atteigniez la minute de début de préparation désirée. Les indicateurs AM et PM se trouvent du côté gauche de l'affichage numérique de l'horloge. Relâchez le Bouton de Préreglage de la Préparation.

Appuyez une fois sur le Commutateur de Marche-arrêt. Le Témoin Indicateur de Mise en Marche Automatique s'allumera pour signaler que la cafetière attend jusqu'à ce qu'elle atteigne l'heure exacte préreglée de début de la préparation avant de mettre en marche le cycle de préparation.

Nota: Si on appuie sur le Commutateur de Marche-arrêt avant le Bouton de Préreglage de la Préparation, la fonction de retardement du cycle de préparation ne s'actionnera pas.



PRÉPARATION DE LA CAFETIÈRE POUR PRÉPARER LE CAFÉ

- Poussez votre cafetière Oster® sur une surface plane de niveau en l'éloignant des rebords.
- Branchez l'appareil à une prise murale de c.a. 120 volts 60 Hz seulement.
- Durant le processus de préparation, le couvercle de la carafe de verre doit absolument reposer convenablement sur la carafe, et celle-ci sur la plaque réchaud.
- Le portillon du panier filtreur doit absolument rester convenablement fermé durant le processus de préparation.

ATTENTION: Si le portillon du panier filtreur n'est pas complètement fermé, le dispositif Pause et Service ne fonctionnera pas adéquatement. Cela peut provoquer le débordement d'eau ou de café bouillants.

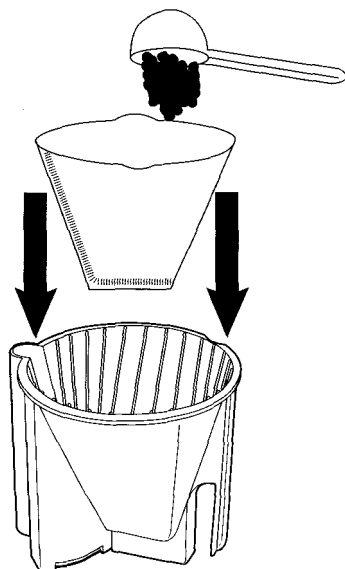
REPLISSAGE DU RÉSERVOIR ☉ EAU

- Ouvrez le couvercle du réservoir à eau à battant, situé sur le dessus de la cafetière. Remplissez la carafe en verre de la quantité désirée d'eau froide et vider celle-ci dans le réservoir à eau. La visière de vérification du niveau d'eau indique la quantité d'eau présente dans le conteneur. Refermez le couvercle à battant. Posez la carafe en verre avec le couvercle en place sur la plaque réchaud.

NOTA: La quantité de café produit par le processus de préparation sera toujours légèrement inférieure à celle d'eau qu'on aura versée dans le réservoir, puisque le café moulu et le filtre absorbent toujours un peu d'eau. Ajoutez un peu d'eau supplémentaire au début de façon à obtenir le nombre exact de tasses désiré.

AJOUT DU CAFÉ

- Déplacez le portillon du panier filtreur vers l'extérieur à droite. Levez et retirez le panier filtreur amovible. Insérez un filtre conique No 4 dans le panier filtreur.
- Vous pouvez utiliser un filtre permanent au lieu ou en plus du filtre à papier. Remplissez le filtre permanent de la quantité requise de café. Une fois le cycle de préparation terminé, jetez le café moulu et rincez à fond à l'eau courante.
- Placez la quantité désirée de café moulu dans le filtre. Selon les normes de l'industrie du café, utilisez une mesure normale de café (deux cuillers à table rases) de café moulu par 186 g (6 oz) d'eau. Une fois que vous aurez utilisé votre cafetière plusieurs fois, vous pouvez régler la quantité de café à votre goût individuel en augmentant ou en diminuant la quantité de café ajouté.



NOTA: Veillez à utiliser du café moulu expressément préparé pour les cafetières automatiques à égouttement.

- Retournez le panier filtreur avec le filtre rempli au portillon. Assurez-vous de bien appuyer le panier filtreur dans le portillon. Refermez le portillon et encliquez en place.

ATTENTION: Ne faites pas fonctionner la cafetière si le portillon ne se ferme pas complètement. Dans un tel cas, assurez-vous de bien appuyer le panier filtreur et encliquez le portillon en place.

- Appuyez sur le commutateur de marche-arrêt. Le témoin indicateur de mise sous tension s'allumera pour signaler que la cafetière a lancé le processus de préparation. Dans quelques minutes, elle terminera le cycle de préparation et passera en mode réchaud afin de garder le café chaud durant deux heures.
- Mettez le commutateur de marche-arrêt hors tension (OFF) lorsque la carafe est vide ou lorsque vous ne vous servez pas de la cafetière.

TRUCS POUR UN CAFÉ SUCCULENT

- Une cafetière propre est essentielle à un café délicieux. Nous recommandons fortement un nettoyage périodique tel que le spécifie la section «Nettoyage de votre cafetière».
- Utilisez toujours de l'eau froide dans votre cafetière.
- Une mouture fine favorise une extraction plus complète et un café de goût riche et robuste. Une mouture ordinaire nécessitera légèrement plus de café par tasse pour produire la richesse d'une mouture plus fine.
- Entreposez le café dans un endroit frais et sec. Une fois le café ouvert, gardez-le hermétiquement fermé au réfrigérateur afin d'en préserver la fraîcheur.
- Pour obtenir une saveur optimale, achetez des grains entiers et faites-les moudre fin juste avant de le préparer.
- Ne réutilisez jamais du café moulu: cela peut grandement altérer la saveur du café.
- Nous déconseillons de réchauffer du café. La saveur est la meilleure immédiatement après la préparation.
- La présence de fines gouttelettes d'huile à la surface de café noir fraîchement préparé provient de l'extraction d'huile des grains de café. L'utilisation de cafés fortement torréfiés pourra augmenter la fréquence de l'apparition de telles gouttelettes, Une surextraction pourra causer un goût huileux, indiquant la nécessité d'un nettoyage de la cafetière.

QUANTITÉ RECOMMANDÉE DE CAFÉ

Nombre de Tasses	Café Moulu
2	De 2 à 4 cuillers à table (1 à 2 mesures pleines)
4	De 4 à 8 cuillers à table (2 à 4 mesures pleines)
6	De 6 à 12 cuillers à table (3 à 6 mesures pleines)
8	De 8 à 16 cuillers à table (4 à 8 mesures pleines)
10	De 10 à 20 cuillers à table (5 à 10 mesures pleines)
12	De 12 à 24 cuillers à table (6 à 12 mesures pleines)

NETTOYAGE DE VOTRE CAFETIÈRE

ATTENTION: Assurez-vous toujours que la cafetière est débranchée et la plaque réchaud fraîche au toucher avant de tenter un nettoyage. Pour éviter tout risque de choc électrique, n'immergez jamais le cordon, la fiche, ou l'appareil dans l'eau ou autre liquide.

- Vous pouvez nettoyer l'extérieur de la cafetière en essuyant sa surface à l'aide d'un chiffon doux humide.

IMPORTANT: N'immergez jamais la cafetière dans de l'eau ou autre liquide.

- Vous pouvez laver la carafe en verre, son couvercle, et le panier filtreur amovible dans de l'eau chaude savonneuse ou les placer sur le tiroir supérieur du lave-vaisselle. Évitez de placer quelque autre partie de la cafetière dans le lave-vaisselle.
- Pour nettoyer le filtre permanent, jetez le café moulu et rincez à fond.
- Évitez d'utiliser un chiffon pour nettoyer l'intérieur du réservoir: le chiffon peut laisser un résidu de peluche qui peut boucher la cafetière.
- Pour éliminer les taches rebelles, servez-vous d'un tampon en plastique ou en nylon et d'un nettoyant non abrasif. N'utilisez jamais de tampon à récurer métallique ou de nettoyant abrasif.
- Des dépôts de calcaire peuvent se former dans la cafetière en raison des minéraux généralement présents dans l'eau potable. Ces dépôts sont normaux et peuvent entraîner un ralentissement du processus de préparation de la cafetière. Vous pouvez éliminer ce ralentissement en décalcifiant périodiquement la cafetière.
- Pour décalcifier la cafetière, remplissez-la d'eau froide et de deux cuillers à table de vinaigre blanc. Versez cette solution dans le réservoir à eau et fermez le couvercle. Posez la carafe sur la plaque réchaud et laissez la cafetière préparer la solution vinaigrée. Durant cette opération de décalcification, n'utilisez aucun filtre dans le panier filtreur. Une fois terminée la préparation de la solution vinaigrée, videz la carafe et rincez-la à l'eau froide. Réemplissez le réservoir à eau avec de l'eau froide seulement et mettez en marche un autre cycle de préparation afin de purger toute solution vinaigrée restante. Répétez au besoin.

REPÉRAGE D'ANOMALIES

Problèmes Potentiels	Cause Probable
LE TÉMOIN INDICATEUR DE MISE SOUS TENSION NE S'ALLUME PAS	<ul style="list-style-type: none">• Appareil débranché.*Panne d'électricité.
LE CAFÉ NE SE PRÉPARE PAS	<ul style="list-style-type: none">• Appareil débranché.• Panne d'électricité.• Réservoir à eau vide; examinez la visière de vérification du niveau d'eau.• Le portillon du panier filtreur n'est pas fermé convenablement.• La carafe n'est pas placée au complet sur la plaque réchaud.
LA CAFETIÈRE NE PRODUIT QUE DE L'EAU	<ul style="list-style-type: none">• Aucun café moulu dans le panier filtreur.
LA PRÉPARATION SE FAIT TRÈS LENTEMENT	<ul style="list-style-type: none">• La cafetière doit se faire décalcifier.
LE PANIER FILTREUR DÉBORDE	<ul style="list-style-type: none">• Le portillon du panier filtreur n'est pas fermé convenablement.• La carafe n'est pas placée au complet sur la plaque réchaud.• On a retiré la carafe de la plaque réchaud plus de 30 secondes.
ODEUR DE CAFÉ BRÛLÉ	<ul style="list-style-type: none">• On a laissé une carafe vide sur la plaque réchaud chaude.• Café renversé sur la plaque réchaud chaude.
LE CAFÉ N'EST PAS CHAUD	<ul style="list-style-type: none">• Panne d'électricité.• La mise à l'arrêt automatique 2 heures s'est actionnée.
LE CAFÉ A MAUVAIS GOÛT	<ul style="list-style-type: none">• On a utilisé une mouture de café autre que pour une cafetière automatique à égouttement.• Rapport café-eau déséquilibré.

VOUS AVEZ DES QUESTIONS?

Vous pouvez nous rejoindre sans frais au 1-800-986-0008

1 AN DE GARANTIE LIMITÉE

Sunbeam Products Inc. garantit que pour une période de un an à compter de la date d'achat, ce produit ne présentera aucun vice mécanique ou électrique, matériel ou de fabrication. Notre obligation ci-après se limite à la réparation ou au remplacement de ce produit au choix du fabricant durant la période de couverture de la garantie, pourvu qu'on envoie le(les) produit(s) acheté(s) aux Etats-Unis, par la poste, port payé, directement à l'adresse suivante:

SUNBEAM APPLIANCE SERVICE STATION
117 Central Industrial Row
Purvis, MS 39475

En cas de questions ou pour obtenir des renseignements à propos de cette garantie ou du bureau de service après-vente agréé de votre région aux États-Unis, appelez sans frais d'interurbain le 1-800-597-5978 ou écrivez à l'adresse suivante Sunbeam - Consumer Affairs en P.O. Box 948389, Maitland, Florida 32794-8389.

En ce qui concerne les produits achetés au Canada, veuillez les retourner par la poste, port payé, directement à l'adresse suivante:

SUNBEAM APPLIANCE SERVICE STATION (KNO)
Please call 1-800-667-8623 or email us at
consumeraffairs@consumer.sunbeam.com

En cas de questions ou pour obtenir des renseignements à propos de cette garantie ou du bureau de service après-vente agréé de votre région au Canada, appelez sans frais d'interurbain au Canada le 1-800-667-8623.

En cas de questions ou pour obtenir des renseignements à propos de cette garantie ou d'un bureau de service après-vente agréé à l'extérieur des États-Unis et du Canada, veuillez consulter la carte de service sous garantie insérée dans l'emballage du produit.

NE RETOURNEZ PAS CE PRODUIT À L'ENDROIT OÙ VOUS L'AVEZ ACHETÉ, CAR CELA POURRAIT RALENTIR LE TRAITEMENT DE VOTRE DEMANDE DE REMBOURSEMENT SOUS GARANTIE.

La présente garantie ne couvre ni l'usure normale des pièces ni les dommages entraînés par l'un quelconque des cas suivants: l'utilisation inappropriée ou négligente du produit, son utilisation à une tension ou à un courant inadéquats, son utilisation contraire aux directives du mode d'emploi, ou son démontage, sa réparation, son remaniement, sa modification ou sa transformation par toute personne autre qu'un centre de service après-vente agréé. La réparation ou le remplacement du produit prévus aux termes de la présente garantie constituent votre seul unique recours, Sunbeam Products Inc. n'acceptera aucune responsabilité de dommages conséquents ou accessoires découlant du manquement à quelque garantie explicite ou implicite sur ce produit. Sauf dans la mesure où l'empêchent les lois applicables, la durée de toute garantie implicite sur la qualité marchande ou le caractère utilisable de ce produit pour un but précis se limite à la durée de la garantie susmentionnée. Certains états ou provinces interdisent l'exclusion ou la limitation des dommages conséquents ou accessoires, ou la limitation de la durée d'une garantie implicite; il s'ensuit que les limitations ou exclusions ci-dessus peuvent ne pas s'appliquer à vous. La présente garantie vous confère des droits légaux précis, et vous pourriez aussi avoir d'autres droits qui varient selon l'état ou la province.

MEDIDAS IMPORTANTES DE SEGURIDAD

Cuando use algún aparato eléctrico, para reducir el riesgo de fuego o descargas eléctricas, y/o daños a personas precauciones básicas de seguridad siempre deben de tomarse, incluyendo las siguientes:

- Lea todas las instrucciones cuidadosamente.
- No toque las superficies calientes. Use las perillas o asas.
- Para protegerse contra una descarga eléctrica, no coloque el cordón, contacto o la cafetera en agua o en otros líquidos.
- Supervisión cercana es necesaria cuando el aparato es usado por o cerca de niños.
- Desconecte el aparato cuando no esté en uso y antes de limpiarlo. Permita que éste se enfríe antes de poner o quitar partes y antes de limpiar el electrodoméstico.
- No opere ningún aparato con un cordón dañado o después de que el aparato ha funcionado inadecuadamente o ha sido dañado en cualquier manera. Regrese el aparato a un centro de servicio autorizado para su examinación, reparación o ajuste.
- El uso de accesorios o aditamentos no recomendados por Oster® puede causar lesiones.
- No se use en exteriores.
- No permita que el cordón cuelgue sobre la orilla de la mesa o del mostrador o toque superficies calientes.
- No coloque sobre o cerca de quemadores de estufas de gas o dentro de un horno caliente.
- Siempre conecte el la toma de corriente de la pared antes de encender cualquiera de los controles. Para desconectar, coloque el control en la posición de APAGADO/OFF, después remueva el enchufe de la toma de corriente.
- Siempre use agua fría para preparar café. Agua tibia u otros líquidos

pueden causar daños a la cafetera.

- Si la tapa se remueve o se levanta mientras el ciclo de preparación se lleva a cabo, se pueden ocasionar quemaduras.
- No use este aparato más que para lo que ha sido diseñado.

PRECAUCION - Para evitar que el vidrio de la jarra se rompa o cause daños, siga estas instrucciones:

- No coloque la jarra de vidrio caliente en una superficie fría o mojada.
- No coloque la jarra de vidrio caliente sobre o cerca de papel, tela o cualquier otro material flamable.
- Esta jarra está diseñada para usarse con esta cafetera solamente.
- Nunca use la jarra de vidrio sobre las hornillas de la estufa o en un horno convencional o de microondas.
- No permita que el líquido se evapore de la jarra. No la caliente cuando esté vacía.
- No mueva la unidad cuando la jarra contiene líquido caliente.
- Use la tapa de la jarra de vidrio mientras prepara o sirve el café.
- Deseche la jarra si tiene algún daño cualquiera que éste sea, o si el asa está débil o floja. Si la jarra esta astillada o tiene alguna rajada puede resultar en que se rompa o en contaminar con partículas de vidrio a los líquidos contenidos en ella.
- No limpie la jarra con polvos limpiadores, fibras metálicas o de lana o cualquier otro material abrasivo.

GUARDE ESTAS INSTRUCCIONES

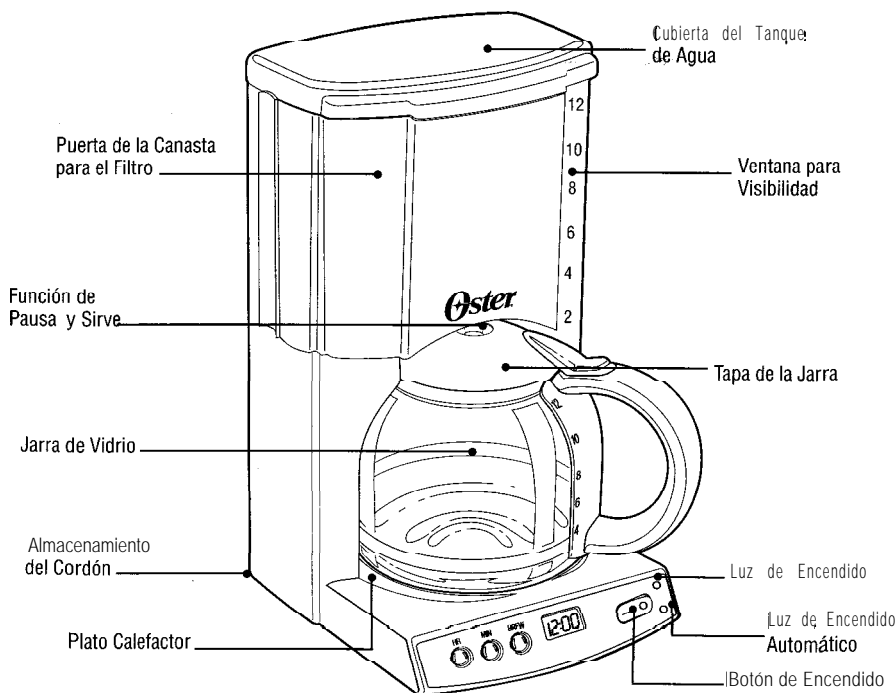
El Usuario No Puede Dar Manetimiento. Regrese al Centro de Servicio.
Esta Unidad es para Uso Doméstico Solamente

CARACTERÍSTICAS DE SEGURIDAD

- El aparato tiene un cordón eléctrico corto como medida de seguridad para prevenir el riesgo de tropezar, tirar o enredarse con un cordón más largo.
- Puede usar cables de extensión si se observan las precauciones adecuadas.
- Si se usan los cables de extensión la capacidad nominal eléctrica del cable de extensión debe ser igual o mayor que el amperaje que se muestra en el electrodoméstico. Coloque el cordón de extensión de manera que no cuelgue sobre el borde del mostrador o mesa donde pueda tirarlo un niño o pueda tropezar con él accidentalmente. La capacidad nominal eléctrica de la cafetera está listada abajo del aparato.
- Este aparato cuenta con una clavija polarizada (una pata es más ancha que la otra). Para reducir el riesgo de descarga eléctrica, esta clavija entra sólo de una manera en un enchufe polarizado. Si la clavija no encaja en el enchufe simplemente colóquela al revés. Si aún así no encaja llame a un electricista de su confianza para reemplazar el enchufe obsoleto.

DE NINGUNA MANERA INTENTE MODIFICAR ESTA MEDIDA DE SEGURIDAD

CARACTERÍSTICAS DE LA CAFETERA



CARACTERISTICAS

- **Apagado Automático en 2 Horas**

Por seguridad la cafetera Oster® ha sido diseñada con apagado automático como una medida de seguridad. La cafetera se apaga automáticamente en 2 horas después de que el ciclo de preparación de café ha sido completado, en el modo de inicio automático y en el regular. Para encenderla nuevamente sólo presione el Botón de Encendido hasta que la Luz de Encendido se ilumine.

- **Pausa y Servir**

Le permite interrumpir el ciclo de preparación de café y servir una taza de café antes de que la jarra esté completamente llena. Para reiniciar el ciclo de preparación, regrese la jarra al plato calefactor y el café automáticamente empezará a fluir por la canasta del filtro. Asegúrese de que la jarra esté colocada correctamente en el plato calefactor,

**PRECAUCION: NO REMUEVA LA JARRA POR MAS DE 30 SEGUNDOS
O. LA CANASTA DEL FILTRO. DERRAMARA EL CAFE**

- **Reloj/Cronómetro Digital**

El reloj digital de 24 horas construido en el frente de la cafetera mantendrá el tiempo correcto, aún después de que la cafetera ha sido apagada. El cronómetro puede ser programado hasta 24 horas antes para que automáticamente inicie la preparación de café fresco y caliente.

- **Ventana para Visibilidad**

Números grandes y fáciles de leer indican cuantas tazas de agua han sido vertidas dentro de la cafetera.

- **Luz de Encendido**

La Luz de Encendido le indica cuando la cafetera está encendida, para una operación segura.

- **Sello del Sabor**

El orificio y la tapa de la jarra se sellan para ayudar a preservar el sabor natural del café, así como la temperatura al prevenir la excesiva evaporación.

- **Jarra para Servir Facilmente**

Jarra de diseño único con borde alrededor y el tradicional pico que le permite convenientemente vertir desde cualquier lado. Asa más cómoda y fácil de manejar. Marcado del número de tazas en cada lado del asa hace más fácil la medición del nivel de agua cuando se llena la jarra.

- **Plato Calefactor Antiadherente**

Fácil de limpiar

- **Almacenamiento del Cordón**

Almacenamiento del cordón oculto que le permite esconder el cordón extra para una apariencia más organizada.

- **Canasta Giratoria**

La puerta del filtro gira para un llenado fácil.

- **Canasta para el Filtro en Forma Cónica Negra**

La canasta para el filtro en forma cónica mejora el sabor al prevenir el sabor amargo, El color negro ayuda a ocultar manchas. Un filtro estandar #4 de forma cónica debe ser usado.

COMO USAR SU CAFETERA OSTER

PREPARANDO SU CAFETERA PARA EL USO

- Con cuidado desempaque la cafetera y remueva todos los materiales de empaque.
- Antes de preparar el café en su nueva cafetera **Oster®**, limpie bien la jarra, la tapa de la jarra y la canasta del filtro con agua tibia y jabón. Enjuague y seque. No use limpiadores abrasivos.
- Usted puede limpiar el plato calefactor con un paño húmedo. Pero no sumerja la cafetera en agua o en cualquier otro líquido.
- Antes de preparar su primera taza de café, opere la cafetera una o dos veces con agua pero sin café molido y sin filtro de papel. Esto removerá el polvo que se acumuló y que puede afectar el sabor del café.

IMPORTANTE: Use agua fria para mejores resultados

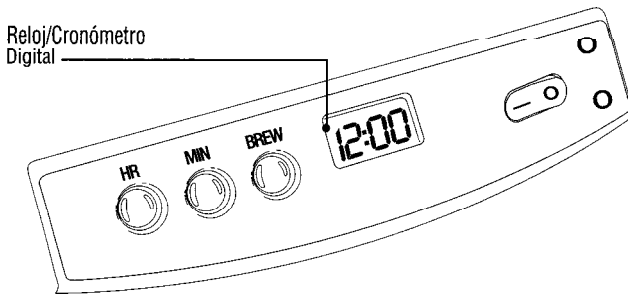
USANDO LOS CONTROLES DE SU CAFETERA

- **Reloj con indicador AM/PM** - Reloj con indicador AM/PM.
- **Adelantar la Hora** - Este botón adelanta la hora en el reloj y el cronómetro. Vea la sección "Cómo programar el Reloj" para un uso adecuado.
- **Adelantar los Minutos** - Este botón adelanta los minutos en el reloj y el cronómetro. Vea la sección "Cómo programar el Reloj" para un uso adecuado.
- **Programador de la Preparación** - Este botón le permite programar la cafetera hasta 24 horas antes del tiempo de preparación deseado. Vea la sección de "Retrasando el Tiempo de Preparación" para un uso adecuado.
- **Luz de Encendido** Este botón le indica que la cafetera está encendida y que está en la etapa normal del ciclo de preparación.
- **Luz de Encendido Automático** - Este botón le indica que la cafetera está en la etapa del ciclo de preparación retrasada, esperando el tiempo programado de preparación.
- **Botón de Encendido** - Este botón controla los tres modos de poder: ENCENDIDO/APAGADO/AUTOMATICO (ON/OFF/AUTO). El modo de APAGADO/ OFF no tiene luz indicadora.

COMO PROGRAMAR EL RELOJ

Para programar la hora correcta del día, primero presione el Botón para Adelantar la Hora hasta que muestre la hora correcta. Después, presione el Botón para Adelantar los Minutos hasta que muestre los minutos correctos. Use el indicador AM/PM a la izquierda de los números digitales cuando se programa el tiempo.

NOTA: Al desconectar la unidad la hora se fijará en las 12:00



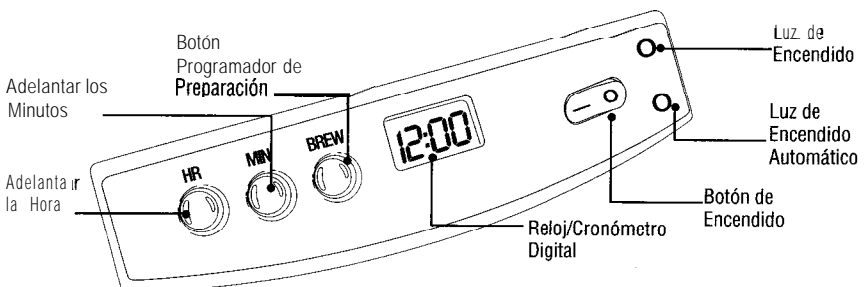
RETRASANDO EL CICLO DE PREPARACIÓN

Para programar su cafetera con anterioridad y preparar café posteriormente, primero verifique que el reloj tiene la hora correcta. Vea la sección "Cómo programar el Reloj". Presione el Botón Programador de Preparación y manténgalo presionado. Al mismo tiempo presione el Botón para Adelantar la Hora hasta que la hora de preparación deseada sea alcanzada. Después presione el Botón para Adelantar los Minutos hasta que los minutos de preparación deseados sean alcanzados.

El indicador AM/PM está en el lado izquierdo de el reloj digital. Libere el Botón Programador de Preparación.

Presione el Botón de Encendido una vez. La Luz de Encendido Automático se iluminará, indicando que la cafetera está en espera de alcanzar el tiempo programado antes de iniciar el ciclo.

Nota: Si el Botón de Encendido es presionado antes del Botón Programador de Preparación, no se activará el dispositivo de retraso del ciclo de preparación.



PREPARANDO SU CAFETERA PARA HACER CAFE

- Coloque su cafetera Oster® en una superficie plana, lejos de cualquier orilla.
- Conecte el enchufe en una toma de corriente alterna de 120 volt y 60Hz.
- La tapa de la jarra de vidrio debe estar colocada correctamente en la jarra durante el proceso de preparación y la jarra debe de estar colocada correctamente en el plato calefactor.
- La puerta del filtro debe estar cerrada adecuadamente durante el proceso de preparación.

PRECAUCION: Si la puerta de la canasta para el filtro no está completamente cerrada, la función de Pausa y Sirve no funcionará bien. Puede causar que se derrame agua o café caliente.

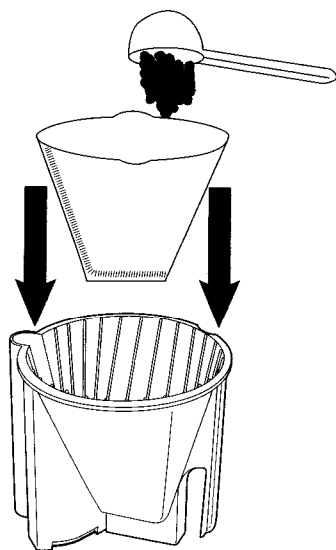
LLENANDO EL TANQUE DE AGUA

- Abra la tapa del tanque de agua localizada en la parte superior de la cafetera. Llene la jarra de vidrio con la cantidad deseada de agua fría. Vacíe el agua de la jarra dentro del tanque. La ventana de visibilidad indicará cuanta agua hay dentro del contenedor. Cierre la cubierta. Coloque la jarra de vidrio sobre el plato calefactor.

NOTA: La cantidad de café preparado siempre será ligeramente menor a la cantidad de agua colocada dentro de la cafetera, ya que un poco de agua es absorbida por los granos de café y por el filtro. Agregue un poco de más agua al iniciar el proceso, de manera que usted obtenga la cantidad exacta de tazas deseada.

COLOCANDO EL CAFE

- Gire la canasta del filtro a la derecha. Levante la canasta del filtro removible. Inserte un filtro de papel de forma cónica #4 dentro de la canasta del filtro.
- Un filtro permanente puede usarse en lugar de el filtro de papel. Llene el filtro permanente con la cantidad requerida de café. Después del ciclo de preparación, vacíe los granos y enjuague muy bien con agua.
- Coloque la cantidad deseada de granos de café dentro del filtro. De acuerdo a los estándares de la industria del café, use una medida estandar de café (2 cucharadas soperas) de granos por cada seis onzas de agua. Después de usar su cafetera varias veces, la cantidad de café puede ser ajustada a su gusto particular, al disminuir o aumentar la cantidad de café usado.



NOTA: Asegurese de que los granos de café estén preparados específicamente para cafeteras de goteo automático.

- Regrese la canasta del filtro con el filtro lleno y coloque dentro del soporte en la puerta. Asegurese de que está correctamente colocado. Gire la puerta de la canasta y ajuste en su lugar.

PRECAUCION: No opere su cafetera si la puerta de la canasta no cierra completamente.

Si la puerta no cierra completamente, revise que la canasta del filtro este sellada correctamente y ajuste la puerta en su lugar.

- Presione el Botón de Encendido. La Luz de Encendido se iluminará, indicando que la cafetera ha iniciado el ciclo de preparación. En unos minutos, la cafetera completará el ciclo de preparación e iniciará el modo de calentamiento, que mantendrá el café caliente por dos horas.
- Presione el Botón de Encendido a APAGADO/OFF cuando la jarra esté vacía o cuando la cafetera no esté en uso.

CONSEJOS PARA UN CAFE CON UN SABOR EXCELENTE

- Una cafetera limpia es esencial para preparar un café de buen sabor. Limpieza regular como la indicada en "Limpiando su Cafetera" es altamente recomendable.
- Siempre use agua fresca y fría en su cafetera.
- Un café finamente molido ayuda a una extracción más rica y un sabor más fuerte del café. Un molido normal requerirá ligeramente más café por taza para dar el sabor de un café más molido.
- Almacene el café en un lugar seco y templado. Una vez que el café ha sido abierto, manténgalo cerrado en el refrigerador para mantener la frescura.
- Para un café óptimo, compre granos completos y muelalos finamente justo antes de preparar café.
- No use dos veces los mismos granos de café ya que no tendrán el mismo sabor.
- No se recomienda recalentar el café. El mejor momento del sabor del café es inmediatamente después de preparado.
- Pequeñas gotas de aceite en la superficie del café negro se deben a la extracción de aceite de los granos de café. Esto ocurrirá frecuentemente en granos de café muy tostados. Muchas extracciones pueden causar esto también, lo que indica que debe de limpiar su cafetera.

CANTIDAD RECOMENDADA DE CAFE

Numero de Tazas	Café Molido
2	2 - 4 Cucharadas Soperas (1- 2 Cucharones)
4	4 - 8 Cucharadas Soperas (4 - 8 Cucharones)
6	6 - 12 Cucharadas Soperas (3 - 6 Cucharones)
8	8 - 16 Cucharadas Soperas (4 - 8 Cucharones)
10	10 - 20 Cucharadas Soperas (5-10 Cucharones)
12	12 - 24 Cucharadas Soperas (6-12 Cucharones)

LIMPIANDO SU CAFETERA

PRECAUCION: Siempre asegúrese de que su cafetera esté desconectada y que el plato calefactor esté frío antes de intentar limpiarla. Para protegerse contra descargas eléctricas, no sumerja el cordón, el enchufe o la unidad en agua u otros líquidos.

- El exterior de su cafetera puede limpiarse frotando la superficie con un paño húmedo y suave.

IMPORTANTE: Nunca sumerja la cafetera en agua o en otros líquidos.

- La jarra de vidrio, la tapa de la jarra y la canasta del filtro removible, pueden ser lavadas con agua tibia y jabón, o colocadas en la parte superior de la lavavajillas. No coloque cualquier otra parte de la cafetera dentro de la lavavajillas.
- Para limpiar el filtro permanente, vacíe los granos y enjuague muy bien.
- No limpie el interior del tanque de agua con un paño de tela, ya que puede dejar pelusas o residuos que pueden obstruir la cafetera.
- Para manchas difíciles, use una esponja de nylon o plástico con un limpiador no abrasivo. No use fibras de metal o limpiadores abrasivos.
- Depósitos de calcio pueden acumularse como resultado de existencia de minerales que comúnmente se encuentran en el agua para beber. Esto es normal y puede resultar en que el tiempo de preparación de café del aparato sea más largo del tiempo normal. Esto se puede eliminar por medio de descalcificación periódica de la cafetera.
- Para descalcificar, llene la jarra de vidrio con agua fría y dos cucharadas de vinagre blanco. Vacíe la solución dentro del tanque de agua, y cierre la tapa. Coloque la jarra en el plato calefactor y permita que la cafetera funcione con la solución de vinagre. Mientras se descalcifica, no use el filtro en la canasta para el filtro. Cuando la solución de vinagre ha sido vertida dentro de la jarra completamente vacíe la jarra y enjuáguela con agua fría. Llene nuevamente el tanque de agua con agua fría únicamente y haga funcionar la cafetera durante otro ciclo para eliminar cualquier cantidad de solución de vinagre remanente. Repita si es necesario.

PROBLEMAS Y SOLUCIONES DE SU CAFETERA

Problema Potencial	Posible Causa
LA LUZ DE ENCENDIDO NO SE ILUMINA	<ul style="list-style-type: none">• Desconectada• No hay poder
NO INICIA EL CICLO DE PREPARACION	<ul style="list-style-type: none">• Desconectada• No hay poder• El tanque de agua está vacío, revise la ventana de visibilidad• La puerta de la canasta del filtro no está bien cerrada• La jarra de vidrio no está correctamente colocada sobre el plato calefactor
LA CAFETERA SOLAMENTE PREPARA AGUA	<ul style="list-style-type: none">• No hay granos de café en el filtro
LA CAFETERA ES MUY LENTA	<ul style="list-style-type: none">• Se requiere la descalcificación
LA CANASTA DEL FILTRO SE DERRAMA	<ul style="list-style-type: none">• La puerta de la canasta del filtro no está bien cerrada• La jarra de vidrio no está correctamente colocada sobre el plato calefactor• La jarra de vidrio fue removida del plato calefactor por más de 30 segundos
OLOR A CAFE QUEMADO	<ul style="list-style-type: none">• Se dejó la jarra de vidrio vacía sobre el plato calefactor• Se derramó café sobre el plato calefactor
EL CAFE NO ESTA CALIENTE	<ul style="list-style-type: none">• No hay poder• Está activado el apagado automático en 2 horas
MAL SABOR DEL CAFE	<ul style="list-style-type: none">• Se usaron granos de café no adecuados para cafetera de goteo automático• La cantidad de agua usada no fue la adecuada para la cantidad de café

¿PREGUNTAS? Usted puede llamar gratis al número 1-800-986-0008

I AÑOS DE GARANTÍA LIMITADA

Sunbeam Products Inc. garantiza que, por un período de dos años desde la fecha de compra, este producto estará libre de defectos mecánicos y eléctricos en el material y la fabricación, Nuestra obligación está limitada a la reparación o a la reposición, bajo la opinión del fabricante, de éste producto durante el periodo de la garantía, para productos comprados en Estados Unidos devuélvalo(s) con gastos de envío prepagados directamente a:

SUNBEAM APPLIANCE SERVICE STATION

117 Central 95 Industrial Row

Purvis, MS 39475

Respuestas a sus preguntas respecto a esta garantía o a la localización del centro de servicio autorizado más cercano en Estados Unidos pueden obtenerse llamando gratis al 1-800-597-5978 o al escribir a Sunbeam - Consumer Affairs en P.O. Box 948389, Maitland, Florida 32794-8389.

Para productos comprados en Canadá, por favor regréselos, envío prepagado a:

SUNBEAM APPLIANCE SERVICE STATION (KND)

Please call 1-800-667-8623 or email us at

consumeraffairs@consumer.sunbeam.com

Respuestas a sus preguntas respecto a esta garantía o a su locación más cercana en Canadá pueden obtenerse llamando gratis al 1-800-667-8623.

Para información sobre la garantía o la localización de un centro de servicio autorizado fuera de los Estados Unidos y Canada por-favor vea la tarjeta de garantía insertada en el empaque del producto.

NO ENVIE ESTE PRODUCTO AL LUGAR DONDE FUE ADQUIRIDO.

AL HACERLO ATRASARA EL PROCESO DE RECLAMO DE SU GARANTIA.

Esta garantía no cubre el desgaste normal de las partes por el uso del producto, ni daños por cualquier mal uso o negligencia, así como el uso de voltajes o corrientes inadecuadas, uso contrario al manual de operaciones, desmantelamiento, reparación o alteraciones hechas por cualquier persona ajena al centro autorizado de servicio. La reparación o reposición del producto es la única solución. Sunbeam Products Inc. no será responsable por daños incidentales o causados por el producto, ni de cualquier garantía implícita o explícita de este producto. Excepto de lo que la ley indica, cualquier garantía de comercialización o ajustada para un propósito en particular a este producto está limitada a la duración de esta garantía. Algunos estados no permiten la exclusión o limitación de daños incidentales o causados por el producto,0 permiten la limitación dependiendo de la duración de la garantía implícita, así que las limitaciones o exclusiones arriba mencionadas pueden no aplicarse a usted. Esta garantía le da a usted derechos legales específicos y puede usted tener otros derechos que varían de estado a estado o de provincia a provincia.

PRECAUÇÕES IMPORTANTES

Sempre que utilizar eletrodomésticos, para evitar risco de incêndio, choque elétrico, e/ou ferimentos, **voçe** deve tomar algumas medidas básicas de **segurança**, como as que seguem:

- Leia todas as **instruções** atentamente.
- Não toque em superfícies quentes. Use o puxador e as **alças**.
- Para evitar risco de choque elétrico, não submerja o fio, o tomada ou o aparelho em água ou qualquer outro líquido.
- ⚡ necessário manter urna supervisão muito próxima quando este aparelho for usado por, em ou perto de **crianças**.
- Desconecte o aparelho, sempre que ele não estiver em uso e antes de efetuar sua limpeza. Deixe esfriar antes de colocar ou retirar partes de aparelho e limpe-o.
- Não use nenhum aparelho eletrônico que tenha o fio ou a tomada danificada, ou após ter apresentado algum defeito ou após caído no **chão**. Neste caso, leve o aparelho à assistência técnica autorizada para revisão ou conserto.
- O uso de peças de **reposição** não recomendadas pelo Oster® podem causar ferimentos.
- Não use o aparelho ao ar livre.
- Não deixe o fio pendurado para fora de mesa ou superfície onde o aparelho estiver sendo utilizado, ou em contato com superfícies quentes.
- Não coloque o aparelho em cima ou perto de um fogão ou estufa elétrica ou a gás, nem sobre forno quente.
- Sempre ligue o fio elétrico na tomada antes de ligar o aparelho. Para desconectar o fio, desligue o aparelho e depois desligue o fio da tomada.
- Sempre use água fria para fazer café. Água morna ou outros líquidos podem danificar a cafeteira.

- Queimadura pode ocorrer se a tampa for levantada ou removida durante o ciclo de preparo.
- Não utilize o aparelho para outros fins que não aqueles para os quais foi projetado.

CUIDADO - Para evitar que o copo quebre ou que algum acidente aconteça, siga estas precauções:

- Não coloque o copo em superfície fria ou molhada.
- Não coloque o copo em cima ou perto de papel, pano ou qualquer material inflamável.
- Este copo foi desenhado somente para este modelo de cafeteira.
- Nunca use o copo no fogão ou no forno de microondas.
- Não deixe que o líquido evapore no copo. Não esquente o copo quando ele estiver vazio.
- Não desloque o aparelho quando o copo estiver cheio de líquido quente.
- Coloque a tampa no copo quando você estiver fazendo ou servindo café.
- Não utilize o copo caso ele esteja danificada ou com a alça solta ou quebrada. O vidro quebrado ou rachado causará a quebra do copo ou contaminará o líquido com pedaços de vidro.
- Não limpe o copo com pó de limpeza, esponjas de aço e outros materiais abrasivos.

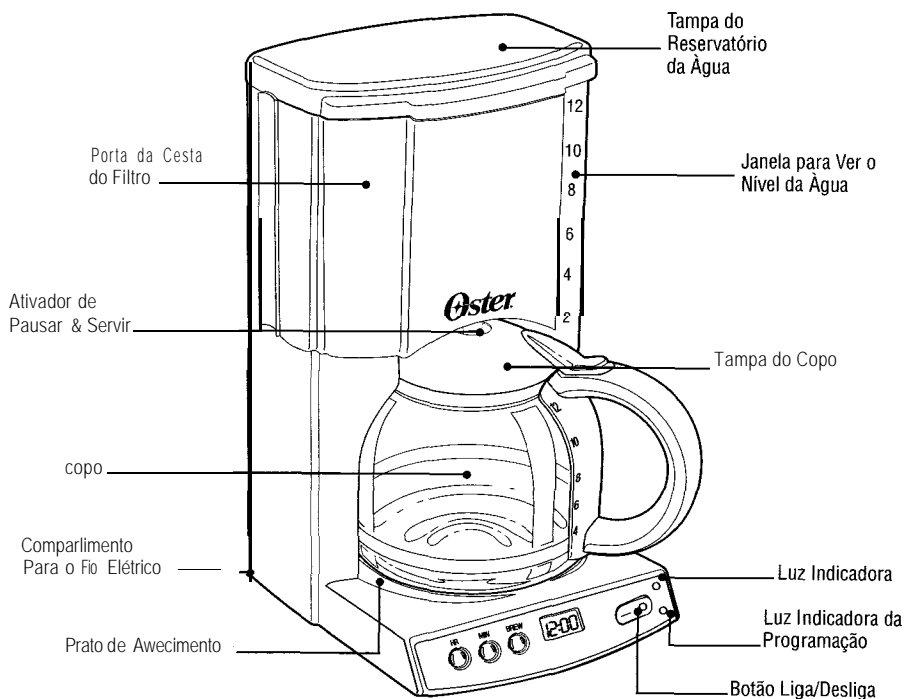
GUARDE ESTAS INSTRUÇÕES

Caso Precise de Manutenção Leve o Aparelho para um Centro Autorizado
Este Aparelho Somente Para Uso Doméstico

CARACTERÍSTICAS DE SEGURANÇA

- O fio elétrico fornecido é curto para reduzir o risco de enrolamento ou tropeção em um fio mais longo.
- Extensões podem ser usadas tomando as devidas precauções durante o uso.
- Caso urna extensão seja utilizada, esta deve ter as voltagens do aparelho. O fio deve ser arrumado de tal maneira que não fique pendurado no balcão, ou mesa, onde o aparelho pode ser puxado por crianças ou derrubado involuntariamente. A listagem elétrica da sua cafeteira encontra-se na parte do painel inferior do aparelho.
- Este aparelho conta com um plugue polarizado (um dos contatos é mais largo do que outro). Para evitar risco de choque elétrico, como recurso de segurança, este plugue encaixa-se somente em um plug unidirecional polarizado. Se o plug não se encaixar totalmente dentro da tomada, inverta o mesmo. Se ainda assim não encaixar, contate um eletricitacompetente. **NÃO TENHA OESATIVAR ESTE RECURSO DE SEGURANÇA.**

CARACTERÍSTICAS DA CAFETEIRA



CARACTERÍSTICAS

- **Desligamento Automático depois de 2 Horas**

Para segurança, a cafeteira Oster® foi desenhada com urna característica de desligamento automático. A cafeteira desliga automaticamente 2 horas depois que o café foi feito, mesmo que ela esteja ligada para fazer o café no automático ou no funcionamento regular. Para **recomeçar**, basta ligar a cafeteira até que a luz indique que o aparelho esteja ligado,

- **Pausar & Servir**

Esta característica permite que você pause o aparelho para servir uma xícara de café antes que a cafeteira termine de fazer o café. Para continuar o processo, retorne o copo para o prato de aquecimento que o café voltará a passar pela cesta do filtro. Verifique se o copo foi colocado no prato de aquecimento devidamente.

CUIDADO: NÃO TIRE O COPO POR MAIS DE 30 SEGUNDOS, SENÃO A CESTA DO FILTRO PODERÁ TRANSBORDAR.

- **Relógio/Temporizador Digital**

O relógio digital localizado na frente da cafeteira, continuará ligado mesmo que a cafeteira esteja desligada. O temporizador pode ser programado até 24 horas para que a cafeteira **comece** a fazer o café automaticamente.

- **Janela para Ver o Nível da Água**

Números grandes de fácil leitura indicam quantos copos de água foram colocados dentro da cafeteira.

- **Luz Indicadora**

A luz indica quando a cafeteira está ligada para uso com **segurança**.

- **Vedação do Sabor**

A tampa do copo veda para conservar o sabor natural do café, a temperatura e para prevenir a **evaporação** excessiva.

- **Copo Fácil de Servir**

O copo tem um modelo único com a borda arredondada e o bico tradicional que permite que **você** sirva o café por todos os lados. **Alça** fácil de segurar para mais conforto. A **alça** é graduada nos dois lados para facilitar a medida de água quando **você** estiver enchendo o copo.

- **Prato de Aquecimento Não-Aderente**

Facilita a limpeza.

- **Compartimento Para o Fio Elétrico**

O compartimento para o fio elétrico é escondido permitindo que você esconda o excesso de fio.

- **Cesta Giratória**

A porta da cesta do filtro é giratória facilitando o enchimento do filtro.

- **Cesta do Filtro Com Forração Preta**

A cesta do filtro com formato de cone enriquece o sabor e previne um sabor amargo. A **forração** preta ajuda a esconder manchas. Um filtro padrão número 4 com formato de cone deve ser usado.

COMO USAR A SUA CAFETEIRA OSTER®

PREPARANDO A SUA CAFETEIRA PARA O USO

- Tire cuidadosamente a cafeteira da caixa e remova todos os materiais usados no empacotamento.
- Antes de fazer café na sua cafeteira Oster®, limpe o copo, a tampa do copo e a cesta do filtro minuciosamente com água e detergente. Enxague-os bem. Não use um detergente abrasivo.
- Limpe o prato de aquecimento com um pano limpo e úmido, entretanto não coloque a cafeteira dentro d'água ou outros líquidos.
- Antes de fazer o seu primeiro café, opere a sua cafeteira somente com água, urna ou duas vezes antes de colocar o pó de café e o filtro de papel. Isto removerá qualquer poeira encontrada dentro da cafeteira e não irá alterar o sabor do café.

IMPORTANTE: Para um melhor resultado use água fria.

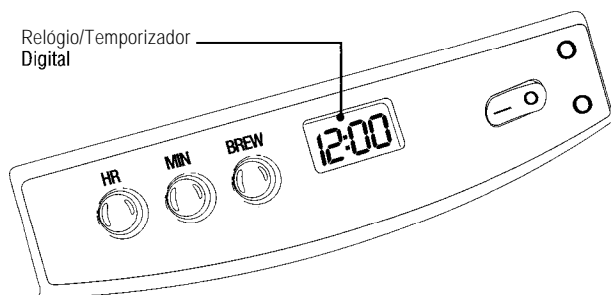
USANDO OS CONTROLES DA SUA CAFETEIRA

- Relógio/Temporizador Digital – Relógio com indicador AM/PM.
- Avanço da Hora – Este botão avança a hora do relógio e do temporizador. Veja a parte "Como Ajustar o Relógio" para o uso adequado.
- Avanço do Minuto – Este botão avança a hora do relógio e do temporizador. Veja a parte "Como Ajustar o Relógio" para o uso adequado.
- Botão Para Programação – Este botão permite que você programe a cafeteira até 24 horas antes do preparo desejado. Veja a parte "Retardando o Preparo" para o uso adequado.
- Luz Indicadora – Este botão indica que a potência está indo para a cafeteira, e que a cafeteira está funcionando em seu estado normal.
- Luz de Ligação Automática – Este botão indica que a cafeteira está programada para um preparo em um tempo específico.
- Botão Liga /Desliga – Este botão controla três comandos: Ligado/Desligado/Auto. O comando Desligado não tem urna luz indicadora.

COMO AJUSTAR O RELÓGIO

Para ajustar corretamente a hora do dia, primeiro aperte o botão de Avanço da Hora até que a hora correta seja encontrada. Depois, aperte o botão de Avanço do Minuto até que o minuto desejado seja encontrado. Use o indicador AM/PM no lado esquerdo da leitura da hora quando você estiver ajustando o relógio.

NOTA: Desligando o fio elétrico da tomada irá reajustará o relógio para 12:00.



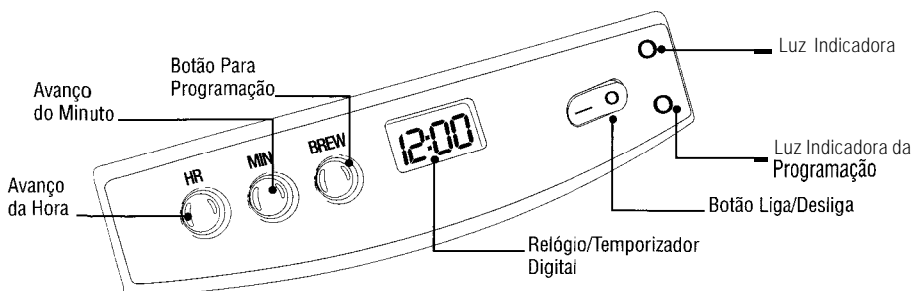
RETARDANDO O PREPARO

Para programar a sua cafeteira para preparar o café em outra hora verifique se o relógio está na hora certa. Veja a parte "Como Ajustar o Relógio".

Preione e segure o Botão Para Programação. Enquanto você segura este botão aperte o Botão de Avanço da Hora até que a hora desejada apareça. Depois o Botão de Avanço do Minuto até que o minuto desejado apareça. O indicadores AM e PM estão no lado esquerdo da leitura do relógio digital. Solte o Botão para Programação.

Aperte o Botão Liga/Desliga uma vez. A Luz para Ligar Automaticamente a cafeteira atenderá indicando que o aparelho está esperando o horário programado para começar a fazer o café.

Nota: Caso o botão Liga/Desliga for apertado antes do Botão Para Programação, a programação não será ativada.



PREPARANO DA CAFETEIRA PARA FAZER O CAFÉ

- Coloque a sua cafeteira Oster® em urna superfície plana longe da borda.
- Ligue o aparelho somente em urna tomada de 120 volts 60 Hz AC.
- A tampa do copo deve ser colocada corretamente durante o processo de preparação do café e copo colocado no prato de aquecimento.
- A porta da cesta do filtro deve ser fechada adequadamente durante o processo de preparação do café.

CUIDADO: Se a porta da cesta do filtro não estiver completamente fechada, a característica Pausa & Serve não funcionará direito.

Isto pode causar que a água quente ou o café transborde.

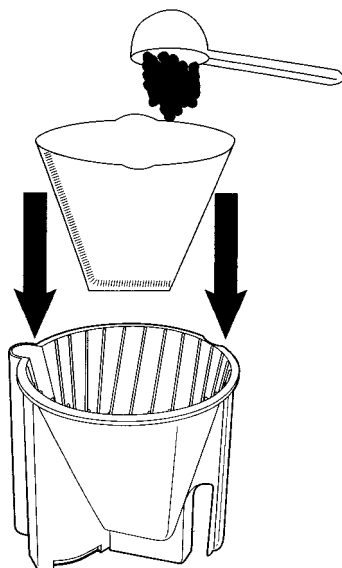
ENCHENDO O RESERVATÓRIO DE ÁGUA

- Abra a tampa do reservatório de água localizado na parte superior da cafeteira. Encha o copo com a quantia desejada de água fria. Esvazie o copo colocando a água dentro do reservatório. A janela indicadora irá mostrar a quantidade de água dentro do reservatório. Tampe o reservatório e coloque o copo no prato de aquecimento.

NOTA: A quantidade de café sempre será um pouco menor que a quantidade de água colocada na cafeteira já que um pouco da água é absorvida pelo copo e pelo filtro. Adicione um pouco mais de água no início para obter a quantidade desejada de café.

COLOCANDO O PÓ DE CAFÉ

- Gire a cesta do filtro para a sua direita. Retire a cesta removível. Coloque o filtro número 4 em forma de cone dentro da cesta.
- Um filtro permanente pode ser usado ao invés do filtro de papel descartável. Encha o filtro permanente com a quantia de café desejada. Após o processo de preparação, enchague-o minuciosamente com água.
- Coloque a quantia desejada de pó de café dentro do filtro. De acordo com as Medidas da Indústria de Café, use urna medida (2 colheres de mesa) de pó de café para cada seis onças de água. Após usara sua cafeteira regularmente, a quantidade de pó de café pode ser ajustada de acordo conveniente ao seu paladar, diminuindo ou aumentando a quantidade de café utilizado.



NOTA: Tenha certeza de que o pó de café usado é especificamente para cafeteiras automáticas.

- Coloque a cesta do filtro cheia de pó de café na porta. Verifique se a cesta do filtro foi colocada adequadamente na porta. Feche a porta até que ela trave.

CUIDADO: Não use a sua cafeteira se a porta não estiver devidamente fechada.

Caso a porta não feche completamente, verifique se a cesta do filtro foi vedada adequadamente e travada no seu devido lugar.

- Aperte o botão para ligar o aparelho. A luz indicadora irá acender indicando que a cafeteira iniciou o processo. Em alguns minutos a cafeteira já terá completado este ciclo e mudará para o processo de aquecimento, mantendo o café quente durante duas horas.
- Desligue a cafeteira quando o copo estiver vazio ou quando o aparelho não estiver em uso.

DICAS PARA UM CAFÉ DELICIOSO

- Uma cafeteira limpa é essencial para fazer um café delicioso. É recomendado a limpeza regularmente como indicado no "Como Limpar A Sua Cafeteira."
- Sempre use água fria e fresca na sua cafeteria.
- O café em pó dá uma **extração** melhor do café e proporciona um café mais rico e saboroso. Para obter o mesmo sabor de um café em pó, é necessário usar uma maior quantidade de café granulado.
- Guarde o café em um lugar frio e seco. Uma vez aberto mantenha o café vedado na geladeira para conservar o frescor.
- Para um ótimo café compre grãos de café e triture-os antes de fazê-los.
- Não utilize o pó de café novamente porque o sabor do café será alterado.
- Não é recomendado esquentar o café. O sabor do café é melhor quando é feito na hora.
- Pequenas gotas de óleo podem ser encontradas na superfície do café devida a **extração** do óleo do pó de café. A oleosidade pode ocorrer com mais frequência caso um café mais torrado seja utilizado. **Extração** demasiada pode causar também oleosidade indicando que é necessário limpar a sua cafeteira.

QUANTIDADE RECOMENDADA DE CAFÉ

Número de Copos	Pó de Café
2	2 – 4 colheres de mesa
4	4 – 8 colheres de mesa
6	6 – 12 colheres de mesa
8	8 – 16 colheres de mesa
10	10 – 20 colheres de mesa
12	12 – 24 colheres de mesa

COMO LIMPAR A SUA CAFETEIRA

CUIDADO: Verifique se a cafeteira está desligada da tomada e se o prato de aquecimento está frio antes de **começar** a limpar. Para evitar o choque elétrico não coloque o fio, a tomada ou a cafeteira dentro d'água ou qualquer outro líquido.

- A superfície exterior da cafeteira pode ser limpa com um pano úmido e macio.

IMPORTANTE: Nunca coloque a cafeteira dentro d'água ou de qualquer outro líquido.

- O copo de vidro, a tampa do copo, e a cesta do filtro removível podem ser lavados em água morna com detergente ou na parte superior da máquina de lavar louças.
- Para limpar O filtro permanente esvazie O filtro e enxague-O minuciosamente.
- Não limpe dentro do reservatório da água com pano já que ele pode deixar resíduo de fibras de algodão que podem entupir a cafeteira.
- Para manchas difíceis, use urna esponja de nylon ou plástico com um material de limpeza não-abrasivo. Não use esponja de aço ou materiais de limpeza abrasivo.
- Um depósito de cálcio pode acumular na cafeteira por causa de minerais encontrados em água potável. Este acúmulo é normal e pode causar uma demora no processo de **preparação** do café da sua cafeteira. Esta demora pode ser eliminada descalcificando periodicamente a sua cafeteira.
- Para descalcificar, encha o copo com água fria e duas colheres de mesa de vinagre branco. Despeje a **solução** dentro do reservatório de água e tampe o reservatório. Coloque o copo no prato de aquecimento e deixe que a cafeteira processe a **solução** de vinagre. Durante a **decalcificação** não use o filtro dentro da cesta. Quando a **solução** de vinagre for devidamente processada, esvazie o copo e enxague-o com água fria. Encha novamente o reservatório de água com a água fria e deixe que outro ciclo **aconteça** para que remova restos da **solução** de vinagre. Caso seja necessário repita O processo.

COMO SOLUCIONAR PROBLEMAS COM A SUA CAFETEIRA

Problemas Comuns	Causa Provável
A LUZ INDICADORA NÃO ACENDE	<ul style="list-style-type: none">• O fio está desligado da tomada.• Falta de luz.
O CAFÉ NÃO ESTÁ SENDO PREPARADO	<ul style="list-style-type: none">• O fio está desligado da tomada.• Falta de luz.• O reservatório da água está vazio; verifique a janela do nível da água.• A porta da cesta não está fechada corretamente.• O copo não foi colocado no prato de aquecimento corretamente.
A CAFETEIRA SÓ PROCESSA ÁGUA	<ul style="list-style-type: none">• O filtro está vazio.
A CAFETEIRA ESTÁ LENTA	<ul style="list-style-type: none">• A cafeteira precisa de ser descalcificada.
CESTA DO FILTRO TRANSBORDA	<ul style="list-style-type: none">• A porta da cesta não foi fechada corretamente.• O copo não foi colocado no prato de aquecimento corretamente.• O copo foi retirado do prato de aquecimento por mais de trinta segundos.
CHEIRO DE CAFÉ QUEIMADO	<ul style="list-style-type: none">• O copo vazio foi deixado no prato de aquecimento que estava quente.• Café foi derramado no prato de aquecimento.
O CAFÉ NÃO ESTÁ QUENTE	<ul style="list-style-type: none">• Falta de luz.• Desligamento automático depois de duas horas foi ativado.
O CAFÉ TEM UM GOSTO RUIM	<ul style="list-style-type: none">• O pó de café não é adequado para cafeteiras automáticas.• A proporção do pó de café não está balanceada com a quantidade de água.

PERGUNTAS? Você pode fazer uma **ligação** gratuita para 1-800-986-0008.

GARANTIA LIMITADA DE 1 ANO

A Sunbeam Products Inc. oferece garantia por um período de um ano de que este produto não deva apresentar defeitos mecânicos e elétricos devidos a seus materiais e à sua manufatura. Nossa obrigação em virtude disso é limitada ao conserto ou à substituição deste produto, conforme a escolha do fabricante, durante o período de garantia, desde que o(s) produto(s) adquiridos nos Estados Unidos seja(m) enviados com tarifa postal previamente paga diretamente para:

SUNBEAM APPLIANCE SERVICE STATION

117 Central Industrial Row
Purvis, MS 39475

Consultas referentes a esta garantia ou à localização do centro de assistência e serviços mais próximo dentro dos Estados Unidos poderão ser feitas pelo telefone no número gratuito 1-800-597-5978 ou pelo correio, escrevendo para Sunbeam - Consumer Affairs em P.O. Box 948389, Maitland, Florida 32794-8389.

Os produtos comprados no Canadá devem ser devolvidos com tarifa postal previamente paga diretamente para:

SUNBEAM APPLIANCE SERVICE STATION (KND)

Please call 1-800-667-8623 or email us at
consumeraffairs@consumer.sunbeam.com

Consultas referentes a esta garantia ou localização do centro de assistência e serviços mais próximo dentro do Canadá poderão ser feitas pelo telefone no número gratuito 1-800-667-8623. (Somente dentro do Canadá).

Para obter informações sobre a garantia ou sobre a localização de serviços de assistência técnica fora dos Estados Unidos e Canadá, consulte o cartão de serviços de garantia encontrado dentro da embalagem deste produto.

NÃO DEVOLVA ESTE PRODUTO AO LOCAL DA COMPRA DO MESMO.

ISTO PODERÁ ATRASAR O PROCESSAMENTO DO SEU PEDIDO DE GARANTIA.

Esta garantia não cobre o desgaste normal das peças ou os danos resultantes de qualquer uma das seguintes situações: uso negligente ou indevido do produto, uso deste sob tensão ou corrente incorretas, uso deste de forma não recomendada pelas instruções de operação ou ainda desmonte, conserto ou alteração do mesmo por qualquer pessoa além dos técnicos do centro autorizado de serviços. O conserto ou substituição do produto conforme ditado pela garantia expressa ou implícita sobre este produto. A exceção do âmbito proibida pelas leis aplicáveis, qualquer garantia implícita da aplicabilidade para uso a que se destina ou da adequação do produto para um fim em particular é limitada em sua duração ao prazo da garantia acima. Alguns estados e províncias não permitem a exclusão ao limitação de danos incidentais ou resultantes de um ato, ou permitem a limitação da duração de uma garantia implícita, de modo que as limitações ou exclusões acima talvez não sejam aplicáveis ao seu caso. Esta garantia lhe confere direitos legais específicos, mas você poderá gozar também de direitos adicionais que variam de estado para estado e de província para província.

Oster®

©1997 Sunbeam Corporation or its affiliated companies. All rights reserved.
Oster® is a registered trademarks of Sunbeam Corporation or its affiliated companies.
Distributed by Sunbeam Products Inc., Delray Beach, Florida 33445.

©1997 Sunbeam Corporation ou ses sociétés apparentées. Tous droits réservés.
Oster® est une marques déposées de Sunbeam Corporation ou de ses sociétés apparentées.
Distribué par Sunbeam Products Inc., Delray Beach, Florida 33445.

©1997 Sunbeam, Products Inc. o sus corporaciones afiliadas. Todos los derechos reservados.
Oster® es una marca registradas de Sunbeam Corporation o de sus corporaciones afiliadas
Distribuido por Sunbeam Pmducts Inc., Delray Beach, Florida 33445.

©1997 Sunbeam Products Inc. ou suas empresas afiliadas. Todos os direitos reservados,
Oster® e Designer® são marcas comerciais da Sunbeam Corporation, ou de suas empresas afiliadas
Distribuido pela Sunbeam Products Inc., Delray Beach, Florida 33445.

Free Manuals Download Website

<http://myh66.com>

<http://usermanuals.us>

<http://www.somanuals.com>

<http://www.4manuals.cc>

<http://www.manual-lib.com>

<http://www.404manual.com>

<http://www.luxmanual.com>

<http://aubethermostatmanual.com>

Golf course search by state

<http://golfingnear.com>

Email search by domain

<http://emailbydomain.com>

Auto manuals search

<http://auto.somanuals.com>

TV manuals search

<http://tv.somanuals.com>