

# Oster®

For product questions contact:  
Jarden Consumer Service

USA: 1.800.334.0759  
Canada: 1.800.667.8623

[www.oster.com](http://www.oster.com)

©2011 Sunbeam Products, Inc. doing business as Jarden Consumer Solutions. All rights reserved. Distributed by Sunbeam Products, Inc. doing business as Jarden Consumer Solutions, Boca Raton, Florida 33431.

Para preguntas sobre los productos llame:  
Jarden Consumer Service

EE.UU.: 1.800.334.0759  
Canadá: 1.800.667.8623

[www.oster.com](http://www.oster.com)

©2011 Sunbeam Products, Inc. operando bajo el nombre de Jarden Consumer Solutions. Todos los derechos reservados. Distribuido por Sunbeam Products, Inc. operando bajo el nombre de Jarden Consumer Solutions, Boca Raton, Florida 33431.

# Oster®

*User Manual* **Hinged Lid  
Electric Skillet**

*Manual de Instrucciones* **Sartén Eléctrica  
Tapa con Bisagras**



# IMPORTANT SAFEGUARDS

When using your electric skillet, basic safety precautions should always be followed, including the following:

## READ ALL INSTRUCTIONS

- Be sure that lid handles are assembled and fastened properly.
- Do not touch hot surfaces, use handles.
- To protect against electric shock, do not immerse the temperature controller, cord or plug in water or other liquids.
- Close supervision is necessary when any appliance is used by or near children.
- Unplug the appliance from the outlet when not in use and before cleaning. Allow appliance to cool before putting on or taking off parts and before cleaning appliance.
- Do not operate any appliance with a damaged cord or plug, or after the appliance malfunctions, or has been damaged in any manner. Return to an Authorized Service Station for examination, repair or electrical or mechanical adjustment. You can locate the nearest service center by calling 1.800.334.0759.
- The use of accessory attachments not recommended by the appliance manufacturer may cause injuries.
- Do not use outdoors.
- Do not let cord hang over edge of table or counter or touch hot surfaces.
- Do not place on or near a hot gas or electric burner or in a heated oven.
- Use extreme caution when moving the appliance if it contains hot oil or any other hot liquid.
- Always attach the temperature controller to the appliance first, then plug into the wall outlet. To disconnect, switch off, remove plug from the wall outlet, then remove the temperature controller from the appliance.
- Only use the appliance with the OSTER™ Temperature Controller.
- Do not use appliance for anything other than its intended use.
- It is recommended that you do not cook with the Electric Skillet standing on temperature sensitive surfaces.
- To prevent the risk of burns, never fill oil in the Skillet Pan more than ½ inch (12.7 mm) high.

**THIS UNIT IS FOR  
HOUSEHOLD USE ONLY**

**EXTENSION CORD USE**

A short power-supply cord is provided to reduce the risk resulting from becoming entangled in or tripping over a longer cord. Do not use an extension cord.

# SAVE THESE INSTRUCTIONS

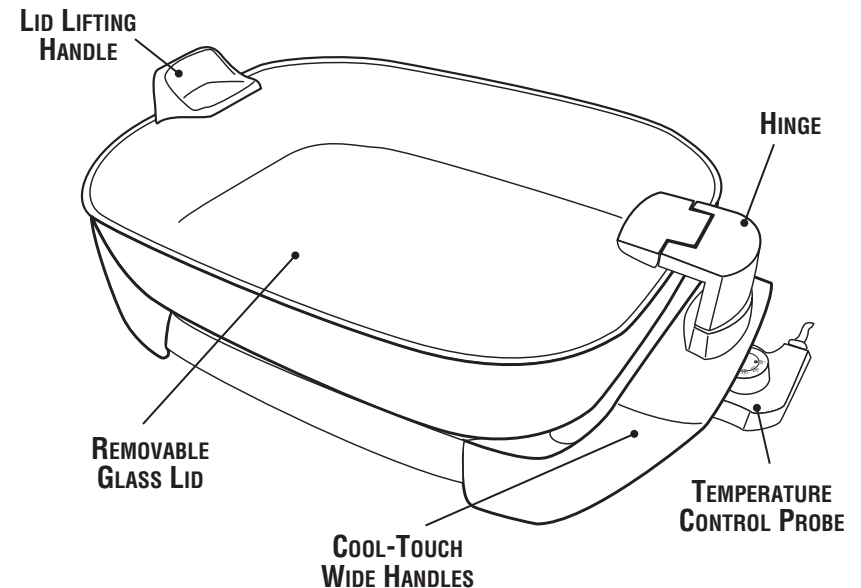
To reduce the risk of electrical shock, this appliance has a polarized plug (one blade is wider than the other). This plug fits a polarized outlet only one way; if the plug does not fit fully into the outlet, reverse the plug. If it still does not fit, contact a qualified electrician.

**DO NOT ATTEMPT TO DEFEAT THIS SAFETY FEATURE.  
DO NOT CHANGE THE PLUG IN ANY WAY.**

## WELCOME

Congratulations on your purchase of an OSTER® Hinged Lid Electric Skillet! To learn more about OSTER® products, please visit us at [www.oster.com](http://www.oster.com).

## HINGED LID ELECTRIC SKILLET FEATURES



## INTRODUCTION

### CONDITIONING OF THE NON-STICK COATED PAN

Before using your new appliance, wash the inside of the pan with warm, sudsy water and dry. When washing the skillet, make sure the temperature controller is removed. Rub a film of cooking or salad oil all over the non-stick coating on the inside of the pan. Remove any excess oil with a cloth or paper towel.

The OSTER® Electric Skillet is now ready for use and it is unnecessary to condition it again.

### USING THE HINGED LID ELECTRIC SKILLET

1. Push the temperature controller firmly into its socket found at the side of the appliance. Plug into a standard 120 Volt AC outlet.
2. Set the temperature you want by turning the knob on the temperature controller. The indicator light will come on. Set the temperature of your choice opposite the indicator light. When the light goes off, the chosen cooking temperature has been reached. During cooking, the light will cycle on and off indicating the temperature is being maintained. Guidance in the choice of temperatures is supplied later in this book.
3. It is recommended that you do not cook with the Hinged Lid Electric Skillet standing on temperature sensitive surfaces.
4. For simmering, set the temperature control knob to 300°F/150°C or SIMMER and wait until the liquid boils. Turn the knob toward the WARM setting. Set the dial to this point each time SIMMER is specified in a recipe.
5. Do not use metal utensils in your Hinged Lid Electric Skillet as they may damage the non-stick coating. Wood or plastic coated spatulas are best. If you use plastic tools, make sure they are suitable for use on hot surfaces.
6. To remove the temperature controller, first unplug from the wall outlet and pull out.

The hinged lid was specially designed to make preparing and serving food easier.

- To attach the lid, be sure to align the lid hinge so that it slides down onto the matching heating base hinge. (see Fig. 1).
- When raising and lowering the lid, always use the lid lifting handle (see Fig. 2). **Note:** Lid opens away from the steam.
- To remove the lid, use both hands to gently lift up and remove. (see Fig. 3).

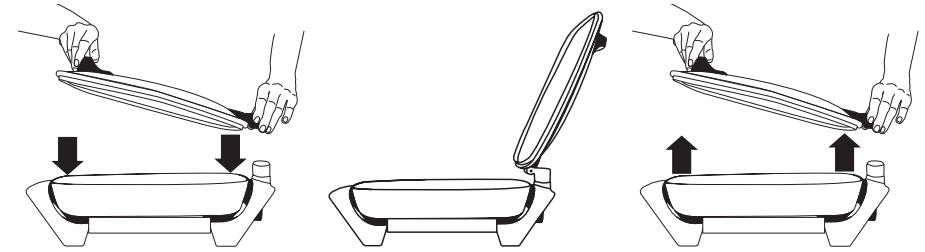


Fig. 1

Fig. 2

Fig. 3

### CLEANING THE APPLIANCE

Switch off, remove plug from wall outlet and remove the temperature control probe. Allow the appliance to cool. Wash the pan and lid with hot sudsy water. You can totally immerse the pan or place in the dishwasher. The lid is also dishwasher-safe providing it is placed in the TOP RACK ONLY. **DO NOT PLACE LID UPSIDE DOWN IN BOTTOM DISHWASHER RACK.** To remove stubborn food residues, use a nylon scourer. **NEVER** use abrasive powder cleaners or metal scouring pads because these will damage the non-stick coating. After washing, dry the pan thoroughly, while paying particular attention to the electrical socket and pins. **DO NOT USE METAL PADS TO CLEAN ELECTRICAL PINS.** Wipe controller with damp cloth. Do not immerse cord or controller in water.

### STORAGE AND MAINTENANCE

Unplug cord and remove temperature control probe. Allow appliance to cool before storing. Store your Hinged Lid Electric Skillet in a dry location, such as on a tabletop or countertop, or on a cupboard shelf. Wind the electrical cord into a loose coil and secure with a plastic twist fastener. For convenience, the temperature control probe and cord can then be stored inside the skillet.

Other than recommended cleaning, no further user maintenance should be necessary.

# FOOD CHART

FOOD	TEMPERATURE	APPROXIMATE TIME
<b>BACON</b>	350° F / 175° C	5 – 8 Minutes
<b>EGGS</b> ( <i>Fried</i> )	300° F / 150° C	3 – 5 Minutes
<b>EGGS</b> ( <i>Scrambled</i> )	325° F / 162° C	2 – 3 Minutes
<b>PANCAKES</b>	375° F / 190° C	1 – 3 Minutes
<b>HAMBURGER</b> ( <i>1/2-inch Thick</i> )	375° F / 190° C	<b>Rare</b> 4 – 8 Minutes <b>Well Done</b> 9 – 12 Minutes
<b>HAM</b> ( <i>1/2-inch – 1/4-inch Slices</i> )	325° F / 162° C	10 – 20 Minutes
<b>POTATOES</b> ( <i>Country Fried</i> ) ( <i>Crispy Brown</i> )	325° F / 162° C 350° F / 175° C	10 – 12 Minutes 10 – 12 Minutes
<b>SAUSAGE</b>	340° F / 170° C	12 – 15 Minutes
<b>FISH</b>	375° F / 190° C	5 – 8 Minutes
<b>PORK CHOPS</b> ( <i>Breaded</i> ) ( <i>Brown</i> )	375° F / 190° C 225° F / 110° C	10 – 15 Minutes 30 – 40 Minutes
<b>CUBE OR MINUTE STEAK</b>	400° F / 205° C	2 – 4 Minutes
<b>LIVER</b> ( <i>Calf's, Lamb or Tender Beef</i> )	350° F / 175° C	5 – 10 Minutes
<b>FRENCH TOAST</b>	325° F / 162° C	4 – 6 Minutes
<b>CRUSTY CHICKEN</b> ( <i>Use 4 Tbsp. Oil</i> ) Do Not add water	400° F / 200° C 300° F / 150° C	12 – 18 Minutes 10 – 15 Minutes

## One-Year Limited Lifetime Warranty

Sunbeam Products, Inc. doing business as Jarden Consumer Solutions or if in Canada, Sunbeam Corporation (Canada) Limited doing business as Jarden Consumer Solutions (collectively "JCS") warrants that for a period of one year from the date of purchase, this product will be free from defects in material and workmanship. JCS, at its option, will repair or replace this product or any component of the product found to be defective during the warranty period. Replacement will be made with a new or remanufactured product or component. If the product is no longer available, replacement may be made with a similar product of equal or greater value. This is your exclusive warranty. Do NOT attempt to repair or adjust any electrical or mechanical functions on this product. Doing so will void this warranty.

This warranty is valid for the original retail purchaser from the date of initial retail purchase and is not transferable. Keep the original sales receipt. Proof of purchase is required to obtain warranty performance. JCS dealers, service centers, or retail stores selling JCS products do not have the right to alter, modify or any way change the terms and conditions of this warranty.

This warranty does not cover normal wear of parts or damage resulting from any of the following: negligent use or misuse of the product, use on improper voltage or current, use contrary to the operating instructions, disassembly, repair or alteration by anyone other than JCS or an authorized JCS service center. Further, the warranty does not cover: Acts of God, such as fire, flood, hurricanes and tornadoes.

### What are the limits on JCS's Liability?

JCS shall not be liable for any incidental or consequential damages caused by the breach of any express, implied or statutory warranty or condition.

Except to the extent prohibited by applicable law, any implied warranty or condition of merchantability or fitness for a particular purpose is limited in duration to the duration of the above warranty.

JCS disclaims all other warranties, conditions or representations, express, implied, statutory or otherwise.

JCS shall not be liable for any damages of any kind resulting from the purchase, use or misuse of, or inability to use the product including incidental, special, consequential or similar damages or loss of profits, or for any breach of contract, fundamental or otherwise, or for any claim brought against purchaser by any other party.

Some provinces, states or jurisdictions do not allow the exclusion or limitation of incidental or consequential damages or limitations on how long an implied warranty lasts, so the above limitations or exclusion may not apply to you.

This warranty gives you specific legal rights, and you may also have other rights that vary from province to province, state to state or jurisdiction to jurisdiction.

### How To Obtain Warranty Service

#### In the U.S.A.

If you have any question regarding this warranty or would like to obtain warranty service, please call 1-800-334-0759 and a convenient service center address will be provided to you.

#### In Canada

If you have any question regarding this warranty or would like to obtain warranty service, please call 1-800-667-8623 and a convenient service center address will be provided to you.

In the U.S.A., this warranty is offered by Sunbeam Products, Inc. doing business as Jarden Consumer Solutions located in Boca Raton, Florida 33431. In Canada, this warranty is offered by Sunbeam Corporation (Canada) Limited doing business as Jarden Consumer Solutions, located at 20 B Hereford Street, Brampton, Ontario L6Y 0M1. If you have any other problem or claim in connection with this product, please write our Consumer Service Department.

**PLEASE DO NOT RETURN THIS PRODUCT TO ANY OF THESE ADDRESSES OR TO THE PLACE OF PURCHASE.**

# RECIPES

## APPLE NUT PANGAKES

2 tablespoons butter or margarine	2/3 cup milk
1/2 cup plus 2 tablespoons all-purpose flour	1/2 teaspoon vanilla
1 1/2 teaspoons sugar	1 egg
2 teaspoons baking powder	Vegetable oil
2 tablespoons chopped pecans or walnuts	1/2 cup peeled and finely chopped apple
Dash nutmeg	1/4 teaspoon cinnamon

Melt butter. Set aside to cool slightly. Combine flour, sugar, baking powder and spices in a small bowl. Combine melted butter and milk in mixing bowl. Add egg and beat lightly to combine. Blend in flour mixture, stirring just until combined. Fold in apple and nuts. Preheat skillet to 325°F. Brush lightly with oil. Pour about 1/4 cup batter for each pancake. Cook until bubbles come to the surface and the bottom is golden brown, about 2 minutes. Serve 3 warm with maple syrup for breakfast or brunch or top with ice cream, additional nuts and caramel syrup for dessert.

## CLASSIC FRENCH TOAST

1 egg, slightly beaten	1 tablespoon butter or margarine
1/3 cup milk	2 slices French bread, sliced 1-inch thick
1/4 teaspoon vanilla extract	Dash nutmeg or cinnamon
Confectioner's sugar	Maple syrup
1/2 teaspoon vanilla	

Combine egg, milk, spices and sugar in shallow pan. Preheat skillet to 325°F. Add butter to skillet. Dip both sides of bread quickly into egg mixture then place in skillet. Cook 2 to 3 minutes per side or until bread is golden brown. Dust each piece lightly with confectioner's sugar and serve with maple syrup.

# RECIPES

## DENVER OMELET

1/2 cup diced, cooked ham	3 eggs
1/4 cup chopped green bell pepper	2 tablespoons water
1/4 cup sliced fresh mushrooms	1/2 teaspoon salt
1 green onion, sliced	Dash cayenne pepper
1 tablespoon butter or margarine	1/2 cup (1-ounce) cheddar cheese, shredded

Set skillet temperature to 325°F. Add ham, green bell pepper, mushrooms, onions and butter. Sauté 2 minutes stirring frequently. Arrange vegetables in an even layer. Lightly beat eggs with water, salt and cayenne pepper; pour egg mixture over ham and vegetables. Cover and cook 4 minutes or until eggs are set. Sprinkle with cheese, cover and cook additional 2 minutes. To serve, slice omelet in half then gently fold each part in half. Lift oldest from skillet with a spatula.

## CHEESE AND BACON POTATOES

6 slices bacon	1/4 cup onion, finely chopped
4 large potatoes, thinly sliced with skins on	1 1/2 cups (6-ounces) cheddar cheese, shredded
1 can (4 ounces) chopped green chilies	

Place bacon in cold skillet. Set skillet temperature to 325°F. Fry bacon until crisp, remove and drain. Carefully remove grease, reserving 2 tablespoons bacon grease in skillet. Add potatoes to skillet; cover and cook 10 minutes. Turn potatoes and cook an additional 5 minutes. Crumble bacon and combine with green chiles and onion. Sprinkle over potatoes. Top with cheese; cover and cook 5 more minutes.

# RECIPES

## PASTA WITH PEPPERS AND CHICKEN

1 clove garlic, minced	Pinch ground red pepper
1 tablespoon olive oil	Salt and ground black pepper to taste
1 whole boneless, skinless chicken breast, cut into 1/2-inch x 2-inch strips	1 1/2 teaspoons cornstarch
1 cup sliced red, green or yellow cooled and drained bell pepper (or combination)	3/4 cup chicken broth
1/2 teaspoon basil	4 ounces linguine or fettuccine,

Set skillet temperature to 325°F. Add garlic and oil and sauté 2 minutes. Add chicken; cook and stir for 5 minutes. Stir in bell peppers and allow to cook additional 2 minutes or until vegetables are crisp tender and chicken is done. Reduce temperature to 250° F / 120° C. Blend seasonings and cornstarch into chicken broth, stirring until well blended. Pour broth mixture into skillet. Heat, stirring gently, 1 minute or until mixture is hot and thickened. Serve over pasta. Makes 2 servings.

## PORK CHOPS WITH SPANISH RICE

2 to 4 center cut pork chops, about 1/2 - inch thick	1/3 cup raw long grain rice
1/3 cup chopped onion	1/2 teaspoon chili powder
1/4 cup chopped green bell pepper	1 can (14 1/2-ounces) whole tomatoes

Set skillet temperature to 325°F. Add chops and cook on first side 5 minutes. Turn chops; add onion and green bell pepper. Cook, stirring vegetables occasionally, 2 minutes. Reduce temperature to "WARM". Add rice, chili powder and tomatoes and stir to blend into vegetables. Cover and cook 25 to 30 minutes, stirring occasionally.

# RECIPES

## EASY BEEF FAJITAS

Juice of 2 limes	1/2 green or red bell pepper, thinly sliced
2 tablespoon olive oil	4 flour tortillas
1/2 teaspoons ground cumin	1/2 cup (2-ounces) monterey jack or cheddar cheese, shredded
1/4 teaspoon salt	Guacamole optional
1 clove garlic minced	Salsa optional
1/2 teaspoon red pepper flakes	Sour cream optional
Freshly ground black pepper to taste	Chopped tomatoes optional
1/3 -lb. top round steak, thinly sliced	
1 small onion, thinly sliced	

Combine lime juice, 1 tablespoon olive oil, cumin, salt, garlic, red pepper and black pepper in a bowl. Add beef and allow to stand, at room temperature, for 30 minutes. Set skillet temperature to 325°F. Add remaining 1 tablespoon olive oil, onion and pepper and stir gently. Cover and cook 1 to 2 minutes or until vegetables are tender. Remove vegetables and keep warm. Drain meat, discard marinade and place meat in skillet, sauté meat 7 to 9 minutes or until done. Meanwhile wrap tortillas in aluminum foil and heat in oven for 5 minutes. To assemble, spoon about 1/4 of meat and vegetables into center of each warmed tortilla. Sprinkle with 2 tablespoons cheese. Roll tortilla and place on serving plate. Garnish, as desired, with guacamole, salsa, sour cream and/or chopped tomatoes.

# NOTES

## PRECAUCIONES IMPORTANTES

Obedezca siempre las precauciones elementales de seguridad cuando vaya a hacer uso de su tostadora, incluyendo las siguientes:

### LEA TODAS LAS INSTRUCCIONES ANTES DE USAR

- Asegúrese que los mangos de la sartén estén montados y ajustados adecuadamente.
- No toque superficies calientes, utilice agarraderas.
- Como protección contra choques eléctricos, no sumerja el controlador de la temperatura, el cable o el enchufe en agua u otros líquidos.
- Nunca deje la unidad sin supervisión si la utilizan los niños o si la misma se utiliza cerca de ellos.
- Desenchufe el electrodoméstico del tomacorriente cuando no esté en uso y antes de limpiar. Deje que la unidad se enfríe antes de quitar o agregar piezas y antes de limpiarla.
- No opere ningún electrodoméstico que tenga el cable o enchufe dañado, si la unidad no funciona correctamente o se ha dañado de alguna manera. Envíelo a un Centro de Servicio autorizado para que lo revisen, reparen o para un ajuste eléctrico o mecánico. Para ubicar el centro de servicio más cercano, llame al 1.800.334.0759.
- El uso de accesorios no recomendados por el fabricante del electrodoméstico puede causar heridas.
- No lo use al aire libre.
- No permita que el cable cuelgue por sobre el mostrador o la mesa ni toque superficies calientes.
- No lo coloque cerca o sobre una estufa a gas o eléctrica o en el horno caliente.
- Use suma precaución al desplazar el electrodoméstico si contiene aceite caliente o cualquier otro líquido caliente.
- Siempre coloque el controlador de temperatura en el electrodoméstico primero, luego enchúfelo al tomacorriente de la pared. Para desconectar, páguelo, quite el enchufe del tomacorriente de la pared y quite el controlador de temperatura del electrodoméstico.
- Sólo use el electrodoméstico con el Controlador de Temperatura OSTER™.
- No use el electrodoméstico para un propósito distinto para el cual fue diseñado.
- Es recomendable no cocinar con la Sartén Eléctrica colocada sobre superficies sensibles al calor.
- Para prevenir riesgo de quemaduras, nunca llene la Sartén Eléctrica con aceite por mas de ½ pulgada (12.7 mm) de altura.

**ESTA UNIDAD ES SÓLO PARA  
USO DOMÉSTICO**

## CÓMO USAR UN CABLE ELÉCTRICO CORTO

Se provee un cordón eléctrico corto para reducir el riesgo de enredos o tropiezos que pudiese ocasionar un cordón largo. No use una extensión de cordón.

## GUARDE ESTAS INSTRUCCIONES

### PARA PRODUCTOS COMPRADOS EN ESTADOS UNIDOS Y CANADÁ ÚNICAMENTE

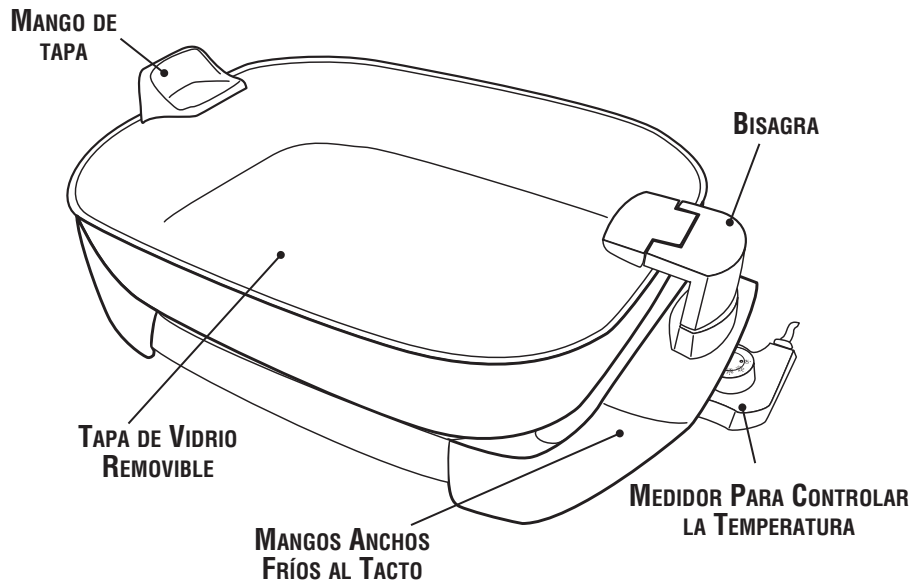
Para reducir el riesgo de descargas eléctricas, este aparato cuenta con una clavija polarizada (una cuchilla es más ancha que otra). Como medida de seguridad, esta clavija entra sólo de una manera en un enchufe polarizado. Si la clavija no encaja en el enchufe simplemente colóquela al revés. Si aun así no encaja llame a un electricista calificado.

**DE NINGUNA MANERA INTENTE MODIFICAR ESTA MEDIDA DE SEGURIDAD. NO MODIFIQUE EL ENCHUFE EN NINGUNA FORMA.**

## BIENVENIDOS

¡Felicitaciones en su compra de una Sartén Eléctrica OSTER®. Para aprender más sobre productos OSTER®, por favor visítenos en [www.oster.com](http://www.oster.com)!

## PIEZAS DE LA SARTÉN ELÉCTRICA



## INTRODUCCIÓN

### CONDICIONAMIENTO DE LA SARTÉN CON RECUBRIMIENTO ANTIADHERENTE

Antes de usar el electrodoméstico nuevo, lave el interior de la sartén con agua y jabón tibia y seque. Antes de lavar la sartén, debe quitar el controlador. Frote una película de aceite de cocina o para ensalada sobre el recubrimiento antiadherente dentro de la sartén. Quite el exceso de aceite con un paño o toalla de papel.

La Sartén Eléctrica OSTER® está ahora lista para usar y no es necesario acondicionarla nuevamente.

## CÓMO USAR LA SARTÉN ELÉCTRICA

1. Introduzca el controlador de temperatura firmemente en su enchufe en la parte lateral del electrodoméstico. Enchufe en un tomacorriente de 120 Voltios de CA.
2. Para fijar la temperatura deseada gire la perilla del controlador de temperatura. Se encenderá la luz indicadora. Fije la temperatura de su preferencia en el lado opuesto a la luz indicadora. Se apagará la luz cuando se ha alcanzado la temperatura deseada. Durante la cocción, la luz irá en un ciclo de encendida a apagada indicando que la temperatura se está manteniendo. Este libro ofrece una guía para la elección de la temperatura.
3. No se recomienda usar la Sartén Eléctrica Tapa con Bisagras sobre superficies sensibles a la temperatura.
4. Para cocinar a fuego lento, coloque la perilla de control de la temperatura en 300°F/150°C o FUEGO LENTO (SIMMER) y espere que el líquido hierva. Gire la perilla hacia el selector TIBIO (WARM). Coloque la perilla en este punto cada vez que la receta indique FUEGO LENTO.
5. No use utensilios de metal en su Sartén Eléctrica Tapa con Bisagras, ya que pueden dañar el recubrimiento antiadherente. Se recomienda usar espátulas de madera o plástico. Si usa utensilios de plástico, verifique que sean aptos para superficies calientes.
6. Para retirar el control de la temperatura, primero desenchufe del tomacorriente de pared y luego jale.



La tapa con bisagras fue diseñada especialmente para preparar y servir la comida con mayor facilidad

- Para colocar la tapa, asegúrese de alinear la bisagra de la tapa de forma que pueda deslizarse hacia abajo encajando dentro de la bisagra de la base que calienta. (ver Fig.1).
- Cuando levante y baje la tapa, utilice siempre la perilla que eleva la tapa (ver Fig. 2)

**Nota:** La tapa abre fuera del alcance del vapor.

- Para sacar la tapa, utilice ambas manos para levantarla suavemente y sacarla. (ver Fig. 3).

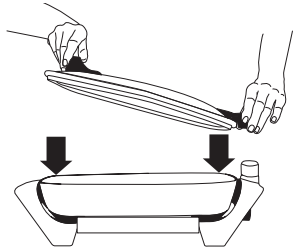


Fig. 1

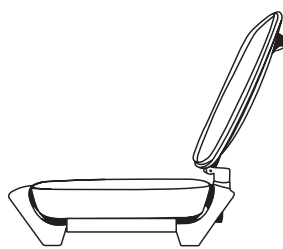


Fig. 2

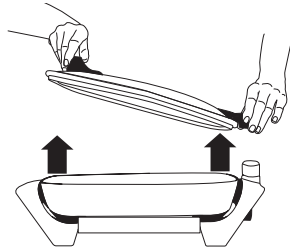


Fig. 3

## LIMPIANDO EL APARATO

### DESENCHUFE EL CABLE Y REMUEVA EL MEDIDOR PARA CONTROLAR LA TEMPERATURA

Apague. Retire el enchufe del tomacorriente de pared y retire el medidor del control de temperatura. Permita que el aparato se enfríe. Lave la olla y la tapa con agua caliente jabonosa. Puede sumergir la olla por completo o meterla en el lavaplatos. La tapa también se puede lavar en el lavaplatos pero debe colocarla **SOLAMENTE EN LA REJILLA SUPERIOR. NO COLOQUE LA TAPA HACIA ABAJO EN LA REJILLA INFERIOR DEL LAVAPLATOS.** Para limpiar residuos de comida muy difíciles, use una esponja de nylon. **NUNCA** use limpiadores abrasivos en polvo o esponjas de metal dado que estos dañarán el acabado antiadherente. Luego de lavar, seque la olla minuciosamente, teniendo cuidado con los postes y el enchufe eléctrico. **NO USE ESPONJAS DE METAL PARA LIMPIAR LOS POSTES ELÉCTRICOS.** Limpie el control con una tela húmeda. No sumerja el cordón o el control en agua.

### ALMACENAMIENTO Y MANTENIMIENTO

Desenchufe el cordón y retire el medidor del control de temperatura. Permita que el aparato se enfríe antes de almacenar. Guarde su Sartén Eléctrica y Tapa con Bisagra en un lugar seco, como el tablero de cocina, o sobre una repisa. Enrolle el cordón eléctrico en un ovillo suelto y asegúrelo con un seguro de plástico. Para mayor conveniencia, el medidor del control de temperatura y el cordón pueden guardarse dentro de la sartén.

Salvo por la limpieza recomendada, no se requiere ningún mantenimiento especial.

## CARTA DE COMIDA

TIPO DE ALIMENTO	TEMPERATURA	TIEMPO APROXIMADO
<b>TOCINO</b>	350°F / 175°C	5 – 8 Minutos
<b>HUEVOS</b> (Fritos)	300°F / 150°C	3 – 5 Minutos
<b>HUEVOS</b> (Revueltos)	325°F / 162°C	2 – 3 Minutos
<b>PANQUEQUES</b>	375°F / 190°C	1 – 3 Minutos
<b>HAMBURGUESAS</b> (1/2-Pulgada de Grosor)	375°F / 190°C	<b>Poco Cocida</b> 4 – 8 Minutos <b>Bien Cocida</b> 9 – 12 Minutos
<b>JAMÓN</b> (1/2-pulg. a 1/4 -pulg. en Fetas)	325°F / 162°C	10 – 20 Minutos
<b>PAPAS</b> (papas fritas en cubos estilo desayuno) (Doradas y Crocantes)	325°F / 162°C 350°F / 175°C	10 – 12 Minutos 10 – 12 Minutos
<b>SALCHICHA</b>	340°F / 170°C	12 – 15 Minutos
<b>PESCADO</b>	375°F / 190°C	5 – 8 Minutos
<b>CHULETAS DE CERDO</b> (empanizadas) (doradas)	375°F / 190°C 225°F / 110°C	10 – 15 Minutos 30 – 40 Minutos
<b>BISTEC EN CUBOS O BISTEC DELGADO</b>	400°F / 205°C	2 – 4 Minutos
<b>HÍGADO</b> (Bife de Ternero, Cordero o Tierno)	350°F / 175°C	5 – 10 Minutos
<b>TOASTADA FRANCESA</b>	325°F / 162°C	4 – 6 Minutos
<b>POLLO CROCANTE</b> (Use 4 Cu. de Aceite) No Agregue Aguar	400°F / 200°C 300°F / 150°C	12 – 18 Minutos 10 – 15 Minutos

## Garantía Limitada de 1 Año

Sunbeam Products, Inc. operando bajo el nombre de Jarden Consumer Solutions, o en Canadá, Sunbeam Corporation (Canada) Limited operando bajo el nombre de Jarden Consumer Solutions, (en forma conjunta, "JCS"), garantiza que por un período de un año a partir de la fecha de compra, este producto estará libre de defectos de materiales y mano de obra. JCS, a su elección, reparará o reemplazará este producto o cualquier componente del mismo que presente defectos durante el período de garantía. El reemplazo se realizará por un producto o componente nuevo o reparado. Si el producto ya no estuviera disponible, se lo reemplazará por un producto similar de valor igual o superior. Ésta es su garantía exclusiva. No intente reparar o ajustar ninguna función eléctrica o mecánica de este producto. Al hacerlo eliminará ésta garantía.

La garantía es válida para el comprador minorista original a partir de la fecha de compra inicial y la misma no es transferible. Conserve el recibo de compra original. Para solicitar servicio en garantía se requiere presentar un recibo de compra. Los agentes y centros de servicio de JCS o las tiendas minoristas que venden productos de JCS no tienen derecho a alterar, modificar ni cambiar de ningún otro modo los términos y las condiciones de esta garantía.

Esta garantía no cubre el desgaste normal de las piezas ni los daños que se produzcan como resultado de uso negligente o mal uso del producto, uso de voltaje incorrecto o corriente inapropiada, uso contrario a las instrucciones operativas, y desarme, reparación o alteración por parte de un tercero ajeno a JCS o a un Centro de Servicio autorizado por JCS. Asimismo, la garantía no cubre actos fortuitos tales como incendios, inundaciones, huracanes y tornados.

### ¿Cuál es el límite de responsabilidad de JCS?

JCS no será responsable de daños incidentales o emergentes causados por el incumplimiento de alguna garantía o condición expresa, implícita o legal.

Excepto en la medida en que lo prohíba la ley aplicable, cualquier garantía o condición implícita de comerciabilidad o aptitud para un fin determinado se limita, en cuanto a su duración, al plazo de la garantía antes mencionada.

JCS queda exenta de toda otra garantías, condiciones o manifestaciones, expresa, implícita, legal o de cualquier otra naturaleza.

JCS no será responsable de ningún tipo de daño que resulte de la compra, uso o mal uso del producto, o por la imposibilidad de usar el producto, incluidos los daños incidentales, especiales, emergentes o similares, o la pérdida de ganancias, ni de ningún incumplimiento contractual, sea de una obligación esencial o de otra naturaleza, ni de ningún reclamo iniciado contra el comprador por un tercero.

Algunas provincias, estados o jurisdicciones no permiten la exclusión o limitación de los daños incidentales o emergentes ni las limitaciones a la duración de las garantías implícitas, de modo que es posible que la exclusión o las limitaciones antes mencionadas no se apliquen en su caso.

Esta garantía le otorga derechos legales específicos y es posible que usted tenga otros derechos que varían de un estado, provincia o jurisdicción a otro.

### Cómo solicitar el servicio en garantía

#### En los Estados Unidos

Si tiene alguna pregunta sobre esta garantía o desea recibir servicio de garantía, llame al 1-800-334-0759 y podrá obtener la dirección del centro de servicio que le resulte más conveniente

#### En Canadá

Si tiene alguna pregunta sobre esta garantía o desea recibir servicio de garantía, llame al 1-800-667-8623 y podrá obtener la dirección del centro de servicio que le resulte más conveniente

En los Estados Unidos, esta garantía es ofrecida por Sunbeam Products, Inc. operando bajo el nombre de Jarden Consumer Solutions, Boca Ratón, Florida 33431. En Canadá, esta garantía es ofrecida por Sunbeam Corporation (Canada) Limited operando bajo el nombre de Jarden Consumer Solutions, 20 B Hereford Street, Brampton, Ontario L6Y 0M1. Si usted tiene otro problema o reclamo en conexión con este producto, por favor escriba al Departamento de Servicio al Consumidor.

**POR FAVOR NO DEVUELVA ESTE PRODUCTO A NINGUNA DE ESTAS DIRECCIONES NI AL LUGAR DE COMPRA**

Download from [Www.Somanuals.com](http://Www.Somanuals.com). All Manuals Search And Download.

# RECETAS

## PANCAKES DE MANZANA Y NUECES

2 cucharadas de mantequilla o margarina	2/3 taza de leche
1/2 taza más 2 cucharadas de harina para todo propósito	1/2 cucharadita de vainilla
1 1/2 cucharadita de azúcar	1 huevo
2 cucharaditas de polvo de hornear	Aceite vegetal
2 cucharadas de nueces pecán o nueces del nogal picadas	1/2 taza de manzana pelada y finamente picada
Una pizca de nuez moscada	1/4 cucharadita de canela

Derrita la mantequilla. Deje a un lado para que se enfríe ligeramente. Combine la harina, el azúcar, el polvo de hornear y las especias en un tazón pequeño. Combine la mantequilla derretida y la leche en un tazón de mezclar. Agregue los huevos y bata ligeramente para mezclar. Agregue en la mezcla de harina, revolviendo hasta que esté combinada. Incorpore las manzanas y las nueces. Precaliente el sartén a 350°F. Unte ligeramente con aceite. Vierta cerca de 1/4 taza de mezcla para cada pancake. Cocine hasta que se formen burbujas en la superficie y la parte de abajo esté dorada, unos 2 minutos. Sirva 3 pancakes, calientes con sirope de arce para desayuno o brunch o cubra con helado, más nueces y sirope de caramelo como postre.

## TOSTADA A LA FRANCESA CLÁSICA

1 huevo, ligeramente batido	1 cucharada de mantequilla o margarina
1/3 taza de leche	2 rebanadas de pan francés, en rodajas de 1 pulgada
1/4 cucharadita de extracto de vainilla	Una pizca de nuez moscada o canela
Azúcar pulverizada	
1/2 cucharadita de vainilla	
Sirope de arce	

Combine el huevo, la leche, las especias y el azúcar en un recipiente poco profundo. Precaliente el sartén a 350°F. Agregue la mantequilla al sartén. Sumerja rápidamente ambos lados del pan dentro de la mezcla de huevo, y luego coloque en el sartén. Cocine por 2 a 3 minutos por lado o hasta que el pan esté dorado. Espolvoree cada pieza ligeramente con azúcar pulverizada y sirva con sirope de arce.

# RECETAS

## TORTILLA DENVER

1/2 taza de jamón cocido en cuadritos	3 huevos
1/4 taza de pimiento verde picado	2 cdas. de agua
1/4 taza de champiñones frescos rebanados	1/2 cdita. sal
una pizca de pimienta de cayena	1 cebollín en rueditas
1/2 taza (1 oz.) de queso cheddar, rallado	1 cda. de mantequilla o margarina

Ajuste la temperatura de la sartén a 325°F. Agregue el jamón, pimientos, champiñones, cebollas y la mantequilla. Sofría 2 minutos revolviendo frecuentemente. Arregle los vegetales en una capa uniforme. Bata ligeramente los huevos con el agua, sal, y la pimienta de cayena; vierta la mezcla de huevo sobre el jamón y los vegetales. Tape y cocine 4 minutos o hasta que los huevos estén listos. Espolvoree con queso, tape y cocine 2 minutos adicionales. Para servir, corte la tortilla por la mitad y luego doble suavemente cada parte sobre su otra mitad. Utilice una espátula para levantarlas de la sartén.

## PAPAS CON QUESO Y TOCINO

6 rebanadas de tocino	1/4 taza de cebolla picada muy fino
4 papas grandes, rebanadas delgadas con piel	1 1/2 tazas (6 oz.) queso cheddar rallado
1 lata (4 oz.) de chiles verdes picados	

Coloque las rebanadas de tocino en la sartén fría. Ajuste la temperatura de la Sartén a 325°F. Fría el tocino hasta que esté crocante, remueva y cuele. Cuidadosamente remueva la grasa, reservando 2 cucharadas de la grasa dentro de la sartén. Agregue las papas a la sartén; cubra y cocine por 10 minutos. Voltee las papas y cocine otros 5 minutos. Desmenuce el tocino y mézclalo con los chiles y la cebolla. Espolvoreelos sobre las papas. Cubra con el queso; tape y cocine 5 minutos más.

# RECETAS

## PASTA CON PIMIENTOS Y POLLO

1 diente de ajo, machacado	Una pizca de pimienta roja molida
1 cda. de aceite de oliva	Sal y pimienta negra molida al gusto
1 pechuga de pollo entera, sin piel, sin huesos, cortadas en tiras de 1/2 x 2 pulgadas	1 1/2 cdita de maicena
1 taza de pimientos rojos, verdes o amarillos (o combinados)	3/4 taza de caldo de pollo
	4 de linguine o fettuccine enfriados y escurridos
	1/2 cdita. de albahaca

Ajuste la temperatura de la sartén a 325°F. Añada el ajo y el aceite y sofría 2 minutos. Agregue el pollo; cocine y revuelva por 2 minutos. Incorpore los pimientos revolviendo y cocine 2 minutos más o hasta que los vegetales estén tiernos y crocantes y el pollo cocido. Reduzca la temperatura a 250 ° F/ 120 °C. Aparte mezcle los aderezos y la maicena dentro del caldo de pollo, revolviendo hasta que estén bien disueltos. Vierta la mezcla del caldo dentro de la sartén. Caliente, revuelva suavemente por 1 minuto o hasta que la mezcla esté caliente y espesa. Sirva sobre pasta. Alcanza para 2 porciones.

## CHULETAS DE PUERCO CON ARROZ ESPA—OL

2 a 4 centros de chuletas de puerco, grandes alrededor de 1/2 - pulg. de espesor	1/4 tazas de arroz crudo de granos
1/3 taza de cebolla picada	1/2 cdita. de chile en polvo
1/4 de pimientos verdes picados	1 lata de tomates enteros (14 1/2 oz.)

Ajuste la temperatura de la Sartén a 325°F. Agregue el aceite. Arregle las presas de pollo, con la piel para abajo en la sartén. Cocine el pollo hasta que esté dorado de un lado, alrededor de 5 minutos. Voltee el pollo. Agregue la cebolla y el ajo alrededor del pollo. Cocine 3 minutos, o hasta que las cebollas estén cocidas pero no doradas. Reduzca la temperatura a "WARM". Agregue los ingredientes restantes, excepto el spaghetti. Tape y cocine de 30 a 40 minutos, o hasta que el pollo esté cocido. Revuelva la salsa y bañe el pollo ocasionalmente con la misma. Sirva el pollo con su salsa sobre spaghetti u otra pasta.

# RECETAS

## FAJITAS DE CARNE FÁCILES

Jugo de 2 limones fino	1/2 pimiento verde o rojo, rebanado
2 cdas. de aceite de oliva	4 tortillas de harina
1/2 cdita. de comino molido	1/2 taza (2 oz.) de queso monterey jack o cheddar, rallado
1/4 cdita. de sal	Guacamole (opcional)
1 diente de ajo	Salsa (opcional)
1/2 cdita de pimienta roja desmenuzada	Crema agria (opcional)
Pimienta negra fresca molida al gusto	Tomates en cuadritos (opcional)
1 cebolla pequeña, rebanada fino	1/3 de libra de carne cortada en lonjas finas

Mezcle el jugo de limón, 1 cda. de aceite de oliva, comino, sal, ajo, pimienta roja y pimienta negra en un recipiente. Añada la carne y déjela reposar a temperatura ambiente, por 30 minutos. Ajuste la temperatura de la sartén a 325°F. Agregue la cucharada de aceite de oliva restante, la cebolla, pimientos y revuelva suavemente. Tape y cocine 1 a 2 minutos o hasta que los vegetales estén tiernos. Remueva los vegetales y manténgalo caliente. Escorra la carne, desechando los ingredientes que la marinaron y colóquela en la sartén, sofría la carne 7 a 9 minutos o hasta que esté listo, mientras tanto envuelva las tortillas en papel de aluminio y caliéntelas en el horno por 5 minutos. Para su preparación, ponga cucharadas de 1/4 de carne y vegetales en el centro de cada tortilla caliente. Espolvoree con 2 cdas. de queso. Enrolle la tortilla y colóquela en un plato de servir. Adorne, si desea, con guacamole, salsa, crema agria y/o tomate en cuadritos.

# NOTAS

## Free Manuals Download Website

<http://myh66.com>

<http://usermanuals.us>

<http://www.somanuals.com>

<http://www.4manuals.cc>

<http://www.manual-lib.com>

<http://www.404manual.com>

<http://www.luxmanual.com>

<http://aubethermostatmanual.com>

Golf course search by state

<http://golfingnear.com>

Email search by domain

<http://emailbydomain.com>

Auto manuals search

<http://auto.somanuals.com>

TV manuals search

<http://tv.somanuals.com>