

Oster®

10 CUP PROFESSIONAL FOOD PROCESSOR
PROCESADORA DE ALIMENTOS CON CAPACIDAD PARA 10 TAZAS

User Guide/ Guía del Usuario:

FPSTFP4600



Safety
Seguridad



How to use
Cómo usar



Cleaning
Cuidado y Limpieza



Recipes
Recetas



Warranty
Garantía

www.oster.com

IMPORTANT SAFEGUARDS

When using electrical appliances, basic safety precautions should always be followed including the following:

1. **Read all instructions before use.**
2. To protect against risk of electrical shock, do not put food processor in water or any other liquid. This may cause personal injury or damage to the product.
3. Close supervision is necessary when using this appliance near children.
4. Unplug from outlet when not in use, before putting on or taking off parts and before cleaning.
5. Do not contact moving parts.
6. Do not operate food processor with a damaged cord or plug or after the appliance malfunctions, or is dropped or damaged in any manner. Return appliance to the nearest authorized service center for examination, repair or mechanical adjustment.
7. The use of attachments not recommended or sold by the manufacturer may cause fire, electrical shock or injury.
8. Do not let cord touch hot surfaces or hang over table edges or counters.
9. Do not use your food processor if any part is broken.
10. Do not use outdoors or for commercial purposes.
11. Keep hands and utensils away from moving blades or discs while processing food to reduce the risk of severe injury to persons or damage to the food processor. A scraper may be used but must be used only when the food processor is not running.
12. Blade and processing disc are sharp. Handle carefully.
13. To reduce the risk of injury to persons, never place cutting blade on motor base without first putting container properly in place.
14. Be certain container cover is securely locked in place while operating appliance.
15. Never feed food into food chute by hand, always use the food pusher.
16. Be sure to turn off the food processor after each use.
17. Do not use this appliance for other than its intended use.
18. Do not attempt to defeat the cover interlock mechanism.
19. **The small pusher should only be used in combination with the large pusher.
Do not use this piece by itself.**

SAVE THESE INSTRUCTIONS



THIS UNIT IS INTENDED FOR HOUSEHOLD USE ONLY.

This appliance has a polarized alternating current plug (one blade is wider than the other). To reduce the risk of electric shock, as a safety feature, this plug will fit in a polarized outlet only one way. If the plug does not insert fully in the outlet, reverse the plug. If it still fails to fit, contact a qualified electrician. Do not modify the plug in any way.

DO NOT ATTEMPT TO DEFEAT THIS SAFETY FEATURE.

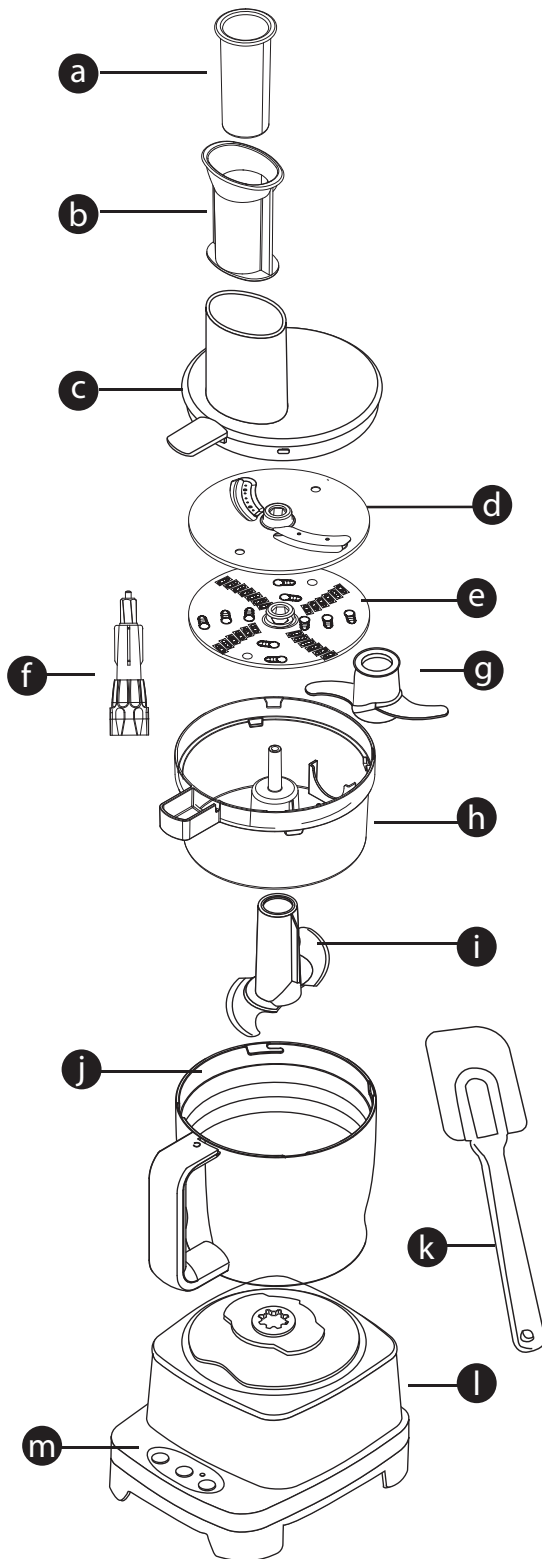
EXTENSION CORD USE

A short power-supply cord is provided to reduce the risk resulting from becoming entangled in or tripping over a longer cord. An extension cord may be used if care is exercised in its use. If an extension cord is used, the electrical rating of the cord must be at least as great as the electrical rating of the appliance. The extension cord should be arranged so that it will not drape over the countertop or tabletop where it can be pulled on by children or tripped over unintentionally.

Thank you for purchasing the OSTER® 10 Cup Professional Food Processor. Before you use this product for the first time, please take a few moments to read these instructions and keep it for reference. Pay particular attention to the Safety Instructions provided. Please review the product service and warranty statements. Please do not return to the place of purchase. To learn more about Oster® products, please visit us at www.oster.com or call us at 1-800-334-0759.



LEARNING ABOUT YOUR 10 CUP FOOD PROCESSOR



- a** Small Food Pusher
- b** Large Food Pusher
- c** Food Chute Lid
- d** Slice Disc
- e** Shred Disc
- f** Disc Stem
- g** Dough Blade
- h** Accessory Storage Bowl
- i** Multi-purpose Blade
- j** Bowl
- k** Spatula
- l** Base
- m** Control panel





BEFORE USING YOUR OSTER® FOOD PROCESSOR

- When unpacking the product and removing packing material, handle the chopping blade and slice/shred discs carefully: they are very sharp.
- Wash all parts except the Base in hot, soapy water. Rinse them dry. These parts can also be placed in the dishwasher. Be sure to read the Care & Cleaning Section of this manual to learn the correct methods for taking the unit apart and cleaning.



HOW TO:

Using Your Food Processor

NOTE: Do not attempt to chop ice in this food processor; it will damage the bowl and dull the Chopping Blade. This unit will not whip cream, beat egg whites, grind coffee beans, spices or other items with high oil content, or slice or shred hard-cooked eggs, marshmallows, or soft cheeses.

Important: For your protection, this unit has an interlock system. **The processor will not operate unless the bowl is properly locked onto the base and cover is properly locked onto the bowl.** Do not attempt to operate the unit without the bowl lid, bowl and food chute lid correctly in place. Be sure base is on a flat, dry and clean surface before you begin processing.

NOTE: Before you begin, PLEASE BE SURE THAT THE ELECTRIC CORD IS UNPLUGGED.

- 1 Using the PULSE control: You can control the texture of processed foods better by using the PULSE button on your food processor. Simply press and release to quickly turn the food processor on and off. This allows you to check processed results and control the consistency. For longer processing, continue pressing the PULSE button.

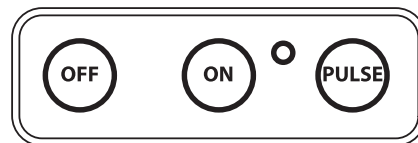


Figure 1

- 2 Using the ON (Continuous) control: Add ingredients through the feed tube; remove the pusher and fill the feed tube as directed (see How to Slice or Shred). Engage the pusher and press the ON button. The LED will turn on and the motor will start. Press the Pusher firmly down until all ingredients have passed into the work bowl. Remove the Pusher and refill ingredients as needed. Press the OFF button when finished.
- 3 Off Setting- Processor should always be in the OFF position when not in use.



How To Assemble The Bowl

Be sure the unit is unplugged. Put the bowl on top of the food processor base, with the work bowl handle just to the right of center. Turn the bowl clockwise until the bowl clicks into place. The handle should now be aligned with the center of the control panel. (Figure 2)

Select the appropriate attachment and assemble onto food processor as directed in the chopping, kneading or slicing/shredding sections. Place food or dough in bowl if using multipurpose blade or dough blade.

NOTE: There is only one position for the bowl to lock onto the base. The unit will not operate if the bowl does not lock onto the base.

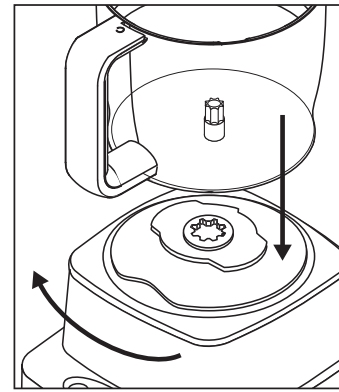


Figure 2

How to Lock the Cover

Place the lid on the bowl. Turn clockwise until the lid clicks into place; the arrow on the lid will line up with the arrow on the handle (the food pusher should be positioned in the front). Your food processor features a safety interlock system. The unit will not operate unless the bowl and bowl cover are properly aligned and locked into place. (Figure 3)

NOTE: When the cover is locked into position, the safety mechanism on the cover and bowl will align. The unit will not operate if the cover is not locked onto the bowl.

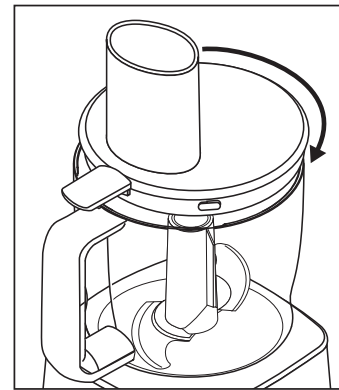


Figure 3

NOTE: BOWL MUST BE LOCKED INTO BASE BEFORE COVER CAN BE LOCKED INTO POSITION.

Plug unit into outlet. Turn the unit on by pressing the on button or pulse button. Use the food pusher when using the slicing or shredding discs. Press the food down slowly and steadily with the pusher.

To stop your food processor, press the off button. Wait until the blade or disc comes to a complete stop before removing the lid or bowl.



How to Chop

NOTE: Make sure the unit is turned OFF and unplugged before use. Never use hand to push food into processor. Do not use the processor continuously for more than 3 minutes at a time.

Multipurpose Blade: Use multi purpose blade for chopping, mixing, blending, pureeing and preparing puff pastry, crumbs and short crust pastry.

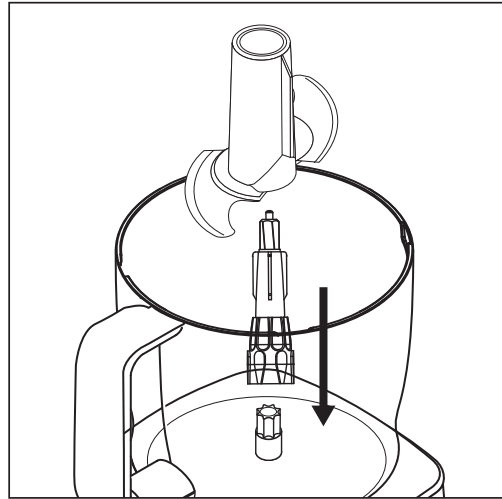

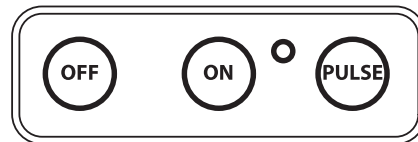


Figure 4

- 1 Lock the bowl onto base.
(See "How to assemble the bowl")
- 2 Take the disc stem and slide it onto the center post. Then grasp the multi purpose blade by its stem and slide over the disc stem. (Figure 4)
- 3 Place food into bowl.
- 4 Lock cover onto bowl.
(See "How to Lock the cover")
- 5 Place the food pusher into the feed tube.
- 6 Plug the cord into an electric outlet. Use the Food Guide to prepare food for chopping.
- 7 Press the ON button for continuous processing or the PULSE button for short processing tasks. When using the PULSE setting, hold down the PULSE button for about 2–3 seconds at a time, check results and repeat if desired.
- 8 When finished processing, press the OFF button and allow the chopping blade to stop rotating.
- 9 Twist the cover counter-clockwise to remove lid.
- 10 Hold the disc stem with multi purpose blade attached by its stem and remove. Unlock the bowl by turning it counter-clockwise towards the UNLOCK  mark, and lift off. Empty the processed food.



NOTE: The 10 Cup Food Processor comes with a spatula to easily empty contents inside the bowl.

NOTE: Chopping Blade is very sharp, use caution when handling.



How to Knead Dough

NOTE: NEVER TRY TO PROCESS DOUGH THAT IS TOO STIFF TO KNEAD COMFORTABLY BY HAND.

NOTE: Make sure the unit is turned OFF and unplugged before use. Never use hand to push food into processor. Do not use the processor continuously for more than 3 minutes at a time.

Dough Blade: Use the dough blade for kneading bread dough and for mixing batters and cake mixtures.

- 1 Lock the bowl onto base.
(See "How to assemble the bowl")
- 2 Take the disc stem and slide it onto the center post. Then grasp the dough blade by its stem and slide over the disc stem (Figure 5).
- 3 Place all the dry ingredients into the bowl.
- 4 Lock cover onto bowl.
(See "How to Lock the cover")
- 5 Place the food pusher into the feed tube.
- 6 Plug the cord into an electric outlet.
- 7 Press the ON button for continuous processing or the PULSE button for short processing tasks. When using the PULSE setting, hold down the PULSE button for about 2-3 seconds at a time, check results and repeat if desired.

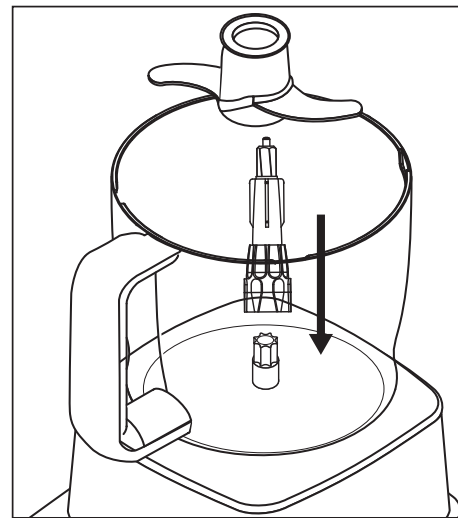



Figure 5

NOTE: All liquid ingredients should be added through the food chute while unit is processing. Add liquid in a slow, steady stream for even distribution. It is important to add enough liquid to make the dough soft enough to knead. Kneading dough that is too stiff can strain the machine.

- 8 When finished processing, press the OFF button and allow the dough blade to stop rotating.
- 9 Twist the cover counter-clockwise to remove lid.
- 10 Hold the disc stem with dough blade attached by its stem and remove. Unlock the bowl by turning it counter-clockwise towards the UNLOCK  mark, and lift off. Empty the processed food.


NOTE: The 10 Cup Food Processor comes with a spatula to easily empty contents inside the bowl.



How to Slice or Shred

NOTE: Make sure the unit is turned OFF and unplugged before use. Never use hand to push food into processor. Do not use the processor continuously for more than 3 minutes at a time.

Slicing and Shredding Discs: Use these discs for slicing and shredding meats, fruits, vegetables, cheeses and more.

- 1 Lock the bowl onto base.
(See "How to assemble the bowl")
- 2 Slide the Disc Stem onto the center post of the base. With the desired side facing up (slicing or shredding), push the slice/shred disc onto the disc stem (Figure 6). Use caution when handling disc, blades are extremely sharp.
- 3 Lock cover onto bowl.
(See "How to Lock the cover")
- 4 Plug the cord into an electric outlet. Turn machine on by pressing the ON button.
- 5 Put ingredients in the feed tube and press the food pusher lightly onto the ingredients (Figure 7). The small pusher should only be used in combination with the large pusher. Do not use this piece by itself.
- 7 When finished processing, press the OFF button and allow the disc to stop rotating. Twist the cover counter-clockwise to remove lid.
- 8 Carefully remove the Shredding Disc. Unlock the bowl by turning it counter-clockwise towards the UNLOCK  mark and lift off. Empty the processed food.

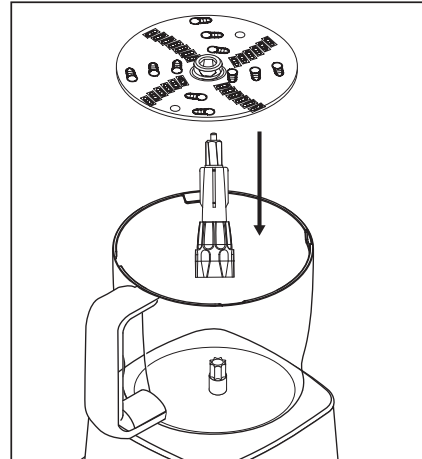


Figure 6

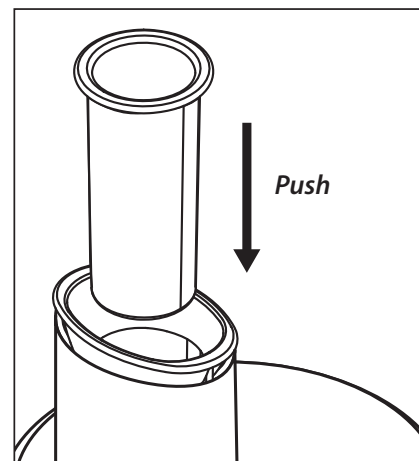


Figure 7

NOTE: Shredding Disc is very sharp, use caution when handling.

IMPORTANT: Use GENTLE force to press down on the food pusher. Excessive force could cause damage to the disc.

- Press the ingredients down slowly and steadily with the pusher.
- Precut large chunks of food to fit the size of the feed tube.
- For best results, fill the feed tube evenly.
- When processing large quantities, process small batches at a time and empty the bowl between batches.





Helpful Hints

- Never attempt to process any food that cannot be cut with a sharp knife.
- When mincing garlic, fresh herbs or small quantities of foods, add to feed tube with multipurpose blade in place and processor running. Make sure bowl and all parts are very dry before processing garlic or fresh herbs.
- To chop nuts, use multipurpose blade and the pulse setting. Use short pulses. Process smaller batches for coarser texture.
- Let hard cheeses, such as Parmesan and Romano, come to room temperature before processing. Freeze soft cheeses, such as cheddar and mozzarella, for 10 to 15 minutes before processing.
- Make sure uncooked meats and poultry are very cold before processing.
- Do not overfill processing bowl. Fill no more than 1/3 to 1/2 full when chopping. The bowl can hold up to 10 cups of dry ingredients or 2 cups liquid.
- Position the slicing and shredding discs so that cutting surfaces are to the right of the feed tube. This will allow one full rotation of the blade before contacting food.
- When processing several slices or pieces of food, put as many pieces as will fit in feed tube together to help hold each other in place.
- This food processor is NOT designed to grind coffee beans or spices or crush ice.
- Most foods can be processed in 10 to 30 seconds, depending on the quantity. For large quantities, process in several batches. Let the processor rest about 1 minute between batches.
- If the food processor suddenly stops running, turn the unit OFF and unplug. Let the unit cool down for 15 minutes and restart.
- A food processor is not recommended for making Italian meringue (a meringue made by using hot sugar syrup)

Food Processing Tips/Liquids

- 1** Hot liquids (less than 176°F) and hot foods can be processed in the bowl.
- 2** Be sure to process small amounts of liquids—2 cups or less at a time. Larger amounts may leak from the bowl.





Care & Cleaning

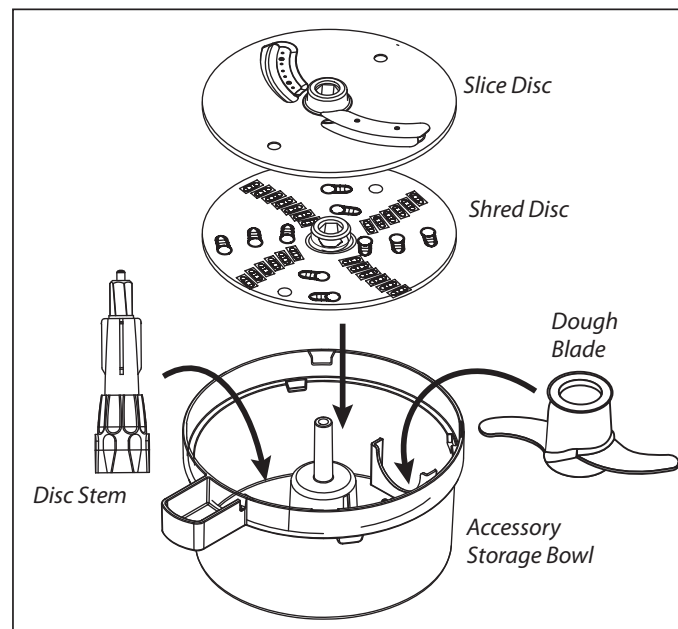
NOTE: Do not attempt to sharpen the cutting edges of the chopping blade or the reversible disc. They are permanently sharpened at the factory and will be ruined by attempted sharpening.

Cleaning

- 1 Before cleaning, be sure the unit is switched off and the cord is unplugged.
- 2 Whenever possible, rinse parts immediately after processing for easy cleanup.
- 3 Wipe the base, control panel, and feet with a damp cloth and dry thoroughly. Stubborn spots can be removed by rubbing with a damp cloth and a mild, non-abrasive cleaner. Do not immerse the base in liquid.
- 4 All removable parts can be washed by hand or in a dishwasher, top rack.
 - If washing by hand, wash in hot sudsy water, rinse, and dry thoroughly. If necessary, use a small nylon bristle brush to thoroughly clean the bowl and food chute/cover, this type of brush will also help prevent cutting yourself on the sharp chopping blade and slice/shred disc.
 - If washing in a dishwasher, place removable parts on the top rack only – not in or near the utensil basket.
- 5 Do not use rough scouring pads or cleansers on any plastic or metal parts.
- 6 Do not fill the bowl with boiling water or place any of the parts in boiling water. Some foods, such as carrots, may temporarily stain the bowl. To remove stains, make a paste of 2 tablespoons (30ml) baking soda and 1 tablespoon (15ml) warm water. Apply the paste to the stains and rub with a cloth. Rinse with sudsy water and dry.

Storing

The 10 cup food processor comes with a unique in-bowl storage rack that conveniently stores all your food processor accessories inside the bowl and out of the way. See the following diagram.



Chopping Guide		
Food	Amount	Directions
Baby Food	Up to 4 cups (1000ml)	Add up to 4 cups (1000ml) cooked vegetables and/or meat in a bowl, along with ¼ cup (60ml) liquid per cup of solid food, process continuously to desired fineness.
Bread Crumbs	Up to 5 slices	Cut either fresh or dry bread slices into 1½–2 inch (3.75–5cm) pieces. Add to bowl and process to fine crumbs.
Cookie/Cracker Crumbs	Up to 5 cups (1250ml)	Use for crumbing Graham Crackers, Chocolate or Vanilla Wafers. Break larger crackers into 1½–2 inch (3.75–5cm) pieces. Add to bowl and process until fine.
Cranberries, minced	3 cups (750ml)	Pulse to chop to desired fineness. Can also add sugar to make Cranberry Relish.
Eggs, chopped	Up to 12	Peel, dry and halve hard-cooked eggs. Add to bowl, Pulse to chop, checking fineness after 4–5 pulses.
Garlic, minced	Up to 12	Be sure bowl is dry. Drop clove(s) down Food Chute while unit is running.
Meat, chopped (raw or cooked)	Up to 2.5 cups (600ml)	Cut the meat into 1 inch (2.54cm) cubes. Add to bowl and pulse to chop.
Mushrooms, chopped	Up to 12 medium	Halve large ones and add to bowl. Pulse to desired fineness.
Nuts, chopped	2 cups (300ml)	Add to bowl and pulse to chop.
Onions, chopped	Up to 2 large	Quarter, add to bowl. Pulse 1 or 2 times to coarsely chop. For green onions, up to 2 cups (500ml) cut into 1 inch (2.45cm) pieces.
Parmesan or Romano Cheese, grated	Up to 1½ cups (375ml)	Allow cheese to reach room temperature. Cut into 1 inch (2.54cm) cubes. Add to bowl and pulse to coarse chop. Process continuously to finely grate.
Parsley, chopped	Up to 2 cups (500ml)	Add to bowl and pulse to chop to desired fineness, about 10–15 seconds. Process other herbs in the same manner (Basil, Cilantro, Mint, etc.)
Pepper, Green, Red, Yellow, chopped	Up to 1 Pepper	Cut into 1 inch (2.54cm) pieces. Add to bowl and pulse to chop.
Soups, pureed or creamed	2 cups (500ml)	Add up to 2 cups hot (less than 176°) vegetable soup for pureeing or creaming. Process to desired smoothness.
Squash (Butternut), Pumpkin or Sweet Potatoes, pureed	Up to 5 cups (1250ml) of 1 inch (2.54cm) cubes	Add ¼ (60ml) cup of cooking liquid per cup of food. Pulse to finely chop then process continuously to puree.
Strawberries, pureed	2 cups (500ml)	Hull and halve large berries. Add to bowl and pulse to chop. Process continuously to puree.
Tomatoes, chopped	4 medium	Quarter tomatoes. Add up to 4 and pulse to desired size.



Shredding Guide	
Food	Directions
Cabbage	Use Shredding Disc for very fine cabbage or slaw. Cut into pieces to fit Chute. Shred using light pressure. Empty bowl as cabbage reaches Disc.
Carrots	Position in Chute and shred.
Cheese, cheddar	Cheese must be well chilled. Cut to fit Chute, use light pressure.
Cheese, Mozzarella	Cut to fit Chute. Cheese must be chilled in freezer for 30 minutes prior to shredding. Use light pressure.
Potatoes	Cut to fit Chute.
Zucchini	Slice off ends, cut to fit Chute, either lengthwise or horizontally.

Slicing Guide	
Food	Directions
Apple	Halve and stack horizontally in Chute. Use firm pressure.
Cabbage/Lettuce	Halve head, cut to fit Chute
Carrots	Cut to fit Chute.
Celery	Remove string, pack Chute for best results.
Cucumber	Cut to fit Chute if necessary.
Mushrooms	Stack Chute with mushrooms on their sides for lengthwise slices.
Onions	Halve and fill Chute, positioning onions upright for coarsely chopped results.
Peaches/Pears	Halve and core. Position upright in Chute and slice using light pressure.
Peppers, Green, Yellow, Red, etc.	Halve and seed. Fit pepper up bottom of Chute squeezing slightly to fit if necessary. Cut large ones into quarters or strips, depending on desired results. Slice using moderate pressure.
Pepperoni	Cut into 3 inch (8cm) lengths. Remove inedible casing.
Potatoes	Peel if desired, cut large potatoes in halves, position in Chute.
Strawberries	Hull. Arrange berries on their sides for lengthwise slices.
Tomatoes	Use small tomatoes for whole slices, halve if necessary. Use gentle but firm pressure.
Turnips	Peel, cut turnips to fit Chute.
Zucchini	Slice off ends. Use small squash for whole slices; halve larger ones to fit Chute.





1 Year Limited Warranty

Sunbeam Products, Inc. doing business as Jarden Consumer Solutions or if in Canada, Sunbeam Corporation (Canada) Limited doing business as Jarden Consumer Solutions (collectively "JCS") warrants that for a period of one year from the date of purchase, this product will be free from defects in material and workmanship. JCS, at its option, will repair or replace this product or any component of the product found to be defective during the warranty period. Replacement will be made with a new or remanufactured product or component. If the product is no longer available, replacement may be made with a similar product of equal or greater value. This is your exclusive warranty. Do NOT attempt to repair or adjust any electrical or mechanical functions on this product. Doing so will void this warranty.

This warranty is valid for the original retail purchaser from the date of initial retail purchase and is not transferable. Keep the original sales receipt. Proof of purchase is required to obtain warranty performance. JCS dealers, service centers, or retail stores selling JCS products do not have the right to alter, modify or any way change the terms and conditions of this warranty.

This warranty does not cover normal wear of parts or damage resulting from any of the following: negligent use or misuse of the product, use on improper voltage or current, use contrary to the operating instructions, disassembly, repair or alteration by anyone other than JCS or an authorized JCS service center. Further, the warranty does not cover: Acts of God, such as fire, flood, hurricanes and tornadoes.

What are the limits on JCS's Liability?

JCS shall not be liable for any incidental or consequential damages caused by the breach of any express, implied or statutory warranty or condition.

Except to the extent prohibited by applicable law, any implied warranty or condition of merchantability or fitness for a particular purpose is limited in duration to the duration of the above warranty.

JCS disclaims all other warranties, conditions or representations, express, implied, statutory or otherwise.

JCS shall not be liable for any damages of any kind resulting from the purchase, use or misuse of, or inability to use the product including incidental, special, consequential or similar damages or loss of profits, or for any breach of contract, fundamental or otherwise, or for any claim brought against purchaser by any other party.

Some provinces, states or jurisdictions do not allow the exclusion or limitation of incidental or consequential damages or limitations on how long an implied warranty lasts, so the above limitations or exclusion may not apply to you.

This warranty gives you specific legal rights, and you may also have other rights that vary from province to province, state to state or jurisdiction to jurisdiction.

How to Obtain Warranty Service

In the U.S.A.

If you have any question regarding this warranty or would like to obtain warranty service, please call 1-800-334-0759 and a convenient service center address will be provided to you.

In Canada

If you have any question regarding this warranty or would like to obtain warranty service, please call 1-800-667-8623 and a convenient service center address will be provided to you.

In the U.S.A., this warranty is offered by Sunbeam Products, Inc. doing business as Jarden Consumer Solutions located in Boca Raton, Florida 33431. In Canada, this warranty is offered by Sunbeam Corporation (Canada) Limited doing business as Jarden Consumer Solutions, located at 20 B Hereford Street, Brampton, Ontario L6Y 0M1. If you have any other problem or claim in connection with this product, please write our Consumer Service Department

**PLEASE DO NOT RETURN THIS PRODUCT TO ANY OF THESE ADDRESSES
OR TO THE PLACE OF PURCHASE**



MEDIDAS DE SEGURIDAD IMPORTANTES

Cuando se utilizan aparatos eléctricos, siempre deben tomarse medidas de seguridad básicas, incluyendo las siguientes:

1. **Lea estas instrucciones antes de usar.**
2. Para prevenir el riesgo de descargas eléctricas, no sumerja la procesadora de alimentos en agua u otros líquidos. Ello podría ocasionar lesiones personales o daños al producto.
3. Se requiere supervisión cuando el electrodoméstico se utiliza cerca de niños.
4. Desenchufe el electrodoméstico de la toma de corriente cuando no esté siendo utilizado, antes de colocar o retirar piezas o antes de limpiarlo.
5. No toque las piezas móviles.
6. No utilice la procesadora de alimentos si el cable de alimentación o el enchufe está dañado, si el electrodoméstico no funciona correctamente, se ha caído o presenta algún tipo de daño. Para la inspección, reparación o ajuste mecánico, recurra al centro de mantenimiento autorizado más cercano.
7. El uso de accesorios no recomendados o no vendidos por el fabricante puede ocasionar incendios, descargas eléctricas o lesiones.
8. No deje que el cable cuelgue del borde de la mesa o mesada o esté en contacto con superficies calientes.
9. No utilice la procesadora de alimentos si alguna pieza está dañada.
10. No utilice el electrodoméstico en el exterior o para fines comerciales.
11. Cuando procese alimentos, mantenga las manos y los utensilios alejados de los discos o las cuchillas móviles para reducir el riesgo de lesiones graves a personas o daños a la procesadora de alimentos. Puede utilizarse un raspador pero solo cuando la procesadora de alimentos no esté en funcionamiento.
12. El disco y las cuchillas son filosas. Manipule con cuidado.
13. Para reducir el riesgo de lesiones a personas, nunca coloque la cuchilla o la base del motor sin haber colocado previamente el recipiente correctamente en su lugar.
14. asegúrese de que la tapa del recipiente esté trabada de modo seguro cuando utilice el electrodoméstico.
15. Nunca coloque alimentos en el vertedor de alimentos manualmente; siempre utilice el empujador de alimentos.
16. Asegúrese de que el interruptor esté en la posición OFF (APAGADO) después de cada uso.
17. Solo utilice este electrodoméstico con el fin para el cual ha sido diseñado.
18. No intente modificar el mecanismo de seguro de la cubierta
19. **El empujador pequeño debe usarse sólo en combinación con el empujador largo. No use esta pieza por sí sola.**

GUARDE ESTAS INSTRUCCIONES



ESTA UNIDAD HA SIDO DISEÑADA SOLO PARA USO DOMÉSTICO.

Este electrodoméstico tiene un enchufe de corriente alternativo polarizado (una paleta es más ancha que la otra). Para reducir el riesgo de descargas eléctricas, como una función de seguridad, este enchufe encaja en la toma polarizada solo de una forma. Si el enchufe no se inserta completamente en la toma de corriente, invierta el enchufe. Si aun no encaja, contacte a un electricista calificado. No modifique el enchufe de ninguna manera.

NO INTENTE IGNORAR ESTA MEDIDA DE SEGURIDAD

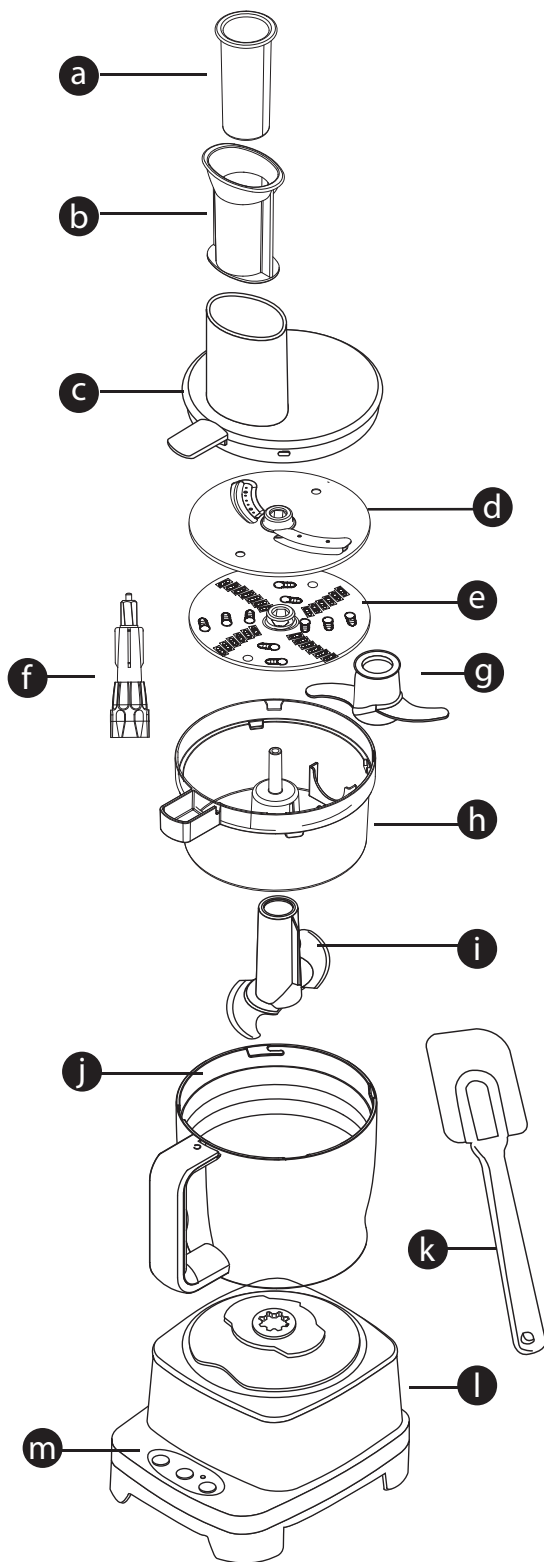
USO DE CABLE DE EXTENSIÓN

Se proporciona un cable de alimentación corto para reducir el riesgo de enredarse o tropezar con un cable más extenso. Si se utiliza con cuidado, puede emplearse un cable de extensión. En caso de utilizar un cable de extensión, la capacidad eléctrica del cable debe ser al menos igual que la capacidad eléctrica nominal del electrodoméstico. El cable de extensión debe instalarse de modo que no cuelgue de la mesada o mesa donde pueda ser jalado por niños o pueda ocasionar tropiezos.

Gracias por adquirir la Procesadora de Alimentos con 11 Elementos OSTER®. Antes de utilizar este producto por primera vez, por favor lea estas instrucciones y consérvelas para referencia futura. Preste especial atención a las Instrucciones de Seguridad. Por favor lea las declaraciones de garantía y mantenimiento del producto. Por favor, no volver al lugar de compra. Para obtener más información sobre los productos OSTER®, por favor visite www.oster.com o llámenos al 1-800-334-0759.



INFORMACIÓN SOBRE SU PROCESADORA DE ALIMENTOS CON CAPACIDAD PARA 10 TAZAS



- a** Empujador de alimentos chico
- b** Empujador de alimentos grande
- c** Tapa con entrada para alimentos
- d** Disco rebanador
- e** Disco rallador
- f** Vástago del disco
- g** Hoja doble para amasar
- h** Tazón para almacenamiento de accesorios
- i** Hoja multipropósito
- j** Tazón
- k** Spatula
- l** Base
- m** Panel de control





ANTES DE UTILIZAR SU PROCESADORA DE ALIMENTOS OSTER®

- Cuando desempaque el producto y retire el material de embalaje, maneje con cuidado las hojas del disco rebanador y el disco rallador, pues son muy filosas.
- Lave todas las piezas con agua jabonosa caliente, excepto la Base. Enjuague y seque. Estas piezas también pueden lavarse en el lavavajillas. Asegúrese de leer la Sección Cuidado & Lavado de este manual para conocer los métodos correctos para desarmar la unidad y limpiarla.



CÓMO:

Usar su procesadora de alimentos

NOTA: No intente moler hielo en esta procesadora de alimentos, pues se dañará el tazón y se desafilarán las hojas de corte. Esta unidad no está diseñada para batir crema o huevos, moler granos de café, especias ni otros ingredientes con alto contenido de aceite, tampoco para rebanar o rallar huevos duros, bombones ni quesos suaves.

Importante: Para su protección, esta unidad tiene un sistema de bloqueo. **La procesadora no funcionará a menos que el tazón esté bien colocado en la base y la tapa esté bien ajustada en el tazón.** No intente operar la unidad si la tapa del tazón, la tapa con entrada para alimentos o el tazón no están bien colocados. Compruebe que la base esté en una superficie plana, seca y limpia antes de empezar a procesar los alimentos.

NOTA: Antes de empezar, **COMPRUEBE QUE EL CABLE ELÉCTRICO ESTÁ DESCONECTADO.**

- 1 **Uso del control PULSE (PULSO):** Usted puede controlar mejor la textura de los alimentos procesados mediante el botón PULSE de su procesadora de alimentos. Sólo presione y suelte para cambiar con rapidez la procesadora de encendido a apagado. Esto le permite revisar el resultado del proceso y controlar la consistencia. Para un procesamiento más largo, mantenga presionado el botón PULSE.

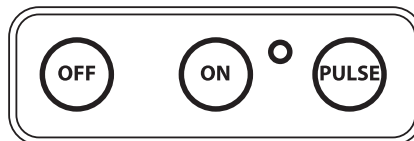


Figura 1



- 2 **Uso del control ON (Continuo):** Para agregar ingredientes por el tubo de entrada; quite el empujador y llene el tubo de entrada como se indica (consulte Cómo rebanar o rallar). Coloque el empujador y presione el botón ON. El LED se encenderá y el motor arrancará. Presione el empujador con firmeza hacia abajo hasta que todos los ingredientes hayan pasado al tazón. Quite el empujador y ponga más ingredientes según sea necesario. Presione el botón OFF cuando termine.
- 3 **Posición OFF -** La procesadora siempre deberá estar en la posición OFF cuando no esté en uso.

Cómo ensamblar el tazón

Compruebe que la unidad esté desconectada. Ponga el tazón en la parte superior de la base de la procesadora de alimentos, con el mango del tazón de trabajo exactamente a la derecha del centro. Gire el tazón en el sentido de las manecillas del reloj hasta que el tazón se enganche en su sitio. Ahora el mango deberá estar alineado con el centro del panel de control. (Figura 2)

Seleccione el dispositivo apropiado y ensámblelo en la procesadora de alimentos como se indica en las secciones picar, amasar o rebanar/rallar. Coloque los alimentos o la masa en el tazón si se está usando la hoja multipropósito o la hoja para amasar.

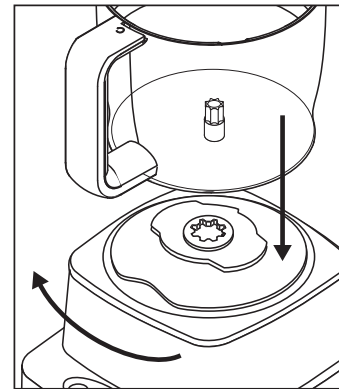


Figura 2

NOTA: El tazón solo se puede ajustar en una posición sobre la base. La unidad no funcionará si el tazón no está bien colocado en la base.

Cómo bloquear la tapa

Coloque la tapa en el tazón. Gire en el sentido de las manecillas del reloj hasta que la tapa se enganche en su sitio; la flecha de la tapa deberá estar alineada con la flecha del mango (el empujador de alimentos deberá estar colocado hacia el frente). Su procesadora de alimentos cuenta con un sistema de bloqueo de seguridad. La unidad no funcionará a menos que el tazón y su tapa estén bien alineados y asegurados en su sitio. (Figura 3)

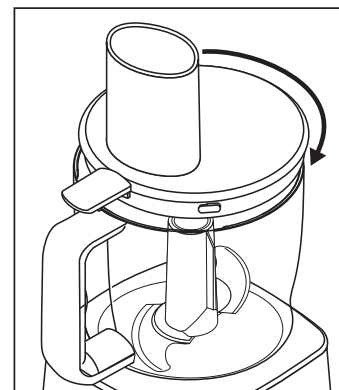


Figura 3

NOTA: Cuando la tapa está asegurada en su posición, el mecanismo de seguridad de la tapa y el tazón estarán alineados. La unidad no funcionará si la tapa no está asegurada en el tazón.

NOTA: EL TAZÓN DEBERÁ ESTAR ENGANCHADO A LA BASE ANTES DE QUE LA TAPA SE PUEDA ASEGURAR EN SU SITIO.




Enchufe la unidad. Encienda la unidad presionando el botón ON o el botón PULSE. Use el empujador de alimentos cuando utilice los discos para rebanador o rallador. Presione la comida hacia abajo lenta y continuamente con el empujador. Para detener su procesadora de alimentos, presione el botón OFF. Espere hasta que la hoja o el disco se detengan completamente antes de quitar la tapa o el tazón.

Cómo picar

NOTA: Compruebe que la unidad esté APAGADA y desconectada antes de usarla. Nunca use las manos para empujar los alimentos en la procesadora. No use la procesadora por más de 3 minutos continuos a la vez.

Hoja multipropósito: Use la hoja multipropósito para picar, mezclar, licuar, hacer puré o preparar pasta de hojaldre, migas y pasta quebrada.

- 1 Enganche el tazón a la base (consulte "Cómo ensamblar el tazón").
- 2 Tome el vástago del disco y deslícelo en el poste central. Luego tome la hoja multipropósito por su vástago y deslícelo en el vástago del disco. (Figura 4)
- 3 Ponga la comida en el tazón.
- 4 Coloque la tapa en el tazón. (Consulte "Cómo colocar la tapa")
- 5 Ponga el empujador de alimentos en el tubo de entrada.
- 6 Enchufe el cable en un tomacorriente. Use la guía de alimentos para preparar la comida para picarla.
- 7 Presione el botón ON (ENCENDIDO) para un procesamiento continuo o el botón PULSE (PULSO) para procesamientos cortos. Cuando use la función PULSE, sostenga el botón PULSE durante 2 o 3 segundos a la vez, revise los resultados y repita si es necesario.
- 8 Cuando termine el procesamiento, presione el botón OFF y permita que la hoja de corte deje de girar.
- 9 Gire la tapa en sentido contrario a las manecillas del reloj para quitarla.
- 10 Sostenga el vástago del disco con la hoja multipropósito unida por su vástago y quítelos. Desbloquee el tazón girándolo en sentido contrario a las manecillas del reloj hacia la marca UNLOCK (DESBLOQUEAR)  y levántelo. Vacíe los alimentos procesados.

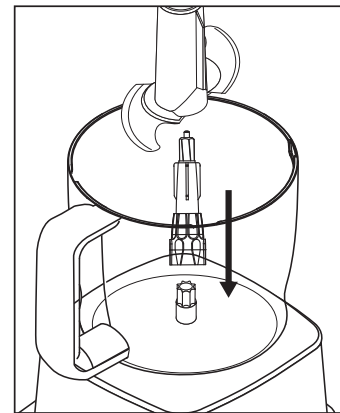
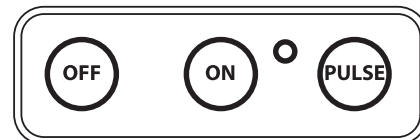


Figura 4



NOTA: La procesadora de alimentos para 10 tazas se vende junto con una espátula para vaciar con facilidad el contenido del tazón.

NOTA: La hoja de corte es muy filosa, tenga cuidado cuando la manipule.



Cómo batir masa

NOTA: NUNCA INTENTE PROCESAR MASA QUE ESTÉ TAN ESPESA QUE NO PUEDA AMASARLA FÁCILMENTE A MANO.

NOTA: Compruebe que la unidad está APAGADA y desconectada antes de usarla. Nunca use las manos para empujar los alimentos en la procesadora. No use la procesadora por más de 3 minutos continuos a la vez.

Hoja para amasar: Use la hoja para hacer masa para pan, y para mezclar masas y mezclas para paste.

- 1 Coloque el tazón en la base (consulte "Cómo ensamblar el tazón").
- 2 Tome el vástago del disco y deslícelo en el poste central. Luego asiente la hoja para amasar por su vástago y deslícelo en el vástago del disco (Figura 5).
- 3 Ponga todos los ingredientes secos en el tazón.
- 4 Coloque la tapa en el tazón (consulte "Cómo bloquear la tapa").
- 5 Ponga el empujador de alimentos en el tubo de entrada.
- 6 Conecte el cable en un tomacorriente.
- 7 Presione el botón ON (ENCENDIDO) para un procesamiento continuo o el botón PULSE (PULSO) para procesamientos cortos. Cuando use la función PULSE, sostenga el botón PULSE durante 2 o 3 segundos a la vez, revise los resultados y repita si es necesario.

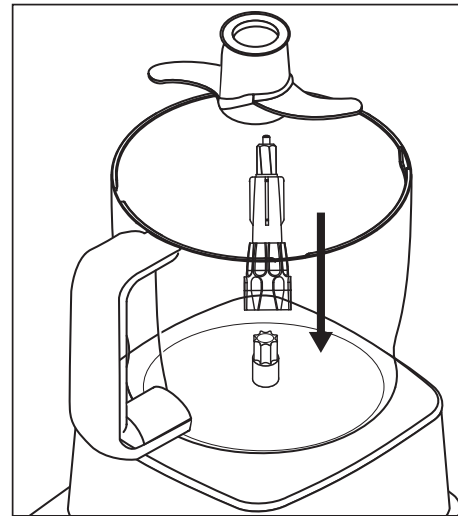


Figura 5

NOTA: Todos los ingredientes líquidos deberán agregarse por la entrada de alimentos mientras la unidad esté procesando. Añada los líquidos lenta y continuamente para que logre una mezcla uniforme. Es importante agregar suficiente líquido para hacer que la masa sea bastante suave para poder amasarla. Si la masa está demasiado espesa puede forzar la máquina.

- 8 Cuando termine el procesamiento, presione el botón OFF (APAGADO) y espere a que la hoja para amasar deje de girar.
- 9 Gire la tapa en sentido contrario a las manecillas del reloj para quitarla.
- 10 Sostenga el vástago del disco con la hoja multipropósito unida por su vástago y quítelos. Desbloquee el tazón girándolo en sentido contrario a las manecillas del reloj hacia la marca UNLOCK (LIBERAR) y levántelo. Vacíe los alimentos procesados.


NOTA: La procesadora de alimentos para 10 tazas se vende junto con una espátula para vaciar con facilidad el contenido del tazón.



Cómo rebanar o rallar

NOTA: Revise que la unidad esté APAGADA y desconectada antes de usarla. Nunca use las manos para empujar los alimentos hacia la procesadora. No use la procesadora por más de 3 minutos continuos a la vez.

Discos rebanador y rallador: Use estos discos para rebanar y rallar carnes, frutas, verduras, quesos y más.

- 1 Coloque el tazón en la base (Consulte “Cómo ensamblar el tazón”).
- 2 Tome el vástago del disco y deslícelo en el poste central. Empuje el disco rebanador/ rallador en el vástago del disco con el lado deseado hacia arriba (Figura 6). Tenga cuidado cuando manipule el disco, pues las hojas son extremadamente filosas.
- 3 Coloque la tapa en el tazón (consulte “Cómo bloquear la tapa”).
- 4 Conecte el cable en un tomacorriente. Encienda la máquina presionando el botón ON (ENCENDIDO).
- 5 Ponga los ingredientes en el tubo de entrada y presione ligeramente los ingredientes con el empujador de alimentos (Figura 7). El empujador pequeño debe usarse sólo en combinación con el empujador largo. No use esta pieza por sí sola.
- 7 Cuando termine el procesamiento, presione el botón OFF y permita que la hoja de corte deje de girar. Gire la tapa en sentido contrario a las manecillas del reloj para quitarla.
- 8 Quite con cuidado el disco rallador. Libere el tazón girándolo en contra de las manecillas del reloj hacia la marca UNLOCK  y levántelo. Vacíe los alimentos procesados.

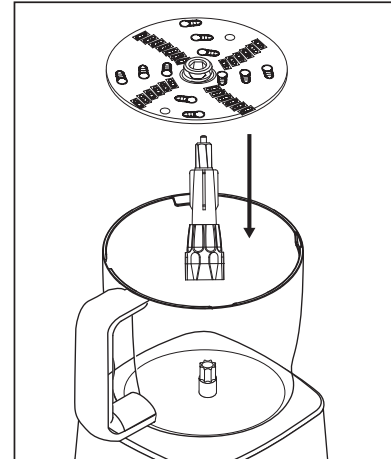


Figura 6

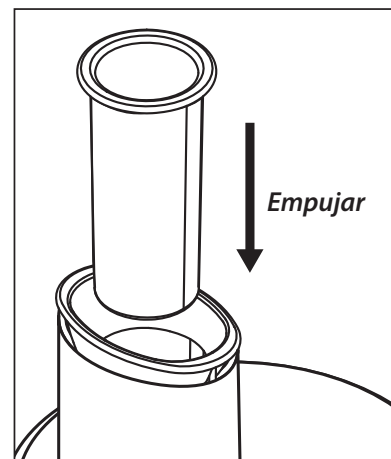


Figura 7

NOTA: El disco rallador es muy filoso, tenga cuidado cuando lo manipule.

IMPORTANTE: Presione el empujador de alimentos LEVEMENTE. Si ejerce fuerza excesiva podría dañar el disco.

- Presione los ingredientes hacia abajo lenta y uniformemente con el empujador.
- Corte previamente trozos grandes de comida para ajustarla al tamaño del tubo de entrada.
- Para mejores resultados, llene el tubo de entrada con trozos del mismo tamaño.
- Cuando procese grandes cantidades, hágalo en porciones pequeñas cada vez y vacíe el tazón después de cada tanda.





Consejos útiles

- Nunca intente procesar un alimento que no pueda cortarse con un cuchillo afilado.
- Cuando pique ajo, hierbas frescas o pequeñas cantidades de alimentos, agréguelos en el tubo de entrada con la hoja multipropósito en su sitio y la procesadora funcionando. Asegúrese de que el tazón y todas las partes estén bien secas antes de procesar ajo o hierbas frescas.
- Para picar nueces, use la hoja multipropósito y la función PULSE (PULSO). Use pulsos breves. Procese pequeñas porciones para conseguir una textura más gruesa.
- Deje que los quesos duros, como el parmesano y el romano, alcancen la temperatura ambiente antes de procesarlos. Congele de 10 a 15 minutos los quesos suaves, como el cheddar y el mozzarella antes de procesarlos.
- Asegúrese de que las carnes y aves crudas estén bien frías antes de procesarlas.
- No llene demasiado el tazón de procesamiento. No llene a más de 1/3 a 1/2 de su capacidad cuando corte. El tazón puede contener hasta 10 tazas de ingredientes secos o 2 tazas de líquido.
- Coloque los discos rebanador y rallador de tal forma que las superficies de corte estén a la derecha del tubo de entrada. Esto permitirá que la hoja dé una vuelta completa antes de tocar la comida.
- Cuando procese muchas rebanadas o trozos de comida, ponga juntos todos los trozos que quepan en el tubo de entrada para que se sostengan unos con otros en su sitio.
- Esta procesadora de alimentos NO está diseñada para moler granos de café, especias o hielo.
- La mayoría de los alimentos pueden procesarse entre 10 y 30 segundos, dependiendo de la cantidad. Para procesar cantidades grandes, hágalo en varias tandas. Deje que la procesadora descanse más o menos un minuto entre cada tanda.
- Si la procesadora de alimentos se detiene repentinamente, APAGUE la unidad y desconéctela. Espere por lo menos 15 minutos para que se enfríe y vuelva a empezar.
- No se recomienda el uso de una procesadora de alimentos para hacer merengue italiano (un merengue hecho con sirope de azúcar caliente)

Consejos para el procesamiento de alimentos/Líquidos

- 1 Los alimentos y líquidos calientes (menos de 176°F/80°C) se pueden procesar en el tazón.
- 2 Procese cantidades pequeñas de líquidos (2 tazas o menos cada vez). Si procesa cantidades mayores, se puede desbordar el tazón.





Cuidado y limpieza

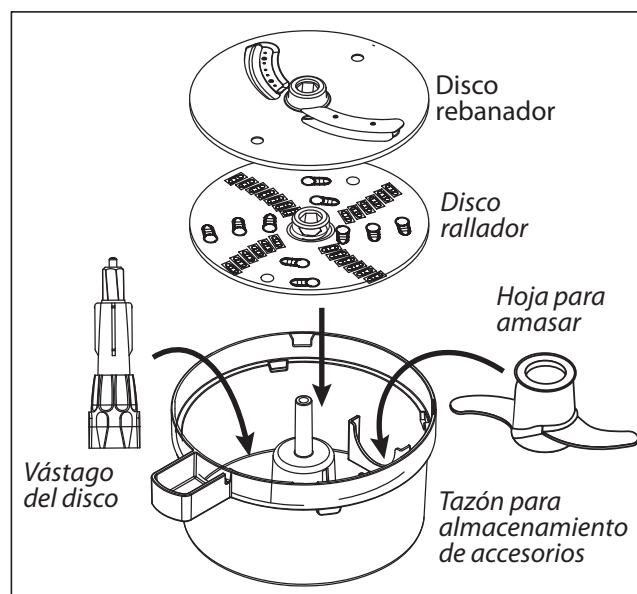
NOTA: No intente afilar la hoja de corte o el disco reversible, pues tienen un afilado permanente de fábrica que se arruinará si se intenta afilar.

Limpieza

- 1 Antes de limpiarla, compruebe que la unidad está apagada y que el cable está desconectado.
- 2 Siempre que sea posible, enjuague las partes inmediatamente después de usarlas para limpiarlas con facilidad.
- 3 Limpie la base, el panel de control y el pie con un paño húmedo y luego seque completamente. Las manchas difíciles se pueden quitar frotando con un paño húmedo y un limpiador suave, no abrasivo. No sumerja la base en líquidos.
- 4 Todas las partes desmontables se pueden lavar a mano o en la rejilla superior de un lavavajillas.
 - Si lava a mano, hágalo con agua jabonosa caliente, enjuague y seque por completo. Si es necesario, use un cepillo pequeño con cerdas de nylon para limpiar completamente el tazón, la tapa y la entrada de alimentos; este tipo de cepillo también ayudará a evitar que usted se corte con el filo de las hojas de corte y el disco rebanador/rallador.
 - Si usa un lavavajillas, coloque las partes desmontables solo en la rejilla superior, no dentro ni cerca de la canastilla para utensilios.
- 5 No use fibras ni limpiadores abrasivos en ninguna parte plástica o metálica.
- 6 No llene el tazón con agua hirviendo ni sumerja ninguna de las partes en agua hirviendo. Algunos alimentos, como las zanahorias, pueden manchar temporalmente el tazón. Para quitar las manchas, haga una pasta con 2 cucharadas (30 ml) de bicarbonato de soda y una cucharada (15 ml) de agua tibia. Aplique la pasta a las manchas y frote con un paño. Enjuague con agua jabonosa y séquela.

Almacenamiento

La procesadora de alimentos para 10 tazas cuenta con un dispositivo de almacenamiento en el tazón que sirve para guardar todos los accesorios de su procesadora de alimentos dentro del tazón y evitar que se pierdan. Vea el siguiente diagrama.



Guía para Picar		
Alimento	Cantidad	Instrucciones
Comida para Bebés	Hasta 4 tazas (1000ml)	Agregar hasta 4 tazas (1000ml) de vegetales cocidos y/o carne en un recipiente, junto con 1/4 taza (60ml) de líquido por taza de alimento sólido, procesar continuamente a la fineza deseada.
Migas de pan	Hasta 5 rebanadas	Cortar rebanadas de pan fresco o duro en trozos de 1½-2 pulgadas (3,75-5cm) Agregar al recipiente y procesar hasta obtener migas finas.
Migas de galletas dulces/saladas	Hasta 5 tazas (1.250ml)	Utilizar galletas Graham, de chocolate o vainilla. Partir las galletas en trozos de 1½-2 pulgadas (3,75-5cm). Agregar al recipiente y procesar hasta obtener migas finas.
Arándanos, picados	3 tazas (750ml)	Pulsar para picar hasta la fineza deseada. También puede agregarse azúcar para preparar una salsa de arándanos.
Huevos, picados	Hasta 12	Pelar, secar y cortar a la mitad huevos duros. Agregar al recipiente, pulsar para picar y controlar la fineza después de 4-5 pulsos.
Ajo, picados	Hasta 12	Asegurarse de que el recipiente esté seco. Introducir los dientes en el Vertedor de Alimentos cuando la unidad está en funcionamiento.
Carne, cortada en trozos pequeños (cruda o cocida)	Hasta 2,5 tazas (600ml)	Cortar la carne en cubos de 1 pulgada (2,54 cm). Agregar al recipiente y pulsar para picar.
Hongos, cortados en trozos pequeños	Hasta 12 medianos	Cortar a la mitad los de tamaño grande y agregar al recipiente. Pulsar hasta obtener la fineza deseada.
Frutos secos, cortados en trozos pequeños	2 tazas (300ml)	Agregar al recipiente y pulsar para picar.
Cebollas, cortadas en trozos pequeños	Hasta 2 grandes	Cortar en cuatro, agregar al recipiente Pulsar 1 o 2 veces para picar en trozos grandes. En caso de cebollas de verdeo, hasta 2 tazas (500ml), cortar en trozos de 1 pulgada (2,45cm).
Queso parmesano o romano, rallado	Hasta 1½tazas (375ml)	Aguardar hasta que el queso esté a temperatura ambiente. Cortar en cubos de 1 pulgada (2,54 cm) Agregar al recipiente y pulsar para picar en trozos grandes. Procesar continuamente para obtener un rallado fino.
Perejil, picado	Hasta 2 tazas (500ml)	Agregar al recipiente y pulsar para picar hasta la fineza deseada, aproximadamente 10-15 segundos. Procesar otras hierbas del mismo modo (albahaca, cilantro, menta, etc.).
Pimiento (verde, rojo, amarillo), picado	Hasta 1 pimiento	Cortar en trozos de 1 pulgada (2,54 cm). Agregar al recipiente y pulsar para picar.
Sopas (puré o crema)	2 tazas (500ml)	Agregar hasta 2 tazas de sopa de vegetales caliente (a menos de 176°) para hacer puré o crema. Procesar hasta obtener la fineza deseada.
Calabacín (calabaza sidra), calabaza o batatas, en puré	Hasta 5 tazas (1250ml) de cubos de 1 pulgada (2,54 cm)	Agregar ¼ taza (60ml) de líquido de cocción por taza de alimento. Pulsar para picar en trozos finos y después procesar continuamente para hacer el puré.
Frutillas, en puré	2 tazas (500ml)	Retirar el casco y cortar a la mitad en caso de frutillas grandes. Agregar al recipiente y pulsar para picar. Procesar continuamente para hacer el puré.
Tomates, picados	4 medianos	Cortar los tomates en cuatro Agregar hasta 4 y pulsar hasta obtener la fineza deseada.



Guía para Rallar	
Alimento	Instrucciones
Repollo	Utilizar el Disco para Rallar para ensalada de repollo o repollo muy fino. Cortar en trozos que quepan en el Vertedor. Rallar empleando una leve presión. Vaciar el recipiente cuando el repollo alcance el Disco.
Zanahorias	Colocar en Vertedor y rallar.
Queso, cheddar	El queso debe estar frío. Cortar para que entre en el Vertedor, emplear presión leve.
Queso, Mozzarella	Cortar para que entre en el Vertedor. El queso debe enfriarse en el congelador durante 30 minutos antes del rallado. Emplee presión leve.
Papas	Cortar para que entre en el Vertedor.
Calabacín	Retirar extremos, cortar para que entre en el Vertedor, ya sea vertical u horizontalmente.

Guía para Rebanar	
Alimento	Instrucciones
Manzana	Cortar a la mitad y colocar horizontalmente en Vertedor. Emplear presión firme.
Repollo/Lechuga	Cortar a la mitad, cortar para que entre en Vertedor
Zanahorias	Cortar para que entre en el Vertedor.
Apio	Retirar cola, llene el Vertedor para obtener mejores resultados.
Pepino	Cortar para que entre en el Vertedor, de ser necesario.
Hongos	Llenar el Vertedor con hongos apoyados horizontalmente para rodajas cortadas a lo largo.
Cebolla	Cortar a la mitad y llenar el Vertedor, colocando las cebollas en posición vertical para rebanadas más gruesas.
Duraznos/Peras	Cortar a la mitad y retirar el corazón. Colocar en posición vertical en el Vertedor y emplear presión leve.
Pimientos (verdes, rojos, amarillos)	Cortar a la mitad y retirar las semillas. Colocar los pimientos de arriba hacia abajo presionando levemente para que entren, de ser necesario. Cortar los de tamaño grande en cuartos o tiras, dependiendo de los resultados deseados. Emplee presión moderada.
Salchichas	Cortar en trozos con un largo de 3 pulgadas (8 cm). Retirar envoltura no comestible.
Papas	Pelar si se desea, cortar las papas grandes en mitades, colocar en Vertedor.
Frutillas	Retirar casco. Colocar las frutillas de modo horizontal en caso de rodajas a lo largo.
Tomates	Utilizar tomates pequeños para obtener rodajas enteras. Cortar a la mitad de ser necesario. Emplee presión leve pero firme.
Nabos	Pelar, cortar para que entren en el Vertedor.
Calabacín	Retirar extremos. Utilizar calabacines pequeños para obtener rodajas enteras. En caso de calabacines grandes, cortar a la mitad para que entren en el vertedor.





Garantía Limitada de 1 Año

Sunbeam Products, Inc. operando bajo el nombre de Jarden Consumer Solutions, o en Canadá, Sunbeam Corporation (Canada) Limited operando bajo el nombre de Jarden Consumer Solutions, (en forma conjunta, "JCS"), garantiza que por un período de un año a partir de la fecha de compra, este producto estará libre de defectos de materiales y mano de obra. JCS, a su elección, reparará o reemplazará este producto o cualquier componente del mismo que presente defectos durante el período de garantía. El reemplazo se realizará por un producto o componente nuevo o reparado. Si el producto ya no estuviera disponible, se lo reemplazará por un producto similar de valor igual o superior. Ésta es su garantía exclusiva. No intente reparar o ajustar ninguna función eléctrica o mecánica de este producto. Al hacerlo eliminará ésta garantía.

La garantía es válida para el comprador minorista original a partir de la fecha de compra inicial y la misma no es transferible. Conserve el recibo de compra original. Para solicitar servicio en garantía se requiere presentar un recibo de compra. Los agentes y centros de servicio de JCS o las tiendas minoristas que venden productos de JCS no tienen derecho a alterar, modificar ni cambiar de ningún otro modo los términos y las condiciones de esta garantía.

Esta garantía no cubre el desgaste normal de las piezas ni los daños que se produzcan como resultado de uso negligente o mal uso del producto, uso de voltaje incorrecto o corriente inapropiada, uso contrario a las instrucciones operativas, y desarme, reparación o alteración por parte de un tercero ajeno a JCS o a un Centro de Servicio autorizado por JCS. Asimismo, la garantía no cubre actos fortuitos tales como incendios, inundaciones, huracanes y tornados.

¿Cuál es el límite de responsabilidad de JCS?

JCS no será responsable de daños incidentales o emergentes causados por el incumplimiento de alguna garantía o condición expresa, implícita o legal.

Excepto en la medida en que lo prohíba la ley aplicable, cualquier garantía o condición implícita de comerciabilidad o aptitud para un fin determinado se limita, en cuanto a su duración, al plazo de la garantía antes mencionada.

JCS queda exenta de toda otra garantías, condiciones o manifestaciones, expresa, implícita, legal o de cualquier otra naturaleza.

JCS no será responsable de ningún tipo de daño que resulte de la compra, uso o mal uso del producto, o por la imposibilidad de usar el producto, incluidos los daños incidentales, especiales, emergentes o similares, o la pérdida de ganancias, ni de ningún incumplimiento contractual, sea de una obligación esencial o de otra naturaleza, ni de ningún reclamo iniciado contra el comprador por un tercero.

Algunas provincias, estados o jurisdicciones no permiten la exclusión o limitación de los daños incidentales o emergentes ni las limitaciones a la duración de las garantías implícitas, de modo que es posible que la exclusión o las limitaciones antes mencionadas no se apliquen en su caso.

Esta garantía le otorga derechos legales específicos y es posible que usted tenga otros derechos que varían de un estado, provincia o jurisdicción a otro.

Cómo solicitar el servicio en garantía

En los Estados Unidos

Si tiene alguna pregunta sobre esta garantía o desea recibir servicio de garantía, llame al 1-800-334-0759 y podrá obtener la dirección del centro de servicio que le resulte más conveniente

En Canadá

Si tiene alguna pregunta sobre esta garantía o desea recibir servicio de garantía, llame al 1-800-667-8623 y podrá obtener la dirección del centro de servicio que le resulte más conveniente.

En los Estados Unidos, esta garantía es ofrecida por Sunbeam Products, Inc. operando bajo el nombre de Jarden Consumer Solutions, Boca Ratón, Florida 33431. En Canadá, esta garantía es ofrecida por Sunbeam Corporation (Canada) Limited operando bajo el nombre de Jarden Consumer Solutions, 20 B Hereford Street, Brampton, Ontario L6Y 0M1. Si usted tiene otro problema o reclamo en conexión con este producto, por favor escriba al Departamento de Servicio al Consumidor.

POR FAVOR NO DEVUELVA ESTE PRODUCTO A NINGUNA DE ESTAS DIRECCIONES NI AL LUGAR DE COMPRA.





For product questions contact:

Sunbeam Consumer Service

USA : 1.800.334.0759

Canada : 1.800.667.8623

www.oster.com

©2009 Sunbeam Products, Inc. doing business as

Jarden Consumer Solutions. All rights reserved.

Distributed by Sunbeam Products, Inc. doing business as

Jarden Consumer Solutions, Boca Raton, Florida 33431.

Para preguntas sobre los productos llame:

Sunbeam Consumer Service

EE.UU.: 1.800.334.0759

Canadá : 1.800.667.8623

www.oster.com

©2009 Sunbeam Products, Inc. operando bajo el nombre de

Jarden Consumer Solutions. Todos los derechos reservados.

Distribuido por Sunbeam Products, Inc. operando bajo el nombre

de Jarden Consumer Solutions, Boca Raton, Florida 33431.

SPR-121409

Free Manuals Download Website

<http://myh66.com>

<http://usermanuals.us>

<http://www.somanuals.com>

<http://www.4manuals.cc>

<http://www.manual-lib.com>

<http://www.404manual.com>

<http://www.luxmanual.com>

<http://aubethermostatmanual.com>

Golf course search by state

<http://golfingnear.com>

Email search by domain

<http://emailbydomain.com>

Auto manuals search

<http://auto.somanuals.com>

TV manuals search

<http://tv.somanuals.com>