

Oster®

For product questions contact:

Sunbeam Consumer Service
USA : 1.800.334.0759
Canada : 1.800.667.8623
www.oster.com

©2008 Sunbeam Products, Inc. doing business as
Jarden Consumer Solutions. All rights reserved.
Distributed by Sunbeam Products, Inc. doing business as
Jarden Consumer Solutions, Boca Raton, Florida 33431.

Para preguntas sobre los productos llame:
Jarden Consumer Service
EE.UU.: 1.800.334.0759
Canadá: 1.800.667.8623
www.oster.com

©2008 Sunbeam Products, Inc. operando bajo el nombre de
Jarden Consumer Solutions. Todos los derechos reservados.
Distribuido por Sunbeam Products, Inc. operando bajo el
nombre de Jarden Consumer Solutions, Boca Raton, Florida 33431.

SPR-051208-R11

9100200001146
126486/TSP10008ESM1

Printed in China/Impreso en China

P.N. 126486

Oster®

Party Serving Platter
with Electric Warming Center Pot

Fuente para fiestas
con olla térmica eléctrica

User Guide/Guía del usuario:
TSP100, TSP200



Safety
Seguridad



How To Use
Cómo usar



Care & Cleaning
Cuidado y limpieza



Recipes
Recetas



Warranty
Garantía

www.oster.com

IMPORTANT SAFEGUARDS

When using electrical appliances, basic safety precautions should always be followed, including the following:

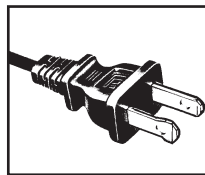
1. **READ ALL INSTRUCTIONS BEFORE USING.**
2. Do not touch hot surfaces.
3. To protect against risk of electrical shock, do not immerse cord, plug or unit in water or other liquid.
4. Close supervision is necessary when any appliance is used by or near children. Never leave appliance unattended.
5. Unplug from outlet when not in use and before cleaning. Allow to cool before putting on or taking off parts.
6. Do not operate any appliance with a damaged cord or plug or after the appliance malfunctions or has been damaged in any manner. Call Oster® Customer Service (See warranty) to return for examination, repair, or adjustment.
7. The use of accessory attachments not recommended by Oster® may cause fire, electrical shock or personal injury.
8. FOR HOUSEHOLD USE ONLY.
9. Do not use outdoors or in a damp area.
10. Do not let cord hang over edge of table or countertop, or touch hot surfaces.
11. Do not place on or near a hot gas or electric burner, or in a heated oven.
12. Caution must be used when moving an appliance containing hot oil or other hot liquids.
13. To disconnect, grasp plug and remove from outlet. Do not pull on cord.
14. Do not use appliance for other than its intended purpose.

SAVE THESE INSTRUCTIONS

This appliance is for **HOUSEHOLD USE ONLY**. No user-serviceable parts inside. Do not attempt to service this product.

A short power-supply cord is provided to reduce the hazards resulting from entanglement or tripping over a longer cord. An extension cord may be used with care; however, the marked electrical rating should be at least as great as the electrical rating of the Oster® Electric Serving Platter with warming center pot. The extension cord should not be allowed to drape over the counter or tabletop where it can be pulled on by children or tripped over unintentionally.

POLARIZED PLUG



This appliance has a polarized plug (one blade is wider than the other). To reduce the risk of electric shock, this plug will fit into a polarized outlet only one way. If the plug does not fit fully into the outlet, reverse the plug. If it still does not fit, contact a qualified electrician. Do not attempt to modify the plug in any way. If the plug fits loosely into the AC outlet or if the AC outlet feels warm do not use that outlet.

NOTE: During initial use of this appliance, some slight smoke and/or odor may be detected. This is normal with many heating appliances and will not recur after a few uses.



Introduction

The Oster® Party Serving Platter has four removable food trays and a heated ceramic warming center pot – everything you need for a party!

The Party Serving Platter is easy to assemble. You can add your ingredients directly into the warming center pot and place it in the microwave for a hot, delicious dip. Place the ceramic warming center pot into the warming base to keep the dip warm for up to three hours. The ceramic warming center pot holds up to 2 cups (19 oz.) of your favorite dip.



FEATURES

- a** Lid
- b** Removable Ceramic Warming Center Pot – 2 cups (19 oz.) capacity, fits into the warming base. Microwave, oven, and dishwasher safe ceramic.
- c** Warming Base – Keeps the contents of the center pot warm.
- d** Melamine Food Trays – dishwasher safe, top rack.
- e** Rotating Base
- f** Cord

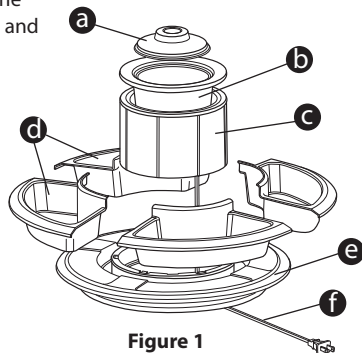


Figure 1



HOW TO

Before First Use

Wash all parts according to the Cleaning and Maintenance section in this manual.

Assembly

1. Place the rotating base on a flat surface.
2. Place the warming base in the center opening of the rotating base with the cord coming under the opening.
3. Place your appetizers and dips in your serving plates according to the following operation instructions.



Operation

The Oster® Electric Serving Platter is designed to serve appetizers and keep your favorite dip, cheese or chocolate at the perfect serving temperature.

NOTE: If a dip recipe calls for meat, poultry, or fish, it must be fully cooked before combining with other ingredients.

1. Remove the lid and ceramic warming center pot from the warming base.
2. Prepare the dip according to the recipe. The ceramic warming center pot should be room temperature when you add the ingredients.
3. If desired, pour the dip in the ceramic warming center pot and heat it up in the oven or microwave.
4. Plug the cord into an electrical outlet.
5. Place the ceramic warming center pot into the warming base and cover with the lid.
6. Add the food items to each individual food tray and place them on the rotating base.
7. Your dip will stay at the perfect serving temperature for many hours.

NOTE: Stir dip occasionally while melting or heating.

Oven and Microwave Instructions

The removable ceramic warming center pot is microwave, oven and dishwasher safe.

Microwave Instructions

1. Add all ingredients to the ceramic warming center pot and cover with a paper towel.
2. Place the covered ceramic warming center pot in the middle of the microwave oven and cook on a medium setting for 2 minutes.
3. Carefully remove the ceramic warming center pot from the microwave oven, remove the paper towel, and stir the dip. Always use oven mitts or pot holders when handling the ceramic warming center pot.
4. If the dip is not completely warmed, replace the paper towel, and cook on a medium setting for an additional 1 minute. Repeat this step, if necessary. Be sure to stir the dip between cook intervals.

Oven Instructions

1. Place the rack into the middle position in the oven and preheat to 300 °F.
2. Add ingredients to the ceramic warming center pot and cover with foil.
3. Place ceramic warming center pot into the oven for approximately 15 minutes.
4. Carefully remove the ceramic warming center pot from the oven, remove the foil, and stir the dip. Always use oven mitts or pot holders when handling the ceramic warming center pot.
5. If the dip is not completely warmed, cover with the foil and cook for an additional 5 minutes. Repeat this step, if necessary. Be sure to stir the dip between cook intervals.





Care & Cleaning

Cleaning and Maintenance

CAUTION: Never immerse the warming base in water or other liquid. Unplug and allow to cool before cleaning. The exterior of the warming base and lid may be cleaned with a soft cloth and warm, soapy water. Wipe dry. Do not use abrasive cleansers.

- The Melamine food trays and lid are top rack dishwasher safe or may be washed with warm soapy water. Do not use abrasive cleaner or sponges to avoid scratching.
- Rotating base can be wiped with damp cloth

Care of Ceramic Pot

- The removable ceramic warming center pot goes safely into the top rack of the dishwasher, or may be washed in hot, soapy water. Do not use abrasive cleansers.
- A cloth, sponge, or rubber spatula will usually remove the residue. To remove water spots and other stains, use a non-abrasive cleaner or vinegar.
- To wash your ceramic warming center pot right after cooking, use hot water. Do not pour in cold water if the ceramic warming center pot is hot.



Recipes

The following recipes instruct you to heat the dip ingredients in the microwave. Always make sure the dip is fully heated to the simmer point before placing the ceramic warming center pot into the warming base. If you are not serving the dip immediately, cover the ceramic warming center pot with the lid to keep warm. For larger crowds, you can quickly prepare refills. Simply double the recipe in a microwave safe bowl, store the remainder in refrigerator and reheat in your microwave as needed.

Chili Con Queso

- | | |
|-------------------------------------|--------------------------------|
| 8 oz. processed cheese, cubed | 1 can of cream of chicken soup |
| 4 oz green chilies, chopped | 1 jar pimentos |
| 1 envelope of green onion/leek soup | |

Place cubed cheese and can of soup into microwave safe dish. Cover with a paper towel. Cook until cheese is melted, about 1-2 minutes, stirring frequently. Add chilies, pimentos, and soup mix then stir. Place in microwave and cook until fully heated through, about 30 seconds. Fill ceramic warming center pot and place in warming base. Store remaining dip in refrigerator and reheat by microwaving it directly in ceramic warming center pot.



Mexican Cheese Dip

1/2 pound processed cheese 8 ounces salsa
1 teaspoon taco seasoning

Cube cheese and place in ceramic warming center pot. Cover with a paper towel. Cook for 1-2 minutes or until cheese is melted. Stir in salsa and seasoning, cover with paper towel and place back in microwave oven for 1 more minute or until heated through completely. Place the ceramic warming center pot in the warming base and serve with taco chips or corn chips.

Layered Bean Dip

1/2 can refried beans or bean dip 1/2 jar salsa
4 ounces guacamole 4 ounces sour cream
1/4 cup grated jack or mild cheddar cheese 2 tablespoons black olives, diced

Layer ceramic warming center pot with ingredients in order listed. Cover with a paper towel. Cook for 1 minute in the microwave oven. Place ceramic warming center pot in the warming base and serve with tortilla or corn chips.

Fiesta Dip

8 ounces canned refried beans 1/2 cup shredded Cheddar cheese
1/4 cup Mexican salsa 1/3 green chili pepper, chopped (optional)

Combine all ingredients and place in the ceramic warming center pot. Cover with a paper towel. Cook for 1 minute in the microwave oven. Stir, cover and microwave for an additional 1-2 minutes until heated through. Place ceramic warming center pot in the warming base and serve with tortilla chips or corn chips.

Creamy Spinach Dip

One 4-ounce package cream cheese, cubed 2 tablespoons heavy or whipping cream
3 tablespoons grated parmesan cheese 1 tablespoon diced pimento
1 teaspoon of finely chopped onion 1/2 teaspoon Worcestershire sauce
pinch thyme pinch garlic salt
4 ounces frozen chopped spinach (1/2 box, thawed and drained)

Combine cream cheese and whipping cream in greased ceramic warming center pot. Cover with a paper towel. Cook for 1-2 minutes, until cheese is melted, stirring often. Add remaining ingredients. Replace paper towel and cook for an additional minute or until fully heated through. Serve with raw vegetables, crackers or toasted baguette rounds.

Hot Artichoke Dip

One 6-ounce jar marinated artichoke hearts, drained and chopped 1/3 cup mayonnaise
1/3 cup sour cream 1 tablespoon diced pimento
1/2 cup grated parmesan cheese

Combine all ingredients in the ceramic warming center pot. Cover with a paper towel. Cook 1-2 minutes or until dip is heated through. Place ceramic warming center pot in warming base and serve with tortilla chips.



Hearty Beef Dip

| | |
|---|------------------------|
| 8 ounces cream cheese, cubed | 1/4 cup of milk |
| 1/2 of a 2 1/2 ounce package sliced dried beef, diced | 1/4 cup chopped pecans |
| 2 tablespoons chopped green onion | 1 clove garlic, minced |

Layer ingredients in the following order: cream cheese, milk, beef, pecans, onions, and garlic. Cover with a paper towel and microwave until cheese is melted, 1-2 minutes. Place ceramic warming center pot in warming base and serve with vegetables, crackers, or bread pieces.

Hot Crab Dip

| | |
|---------------------------------|-----------------------------------|
| 4 oz. cream cheese, cubed | 1 tablespoon heavy whipping cream |
| 1/3 cup parmesan cheese | 4 ounces lump crabmeat |
| 1/3 envelope dry onion soup mix | dash Worcestershire sauce |
| 1 clove garlic, minced | 1 teaspoon lemon juice |
| salt to taste | fresh chives, minced, for garnish |

Combine the cream cheese and whipping cream in the ceramic warming center pot. Cover with a paper towel and microwave until the cheese is melted, about 1-2 minutes. Add the parmesan cheese, crabmeat, onion soup mix, Worcestershire sauce, and garlic; stir thoroughly. Cover and cook in microwave for an additional minute or until it starts to simmer, stirring often. Stir in lemon juice and salt to taste. Garnish with minced chives and place ceramic warming center pot in warming base. Serve with thinly sliced, toasted baguette rounds or pita chips.

Arizona Black Bean Dip

| | |
|--|---|
| 7 ounces canned black beans (1/2 can), drained | 1/2 onion, finely diced |
| 4 cloves garlic, minced | 1 tablespoon ground cumin |
| 1 teaspoon cayenne pepper | 4 ounces fresh goat cheese, crumbled |
| 2 tablespoons fresh cilantro, chopped | 1 tablespoon green onions, thinly sliced, reserving 1/2 for garnish |

Combine all the ingredients in the ceramic warming center pot, reserving 1/2 the green onions. Cover with a paper towel. Cook 1 1/2 to 2 1/2 minutes, or until the cheese has melted and is bubbly. Place the ceramic warming center pot in the warming base, garnish with remaining green onions and serve with your favorite corn chips.

Mexican Hot Fudge Sauce

| | |
|---|-----------------------------------|
| 3/4 cup heavy cream | 1/4 cup light brown sugar, packed |
| 6 ounces bittersweet chocolate, chopped | 1/4 cup butter |
| 1 teaspoon cinnamon | |

Add cream and brown sugar to a small saucepan set over medium to medium-high heat. Bring to a boil, stirring occasionally, until the sugar is dissolved completely. Remove pan from heat and add the chocolate, stir with a spatula until the chocolate is completely melted. Stir in butter and cinnamon until sauce is very smooth. Pour into ceramic warming center pot and place in the warming base. Serve with strawberries, sliced bananas, brownies or cookies.





One-Year Limited Warranty

Sunbeam Products, Inc. doing business as Jarden Consumer Solutions or if in Canada, Sunbeam Corporation (Canada) Limited doing business as Jarden Consumer Solutions (collectively "JCS") warrants that for a period of one year from the date of purchase, this product will be free from defects in material and workmanship. JCS, at its option, will repair or replace this product or any component of the product found to be defective during the warranty period. Replacement will be made with a new or remanufactured product or component. If the product is no longer available, replacement may be made with a similar product of equal or greater value. This is your exclusive warranty. Do NOT attempt to repair or adjust any electrical or mechanical functions on this product. Doing so will void this warranty.

This warranty is valid for the original retail purchaser from the date of initial retail purchase and is not transferable. Keep the original sales receipt. Proof of purchase is required to obtain warranty performance. JCS dealers, service centers, or retail stores selling JCS products do not have the right to alter, modify or any way change the terms and conditions of this warranty.

This warranty does not cover normal wear of parts or damage resulting from any of the following: negligent use or misuse of the product, use on improper voltage or current, use contrary to the operating instructions, disassembly, repair or alteration by anyone other than JCS or an authorized JCS service center. Further, the warranty does not cover: Acts of God, such as fire, flood, hurricanes and tornadoes.

What are the limits on JCS's Liability?

JCS shall not be liable for any incidental or consequential damages caused by the breach of any express, implied or statutory warranty or condition.

Except to the extent prohibited by applicable law, any implied warranty or condition of merchantability or fitness for a particular purpose is limited in duration to the duration of the above warranty.

JCS disclaims all other warranties, conditions or representations, express, implied, statutory or otherwise.

JCS shall not be liable for any damages of any kind resulting from the purchase, use or misuse of, or inability to use the product including incidental, special, consequential or similar damages or loss of profits, or for any breach of contract, fundamental or otherwise, or for any claim brought against purchaser by any other party.

Some provinces, states or jurisdictions do not allow the exclusion or limitation of incidental or consequential damages or limitations on how long an implied warranty lasts, so the above limitations or exclusion may not apply to you.

This warranty gives you specific legal rights, and you may also have other rights that vary from province to province, state to state or jurisdiction to jurisdiction.

How to Obtain Warranty Service

In the U.S.A.

If you have any question regarding this warranty or would like to obtain warranty service, please call 1-800-334-0759 and a convenient service center address will be provided to you.

In Canada

If you have any question regarding this warranty or would like to obtain warranty service, please call 1-800-667-8623 and a convenient service center address will be provided to you.

In the U.S.A., this warranty is offered by Sunbeam Products, Inc. doing business as Jarden Consumer Solutions located in Boca Raton, Florida 33431. In Canada, this warranty is offered by Sunbeam Corporation (Canada) Limited doing business as Jarden Consumer Solutions, located at 20 B Hereford Street, Brampton, Ontario L6Y 0M1. If you have any other problem or claim in connection with this product, please write our Consumer Service Department.

PLEASE DO NOT RETURN THIS PRODUCT TO ANY OF THESE ADDRESSES OR TO THE PLACE OF PURCHASE.



www.oster.com

Download from www.Somanuals.com. All Manuals Search And Download.

www.oster.com





Notes

CUIDADOS IMPORTANTES

Al usar electrodomésticos, siempre se deben seguir precauciones básicas de seguridad incluyendo las siguientes:

1. **LEA TODAS LAS INSTRUCCIONES ANTES DE USAR.**
2. No toque las superficies calientes.
3. Para protegerse del riesgo de un choque eléctrico, no coloque en agua ni en ningún otro líquido el cable, el tomacorriente o la unidad.
4. Al usar cualquier electrodoméstico cerca de niños es necesario efectuar una vigilancia estrecha. Nunca deje el electrodoméstico abandonado.
5. Desenchúfelo cuando no lo vaya a usar y antes de limpiarlo. Permita que se enfríe antes de colocar o retirar piezas.
6. No haga funcionar ningún electrodoméstico que tenga el cordón o tomacorrientes dañados o después de que el aparato haya fallado. Llame a Servicio a clientes de Oster® (consulte la garantía) para devolverlo para su examen, reparación o ajuste.
7. Usar accesorios no recomendados por Oster® pueden causar incendio, choque eléctrico o lesiones personales.
8. **SÓLO PARA USO EN CASA.**
9. No usar a la intemperie o en un área húmeda.
10. No deje que el cable quede colgando del borde de la mesa o mostrador ni que toque superficies calientes.
11. No la coloque encima o cerca de un quemador eléctrico o a gas que esté caliente ni tampoco dentro de un horno caliente.
12. Tenga cuidado al trasladar o mover un electrodoméstico que contenga aceite u otros líquidos calientes.
13. Para desconectarla, sujete el tomacorriente y retírelo del enchufe. No tire el cable.
14. No use este electrodoméstico para nada más que para lo que fue diseñado.

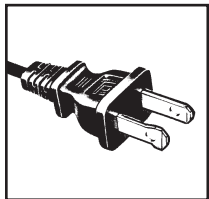


GUARDE ESTAS INSTRUCCIONES

Este electrodoméstico es **SÓLO PARA USO EN CASA**. No contiene piezas que requieran servicio. No intente darle servicio a este producto.

Se entrega con un cable eléctrico corto con el fin de reducir el peligro de enredarse o tropezarse con un cable largo. Sin embargo, se puede usar un cable de extensión con cuidado aunque éste debiera tener una clasificación eléctrica similar o mayor que la clasificación eléctrica de la Fuente para fiestas con olla térmica eléctrica. No debe permitir que el cable de extensión quede colgando de una encimera o mesa y que pueda ser tirado por niños o con el que se puedan tropezar.

TOMACORRIENTE POLARIZADO



Este electrodoméstico está equipado con un tomacorriente polarizado (tiene una pata más ancha que la otra). Para reducir el riesgo de choque eléctrico, este tomacorriente entrará en un enchufe polarizado sólo de una manera. Si no puede enchufarlo, contacte a un electricista calificado. No intente modificar el tomacorriente polarizado de ninguna forma. Si el tomacorriente queda suelto en el enchufe o si el enchufe se siente caliente, no use ese enchufe.

NOTA: durante el uso inicial del electrodoméstico, podría notarse algo de humo u olor a quemado. Esto es normal con muchos electrodomésticos que calientan o entibian y no volverán a presentarse después de unos pocos usos.

Introducción

La Fuente para fiestas de Oster® tiene cuatro bandejas extraíbles para alimentos y una olla central de cerámica para entibiar —¡todo lo que necesita para una fiesta!

La Fuente para fiestas es fácil de armar. Puede agregar sus ingredientes directamente en la olla central para entibiar y colocarlos en el microondas para obtener una salsa caliente y deliciosa. Coloque la olla central de cerámica para entibiar en la base para mantener la salsa tibia hasta dos tazas (19 onzas) de su salsa favorita.



CARACTERÍSTICAS

- a** Tapa
- b** Olla central de cerámica para entibiar retirable – capacidad de 2 tazas (19 oz.), se ajusta en la base para entibiar. Cerámica segura para usar en horno de microondas, horno convencional y lavavajillas.
- c** Base para entibiar – mantiene tibio el contenido de la olla central.
- d** Bandejas para alimentos de melamina – se pueden usar en el lavavajillas, bandeja superior.
- e** Base rotatoria
- f** Cable

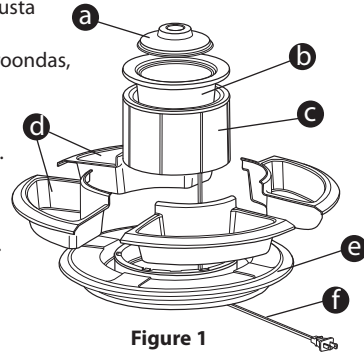


Figure 1





CÓMO USAR

Antes de usar la primera vez

Lave todas las piezas de acuerdo a lo indicado en la sección Cuidado y limpieza en este manual.

Armado

1. Sitúe la base rotatoria sobre una superficie plana.
2. Ponga la base para entibiar en la abertura central de la base rotatoria con el cable saliendo por debajo de la abertura.
3. Coloque sus entremeses y salsas en sus bandejas para servir de acuerdo a las siguientes instrucciones de funcionamiento.

Funcionamiento

La Fuente para fiestas de Oster® está diseñada para servir entremeses y mantener su salsa favorita — de queso o chocolate — a la temperatura perfecta para servirla.

NOTA: si una receta incluye carne, ave o pescado, estos deben estar completamente cocinados antes de combinarlos con otros ingredientes.

1. Retire la tapa y olla central de cerámica de la base para entibiar.
2. Prepare la salsa según la receta. La olla central de cerámica para entibiar debe estar a temperatura ambiente cuando le agregue los ingredientes.
3. Si lo desea vacíe la salsa en la olla central de cerámica para entibiar y caliéntela en el horno o en el microondas.
4. Enchufe el cable eléctrico a la pared.
5. Coloque la olla central de cerámica en la base y tápela con la tapa.
6. Agregue los alimentos en cada bandeja individual y colóquelas en la base rotatoria.
7. Su salsa se mantendrá a la temperatura perfecta para servir durante varias horas.

NOTA: revuelva ocasionalmente la salsa mientras se derrite o se entibia.



Instrucciones para horno convencional y horno de microondas

La olla central de cerámica para entibiar se puede usar en hornos de microondas, hornos convencionales y en lavavajillas.

Instrucciones para horno de microondas

1. Agregue los ingredientes a la olla central de cerámica para entibiar y cúbralos con una toalla de papel.
2. Coloque la olla central de cerámica para entibiar cubierta en el centro del horno de microondas y cocine a media potencia durante 2 minutos.
3. Saque cuidadosamente del horno de microondas la olla central de cerámica para entibiar, retire la toalla de papel y revuelva la salsa. Siempre use mitones para horno o sujetaollas para manipular la olla central de cerámica para entibiar.
4. Si la salsa no está completamente tibia, reemplace la toalla de papel y cocine a media potencia por 1 minuto adicional. Repita este paso si es necesario. Asegúrese de revolver la salsa en los intervalos de cocción.

Instrucciones para horno convencional

1. Ponga la parrilla en la posición central en el horno y caliéntelo a 300°F (150° C).
2. Agregue los ingredientes a la olla central de cerámica para entibiar y cúbrala con papel aluminio.
3. Coloque la olla central de cerámica para entibiar en el horno durante unos 15 minutos.
4. Saque cuidadosamente del horno la olla central de cerámica para entibiar, retire el papel aluminio y revuelva la salsa. Siempre use mitones para horno o sujetaollas para manipular la olla central de cerámica para entibiar.

5. Si la salsa no está completamente tibia, cúbrala con el papel aluminio y cocínela por 5 minutos adicionales. Repita este paso si es necesario. Asegúrese de revolver la salsa en los intervalos de cocción.



Cuidado y limpieza

Limpieza y mantenimiento

CUIDADO: nunca sumerja la base para entibiar en agua o en cualquier otro líquido. Desenchúfela y permita que se enfríe antes de limpiarla. El exterior de la base para entibiar y la tapa pueden limpiarse con un paño suave y con agua tibia y jabón. Séquela con un paño. No use limpiadores abrasivos.

- Las bandejas de alimentos de melamina y la tapa se pueden colocar en la bandeja superior del lavavajillas o lavarse con agua tibia y jabón. No use limpiadores ni esponjas abrasivas para evitar rayaduras.
- La base rotatoria se puede limpiar con un paño húmedo.

Cuidado de la olla cerámica

- La olla central de cerámica se puede poner en la bandeja superior del lavavajillas o se puede lavar con agua caliente y jabón. No use limpiadores abrasivos.
- Generalmente un paño, una esponja o una espátula de caucho quitará los residuos. Para eliminar las manchas de agua y otras manchas, use un limpiador no abrasivo o vinagre.
- Para lavar la olla central de cerámica inmediatamente después de ocuparla, use agua caliente. No deje caer agua fría si la olla central de cerámica aún está caliente.





Recetas

Las siguientes recetas le indican calentar los ingredientes de la salsa en el horno de microondas. Siempre asegúrese de que la salsa esté completamente caliente al punto de hervido a fuego lento antes de colocar la olla central de cerámica para entibiar en la base para entibiar. Si no servirá inmediatamente la salsa, cubra la olla central de cerámica para entibiar con la tapa para mantenerla tibia. Para un grupo grande de comensales puede preparar rápidamente más salsa para rellenar. Simplemente duplique la receta en un recipiente que se pueda usar en un horno de microondas, guarde el resto en el refrigerador y vuelva a calentarla cuando sea necesario.

Chili con queso

- 8 oz. de queso procesado en cubos 1 lata de crema de sopa de pollo
- 4 onzas de chiles verdes picados 1 frasco de pimientos
- 1 sobre de sopa de cebolla verde/puerro

Ponga el queso cortado en cubos y la lata de sopa en un recipiente para usar en horno de microondas. Cúbralo con una toalla de papel. Cocine hasta que se derrita el queso, uno a dos minutos, revuelva frecuentemente. Añada los chiles, pimientos y mezcla de sopa, luego revuelva. Coloque en el horno de microondas y cocine hasta que esté completamente caliente, unos 30 segundos. Llène la olla central de cerámica para entibiar y póngala en la base para entibiar. Guarde la salsa restante en el refrigerador y vuelva a calentarla en el horno de microondas directamente en la olla central de cerámica para entibiar.

Salsa mexicana de queso

- 1/2 libra de queso procesado 8 onzas de salsa
- 1 cucharadita de condimento para tacos

Corte el queso en cubos y colóquelo en la olla central de cerámica para entibiar. Cubra con una toalla de papel. Cocine durante 1 a 2 minutos o hasta que se derrita el queso. Revuelva la salsa y el condimento, cubra con una toalla de papel y vuelva a colocarlo en el horno de microondas por 1 minuto más o hasta que esté completamente caliente. Ponga la olla central de cerámica para entibiar en la base para entibiar y sirva con chips de tacos o de maíz.

Salsa de frijoles por capas

- 1/2 lata de frijoles refritos o 1/2 jarro de salsa
salsa de frijoles
- 4 onzas de guacamole 4 onzas de crema ácida
- 1/4 taza de queso rallado 2 cucharadas de aceitunas
jack o Cheddar suave negras picadas

Cubra la olla central de cerámica para entibiar en capas con los ingredientes de acuerdo al orden indicado. Cubra con una toalla de papel. Cocine durante 1 minuto en el horno de microondas. Ponga la olla central de cerámica para entibiar en la base para entibiar y sirva con chips de tortilla o de maíz.

Salsa fiesta

- 8 onzas de frijoles refritos enlatados 1/2 taza de queso Cheddar rallado
- 1/4 taza de salsa mexicana 1/3 de pimiento verde picado
(opcional)

Combine todos los ingredientes y colóquelos en la olla central de cerámica para entibiar. Cubra con una toalla de papel. Cocine por 1 minuto en el horno de microondas. Revuelva, cubra y ponga en el horno de microondas por 1 a 2 minutos adicionales hasta que esté completamente caliente. Coloque la olla central de cerámica para entibiar en la base para entibiar y sirva con chips de tortilla o de maíz.



Salsa de crema de espinacas

- | | |
|---|--|
| Un paquete de 4 onzas de queso crema en cubos | 2 cucharadas de crema batida, crema doble o nata |
| 3 cucharadas de queso parmesano rallado | 1 cucharadita de pimienta picada |
| 1 cucharadita de cebolla picada fina | 1/2 cucharadita de salsa Worcestershire |
| 4 onzas de espinaca picada congelada (1/2 caja, descongelada y escurrida) | |

Combine el queso crema y crema batida en la olla central de cerámica para entibiar enmantequillada. Cubra con una toalla de papel. Cocine por 1 a 2 minutos, hasta que se derrita el queso, revolviendo frecuentemente. Añada los demás ingredientes. Reemplace la toalla de papel y cocine durante un minuto adicional o hasta que esté completamente caliente. Sirva con verduras crudas, galletas saladas o rodajas de baguette tostado.

Salsa caliente de alcachofas

- | | |
|--|-------------------------------------|
| Un jarro de 6 onzas de corazones de alcachofas marinados, escurridos y picados | 1/3 taza de mayonesa |
| 1/2 taza de crema ácida | 1/2 taza de queso parmesano rallado |
| | 1 cucharada de pimienta picada |

Combine todos los ingredientes en la olla central de cerámica para entibiar. Cubra con una toalla de papel. Cocine por 1 a 2 minutos o hasta que la salsa esté completamente caliente. Coloque la olla central de cerámica para entibiar en la base para entibiar y sirva con chips de tortilla.

Sustanciosa salsa de carne

- | | |
|--|--------------------------------|
| 8 onzas de queso crema en cubos | 1/4 taza de leche |
| 1/2 paquete de 2 1/2 onzas de carne seca rebanada y picada | 1/4 taza de nuez pacana picada |
| 2 cucharadas de cebolla verde picada | 1 diente de ajo picado |

Coloque los ingredientes por capas en el siguiente orden: queso crema, leche, carne, nueces pacanas, cebollas y ajo. Cubra con una toalla de papel y colóquelos en el horno de microondas hasta que se derrita el queso, entre 1 y 2 minutos. Coloque la olla central de cerámica para entibiar en la base para entibiar y sirva con verduras, galletas saladas o trozos de pan.

Salsa caliente de cangrejo

- | | |
|---|---|
| 4 onzas de queso crema en cubos | 1 cucharada de crema de batir |
| 1/3 taza de queso parmesano | 4 onzas de carne de cangrejo en trozos |
| 1/3 de sobre de mezcla seca para sopa de cebollas | Poquito de salsa Worcestershire |
| 1 diente de ajo picado | 1 cucharadita de jugo de limón |
| Sal a gusto | Cebollines frescos picados para adornar |

Combine el queso crema y la crema batida en la olla central de cerámica para entibiar. Cubra con una toalla de papel y colóquelo en el horno de microondas hasta que se derrita el queso, alrededor de 1 a 2 minutos. Añada el queso parmesano, cangrejo, mezcla de sopa de cebolla, salsa Worcestershire y ajo; revuelva bien. Cubra y cocine en el horno de microondas por un minuto adicional o hasta que comience a hervir, revuelva frecuentemente. Incorpore y revuelva el jugo de limón y la sal. Adorne con los cebollines picados y coloque la olla central de cerámica para entibiar en la base para entibiar. Sirva con rebanadas finas de baguette tostado o chips de pan pita.



Salsa Arizona de frijoles negros

- | | |
|--|---|
| 7 onzas de frijoles negros enlatados (1/2 lata), escurridos | 1/2 cebolla picada fina |
| 4 dientes de ajo picados | 1 cucharada de comino molido |
| 1 cucharadita de pimienta cayena | 4 onzas de queso de cabra fresco desmenuzado |
| 2 cucharadas de cilantro fresco picado | 1 cucharada de cebollas verdes, rebanadas finas y guardando 1/2 para adorno |

Combine todos los ingredientes en la olla central de cerámica para entibiar, reservando la mitad de las cebollas verdes. Cubra con una toalla de papel. Cocine por 1 1/2 a 2 1/2 minutos, o hasta que el queso se derrita y quede burbujeando. Coloque la olla central de cerámica para entibiar en la base para entibiar, adorne con el resto de cebollas verdes y sirva con sus chips favoritos de maíz.

Salsa mexicana caliente de caramelo (fudge)

- | | |
|------------------------------------|--|
| 3/4 taza de crema espesa | 1/4 taza de azúcar morena fina en paquete |
| 6 onzas de chocolate amargo picado | 1/4 taza de mantequilla |
| 1 cucharadita de canela | |

Añada la crema y azúcar morena a una sartén pequeña colocada sobre fuego medio a medio-alto. Haga hervir, revolviendo frecuentemente, hasta que el azúcar esté completamente disuelta. Retire la sartén del fuego y añada el chocolate, revuelva con una espátula hasta que el chocolate esté completamente derretido. Revuelva con la mantequilla y canela hasta que la salsa quede muy suave. Vacíe en la olla central de cerámica para entibiar y colóquela en la base para entibiar. Sirva con fresas, bananas en rodajas, bizcocho de chocolate y nueces (brownies) o galletas.



Notas





Garantía Limitada de 1 Año

Sunbeam Products, Inc. operando bajo el nombre de Jarden Consumer Solutions, o en Canadá, Sunbeam Corporation (Canada) Limited operando bajo el nombre de Jarden Consumer Solutions, (en forma conjunta, "JCS"), garantiza que por un período de un año a partir de la fecha de compra, este producto estará libre de defectos de materiales y mano de obra. JCS, a su elección, reparará o reemplazará este producto o cualquier componente del mismo que presente defectos durante el período de garantía. El reemplazo se realizará por un producto o componente nuevo o reparado. Si el producto ya no estuviera disponible, se lo reemplazará por un producto similar de valor igual o superior. Ésta es su garantía exclusiva. No intente reparar o ajustar ninguna función eléctrica o mecánica de este producto. Al hacerlo eliminará ésta garantía.

La garantía es válida para el comprador minorista original a partir de la fecha de compra inicial y la misma no es transferible. Conserve el recibo de compra original. Para solicitar servicio en garantía se requiere presentar un recibo de compra. Los agentes y centros de servicio de JCS o las tiendas minoristas que venden productos de JCS no tienen derecho a alterar, modificar ni cambiar de ningún otro modo los términos y las condiciones de esta garantía.

Esta garantía no cubre el desgaste normal de las piezas ni los daños que se produzcan como resultado de uso negligente o mal uso del producto, uso de voltaje incorrecto o corriente inapropiada, uso contrario a las instrucciones operativas, y desarme, reparación o alteración por parte de un tercero ajeno a JCS o a un Centro de Servicio autorizado por JCS. Asimismo, la garantía no cubre actos fortuitos tales como incendios, inundaciones, huracanes y tornados.

¿Cuál es el límite de responsabilidad de JCS?

JCS no será responsable de daños incidentales o emergentes causados por el incumplimiento de alguna garantía o condición expresa, implícita o legal.

Excepto en la medida en que lo prohíba la ley aplicable, cualquier garantía o condición implícita de comerciabilidad o aptitud para un fin determinado se limita, en cuanto a su duración, al plazo de la garantía antes mencionada.

JCS queda exenta de toda otra garantías, condiciones o manifestaciones, expresa, implícita, legal o de cualquier otra naturaleza.

JCS no será responsable de ningún tipo de daño que resulte de la compra, uso o mal uso del producto, o por la imposibilidad de usar el producto, incluidos los daños incidentales, especiales, emergentes o similares, o la pérdida de ganancias, ni de ningún incumplimiento contractual, sea de una obligación esencial o de otra naturaleza, ni de ningún reclamo iniciado contra el comprador por un tercero.

Algunas provincias, estados o jurisdicciones no permiten la exclusión o limitación de los daños incidentales o emergentes ni las limitaciones a la duración de las garantías implícitas, de modo que es posible que la exclusión o las limitaciones antes mencionadas no se apliquen en su caso.

Esta garantía le otorga derechos legales específicos y es posible que usted tenga otros derechos que varían de un estado, provincia o jurisdicción a otro.

Cómo solicitar el servicio en garantía

En los Estados Unidos

Si tiene alguna pregunta sobre esta garantía o desea recibir servicio de garantía, llame al 1-800-334-0759 y podrá obtener la dirección del centro de servicio que le resulte más conveniente

En Canadá

Si tiene alguna pregunta sobre esta garantía o desea recibir servicio de garantía, llame al 1-800-667-8623 y podrá obtener la dirección del centro de servicio que le resulte más conveniente.

En los Estados Unidos, esta garantía es ofrecida por Sunbeam Products, Inc. operando bajo el nombre de Jarden Consumer Solutions, Boca Ratón, Florida 33431. En Canadá, esta garantía es ofrecida por Sunbeam Corporation (Canada) Limited operando bajo el nombre de Jarden Consumer Solutions, 20 B Hereford Street, Brampton, Ontario L6Y 0M1. Si usted tiene otro problema o reclamo en conexión con este producto, por favor escriba al Departamento de Servicio al Consumidor

POR FAVOR NO DEVUELVA ESTE PRODUCTO A NINGUNA DE ESTAS DIRECCIONES NI AL LUGAR DE COMPRA.



Free Manuals Download Website

<http://myh66.com>

<http://usermanuals.us>

<http://www.somanuals.com>

<http://www.4manuals.cc>

<http://www.manual-lib.com>

<http://www.404manual.com>

<http://www.luxmanual.com>

<http://aubethermostatmanual.com>

Golf course search by state

<http://golfingnear.com>

Email search by domain

<http://emailbydomain.com>

Auto manuals search

<http://auto.somanuals.com>

TV manuals search

<http://tv.somanuals.com>