



For product questions contact:

Sunbeam Consumer Service

USA : 1.800.334.0759

Canada : 1.800.667.8623

www.oster.com

©2009 Sunbeam Products, Inc. doing business as Jarden Consumer Solutions. All rights reserved.
Distributed by Sunbeam Products, Inc. doing business as Jarden Consumer Solutions, Boca Raton, Florida 33431.

Para preguntas sobre los productos llame:

Sunbeam Consumer Service

EE.UU.: 1.800.334.0759

Canada : 1.800.667.8623

www.oster.com

©2009 Sunbeam Products, Inc. operando bajo el nombre de Jarden Consumer Solutions. Todos los derechos reservados. Distribuido por Sunbeam Products, Inc. operando bajo el nombre de Jarden Consumer Solutions, Boca Raton, Florida 33431.

SPR-121009

Printed in China

P.N. 137815 Rev. A

Impreso en China



Folding Electric Griddle

Plancha Eléctrica Plegable

User Guide/ Guía del Usuario:

CKSTGRFM18



Safety
Seguridad



How to use
Cómo usar



Cleaning
Cuidado y Limpieza



Warranty
Garantía

www.oster.com

IMPORTANT SAFEGUARDS

When using electrical appliances, basic safety precautions should always be followed, including the following:

1. **Read all instructions before using.**
2. Do not touch hot surfaces. Use handles or knobs.
3. To protect against electrical shock, do not immerse cord in water or other liquid.
4. Close supervision is necessary when any appliance is used near children. This appliance should not be used by children.
5. Unplug from outlet when not in use and before cleaning. Allow to cool before putting on or taking off parts, and before cleaning and folding the appliance.
6. Do not operate any appliance with a damaged cord or plug or after the appliance malfunctions or has been damaged in any manner.
7. The use of accessory attachments not recommended by the appliance manufacturer may cause injuries.
8. Do not use outdoors.
9. Do not let cord hang over edge of table or counter, or touch hot surfaces.
10. Do not place on or near a hot gas or electric burner, or in a heated oven.
11. Extreme caution must be used when moving an appliance containing hot oil or other hot liquids.
12. Always attach plug to appliance first, then plug cord into the wall outlet. To disconnect, turn any control to MIN then remove plug from wall outlet.
13. Do not use appliance for other than intended use.
14. Be sure the control is turned to MIN position and the Griddle has cooled completely before folding.

THIS UNIT IS INTENDED FOR HOUSEHOLD USE ONLY.

SAVE THESE INSTRUCTIONS

This appliance is for HOUSEHOLD USE ONLY. No user-serviceable parts inside. Do not attempt to service this product. A short power supply cord is provided to reduce the hazards resulting from entanglement or tripping over a longer cord. AN EXTENSION CORD MAY BE USED WITH CARE; HOWEVER, THE MARKED ELECTRICAL RATING SHOULD BE AT LEAST AS GREAT AS THE ELECTRICAL RATING OF THE GRIDDLE. The extension cord should not be allowed to drape over the counter or tabletop where it can be pulled on by children or tripped over unintentionally.

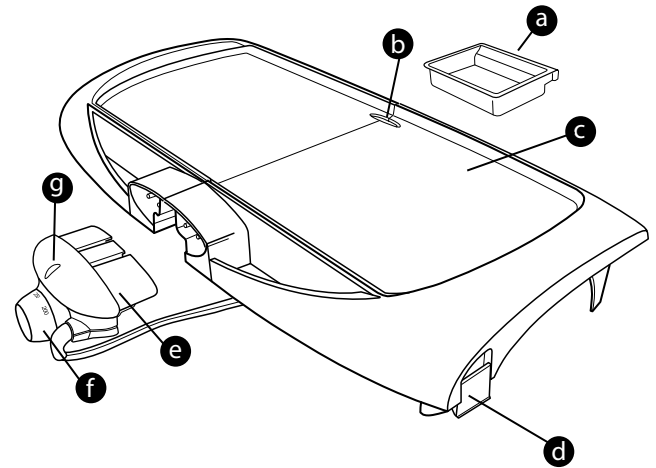
To reduce the risk of electrical shock, this appliance has a polarized plug (one blade is wider than the other). This plug fits a polarized outlet only one way. This is a safety feature intended to help reduce the risk of electrical shock. If the plug does not fit fully into the outlet, reverse the plug. If it still does not fit, contact a qualified electrician. Do not attempt to defeat this safety feature.

ELECTRIC POWER: If electric circuit is overloaded with other appliances, the Griddle may not operate properly. The Griddle must be operated on a separate circuit from other operating appliances.



Thank you for purchasing the OSTER® Folding Electric Griddle. Before you use this product for the first time, please take a few moments to read these instructions and keep it for reference. Pay particular attention to the Safety Instructions provided. Please review the product service and warranty statements. To learn more about Oster® products, please visit us at www.oster.com or call us at 1-800-334-0759.

LEARNING ABOUT YOUR FOLDING ELECTRIC GRIDDLE



- a** Drip Tray
- b** Drip Hole
- c** Cooking Plates
- d** Handle Latch
- e** Removable Temperature Probe
- f** Temperature Control Knob
- g** Power Indicator Light





HOW TO:

Before first use

- 1 This appliance is designed for indoor use only. It is a stand-alone Griddle. Do not use charcoal, lighter fluids, or gases with this appliance.
- 2 Wash the Cooking Plates and Drip Tray with hot, soapy water. Rinse and dry thoroughly.
- 3 Unfold the Griddle and insert the Drip Tray under the Drip Hole on the unit.

NOTE: Griddle is dishwasher safe with Temperature Probe removed.

CAUTION: Do not immerse the Temperature Probe in water or other liquids.

- 4 Insert the Temperature Probe into front of unit.
- 5 Condition the non-stick Cooking Plates with vegetable oil, wiping off any excess with a paper towel.

Using your Electric Griddle

- 1 Place the Griddle on a flat, level surface, such as a countertop or table.
- 2 Make sure the Temperature Control Knob is in the "MIN" position and Drip Tray is properly inserted.
- 3 Plug Griddle into a 120 volt 60Hz AC outlet.
- 4 Preheat the Griddle by aligning the Temperature Control Knob indicator with the appropriate temperature setting for approximately 15 minutes prior to use. The Power Indicator Light will illuminate, indicating that the griddle is in use. When the Power Indicator Light goes out, the Griddle surface is preheated to the desired temperature and is ready for use. **During cooking, the Power Indicator Light will go on and off indicating that the surface temperature is being maintained.**

Note: See the Cooking Time and Temperature Chart on page 8 for suggested cook times.

- 5 Use only wood, nylon, or heat-proof plastic utensils. Metal utensils will scratch the non-stick Cooking Plates of the Griddle. **NOTE:** Never cut food with a knife on the Griddle.
- 6 When cooking is complete, turn the Temperature Control Knob to the "MIN" position and unplug the Power Cord from the outlet.
- 7 Allow griddle to cool before removing grease tray and temperature control probe and cleaning.

NOTE: When cooking consecutive batches of bacon or other high fatty foods, it may be necessary to empty the Drip Tray to avoid grease from overflowing.

CAUTION: Some countertops are more sensitive to heat. Use care not to place the Griddle on surfaces where heat may cause damage.

Cooking Time and Temperature

FOOD	TEMP.*	TIME	DIRECTIONS
EGGS, fried	300° F	3 to 5 min.	Turn halfway into cooking time.
BACON	350° F	8 to 14 min.	Turn often.
SAUSAGE	350° F	20 to 30 min.	Turn halfway into cooking time.
FRENCH TOAST	350° F	6 to 10 min.	Turn halfway into cooking time.
HAMBURGER	350° F	8 to 14 min.	Turn halfway into cooking time.
HAM SLICES	350° F	14 to 18 min.	Turn halfway into cooking time.
SANDWICHES	350° F	6 to 10 min.	Butter outside and brown both sides.
PORK CHOPS	350° F	20 to 30 min.	Brown both sides, reduce temp. to 250° F. Turn halfway into cooking time.
POTATOES	350° F	10 to 12 min.	Turn halfway into cooking time.
STEAKS			
Rare	400° F	4 to 6 min.	Turn halfway into cooking time.
Medium	400° F	7 to 12 min.	Turn halfway into cooking time.
Well Done	400° F	13 to 18 min.	Turn halfway into cooking time.
PANCAKES	350° F	2 to 6 min.	Pour batter onto griddle. When bubbles appear on top, turn.

*Preheat Griddle for 15 minutes





CARE & CLEANING

This appliance should be cleaned after every use.

- 1 After using, unplug the Power Cord from the outlet. Allow Griddle and Cooking Plates to cool before cleaning.
- 2 Remove Drip Tray and empty the contents.
- 3 Wash the Griddle, Griddle Plates and Drip Tray with warm, soapy water. Dry thoroughly.

NOTE: All parts except the temperature probe are fully immersible and dishwasher safe.

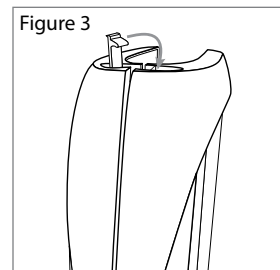
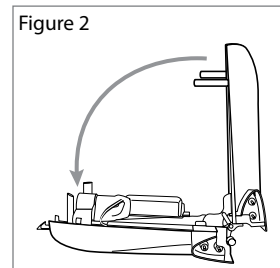
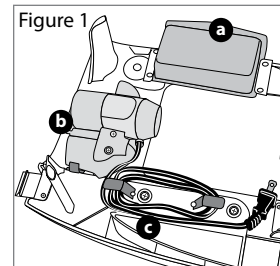
NOTE: Do not use steel wool scouring pads or harsh cleaners on any part of the appliance. If necessary, use a nylon scouring pad.



HOW TO:

Storing your Folding Electric Griddle

- 1 Before folding the griddle and locking the handles together, replace the Drip Tray. (See Figure 1 **a**) The Temperature Probe can also be stored by locking the probe between the two tabs (See Figure 1 **b**) and wrapping the the power cord around the convenient cord storage. (See Figure 1 **c**)
- 2 Fold the griddle (See Figure 2) and use the Handle Latch to lock both handles together (See Figure 3).
- 3 You are now ready to store your Griddle in a compact area.





1 Year Limited Warranty

Sunbeam Products, Inc. doing business as Jarden Consumer Solutions or if in Canada, Sunbeam Corporation (Canada) Limited doing business as Jarden Consumer Solutions (collectively "JCS") warrants that for a period of one year from the date of purchase, this product will be free from defects in material and workmanship. JCS, at its option, will repair or replace this product or any component of the product found to be defective during the warranty period. Replacement will be made with a new or remanufactured product or component. If the product is no longer available, replacement may be made with a similar product of equal or greater value. This is your exclusive warranty. Do NOT attempt to repair or adjust any electrical or mechanical functions on this product. Doing so will void this warranty.

This warranty is valid for the original retail purchaser from the date of initial retail purchase and is not transferable. Keep the original sales receipt. Proof of purchase is required to obtain warranty performance. JCS dealers, service centers, or retail stores selling JCS products do not have the right to alter, modify or any way change the terms and conditions of this warranty.

This warranty does not cover normal wear of parts or damage resulting from any of the following: negligent use or misuse of the product, use on improper voltage or current, use contrary to the operating instructions, disassembly, repair or alteration by anyone other than JCS or an authorized JCS service center. Further, the warranty does not cover: Acts of God, such as fire, flood, hurricanes and tornadoes.

What are the limits on JCS's Liability?

JCS shall not be liable for any incidental or consequential damages caused by the breach of any express, implied or statutory warranty or condition.

Except to the extent prohibited by applicable law, any implied warranty or condition of merchantability or fitness for a particular purpose is limited in duration to the duration of the above warranty.

JCS disclaims all other warranties, conditions or representations, express, implied, statutory or otherwise.

JCS shall not be liable for any damages of any kind resulting from the purchase, use or misuse of, or inability to use the product including incidental, special, consequential or similar damages or loss of profits, or for any breach of contract, fundamental or otherwise, or for any claim brought against purchaser by any other party.

Some provinces, states or jurisdictions do not allow the exclusion or limitation of incidental or consequential damages or limitations on how long an implied warranty lasts, so the above limitations or exclusion may not apply to you.

This warranty gives you specific legal rights, and you may also have other rights that vary from province to province, state to state or jurisdiction to jurisdiction.

How to Obtain Warranty Service

In the U.S.A.

If you have any question regarding this warranty or would like to obtain warranty service, please call 1-800-334-0759 and a convenient service center address will be provided to you.

In Canada

If you have any question regarding this warranty or would like to obtain warranty service, please call 1-800-667-8623 and a convenient service center address will be provided to you.

In the U.S.A., this warranty is offered by Sunbeam Products, Inc. doing business Jarden Consumer Solutions located in Boca Raton, Florida 33431. In Canada, this warranty is offered by Sunbeam Corporation (Canada) Limited doing business as Jarden Consumer Solutions, located at 20 B Hereford Street, Brampton, Ontario L6Y 0M1. If you have any other problem or claim in connection with this product, please write our Consumer Service Department.

PLEASE DO NOT RETURN THIS PRODUCT TO ANY OF THESE ADDRESSES OR TO THE PLACE OF PURCHASE.



MEDIDAS DE SEGURIDAD IMPORTANTES

Al usar electrodomésticos, debe tomar las siguientes precauciones básicas en todo momento:

1. Lea todas las instrucciones antes de usar.
2. No toque las superficies calientes. Use mangos o manijas.
3. Para protegerse de una descarga eléctrica, no sumerja la BASE DE CALENTAMIENTO ni el cable en agua u otros líquidos.
4. Se recomienda controlar de cerca cuando el artefacto sea utilizado cerca de los niños. Este artefacto no debe ser utilizado por los niños.
5. Desconéctelo del tomacorriente cuando no lo utilice y antes de limpiarlo. Deje que se enfríe antes de colocar o quitar las piezas y antes de limpiarlo.
6. No utilice un electrodoméstico que tenga un cable o enchufe dañado, que funcione mal, que se haya caído o que se haya dañado de otra manera.
7. El uso de accesorios que no son recomendados o vendidos por el fabricante puede causarles lesiones.
8. No lo utilice en exteriores.
9. No deje que el cable cuelgue del extremo de la mesa o la mesada ni que entre en contacto con una superficie caliente.
10. No coloque el artefacto ensamblado cerca de un quemador de gas caliente o eléctrico, ni sobre dicho quemador, ni dentro de un horno caliente.
11. Debe ser extremadamente cuidadoso cuando mueva el artefacto si éste contiene aceite u otros líquidos calientes.
12. Siempre coloque el cable al aparato primero, luego enchufe el cable a la toma de la pared. Para desconectar, coloque todo control al MIN luego remueva el cable de la toma de la pared.
13. No dé a este artefacto un uso para el que no fue hecho.
14. Verifique que ambos controles estén en la posición MIN y que la plancha se haya enfriado completamente antes de plegarla.

USARSE SOLO EN EL HOGAR GUARDE ESTAS INSTRUCCIONES

Este artefacto debe USARSE SOLO EN EL HOGAR. No contiene piezas que el usuario pueda utilizar. No intente reparar este producto. Se proporciona un cable de alimentación corto para reducir los riesgos originados por los enredos o tropezones que provocan los cables largos. PUEDE USARSE UNA EXTENSION ELECTRICA CON CUIDADO; SIN EMBARGO, LA CLASIFICACION ELECTRICA INDICADA DEBE SER POR LO MENOS IGUAL A LA DE LA PLANCHA. No se debe permitir que la extensión eléctrica sea drapeada sobre la cubierta prefabricada o sobre una mesa en la que los niños puedan tirar de ésta ni donde pueda causar tropezones.

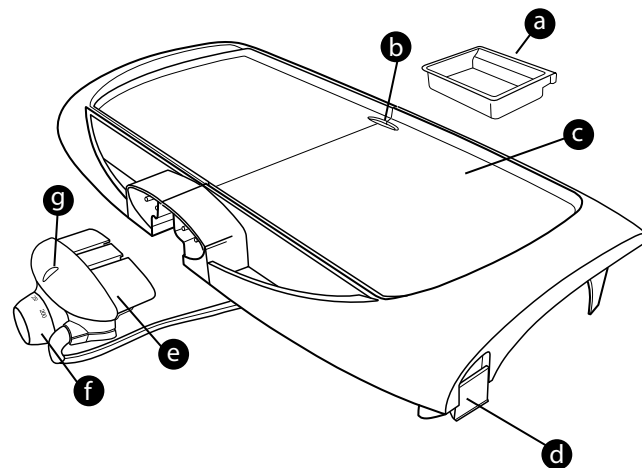
Este producto tiene un enchufe polarizado (una pata es más ancha que la otra). A fin de disminuir el riesgo de descarga eléctrica, este enchufe está diseñado para ser insertado en un tomacorriente polarizado en un solo sentido. Si el enchufe no entra completamente en el tomacorriente, invíértalo. Si aun así no entra, póngase en contacto con un electricista calificado. No modifique el enchufe de ninguna manera. Si el enchufe queda suelto en el tomacorriente CA o si siente que el tomacorriente está caliente, no use el tomacorriente.

ENERGÍA ELÉCTRICA: Si el circuito eléctrico se sobrecarga con otros artefactos, la plancha puede dejar de funcionar correctamente. La plancha debe utilizarse en un circuito separado de otros artefactos en funcionamiento.



Gracias por comprar la Plancha Eléctrica Plegable OSTER®. Antes de usar este producto por primera vez, tómese un momento para leer estas instrucciones y consérvelas para referencia. Preste particular atención a las instrucciones de seguridad que se ofrecen. Revise la declaración de servicio y garantía del producto. Para conocer más acerca de los productos de Oster®, visítenos en www.oster.com o llámenos al 1-800-334-0759.

APRENDIENDO SOBRE SU PLANCHA ELÉCTRICA PLEGABLE



- a** Bandeja para goteo
- b** Orificio para goteo
- c** Planchas de cocción
- d** Seguro de la asidera
- e** Instrumento para temperatura removible
- f** Perilla del control de temperatura
- g** Luz indicadora de la corriente





INSTRUCCIONES:

Antes de usarla por primera vez

- 1 Este artefacto está diseñado para uso en interiores únicamente. Es una Plancha independiente. No utilice carbón, líquido para encendedor o gas con este artefacto.
- 2 Lave las Bandejas de Cocción y la Bandeja Colectora de Grasa con agua caliente y jabón. Enjuáguela y séquela completamente.
- 3 Despliegue la plancha e inserte la bandeja para goteo debajo del orificio para goteo en la unidad.

ADVERTENCIA: No sumerja la Plancha en agua o ningún otro líquido.

ADVERTENCIA: No sumerja el instrumento para temperatura en agua u otro líquido.

- 4 Inserte el instrumento para temperatura en la parte frontal de la unidad.
- 5 Recubra las Bandejas de Cocción antiadherentes con aceite vegetal, quitando el exceso con una toalla de papel.

Como usar su plancha plegable

- 1 Coloque la Plancha en una superficie plana y nivelada, como una mesada o mesa.
- 2 Asegúrese de que la perilla del control de temperatura este en la posición de apagado "MIN" y que la bandeja para goteo este correctamente insertada.
- 3 Enchufe la Plancha en un tomacorriente de 120 voltios de CA.

- 4 Pre-caliente la Plancha alineando el indicador de la perilla del control de temperatura con la posición de temperatura deseada por aproximadamente 15 minutos antes de usar. La Luz indicadora de la corriente se iluminará, indicando que la plancha esta en uso. Cuando la luz indicadora de la corriente se apague, la superficie de la plancha esta pre-calentada a la temperatura deseada y está lista para su uso. **Durante la cocción, la luz indicadora de la corriente se encenderá y se apagará indicando que la temperatura de la superficie se está manteniendo.**

Nota: Vea el Tiempo de Cocción y el Cuadro de Temperaturas en la página 8 para sugerencias de tiempos de cocción.

- 5 Utilice únicamente utensilios de madera, nylon o de plástico resistentes al calor. Los utensilios de metal dañarán la superficie antiadherente de las BANDEJAS de COCCIÓN. **NOTA:** Nunca corte comida con un cuchillo en la Plancha.

- 6 Al terminar de cocinar, gire la perilla del control de temperatura a la posición de apagado (MIN) y desenchufe el cable del tomacorriente.

- 7 Deje que la plancha se enfríe antes de remover la bandeja de grasa y el instrumento de control de temperatura y antes del limpiado.

NOTA: Al cocinar tandas consecutivas de tocino u otra comida con mucha grasa, puede ser necesario vaciar la BANDEJA COLECTORA de GRASA para evitar que la grasa rebalse.

ADVERTENCIA: Algunas mesadas son muy sensibles al calor, tenga cuidado de no colocar la Plancha sobre superficies que puedan dañarse con el calor.



Tiempo de coccion y temperatura

COMIDA	TEMP.	TIEMPO	INSTRUCCIONES
HUEVOS fritos	300°F/150°C	De 3 a 5 min.	Voltéelos cuando haya transcurrido la mitad del tiempo de cocción.
PANCETA	350°F/175°C	De 8 a 14 min.	Voltear a menudo.
EMBUTIDOS	350°F/175°C	De 20 a 30 min.	Voltéelos cuando haya transcurrido la mitad del tiempo de cocción.
TOSTADA FRANCESA	350°F/175°C	De 6 a 10 min.	Voltéelas cuando haya transcurrido la mitad del tiempo de cocción.
HAMBURGUESAS	350°F/175°C	De 8 a 14 min.	Voltéelas cuando haya transcurrido lamitad del tiempo de cocción.
TAJADAS DE JAMON	350°F/175°C	De 14 a 18 min.	Voltéelas cuando haya transcurrido la mitad del tiempo de cocción.
SANDWICHES	350°F/175°C	De 6 a 10 min.	Untarles manteca por fuera y dorar de los dos lados.
CHULETAS DE CERDO	350°F/175°C	De 20 a 30 min.	Dorar los dos lados y reducir la temp. a (250 °F /121 °C). Voltear transcurrida la mitad del tiempo de cocción.
PAPAS	350°F/175°C	De 10 a 12 min.	Voltéelas cuando haya transcurrido la mitad del tiempo de cocción.
BISTECS			
Jugosos	400°F/205°C	De 4 a 6 min.	Voltéelos cuando haya transcurrido la mitad del tiempo de cocción.
Punto medio	400°F/205°C	De 7 a 12 min.	Voltéelos cuando haya transcurrido la mitad del tiempo de cocción.
Cocidos	400°F/205°C	De 13 a 18 min.	Voltéelos cuando haya transcurrido la mitad del tiempo de cocción.
PANQUEQUES	350°F/175°C	De 2 a 6 min.	Verter manteca sobre la plancha. Voltéelos cuando se produzcanburbujas en la superficie.

* Precaliente la plancha durante 15 minutos



CUIDADO Y LIMPIEZA

Este artefacto debe ser limpiado después de cada uso.

- 1 Luego de usarla, desenchufe el CABLE de ALIMENTACIÓN del toma corriente. Deje que la Plancha y las BANDEJAS de COCCIÓN se enfríen antes de limpiarlas.
- 2 Quite la BANDEJA COLECTORA de GRASA y vacíela.
- 3 Lave la plancha, las planchas de cocción y la bandeja para grasa con agua tibia jabonosa. Seque completamente.

NOTA: Todas las partes, con excepción del instrumento de control de la temperatura, pueden ser sumergidas y son lavables en el lavaplatos.

NOTA: No use almohadillas de lana de acero, limpiadores abrasivos en ninguna parte del artefacto. Si es necesario, use una almohadilla de nylon.

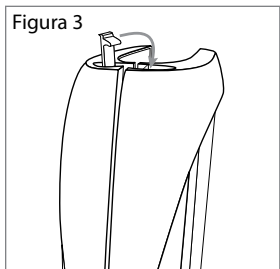
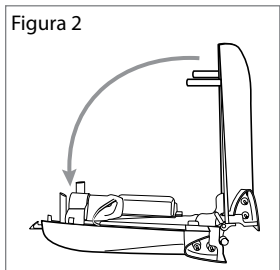
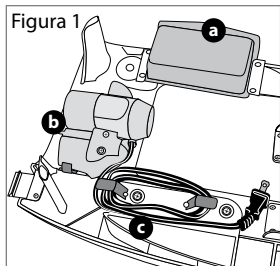




INSTRUCCIONES:

Como limpiar su plancha electrica como guardar su plancha plegable

- 1 Antes de plegar la plancha y de unir y asegurar las asideras, reemplace la bandeja para goteo (Vea la figura 1 a) El instrumento de control de temperatura también puede guardarse asegurando el instrumento entre las dos lengüetas (Vea la figura 1 b) y envolviendo el cable de la corriente alrededor de las convenientes lengüetas para almacenamiento. (Vea la figura 1 c)
- 2 Pliegue la Plancha (Vea la Figura 2) y use el seguro de las asideras para unirlas y asegurarlas. (Vea la figura 3).
- 3 Ahora puede guardar su Plancha en un lugar muy pequeño.



Garantía Limitada de 1 Año

Sunbeam Products, Inc. operando bajo el nombre de Jarden Consumer Solutions, o en Canadá, Sunbeam Corporation (Canada) Limited operando bajo el nombre de Jarden Consumer Solutions, (en forma conjunta, "JCS"), garantiza que por un período de un año a partir de la fecha de compra, este producto estará libre de defectos de materiales y mano de obra. JCS, a su elección, reparará o reemplazará este producto o cualquier componente del mismo que presente defectos durante el período de garantía. El reemplazo se realizará por un producto o componente nuevo o reparado. Si el producto ya no estuviera disponible, se lo reemplazará por un producto similar de valor igual o superior. Ésta es su garantía exclusiva. No intente reparar o ajustar ninguna función eléctrica o mecánica de este producto. Al hacerlo eliminará ésta garantía.

La garantía es válida para el comprador minorista original a partir de la fecha de compra inicial y la misma no es transferible. Conserve el recibo de compra original. Para solicitar servicio en garantía se requiere presentar un recibo de compra. Los agentes y centros de servicio de JCS o las tiendas minoristas que venden productos de JCS no tienen derecho a alterar, modificar ni cambiar de ningún otro modo los términos y las condiciones de esta garantía.

Esta garantía no cubre el desgaste normal de las piezas ni los daños que se produzcan como resultado de uso negligente o mal uso del producto, uso de voltaje incorrecto o corriente inapropiada, uso contrario a las instrucciones operativas, y desarme, reparación o alteración por parte de un tercero ajeno a JCS o a un Centro de Servicio autorizado por JCS. Asimismo, la garantía no cubre actos fortuitos tales como incendios, inundaciones, huracanes y tornados.

¿Cuál es el límite de responsabilidad de JCS?

JCS no será responsable de daños incidentales o emergentes causados por el incumplimiento de alguna garantía o condición expresa, implícita o legal.

Excepto en la medida en que lo prohíba la ley aplicable, cualquier garantía o condición implícita de comerciabilidad o aptitud para un fin determinado se limita, en cuanto a su duración, al plazo de la garantía antes mencionada.



JCS queda exenta de toda otra garantías, condiciones o manifestaciones, expresa, implícita, legal o de cualquier otra naturaleza.

JCS no será responsable de ningún tipo de daño que resulte de la compra, uso o mal uso del producto, o por la imposibilidad de usar el producto, incluidos los daños incidentales, especiales, emergentes o similares, o la pérdida de ganancias, ni de ningún incumplimiento contractual, sea de una obligación esencial o de otra naturaleza, ni de ningún reclamo iniciado contra el comprador por un tercero.

Algunas provincias, estados o jurisdicciones no permiten la exclusión o limitación de los daños incidentales o emergentes ni las limitaciones a la duración de las garantías implícitas, de modo que es posible que la exclusión o las limitaciones antes mencionadas no se apliquen en su caso.

Esta garantía le otorga derechos legales específicos y es posible que usted tenga otros derechos que varían de un estado, provincia o jurisdicción a otro.

Cómo solicitar el servicio en garantía

En los Estados Unidos

Si tiene alguna pregunta sobre esta garantía o desea recibir servicio de garantía, llame al 1.800.334.0759 y podrá obtener la dirección del centro de servicio que le resulte más conveniente.

En Canadá

Si tiene alguna pregunta sobre esta garantía o desea recibir servicio de garantía, llame al 1.800.667.8623 y podrá obtener la dirección del centro de servicio que le resulte más conveniente.

En los Estados Unidos, esta garantía es ofrecida por Sunbeam Products, Inc. operando bajo el nombre de Jarden Consumer Solutions, Boca Ratón, Florida 33431. En Canadá, esta garantía es ofrecida por Sunbeam Corporation (Canada) Limited operando bajo el nombre de Jarden Consumer Solutions, 20 B Hereford Street, Brampton, Ontario L6Y 0M1. Si usted tiene otro problema o reclamo en conexión con este producto, por favor escriba al Departamento de Servicio al Consumidor.

POR FAVOR NO DEVUELVA ESTE PRODUCTO A NINGUNA DE ESTAS DIRECCIONES NI AL LUGAR DE COMPRA.



Free Manuals Download Website

<http://myh66.com>

<http://usermanuals.us>

<http://www.somanuals.com>

<http://www.4manuals.cc>

<http://www.manual-lib.com>

<http://www.404manual.com>

<http://www.luxmanual.com>

<http://aubethermostatmanual.com>

Golf course search by state

<http://golfingnear.com>

Email search by domain

<http://emailbydomain.com>

Auto manuals search

<http://auto.somanuals.com>

TV manuals search

<http://tv.somanuals.com>