

Oster®

For product questions contact:

Sunbeam Consumer Service

USA : 1.800.334.0759

Canada : 1.800.667.8623

www.oster.com

©2010 Sunbeam Products, Inc. doing business as Jarden Consumer Solutions. All rights reserved.
Distributed by Sunbeam Products, Inc. doing business as Jarden Consumer Solutions, Boca Raton, Florida 33431.

Para preguntas sobre los productos llame:

Sunbeam Consumer Service

EE.UU.: 1.800.334.0759

Canada: 1.800.667.8623

www.oster.com

©2010 Sunbeam Products, Inc. operando bajo el nombre de Jarden Consumer Solutions. Todos los derechos reservados. Distribuido por Sunbeam Products, Inc. operando bajo el nombre de Jarden Consumer Solutions, Boca Raton, Florida 33431.

SPR-101609

P.N. 137303

Printed in China

Impreso en China

Oster®

3-CUP CHOPPER WITH
ACCESSORIES

PICADORA DE 3 TAZAS DE CAPACIDAD
CON ACCESORIOS

User Guide/ Guía del Usuario:
FPSTMC3321



Safety
Seguridad



How to use
Cómo usar



Cleaning
Cuidado y Limpieza



Recipes
Recetas



Warranty
Garantía

www.oster.com

IMPORTANT SAFEGUARDS

When using electrical appliances, basic safety precautions should always be followed, including the following:

1. **Read all instructions before using.**
2. To protect against electrical shock, DO NOT immerse base, cord or plug in water or other liquids.
3. Close supervision is necessary when any appliance is used by or near children.
4. Unplug from outlet when not in use, before putting on or taking off parts, and before cleaning.
5. Avoid contact with moving parts.
6. DO NOT operate any appliance with a damaged cord or plug or after the appliance malfunctions, or has been damaged in any manner. Return appliance to an Authorized Oster® Service Center for repair, examination or adjustment.
7. Do not operate this or any appliance with a frayed or damaged cord, or plug, or after the appliance malfunctions or is dropped or has been damaged in any manner. Take appliance to the nearest authorized service facility for examination, repair, or electrical or mechanical adjustment.
8. The use of accessory attachments not recommended by the manufacturer may cause injuries.
9. DO NOT use outdoors.
10. DO NOT let cord hang over the edge of table or counter, or touch heated surfaces.
11. The blade is sharp. Handle carefully. Store out of reach of children.
12. This appliance is intended for processing small quantities of food for immediate consumption. This appliance is not intended to prepare large quantities of food at one time.
13. To reduce the risk of injury, be certain bowl, blade and lid are securely locked in place before operating appliance.
14. To disconnect, remove plug from wall outlet.
15. DO NOT use this appliance for anything other than intended use.
16. To avoid injury, never place chopping blade on base without first putting bowl properly in place. Make sure motor and chopping blade have stopped completely before removing the lid.
17. Be certain the lid is locked securely in place before operating. DO NOT attempt to defeat the lid safety lock mechanism.

18. Keep hands and utensils away from the cutting blade while chopping food to reduce the risk of injury to persons or damage to the 3-Cup Chopper.
19. DO NOT operate the appliance when empty.
20. Check bowl for presence of foreign objects before operating.

THIS UNIT IS INTENDED FOR HOUSEHOLD USE ONLY.

SAVE THESE INSTRUCTIONS

(For 120 & 127 Volts Only)

To reduce the risk of electrical shock, this appliance has a polarized plug (one blade is wider than the other). This plug fits a polarized outlet only one way. This is a safety feature intended to help reduce the risk of electrical shock. If the plug does not fit fully into the outlet, reverse the plug. If it still does not fit, contact a qualified electrician. Do not attempt to defeat this safety feature.

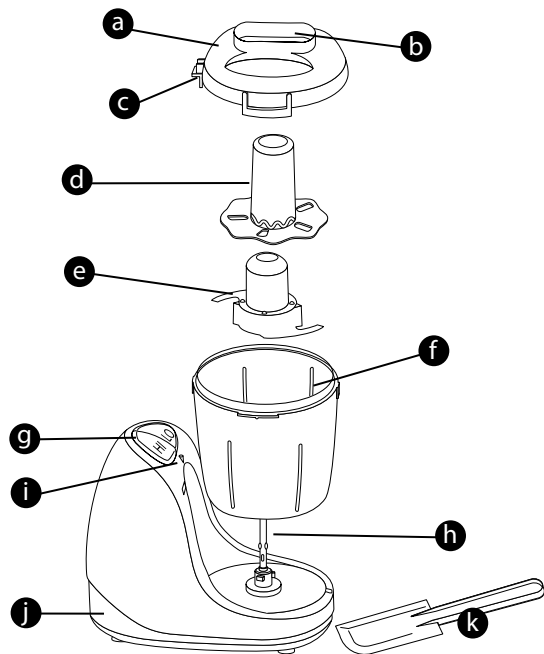
SHORT POWER SUPPLY CORD INSTRUCTIONS

A short power-supply cord is provided to reduce the risk resulting from becoming entangled in or tripping over a longer cord. An extension cord may be used if care is exercised in its use. If an extension cord is used, the electrical rating of the cord must be at least as great as the electrical rating of the appliance. The extension cord should be arranged so that it will not drape over the countertop or tabletop where it can be pulled on by children or tripped over unintentionally.

Thank you for purchasing the OSTER® 3-Cup Chopper. Before you use this product for the first time, please take a few moments to read these instructions and keep it for reference. Pay particular attention to the Safety Instructions provided. Please review the product service and warranty statements. To learn more about Oster® products, please visit us at www.oster.com or call us at 1-800-334-0759.



LEARNING ABOUT YOUR 3-CUP CHOPPER



- | | |
|---------------------------|------------------------------|
| a Lid | g Hi/Lo Pulse Buttons |
| b Drizzle Hole | h Drive Shaft |
| c Lid Locking Tabs | i Lid Locking Slot |
| d Whisk Attachment | j Cord Storage |
| e Chopping Blade | k Spatula |
| f Bowl | |

HOW TO:

Assembling the Unit

- 1 Remove all packaging materials before using.
- 2 Before using, wash lid, blade, whisk, bowl and spatula in warm soapy water; rinse and dry thoroughly, see CARE AND CLEANING.
- 3 On a flat surface place the bowl, without lid and chopping blade, on the base and turn clockwise to lock into position.

NOTE: Rotate the bowl until it snaps into place.

- 4 Slide the chopping blade or whisk attachment down over the shaft, rotating if necessary to drop into place.
- 5 Place the lid on the bowl, then turn clockwise into lid locking slot. Continue turning the lid into the lid locking slot as far as it will go so that the dot on the lid lines up with the dot on the base.

NOTE: For your protection, this unit has a safety lock lid. The unit will not operate unless the lid and base dots align. Do not attempt to operate the unit without locking the lid in place.

Chopping

- 1 Cut food into approximately 1.5 cm (1/2 inch) pieces and place up to 3 cups of dry food in the bowl at a time.
- 2 Place the lid on the bowl and turn to lock into place.
- 3 Plug the cord into an outlet. Press and hold either the HI or LO Pulse button for 5–10 seconds and then release; the motor will stop. Repeat for a finer consistency.

NOTE: Add ingredients such as oil, dressings and sauces to the bowl without removing the lid. To add ingredients, pour through the drizzle hole found on the lid.

- 4 When finished chopping, allow chopping blade to stop rotating before removing contents.
- 5 Remove the lid and grasp the stem of the chopping blade. Carefully remove it from the bowl. Remove the bowl from the base and empty the processed food.

NOTE: The mini chopper comes with a spatula to easily empty contents from the inside of the bowl.

NOTE: Do not use bowl for storing food.



FOOD	SETTING	QTY	TIME
Nuts, coarse chop	LO	1 1/3 cup	10 seconds
Fresh herbs, coarse chop	LO	1 loosely packed cup	1 minute
Nuts, fine chop	HI	1 1/3 cup	15 seconds
Hard cheeses	HI	110–170 grams (4-6 oz.)	1 minute
Garlic Cloves	HI	1 cup cloves, peeled	20 seconds
Chocolate	HI	1 cup, 1/2 inch pieces	30 seconds
Onion	HI	1 cup, coarsely chopped	20 seconds
Sun-dried tomatoes in oil	HI	1 cup	30 seconds

Whisking

1 For whisking certain food products such as whipped cream, egg whites, sauces, etc., carefully remove the chopping blade from the bowl by grasping from the stem. Insert the whisk attachment into the unit by turning clockwise until completely secured. Place food product to be whisked into the bowl.

NOTE: When whisking certain foods like egg whites, please allow room in the bowl for fluffing and aeration. Example: for egg whites the maximum number of eggs that can be whisked at a time is 4–5 depending on the size of the eggs. Please experiment for best results.

2 Place the lid on the bowl and turn to lock into place.

3 Plug the cord into an outlet. Press and hold either the HI or LO Pulse button for 5–10 seconds and then release; the motor will stop. Repeat until desired stage of consistency is achieved. Check frequently to prevent over-mixing.

NOTE: Add ingredients such as oil, dressings and sauces to the bowl without removing the lid. To add ingredients, pour through the drizzle hole found on the lid.

4 When finished whisking, allow whisk attachment to stop completely before removing contents.

5 Remove the lid and carefully remove the whisk attachment from the bowl. Remove the bowl from the base and empty the processed food.

NOTE: The mini chopper comes with a spatula to easily empty contents from the inside of the bowl.

NOTE: Do not use bowl for storing food.



CARE & CLEANING

This appliance should be cleaned after every use.

1 Unplug the 3-cup chopper when not in use and before cleaning. Never immerse the base, plug or cord in water or other liquids. Allow the chopping blade to stop rotating before disassembling.

2 Wash the bowl, lid, whisk, spatula and chopping blade in warm soapy water. Rinse and dry thoroughly.

NOTE: Lid, bowl, blade, whisk and spatula can be placed in the dishwasher.

CAUTION: Blades are sharp! Handle with care.

3 To clean the base, wipe the exterior with a damp cloth or sponge. Dry thoroughly with a soft cloth.





Chipotle Mayonnaise

This flavored mayonnaise adds zing to hamburgers, veggie burgers and grilled fish. It's also great as a dipping sauce with crab cakes or as a sandwich spread for turkey wraps.

- | | |
|-------------------------------|-------------------------|
| 1 tablespoon fresh lime juice | 1 Chipotle pepper from |
| 1 cup mayonnaise | can of Chipotle peppers |
| Salt to taste | in Adobo sauce |

Process pepper and lime juice in 3-Cup Chopper until well chopped. Add mayonnaise and process until combined. Add salt to taste and process again to mix. Keep covered in refrigerator for up to one week.

Makes about 1 cup

Grilled Herb Crusted Salmon

- | | |
|-------------------------------------|-----------------------|
| 1/3 cup fresh cilantro | 1 tablespoon |
| 1/3 cup fresh oregano | fresh lemon juice |
| 1 garlic clove, peeled | 1/4 teaspoon salt |
| 1/4 cup green onion, sliced | 1/8 teaspoon pepper |
| 2 (170-gram/6-ounce) salmon fillets | 2 teaspoons olive oil |

Combine the first 8 ingredients (excluding olive oil) in 3-Cup Chopper bowl and process until well mixed and finely chopped. Brush salmon fillets on both sides with the herb mixture. Grill salmon over medium-hot coals for 10 minutes or until fish flakes easily when tested with a fork.

Serves 2

Tapenade

Serve this pungent and salty spread on crusty baguette slices or with vegetable crudité's. Make extra to use on sandwiches.

- | | |
|-------------------------------|--------------------------------------|
| 1 cup Kalamata olives, pitted | 1 tablespoon |
| 3 garlic cloves, peeled | fresh lemon juice |
| 30 grams (1 ounce) | 1 teaspoon fresh thyme |
| anchovies | 1 teaspoon fresh rosemary |
| 2 tablespoons capers | 1 teaspoon fresh oregano |
| 1 teaspoon lemon rind, grated | 2 tablespoons extra virgin olive oil |

Place all the ingredients in the 3-Cup Chopper bowl and process until the mixture forms a coarse paste. Refrigerate for up to one week.

Avocado-Edamame Dip

Frozen shelled green soybeans, edamame, can be found in most supermarkets, usually in the natural food section.

- | | |
|--------------------------------------|--------------------------|
| 1 medium ripe avocado, peeled | 2 tablespoons |
| 1 cup cooked, shelled green soybeans | lemon juice |
| 1/4 cup sliced scallions | Hot sauce, to taste |
| 1/4 cup mayonnaise | Salt and pepper to taste |

Process the avocado and soybeans in the 3-Cup Chopper on HI for about 7 seconds or until finely chopped. Add remaining ingredients and process until smooth.

Makes about 2 cups.



1 Year Limited Warranty

Sunbeam Products, Inc. doing business as Jarden Consumer Solutions or if in Canada, Sunbeam Corporation (Canada) Limited doing business as Jarden Consumer Solutions (collectively "JCS") warrants that for a period of one year from the date of purchase, this product will be free from defects in material and workmanship. JCS, at its option, will repair or replace this product or any component of the product found to be defective during the warranty period. Replacement will be made with a new or remanufactured product or component. If the product is no longer available, replacement may be made with a similar product of equal or greater value. This is your exclusive warranty. Do NOT attempt to repair or adjust any electrical or mechanical functions on this product. Doing so will void this warranty.

This warranty is valid for the original retail purchaser from the date of initial retail purchase and is not transferable. Keep the original sales receipt. Proof of purchase is required to obtain warranty performance. JCS dealers, service centers, or retail stores selling JCS products do not have the right to alter, modify or any way change the terms and conditions of this warranty.

This warranty does not cover normal wear of parts or damage resulting from any of the following: negligent use or misuse of the product, use on improper voltage or current, use contrary to the operating instructions, disassembly, repair or alteration by anyone other than JCS or an authorized JCS service center. Further, the warranty does not cover: Acts of God, such as fire, flood, hurricanes and tornadoes.

What are the limits on JCS's Liability?

JCS shall not be liable for any incidental or consequential damages caused by the breach of any express, implied or statutory warranty or condition.

Except to the extent prohibited by applicable law, any implied warranty or condition of merchantability or fitness for a particular purpose is limited in duration to the duration of the above warranty.

JCS disclaims all other warranties, conditions or representations, express, implied, statutory or otherwise.

JCS shall not be liable for any damages of any kind resulting from the purchase, use or misuse of, or inability to use the product including incidental, special, consequential or similar damages or loss of profits, or for any breach of contract, fundamental or otherwise, or for any claim brought against purchaser by any other party.

Some provinces, states or jurisdictions do not allow the exclusion or limitation of incidental or consequential damages or limitations on how long an implied warranty lasts, so the above limitations or exclusion may not apply to you.

This warranty gives you specific legal rights, and you may also have other rights that vary from province to province, state to state or jurisdiction to jurisdiction.

How to Obtain Warranty Service

In the U.S.A.

If you have any question regarding this warranty or would like to obtain warranty service, please call 1-800-334-0759 and a convenient service center address will be provided to you.

In Canada

If you have any question regarding this warranty or would like to obtain warranty service, please call 1-800-667-8623 and a convenient service center address will be provided to you.

In the U.S.A., this warranty is offered by Sunbeam Products, Inc. doing business Jarden Consumer Solutions located in Boca Raton, Florida 33431. In Canada, this warranty is offered by Sunbeam Corporation (Canada) Limited doing business as Jarden Consumer Solutions, located at 20 B Hereford Street, Brampton, Ontario L6Y 0M1. If you have any other problem or claim in connection with this product, please write our Consumer Service Department.

PLEASE DO NOT RETURN THIS PRODUCT TO ANY OF THESE ADDRESSES OR TO THE PLACE OF PURCHASE.



PRECAUCIONES IMPORTANTES

Cuando se utiliza cualquier artefacto eléctrico siempre se deben seguir precauciones básicas de seguridad, incluyendo las siguientes:

1. **Lea todas las instrucciones antes de usar.**
2. Para protegerse contra el riesgo de una descarga eléctrica, sumerja la base, el cable o el tomacorriente en agua u otros líquidos.
3. Se requiere supervisión cercana cuando este artefacto esté siendo utilizado cerca de niños.
4. Desenchufe su Mini-Picadora cuando no la esté utilizando, antes de retirarle o colocarle piezas y antes de limpiarla.
5. Evite el contacto con piezas en movimiento.
6. Opere ningún artefacto con un cable o enchufe dañado, después de que el artefacto haya fallado o si se cae al suelo o se daña de cualquier otra manera. Regrese el artefacto al Centro de Servicio Oster® Autorizado más cercano para examinarlo, repararlo o para ajustarlo mecánicamente.
7. No opere este u otro aparato con un cordón deshilachado o enchufe dañado, o después de que el aparato sufra una falla o se deje caer o haya sido dañado de cualquier manera. Lleve su aparato al servicio autorizado más cercano para que sea examinado, reparado o se le haga un ajuste eléctrico o mecánico.
8. El uso de accesorios no recomendados o vendidos por el fabricante del artefacto puede causar daños.
9. Lo utilice al aire libre.
10. Permita que el cable cuelgue sobre el borde de una mesa o mostrador o toque superficies calientes.
11. La cuchilla es filosa. Manipúlela con cuidado. Guárdela lejos del alcance de los niños.
12. Este artefacto ha sido diseñado para procesar pequeñas cantidades de alimentos para el consumo inmediato. lo utilice para cortar grandes cantidades de alimentos a la vez.
13. Lo coloque sobre o cerca de quemadores de estufas de gas o eléctricas, tampoco dentro de un horno caliente.
14. Para reducir el riesgo de daños corporales, asegúrese de que el recipiente, la cuchilla y la tapa se encuentran firmemente cerrados antes de operar el artefacto.

15. Antes de desconectar, remueva el enchufe del tomacorriente.
16. Use este electrodoméstico para un propósito distinto de aquel para el cual fue diseñado.
17. Para evitar cualquier daño, nunca coloque la cuchilla en la base sin antes colocar el recipiente apropiadamente en su lugar. Cerciórese de que el motor y la cuchilla se han detenido por completo antes de retirar la tapa.
18. Asegúrese de que la tapa está firmemente cerrada en su lugar antes de operar el artefacto. intente frustrar el mecanismo de seguridad de la tapa.
19. Para reducir el riesgo de daños corporales o de su Mini Picadora, mantenga las manos y los utensilios lejos de la cuchilla mientras esté cortando los alimentos.
20. No opere el artefacto mientras se encuentre vacío.
21. Asegúrese de que no se encuentra ningún objeto extraño dentro del recipiente antes de colocar la Mini Picadora en funcionamiento.

**ESTA UNIDAD DEBE SER USADA PARA
USO DOMÉSTICO SOLAMENTE**

CONSERVE ESTAS INSTRUCCIONES

(Para 120 y 127 Voltios solamente)

Para reducir el riesgo de una descarga eléctrica, este artefacto cuenta con un enchufe polarizado (una clavija es más ancha que la otra). Este enchufe entra sólo de una manera en un tomacorriente polarizado. Si el enchufe no entra correctamente en el tomacorriente, simplemente colóquelo al revés. Si todavía no entra, comuníquese con un electricista competente. De ninguna manera intente modificar o forzar la conexión diseñada como medida de seguridad.

INSTRUCCIONES DE CABLE DE CORRIENTE CORTO

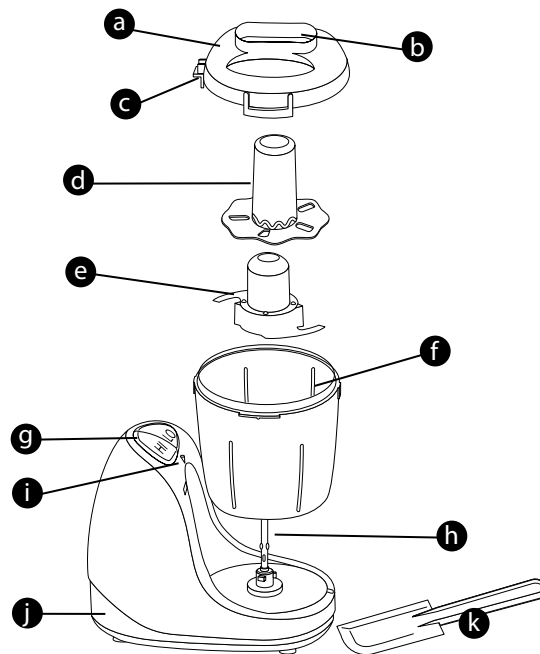
Se incluye un cable eléctrico corto para evitar que se enrede o que cause tropiezos. Un cable de extensión puede utilizarse con cuidado. Si se usa un cable de extensión, la capacidad nominal marcada en el cable de extensión debe ser por lo menos igual o mayor a la del artefacto. El cable de extensión debe colocarse de manera que no cuelgue del mostrador o de la mesa, donde pueda causar tropiezos accidentalmente.



Gracias por comprar la Picador Para 3 Tazas OSTER®.

Antes de usar este producto por primera vez, tómese un momento para leer estas instrucciones y consérvelas para referencia. Preste particular atención a las instrucciones de seguridad que se ofrecen. Revise la declaración de servicio y garantía del producto. Para conocer más acerca de los productos de Oster®, visítenos en www.oster.com o llámenos al 1-800-334-0759.

DESCRIPCION DEL ARTEFACTO



- | | |
|--|---|
| a Tapa | g Botones de impulso alto/bajo (HI/LO) |
| b Agujero para rociar | h Eje |
| c Lengüetas aseguradoras de la tapa | i Ranura Aseguradora de la tapa |
| d Accesorio Batidor | j Almacenaje del cordón |
| e Cuchilla para picar | k Espátula |
| f Recipiente | |





INSTRUCCIONES:

Como utilizar su Mini Picadora

- 1 Retire todos los materiales del empaque antes de utilizar el artefacto.
- 2 Antes de usar, lave la tapa, la cuchilla, el accesorio batidor, el recipiente y la espátula en agua tibia jabonosa; enjuague y seque completamente. Vea CUIDADO Y LIMPIEZA.
- 3 Coloque el recipiente en su base en una superficie plana, sin la tapa y sin la cuchilla, gírelo hacia la derecha para cerrarlo correctamente.

NOTA: Gire el recipiente hasta que chasquee y se encuentre bien ajustado en su lugar.

- 4 Deslice la cuchilla hacia abajo del eje, girándola si es necesario hasta posicionarla en su lugar.
- 5 Coloque la tapa en el recipiente, luego gírela hacia la derecha hasta colocarla en la ranura aseguradora de la tapa. Continúe girando la tapa en la ranura aseguradora de la tapa hasta que, tanto la ranura superior como la ranura de la base, se encuentren conjuntamente alineadas.

NOTA: Para su protección, esta unidad cuenta con una tapa con un mecanismo de cierre de seguridad. La unidad no operará a menos que la tapa y las ranuras estén ambas alineadas. No intente operar la unidad sin cerrar la tapa correctamente en su lugar.

Picando sus alimentos

- 1 Corte los alimentos en pedazos de 1,5 cm (1/2 pulgada) aproximadamente y coloque a la vez hasta 3 tazas de alimento seco en el recipiente.
- 2 Coloque la tapa en el recipiente y gírela para cerrarla en su lugar.
- 3 Enchufe el cable en un tomacorriente eléctrico. Presione y sostenga el botón de pulso en "HI" o "LO" por 5-10 segundos y libere; el motor se detendrá. Repita para una consistencia más fina.

NOTA: Añada ingredientes tales como aceite, aderezos y salsas al recipiente sin remover la tapa. Para añadir ingredientes, viértalos a través del agujero para rociar que se encuentra en la tapa.

- 4 Cuando termine de picar, permita que la cuchilla deje de girar antes de retirar el contenido del recipiente.
- 5 Retire la tapa y tome la cuchilla por la parte del cilindro. Quítela con cuidado del recipiente. Retire el recipiente de la base y vacíe el alimento procesado del recipiente.

NOTA: El mini picador viene con una espátula para vaciar el contenido dentro del recipiente con facilidad.

NOTA: No utilice el recipiente para almacenar alimentos.

ALIMENTO	AJUSTE	CANTIDAD	TIEMPO
Nueces, cortadas gruesas	BAJA "LO"	1 1/3 taza	10 segundos
Hierbas frescas, cortadas gruesas	BAJA "LO"	1 taza suavemente empacada	1 minuto
Nueces, cortadas finas	ALTA "HI"	1 1/3 taza	15 segundos
Quesos duros	ALTA "HI"	110-170 gramos (4-6 onzas)	1 minuto
Dientes de Ajo	ALTA "HI"	1 taza de dientes de ajo pelados	20 segundos
Chocolate	ALTA "HI"	1 taza, trozos de 1/2 pulgada	30 segundos
Cebolla	ALTA "HI"	1 taza, cortada gruesa	20 segundos
Tomates-deshidratados en aceite	ALTA "HI"	1 taza	30 segundos



Batiendo

- 1 Para batir ciertos alimentos como crema batida, clara de huevo, salsas, etc. remueva cuidadosamente la cuchilla para picar del recipiente sosteniéndola del tubo. Inserte el accesorio batidor en la unidad girando en dirección de las manecillas del reloj hasta que quede completamente asegurada. Coloque el alimento a ser batido en el recipiente.

NOTA: cuando bata ciertos alimentos como clara de huevo, por favor deje suficiente espacio en el recipiente para el inflado y el aireado. Por ejemplo, para clara de huevo, el máximo número de huevos que pueden ser batidos a la vez es de 4 a 5 dependiendo del tamaño de los huevos. Por favor experimente para obtener mejores resultados.

- 2 Coloque la tapa en el recipiente y gire para asegurar en su lugar.
- 3 Enchufe el cordón en un tomacorriente. Presione y sostenga ya sea el botón de impulso Alto (HI) o Bajo (LO) por unos 5 a 10 segundos y luego suéltelo; el motor parará. Repita hasta que se consiga el nivel deseado de espesor. Supervise frecuentemente para prevenir un batido en exceso.

NOTA: Añada ingredientes tales como aceite, aderezos y salsas al recipiente sin remover la tapa. Para añadir ingredientes, viértalos a través del agujero para rociar que se encuentra en la tapa.

- 4 cuando termine de batir, deje que el accesorio batidor pare completamente antes de remover el contenido.
- 5 Remueva la tapa y remueva el accesorio batidor cuidadosamente del recipiente. Remueva el recipiente de la base y vacíe la comida procesada.

NOTA: El mini picador viene con una espátula para vaciar el contenido dentro del recipiente con facilidad.

NOTA: No use el recipiente para almacenar la comida.



CUIDADO Y LIMPIEZA

Este artefacto debe ser limpiado después de cada uso.

- 1 Desenchufe su Mini-Picadora cuando no la esté utilizando y antes de limpiarla. Nunca sumerja la base, el enchufe o el cable en agua ni otros líquidos. Permita que la cuchilla pare de girar antes de desmontarla.
- 2 Lave el recipiente, la tapa, el accesorio batidor, la espátula y la cuchilla en agua tibia jabonosa. Enjuague y seque completamente.

NOTE: la tapa, el recipiente, la cuchilla, el accesorio batidor y la espátula pueden colocarse en el lavaplatos.

PRECAUCION: ¡La cuchilla es filosa! Manipúlela con cuidado.

- 3 Para limpiar la base, limpie el exterior con un paño o esponja húmedos. Seque generosamente con un paño suave.





Mayonesa de Chipotle

Esta mayonesa, deliciosamente condimentada, les da un exquisito toque a sus hamburguesas, hamburguesas vegetarianas y pescado a la parrilla. También es excelente como salsa para acompañar con galletas de cangrejo o para untar el pan de los emparedados de pavo.

- | | |
|-------------------------------------|---|
| 1 cucharada de jugo de limón fresco | 1 pimentón Chipotle de una lata de pimentones Chipotle en salsa adobada |
| 1 taza de mayonesa | |
| Sal al gusto | |

Procese el pimentón junto con el jugo de limón en su Mini-Picadora hasta que el pimentón esté bien cortado. Agregue la mayonesa y procese hasta que todo esté mezclado. Añada sal al gusto y procese de nuevo la mezcla. Manténgala cubierta en el refrigerador hasta por una semana.

Rinde hasta 1 taza.

Salmon a la Parrilla Con Capa de Hierbas

- | | |
|--|-------------------------------------|
| 1/3 de taza de cilantro fresco | 1 cucharada de jugo de limón fresco |
| 1/3 de taza de orégano fresco | |
| 1 diente de ajo, pelado | 1/4 de cucharadita de sal |
| 1/4 de taza de cebollín, rebanado | 1/8 de cucharadita de pimienta |
| 2 (170 gramos/6-onzas) filetes de salmón | 2 cucharadas de aceite de oliva |

Combine los primeros 8 ingredientes (excluyendo el aceite de oliva) en su Mini-Picadora y procese hasta que estén bien mezclados y finamente cortados. Cubra los filetes de salmón por ambos lados con la mezcla de las hierbas. Ase a la parrilla el salmón sobre carbones medio-calientes durante 10 minutos o hasta que la carne del pescado se abra fácilmente con un tenedor. 2 Porciones.

Tapenade

Sirva esta salsa picante y condimentada para untar en rebanadas de pan crujiente o con verduras crudas. Haga un poco más para utilizarla en sándwiches.

- | | |
|--|--|
| 1 taza de aceitunas Kalamata sin semilla | 1 cucharada de jugo de limón fresco |
| 3 dientes de ajo, pelados | 1 cucharadita de tomillo fresco |
| 30 gramos (1 onza) de anchoas | 1 cucharadita de romero fresco |
| 2 cucharadas de alcaparras | 1 cucharadita de orégano fresco |
| 1 cucharadita de corteza de limón, rallada | 2 cucharadas de aceite de oliva extra virgen |

Coloque todos los ingredientes en el recipiente de su Mini-Picadora y procese la mezcla hasta que se forme una pasta gruesa. Refrigérela por un máximo de una semana.

Salsa de Aguacate-Edamame

Las semillas de soja verdes, congeladas y sin cáscara (edamame), se pueden encontrar en la mayoría de los supermercados, por lo general en la sección de alimentos naturales.

- | | |
|---|-------------------------------|
| 1 aguacate maduro mediano, pelado | 2 cucharadas de jugo de limón |
| 1 taza de semillas de soja verdes cocinadas y peladas | Salsa picante al gusto |
| 1/4 de taza de cebollín cortado | Sal y pimienta al gusto |
| 1/4 de taza de mayonesa | |

Procese el aguacate y las semillas de soja en su Mini-Picadora a velocidad alta "HI" por 7 segundos aproximadamente o hasta que estén finamente picados. Añada el resto de los ingredientes y procéselos hasta que se suavicen.

Rinde aproximadamente 2 tazas.





Garantía Limitada de 1 Año

Sunbeam Products, Inc. operando bajo el nombre de Jarden Consumer Solutions, o en Canadá, Sunbeam Corporation (Canada) Limited operando bajo el nombre de Jarden Consumer Solutions, (en forma conjunta, "JCS"), garantiza que por un período de un año a partir de la fecha de compra, este producto estará libre de defectos de materiales y mano de obra. JCS, a su elección, reparará o reemplazará este producto o cualquier componente del mismo que presente defectos durante el período de garantía. El reemplazo se realizará por un producto o componente nuevo o reparado. Si el producto ya no estuviera disponible, se lo reemplazará por un producto similar de valor igual o superior. Ésta es su garantía exclusiva. No intente reparar o ajustar ninguna función eléctrica o mecánica de este producto. Al hacerlo eliminará ésta garantía.

La garantía es válida para el comprador minorista original a partir de la fecha de compra inicial y la misma no es transferible. Conserve el recibo de compra original. Para solicitar servicio en garantía se requiere presentar un recibo de compra. Los agentes y centros de servicio de JCS o las tiendas minoristas que venden productos de JCS no tienen derecho a alterar, modificar ni cambiar de ningún otro modo los términos y las condiciones de esta garantía.

Esta garantía no cubre el desgaste normal de las piezas ni los daños que se produzcan como resultado de uso negligente o mal uso del producto, uso de voltaje incorrecto o corriente inapropiada, uso contrario a las instrucciones operativas, y desarme, reparación o alteración por parte de un tercero ajeno a JCS o a un Centro de Servicio autorizado por JCS. Asimismo, la garantía no cubre actos fortuitos tales como incendios, inundaciones, huracanes y tornados.

¿Cuál es el límite de responsabilidad de JCS?

JCS no será responsable de daños incidentales o emergentes causados por el incumplimiento de alguna garantía o condición expresa, implícita o legal.

Excepto en la medida en que lo prohíba la ley aplicable, cualquier garantía o condición implícita de comerciabilidad o aptitud para un fin determinado se limita, en cuanto a su duración, al plazo de la garantía antes mencionada.

JCS queda exenta de toda otra garantías, condiciones o manifestaciones, expresa, implícita, legal o de cualquier otra naturaleza.

JCS no será responsable de ningún tipo de daño que resulte de la compra, uso o mal uso del producto, o por la imposibilidad de usar el producto, incluidos los daños incidentales, especiales, emergentes o similares, o la pérdida de ganancias, ni de ningún incumplimiento contractual, sea de una obligación esencial o de otra naturaleza, ni de ningún reclamo iniciado contra el comprador por un tercero.

Algunas provincias, estados o jurisdicciones no permiten la exclusión o limitación de los daños incidentales o emergentes ni las limitaciones a la duración de las garantías implícitas, de modo que es posible que la exclusión o las limitaciones antes mencionadas no se apliquen en su caso.

Esta garantía le otorga derechos legales específicos y es posible que usted tenga otros derechos que varían de un estado, provincia o jurisdicción a otro.

Cómo solicitar el servicio en garantía

En los Estados Unidos

Si tiene alguna pregunta sobre esta garantía o desea recibir servicio de garantía, llame al 1.800.334.0759 y podrá obtener la dirección del centro de servicio que le resulte más conveniente.

En Canadá

Si tiene alguna pregunta sobre esta garantía o desea recibir servicio de garantía, llame al 1.800.667.8623 y podrá obtener la dirección del centro de servicio que le resulte más conveniente.

En los Estados Unidos, esta garantía es ofrecida por Sunbeam Products, Inc. operando bajo el nombre de Jarden Consumer Solutions, Boca Ratón, Florida 33431. En Canadá, esta garantía es ofrecida por Sunbeam Corporation (Canada) Limited operando bajo el nombre de Jarden Consumer Solutions, 20 B Hereford Street, Brampton, Ontario L6Y 0M1. Si usted tiene otro problema o reclamo en conexión con este producto, por favor escriba al Departamento de Servicio al Consumidor.

POR FAVOR NO DEVUELVA ESTE PRODUCTO A NINGUNA DE ESTAS DIRECCIONES NI AL LUGAR DE COMPRA.



Free Manuals Download Website

<http://myh66.com>

<http://usermanuals.us>

<http://www.somanuals.com>

<http://www.4manuals.cc>

<http://www.manual-lib.com>

<http://www.404manual.com>

<http://www.luxmanual.com>

<http://aubethermostatmanual.com>

Golf course search by state

<http://golfingnear.com>

Email search by domain

<http://emailbydomain.com>

Auto manuals search

<http://auto.somanuals.com>

TV manuals search

<http://tv.somanuals.com>