

Oster®

Oster®

SMOKER/ROASTER
ASADOR/AHUMADOR
User Guide/Guía del Usuario

For product questions contact:

Sunbeam Consumer Service
USA : 1.800.334.0759
Canada : 1.800.667.8623
www.oster.com

© 2012 Sunbeam Products, Inc. doing business as Jarden Consumer Solutions. All Rights Reserved. Distributed by Sunbeam Products, Inc. doing business as Jarden Consumer Solutions, Boca Raton, Florida 33431.

Para preguntas sobre los productos llame:

Sunbeam Consumer Service
EE.UU.: 1.800.334.0759
www.oster.com

© 2012 Sunbeam Products, Inc. operando bajo el nombre de Jarden Consumer Solutions. Todos los derechos reservados. Distribuido por Sunbeam Products, Inc. operando bajo el nombre de Jarden Consumer Solutions, Boca Raton, Florida 33431.



Safety
Seguridad



How to use
Cómo usar



Cleaning
Cuidado y Limpieza



Recipes
Recetas



Warranty
Garantía

GCDS-OST25724-PH
Printed in China

CKSTROSMK18_12ESM1

P.N.157213
Impreso en China

www.oster.com

IMPORTANT SAFEGUARDS

When using electrical appliances, basic safety precautions should always be followed, including the following:

1. **Read all instructions before using.**
2. Do not touch hot surfaces. Use handles or knobs.
3. To protect against electrical shock do not immerse roaster base, cord, or plug in water or other liquid.
4. Close supervision is necessary when any appliance is used by or near children.
5. Unplug from outlet when not in use and before cleaning. Allow to cool before putting on or taking off parts and before cleaning.
6. Do not operate roaster oven with a damaged cord or plug or after the appliance malfunctions, or has been damaged in any manner. Contact Oster's Consumer Service Department (see warranty) to return for examination, repair or adjustment.
7. Do not let cord hang over edge of table or counter, or touch hot surfaces, including the stove.
8. Do not place on or near a hot gas or electric burner or in a heated oven.
9. Extreme caution must be used when moving an appliance containing hot oil or other hot liquids.
10. **CAUTION:** Steam escaping from under cover or food warming pans is hot and can cause burns.
11. Do not use appliance for other than its intended use.
12. Use oven mitts to remove the REMOVABLE ROASTING PAN from the roaster oven; or to remove a baking pan or cooked food from the REMOVABLE ROASTING PAN.
13. To disconnect, turn TEMPERATURE CONTROL to MIN, then remove plug from wall outlet.
14. Some countertop surfaces such as Corian® and other surfaces are not designed to withstand the prolonged heat generated by certain appliances. We recommend placing a hot plate or trivet under your Oster® product to prevent possible damage to the surface.
15. Use only outdoors, do not expose to rain.
16. Use only on properly grounded outlets.

17. Store products indoors when not in use - out of the reach of children.
18. Do not clean this product with a water spray or the like.
19. Use caution when opening lid. We suggest using an oven mitt as the lid handle may get hot and steam escaping from under the lid can cause injury.
20. Do not preheat the Smoker/Roaster.

THIS UNIT IS INTENDED FOR OUTDOOR HOUSEHOLD USE ONLY

These appliances are for OUTDOOR HOUSEHOLD USE ONLY. No user-serviceable parts inside. Do not attempt to service these products. Do not immerse base in water or other liquid.

DO NOT ATTEMPT TO DEFEAT THIS SAFETY FEATURE.

EXTENSION CORD USE

This appliance must be grounded while in use to protect the operator from electrical shock. The appliance is equipped with a 3-conductor cord and a 3-prong grounding-type plug to fit the proper grounding-type receptacle. The appliance has a plug that looks like sketch (A). If you do not have a grounded outlet as shown, call a qualified electrician. Do not attempt to modify the plug in any way.

Use only 3-wire extension cords, which have 3-prong grounding-type plugs and 3-pole cord connectors that accept the plug from the appliance. Outdoor extension cords should be used with outdoor use products and are surface marked with suffix letters "W-A" and with a tag stating "Suitable for Use with Outdoor Appliances".



2

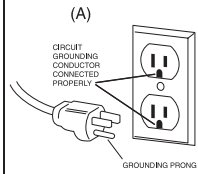
www.oster.com



3

www.oster.com

3-PRONG GROUNDING-TYPE PLUGS



AN EXTENSION CORD MAY BE USED WITH CARE; HOWEVER, THE MARKED ELECTRICAL RATING SHOULD BE AT LEAST AS GREAT AS THE ELECTRICAL RATING OF THE APPLIANCE. The cord should be arranged so that it will not drape over the countertop or tabletop where it can be pulled on by children or tripped over unintentionally.

Examine the extension cord before using and replace if damaged. Do not abuse the extension cord and do not yank on any cord to disconnect. Keep cord away from heat and sharp edges.

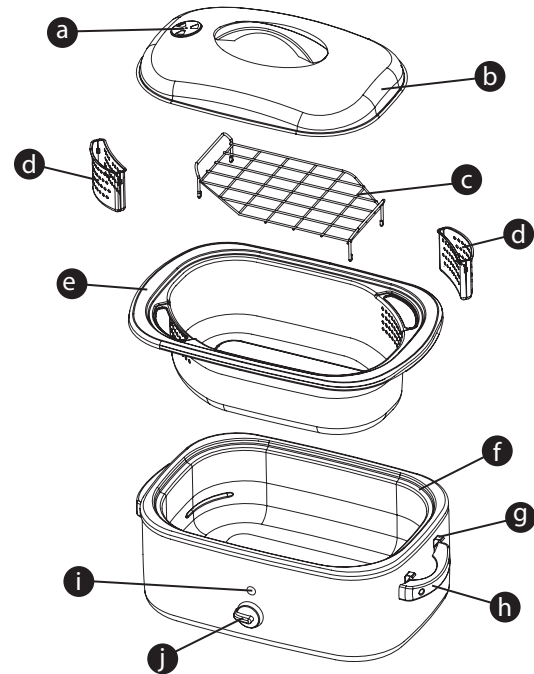
CAUTION: To reduce the risk of electric shock, the connection to an extension cord should be kept dry and off the ground.

Some surfaces are not designed to withstand the prolonged heat generated by certain appliances. We recommend placing a hot plate or trivet under your Oster® product to prevent possible damage to the surface.

SAVE THESE INSTRUCTIONS

Thank you for purchasing the Oster® Smoker/Roaster. Before you use this product for the first time, please take a few moments to read these instructions and keep it for reference. Pay particular attention to the Safety Instructions provided. Please review the product service and warranty statements. To learn more about Oster® products, please visit us at www.oster.com or call us at 1-800-334-0759.

LEARNING ABOUT YOUR SMOKER/ROASTER



- a Steam/Smoke vent
- b Lid
- c Removable roasting rack
- d Removable Wood chip bins
- e Removable roasting pan
- f Smoker/Roaster body
- g Lid rest
- h Side Handles
- i Indicator light
- j Temperature control





PREPARING YOUR SMOKER/ ROASTER FOR USE

- 1 Carefully unpack your Smoker Roaster and remove all packaging materials. Be sure to remove parts from all sides of packing.
- 2 Wash all parts according to the "Cleaning" section of this manual.
- 3 Read this manual and all other included documentation before you use your Smoker Roaster.

NOTE: Due to the manufacturing process, some smoke and odor may be noticed during the first use. This should disappear after the first heating of the Smoker Roaster.

Where to Use

Place your Smoker Roaster outside on a hard, level surface away from roof overhang or any flammable materials. You may want to locate the Smoker Roaster away from any open windows or doors to prevent smoke from entering your house. In windy weather, the Smoker Roaster should be located in an area protected from the wind.

IMPORTANT POINTS

- Always use the REMOVABLE ROASTING PAN in the roaster oven when cooking.

NOTE: Never place food or liquid directly into the ROASTER OVEN BODY.

- Avoid the steam vents when removing or lifting the LID.
- Significant amounts of heat escape whenever the LID is removed; therefore the cooking time must be extended. Avoid frequent removal of the LID for checking cooking progress or stirring.

- To use the LID REST feature, hold the LID upright by the HANDLE and place the edge of the LID under the metal tabs just above either side HANDLE.
- Convenience foods can be baked in the roaster oven. Place container on ROASTING RACK. Follow package directions.
- Meats roasted in your Roaster Oven will be moist and tender. For additional browning, brush oil or butter over the meat before cooking.
- To create a darker roasted, crispier skin poultry, do not add liquids (with the exception of the basting butter or oil) until there are only 30 minutes left of cooking.





HOW TO USE:

NOTE: Before operating, make sure unit is not plugged in and is cool before starting.

1. Remove the lid and place about $\frac{1}{3}$ cup of dry wood chips into each of the wood chip bins. NEVER PLACE WOOD CHIPS DIRECTLY INTO THE HOUSING. Do not use Wood Chunks. This will damage the unit.
2. Add water or broth to the bottom of the pan if extra moisture is desired.
3. Place the rack into the roasting pan, place the food on the rack, and cover with the lid.
4. Plug the cord into a properly grounded 120-volt AC outlet. Be sure the outlet holds the plug firmly and is not corroded.

WARNING: To ensure continued protection against shock hazard, connect to a properly grounded outlet. DO NOT operate the Smoker Roaster in the rain or on a damp surface. DO NOT USE AN ORDINARY HOUSEHOLD EXTENSION CORD WITH THIS SMOKER ROASTER. Use only a heavy-duty 14 gauge 3-wire grounded cord not more than 12 ft. long.

5. Power indicator light should illuminate, turn the temperature dial to desired temperature.
6. Allow the food to cook. Refer to the smoking chart on page 13 for approximate cooking times. (The chart is based on outdoor temperatures above 60 °F. In colder weather, cooking times will increase. Cooking times should also be increased for altitudes above 3500 ft.)

NOTE: It is normal to see and smell smoke escaping from the Smoker Roaster. The smoke will be visible approximately 30 minutes into the cooking cycle and may decrease after the first hour of cooking. Do not add more chips.

7. When the recommended cooking time is complete, remove the lid and check for doneness.

8. Wood chip bins are removable for easy cleaning. Please do not remove while HOT. Allow unit to cool before removing.

WARNING: The Smoker Roaster is hot. Always use hot pads or oven mitts and remove the lid carefully to allow steam and smoke to escape away from you.

NOTE: For greater accuracy, use a meat thermometer to check for doneness. Place the probe of thermometer in thickest area of meat.

If the meat is not done, replace the lid and continue checking for doneness at 30-minute intervals. When meat is done, turn the temperature dial to MIN, and unplug the Smoker Roaster. Remove the meat from rack.

ROASTING

1. Add water into the Pan in order to keep the food moist while cooking.
2. Place the rack into the roasting pan. Place the food on the rack and cover with the lid.
3. Plug the cord into a properly grounded 120-volt AC outlet. Be sure the outlet holds the plug firmly and is not corroded.

WARNING: To ensure continued protection against shock hazard, connect to a properly grounded outlet. DO NOT operate the Smoker Roaster in the rain or on a damp surface. DO NOT USE AN ORDINARY HOUSEHOLD EXTENSION CORD WITH THIS SMOKER ROASTER. Use only a heavy-duty 14 gauge 3-wire grounded cord not more than 12 ft. long.

4. Turn the temperature dial to the temperature suggested in the recipe. The indicator light illuminates. The temperature range for roasting is 300 °F to 350 °F.
5. Allow the food to cook. Refer to the roasting chart on page 17 for approximate cooking times. (The chart is based on outdoor temperatures above 60 °F. In colder weather, cooking times will increase. Cooking times should also be increased for altitudes above 3500 ft.)
6. When the recommended cooking time is complete, remove the lid and check for doneness.



WARNING: The Smoker Roaster is HOT. Always use hot pads or oven mitts and remove the lid carefully to allow steam and smoke to escape away from you.

NOTE: For greater accuracy, use a meat thermometer to check for doneness. Place the probe of the thermometer in thickest area of meat.

If the meat is not done, replace the lid and continue checking for doneness at 30-minute intervals. When meat is done, turn the temperature dial to MIN and unplug the Smoker Roaster. Remove the meat from rack.

Important Points

- Do not preheat the Roaster.
- Always use the roasting pan in the Smoker Roaster when cooking.
NOTE: Never place food or liquid directly into the housing.
- Use caution when removing or lifting the lid as steam is vented. Use the steam/smoke vent to release steam prior to lifting lid.
- Do not use solid fuels, such as charcoal briquettes. Do not use charcoal lighter fluid.
- Avoid removing the lid frequently to minimize steam and heat loss during cooking. If the lid is removed, allow additional cooking time.
- Do not use wood chunks. Use chips only.
NOTE: Dry wood chips is best used to produce more smoke.
- Meats should be completely thawed before cooking.
- Do not use the Smoker Roaster for food preservation. This unit is for smoke cooking and roasting only. Leftovers must be properly refrigerated.
- Cooking times are estimates and will vary with amount of food, outside weather conditions, and altitude.
- A small amount of water may be noticed dripping from the unit. This is normal due to moisture collecting around the lid.
- Do not line the rack, drip pan, roasting pan, or housing with aluminum foil.

SMOKING

Smoking gives food a unique flavor and delicate texture. The key is the combination of wood chips, low temperatures, steam, and long cooking times. As the Smoker Roaster heats, the wood chips start to smolder to produce smoke and the water in the water pan starts to steam. The smoke penetrates the food, giving it that delicious flavor and the steam keeps the food from drying out. Because the cook times are so long and the temperature is so low, it is almost impossible to overcook or dry out foods.

A Few Words about Brines, Marinades, Rubs, and Sauces

Before you smoke your foods, you will want to consider using brines, marinades, rubs, and sauces.

- **Brines:** A mixture of water (or other liquids), salt, and sugar that keeps meat moist during the long cooking process. Meat is soaked in brine overnight prior to cooking.
- **Marinades:** A mixture of dry and liquid ingredients that adds flavor and tenderness. Meat is soaked in the marinade prior to cooking.
- **Rubs:** A mix of herbs and spices rubbed into meat. Prior to cooking, allow rubbed meat to stand in the refrigerator for the specified time to absorb flavors.
- **Sauces:** A mixture of ingredients, often tomato-based, that may be brushed on meat in the last 15 to 30 minutes of cooking or served with the meat.

Use of Flavor & Woods

- Wood chips give smoked foods their distinct flavor and are a prime ingredient in water smoking. Smoke flavor will vary slightly with the type of wood used. Common woods used in smoking are hickory, mesquite, cherry, apple, maple, and alder.
- Never use resinous woods such as pine or cedar as they will produce an unpleasant flavor.
- Wood chips 1 to 2½ inches long and ¼ to ½ inch thick work best. Do not use wood chunks. Very small wood chips or shavings will burn too quickly and may not produce the desired smoke flavor.
- One cup of chips is good for 1 hour of smoking. Use two cups for longer smoke times.
- Do not add wood chips to the Smoker Roaster while in use.
- Wood Chips are not included with this unit.

Suggested Wood Chips for Smoking

- **Alder:** Salmon, swordfish, and other fish; poultry and pork.
- **Apple:** Poultry, pork, and salmon.
- **Cherry:** Veal, pork, and poultry.
- **Hickory:** All meats, poultry, and fish.
- **Maple:** Salmon, chicken, and pork.
- **Mesquite:** Beef and pork.
- **Oak:** All meats.

Tips for Smoking Fish

Dressed fish fillets and steaks may be smoked. When smoking dressed fish, place the belly (cut) side down on the rack. Spread the fish open to allow for maximum smoke penetration. Fish, especially lean fish, may be brushed with melted butter or oil before cooking to prevent the fish drying out. Fish is done when a meat thermometer reads 140 °F or when the flesh flakes easily.

SMOKING CHART

Food	Quantity	Cups of Water	Approx. Cook Time in Hours.
BEEF			
Brisket	2½ - 3½ lbs.	¾	4 - 6
Short Ribs	2 - 2½ lbs.	½	2 - 2½
Roast (Boneless)	2½ - 4 lbs.	¾	2 - 3
Roast (Bone in)	3 - 5 lbs.	¾	2½ - 4
PORK			
Chops	41" - thick	½	1 - 1½
Country Style Ribs	2 - 5 lbs.	¾	3 - 5
Spare Ribs	3 - 5 lbs.	¾	3 - 5
Roast (Boneless)	2 - 3½ lbs.	¾	1 - 3½
POULTRY			
Turkey (1 Whole)	16 - 18 lbs.	2	7 - 8
Chicken (1 Whole)	3 - 3½ lbs.	½	2 - 2½
Turkey Breast (Boneless)	3½ - 4½ lbs.	1	2½ - 3
Turkey Drumsticks	3 - 3½ lbs.	½	2 - 2½
FISH			
Fillets	1½ - 2 lbs.	¼	1 - 1½
Steaks	41" - thick	¼	1 - 1¼
Whole Fish	9 - 10" long (3 - 3½ lbs.)	½	1 - 1½

*All cooking times are based on using one cup of hickory chips. Cooking times are estimates and will vary with the amount of food, outside weather conditions and altitude. Always use a meat thermometer to verify that the meat has reached a safe internal temperature.





COOKING GUIDE

Determining Meat Doneness

It is recommended that you use a meat thermometer to determine doneness when cooking meat and poultry. Insert the thermometer into the center of the thickest portion of the meat. Cook until temperature for desired doneness is reached.

MEAT	RARE	MEDIUM	WELL DONE
BEEF	140° F	160° F	170° F
PORK	*	160° F	170° F
LAMB	140° F	160° F	170° F
SMOKED HAM Cook before eating Fully Cooked	*		160° F 140° F
POULTRY Roasting Chicken Turkey	*		180° F 180° F

* Rare pork, ham or poultry is not recommended.

OUTDOOR ROASTING

Introduction to Outdoor Roasting

Roasting foods give them a crisp and crunchy outside layer, while keeping the inside moist. Start with a higher temperature to crisp and brown the exterior and then lower the temperature to finish cooking. Generally, tender cuts of meat or poultry are best for roasting.

To add flavor and keep foods moist, add water, broth, or wine to the Pan. Baste every half hour to keep foods from drying out.

HINTS AND TIPS

- Before cooking, brush poultry and other naturally lean meats with oil, butter, or margarine.
- When you are smoking more than one piece of meat, the cooking time is determined by the largest single piece of meat.
- To add flavor, use wine or other liquids in combination with the water in the roasting pan. (For example, if chart says to use $\frac{3}{4}$ cup water, use $\frac{1}{2}$ cup water and $\frac{1}{4}$ cup wine.)
- To smoke ribs, lay them on rack. Ribs may be leaned against each other to fit, but do not lay them directly on top of each other, as this will decrease the amount of smoke flavor achieved.
- Convenience foods can be baked in the Smoker Roaster. Place container on ROASTING RACK. Follow package directions.
- Meats roasted in your Smoker Roaster will be moist and tender. For additional browning, brush oil or butter over the meat before cooking. In addition, cooking the meat in a traditional oven at 450 °F or on Broil for the last 20-30 minutes will result in better browning.
- To create darker roasted, crispier skin poultry, do not add liquids (with the exception of the basting butter or oil) until there only 30 minutes left of cooking. Cooking at a higher temperature will result in a faster cooking time, i.e. 350 °F instead of 325 °F.





CLEANING

1. Turn off by unplugging, and allow your Smoker Roaster to cool.
2. Wash the lid, two-tier rack, drip pan, and roasting pan in hot, soapy water with a sponge or soft cloth. Rinse thoroughly and wipe dry. If food sticks onto the surface of any of these parts, soak in warm, soapy water before cleaning.
3. Wipe the outside of the housing with a soft cloth and warm, soapy water and wipe dry. Do not immerse the housing in water or any other liquid. Never add liquids directly into the housing.
4. Make sure that all parts are dry before storing.
5. Store your Smoker Roaster indoors.
6. Do not clean this product with a spray of water.

Roasting Meats And Poultry

Meats will cook more rapidly in the Roaster Oven than a conventional oven. Reducing temperature and increasing time will result in a browner, crispier crust. Times indicated below are approximate and should be used as a guideline only.

MEAT	WEIGHT (LBS.)	TEMP.	MIN./LB.
BEEF ROASTS			
Standing Rib	4 – 6	325° F	17 to 21
Sirloin Tip	3 – 5	350° F	17 to 21
Tenderloin	3½ – 4	450° F	7 to 10
Pot Roast	4 – 6	300° F	26 to 34
Corned Beef	3½ – 4	300° F	15 to 17
LAMB			
Leg	5 – 8	350° F	20 to 22
Shoulder, boneless	3 – 4	350° F	20 to 22
PORK			
Loin Roast	3 – 5	350° F	21 to 26
Rolled Shoulder	4 – 6	350° F	30 to 34
Chops	4 – 5	325° F	15 to 17
Country-Style Ribs	8 – 10	450° F to brown and then decrease temp. to 250° F	15 to 17
SMOKED HAM			
Bone-in, shank	10 – 15	325° F	17 to 21
Boneless	8 – 12	325° F	15 to 17
Fully cooked	5 – 10	325° F	13 to 24
VEAL			
Loin	4 – 6	325° F	26 to 30
Shoulder	3 – 5	325° F	26 to 30
POULTRY			
Chicken, whole	3½ – 5	350° F	13 to 15
Chicken, whole	6 – 8	350° F	15 to 17
Chicken, pieces	6 – 8	350° F	7 to 9
Turkey, prebasted	10 – 14	375° F	12 to 15
Turkey, prebasted	14 – 22	375° F	13 to 15
Turkey, fresh	10 – 14	350° F	15 to 17



Baking*

- Baking pans should always be placed on the ROASTING RACK. Do not place pans on bottom of REMOVABLE ROASTING PAN.
- Metal pans are recommended for use in the roaster as they provide better heat transfer and browning.

FOOD	TEMP. SETTING	BAKING TIME (MIN)
MUFFINS	425° F	15 to 20
QUICK BREAD	375° F	65 to 75
YEAST BREAD	400° F	40 to 45
YEAST ROLLS	400° F	18 to 20
COOKIES	350° F	11 to 13
BROWNIES	350° F	25 to 30
CUPCAKES	350° F	25 to 30
SHEET CAKE	350° F	40 to 45
POUND CAKE	350° F	50 to 60
BUNDT CAKE	350° F	50 to 60
CHEESECAKE	325° F	50 to 60
FRUIT PIE	425° F	45 to 50
CUSTARD PIE	350° F	50 to 60
PASTRY SHELL	425° F	10 to 13
PIZZA (9-INCH)	425° F	20 to 25
BAKED POTATOES	350° to 400° F	50 to 60
SWEET POTATOES	350° to 400° F	55 to 65
SCALLOPED POTATOES	350° F	75 to 90
WINTER SQUASH	400° F	45 to 60
BAKED APPLES	350° F	35 to 45

* Always preheat roaster prior to baking



RECIPES

OPEN-FACED ROAST BEEF SANDWICHES WITH MUSHROOMS AND ONIONS

RUB:

- 2 teaspoons Mexican chili powder
- 1/8 teaspoon Cayenne pepper
- 1/2 teaspoon kosher salt
- 1/2 teaspoon freshly ground black pepper
- 1/2 teaspoon ground cumin
- 1/2 stick butter
- 2 large onions, peeled and sliced
- 2 tablespoons extra virgin olive oil
- 16 ounces mushrooms, cleaned and sliced
- Extra Kosher salt and freshly ground pepper
- One 3-4 pound boneless beef sirloin roast trimmed of fat
- 2-3 large French baguettes sliced lengthwise and lightly toasted

1. In a small bowl, combine chili powder, Cayenne pepper, salt, black pepper, and cumin. Sprinkle the rub over the meat.
2. Place 1/3 cup of dry wood chips in each of the wood chip bins in roasting pan. Place beef roast on bottom rack.
3. Turn temperature dial to 225 °F. Cover and smoke for 1 1/2 to 2 hours or until desired doneness (meat thermometer registers 140 °F for medium-rate doneness or 155 °F for medium doneness).
4. Cover the beef roast with foil. Let stand 15 minutes before carving. Thinly slice the beef.



- Melt butter in a large skillet set to medium heat. Add onions. Stir frequently and cook until soft and beginning to caramelize. Add olive oil and mushrooms and continue cooking on medium low until mushrooms are soft.
- To assemble sandwich, cut bread halves into thirds. Place beef with onions and mushrooms on top of bread. Season with salt and pepper.

Makes 6-8 sandwiches.

SWEET AND SMOKY BABY BACK RIBS

Two racks baby back pork ribs, 1½ to 2½ lbs. each

SAUCE:

- ½ teaspoon onion powder
- 2 cups ketchup
- 2 tablespoons Worcestershire sauce
- ¼ cup molasses
- ¼ cup brown sugar
- ½ teaspoon hot pepper sauce

-
- Rinse and pat dry ribs. In a bowl, combine the sauce ingredients and blend well. Reserve ½ for serving.
 - Liberally coat each side of ribs with sauce.
 - Place ½ cup of dry wood chips in each of the wood chip bins in roasting pan.
 - Place ribs on the bottom and top racks.
 - Turn the temperature dial to 225 °F.
 - Smoke ribs for 3 hours. Turn over and smoke for an additional 1 hour. Baste both sides of each rib with ½ cup of the barbeque sauce. Cook until ribs bend easily and begin to break away from the bone. Remove from Smoker Roaster and baste before serving.

Makes 8 servings.

ROSEMARY AND GARLIC SMOKED PORK ROAST

- 4 sprigs rosemary
- 2-3 pound boneless pork top loin roast
- 2 tablespoons snipped fresh rosemary
- 1 tablespoon olive oil
- 4 cloves garlic, minced
- ½ teaspoon pepper
- ¼ teaspoon salt
- ½ lemon or lime

-
- Place ⅓ cup of dry wood chips in each of the wood chip bins in roasting pan. Sprinkle 4 rosemary springs over wood chips.
 - Trim fat from meat. Prepare rub ingredients. Sprinkle rub evenly over meat.
 - Place meat on rack in Smoker Roaster. Cover and turn temperature dial to 225 °F.
 - Cook for 1 to 3 hours, until meat registers 155 °F internal temperature.
 - Remove meat from Smoker Roaster and squeeze lime juice over meat. Let meat stand to allow juices to settle for 10 minutes.

Makes 8-10 servings.

BRINED TURKEY STUFFED WITH ORANGES AND THYME

BRINE:

- 1 cup salt
- 1 cup brown sugar
- 2 gallons water or vegetable stock
- 2 cups cider vinegar



3 tablespoons pickling spice
1 onion, chopped
1 carrot, chopped
1 tablespoon whole black peppercorns
4 bay leaves
16-pound turkey
2 tablespoons salt
Black pepper to taste
2 tablespoons paprika
1 bunch fresh thyme, stems removed
6 large oranges, quartered

1. Mix salt, brown sugar, water, cider vinegar, pickling spice, onion, carrot, peppercorns, and bay leaves in a stockpot. Stir to incorporate and submerge turkey. Place in refrigerator for 2-3 hours or overnight. Remove from brine and pat dry with paper towels.
2. Rub salt, pepper, and paprika onto turkey skin. Pull skin off breast meat and scatter $\frac{1}{2}$ the thyme. Replace skin on top of thyme and meat. Stuff inside of turkey with orange quarters and remaining thyme and tie legs together.
3. Place $\frac{1}{3}$ cup of dry wood chips in each of the wood chip bins in roasting pan. Set turkey on rack.
4. Set temperature dial to 225 °F and cook for about 3-6 hours or until turkey reaches a minimum internal temperature of 175 °F-180 °F in all parts of the bird. Remove and let rest for about 20 minutes before carving.

MUSTARD AND HERB CRUSTED BEEF ROAST SANDWICHES

MUSTARD HERB MIXTURE:

2 tablespoons freshly ground black pepper
2 tablespoons Dijon mustard
2 cloves garlic, minced
2 tablespoons fresh Italian flat-leaf parsley
2 tablespoons fresh thyme, stemmed
Salt and pepper to taste
4 Beefsteak tomatoes
1 bunch of arugula
Horseradish sauce
10 hard rolls
4-5 pound top round roast

1. Trim fat from meat and combine mustard herb mixture in a small bowl. Spread mustard herb mixture over meat.
 2. Place $\frac{1}{3}$ cup of dry wood chips in each of the wood chip bins in roasting pan. Add 2 cups water and add rack. Place meat on rack. Cover and turn temperature dial to 225°F.
 3. Place meat in Smoker Roaster and smoke for 2-5 hours or until meat is cooked to desired doneness. Slice thinly, season and serve with sliced tomatoes, arugula, and horseradish sauce on hard rolls.
- 10-12 servings.



SPICY TEXAS BBQ BEEF BRISKET

DRY RUB:

- 2 teaspoons salt
- 1 teaspoon paprika
- 1 teaspoon Mexican chili powder
- 1 teaspoon freshly ground black pepper
- ½ teaspoon ground cumin

SPICY BEER SAUCE:

- 1 bottle favorite barbeque sauce
- ½ cup beer
- 2 tablespoons cider vinegar
- 2 tablespoons brown sugar
- 2 tablespoons chipotle peppers in Adobo sauce
- 1¼ teaspoons black pepper
- ½ teaspoon salt
- 12 hard rolls
- 3-3½ pound beef brisket

1. Place ⅓ cup of dry wood chips in each of the wood chip bins in roasting pan. Add 1 cup of water into bottom of the pan.
2. Combine rub ingredients and rub into brisket. Add brisket to rack. Set temperature dial to 225°F. Cook for 3-6 hours or until meat is tender.
3. In a bowl, combine barbeque sauce, beer, cider vinegar, brown sugar, chipotle peppers, pepper and salt. Taste and adjust flavors if necessary. After 3 hours, baste brisket every 15-20 minutes.
4. To serve, thinly slice meat and serve with spicy beer sauce on hard rolls.

SMOKED BLUEFISH

This is a three-step process (brine, dry, smoke), which takes all day. 4 sides (fillets) of average-sized bluefish (approximately 5-7 pounds total)

BRINE:

- 2 quarts warm water
- ¾ cup kosher salt
- ¾ cup sugar
- ¼ cup soy sauce
- 2 bay leaves
- Zest of 1 lemon
- 2 sprigs fresh dill, chopped

1. Mix brine well in a glass, porcelain or plastic container large enough to hold the fish meat and the brine. Chill brine in the refrigerator overnight.
2. The next morning, place the fish in the brine. Set a plate or other heavy object on top of the fish to keep it submerged. Place the container of brine and fish into the refrigerator for 3 hours.
3. Remove the fish, rinse, pat dry, and lay out (skin side down) on cookie sheets or jelly roll pan lined with waxed paper. Discard brine. Place the fish in a dust-free place and allow to dry, uncovered, for about 1-2 hours until a sticky skin ("pellicule") forms on the surface of the meat.
4. Place ⅓ cup of dry wood chips in each of the wood chip bins in roasting pan. Add 1 cup water to pan. Add fish.
5. Turn temperature dial to 225 °F. Smoke, skin side down on a greased rack in the Smoker Roaster for 2 - 4 hours. The fish should be honey - to molasses-brown and still visibly moist when done. The flesh when finished still has some give to it, like a rare steak, when you press on it with your fingers. Don't smoke it too long or the result will be dry.



6. Cool, wrap tightly and refrigerate.
7. As a variation, Bluefish Pate can be made with equal parts smoked bluefish and Boursin cheese blended in a mini chopper for a special hors d'oeuvre.

SMOKED SWEET AND SPICY HAM

RUB:

- 1 tablespoon paprika
- 1 tablespoon brown sugar
- 2 teaspoons dry mustard
- ½ teaspoon cayenne
- ½ teaspoon ground cloves
- Kosher salt and freshly cracked pepper
- 1 6-pound ham, precooked
- 1 cup pineapple juice
- ¾ cup chicken stock
- ½ cup honey
- 1½ tablespoons olive oil

1. In a small bowl, mix together the rub ingredients. Rub mixture over the ham, and place in refrigerator overnight.
2. Place ½ cup of dry wood chips in each of the wood chip bins in roasting pan. Set ham on rack.
3. Turn temperature dial to 225 °F.
4. Meanwhile, mix together the chicken stock, ¾ cups of pineapple juice, vegetable oil, ½ teaspoon dry mustard, and cloves. Warm over medium heat until completely mixed.
5. Baste with sauce once every hour. Brush generously with glaze a couple of times during the last hour of smoking.

LEMON GARLIC ROAST CHICKEN

- | | |
|-------------------------|--------------------------------|
| 4 to 5-lb. chicken | 2 tablespoons lemon juice |
| 3 cloves garlic, minced | ½ teaspoon ground black pepper |
| 1 teaspoon salt | ¼ cup butter, softened |

Rinse chicken in cold water. Combine remaining ingredients and rub over skin and between skin and meat of chicken. Place roasting rack in cooking pan. Place chicken on roasting rack and cover. Bake at 350°F for 1½ hours or until chicken is done.

BAKED POTATOES

8 to 12 baking potatoes

Wash potatoes and pierce with a fork. Place rack in the pan. Stack potatoes on roasting rack, making sure that they don't touch the sides of cooking pan. Cover and bake at 400°F for 50-60 minutes.

POT LUCK BEEF STEW

- | | |
|---|--|
| 8 -lbs. beef stew meat | 15 medium sized russet potatoes,
peeled and cubed |
| 2 cups dry bread crumbs | 2 tablespoons basil |
| 2 teaspoons salt | 2 cups quick-cooking tapioca |
| ½ teaspoon pepper | 8 cans (4 ounces) sliced
mushrooms, undrained |
| 4 large onions, cut into eighths | 8 cups beef broth |
| 15 cans (10½-oz. each)
condensed tomato soup | 7 stalks celery |
| 4 pounds baby carrots | |

Toss stew meat with bread crumbs, salt and pepper. Place beef in pan and add remaining ingredients; stir well. Cover and roast at 250° F. for 4 to 5 hours or until meat and vegetables are tender.

CHILI FOR A CROWD

- | | |
|---|--------------------------------|
| 3 pounds dry pinto beans,
soaked and drained | 5 cloves garlic, minced |
| 2 jalapeno peppers, finely chopped | 1 can (28-oz.) diced tomatoes |
| 10 pounds ground chuck,
browned and drained | 3 tablespoons cumin |
| 12 cups water | ¾ cup chili powder |
| | 3 cups tomato juice |
| | 2 onions, chopped |



2 green peppers, chopped
3 cans (10½-oz. each)
tomatoes and chillies

Preheat roaster to 350° F. Combine first 8 ingredients in roaster. Cover, cook for 2 ½ hours. Add remaining ingredients. Cover and cook an additional 30 minutes to 1 hour.

MEATBALLS

5 pounds ground beef
1 cup Italian seasoned fine,
dry bread crumbs
1 ½ teaspoons salt
½ teaspoon pepper
5 eggs

Preheat roaster with pan in place to 425° F. Combine all ingredients. Form into 1- inch balls. Place meatballs in pan. Cover; Bake 30 to 45 minutes or until done. Stir occasionally to brown on all sides. Makes approximately 75 meatballs.

PEPPER CRUSTED BRAISED SHORT RIBS

6 - 9 pounds beef short ribs
¼ cup freshly cracked black pepper
2 teaspoons salt
15 cloves garlic, minced
5 (14 ½-oz.) cans beef broth
1 cup red wine, optional

Preheat roaster to 450° F. Rub ribs on all sides with pepper and garlic. Sprinkle with salt. Place ribs in cooking pan and cover. Cook 15-30 minutes, turning to brown on all sides. Pour broth over ribs. Cover, reduce heat to 300° F and cook until tender, 2 to 2 ½ hours.

SPAGHETTI SAUCE

1 can (48-oz.) tomato juice
4 cans (28-oz.) diced tomatoes
2 cans (12-oz.) tomato paste
2 tablespoons Worcestershire sauce
6 cups water
5 cloves garlic, minced
½ cup basil leaves
¼ cup oregano leaves
1 ½ tablespoons parsley
1 tablespoon thyme
1 tablespoon salt
1 teaspoon pepper

Turn roaster to 350° F. Add all ingredients to an oven safe dish, stirring well to combine. Cover, cook 3 to 4 hours until thick, adding meatballs during last 1 to 1 ½ hours. Stir occasionally.

SPICY BEEF ROAST

2 (2 ½ to 3-lb.) beef tip or rump roast
2 - 3 tablespoons cracked
black peppercorns
4 cloves garlic, minced
3 tablespoons balsamic vinegar
¼ cup soy sauce
2 tablespoons Worcestershire
sauce
1 ½ teaspoons dry mustard
½ teaspoon salt

Preheat roaster to 350° F. Make several slits in top of roasts. Place roasts on rack. Set rack in roaster. Combine vinegar, soy sauce, Worcestershire sauce and mustard. Brush marinade over roasts. Combine cracked pepper and garlic. Rub over meat. Sprinkle with salt. Cover; roast 20 to 25 minutes per pound or until roast reaches desired doneness.

PORK ROAST

4 - 5 lb. pork loin roast
4 cloves garlic, minced
1 teaspoon salt
½ teaspoon pepper
½ cup Italian dressing
¼ cup Worcestershire sauce

Preheat roaster to 350° F. Place roast on rack. Press minced garlic into surface of the roast. Place rack in roaster. Combine dressing and Worcestershire sauce. Brush roast with marinade. Cover; cook for 2 to 2 ½ hours or until done.

BAKED BEANS

2 cans (7-lbs. each) pork and beans
1 ½ cup molasses
1 ¼ cup ketchup
1 pound bacon, cooked
until just crisp and cut up
1/2 cup Worcestershire sauce
2 tablespoons dry mustard
powder
¾ cup prepared barbecue sauce

Combine all ingredients in an oven safe dish and place in roaster pan. Cover and cook at 300° F for 2 hours or until heated through. Stir occasionally.



1 Year Limited Warranty

Sunbeam Products, Inc. doing business as Jarden Consumer Solutions or if in Canada, Sunbeam Corporation (Canada) Limited doing business as Jarden Consumer Solutions (collectively "JCS") warrants that for a period of one year from the date of purchase, this product will be free from defects in material and workmanship. JCS, at its option, will repair or replace this product or any component of the product found to be defective during the warranty period. Replacement will be made with a new or remanufactured product or component. If the product is no longer available, replacement may be made with a similar product of equal or greater value. This is your exclusive warranty. Do NOT attempt to repair or adjust any electrical or mechanical functions on this product. Doing so will void this warranty.

This warranty is valid for the original retail purchaser from the date of initial retail purchase and is not transferable. Keep the original sales receipt. Proof of purchase is required to obtain warranty performance. JCS dealers, service centers, or retail stores selling JCS products do not have the right to alter, modify or any way change the terms and conditions of this warranty.

This warranty does not cover normal wear of parts or damage resulting from any of the following: negligent use or misuse of the product, use on improper voltage or current, use contrary to the operating instructions, disassembly, repair or alteration by anyone other than JCS or an authorized JCS service center. Further, the warranty does not cover: Acts of God, such as fire, flood, hurricanes and tornadoes.

What are the limits on JCS's Liability?

JCS shall not be liable for any incidental or consequential damages caused by the breach of any express, implied or statutory warranty or condition.

Except to the extent prohibited by applicable law, any implied warranty or condition of merchantability or fitness for a particular purpose is limited in duration to the duration of the above warranty.

JCS disclaims all other warranties, conditions or representations, express, implied, statutory or otherwise.

JCS shall not be liable for any damages of any kind resulting from the purchase, use or misuse of, or inability to use the product including incidental, special, consequential or similar damages or loss of profits, or for any breach of contract, fundamental or otherwise, or for any claim brought against purchaser by any other party.

Some provinces, states or jurisdictions do not allow the exclusion or limitation of incidental or consequential damages or limitations on how long an implied warranty lasts, so the above limitations or exclusion may not apply to you.

This warranty gives you specific legal rights, and you may also have other rights that vary from province to province, state to state or jurisdiction to jurisdiction.

How to Obtain Warranty Service

In the U.S.A.

If you have any question regarding this warranty or would like to obtain warranty service, please call 1-800-334-0759 and a convenient service center address will be provided to you.

In Canada

If you have any question regarding this warranty or would like to obtain warranty service, please call 1-800-667-8623 and a convenient service center address will be provided to you.

In the U.S.A., this warranty is offered by Sunbeam Products, Inc. doing business as Jarden Consumer Solutions located in Boca Raton, Florida 33431. In Canada, this warranty is offered by Sunbeam Corporation (Canada) Limited doing business as Jarden Consumer Solutions, located at 20 B Hereford Street, Brampton, Ontario L6Y 0M1. If you have any other problem or claim in connection with this product, please write our Consumer Service Department.

PLEASE DO NOT RETURN THIS PRODUCT TO ANY OF THESE ADDRESSES OR TO THE PLACE OF PURCHASE.



PRECAUCIONES IMPORTANTES

Al usar aparatos eléctricos, siempre debe seguir precauciones básicas de seguridad, incluyendo las siguientes:

1. **Lea completamente las instrucciones antes de utilizarlo.**
2. No toque las superficies calientes. Utilice las asas o perillas.
3. Para evitar una descarga eléctrica, no sumerja la base del horno, el cable o el enchufe en agua o cualquier otro líquido.
4. Tenga mucho cuidado al utilizar cualquier aparato eléctrico cerca de niños.
5. Desenchúfelo del tomacorriente cuando no lo utilice y antes de limpiarlo. Deje que se enfríe antes de ponerle o quitarle partes, y antes de limpiarlo.
6. No utilice el horno si el cable o el enchufe están dañados o luego de una falla, o si ha sufrido cualquier tipo de daño. Llame al Departamento de Servicio al Cliente de Oster® (ver garantía) para que sea examinado, reparado o ajustado.
7. No permita que el cable cuelgue por el borde de la mesa o mesada, o que toque superficies calientes, incluyendo la estufa.
8. No lo coloque sobre o cerca de un quemador eléctrico o a gas, o dentro de un horno caliente.
9. Debe tener mucho cuidado al mover un artefacto que contenga aceite u otros líquidos calientes.
10. **CUIDADO:** El vapor que sale por debajo de la tapa o de las cacerolas de comida está caliente y puede causar quemaduras.
11. No utilice el artefacto para ningún otro uso distinto al indicado.
12. Utilice guantes protectores para remover la BANDEJA ASADORA del horno, o para remover una cacerola o comida de la BANDEJA ASADORA.
13. Para desconectar, gire el CONTROL DE LA TEMPERATURA a MIN, luego desenchufe del tomacorriente.
14. Algunas superficies de mesada como Corian® no están diseñadas para soportar el calor generado por ciertos artefactos durante mucho tiempo. Le recomendamos colocar una base para el calor o posafuentes debajo de su producto Oster® para evitar dañar la superficie.
15. Úselo únicamente en el exterior, no lo exponga a la lluvia.
16. Úselo en tomacorrientes con conexión a tierra únicamente.
17. Guarde el producto en el interior cuando no lo utilice – fuera del alcance de los niños.

18. No limpie este producto con un rociador de agua o algo parecido.
19. Tenga cuidado al abrir la tapa. Le sugerimos utilizar una agarradera para horno ya que el asa de la tapa puede calentarse y el vapor que sale por debajo de la tapa puede causar heridas.
20. No precaliente el ahumador/asador.

ESTA UNIDAD ESTA DISEÑADA PARA SER UTILIZADA ÚNICAMENTE AL AIRE LIBRE

Estos artefactos son para USO AL AIRE LIBRE ÚNICAMENTE. No posee partes reparables por el usuario en su interior. No intente reparar este producto. No sumerja la base en agua o ningún otro líquido.

NO INTENTE IGNORAR ESTA CARACTERÍSTICA DE SEGURIDAD.

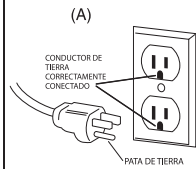
USO DE UN CABLE DE EXTENSIÓN

Este artefacto debe estar conectado a tierra para proteger al operador contra descargas eléctricas. El artefacto viene con un cable de 3 conductores y enchufe de 3 patas para conectar a un tomacorriente con conexión a tierra. El artefacto tiene un enchufe como el que se muestra en la figura (A). Si no cuenta con un tomacorriente con conexión a tierra como se muestra, llame a un electricista calificado. No intente modificar el enchufe de ninguna manera.

Use únicamente cables de extensión de 3 conductores, que tengan enchufes de 3 patas y que acepten el enchufe de 3 patas del artefacto. Debe utilizar cables de extensión para exteriores con productos de uso en el exterior, que estén marcados en la superficie con las letras "W-A" y con una leyenda que diga "Apto para uso con artefactos de exteriores".



ENCHUFE DE 3 PATAS CON CONEXIÓN A TIERRA



PUEDEN USAR UN CABLE DE EXTENSIÓN CON CUIDADO; SIN EMBARGO, DEBE SER APTO PARA MANEJAR EL CONSUMO DEL ARTEFACTO COMO MÍNIMO. No debe permitir que el cable de extensión cuelgue de la mesada o mesa de tal forma que pueda ser jalado por niños o causar que alguien se tropiece. Revise el cable de extensión antes

de usarlo y reemplácelo si está dañado. No abuse del cable de extensión y no jale de ningún cable para desenchufarlo. Mantenga el cable alejado del calor y bordes filosos.

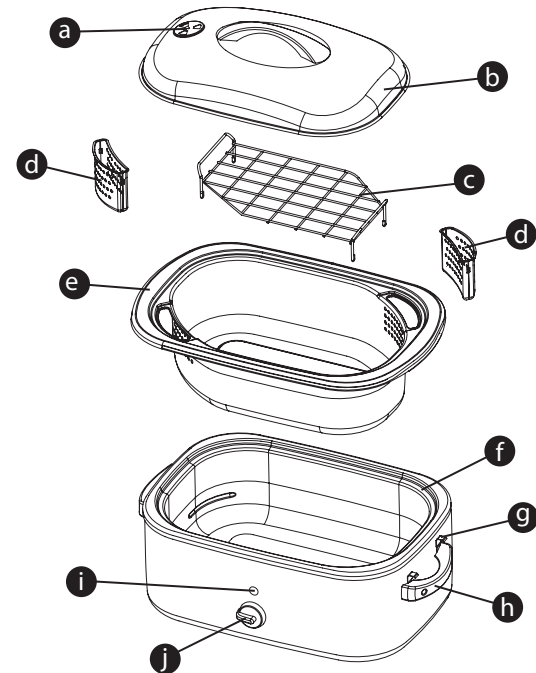
⚠ CUIDADO: Para reducir el riesgo de choque eléctrico, la conexión con un cable de extensión debe mantenerse seca y suspendida sobre el piso.

Algunas superficies no están diseñadas para soportar el calor generado por ciertos artefactos durante mucho tiempo. Le recomendamos colocar una base para el calor o posafuentes debajo de su producto Oster® para evitar dañar la superficie.

CONSERVE ESTAS INSTRUCCIONES

Gracias por comprar el Asador/Ahumador Oster®. Antes de usar este producto por primera vez, tómese un momento para leer estas instrucciones y consérvelas para referencia. Preste particular atención a las instrucciones de seguridad que se ofrecen. Revise la declaración de servicio y garantía del producto. Para conocer más acerca de los productos de Oster®, visítenos en www.oster.com o llámenos al 1-800-334-0759.

APRENDIENDO SOBRE SU ASADOR/AHUMADOR



- a Orificio para salida de Vapor/Humo
- b Lid
- c Parrilla asadora removible
- d Compartimientos para trocitos de madera removibles
- e Cacerola asadora removible
- f Casco del Asador/Ahumador
- g Apoyo para la tapa
- h Mangos laterales
- i Luz indicador
- j Control de temperatura





PREPARÁNDOSE PARA USAR SU ASADOR/AHUMADOR

- 1 Desembale cuidadosamente su ahumador/asador y saque todo el material de empaque. Asegúrese de sacar las partes de todos los lados del embalaje.
- 2 Lave todas las partes de acuerdo con la sección "Limpieza" de este manual.
- 3 Lea este manual y toda otra documentación incluida antes de usar su Ahumador/Asador.

NOTA: Debido al proceso de fabricación, puede notar algo de olor y humo durante su primer uso. Esto debe desaparecer luego de calentar el ahumador/asador por primera vez.

Dónde Usarlo

Coloque su ahumador/asador en el exterior, sobre una superficie dura y nivelada alejado de cualquier voladizo del techo o cualquier material inflamable. Le conviene ubicar su ahumador/asador lejos de toda ventana o puerta abierta para evitar que entre el humo en su casa. Los días ventosos, deberá colocar el ahumador/asador en un área protegida contra el viento.

PUNTOS IMPORTANTES

- Siempre utilice la CACEROLA ASADORA REMOVIBLE en el horno al cocinar.
NOTA: Nunca coloque comida o líquido directamente dentro del CUERPO DEL HORNO.
- Evite acercarse a las ranuras de vapor al quitar o levantar la TAPA.
- Al quitar la TAPA se desprende una cantidad considerable de calor; por lo tanto debe extenderse el tiempo de cocción. Evite quitar la TAPA muy seguido para verificar el progreso de la cocción o para revolver.
- Para utilizar el APOYO DE LA TAPA, sostenga la TAPA en posición vertical mediante el asa y coloque el borde de la TAPA debajo de las pestañas sobre cualquiera de las ASAS laterales.

- Se pueden cocinar comidas rápidas en el horno asador. Coloque el contenedor en la PARRILLA ASADORA. Siga las instrucciones del paquete.
- Las carnes asadas en su horno asador resultarán jugosas y tiernas. Para tostado adicional, recubra la carne con aceite o manteca antes de cocinarla.
- Para crear un asado más oscuro, pieles más secas en las aves, no agregue líquidos (excepto el recubrimiento de manteca o aceite) hasta que falten solo 30 minutos de cocción.





CÓMO SE UTILIZA:

NOTA: Antes de usarlo, asegúrese que la unidad esté desenchufada y se encuentre fría.

1. Retire la tapa y ponga alrededor de ⅓ de taza de trocitos de madera seca dentro de cada compartimiento para trocitos de madera. **NUNCA COLOQUE LOS TROCITOS DE MADERA DIRECTAMENTE DENTRO DEL APARATO.** No utilice trozos de madera grandes. Esto dañaría la unidad.
2. Agregue agua o caldo en el fondo de la cacerola si desea jugosidad extra.
3. Coloque el estante dentro de la bandeja asadora, coloque la comida sobre el estante y coloque la tapa.
4. Enchufe el cable en un tomacorriente de 120 voltios de CA con conexión a tierra. Verifique que el tomacorriente sostenga firmemente al enchufe y que no presente corrosión.

ADVERTENCIA: Para asegurar la protección constante contra descargas eléctricas, use un tomacorriente con buena conexión a tierra. NO utilice el ahumador/asador en la lluvia o sobre una superficie mojada. **NO UTILICE UN CABLE DE EXTENSIÓN HOGAREÑO COMÚN CON ESTE PRODUCTO.** Use únicamente un cable de alta capacidad calibre 14 de 3 conductores y de no más de 12 pies de largo.

5. La luz indicadora de funcionamiento deberá iluminarse, gire el control de temperatura a la temperatura deseada.
6. Permita que se cocinen los alimentos. Utilice la tabla de ahumado de la página 13 para el tiempo aproximado de cocción. (La tabla se basa en temperaturas ambientes por encima de los 60 °F/15 °C. En ambientes más fríos deberá aumentar el tiempo de cocción. También deberá incrementar los tiempos de cocción para altitudes de más de 3500 pies).

NOTA: Es normal que salga humo y olor a quemado del ahumador/ asador. El humo aparecerá cerca de los 30 minutos de haber empezado a cocinar y puede disminuir luego de la primera hora. No agregue más trocitos de madera.

7. Luego de transcurrido el tiempo recomendado de cocción, quite la tapa y revise si la comida se cocinó correctamente.
8. Los compartimientos para trocitos de madera son removibles para facilitar su limpieza. **POR FAVOR** no los retire cuando estén calientes. Permita que la unidad se enfríe antes de retirarlos.

ADVERTENCIA: El ahumador/asador está caliente. Utilice siempre guantes para horno o agarraderas y quite la tapa con cuidado para dejar escapar el vapor y el humo hacia un costado.

NOTA: Para mayor precisión, utilice un termómetro para carnes al verificar si está cocida. Coloque la sonda del termómetro en la parte más gruesa de la carne.

Si la carne no está hecha, vuelva a colocar la tapa y continúe verificando cada 30 minutos de cocción. Cuando la carne esté hecha, gire el control de temperatura a MIN, y desenchufe el Asador Ahumador. Quite la carne del estante.

ASADO

1. Agregue agua a la Cacerola para mantener la comida jugosa mientras se cocina.
2. Coloque el estante dentro de la olla asadora. Coloque la comida en el estante y póngale la tapa.
3. Enchufe el cable en un tomacorriente de 120 voltios de CA con conexión a tierra. Verifique que el tomacorriente sostenga firmemente al enchufe y que no presente corrosión.

ADVERTENCIA: Para asegurar la protección constante contra descargas eléctricas, use un tomacorriente con buena conexión a tierra. NO utilice el ahumador/asador en la lluvia o sobre una superficie mojada. **NO UTILICE UN CABLE DE EXTENSIÓN HOGAREÑO COMÚN CON ESTE PRODUCTO.** Use únicamente un cable de alta capacidad calibre 14 de 3 conductores y de no más de 12 pies de largo.

4. Gire la perilla de temperatura a la temperatura sugerida en la receta. La luz indicadora de funcionamiento se ilumina. El rango de temperatura para asar es desde 300 °F/150 °C hasta 350 °F/175 °C.



5. Permita que se cocinen los alimentos. Utilice la tabla de asado de la página 48 para el tiempo aproximado de cocción. (La tabla se basa en temperaturas ambientes por encima de los 60 °F/15 °C. En ambientes más fríos deberá aumentar el tiempo de cocción. También deberá incrementar los tiempos de cocción para altitudes de más de 3500 pies).
6. Luego de transcurrido el tiempo recomendado de cocción, quite la tapa y revise si la comida se cocinó correctamente.

ADVERTENCIA: El ahumador/asador está caliente. Utilice siempre guantes para horno o agarraderas y quite la tapa con cuidado para dejar escapar el vapor y el humo hacia un costado.

NOTA: Para mayor precisión, utilice un termómetro para carnes al verificar si está cocida. Coloque la sonda del termómetro en la parte más gruesa de la carne.

Si la carne no está hecha, vuelva a colocar la tapa y continúe verificando cada 30 minutos de cocción. Cuando la carne esté hecha, gire la perilla de temperatura a MIN y desenchufe la unidad. Quite la carne del estante.

Puntos Importantes

- No precaliente el asador
- Use siempre la bandeja asadora dentro de la unidad al cocinar.
NOTA: Nunca coloque comida o líquido directamente dentro del gabinete.
- Tenga cuidado al quitar o levantar la tapa ya que puede salir vapor. Utilice la rejilla de ventilación para liberar el vapor antes de levantar la tapa.
- No utilice combustibles sólidos como carbón o briquetas. No utilice líquido para encender carbón.
- Evite quitar la tapa con mucha frecuencia para minimizar la pérdida de vapor y calor durante la cocción. Si quita la tapa, incremente el tiempo de cocción.
- No utilice leña. Use únicamente trocitos de madera.
NOTA: Usando trocitos de madera seca es mejor para producir más humo.

- Las carnes deben estar completamente descongeladas antes de cocinarlas.
- No use el ahumador/asador para preservar alimentos. Esta unidad es apta para ahumar y asar únicamente. Las sobras deben refrigerarse correctamente.
- Los tiempos de cocción son estimados y variarán con la cantidad de comida, las condiciones climáticas del exterior y la altura.
- Puede notar una pequeña cantidad de agua chorreando de la unidad. Esto es normal debido a la condensación de humedad alrededor de la tapa.
- No envuelva el estante, la bandeja colectora, la bandeja asadora ni el gabinete con papel de aluminio.

AHUMADO

El ahumado le da un sabor característico y textura delicada a la comida. La clave es la combinación de trocitos de madera, temperatura baja, vapor y tiempos largos de cocción. A medida que el ahumador/asador se calienta, los trocitos de madera comienzan a arder y producir humo y el agua de la bandeja se comienza a evaporar. El humo penetra en la comida brindándole ese delicioso sabor y el vapor evita que se reseque. Como los tiempos de cocción son muy largos y la temperatura es baja, es casi imposible cocinar de más o resecar los alimentos.

Algunas palabras acerca de Salmuera, Adobos y Salsas

Antes de ahumar sus alimentos, le sugerimos utilizar salmuera, marinados, adobos y salsas.

- **Salmuera:** Una mezcla de agua (u otro líquido), sal y azúcar que mantiene la carne húmeda durante el largo proceso de cocción. La carne se deja en remojo toda la noche con la mezcla antes de cocinarla.
- **Marinados:** Una mezcla de ingredientes secos y líquidos que agrega sabor y ablanda. La carne se moja en la mezcla antes de cocinarla.
- **Adobos:** Una mezcla de hierbas y especias que se friega sobre la carne. Antes de cocinar, deje reposar la carne

adobada en el refrigerador por el tiempo especificado para que absorba el sabor.

- **Salsas:** Una mezcla de ingredientes, a menudo en base a tomate, que se vierte sobre la carne en los últimos 15 – 30 minutos de cocción, o que se sirve con la carne.

Uso de Sabores y Maderas

- Los trocitos de madera le dan a las comidas su sabor característico y son los ingredientes fundamentales del ahumado con agua. El sabor del ahumado variará levemente con el tipo de madera utilizada. Las maderas más comúnmente usadas en ahumado son el nogal, mezquita, cerezo, manzano, arce y aliso.
- Nunca utilice maderas con mucha resina como el pino o el cedro ya que producen un sabor desagradable.
- Los trozos de madera de 1 a 2½ pulgadas de largo y ¼ a ½ pulgada de ancho funcionan mejor. No utilice leña. Los trozos de madera muy pequeños o astillas se quemarán muy rápidamente y pueden no llegar a producir el sabor ahumado deseado.
- Una taza de trocitos es suficiente para 1 hora de ahumado. Use dos tazas para tiempos mayores.
- No agregue trocitos de madera al ahumador/asador cuando esté en uso.
- Pedazos de Madera no están incluidos con este producto.

Trozos de Madera Sugeridos para Ahumar

- **Aliso:** Salmón, pez espada y otros pescados; aves y cerdo.
- **Manzano:** Aves, cerdo y salmón.
- **Cerezo:** Hígado, cerdo y aves.
- **Nogal:** Todo tipo de carnes, aves y pescados.
- **Arce:** Salmón, pollo y cerdo.
- **Mezquita:** Bife y cerdo.
- **Roble:** Todo tipo de carne.

Consejos para Ahumar Pescado

Filetes de pescado condimentados y bifes se pueden ahumar. Al ahumar pescado condimentado, coloque la parte de adentro hacia abajo en el estante. Abra bien el pescado para que penetre más el humo. El pescado, especialmente el pescado sin grasa, se puede cubrir con manteca derretida o aceite antes de cocinarlo para evitar que se reseque. El pescado está hecho cuando el termómetro para carnes indica 140 °F o cuando se desmenuza fácilmente.

TABLA DE AHUMADO

Comida	Cantidad	Tazas de Agua	Tiempo Aprox. de Cocción en Horas
CARNE DE VACA			
Pechito	2½ - 3½ lbs.	¾	4 - 6
Costillar corto	2 - 2½ lbs.	½	2 - 2½
Asado (sin huesos)	2½ - 4 lbs.	¾	2 - 3
Asado (con huesos)	3 - 5 lbs.	¾	2½ - 4
CERDO			
Chuletas	4 1" - thick	½	1 - 1½
Costillas estilo ranchera	2 - 5 lbs.	¾	3 - 5
Costillas	3 - 5 lbs.	¾	3 - 5
Asado (sin huesos)	2 - 3½ lbs.	¾	1 - 3½



TABLA DE AHUMADO

Comida	Cantidad	Tazas de Agua	Tiempo Aprox. de Cocción en Horas
AVES			
Pavo (Uno entero)	16 - 18 lbs.	2	7 - 8
Pollo (Uno entero)	3 - 3½ lbs.	½	2 - 2½
Pechuga de pavo (Deshuesada)	3½ - 4½ lbs.	1	2½ - 3
Muslos de Pavo	3 - 3½ lbs.	½	2 - 2½
PESCADO			
Filetes	1½ - 2 lbs.	¼	1 - 1½
Bifes	4 1" - thick	¼	1 - 1¼
Pescado entero	9 - 10" de largo (3 - 3½ lbs.)	½	1 - 1½

*Todos los tiempos de cocción están basados en el uso de una taza de trocitos de madera de nogal. Los tiempos de cocción son estimados y variarán con la cantidad de comida, las condiciones climáticas del exterior y la altura. Use siempre un termómetro para carnes para verificar que la carne haya alcanzado una temperatura interna apropiada.



GUÍA DE COCINA

Determinación de Grados de Cocción de Carnes

Le recomendamos utilizar un termómetro de carnes para determinar el grado de cocción al preparar carnes y aves. Inserte el termómetro en el centro de la parte más gruesa de la carne. Cócínela hasta alcanzar la temperatura de cocción deseada.

CARNE	A LA INGLESA	TÉRMINO MEDIO	BIEN COCIDA
CARNE DE VACA	140° F	160° F	170° F
CERDO	*	160° F	170° F
CORDERO	140° F	160° F	170° F
JAMÓN AHUMADO	*		
Crudo			160° F
Cocido			140° F
AVES	*		
Pollo Asado			180° F
Pavo			180° F

* No se recomienda el cerdo, jamón o aves a la inglesa.

ASADO DE EXTERIOR

Introducción al Asado de Exterior

El asado le brinda a los alimentos una capa exterior crocante, manteniendo su interior jugoso. Comience con alta temperatura para dorar el exterior y luego disminúyala para terminar de cocinar. Generalmente, los cortes más tiernos de carne o aves son los mejores para asar.

Para añadir sabor y mantener la comida jugosa, agregue agua, caldo o vino a la Cacerola. Rocíelos con su jugo cada media hora para evitar que los alimentos se resequen.



CONSEJOS Y RECOMENDACIONES

- Antes de cocinar, unte las aves y otras carnes naturalmente desgrasadas con aceite, manteca o margarina.
- Al ahumar más de una porción de carne, el tiempo de cocción queda determinado por el trozo más grande de carne.
- Para agregar sabor, use vino u otros líquidos en combinación con el agua de la bandeja asadora. (Por ejemplo, si el cuadro dice que debe usar $\frac{3}{4}$ taza, use $\frac{1}{2}$ taza de agua y $\frac{1}{4}$ taza de vino).
- Para ahumar costillas, colóquelas en el estante. Las costillas se pueden apoyar unas contra otras para que entren, pero no las coloque directamente una encima de la otra ya que eso disminuye la cantidad de sabor ahumado que reciben.
- Se pueden cocinar comidas rápidas en el ahumador/asador. Coloque el contenedor en la PARRILLA ASADORA. Siga las instrucciones del paquete.
- Las carnes asadas en su ahumador/asador resultarán jugosas y tiernas. Para tostado adicional, recubra la carne con aceite o manteca antes de cocinarla. Además, el cocinar la carne en un horno tradicional a 450 °F/230 °C o asarla a la parrilla durante los últimos 20-30 minutos dará como resultado un mejor dorado.
- Para crear un asado más oscuro, pieles más secas en las aves, no agregue líquidos (excepto el recubrimiento de manteca o aceite) hasta que falten solo 30 minutos de cocción. El cocinar con una temperatura más alta reducirá el tiempo de cocción, por ejemplo 350 °F/175 °C en lugar de 325 °F/162 °C.



LIMPIEZA

1. Apague desenchufando, y déjelo enfriar.
2. Lave la tapa, el estante doble, la bandeja colectora y la bandeja asadora en agua caliente con jabón utilizando una esponja o un trapo suave. Enjuáguela y séquela completamente. Si se pega comida en la superficie de cualquiera de estas partes, déjelas en remojo con agua tibia enjabonada antes de limpiarlas.
3. Repase el exterior de la unidad con un trapo suave mojado en agua tibia enjabonada y séquelo. No sumerja la cubierta en agua o ningún otro líquido. Nunca agregue líquidos directamente en la unidad.
4. Verifique que todas las partes estén secas antes de guardarlas.
5. Guarde su ahumador/asador en el interior.
6. No limpie este producto con un rociador de agua.



Carnes Y Aves Asadas

Las carnes se cocinan más rápidamente en el Horno Asador que en un horno común. Al reducir la temperatura y aumentar el tiempo obtendrá una corteza más dorada y crocante. Los tiempos indicados a continuación son aproximados y deben utilizarse como guía solamente.

CARNE	PESOS (LBS.)	TEMPERATURA	MINUTOS/LIBRA
ASADO DE RES			
Costillar	4 – 6	325° F	17 a 21
Punta de solomillo	3 – 5	350° F	17 a 21
Lomo	3½ – 4	450° F	7 a 10
Cazuela de bife	4 – 6	300° F	26 a 34
Corned Beef	3½ – 4	300° F	15 a 17
CORDERO			
Pierna	5 – 8	350° F	20 a 22
Lomo, deshuesado	3 – 4	350° Fw	20 a 22
CERDO			
Lomo	3 – 5	350° F	21 a 26
Arrollado	4 – 6	350° F	30 a 34
Chuletas	4 – 5	325° F	15 a 17
Costillas	8 – 10	450° F para dorar y... luego bajar la temp. a 250° F	15 a 17
JAMÓN AHUMADO			
Con hueso, pierna	10 – 15	325° F	17 a 21
Deshuesado	8 – 12	325° F	15 a 17
Cocido	5 – 10	325° F	13 a 24
HÍGADO			
Lomo	4 – 6	325° F	26 a 30
Hombro	3 – 5	325° F	26 a 30
AVES			
Pollo, entero	3½ – 5	350° F	13 a 15
Pollo, entero	6 – 8	350° F	15 a 17
Pollo, trozos	6 – 8	350° F	7 a 9
Pavo, marinado	10 – 14	375° F	12 a 15
Pavo, marinado	14 – 22	375° F	13 a 15
Pavo, fresco	10 – 14	350° F	15 a 17

Horneado*

- Las ollas de horneado siempre deben colocarse sobre la PARRILLA ASADORA. No coloque las ollas en el fondo de la CACEROLA ASADORA REMOVIBLE.
- Se recomienda el uso de ollas de metal con este horno ya que proporcionan una mejor transferencia de calor y son mejores para dorar.

COMIDA	AJUSTE DE TEMP.	TIEMPO DE COCCIÓN (MIN)
MUFFINS (MOLLETES)	425° F	15 to 20
PAN	375° F	65 to 75
PAN DE LEVADURA	400° F	40 to 45
ROLLOS DE LEVADURA	400° F	18 to 20
GALLETITAS	350° F	11 to 13
BROWNIES	350° F	25 to 30
MAGDALENAS	350° F	25 to 30
PASTEL	350° F	40 to 45
PANQUÉ	350° F	50 to 60
PASTEL DE ROSCA	350° F	50 to 60
PASTEL DE QUESO	325° F	50 to 60
TORTA DE FRUTA	425° F	45 to 50
TORTA DE CREMA	350° F	50 to 60
CUBIERTA DE REPOSTERÍA	425° F	10 to 13
PIZZA	425° F	20 to 25
PAPAS AL HORNO	350° to 400° F	50 to 60
BATATAS	350° to 400° F	55 to 65
PAPAS GRATINADAS	350° F	75 to 90
CALABAZA	400° F	45 to 60
MANZANAS ASADAS	350° F	35 to 45

* Precaliente siempre el asador antes de cocinar.



RECIPES

SÁNDWICHES ABIERTOS DE ROSBIF CON CHAMPIÑONES Y CEBOLLA

ADOBO:

- 2 cucharaditas de chile Mejicano en polvo
- 1/8 cucharadita de pimienta de cayena
- 1/2 cucharadita de sal gruesa
- 1/2 cucharadita de pimienta negra molida
- 1/2 cucharadita de comino molido
- 1/2 barra de manteca
- 2 cebollas grandes peladas y rebanadas
- 2 cucharadas de aceite de oliva extra virgen
- 16 onzas de champiñones, lavados y rebanados
- Más sal gruesa y pimienta molida
- Un bife de asado de solomillo de 3 – 4 libras desgrasado
- 2 – 3 panes franceses grandes abiertos al medio y levemente tostados

1. En un tazón pequeño, combine el chile en polvo, la pimienta de cayena, la sal, la pimienta negra y el comino. Unte la mezcla sobre la carne.
2. Ponga 1/3 de taza de trocitos de madera seca en cada uno de los compartimientos para trocitos de madera en el asador. Coloque la carne para asar en la rejilla inferior.
3. Gire el control de la temperatura a 225°F. Tápelolo y déjelo ahumar por 1 1/2 - 2 horas o hasta que esté hecho a su gusto (un termómetro para carnes indica 140 °F/60 °C para mediano-poco hecho o 155 °F/68 °C para asado mediano).

4. Envuelva el asado con papel de aluminio. Déjelo reposar 15 minutos antes de rebanarlo. Corte rebanadas finas de carne.
5. Derrita la manteca en una sartén grande a fuego mediano. Agregue la cebolla. Mezcle frecuentemente y cocínelas hasta que se ablanden y comiencen a acaramelarse. Agregue el aceite de oliva y los champiñones y siga cocinando a fuego lento hasta que se ablanden los champiñones.
6. Para armar el sándwich, corte las mitades de pan en tres pedazos. Coloque la carne con las cebollas y champiñones sobre el pan. Condimente con sal y pimienta.

Hace 6-8 sándwiches.

COSTILLITAS DE PUERCO DULCES Y AHUMADAS

Dos tiras de costillitas de puerco, de 1 1/2 to 2 1/2 libras cada una

SALSA:

- 1/2 cucharadita de cebolla en polvo
- 2 tazas de ketchup
- 2 cucharadas de salsa inglesa
- 1/4 taza de melaza
- 1/4 taza de azúcar negra
- 1/2 cucharadita de salsa picante

1. Enjuague y seque las costillitas. En un tazón, combine los ingredientes de la salsa y mézclelos bien. Guarde la mitad para servir.
2. Recubra bien cada lado de las costillitas con la salsa.
3. Ponga 1/3 de taza de trocitos de madera seca en cada uno de los compartimientos para trocitos de madera en el asador.
4. Coloque las costillitas en los dos estantes.
5. Gire el control de la temperatura a 225°F.



6. Deje ahumar las costillitas durante 3 horas. Délas vuelta y siga ahumándolas durante otra hora más. Cubra ambos lados de las costillitas con ½ taza de la salsa. Cocínelas hasta que se doblen fácilmente y comiencen a desprenderse del hueso. Sáquelas del ahumador/asador y úntelas con salsa antes de servir las.

Hace 8 porciones.

ASADO DE CERDO AHUMADO CON ROMERO Y AJO

- 4 ramitas de romero
- Cabeza de lomo de cerdo de 2-3 libras, deshuesado
- 2 cucharadas de romero fresco picado
- 1 cucharada de aceite de oliva
- 4 dientes de ajo, picados
- ½ cucharadita de pimienta
- ¼ cucharadita de sal
- ½ limón o lima

1. Ponga ⅓ de taza de trocitos de madera seca en cada uno de los compartimientos para trocitos de madera en el asador. Esparcir 4 espigas de romero sobre los trocitos de madera.
2. Quite la grasa de la carne. Prepare los ingredientes del adobo. Extienda el adobo uniformemente sobre la carne.
3. Coloque la carne sobre el estante del ahumador/asador. Cubra y gire el control de la temperatura a 225°F.
4. Cocínela durante 1 a 3 horas, hasta que la carne alcance una temperatura interna de 155 °F/68 °C.
5. Quite la carne del ahumador/asador y exprima jugo de lima sobre ella. Deje reposar la carne durante 10 minutos para que se asienten los jugos.

Hace 8-10 porciones.

PAVO A LA SAL RELLENO CON NARANJAS Y TOMILLO

SALMUERA:

- 1 taza de sal
- 1 taza de azúcar marrón
- 2 galones de agua o caldo de verduras
- 2 tazas de vinagre de sidra
- 3 cucharadas de especias de encurtir
- 1 cebolla picada
- 1 zanahoria picada
- 1 cucharada de pimienta en grano entera
- 4 hojas de laurel
- Pavo de 16 libras
- 2 cucharadas de sal
- Pimienta negra al gusto
- 2 cucharadas de páprika
- 1 atado de tomillo fresco, sin los tallos
- 6 naranjas grandes, en cuartos

1. Mezcle la sal, el azúcar marrón, el agua, el vinagre de sidra, las especias de encurtir, la cebolla, zanahoria, pimienta en grano y hojas de laurel en una olla. Mezcle bien y sumerja el pavo. Póngalo en el refrigerador durante 2-3 horas o toda la noche. Sáquelo de la salmuera y séquelo con toallas de papel.
2. Friegue la sal, pimienta y páprika sobre la piel del pavo. Quite la piel de la pechuga y distribuya la mitad del tomillo. Vuelva a colocar la piel sobre el tomillo y la carne. Rellene el interior del pavo con los cuartos de naranja y el resto del tomillo y ate las patas entre sí.
3. Ponga ⅓ de taza de trocitos de madera seca en cada uno de los compartimientos para trocitos de madera en el asador. Arregle el pavo sobre la rejilla.



4. Ajuste la perilla de temperatura a 225 °F/108 °C y cocínelo durante 3-6 horas o hasta que el pavo alcance una temperatura interna de 175 °F/79 °C-180 °F/82 °C como mínimo en todas sus partes. Sáquelo y déjelo reposar durante 20 minutos antes del cortarlo.

SÁNDWICHES DE ROSBIF CON COSTRA DE MOSTAZA Y HIERBAS

MEZCLA DE MOSTAZA Y HIERBAS:

- 2 cucharadas de pimienta negra molida
- 2 cucharadas de mostaza de Dijon
- 2 dientes de ajo, picados
- 2 cucharadas de perejil italiano fresco de hoja plana
- 2 cucharadas de tomillo fresco sin tallos
- Sal y pimienta al gusto
- 4 Tomates tipo 'Beefsteak'
- 1 manojo de rúcula
- Salsa de rábano picante
- 10 Panecillos duros
- Asado redondo de 4-5 libras

1. Saque la grasa de la carne y mezcle la mostaza con la hierbas en un tazón pequeño. Cubra la carne con la mezcla de la mostaza y las hierbas.
2. Ponga 1/3 de taza de trocitos de madera seca en cada uno de los compartimientos para trocitos de madera en el asador. Agregue 2 tazas de agua y coloque la rejilla. Ponga la carne sobre la rejilla. Cubra y gire el control de la temperatura a 225°F.
3. Coloque la carne en el ahumador/asador y déjela ahumar durante 2-5 horas o hasta que éste hecha su gusto. Córtela en rebanadas finas, condiméntela y sívala con rebanadas de

tomate, rúcula, y salsa de rábano picante sobre los panecillos duros.

Hace 10-12 porciones.

PECHITO DE VACA PICANTE ESTILO TEJANO

ADOBO SECO:

- 2 cucharaditas de sal
- 1 cucharadita de páprika
- 1 cucharadita de chile Mejicano en polvo
- 1 cucharadita de pimienta negra molida
- 1/2 cucharadita de comino molido

SALSA PICANTE DE CERVEZA:

- 1 botella de su salsa BBQ preferida
- 1/2 taza de cerveza
- 2 cucharadas de vinagre de cidra
- 2 cucharadas de azúcar negra
- 2 cucharadas de chile chipotle ensalza de adobo
- 1 1/4 cucharadita de pimienta negra
- 1/2 cucharadita de sal
- 12 panecillos duros
- Pechito de vaca de 3-3 1/2 libras

1. Ponga 1/3 de taza de trocitos de madera seca en cada uno de los compartimientos para trocitos de madera en el asador. Agregue 1 taza de agua en el fondo de la cacerola.
2. Mezcle los ingredientes del adobo y úntelos sobre la carne. Coloque la carne en el estante Ajuste la perilla de temperatura a 225 °F/108 °C. Cocínela durante 3-6 horas o hasta que esté tierna.
3. En un tazón, mezcle la salsa BBQ, la cerveza, el vinagre de sidra, el azúcar marrón, los chiles chopotle, la pimienta y la



sal. Pruébelo y ajuste el sabor como sea necesario. Luego de tres horas, vuelva a untar la carne con la salsa cada 15-20 minutos.

4. Para servir, corte rebanadas finas de carne y síralas con la salsa picante de cerveza sobre los panecillos duros.

PESCADO AZUL AHUMADO

Este es un proceso de tres pasos (adobado, secado, ahumado), que lleva todo un día.

4 fi letes medianos de pescado azul (aproximadamente 5-7 libras en total)

SALMUERA:

2 cuartos de agua tibia
¾ taza de sal gruesa
¾ taza de azúcar
¼ taza de salsa de soya
2 hojas de laurel
Cáscara de 1 limón rallada
2 tallos frescos de eneldo picados

1. Mezcle bien la sal muera en un recipiente de vidrio, porcelana o plástico suficientemente grande como para todo el pescado y la salmuera. Deje la salmuera en el refrigerador toda la noche.
2. En la mañana siguiente, coloque el pescado en la salmuera. Coloque un plato o algún otro objeto pesado arriba del pescado para mantenerlo sumergido. Coloque el recipiente con la salmuera y el pescado en el refrigerador durante 3 horas.
3. Saque el pescado, enjuáguelo, séquelo y tiéndalo (con el lado de la piel hacia abajo) en bandejas para galletitas o una bandeja recubierta con papel parafinado. Deseche la salmuera. Deje el pescado en un lugar sin polvo para que se seque, destapado, durante 1-2 horas hasta que se forme una película pegajosa en la superficie del pescado.

4. Ponga ⅓ de taza de trocitos de madera seca en cada uno de los compartimientos para trocitos de madera en el asador. Agregue 1 taza de agua a la cacerola. Agregue los pescados.
5. Gire el control de la temperatura a 225°F. Déjelo ahumar, con el lado de la piel hacia abajo, sobre el estante engrasado del ahumador/asador durante 2-4 horas. El pescado debe estar entre amarillento y marrón y todavía jugoso cuando esté hecho. Cuando esté hecho, quedará todavía un poco gomoso, como un bife medio crudo, al presionarlo con los dedos. No lo deje ahumar demasiado o se secará.
6. Déjelo enfriar, envuélvalo y póngalo en el refrigerador.
7. Como una variante, el plato de pescado azul se puede hacer con partes iguales de pescado azul ahumado y queso Boursin picado en una procesadora para hacer un aperitivo especial.

JAMÓN AHUMADO DULCE Y PICANTE

ADOBO:

1 cucharada de páprika
1 cucharada de azúcar negra
2 cucharaditas de mostaza en polvo
½ cucharadita de pimienta de cayena
½ cucharadita de clavos de olor molidos
Sal gruesa y pimienta molida
1 jamón cocido de 6 libras
1 taza de jugo de piña
¾ taza de caldo de gallina
½ taza de miel
1½ cucharadas de aceite de oliva

1. En un tazón pequeño, mezcle todos los ingredientes del adobo. Friegue la mezcla sobre el jamón, y déjelo en el refrigerador durante toda la noche.

2. Ponga $\frac{1}{3}$ de taza de trocitos de madera seca en cada uno de los compartimientos para trocitos de madera en el asador. Arregle el jamón sobre la rejilla.
3. Gire el control de la temperatura a 225°F.
4. Mientras tanto, mezcle el caldo de gallina, $\frac{3}{4}$ taza de jugo de piña, aceite vegetal, $\frac{1}{2}$ cucharadita de mostaza en polvo y los clavos de olor. Caliéntelo a fuego mediano hasta que se mezcle completamente.
5. Recúbralo con la salsa cada una hora. Recúbralo generosamente con el glaseado un par de veces durante la última hora del ahumado.

POLLO ASADO AL LIMÓN Y AJO

- | | |
|---------------------------------------|---------------------------------------|
| 4 a 5-lb. de pollo | 2 cucharadas de jugo de limón |
| 3 dientes de ajo, picados | $\frac{1}{2}$ cucharadita de pimienta |
| 1 cucharadita de sal | negra molida |
| $\frac{1}{4}$ taza de manteca, blanda | |

Enjuague el pollo en agua fría. Mezcle todos los ingredientes y frótelos sobre la piel y entre la piel y la carne del pollo. Coloque la parrilla en la cacerola. Coloque el pollo en la parrilla y tápelo. Cocínelo a 350°F por 1fi horas o hasta que esté cocido.

PAPAS AL HORNO

8 a 12 papas

Lave las papas y pínchelas con un tenedor. Coloque la parrilla en la olla. Apile las papas sobre la parrilla asadora, asegurándose de que no toquen los lados de la cacerola. Cubra y déjelo horneando por 50-60 minutos a 400 °F.

GUISO DE CARNE COMUNITARIO

- | | |
|---------------------------------------|------------------------------------|
| 8 -lbs. carne para guiso | 15 papas blancas de tamaño mediano |
| 2 tazas de pan molido | peladas y cortadas en cubitos |
| 2 cucharaditas de sal | 2 cucharadas de albahaca |
| $\frac{1}{2}$ cucharadita de pimienta | 2 tazas de tapioca |
| 4 cebollas grandes | de cocción rápida |

- | | |
|--------------------------------|-----------------------------|
| cortadas en trocitos | 8 latas (4 onzas) de hongos |
| 4 libras de zanahorias bebé | cortados, sin drenar |
| 8 tazas de caldo de carne | 7 tallos de apio |
| 15 latas (10fi oz c/u) de sopa | |
| de tomates concentrada | |

Mezcle la carne con los trozos de pan molido, sal y pimienta. Coloque la carne en la cacerola y agregue los demás ingredientes; mezcle bien. Tápela y cocínela a 250° F durante 4 o 5 horas o hasta que la carne y las verduras estén tiernas.

CHILI PARA UNA MULTITUD

- | | |
|--------------------------------------|------------------------------------|
| 3 libras de frijoles pinto, | 5 dientes de ajo, picados |
| enjuagados y escurridos | 2 chiles jalapeños, picados fino |
| 1 lata (28 onzas) de tomates picados | 3 cucharadas de comino |
| 10 lib. cuarto delantero picado, | $\frac{3}{4}$ taza de ají en polvo |
| cocido y escurrido | 3 tazas de jugo de tomate |
| 12 tazas de agua | 2 cebollas picadas |
| 2 pimientos verdes picados | 3 latas (10 fi oz c/u) de sopa de |
| | tomates y ají |

Precalente el asador a 350°F. Combine los primeros 8 ingredientes en el asador. Tápelos y cocínelos durante 2 fi horas. Agregue el resto de los ingredientes. Tápelos y cocínelos otros 30 minutos o 1 hora.

ALBÓNDIGAS

- | | |
|----------------------------|---------------------------------------|
| 5 libras de carne picada | 1 $\frac{1}{2}$ cucharaditas de sal |
| 1 taza de pan molido | $\frac{1}{2}$ cucharadita de pimienta |
| a la italiana condimentado | 5 huevos |

Precalente el asador con la cacerola colocada a 425°F. Mezcle todos los ingredientes. Haga bolitas de 1 pulgada. Colóquelas en la cacerola. Tápelas, cocínelas durante 30-45 minutos o hasta que estén hechas. Mezcle ocasionalmente para que se doren en todos lados. Hace aproximadamente 75 albóndigas.

COSTILLAS CORTAS ASADAS A LA PIMIENTA

- | | |
|----------------------------------|--|
| 6 - 9 libras de costillas cortas | 15 dientes de ajo, picados |
| $\frac{1}{4}$ taza de pimienta | 5 latas (14 $\frac{1}{2}$ -oz.) de caldo |
| negra recién molida | de carne |
| 2 cucharaditas de sal | 1 taza de vino tinto, opcional |



Precaliente el asador a 450°F. Frote todos los lados de las costillas con pimienta y ajo. Espolvoréelas con sal. Colóquelas en la cacerola y tápelas. Cocínelas por 15-30 minutos, dándolas vuelta para que se doren por todos lados. Vierta el caldo sobre las costillas. Tápele, baje el calor a 300°F y cocínelo hasta que estén tiernas, 2-2 1/2 horas.

SALSA PARA PASTA

1 lata (48-oz.) de jugo de tomate	1/3 taza de hojas de albahaca
4 latas (28-oz.) de tomates picados	1/4 taza de hojas de orégano
2 latas (12-oz.) de extracto de tomate	1 1/2 cucharadas de perejil
2 cucharadas de salsa inglesa	1 cucharada de tomillo
6 tazas de agua	1 cucharada de sal
5 dientes de ajo, picados	1 cucharadita de pimienta

Coloque el asador a 350°F. Agregue todos los ingredientes en un tazón para horno, mezclando bien para que se combinen. Tápele, cocínelo por 3-4 horas hasta que se espese, agregando las albóndigas durante la última hora o 1 1/2 horas. Mezclar ocasionalmente.

CARNE ASADA PICANTE

2 (2 1/2 a 3-lb.) bifés de aguja o cuadril	1/4 taza de salsa de soya
2 - 3 cucharadas de pimienta en grano molida	2 cucharadas de salsa inglesa
1 1/2 cucharadita de mostaza en polvo	4 dientes de ajo, picados
	1/2 cucharadita de sal
	3 cucharadas de vinagre balsámico

Precaliente el asador a 350°F. Haga varios cortes en la parte de arriba de la carne. Coloque la carne en la parrilla. Coloque la parrilla en el asador. Mezcle el vinagre, salsa de soya, salsa inglesa y mostaza. Cepille la carne con el adobo. Mezcle la pimienta molida con el ajo. Frótela sobre la carne. Espolvoréelas con sal. Tápele, cocínelo por 20-25 minutos por libra o hasta que la carne se haga a su gusto.

ASADO DE CERDO

4 - 5 lb. de lomo de cerdo	1/2 cucharadita de pimienta
4 dientes de ajo, picados	1/2 taza de salsa italiana
1 cucharadita de sal	1/4 taza de salsa inglesa

Precaliente el asador a 350°F. Coloque el lomo en la parrilla. Presione el ajo picado sobre la superficie del lomo. Coloque la parrilla en el asador. Mezcle la salsa italiana e inglesa. Cepille el lomo con el adobo. Tápele, cocínelo durante 2-2 1/2 horas o hasta que esté hecho.

FRIJOLOS COCIDOS

2 latas (7-lbs. c/u) de cerdo y frijoles	1/2 taza de salsa inglesa
1 1/2 taza de melaza	2 cucharadas de mostaza en polvo
1 1/4 taza de ketchup	1 libra de tocino, cocido hasta que esté crocante y cortado
3/4 taza de salsa BBQ	

Mezcle los ingredientes en un tazón para horno y colóquelo en la cacerola. Tápele y cocínelo a 300°F por 2 horas o hasta que se haya calentado bien. Mezclar ocasionalmente.





Garantía Limitada de 1 Año

Sunbeam Products, Inc. operando bajo el nombre de Jarden Consumer Solutions, o en Canadá, Sunbeam Corporation (Canada) Limited operando bajo el nombre de Jarden Consumer Solutions, (en forma conjunta, "JCS"), garantiza que por un período de un año a partir de la fecha de compra, este producto estará libre de defectos de materiales y mano de obra. JCS, a su elección, reparará o reemplazará este producto o cualquier componente del mismo que presente defectos durante el período de garantía. El reemplazo se realizará por un producto o componente nuevo o reparado. Si el producto ya no estuviera disponible, se lo reemplazará por un producto similar de valor igual o superior. Ésta es su garantía exclusiva. No intente reparar o ajustar ninguna función eléctrica o mecánica de este producto. Al hacerlo eliminará esta garantía.

La garantía es válida para el comprador minorista original a partir de la fecha de compra inicial y la misma no es transferible. Conserve el recibo de compra original. Para solicitar servicio en garantía se requiere presentar un recibo de compra. Los agentes y centros de servicio de JCS o las tiendas minoristas que venden productos de JCS no tienen derecho a alterar, modificar ni cambiar de ningún otro modo los términos y las condiciones de esta garantía.

Esta garantía no cubre el desgaste normal de las piezas ni los daños que se produzcan como resultado de uso negligente o mal uso del producto, uso de voltaje incorrecto o corriente inapropiada, uso contrario a las instrucciones operativas, y desarme, reparación o alteración por parte de un tercero ajeno a JCS o a un Centro de Servicio autorizado por JCS. Asimismo, la garantía no cubre actos fortuitos tales como incendios, inundaciones, huracanes y tornados

¿Cuál es el límite de responsabilidad de JCS?

JCS no será responsable de daños incidentales o emergentes causados por el incumplimiento de alguna garantía o condición expresa, implícita o legal.

Excepto en la medida en que lo prohíba la ley aplicable, cualquier garantía o condición implícita de comerciabilidad o aptitud para un fin determinado se limita, en cuanto a su duración, al plazo de la garantía antes mencionada.

JCS queda exenta de toda otra garantías, condiciones o manifestaciones, expresa, implícita, legal o de cualquier otra naturaleza.

JCS no será responsable de ningún tipo de daño que resulte de la compra, uso o mal uso del producto, o por la imposibilidad de usar el producto, incluidos los daños incidentales, especiales, emergentes o similares, o la pérdida de ganancias, ni de ningún incumplimiento contractual, sea de una obligación esencial o de otra naturaleza, ni de ningún reclamo iniciado contra el comprador por un tercero.

Algunas provincias, estados o jurisdicciones no permiten la exclusión o limitación de los daños incidentales o emergentes ni las limitaciones a la duración de las garantías implícitas, de modo que es posible que la exclusión o las limitaciones antes mencionadas no se apliquen en su caso.

Esta garantía le otorga derechos legales específicos y es posible que usted tenga otros derechos que varían de un estado, provincia o jurisdicción a otro.

Cómo solicitar el servicio en garantía

En los Estados Unidos

Si tiene alguna pregunta sobre esta garantía o desea recibir servicio de garantía, llame al 1-800-334-0759 y podrá obtener la dirección del centro de servicio que le resulte más conveniente.

En Canadá

Si tiene alguna pregunta sobre esta garantía o desea recibir servicio de garantía, llame al 1-800-667-8623 y podrá obtener la dirección del centro de servicio que le resulte más conveniente.

En los Estados Unidos, esta garantía es ofrecida por Sunbeam Products, Inc. operando bajo el nombre de Jarden Consumer Solutions, Boca Ratón, Florida 33431. En Canadá, esta garantía es ofrecida por Sunbeam Corporation (Canada) Limited operando bajo el nombre de Jarden Consumer Solutions, 20 B Hereford Street, Brampton, Ontario L6Y 0M1. Si usted tiene otro problema o reclamo en conexión con este producto, por favor escriba al Departamento de Servicio al Consumidor.

POR FAVOR NO DEVUELVA ESTE PRODUCTO A NINGUNA DE ESTAS DIRECCIONES NI AL LUGAR DE COMPRA.



Free Manuals Download Website

<http://myh66.com>

<http://usermanuals.us>

<http://www.somanuals.com>

<http://www.4manuals.cc>

<http://www.manual-lib.com>

<http://www.404manual.com>

<http://www.luxmanual.com>

<http://aubethermostatmanual.com>

Golf course search by state

<http://golfingnear.com>

Email search by domain

<http://emailbydomain.com>

Auto manuals search

<http://auto.somanuals.com>

TV manuals search

<http://tv.somanuals.com>