

Oster®

User Manual **6-Slice Toaster Oven**

Manual del usuario **Horno Tostador para 6 Rebanadas**

Notice d'utilisation **Four grille-pain 6 tranches**

MODEL/MODÈLE
MODELO **6056**



Visit us at www.oster.com

P.N. 119308

Download from www.Somanuals.com. All Manuals Search And Download.

IMPORTANT SAFEGUARDS

SAVE AND READ THESE INSTRUCTIONS

When using electrical appliances, basic safety precautions should always be followed including the following:

- **READ ALL INSTRUCTIONS, PRODUCT LABELS AND WARNINGS BEFORE USING THE TOASTER OVEN.**
- Do not touch hot surfaces. Always use oven mitts when handling hot materials and allow metal parts to cool before cleaning. Allow the unit to cool thoroughly before putting in or taking off parts. Always use the oven handles when moving the unit.
- When the unit is not in use and before cleaning, unplug the toaster oven from the wall outlet. **Note:** Make sure the oven is turned off before unplugging.
- To protect against risk of electrical shock, do not immerse the appliance in water or any other liquids.
- Close supervision is always necessary when this or any appliance is used near children. This appliance is not for use by children.
- Do not operate this appliance with a frayed or damaged cord or plug or after the appliance malfunctions or is dropped or has been damaged in any manner. Return appliance to the nearest authorized service facility for examination, repair, or adjustment.
- Do not use attachments not recommended by the manufacturer; they may cause fire, electric shock or personal injury.
- Do not use outdoors or for commercial purposes.
- Do not use this appliance for other than its intended use.
- Do not let the cord dangle over the edge of a tabletop or countertop or touch hot surfaces.
- Do not place the appliance near a hot gas or electric burner or in a heated oven.
- Extreme caution should be used when using containers constructed of material other than metal or glass.
- A fire may occur if the toaster oven is covered or touching flammable materials, including curtains, draperies, walls, etc., when in operation. Do not store any items on top of the appliance when in operation.
- When using toaster oven, pull the unit out a minimum of 6 inches away from walls on all sides. Remove cords from other products from behind toaster oven.
- Do not store any materials, other than manufacturer's recommended accessories, in this unit when not in use.
- Do not place any flammable materials in oven, such as paper, cardboard, plastic or any materials that may catch fire or melt.
- Do not cover the oven with metal foil. This will cause overheating of the appliance.
- Oversized foods or metal utensils must not be inserted in the appliance as they may create a fire or risk of electrical shock.
- Do not clean with metal scouring pads. Pieces can break off the pad and touch electrical parts involving a risk of electrical shock.
- When broiling, use extreme caution when removing tray or disposing of hot grease.
- To turn this appliance off, return all controls to the "OFF" position.
- To disconnect, turn all controls to "OFF", then remove plug from wall outlet.

THIS UNIT IS FOR HOUSEHOLD USE ONLY

SHORT POWER SUPPLY CORD INSTRUCTIONS

A short power-supply cord is provided to reduce the risk resulting from becoming entangled in or tripping over a longer cord. An extension cord may be used if care is exercised in its use. If an extension cord is used, the electrical rating of the cord must be at least as great as the electrical rating of the appliance. The extension cord should be arranged so that it will not drape over the countertop or tabletop where it can be pulled on by children or tripped over unintentionally.

For Products Purchased in the United States and Canada Only

To reduce the risk of electrical shock, this appliance has a polarized plug (*one blade is wider than the other*). This plug fits a polarized outlet only one way; if the plug does not fit fully into the outlet, reverse the plug. If it still does not fit, contact a qualified electrician. **Do not** attempt to modify the plug in any way.

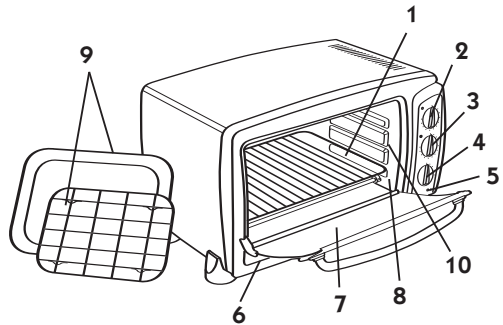
SAVE THESE INSTRUCTIONS

Welcome

Congratulations on your purchase of an OSTER® Toaster Oven!

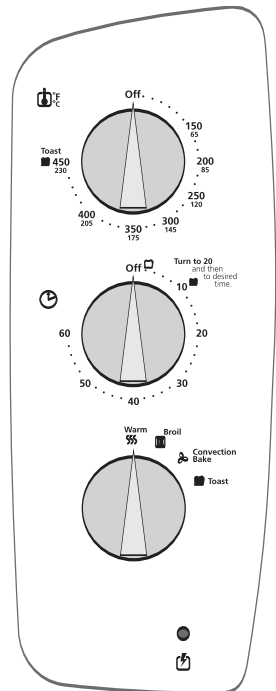
Features of Your Toaster Oven

1. One Removable Wire Rack
2. Temperature Selector Knob
3. Timer Selector Knob
4. Function Selector Knob
5. Power Light
6. External Crumb Tray
7. Glass Door
8. Easy Clean Interior Walls
9. Baking Pan and Broiling Rack
10. Three Rack Positions



Learning About Your Toaster Oven

1. **Removable Wire Rack** – To accommodate a wide variety of foods, the oven has a removable wire rack and three rack positions.
2. **Temperature Selector Knob** – Adjust the dial thermostat to the desired temperature.
3. **Timer Selector Knob** – Adjust the dial to the desired time.
4. **Function Selector Knob** – Select cooking function by turning knob to desired setting.
5. **Power Light** – Indicates that oven is plugged in and that the timer is set to begin warming.
6. **External Crumb Tray** – For crumbs or fallen food particles collection. Pulls out for easy cleaning.
7. **Glass Door** – Allows you to see food cooking.
8. **Easy Clean Interior Walls** – Allows for easy cleaning.
9. **Baking Pan and Broiling Rack** – Use for all your baking, broiling and grilling needs.
10. **Three Rack Positions**



Preparing To Use Your Toaster Oven for the First Time

If you are using your toaster oven for the first time, please be sure to:

Remove any stickers from the surface of the oven.

Open oven door and remove all printed documents and paper from inside the toaster oven.

Clean the rack, tray, and pan with hot water, a small amount of dishwashing liquid and a non-abrasive sponge or cleaning pad.

DO NOT IMMERSER THE BODY OF THE UNIT IN WATER.

Dry the unit thoroughly before using.

Select a location for the toaster oven. The location should be in an open area on a flat counter where the plug will reach an outlet.

Plug the toaster oven into a 120 Volt AC electrical outlet.

PLEASE NOTE – It is recommended that the toaster oven heat at 450° for approximately 15 minutes to eliminate any manufacturing residue that may remain after shipping.

Using Your Toaster Oven Preheating the Oven

Place oven rack into the desired position before heating the oven.

(See “Positioning Rack” Section)

Turn the temperature control knob to the desired temperature.

Turn the function selector knob to the desired setting.

Set the timer knob to desired time and allow 7 – 9 minutes for the oven to preheat.

To Use the Warm Function

NOTE: The warm function is for warming and keeping food warm after heating.

Select desired oven rack position. *(See “Positioning Rack” Section)*

Arrange food on the wire rack or in the baking pan.

Turn the temperature control knob to the desired temperature.

Turn the function selector knob to the WARM setting. Only the bottom heater element will operate. (The heater elements will cycle ON and OFF to maintain temperature.)

Turn the timer knob to the desired time. The timer can be set for up to 60 minutes.

Interior light turns on when timer is on. At the end of the cooking time, a bell signal sounds, and the oven turns off automatically. To set the timer for less than 20 minutes, **turn the timer past the 20-minute mark to engage timer switch and then turn it back to desired time;** it can then be set for cooking that will only require a few minutes.

When warming is completed, open door fully and remove food carefully.

WARNING: Cooked food can be very hot, especially pastry fillings. Handle with care.

To Use the Variable Broil Function

Select desired oven rack position. *(See “Positioning Rack” Section)*

Place broil rack in oven pan to make broiler pan.

Arrange food on broiler pan.

Place broiler pan on oven rack.

Close the door to the first notch, leaving approximately a 3-inch gap at the top.

This will insure adequate airflow during broiling.

Turn the temperature control knob to the desired temperature.

Turn the function selector knob to the BROIL setting. Only the top heater element will operate.

Turn the timer knob to the desired time. The timer can be set for up to 60 minutes.

Interior light turns on when timer is on. At the end of the cooking time, a bell signal sounds, and the oven turns off automatically.

To set the timer for less than 20 minutes, **turn the timer past the 20-minute mark to engage timer switch and then turn it back to desired time**; it can then be set for cooking that will only require a few minutes.

Turn food over about halfway through the broiling time.

When broiling is completed, open door fully and remove food carefully.

WARNING: Do not leave Toaster Oven unattended.

To Use the Convection Bake Function

Select desired oven rack position. (See "Positioning Rack" Section)

Arrange food on the wire rack or in the baking pan.

Turn the temperature control knob to the desired temperature.

Turn the function selector knob to the BAKE setting. Both the top and bottom heater elements will operate.

Turn the timer knob to the desired time. The timer can be set for up to 60 minutes. Interior light turns on when timer is on. At the end of the cooking time, a bell signal sounds and the oven turns off automatically. To set the timer for less than 20 minutes, **turn the timer past the 20-minute mark to engage timer switch and then turn it back to desired time**; it can then be set for cooking that will only require a few minutes.

NOTE – The top and bottom heating elements will cycle ON and OFF to maintain the desired temperature.

When baking is completed, open door fully and remove food carefully.

WARNING: Cooked food can be very hot. Handle with care.

Do not leave Toaster Oven unattended.

Defrosting Tip – When defrosting, do not preheat oven. Turn Temperature Control to 250°F. Allow 15 to 20 minutes per side for meats or fish to defrost. Always cook food promptly after thawing.

To Use the Toast Function

Select desired oven rack position. (See "Positioning Rack" Section)

NOTE – Different types of bread require different settings. Lighter breads and waffles require a lighter setting. Darker breads, muffins, and English muffins require a darker setting.

Arrange food on the wire rack.

1. Turn the temperature control knob to the TOAST setting.
2. Turn the function selector knob to the TOAST setting. Both the top and bottom heater elements will operate.
3. To set the timer, **turn the timer past the 20 minute mark to engage timer switch** and set back to desired toast setting.

When toasting is completed, open door fully and remove food carefully.

NOTE – The top and bottom heating elements will cycle ON and OFF to maintain the desired temperature.

WARNING: Cooked food can be very hot. Handle with care.

Do not leave Toaster Oven unattended.

Positioning Rack

To accommodate a wide variety of foods the oven has three rack positions. (See Figure 3)

Positioning of the rack will depend on the size of the food and desired browning.

Before removing the rack allow the unit to cool.

PLEASE NOTE – For best toast and pizza results, position the rack in the up position on the middle rack guide.

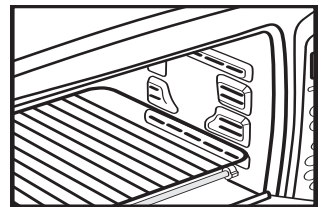


FIGURE 3

Cleaning Your Toaster Oven

Before cleaning your OSTER® Toaster Oven, unplug it and allow it to cool. To clean, wipe with damp cloth. **DO NOT IMMERSE IN WATER!** Make sure to use only mild, soapy water. Abrasive cleaners, scrubbing brushes and chemical cleaners will damage the coating on this unit. Empty crumb tray frequently to avoid accumulation of crumbs. Toaster oven racks are dishwasher safe (*top of dishwasher only*).

Storing Your Toaster Oven

Allow the appliance to cool completely before storing. If storing the toaster oven for long periods of time, make certain that the toaster oven is clean and free of food particles. Store the toaster oven in a dry location such as on a table or countertop or cupboard shelf. Other than the recommended cleaning, no further user maintenance should be necessary.

HELPFUL TIPS / TROUBLESHOOTING		
PROBLEM	POTENTIAL CAUSE	SOLUTION
<ul style="list-style-type: none"> Overcooked / Undercooked Foods 	<ul style="list-style-type: none"> Incorrect temperature or time setting Rack placement 	<ul style="list-style-type: none"> You may have to adjust the time and temperature to desired taste. Because your toaster oven is smaller than your regular oven, it will heat up faster and generally cook in shorter periods of time. Refer to “Positioning Rack” Section, Page English-4. Rack may need to be adjusted to accommodate food type.
<ul style="list-style-type: none"> Burnt Smell 	<ul style="list-style-type: none"> Food build-up inside oven, on heating elements or in crumb tray. 	<ul style="list-style-type: none"> Refer to “Cleaning Your Toaster Oven” Section, Page English-5.
<ul style="list-style-type: none"> Oven does not turn ON 	<ul style="list-style-type: none"> Unit is unplugged Timer was not turned past 20 minute mark. 	<ul style="list-style-type: none"> Plug the toaster oven into a 120-volt AC electrical outlet. Set timer knob and temperature knob to desired setting. Both must be turned on to operate the toaster oven.
<ul style="list-style-type: none"> Only one heating element is heating up 	<ul style="list-style-type: none"> Function setting selection determines which heating element will operate. 	<ul style="list-style-type: none"> When toasting, make sure the oven is not set to broil setting.
<ul style="list-style-type: none"> Heating elements do not stay ON 	<ul style="list-style-type: none"> Heating elements will cycle ON and OFF to maintain proper heat. 	<ul style="list-style-type: none"> Be certain that function is as desired.

One-Year Limited Warranty

Sunbeam Products, Inc., d/b/a Jarden Consumer Solutions, or if in Canada, Sunbeam Corporation (Canada) Limited, d/b/a Jarden Consumer Solutions (collectively “Sunbeam”) warrants that for a period of one year from the date of purchase, this product will be free from defects in material and workmanship. Sunbeam, at its option, will repair or replace this product or any component of the product found to be defective during the warranty period. Replacement will be made with a new or remanufactured product or component. If the product is no longer available, replacement may be made with a similar product of equal or greater value. This is your exclusive warranty.

This warranty is valid for the original retail purchaser from the date of initial retail purchase and is not transferable. Keep the original sales receipt. Proof of purchase is required to obtain warranty performance. Sunbeam dealers, service centers, or retail stores selling Sunbeam products do not have the right to alter, modify or any way change the terms and conditions of this warranty.

This warranty does not cover normal wear of parts or damage resulting from any of the following: negligent use or misuse of the product, use on improper voltage or current, use contrary to the operating instructions, disassembly, repair or alteration by anyone other than Sunbeam or an authorized Sunbeam service center. Further, the warranty does not cover: Acts of God, such as fire, flood, hurricanes and tornadoes.

What Are the Limits on Sunbeam’s Liability?

Sunbeam shall not be liable for any incidental or consequential damages caused by the breach of any express, implied or statutory warranty or condition.

Except to the extent prohibited by applicable law, any implied warranty or condition of merchantability or fitness for a particular purpose is limited in duration to the duration of the above warranty.

Sunbeam disclaims all other warranties, conditions or representations, express, implied, statutory or otherwise.

Sunbeam shall not be liable for any damages of any kind resulting from the purchase, use or misuse of, or inability to use the product including incidental, special, consequential or similar damages or loss of profits, or for any breach of contract, fundamental or otherwise, or for any claim brought against purchaser by any other party.

Some provinces, states or jurisdictions do not allow the exclusion or limitation of incidental or consequential damages or limitations on how long an implied warranty lasts, so the above limitations or exclusion may not apply to you.

This warranty gives you specific legal rights, and you may also have other rights that vary from province to province, state to state or jurisdiction to jurisdiction.

How To Obtain Warranty Service

In the U.S.A. –

If you have any question regarding this warranty or would like to obtain warranty service, please call 1.800.334.0759 and a convenient service center address will be provided to you.

In Canada –

If you have any question regarding this warranty or would like to obtain warranty service, please call 1.800.667.8623 and a convenient service center address will be provided to you.

In the U.S.A., this warranty is offered by Sunbeam Products, Inc., located in Boca Raton, Florida 33431. In Canada, this warranty is offered by Sunbeam Corporation (Canada) Limited, located at 5975 Falbourne Street, Mississauga, Ontario L5R 3V8.

PLEASE DO NOT RETURN THIS PRODUCT TO ANY OF THESE ADDRESSES OR TO THE PLACE OF PURCHASE.

PRECAUCIONES IMPORTANTES

LEA Y GUARDE ESTAS INSTRUCCIONES

Cuando se usen aparatos eléctricos, siempre se deben seguir precauciones básicas de seguridad, entre las que se incluyen las siguientes:

- **LEA TODAS LAS INSTRUCCIONES, LAS ETIQUETAS DEL PRODUCTO Y LAS ADVERTENCIAS ANTES DE USAR EL HORNO TOSTADOR.**
- No toque las superficies calientes. Siempre utilice guantes de horno al manejar materiales calientes y deje que las partes metálicas se enfríen antes de limpiarlas. Deje enfriar bien el aparato antes de poner o quitar piezas. Siempre utilice las asas del horno cuando lo mueva.
- Cuando no se esté usando el horno tostador y antes de limpiarlo, desenchúfelo del tomacorriente. Nota: Verifique que el horno esté apagado antes de desenchufarlo.
- Para protegerse contra el riesgo de descarga eléctrica, no sumerja el aparato en agua ni en ningún otro líquido.
- Siempre es necesaria una supervisión directa cuando éste o cualquier aparato se use cerca de niños. Este aparato no debe ser usado por niños.
- No use éste ni ningún otro aparato con un cordón o ficha gastados o dañados, ni después de que el aparato no haya funcionado bien, se haya caído o se haya dañado de alguna forma. Devuelva el aparato al taller de servicio autorizado más cercano, para su examen, reparación o ajuste.
- No utilice accesorios no recomendados por el fabricante ya que pueden provocar incendios, descarga eléctrica o lesiones personales.
- No lo use al aire libre ni para fines comerciales.
- No use este aparato para ningún otro fin que no sea el previsto.
- No permita que el cordón cuelgue del borde de una mesa o de un mostrador, ni que toque superficies calientes.
- No coloque el aparato cerca de un quemador eléctrico o de gas caliente ni en un horno caliente.
- Se debe emplear extrema precaución al usar recipientes hechos de algún material que no sea metal o vidrio.
- Puede producirse un incendio si el horno tostador está cubierto o está tocando materiales inflamables, incluyendo cortinas, colgaduras, paredes, etc. cuando esté en funcionamiento. No guarde ningún artículo encima del aparato cuando esté en funcionamiento.
- Cuando use el horno tostador, colóquelo a un mínimo de 6 pulgadas alejado de la pared por todos sus lados. Quite los cordones de otros artículos que puedan estar detrás del horno tostador.
- Cuando no se esté usando, no guarde ningún material en este aparato, aparte de los accesorios recomendados por el fabricante.
- No coloque ningún material inflamable en el horno, como papel, cartón, plástico ni cualquier material que pueda prenderse fuego o derretirse.
- No cubra el horno con papel de aluminio. Esto provocará un recalentamiento del aparato.
- No se deben introducir alimentos ni utensilios metálicos demasiado grandes en el aparato, ya que pueden provocar un incendio o el riesgo de descarga eléctrica.
- No lo limpie con estropajos de metal. Pueden romperse trozos del estropajo y tocar piezas eléctricas, con el peligro de que provoquen una descarga eléctrica.
- Al asar a la parrilla, tenga sumo cuidado cuando retire la bandeja o se deshaga de la grasa caliente.
- Para apagar este aparato, coloque todos los controles en la posición de apagado "OFF".
- Para desconectar, gire todos los controles a la posición apagada ("OFF") y luego saque la ficha del tomacorriente.

EESTE APARATO ES SÓLO PARA USO DOMÉSTICO

INSTRUCCIONES PARA EL CORDÓN ELÉCTRICO CORTO

Se proporciona un cordón eléctrico corto para reducir el posible riesgo de engancharse o tropezar con un cordón más largo. Se puede usar un cordón de alargue si se tiene cuidado. Si se usa un cordón de alargue, la clasificación eléctrica del cordón debe ser al menos tan grande como la clasificación eléctrica del aparato. El cordón de alargue se debe colocar de manera que no cuelgue del mostrador o de la mesa en donde los niños puedan tirar del mismo o tropezarse involuntariamente.

PARA PRODUCTOS COMPRADOS SÓLO EN LOS ESTADOS UNIDOS Y EN CANADÁ

Para reducir el riesgo de descarga eléctrica, este aparato tiene una ficha polarizada (*una cuchilla de contacto es más ancha que la otra*). Esta ficha sólo encaja en un tomacorriente polarizado de una forma, si la ficha no encaja perfectamente bien en el tomacorriente, inviértala. Si aún no encaja bien, comuníquese con un electricista competente. No intente cambiar la ficha de ninguna forma.

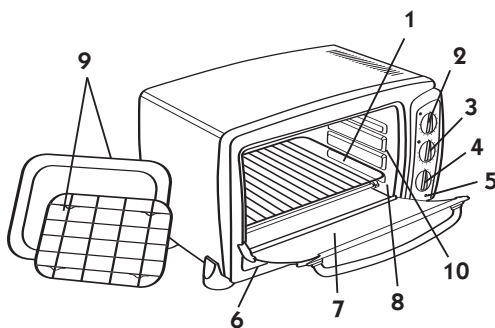
GUARDE ESTAS INSTRUCCIONES

Bienvenido

¡Felicitaciones por su compra de un Horno Tostador OSTER®!

Características de su horno tostador

1. Una rejilla de alambre desmontable
2. Perilla selectora de la temperatura
3. Perilla selectora del tiempo
4. Perilla selectora de la función
5. Luz de energía
6. Bandeja externa para migas
7. Puerta de vidrio
8. Paredes interiores fáciles de limpiar
9. Bandeja para hornear y rejilla para asar a la parrilla
10. Tres posiciones para la rejilla



Información más detallada sobre su horno Tostador

1. Rejilla de alambre desmontable –

Para acomodar una gran variedad de alimentos, el horno tiene una rejilla de alambre desmontable que se puede colocar en tres posiciones diferentes.

2. Perilla selectora de la temperatura –

Regule el termostato de cuadrante a la temperatura deseada.

3. Perilla selectora del tiempo –

Seleccione la función del horno haciendo girar la perilla a la graduación deseada.

4. Perilla selectora de la función –

Pour sélectionner la fonction de cuisson en tournant le bouton au réglage désiré.

5. Luz de energía –

Indica que el horno está enchufado y que el contador de tiempo está activado para comenzar a calentar.

6. Bandeja externa para migas –

Para recoger las migas o las partículas de alimentos que se caigan. Se saca para facilitar la limpieza.

7. Puerta de vidrio –

Le permite ver cómo se cocinan los alimentos.

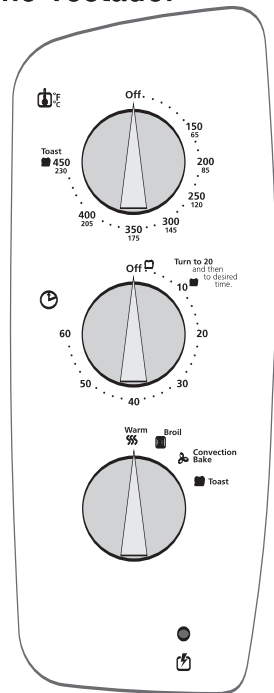
8. Paredes interiores fáciles de limpiar –

Facilitan la limpieza.

9. Bandeja para hornear y rejilla para asar a la parrilla –

Se usa para hornear y asar a la parrilla.

10. Tres posiciones para la rejilla



Preparación para usar el horno tostador por primera vez

Cuando utilice su horno tostador por primera vez, verifique lo siguiente:

Retire todas las pegatinas de la superficie del horno.

Abra la puerta del horno y saque todos los documentos impresos y los papeles que estén dentro del horno tostador.

Limpie la rejilla y las bandejas con agua caliente, una pequeña cantidad de líquido lavavajillas y una esponja o estropajo no abrasivos.

NO SUMERJA LA UNIDAD DEL HORNO EN AGUA.

Seque el aparato bien antes de usarlo.

Escoja un lugar para colocar el horno tostador. El lugar debe ser en un área abierta sobre una plataforma plana en donde la ficha pueda llegar al tomacorriente.

Enchufe el horno tostador en un tomacorriente de 120 voltios de CA.

IMPORTANTE – Se recomienda calentar el horno tostador a 450° durante 15 minutos aproximadamente, para eliminar todo residuo de fabricación que pueda haber permanecido después del envío.

Cómo usar el horno tostador

Calentar el horno

Coloque la rejilla del horno en la posición deseada antes de calentar el horno.
(Consulte la sección “Cómo colocar la rejilla”)

Gire la perilla de control de temperatura a la temperatura deseada.

Gire la perilla selectora de función a la graduación deseada.

Coloque la perilla del contador de tiempo en el tiempo deseado y espere entre 7 y 9 minutos hasta que el horno se caliente.

Cómo usar la función de Calentar/Entibiar (“WARM”)

NOTA: La función de calentar/entibiar (“WARM”) es para entibiar alimentos y mantenerlos tibios después de haberlos calentado.

Seleccione la posición deseada para la rejilla del horno.
(Consulte la sección “Cómo colocar la rejilla”)

Coloque los alimentos sobre la rejilla de alambre o en la bandeja para hornear.

Gire la perilla de control de temperatura a la temperatura deseada.

Gire la perilla selectora de función a la graduación de entibiar (WARM). Sólo el elemento calentador inferior funcionará (Los elementos calentadores se encenderán y se apagarán alternadamente para mantener la temperatura).

Gire la perilla del contador de tiempo a la graduación de tiempo deseada. El contador de tiempo se puede graduar para hasta 60 minutos. La luz interior se encenderá cuando el contador de tiempo esté activado. Al terminar el tiempo de cocción sonará un timbre y el horno se apagará automáticamente. Para graduar el contador de tiempo a menos de 20 minutos, **hágalo girar pasando la marca de 20 minutos para activar el interruptor de tiempo y luego gire de regreso al tiempo deseado;** ahora se podrá graduar para una cocción que requiera sólo unos pocos minutos.

Cuando haya terminado de entibiar, abra completamente la puerta y saque los alimentos con cuidado.

ADVERTENCIA: Los alimentos cocidos pueden estar muy calientes, especialmente los pasteles rellenos. Manéjelos con cuidado.

Cómo usar la función variable de Asar a la Parrilla

Seleccione la posición deseada para la rejilla del horno.
(Consulte la sección “Cómo colocar la rejilla”)

Coloque la rejilla para asar en la bandeja para hornear para convertirla en una bandeja para asar a la parrilla.

Coloque los alimentos en la bandeja para asar.

Coloque la bandeja para asar en la rejilla del horno.

Cierre la puerta hasta la primera muesca, dejando aproximadamente un espacio de 3 pulgadas en la parte superior. Esto garantizará que haya una corriente de aire adecuada durante el asado.

Gire la perilla del contador de tiempo a la graduación de tiempo deseada. El contador de tiempo se puede graduar para hasta 60 minutos. La luz interior se encenderá cuando el contador de tiempo esté activado. Al terminar el tiempo de cocción sonará un timbre y el horno se apagará automáticamente.

Para graduar el contador de tiempo a menos de 20 minutos, **hágalo girar pasando la marca de 20 minutos para activar el interruptor de tiempo y luego gire de regreso al tiempo deseado**; ahora se podrá graduar para una cocción que requiera sólo unos pocos minutos.

Invierta los alimentos después de que haya transcurrido la mitad del tiempo de asado.

Cuando haya terminado de asar a la parrilla, abra la puerta completamente y retire los alimentos con cuidado.

ADVERTENCIA: No descuide el Horno Tostador.

Cómo usar la función de Hornear por Convección

Coloque la rejilla del horno en la posición deseada.

(Consulte la sección “Cómo colocar la rejilla”)

Coloque los alimentos en la rejilla de alambre o en la bandeja para hornear.

Gire la perilla de control de temperatura a la temperatura deseada.

Gire la perilla selectora de función a la graduación de hornear (“BAKE”).

Ambos elementos calentadores (superior e inferior) funcionarán.

Gire la perilla del contador de tiempo a la graduación de tiempo deseada. El contador de tiempo se puede graduar para hasta 60 minutos. La luz interior se encenderá cuando el contador de tiempo esté activado. Al terminar el tiempo de cocción sonará un timbre y el horno se apagará automáticamente. Para graduar el contador de tiempo a menos de 20 minutos, **hágalo girar pasando la marca de 20 minutos para activar el interruptor de tiempo y luego gire de regreso al tiempo deseado**; ahora se podrá graduar para una cocción que requiera sólo unos pocos minutos.

NOTA – Los elementos calentadores superior e inferior se encenderán y se apagarán alternadamente para mantener la temperatura deseada.

Cuando haya terminado de hornear, abra la puerta completamente y saque los alimentos con cuidado.

ADVERTENCIA: Los alimentos cocidos pueden estar muy calientes. Manéjelos con cuidado. No descuide el horno tostador.

Sugerencia para descongelar - No caliente el horno de antemano cuando vaya a descongelar. Gire el Control de Temperatura a 250° F. Caliente entre 15 y 20 minutos por lado para descongelar carnes o pescados. Siempre cocine los alimentos inmediatamente después de haberlos descongelado.

Cómo usar la función de Tostar

Coloque la rejilla del horno en la posición deseada.

(Consulte la sección “Cómo colocar la rejilla”)

NOTA – Diferentes tipos de pan requieren diferentes graduaciones. Los panes más blancos y los waffles requieren una graduación más clara. Los panes más oscuros, los muffins y los muffins ingleses (panecillos) requieren una graduación más oscura.

1. Gire la perilla de control de temperatura a la graduación de tostar (“TOAST”).
2. Gire la perilla selectora de función a la graduación de tostar (“TOAST”).
Ambos elementos calentadores (superior e inferior) funcionarán.
3. Para graduar el contador de tiempo, **hágalo girar pasando la marca de los 20 minutos** para activar el interruptor del contador de tiempo y gire de regreso a la graduación de tostar deseada.

Cuando haya terminado de tostar, abra la puerta completamente y retire los alimentos con cuidado.

NOTA – Los elemento calentador superior e inferior se encenderá y se apagará alternadamente para mantener la temperatura deseada.

ADVERTENCIA: Los alimentos cocidos pueden estar muy calientes. Manéjelos con cuidado. No descuide el horno tostador.

Cómo colocar la rejilla

Para que el horno pueda dar cabida a una gran variedad de alimentos, la rejilla se puede colocar en tres posiciones diferentes. (Consulte la Figura 3).

La posición de la rejilla dependerá del tamaño de los alimentos y del grado de dorado que se desee.

Deje que el horno se enfríe antes de sacar la rejilla.

IMPORTANTE – Para obtener los mejores resultados con tostadas y pizza, coloque la rejilla hacia arriba en la guía de la rejilla del medio.

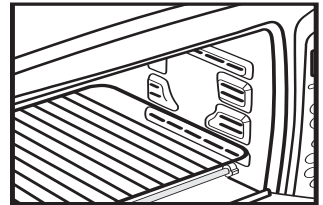


FIGURA 3

Cómo limpiar el horno tostador

Antes de limpiar el horno tostador OSTER®, desenchúfelo y déjelo enfriar. Para limpiarlo, pase un paño húmedo. **¡NO LO SUMERJA EN AGUA!** Asegúrese de usar sólo agua con jabón suave. Los productos de limpieza abrasivos, los cepillos de fregar y los productos de limpieza con sustancias químicas pueden dañar el revestimiento del aparato. Vacíe con frecuencia la bandeja para migas para evitar que se acumulen las migas. Las rejillas del horno tostador se pueden poner en el lavavajillas (*sólo en la parte superior del lavavajillas*).

Cómo guardar el horno tostador

Deje que el aparato se enfríe por completo antes de guardarlo. Si el horno tostador se guarda por un período de tiempo prolongado, es importante verificar que esté limpio y sin partículas de comida. Guarde el horno tostador en un lugar seco, como una mesa o mostrador o en el estante de un armario. Además de la limpieza recomendada, el usuario no necesita realizar ningún otro tipo de mantenimiento.

CONSEJOS ÚTILES / LOCALIZACIÓN DE FALLAS		
PROBLEMA	POSIBLE CAUSA	SOLUCIÓN
<ul style="list-style-type: none"> Alimentos demasiado o no suficientemente cocidos 	<ul style="list-style-type: none"> Graduación incorrecta de temperatura o de tiempo Colocación de la rejilla 	<ul style="list-style-type: none"> Puede que tenga que regular el tiempo y la temperatura al gusto deseado. Debido a que su horno tostador es más pequeño que su horno normal, se calentará más rápidamente y, en general, cocinará en períodos de tiempo más cortos. Consulte la sección “Cómo colocar la rejilla” en la página 6 del texto español. Puede que tenga que regular la rejilla según el tipo de alimento.
<ul style="list-style-type: none"> Olor a quemado 	<ul style="list-style-type: none"> Acumulación de comida dentro del horno, en los elementos calentadores o en la bandeja de migas. 	<ul style="list-style-type: none"> Consulte la sección “Cómo limpiar el horno tostador” en la página 6 del texto español.
<ul style="list-style-type: none"> El horno no se enciende 	<ul style="list-style-type: none"> El aparato está desenchufado El contador de tiempo no se giró pasando la marca de 20 minutos. 	<ul style="list-style-type: none"> Enchufe el horno tostador en un tomacorriente de 120 voltios de CA. Gire la perilla del contador de tiempo y la perilla de temperatura a la graduación deseada. Ambas deben estar en la posición encendida para que funcione el horno tostador.
<ul style="list-style-type: none"> Sólo se calienta un elemento calentador 	<ul style="list-style-type: none"> La selección de graduación de la función determina qué elemento calentador funcionará. 	<ul style="list-style-type: none"> Cuando tueste, verifique que el horno no esté en la graduación de de asar a la parrilla ("broil").
<ul style="list-style-type: none"> Los elementos calentadores no permanecen encendidos 	<ul style="list-style-type: none"> Los elementos calentadores se encenderán y se apagarán alternadamente para mantener el calor adecuado. 	<ul style="list-style-type: none"> Asegúrese de que se haya seleccionado la función deseada.

Garantía limitada de un año

Sunbeam Products, Inc., haciendo negocios bajo el nombre de Jarden Consumer Solutions, o en Canadá, Sunbeam Corporation (Canada) Limited, haciendo negocios bajo el nombre de Jarden Consumer Solutions (colectivamente “Sunbeam”) garantiza este producto contra cualquier defecto de material y mano de obra, por un período de un año a partir de la fecha de compra. Sunbeam, a su elección, reparará o reemplazará este producto o cualquiera de sus componentes que se encuentren defectuosos durante el período de garantía. El reemplazo se realizará por un producto o componente nuevo o refabricado. Si el producto ya no se encuentra disponible, el reemplazo puede hacerse por otro producto similar de valor igual o superior. Ésta es su garantía exclusiva.

Esta garantía es válida para el comprador minorista original, a partir de la fecha de compra inicial y no es transferible. Guarde el recibo de compra original. Se requiere una prueba de compra para obtener el servicio de garantía. Los agentes autorizados y centros de servicio de Sunbeam o las tiendas minoristas que vendan productos Sunbeam no tienen derecho de alterar, modificar ni cambiar de ningún modo los términos y las condiciones de esta garantía.

Esta garantía no cubre el desgaste normal de las piezas o el daño que resulte de cualquiera de los siguientes: uso negligente o mala utilización del producto, uso en voltaje o corriente inadecuados, uso contrario a las instrucciones de operación, desensamblaje, reparación o alteración por alguien que no sea Sunbeam o un centro de servicio autorizado por Sunbeam. Además, la garantía no cubre: actos fortuitos como incendios, inundaciones, huracanes o tornados.

¿Cuáles son los límites de la responsabilidad de Sunbeam?

Sunbeam no será responsable de ningún daño incidental o resultante provocado por el incumplimiento de toda garantía o condición explícita, implícita o reglamentaria.

Excepto hasta el punto prohibido por la ley correspondiente, toda garantía o condición implícita de comerciabilidad o de idoneidad para una finalidad específica está limitada en cuanto a su duración, a la duración de la garantía arriba mencionada.

Sunbeam niega toda otra garantía, condición o afirmación, ya sea explícita, implícita, reglamentaria o de cualquier otro tipo.

Sunbeam no será responsable de daños de ningún tipo que resulten de la compra, del uso o de la mala utilización del producto, o de la incapacidad para usarlo, incluyendo los daños incidentales, especiales, resultantes o similares, o la pérdida de beneficios, o de todo incumplimiento de contrato, fundamental o de otro modo, o de toda reclamación presentada contra el comprador por cualquier otra parte.

Ciertas provincias, estados o jurisdicciones no permiten la exclusión o la restricción de daños incidentales o resultantes, ni las restricciones sobre la duración de una garantía implícita, de manera que las restricciones o exclusiones indicadas arriba pueden no corresponder en su caso.

Esta garantía le otorga derechos legales específicos y es posible que usted también tenga otros derechos que varían de una provincia a otra, de un estado a otro o de una jurisdicción a otra.

Cómo obtener el servicio de garantía

En los EE.UU. –

Por preguntas relacionadas con esta garantía o si desea obtener el servicio de garantía, sírvase llamar al 1.800.334.0759 y se le proporcionará la dirección de un centro de servicio conveniente.

En Canadá –

Por preguntas relacionadas con esta garantía o si desea obtener el servicio de garantía, sírvase llamar al 1.800.667.8623 y se le proporcionará la dirección de un centro de servicio conveniente.

En los EE.UU., esta garantía es ofrecida por Sunbeam Products, Inc. ubicada en Boca Ratón, Florida 33431. En Canadá, esta garantía es ofrecida por Sunbeam Corporation (Canada) Limited, ubicada en 5975 Falbourn Street, Mississauga, Ontario L5R 3V8.

POR FAVOR NO DEVUELVA ESTE PRODUCTO A NINGUNA DE ESTAS DIRECCIONES NI AL LUGAR DE COMPRA

PRÉCAUTIONS IMPORTANTES

LISEZ ET CONSERVEZ CES CONSIGNES

Lorsqu'on utilise un appareil électroménager, certaines consignes de sécurité élémentaires doivent toujours être observées dont :

- **LISEZ TOUTES LES CONSIGNES, AVERTISSEMENTS ET ÉTIQUETTES RELATIFS À CE FOUR GRILLE-PAIN AVANT DE L'UTILISER.**
- Ne touchez pas les surfaces chaudes. Portez toujours des gants de cuisinier pour manipuler les substances et les matériaux chauds et laissez les pièces métalliques refroidir avant de les nettoyer. Laissez complètement refroidir le four avant d'y placer ou d'en retirer des pièces. Pour déplacer le four, utilisez toujours ses poignées.
- Si le four n'est pas utilisé, et avant de le nettoyer, débranchez-le de la prise de courant. Remarque : Assurez-vous que le four ne fonctionne pas avant de le débrancher.
- Pour vous protéger contre les risques de secousses électriques, n'immergez pas ce four dans l'eau ou dans tout autre liquide.
- Surveillez toujours attentivement les enfants si vous utilisez votre four ou tout autre appareil à proximité d'enfants. Ne laissez pas les enfants utiliser ce four.
- N'utilisez votre four ou tout autre appareil si son cordon électrique est effiloché ou son cordon et sa fiche sont endommagés ou si l'appareil fonctionne mal, s'il est tombé ou endommagé. Retournez l'appareil à l'installation de service autorisé la plus proche pour vérification, réparation ou ajustement.
- N'utilisez pas d'accessoires autres que ceux recommandés par le fabricant, cette pratique risquerait de causer un incendie, vous pourriez vous faire électrocuter ou être gravement blessé.
- N'utilisez pas ce four à l'extérieur ni à des fins commerciales.
- N'utilisez pas ce four à d'autres fins que celles pour lesquelles il a été conçu.
- Ne laissez pas le cordon électrique pendre du bord d'une table ou d'un comptoir, ni toucher des surfaces chaudes.
- Ne laissez pas ce four sur ni à proximité d'un brûleur électrique ou à gaz chaud ni dans un four chauffé.
- Soyez extrêmement prudent si vous utilisez des contenants autres que ceux en métal ou en verre.
- Vous risquez de provoquer un incendie si vous recouvrez votre four grille-pain ou s'il vient en contact avec les matériaux inflammables, y compris les rideaux, les tentures, les murs, etc. pendant qu'il fonctionne. Pendant que le four fonctionne, ne posez rien dessus.
- Pendant que vous utilisez votre four grille-pain, ne l'approchez pas à plus de 15 centimètres (6 pouces) des surfaces avoisinantes. Enlevez le cordon électrique des autres appareils pouvant se trouver derrière votre four grille-pain. Pendant que vous n'utilisez pas votre four, n'y ranger pas d'autres accessoires que ceux recommandés par le fabricant.
- Ne mettez pas de matériaux inflammables dans votre four, comme du papier, du carton, du plastique ou autres matériaux semblables qui pourraient prendre feu ou fondre.
- Ne recouvrez pas votre four d'une feuille d'aluminium, sinon il surchauffera.
- Ne mettez pas d'aliments ni d'ustensiles en métal surdimensionnés dans votre four, car ils risquent de présenter un risque d'incendie ou de secousses électriques.
- Ne nettoyez pas votre four avec des tampons à récurer métalliques. Des morceaux peuvent s'en détacher et venir en contact avec les pièces électriques, créant ainsi un risque de secousses électriques.
- Si vous utilisez votre four pour la cuisson au gril, soyez extrêmement prudent lorsque vous sortirez le plat de cuisson contenant de la graisse chaude.
- Pour arrêter votre four, mettez toutes les commandes sur « OFF » (ARRÊT).
- Pour débrancher, mettez toutes les commandes sur "OFF", puis retirez la fiche de la prise de courant murale.

CET APPAREIL NE DOIT ÊTRE UTILISÉ QU'À DES FINS DOMESTIQUES

INSTRUCTIONS CONCERNANT LES CORDONS ÉLECTRIQUES COURTS

Un court cordon électrique est fourni avec votre four afin de réduire les risques de blessures qui pourraient survenir au cas où on viendrait à s'emmêler ou trébucher dans un cordon trop long. En étant extrêmement prudent, vous pouvez utiliser un cordon prolongateur. Toutefois, ce cordon prolongateur devra porter la même classification que celle du cordon électrique de votre four. Utilisez un cordon prolongateur de façon qu'il ne pende pas du comptoir ou de la table afin d'éviter que les enfants tirent dessus ou trébuchent intentionnellement dedans.

PRODUITS ACHETÉS AU CANADA ET AUX ÉTATS-UNIS SEULEMENT

Cet appareil est muni d'une fiche polarisée (*une de ses lames est plus large que l'autre*). Pour réduire les risques de secousses électriques, cette fiche ne peut être branchée que dans un sens dans une prise de courant polarisée. Si la fiche ne rentre pas complètement dans la prise de courant, inversez-la. Si vous ne pouvez toujours pas la faire complètement rentrer dans la prise de courant, consultez un électricien qualifié. *N'essayez jamais* de modifier la fiche du cordon électrique de votre four.

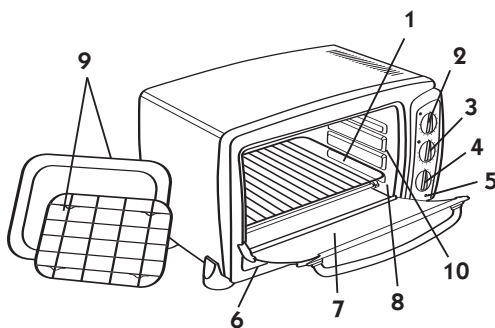
CONSERVEZ CES INSTRUCTIONS

Bienvenue

Nous vous félicitons d'avoir acheté un four grille-pain OSTER®

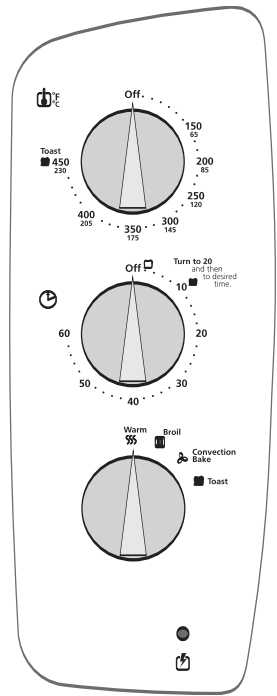
Caractéristiques de ce four grille-pain

1. Une grille amovible
2. Bouton de réglage de la température
3. Bouton de réglage de la minuterie
4. Bouton de sélection des fonctions
5. Voyant d'alimentation
6. Tiroir à miettes externe
7. Porte vitrée
8. Paroi intérieure facile à nettoyer
9. Plat de cuisson et grille pour la cuisson au grill
10. Trois positions pour la grille



Connaître les caractéristiques de votre four grille-pain

- 1. Grille amovible** – Le four dispose d'une grille amovible à trois positions afin d'accommoder une vaste variété d'aliments.
- 2. Bouton de réglage de la température** – Pour ajuster le thermostat à cadran à la température désirée.
- 3. Bouton de réglage de la minuterie** – Pour ajuster le cadran à la durée désirée.
- 4. Bouton de sélection des fonctions** – Pour sélectionner la fonction de cuisson en tournant le bouton au réglage désiré.
- 5. Voyant d'alimentation** – Pour indiquer que le four est branché et que la minuterie est réglée pour commencer à réchauffer.
- 6. Tiroir à miettes externe** – Pour recueillir les miettes ou les morceaux de nourriture. S'enlève pour un nettoyage facile.
- 7. Porte vitrée** – Pour vous permettre de voir la nourriture qui se cuit.
- 8. Paroi intérieure facile à nettoyer** – Pour vous permettre un nettoyage facile.
- 9. Plat de cuisson et grille pour la cuisson au grill** – À utiliser pour tous vos besoins de cuisson et grillade.
- 10. Trois positions pour la grille**



Avant d'utiliser votre four grille-pain pour la première fois

Si vous utilisez votre four grille-pain pour la première fois, n'oubliez pas :

D'enlever tous les autocollants de sa surface.

D'ouvrir sa porte et d'enlever toute la documentation imprimée qui se trouve à l'intérieur.

De nettoyer les grilles et le plat de cuisson à l'eau chaude dans laquelle vous aurez ajouté un peu de détergent à vaisselle. Utilisez une éponge ou un tampon à récurer non abrasif.

N'IMMERGEZ PAS VOTRE FOUR DANS L'EAU

Avant d'utiliser votre four, essayez-le complètement.

Disposez-le sur un comptoir plat, dans un endroit dégagé, près d'une prise de courant.

Branchez-le dans une prise de courant alternatif de 120 volts.

REMARQUE : Il est recommandé de faire fonctionner le four grille-pain pendant 15 minutes à une température de 450° avant de l'utiliser, afin d'éliminer tout résidu de fabrication dû au transport.

Utilisation de votre four grille-pain

Préchauffage du four

Avant de faire chauffer votre four, placez la grille dans la position désirée
(Reportez-vous à la rubrique « Positionnement de la grille »)

Tournez le bouton de réglage de la température à la température désirée

Tournez le bouton de sélection des fonctions au réglage désiré.

Réglez le bouton de la minuterie à la durée désirée et prévoyez 7 à 9 minutes pour le préchauffage du four.

Pour utiliser la fonction Réchauffer

REMARQUE : La fonction Réchauffer est pour chauffer la nourriture et la garder au chaud par après.

Sélectionnez la position de la grille désirée
(Reportez-vous à la rubrique « Positionnement de la grille »)

Disposez les aliments sur la grille ou sur le plat de cuisson.

Tournez le bouton de réglage de la température à la température désirée.

Tournez le bouton de sélection des fonctions à la fonction RÉCHAUFFER (WARM). Seul l'élément chauffant du bas fonctionnera. (Les éléments chauffants alterneront des cycles de MARCHE et d'ARRÊT pour maintenir la température).

Tournez le bouton de la minuterie à la durée désirée. La minuterie peut être réglée à une durée pouvant aller jusqu'à 60 minutes. La lumière intérieure s'allume lorsque la minuterie est en marche.

Dès que le cycle de cuisson est terminé, un signal sonore se fait entendre, et le four s'éteint automatiquement. Pour régler la minuterie à une durée de moins de 20 minutes, **tournez le bouton de la minuterie jusqu'à dépasser la marque de 20 minutes afin d'enclencher la minuterie, puis retournez le bouton à la durée désirée;** la minuterie peut alors être réglée pour une cuisson qui ne nécessite que quelques minutes.

Une fois les aliments réchauffés, ouvrez la porte complètement et retirez-les avec prudence.

AVERTISSEMENT : La nourriture cuite peut être très chaude, notamment les garnitures de pâtisseries. Faites très attention en les manipulant.

Pour utiliser la fonction cuisson au gril variable

Placez la grille dans la position désirée. (Voir la rubrique « Positionnement de la grille »)

Mettez la grille dans le plat pour cuisson au gril pour en faire un gril-lèche-frite.

Disposez les aliments sur le gril-lèche-frite.

Disposez le gril-lèche-frite sur la grille du four.

Fermez la porte jusqu'à la première encoche, laissant approximativement un espace de 3 pouces sur le dessus. Ceci permettra un débit d'air adéquat durant la cuisson au grilloir.

Tournez le bouton de réglage de la température à la température désirée.

Tournez le bouton de sélection des fonctions à la fonction GRILLER (BROIL). Seul l'élément chauffant du haut fonctionnera.

Tournez le bouton de la minuterie à la durée désirée. La minuterie peut être réglée à une durée pouvant aller jusqu'à 60 minutes. La lumière intérieure s'allume lorsque la minuterie est en marche.

Dès que le cycle de cuisson est terminé, un signal sonore se fait entendre, et le four s'éteint automatiquement.

Pour régler la minuterie à une durée de moins de 20 minutes. **Tournez le bouton de la minuterie jusqu'à dépasser la marque de 20 minutes afin d'enclencher la minuterie, puis retournez le bouton à la durée désirée;** la minuterie peut alors être réglée pour une cuisson qui ne nécessite que quelques minutes.

Retournez les aliments lorsqu'ils sont à moitié grillés durant le cycle de cuisson au grilloir.

La cuisson au gril terminée, ouvrez la porte et sortez prudemment les aliments.

AVERTISSEMENT : NE LAISSEZ PAS VOTRE FOUR GRILLE-PAIN SANS SURVEILLANCE.

Pour utiliser la fonction Cuisson par convection

Placez la grille dans la position désirée. (*Voir la rubrique « Positionnement de la grille »*)

Disposez les aliments sur la grille ou sur le plat de cuisson.

Tournez le bouton de réglage de la température à la température désirée.

Tournez le bouton de sélection des fonctions à la fonction CUIRE (BAKE) .

Les deux éléments (du haut et du bas) fonctionneront.

Tournez le bouton de la minuterie à la durée désirée. La minuterie peut être réglée jusqu'à 60 minutes. La lumière intérieure s'allume lorsque la minuterie est en marche. Dès que le cycle de cuisson est terminé, un signal sonore se fait entendre, et le four s'éteint automatiquement. Pour régler la minuterie à une durée de moins de 20 minutes, **tournez le bouton de la minuterie jusqu'à dépasser la marque de 20 minutes afin d'enclencher la minuterie, puis retournez le bouton à la durée désirée;** la minuterie peut alors être réglée pour une cuisson qui ne nécessite que quelques minutes.

REMARQUE – l'élément chauffant du haut et du bas alternera des cycles de MARCHE et d'ARRÊT pour maintenir la température désirée.

La cuisson terminée, ouvrez la porte et sortez prudemment les aliments.

AVERTISSEMENT : Les aliments cuits peuvent être très chauds. Manipulez-les avec prudence. Ne laissez pas votre four grille-pain sans surveillance.

Conseil pour décongélation – Lorsque vous décongelez des aliments, ne préchauffez pas le four. Réglez la température à 250°F. Pour décongeler la viande et le poisson, prévoyez entre 15 et 20 minutes par côté. Une fois les aliments décongelés, cuisez-les immédiatement.

Pour utiliser la fonction Rôties

Placez la grille dans la position désirée (*Voir la rubrique « Positionnement de la grille »*)

REMARQUE – En fonction du pain, les réglages varieront. Pour des rôties et des gaufres de couleur claire, utilisez un réglage plus bas. Pour les pains foncés, les muffins et les muffins anglais, utilisez un réglage plus foncé.

1. Tournez le bouton de réglage de la température à RÔTIES (TOAST).
2. Tournez le bouton de sélection de fonctions pour choisir la fonction RÔTIES (TOAST). Les deux éléments (du haut et du bas) fonctionneront.
3. Pour régler la minuterie, **tournez le bouton de la minuterie jusqu'à dépasser la marque de 20 minutes** afin d'enclencher la minuterie, puis retournez le bouton à la durée désirée.

Lorsque les rôties seront grillées, ouvrez la porte du four et sortez-les prudemment.

REMARQUE – l'élément chauffant du haut alternera des cycles de MARCHE et d'ARRÊT pour maintenir la température désirée.

AVERTISSEMENT : Les aliments cuits peuvent être très chauds. Manipulez-les avec prudence. Ne laissez pas votre four grille-pain sans surveillance.

Positionnement de la grille

Vous pouvez régler la grille du four dans trois positions. (*Voir la Figure 3*)

Sa position dépendra du volume des aliments et du brunissage que vous désirez obtenir.

Avant d'enlever la grille, laissez le four refroidir.

REMARQUE – Pour les rôties et les pizzas, nous vous recommandons de positionner la grille au centre.

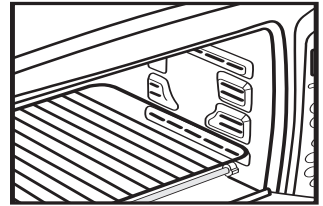


FIGURE 3

Pour nettoyer votre four grille-pain

Avant de nettoyer votre four grille-pain OSTER®, débranchez-le et laissez-le refroidir, puis essuyez-le avec un chiffon humide. **NE L'IMMERGEZ PAS DANS L'EAU!**

Utilisez uniquement de l'eau savonneuse douce. Les nettoyants abrasifs, les brosses à poils durs et les nettoyants chimiques endommageront son revêtement. Videz fréquemment le tiroir à miettes pour empêcher l'accumulation excessive de miettes.

Vous pouvez laver les grilles de votre four en toute sécurité dans un lave-vaisselle (*en haut du lave-vaisselle seulement*).

Pour ranger votre four grille-pain

Avant de le ranger, laissez-le complètement refroidir. Si vous devez le ranger pour longtemps, assurez-vous qu'il est propre et qu'il ne contient aucune particule d'aliments. Entrez-le dans un endroit sec, sur une table, un comptoir ou l'étagère d'une armoire, par exemple. À part ce simple nettoyage, votre four ne nécessite aucun autre entretien.

CONSEILS UTILES/DÉPANNAGE

INCIDENTS	CAUSES PROBABLES	SOLUTIONS
<ul style="list-style-type: none"> • Les aliments sont cuits ou pas assez cuits 	<ul style="list-style-type: none"> • La température ou le temps ne sont pas bien réglés. • La grille n'est pas placée dans la bonne position. 	<ul style="list-style-type: none"> • Vous devrez peut-être régler le temps et la température selon vos désirs. • Étant donné que votre four grille-pain est plus petit qu'un four ordinaire, il chauffera plus vite et les aliments cuiront généralement plus rapidement. • Reportez-vous à la rubrique « Positionnement de la grille », page 6. En fonction des aliments à cuire, vous devrez peut-être modifier la position de la grille.
<ul style="list-style-type: none"> • Odeur de brûlé 	<ul style="list-style-type: none"> • Accumulation d'aliments à l'intérieur du four, sur les éléments chauffants ou dans le tiroir à miettes. 	<ul style="list-style-type: none"> • Reportez-vous à la rubrique « Pour nettoyer votre four grille-pain », page 7.
<ul style="list-style-type: none"> • Le four ne s'ALLUME pas 	<ul style="list-style-type: none"> • Le four n'est pas branché. • Le bouton de minuterie n'avait pas été tourné jusqu'à dépasser la marque de 20 minutes. 	<ul style="list-style-type: none"> • Branchez votre four grille-pain dans une prise de courant alternatif de 120 volts. • Réglez la touche du temps et celle de la température au réglage désiré. Vous devez appuyer sur ces deux touches pour que votre four grille-pain fonctionne.
<ul style="list-style-type: none"> • Un seul élément chauffe 	<ul style="list-style-type: none"> • Le choix des fonctions détermine quel élément chauffant fonctionnera. 	<ul style="list-style-type: none"> • Pour les rôties, assurez-vous que votre four n'est pas réglé sur « Cuisson au gril ».
<ul style="list-style-type: none"> • Les éléments ne restent pas ALLUMÉS 	<ul style="list-style-type: none"> • Les éléments chauffants s'ALLUMERONT et s'ÉTEINDRONT alternativement pour garder la bonne température. 	<ul style="list-style-type: none"> • Assurez-vous que la fonction choisie est celle désirée.

Garantie limitée d'un an

Sunbeam Products, Inc., faisant affaire sous la raison sociale Jarden Consumer Solutions, ou au Canada, Sunbeam Corporation (Canada) Limited, faisant affaire sous la raison sociale Jarden Consumer Solutions (collectivement « Sunbeam ») garantit que pendant une période d'un an à compter de la date d'achat ce produit sera exempt de défauts de matériaux ou de main d'œuvre. Sunbeam, selon son choix, réparera ou remplacera ce produit ou tout composant du produit s'avérant défectueux pendant que la garantie sera en vigueur. Le remplacement sera réalisé au moyen d'un produit ou composant neuf ou reconstruit. Si le produit n'est plus disponible, un produit d'une valeur similaire ou supérieure fera lieu de remplacement. Ceci est votre garantie exclusive.

Cette garantie est accordée à l'acheteur au détail initial et entre en vigueur à compter de la date d'achat au détail initial. Elle n'est pas transférable. Gardez votre preuve d'achat d'origine, car elle sera requise pour obtenir un service au titre de la garantie. Les marchands, les centres de réparation ou les magasins au détail Sunbeam vendant des produits Sunbeam n'ont pas le droit de modifier les modalités et conditions générales de cette garantie.

Cette garantie ne couvre pas l'usure normale des pièces ni les dégâts occasionnés par une des causes suivantes : mauvaise utilisation ou utilisation négligente de ce produit, branchement sur un courant ou une tension autre que ceux spécifiés, utilisation contraire aux instructions de fonctionnement, démontage, réparation ou modification par quiconque autre que Sunbeam ou un Centre de réparation agréé Sunbeam. De plus, la garantie ne couvre pas les cas de forces majeures, tels que les incendies, les inondations, les ouragans et les tornades.

Quelles sont les limites de responsabilité de Sunbeam?

Sunbeam ne sera pas responsable de dégâts secondaires ou conséquents causés par la rupture de toutes garanties ou conditions expresses, tacites ou légales.

Dans la mesure des lois applicables, toute garantie tacite ou condition de commercialité ou d'adaptation à un but particulier est limitée en durée à celle stipulée dans la présente garantie.

Sunbeam rejette toute autre garantie, condition ou représentation express, tacites, légales ou autre.

Sunbeam ne sera pas responsable des dégâts, quels qu'ils soient, résultant de l'achat, de l'utilisation, de l'abus d'utilisation du produit ou de l'incapacité de l'utiliser, y compris les dégâts directs, spéciaux, indirects ou identiques; ni des pertes de revenus, de toute rupture de contrat, fondamentale ou autre, ni de toute plainte déposée contre l'acheteur par une autre partie.

Certains territoires, provinces, états ou juridictions ne permettent pas l'exclusion ou la limitation des dégâts directs ou indirects, ni les limitations de la durée de garantie tacite. Il se peut donc que les limitations et exclusions stipulées dans les présentes ne s'appliquent pas à votre cas.

Cette garantie vous donne des droits juridiques précis et il se peut que vous en ayez d'autres qui peuvent varier d'un territoire, d'une province, d'un état ou d'une juridiction à l'autre.

Pour obtenir un service au titre de la garantie

Aux États-Unis –

Pour toute question concernant cette garantie ou pour obtenir une réparation sous garantie, appelez au 1 800 334-0759. L'adresse du centre de réparation le plus proche de chez vous vous sera fourni.

Au Canada –

Pour toute question concernant cette garantie ou pour obtenir une réparation sous garantie, appelez au 1 800 667-8623. L'adresse du centre de réparation le plus proche de chez vous vous sera fourni.

Aux États-Unis, cette garantie est offerte par Sunbeam Products, Inc., situé à Boca Raton, Florida 33431. Au Canada, elle est offerte par Sunbeam Corporation (Canada) Limited, située au 5975, rue Fallbourne, Mississauga, Ontario L5R 3V8.

**NE RENVOYEZ PAS CE PRODUIT À UNE DE CES
ADRESSES NI OÙ VOUS L'AVEZ ACHETÉ**



For product questions contact:
Sunbeam Consumer Service

USA : 1.800.334.0759
Canada : 1.800.667.8623
www.oster.com

©2006 Sunbeam Products, Inc., doing business as Jarden Consumer Solutions.
All rights reserved.

In the U.S., distributed by Sunbeam Products, Inc.,
doing business as Jarden Consumer Solutions, Boca Raton, FL 33431.
In Canada, imported and distributed by Sunbeam Corporation (Canada), Limited,
doing business as Jarden Consumer Solutions.
SPR-041906

Para preguntas sobre los productos llama:
Sunbeam Consumer Service

EE.UU. : 1.800.334.0759
Canadá : 1.800.667.8623
www.oster.com

©2006 Sunbeam Products, Inc., haciendo negocios bajo el nombre de
Jarden Consumer Solutions. Todos los derechos reservados.

En los EE.UU. distribuido por Sunbeam Products, Inc.,
haciendo negocios bajo el nombre de Jarden Consumer Solutions, Boca Ratón, FL 33431.
En Canadá, importado y distribuido por Sunbeam Corporation (Canada), Limited,
haciendo negocios bajo el nombre de Jarden Consumer Solutions.

Pour toutes questions concernant le produit :
Service à la clientèle Sunbeam

États-unis : 800 334-0759
Canada : 800 667-8623
www.oster.com

©2006 Sunbeam Produits, Inc., faisant affaire sous la raison sociale
Jarden Consumer Solutions. Tous droits réservés.

Aux États-Unis, distribuez par Sunbeam Produits, Inc.,
faisant affaire sous la raison sociale Jarden Consumer Solutions, Boca Raton, FL 33431.
Au Canada, importé et distribué par Sunbeam Corporation (Canada), Limited,
faisant affaire sous la raison sociale Jarden Consumer Solutions

Free Manuals Download Website

<http://myh66.com>

<http://usermanuals.us>

<http://www.somanuals.com>

<http://www.4manuals.cc>

<http://www.manual-lib.com>

<http://www.404manual.com>

<http://www.luxmanual.com>

<http://aubethermostatmanual.com>

Golf course search by state

<http://golfingnear.com>

Email search by domain

<http://emailbydomain.com>

Auto manuals search

<http://auto.somanuals.com>

TV manuals search

<http://tv.somanuals.com>