



User Manual **6-Slice Toaster Oven**

Manual de Instrucciones **Horno Tostador para 6 Rebanadas**

Manuel d'instructions **Four-grille pain à 6 tranches**

MODEL/MODELO
MODÈLE **6058**



Visit us at www.oster.com

P.N. 119311 Rev.C

Download from Www.Somanuals.com. All Manuals Search And Download.

IMPORTANT SAFEGUARDS

SAVE AND READ THESE INSTRUCTIONS

When using electrical appliances, basic safety precautions should always be followed including the following:

- **READ ALL INSTRUCTIONS, PRODUCT LABELS AND WARNINGS BEFORE USING THE TOASTER OVEN.**
- Do not touch hot surfaces. Always use oven mitts when handling hot materials and allow metal parts to cool before cleaning. Allow the unit to cool thoroughly before putting in or taking off parts. Always use the oven handles when moving the unit.
- When the unit is not in use and before cleaning, unplug the toaster oven from the wall outlet. **Note:** Make sure the oven is turned off before unplugging.
- To protect against risk of electrical shock, do not immerse the appliance in water or any other liquids.
- Close supervision is always necessary when this or any appliance is used near children. This appliance is not for use by children.
- Do not operate this or any appliance with a frayed or damaged cord or plug or after the appliance malfunctions or is dropped or has been damaged in any manner. Return appliance to the nearest authorized service facility for examination, repair or adjustment.
- Do not use attachments not recommended by the manufacturer; they may cause fire, electric shock or personal injury.
- Do not use outdoors or for commercial purposes.
- Do not use this appliance for other than its intended use.
- Do not let the cord dangle over the edge of a tabletop or countertop or touch hot surfaces.
- Do not place the appliance near a hot gas or electric burner or in a heated oven.
- Extreme caution should be used when using containers constructed of material other than metal or glass.
- A fire may occur if the toaster oven is covered or touching flammable materials, including curtains, draperies, walls, etc., when in operation. Do not store any items on top of the appliance when in operation.
- When using toaster oven, pull the unit out a minimum of 6 inches away from walls on all sides. Remove cords from other products from behind toaster oven.
- Do not store any materials, other than manufacturer's recommended accessories, in this unit when not in use.
- Do not place any flammable materials in oven, such as paper, cardboard, plastic or any materials that may catch fire or melt.
- Do not cover the oven with metal foil. This will cause overheating of the appliance.
- Oversized foods or metal utensils must not be inserted in the appliance as they may create a fire or risk of electrical shock.
- Do not clean with metal scouring pads. Pieces can break off the pad and touch electrical parts involving a risk of electrical shock.
- When broiling, use extreme caution when removing tray or disposing of hot grease.
- To turn this appliance off, press Stop/Cancel button twice.
- To disconnect, press Stop/Cancel button twice to turn unit off, then remove plug from wall outlet.

THIS UNIT IS FOR HOUSEHOLD USE ONLY SHORT POWER SUPPLY CORD INSTRUCTIONS

A short power-supply cord is provided to reduce the risk resulting from becoming entangled in or tripping over a longer cord. An extension cord may be used if care is exercised in its use. If an extension cord is used, the electrical rating of the cord must be at least as great as the electrical rating of the appliance. The extension cord should be arranged so that it will not drape over the countertop or tabletop where it can be pulled on by children or tripped over unintentionally.

For Products Purchased in the United States and Canada Only

To reduce the risk of electrical shock, this appliance has a polarized plug (*one blade is wider than the other*). This plug fits a polarized outlet only one way; if the plug does not fit fully into the outlet, reverse the plug. If it still does not fit, contact a qualified electrician. **Do not** attempt to modify the plug in any way.

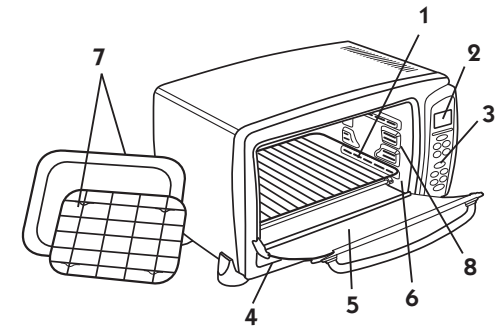
SAVE THESE INSTRUCTIONS

Welcome

Congratulations on your purchase of an OSTER® Toaster Oven!

Features of Your Toaster Oven

1. Removable Wire Rack
2. Time Display
3. Control Buttons
4. External Removable Crumb Tray
5. Glass Door
6. Easy Clean Interior Walls
7. Baking Pan and Broiling Rack
8. Three Rack Positions



Control Buttons

1. Function Buttons –

Oven – Select to Bake, Convection (Fan Bake), Broil.

Toast – Select to toast bread, bagels, etc.

Pizza – Select to bake 9-12" pizza.

Dehydrate – Select to dehydrate foods.

Defrost – Select to defrost foods.

▲▼ – Adjusts time, temperature or toast shade.

Timer/Temp – Use this button to change between time and temperature when Bake, Convection Bake or Broil have been selected.

Clock – Sets the Oven Clock.

Lamp – Turns on Interior Lamp.

Stop/Cancel – Stops heating or cancels function.

Start – Starts baking/cooking process.



Preparing To Use Your Toaster Oven for the First Time

If you are using your toaster oven for the first time, please be sure to:

Remove any stickers from the surface of the oven.

Open oven door and remove all printed documents and paper from inside the toaster oven.

Clean the rack, tray, and pan with hot water, a small amount of dishwashing liquid and a non-abrasive sponge or cleaning pad.

DO NOT IMMERSE THE BODY OF THE UNIT IN WATER.

Dry the unit thoroughly before using.

Select a location for the toaster oven. The location should be in an open area on a flat counter where the plug will reach an outlet.

Plug the toaster oven into a 120 Volt AC electrical outlet.

Using Your Toaster Oven

Setting the Clock

Push the Clock button and hold for three seconds. The clock will flash.

Use the arrow keys to set the hour. Push the Clock button again.

Use the arrow keys to set the minutes.

Push the Clock button once more and the time will be set.

Preheating the Oven

Place oven rack into the desired position before heating the oven.

(See "Positioning Rack" Section)

Push oven button once.

Use arrows to set desired temperature.

Push Timer/Temp button, then the down arrow until seven minutes is displayed.

Push the Start button.

To Use the Bake Function

Place oven rack into the desired position before heating the oven.

(See "Positioning Rack" Section)

Arrange food on the wire rack or in the baking pan.

Push the Oven button once. Use the arrow keys to select desired temperature.

Push Timer/Temp button. Use the arrow keys to select desired time.

Push the Start button.

NOTE – Both heating elements will cycle ON and OFF to maintain the desired temperature.

When baking is completed, open door fully and remove food carefully.

To Use the Convection Fan Bake Function

When you select the Fan Bake the convection fan will turn on and circulate air allowing the food to cook evenly and faster.

Place oven rack into the desired position before heating the oven.

(See "Positioning Rack" Section)

Arrange food on the wire rack or in the baking pan.

Push the Oven button two times until "Fan Bake" lights up on display. Use the arrow keys to select desired temperature.

Push Timer/Temp button. Use the arrow keys to select desired time.

Push the Start button.

NOTE – Both heating elements will cycle ON and OFF to maintain the desired temperature.

When baking is completed, open door fully and remove food carefully.

To Use the Broil Function

Place oven rack into the desired position before heating the oven.

(See "Positioning Rack" Section)

Place broil rack in oven pan to make broiler pan.

Arrange food on broiler pan.

Place broiler pan on oven rack.

Push Oven button three times until the word "Broil" lights up on display.

Push Timer/Temp button. Use arrows to select the desired time.

Push the Start button.

NOTE – The top heating element will cycle ON and OFF to maintain desired temperature.

When broiling is completed, open door fully and remove food carefully.

WARNING: DO NOT LEAVE TOASTER OVEN UNATTENDED.

To Use the Toast Function

Place oven rack into the desired position before heating the oven.

(See "Positioning Rack" Section)

NOTE – Different types of bread require different settings. Lighter breads and waffles require a lighter setting. Darker breads, muffins, and English muffins require a darker setting.

Arrange food on the wire rack.

Push the Toast button. Use arrows to select Toast Shade.

Press the Start button.

When toasting is completed, open door fully and remove food carefully.

To Use the Pizza Function

Place oven rack into the desired position before heating the oven.

(See "Positioning Rack" Section)

Arrange pizza on the wire rack.

Push the Pizza button and 20:00 default time will appear. Use arrow keys to adjust the time as desired. Push the Start button.

NOTE – The Pizza function temperature is set at 400°F and cannot be adjusted.

If different temperature is desired, cancel Pizza function and use Bake function.

Dehydrating Function

Push Dehydrate button. Temperature Control is already set to 185°F.

Use arrow keys to set desired time.

Push the Start button.

Defrosting Function

When defrosting do not preheat oven. Temperature Control is already set to 150°F.

Push the defrost button. Use arrow keys to adjust time. Allow 15 to 20 minutes per side for meats or fish to defrost. Always cook food promptly after thawing.

Push the Start button.

Positioning Rack

To accommodate a wide variety of foods the oven has three rack positions. *(See Figure 3)*

Positioning of the rack will depend on the size of the food and desired browning.

Before removing the rack allow the unit to cool.

PLEASE NOTE – For best toast and pizza results, position the rack in the up position on the middle rack guide.

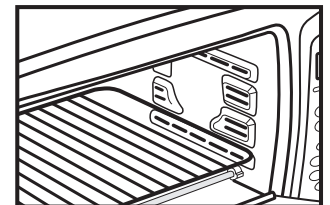


FIGURE 3

Cleaning Your Toaster Oven

Before cleaning your OSTER® Toaster Oven, unplug it and allow it to cool. To clean, wipe with damp cloth. **DO NOT IMMERSE IN WATER!** Make sure to use only mild, soapy water. Abrasive cleaners, scrubbing brushes and chemical cleaners will damage the coating on this unit. Empty crumb tray frequently to avoid accumulation of crumbs. Toaster oven racks are dishwasher safe (*top of dishwasher only*).

Storing Your Toaster Oven

Allow the appliance to cool completely before storing. If storing the toaster oven for long periods of time make certain that the toaster oven is clean and free of food particles. Store the toaster oven in a dry location such as on a table or countertop or cupboard shelf. Other than the recommended cleaning, no further user maintenance should be necessary.

HELPFUL TIPS / TROUBLESHOOTING		
PROBLEM	POTENTIAL CAUSE	SOLUTION
<ul style="list-style-type: none"> Overcooked / Undercooked Foods 	<ul style="list-style-type: none"> Incorrect temperature or time setting Rack placement 	<ul style="list-style-type: none"> You may have to adjust the time and temperature to desired taste. Because your toaster oven is smaller than your regular oven, it will heat up faster and generally cook in shorter periods of time. Refer to “Positioning Rack” Section, Page English-4. Rack may need to be adjusted to accommodate food type.
<ul style="list-style-type: none"> Burnt Smell 	<ul style="list-style-type: none"> Food build-up inside oven, on heating elements or in crumb tray. 	<ul style="list-style-type: none"> Refer to “Cleaning Your Toaster Oven” Section, Page English-5.
<ul style="list-style-type: none"> Oven does not turn ON 	<ul style="list-style-type: none"> Unit is unplugged Did not press Start. 	<ul style="list-style-type: none"> Plug the toaster oven into a 120-volt AC electrical outlet. Set timer knob and temperature knob to desired setting. Both must be turned on to operate the toaster oven. Press Start.
<ul style="list-style-type: none"> Only one heating element is heating up 	<ul style="list-style-type: none"> Function setting selection determines which heating element will operate. 	<ul style="list-style-type: none"> When toasting, make sure the oven is not set to broil setting.
<ul style="list-style-type: none"> Heating elements do not stay ON 	<ul style="list-style-type: none"> Heating elements will cycle ON and OFF to maintain proper heat. 	<ul style="list-style-type: none"> Be certain that function is as desired.
<ul style="list-style-type: none"> Cannot change function button 	<ul style="list-style-type: none"> Need to cancel function. 	<ul style="list-style-type: none"> Press cancel.

One-Year Limited Warranty

Sunbeam Products, Inc., d/b/a Jarden Consumer Solutions, or if in Canada, Sunbeam Corporation (Canada) Limited, d/b/a Jarden Consumer Solutions (collectively “Sunbeam”) warrants that for a period of one year from the date of purchase, this product will be free from defects in material and workmanship. Sunbeam, at its option, will repair or replace this product or any component of the product found to be defective during the warranty period. Replacement will be made with a new or remanufactured product or component. If the product is no longer available, replacement may be made with a similar product of equal or greater value. This is your exclusive warranty.

This warranty is valid for the original retail purchaser from the date of initial retail purchase and is not transferable. Keep the original sales receipt. Proof of purchase is required to obtain warranty performance. Sunbeam dealers, service centers, or retail stores selling Sunbeam products do not have the right to alter, modify or any way change the terms and conditions of this warranty.

This warranty does not cover normal wear of parts or damage resulting from any of the following: negligent use or misuse of the product, use on improper voltage or current, use contrary to the operating instructions, disassembly, repair or alteration by anyone other than Sunbeam or an authorized Sunbeam service center. Further, the warranty does not cover: Acts of God, such as fire, flood, hurricanes and tornadoes.

What Are the Limits on Sunbeam’s Liability?

Sunbeam shall not be liable for any incidental or consequential damages caused by the breach of any express, implied or statutory warranty or condition.

Except to the extent prohibited by applicable law, any implied warranty or condition of merchantability or fitness for a particular purpose is limited in duration to the duration of the above warranty.

Sunbeam disclaims all other warranties, conditions or representations, express, implied, statutory or otherwise.

Sunbeam shall not be liable for any damages of any kind resulting from the purchase, use or misuse of, or inability to use the product including incidental, special, consequential or similar damages or loss of profits, or for any breach of contract, fundamental or otherwise, or for any claim brought against purchaser by any other party.

Some provinces, states or jurisdictions do not allow the exclusion or limitation of incidental or consequential damages or limitations on how long an implied warranty lasts, so the above limitations or exclusion may not apply to you.

This warranty gives you specific legal rights, and you may also have other rights that vary from province to province, state to state or jurisdiction to jurisdiction.

How To Obtain Warranty Service

In the U.S.A. –

If you have any question regarding this warranty or would like to obtain warranty service, please call 1.800.334.0759 and a convenient service center address will be provided to you.

In Canada –

If you have any question regarding this warranty or would like to obtain warranty service, please call 1.800.667.8623 and a convenient service center address will be provided to you.

In the U.S.A., this warranty is offered by Sunbeam Products, Inc., located in Boca Raton, Florida 33431. In Canada, this warranty is offered by Sunbeam Corporation (Canada) Limited, located at 5975 Falbourne Street, Mississauga, Ontario L5R 3V8.

PLEASE DO NOT RETURN THIS PRODUCT TO ANY OF THESE ADDRESSES OR TO THE PLACE OF PURCHASE.

PRECAUCIONES IMPORTANTES

LEA Y GUARDE ESTAS INSTRUCCIONES

Al usar aparatos eléctricos, deben seguirse siempre precauciones básicas de seguridad entre las que se incluyen las siguientes:

- LEA TODAS LAS INSTRUCCIONES, ETIQUETAS DEL PRODUCTO Y ADVERTENCIAS ANTES DE USAR EL HORNO TOSTADOR.
- No toque las superficies calientes. Utilice siempre guantes de horno al manejar material caliente y deje que las partes de metal se enfríen antes de limpiarlas. Deje enfriar bien el aparato antes de poner o quitar piezas. Utilice siempre las asas del horno cuando lo mueva.
- Cuando no se esté usando el horno tostador y antes de limpiarlo, desenchúfelo del tomacorriente de la pared. NOTA: Asegúrese de que el horno esté apagado antes de desenchufarlo.
- Para proteger contra el riesgo de descarga eléctrica, no sumerja el aparato en agua ni en ningún otro líquido.
- Siempre es necesaria la supervisión directa cuando éste o cualquier aparato se use cerca de niños. Este aparato no debe ser usado por niños.
- No use éste ni ningún otro aparato con un cordón o enchufe desgastado o dañado o después de que el aparato no funcione bien, se caiga o se haya dañado de cualquier forma. Devuelva el aparato al centro de servicio autorizado más cercano para su examen, reparación o ajuste.
- No utilice accesorios no recomendados por el fabricante; pueden causar incendio, descarga eléctrica o lesión personal.
- No lo use al aire libre o para fines comerciales.
- No use este aparato para otro uso que no sea el previsto.
- No permita que el cordón cuelgue del borde de una mesa o de un mostrador ni que toque superficies calientes.
- No coloque el aparato cerca de un quemador eléctrico o de gas caliente ni en un horno caliente.
- Debe emplearse extrema precaución al usar recipientes hechos de algún material que no sea metal o vidrio.
- Puede producirse un incendio si el horno tostador está cubierto o está tocando materiales inflamables, incluidas las cortinas, colgaduras, paredes, etc. cuando esté en funcionamiento. No guarde ningún artículo encima del aparato cuando esté en funcionamiento.
- Al usar el horno tostador, aléjelo de la pared un mínimo de 6 pulgadas en todos los lados. Quite los cordones de otros productos de detrás del horno tostador.
- No guarde en este aparato ningún material, aparte de los accesorios recomendados por el fabricante, cuando no esté usándose.
- No coloque ningún material inflamable en el horno, como papel, cartón, plástico o cualquier material que pueda prender fuego o derretirse.
- No cubra el horno con papel de aluminio. Esto ocasionará un recalentamiento del aparato.
- Los alimentos o utensilios de metal demasiado grandes no deben introducirse en el aparato, ya que pueden ocasionar un incendio o el riesgo de descarga eléctrica.
- No limpie con estropajos de metal. Pueden romperse trozos del estropajo y tocar piezas eléctricas que provoquen el riesgo de descarga eléctrica.

- Al asar a la parrilla, tenga sumo cuidado al quitar la bandeja o deshacerse de la grasa caliente.
- Para apagar este aparato, oprima el botón Stop/Cancel (Parar/Anular) dos veces.
- Para desconectar, oprima el botón Stop/Cancel (Parar/Anular) dos veces para apagar el aparato, y luego saque el enchufe del tomacorriente.

ESTE APARATO ES SÓLO PARA USO DOMÉSTICO

INSTRUCCIONES DEL CORDÓN CORTO DE ALIMENTACIÓN

Se proporciona un cordón corto de alimentación eléctrica para reducir el riesgo ocasionado al engancharse o tropezar con un cordón más largo. Puede usarse una extensión si se tiene cuidado. Si se usa una extensión, la clasificación eléctrica del cordón debe ser como mínimo de la misma clasificación eléctrica del aparato. La extensión debe colocarse de forma que no cuelgue del mostrador o de la mesa donde los niños puedan tirar de él o tropezarse involuntariamente.

PARA PRODUCTOS COMPRADOS SÓLO EN LOS ESTADOS UNIDOS Y CANADÁ

Para reducir el riesgo de descarga eléctrica, este aparato tiene un enchufe polarizado (una puntilla de contacto es más ancha que la otra). Este enchufe cabe en un tomacorriente polarizado sólo de una forma, si el enchufe no cabe perfectamente bien en el tomacorriente, dé la vuelta al enchufe. Si sigue sin caber, comuníquese con un electricista capacitado. No intente cambiar el enchufe de ninguna forma.

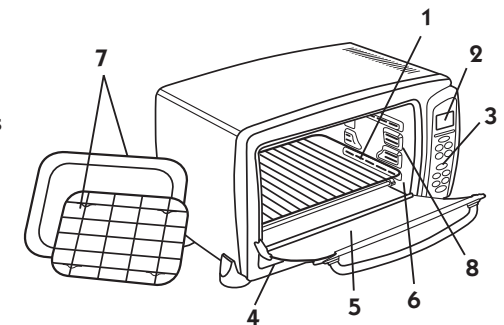
GUARDE ESTAS INSTRUCCIONES

Bienvenido

¡Felicitaciones por su compra de un Horno Tostador OSTER®!

Características de su horno tostador

1. Rejilla de alambre desmontable
2. Visualizador de tiempo
3. Botones de control
4. Bandeja externa desmontable para migas
5. Puerta de vidrio
6. Paredes interiores fáciles de limpiar
7. Bandeja para hornear y rejilla para asar a la parrilla
8. Tres posiciones para la rejilla



Botones de control

1. Botones de funciones –

Oven (Horno) – Seleccionar para Bake (Hornear), Convection (Convección), Fan Bake (Hornear con ventilador), Broil (Asar a la parrilla).

Toast (Tostar) – Seleccionar para tostar pan, bagels, etc.

Pizza – Seleccionar para hornear una pizza de 9 a 12 pulgadas.

Dehydrate (Deshidratar) – Seleccionar para deshidratar alimentos.

Defrost (Descongelar) – Seleccionar para descongelar alimentos.

▲▼ – Ajusta el tiempo, la temperatura o el tono de tostado.

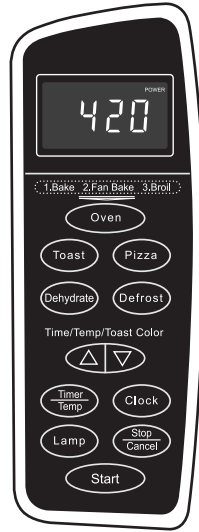
Timer/Temp (Contador de tiempo/Temperatura) – Usar este botón para cambiar entre tiempo y temperatura cuando se haya seleccionado Bake (Hornear), Convection Bake (Hornear por convección) o Broil (Asar a la parrilla).

Clock (Reloj) – Se usa para graduar el reloj del horno.

Lamp (Bombilla) – Enciende la bombilla interior.

Stop/Cancel (Parar/Anular) – Interrumpe el calor o anula la función.

Start (Empezar) – Empieza el proceso de hornear/cocinar.



Cómo usar su horno tostador

Poner el reloj

Oprima el botón del reloj y manténgalo apretado tres segundos. El reloj se pondrá intermitente.

Use los botones de las flechas para graduar la hora. Oprima de nuevo el botón del reloj.

Use los botones de las flechas para graduar los minutos.

Oprima una vez más el botón del reloj y la hora quedará fijada.

Precalentar el horno

Coloque la rejilla en la posición deseada antes de calentar el horno. (Consulte la sección “Cómo colocar la rejilla”)

Apriete el botón del horno una vez.

Utilice las flechas para fijar la temperatura deseada.

Apriete el botón Timer/Temp (Contador de tiempo/Temperatura), luego la flecha hacia abajo hasta que aparezca en la pantalla siete minutos.

Apriete el botón Start (Empezar).

Cómo usar la función Bake (Hornear)

Coloque la rejilla en la posición deseada antes de calentar el horno. (Consulte la sección “Cómo colocar la rejilla”)

Coloque los alimentos en la rejilla o en la bandeja para hornear.

Apriete el botón Oven (Horno) una vez. Use los botones de las flechas para seleccionar la temperatura deseada.

Apriete el botón Timer/Temp (Contador de tiempo/Temperatura). Use los botones de las flechas para seleccionar el tiempo deseado.

Apriete el botón Start (Empezar).

NOTA – Ambos elementos calefactores se encenderán y se apagarán para mantener la temperatura deseada.

Cuando haya terminado de hornear, abra la puerta totalmente y saque los alimentos con cuidado.

Cómo usar la función Convection Fan Bake (Hornear por convección con ventilador)

Cuando seleccione “Fan Bake” (Hornear con ventilador) se encenderá el ventilador de convección y hará circular el aire permitiendo que los alimentos se cocinen uniformemente y más rápido.

Coloque la rejilla en la posición deseada antes de calentar el horno. (Consulte la sección “Cómo colocar la rejilla”)

Coloque los alimentos en la rejilla o en la bandeja para hornear.

Cómo prepararse para usar su horno tostador por primera vez

Cuando utilice su horno tostador por primera vez, asegúrese de hacer lo siguiente:

Quitar todos los adhesivos de la superficie del horno.

Abrir la puerta del horno y sacar todos los documentos impresos y papel que están dentro del horno tostador.

Limpiar la rejilla, la bandeja y el recipiente para hornear con agua caliente, una pequeña cantidad de líquido lavaplatos y una esponja o estropajo no abrasivos.

NO SUMERJA EL HORNO EN AGUA Seque el aparato bien antes de usarlo.

Elija un lugar para colocar el horno tostador. El lugar debe ser en un área abierta en un mostrador plano donde el enchufe pueda llegar al tomacorriente.

Enchufe el horno tostador en un tomacorriente eléctrico de 120 voltios CA.

Apriete el botón Oven (Horno) dos veces hasta que “Fan Bake” (Hornear con ventilador) se ilumine en la pantalla. Use los botones de las flechas para seleccionar la temperatura deseada.

Apriete el botón Timer/Temp (Contador de tiempo/Temperatura). Use los botones de las flechas para seleccionar el tiempo deseado.

Apriete el botón Start (Empezar).

NOTA – Ambos elementos calefactores se encenderán y se apagarán para mantener la temperatura deseada.

Cuando haya terminado de hornear, abra la puerta totalmente y saque los alimentos con cuidado.

Cómo usar la función Broil (Asar a la parrilla)

Coloque la rejilla en la posición deseada antes de calentar el horno. (*Consulte la sección “Cómo colocar la rejilla”*)

Ponga la rejilla para asar en la bandeja para hornear del horno para convertirla en un recipiente para asar a la parrilla.

Ponga los alimentos en el recipiente para asar a la parrilla.

Coloque el recipiente para asar a la parrilla en la rejilla del horno.

Apriete el botón Oven (Horno) tres veces hasta que la palabra “Broil” (Asar a la parrilla) se ilumine en la pantalla.

Apriete el botón Timer/Temp (Contador de tiempo/Temperatura). Use las flechas para seleccionar el tiempo deseado.

Apriete el botón Start (Empezar).

NOTA – El elemento calefactor superior se encenderá y se apagará para mantener la temperatura deseada. Cuando haya terminado de asar, abra la puerta totalmente y saque los alimentos con cuidado.

ADVERTENCIA: NO DESCUIDE EL HORNO TOSTADOR.

Cómo usar la función Toast (Tostar)

Coloque la rejilla en la posición deseada antes de calentar el horno. (*Consulte la sección “Cómo colocar la rejilla”*)

NOTA – Se necesitan distintas graduaciones para diferentes tipos de pan. Los panes más blancos y los waffles requieren una graduación más baja. Los panes más oscuros, los muffins y los panecillos, requieren una graduación más alta.

Ponga los alimentos en la rejilla.

Apriete el botón Toast (Tostar). Use las flechas para seleccionar el grado de tostado.

Apriete el botón Start (Empezar).

Cuando haya terminado de tostar, abra la puerta totalmente y saque los alimentos con cuidado.

Cómo usar la función Pizza

Coloque la rejilla en la posición deseada antes de calentar el horno. (*Consulte la sección “Cómo colocar la rejilla”*)

Ponga la pizza en la rejilla.

Apriete el botón Pizza y aparecerá el tiempo predeterminado de 20:00. Use las flechas para ajustar el tiempo deseado. Apriete el botón Start (Empezar).

NOTA – La temperatura de la función Pizza está fijada en 400°F y no puede ajustarse.

Si se desea otra temperatura, anule la función Pizza y use la función Bake (Hornear).

Función Dehydrate (Deshidratar)

Apriete el botón Dehydrate (Deshidratar). El control de temperatura está fijado ya en 185°F.

Use los botones de las flechas para seleccionar el tiempo deseado.

Apriete el botón Start (Empezar).

Función Defrost (Descongelar)

Cuando descongele no precaliente el horno. El control de temperatura está fijado ya en 150°F.

Apriete el botón Defrost (Descongelar). Use los botones de las flechas para ajustar el tiempo. Para descongelar carnes o pescado se necesitan entre 15 y 20 minutos por cada lado. Cocine rápidamente los alimentos después de descongelarlos.

Apriete el botón Start (Empezar).

Cómo colocar la rejilla

Para que el horno tenga cabida para una gran variedad de alimentos la rejilla puede colocarse en tres posiciones. (*Véase la Figura 3*)

La colocación de la rejilla dependerá del tamaño de los alimentos y del grado de dorado que se desee.

Deje que el horno se enfríe antes de sacar la rejilla.

NOTA – Para obtener los mejores resultados con tostadas y pizza, coloque la rejilla en la posición hacia arriba, en la guía de rejilla del centro.

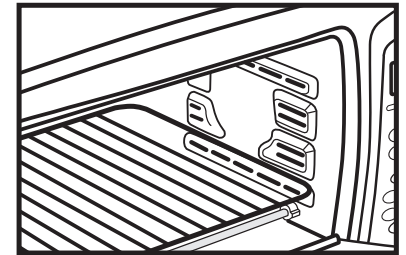


FIGURA 3

Cómo limpiar su horno tostador

Antes de limpiar su horno tostador OSTER®, desenchúfelo y déjelo enfriar. Para limpiarlo, pase un paño húmedo. **¡NO LO SUMERJA EN AGUA!** Asegúrese de usar sólo agua con jabón suave. Los productos de limpieza abrasivos, los cepillos de fregar y los productos de limpieza con sustancias químicas pueden dañar el revestimiento del aparato. Vacíe con frecuencia la bandeja para migas para evitar que se acumulen las migas. Las rejillas del horno tostador pueden ponerse en el lavaplatos (*sólo en la parte de arriba del lavaplatos*).

Cómo guardar su horno tostador

Deje que el aparato se enfríe por completo antes de guardarlo. Si guarda el horno tostador durante largos períodos de tiempo, asegúrese de que esté limpio y sin partículas de comida. Guarde el horno tostador en un lugar seco, como una mesa o mostrador o en el estante de un armario. Además de la limpieza recomendada, no es necesario ningún otro mantenimiento por parte del usuario.

CONSEJOS ÚTILES / DETECCIÓN Y RESOLUCIÓN DE PROBLEMAS		
PROBLEMA	POSIBLE CAUSA	SOLUCIÓN
<ul style="list-style-type: none"> Alimentos cocinados demasiado o no lo suficiente 	<ul style="list-style-type: none"> Posición incorrecta de la temperatura o del tiempo Colocación de la rejilla 	<ul style="list-style-type: none"> Puede que tenga que ajustar el tiempo y la temperatura para conseguir el gusto deseado. Debido a que su horno tostador es más pequeño que su horno normal, se calentará más rápidamente y en general cocinará en períodos de tiempo más cortos. Consulte la sección “Cómo colocar la rejilla” en la página 6 del texto español. Puede que tenga que ajustarse la rejilla dependiendo del tipo de alimento.
<ul style="list-style-type: none"> Olor a quemado 	<ul style="list-style-type: none"> Acumulación de comida dentro del horno, en los elementos calefactores o en la bandeja de migas. 	<ul style="list-style-type: none"> Consulte la sección “Cómo limpiar su horno tostador” en la página 6 del texto español.
<ul style="list-style-type: none"> El horno no se enciende 	<ul style="list-style-type: none"> El aparato está desenchufado No apretó el botón Start(Empezar). 	<ul style="list-style-type: none"> Enchufe el horno tostador en un tomacorriente eléctrico de 120 voltios CA. Ponga el botón del contador de tiempo y el de la temperatura en la posición deseada. Ambos deben estar encendidos para que funcione el horno tostador. Apriete el botón Start (Empezar).
<ul style="list-style-type: none"> Sólo se calienta un elemento calefactor 	<ul style="list-style-type: none"> La selección de la función determina qué elemento calefactor estará en funcionamiento. 	<ul style="list-style-type: none"> Cuando tueste, compruebe que el horno no esté en posición Broil (Asar a la parrilla).
<ul style="list-style-type: none"> Los elementos calefactores no permanecen encendidos 	<ul style="list-style-type: none"> Los elementos calefactores se encenderán y apagarán para mantener el calor adecuado. 	<ul style="list-style-type: none"> Asegúrese de tener puesta la función deseada.
<ul style="list-style-type: none"> No se puede cambiar el botón de función 	<ul style="list-style-type: none"> Es necesario cancelar la función. 	<ul style="list-style-type: none"> Apriete el botón Cancel (Anular).

Garantía limitada de un año

Sunbeam Products, Inc., que opera bajo el nombre de Jarden Consumer Solutions, o en Canadá, Sunbeam Corporation (Canada) Limited, que opera bajo el nombre de Jarden Consumer Solutions (colectivamente “Sunbeam”) garantiza este producto contra cualquier defecto de material y fabricación por un período de un año a partir de la fecha de compra. Sunbeam reparará o reemplazará, a elección de Sunbeam, este producto o cualquiera de sus componentes defectuosos durante el período de garantía. El reemplazo se realizará con un producto o componente nuevo o refabricado. Si el producto ya no puede conseguirse, el reemplazo puede hacerse con otro producto similar de valor igual o superior. Ésta es su única garantía.

Esta garantía es válida para el comprador minorista original a partir de la fecha de compra inicial y no es transferible. Guarde el recibo de compra original. Se requiere una prueba de compra para obtener el servicio de garantía. Los agentes autorizados y centros de servicio de Sunbeam o las tiendas minoristas que vendan productos Sunbeam no tienen derecho a alterar, modificar o cambiar de ningún modo los términos y condiciones de esta garantía.

Esta garantía no cubre el desgaste normal de las piezas o el daño que resulte de cualquiera de los siguientes usos: uso negligente o mala utilización del producto, uso en voltaje o corriente inadecuados, uso contrario a las instrucciones de funcionamiento, desarmado, reparación o alteración por cualquiera que no sea Sunbeam o un centro de servicio autorizado por Sunbeam. Además, la garantía no cubre: actos fortuitos como incendios, inundaciones, huracanes o tornados.

¿Cuáles son los límites de la responsabilidad de Sunbeam?

Sunbeam no será responsable de cualquier daño incidental o resultante causado por el incumplimiento de toda garantía o condición expresa, implícita o reglamentaria.

Excepto hasta donde lo prohíba la ley correspondiente, toda garantía o condición implícita de comerciabilidad o idoneidad para un propósito en particular está limitada a la duración de la garantía mencionada anteriormente.

Sunbeam niega todas las demás garantías, condiciones o certificaciones expresas, implícitas, reglamentarias o de otro tipo.

Sunbeam no será responsable de daños de ningún tipo que resulten de la compra, uso o mala utilización del producto o de la incapacidad para usarlo, incluidos los daños incidentales, especiales, resultantes o similares o la pérdida de beneficios, o de todo incumplimiento de un contrato esencial o no, o de toda reclamación presentada contra el comprador por cualquier otra parte.

Ciertas provincias, estados o jurisdicciones no permiten la exclusión o restricción de daños incidentales o resultantes, o restricciones sobre la duración de una garantía implícita, de manera que las restricciones o exclusiones indicadas arriba pueden no corresponder en su caso.

Esta garantía le otorga derechos legales específicos y puede que usted también tenga otros derechos que varían de una provincia a otra, de un estado a otro o de una jurisdicción a otra.

Cómo obtener el servicio de garantía

En los EE.UU.–

Si tiene preguntas relacionadas con esta garantía o desea obtener el servicio de garantía, sírvase llamar al 1.800.334.0759 y se le proporcionará la dirección de un centro de servicio de su conveniencia.

En Canadá –

Si tiene preguntas relacionadas con esta garantía o desea obtener el servicio de garantía, sírvase llamar al 1.800.667.8623 y se le proporcionará la dirección de un centro de servicio de su conveniencia.

En los EE.UU. esta garantía es ofrecida por Sunbeam Products, Inc., ubicada en Boca Ratón, Florida 33431. En Canadá, esta garantía es ofrecida por Sunbeam Corporation (Canada) Limited, ubicada en 5975 Falbourn Street, Mississauga, Ontario L5R 3V8.

POR FAVOR NO DEVUELVA ESTE PRODUCTO A NINGUNA DE ESTAS DIRECCIONES NI AL LUGAR DE COMPRA.

PRÉCAUTIONS IMPORTANTES

LISEZ ET CONSERVEZ CES CONSIGNES

Lorsqu'on utilise un appareil électroménager, certaines consignes de sécurité élémentaires doivent être observées dont :

- **LISEZ TOUTES LES CONSIGNES, AVERTISSEMENTS ET ÉTIQUETTES RELATIFS À CE FOUR GRILLE-PAIN AVANT DE L'UTILISER.**
- Ne touchez pas les surfaces chaudes. Portez toujours des gants de cuisinier pour manipuler les substances et les matériaux chauds et laissez les pièces métalliques refroidir avant de les nettoyer. Laissez complètement refroidir le four avant d'y placer ou d'en retirer des pièces. Pour déplacer le four, utilisez toujours ses poignées.
- Si le four n'est pas utilisé, et avant de le nettoyer, débranchez-le de la prise de courant.
Remarque : Assurez-vous que le four ne fonctionne pas avant de le débrancher.
- Pour vous protéger contre les risques de secousses électriques, n'immergez pas ce four dans l'eau ou dans tout autre liquide.
- Surveillez toujours attentivement les enfants si vous utilisez votre four ou tout autre appareil à proximité d'enfants. Ne laissez pas les enfants utiliser ce four.
- N'utilisez pas votre four ou tout autre appareil si son cordon électrique est effiloché ou son cordon et sa fiche sont endommagés ou si l'appareil fonctionne mal, s'il est tombé ou endommagé. Retournez l'appareil à l'installation de service autorisée la plus proche pour vérification, réparation ou ajustement.
- N'utilisez pas d'accessoires autres que ceux recommandés par le fabricant, cette pratique risquerait de causer un incendie, vous pourriez vous faire électrocuter ou être gravement blessé.
- N'utilisez pas ce four à l'extérieur ni à des fins commerciales.
- N'utilisez pas ce four à d'autres fins que celles pour lesquelles il a été conçu.
- Ne laissez pas le cordon électrique pendre du bord d'une table ou d'un comptoir, ni toucher des surfaces chaudes.
- Ne laissez pas ce four sur ni à proximité d'un brûleur électrique ou à gaz chaud ni dans un four chauffé.
- Soyez extrêmement prudent si vous utilisez des contenants autres que ceux en métal ou en verre.
- Vous risquez de provoquer un incendie si vous recouvrez votre four grille-pain ou s'il vient en contact avec les matériaux inflammables, y compris les rideaux, les tentures, les murs, etc. pendant qu'il fonctionne. Pendant que le four fonctionne, ne posez rien dessus.
- Pendant que vous utilisez votre four grille-pain, ne l'approchez pas à plus de 15 centimètres (6 pouces) des surfaces avoisinantes. Enlevez le cordon électrique des autres appareils pouvant se trouver derrière votre four grille-pain. Pendant que vous n'utilisez pas votre four, n'y ranger pas d'autres accessoires que ceux recommandés par le fabricant.
- Ne mettez pas de matériaux inflammables dans votre four, comme du papier, du carton, du plastique ou autres matériaux semblables qui pourraient prendre feu ou fondre.
- Ne recouvrez pas votre four d'une feuille d'aluminium, sinon il surchauffera.
- Ne mettez pas d'aliments ni d'ustensiles en métal surdimensionnés dans votre four, car ils risquent de présenter un risque d'incendie ou de secousses électriques.
- Ne nettoyez pas votre four avec des tampons à récurer métalliques. Des morceaux peuvent s'en détacher et venir en contact avec les pièces électriques, créant ainsi un risque de secousses électriques.

- Si vous utilisez votre four pour la cuisson au grill, soyez extrêmement prudent lorsque vous sortirez le plat de cuisson contenant de la graisse chaude.
- Pour arrêter votre four, appuyez à deux reprises sur la touche Stop/Cancel.
- Pour débrancher, mettez toutes les commandes sur « OFF », puis retirez la fiche de la prise de courant murale.

Cet appareil ne doit être utilisé qu'à des fins domestiques

Instructions concernant les cordons électriques courts

Le cordon électrique de votre four est court afin de réduire les risques de blessures qui pourraient survenir au cas où on viendrait à s'emmêler ou trébucher dans un cordon trop long. En étant extrêmement prudent, vous pouvez utiliser un cordon prolongateur. Toutefois, ce cordon prolongateur devra porter la même classification que celle du cordon électrique de votre four. Utilisez un cordon prolongateur de façon qu'il ne pende pas du comptoir ou de la table afin d'éviter que les enfants tirent dessus ou trébuchent intentionnellement dedans.

POUR LES PRODUITS ACHETÉS AU ÉTATS-UNIS ET AU CANADA SEULEMENT

Cet appareil est muni d'une fiche polarisée (*une de ses lames est plus large que l'autre*). Pour réduire les risques de secousses électriques, cette fiche ne peut être branchée que dans un sens dans une prise de courant polarisée. Si la fiche ne rentre pas complètement dans la prise de courant, inversez-la. Si vous ne pouvez toujours pas la faire complètement rentrer dans la prise de courant, consultez un électricien qualifié. **N'essayez jamais** de modifier la fiche du cordon électrique de votre four.

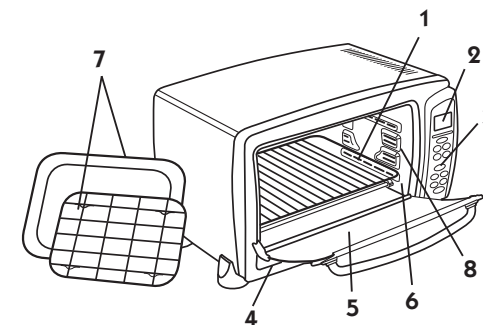
CONSERVEZ CES INSTRUCTIONS

Bienvenue

Nous vous félicitons d'avoir acheté un four grille-pain OSTER®

Caractéristiques de ce four

1. Grille amovible
2. Affichage de l'heure
3. Touches de commande
4. Tiroir à miettes externe amovible
5. Porte vitrée
6. Paroi intérieure facile à nettoyer
7. Plat de cuisson et grille pour la cuisson au grill
8. Trois positions pour la grille



Touches de commande

1. Touches des fonctions

Oven – Pour cuire au four par convection, faire griller.

Toast – Pour griller du pain, des baguets, etc.

Pizza – Pour cuire des pizzas de 9 à 12 pouces.

Dehydrate – Pour déshydrater les aliments.

Defrost – Pour décongeler les aliments.

Δ V – Pour régler l'heure, le temps, la température et la couleur des rôties.

Timer/Temp – Pour modifier le temps et la température de cuisson au four normal, par convection ou pour griller.

Clock – Pour régler l'heure.

Lamp – Pour allumer la lampe intérieure.

Stop/Cancel – Pour arrêter le chauffage ou annuler les fonctions.

Start – Pour commencer la cuisson.



Avant d'utiliser votre four grille-pain pour la première fois

Si vous utilisez votre four grille-pain pour la première fois, n'oubliez pas :

D'enlever tous les autocollants de sa surface.

D'ouvrir sa porte et d'enlever toute la documentation imprimée qui se trouve à l'intérieur.

De nettoyer les grilles et le plat de cuisson à l'eau chaude dans laquelle vous aurez ajouté un peu de détergent à vaisselle. Utilisez une éponge ou un tampon à récurer non abrasif.

N'IMMERGEZ PAS VOTRE FOUR DANS L'EAU.

Avant d'utiliser votre four, essuyez-le complètement.

Disposez-le sur un comptoir plat, dans un endroit dégagé, près d'une prise de courant.

Branchez-le dans une prise de courant alternatif de 120 volts.

Utilisation de votre four grille-pain

Pour régler l'heure

Appuyez sur la touche de l'horloge et maintenez-la appuyée pendant 3 secondes. L'horloge clignotera.

Utilisez les flèches pour régler l'heure. Appuyez de nouveau sur la touche horloge.

Utilisez les flèches pour régler les minutes.

Appuyez une fois de plus sur la touche de l'horloge. L'heure est réglée.

Préchauffage du four

Avant de faire chauffer votre four, réglez la grille dans la position désirée. (*Reportez-vous à la rubrique « Positionnement de la grille »*)

Appuyez une fois sur la touche « Oven ».

Utilisez les flèches pour régler la température désirée.

Appuyez sur la touche « Timer/Temp », puis sur la touche vers le bas jusqu'à ce que sept minutes soient affichées.

Appuyez sur la touche « Start ».

Pour utiliser la fonction cuisson au four ordinaire

Avant de faire chauffer votre four, réglez la grille dans la position désirée. (*Reportez-vous à la rubrique « Positionnement de la grille »*)

Disposez les aliments sur la grille ou le plat de cuisson.

Appuyez une fois sur la touche « Oven ». Utilisez les flèches pour choisir la température désirée.

Appuyez sur la touche « Timer/Temp ». Utilisez les flèches pour choisir le temps désiré.

Appuyez sur la touche « Start ».

REMARQUE – Les deux éléments s'ALLUMERONT et s'ÉTEINDRONT alternativement pour garder la température désirée. La cuisson terminée, ouvrez la porte et sortez prudemment les aliments.

Pour utiliser la fonction cuisson par convection

Si vous utilisez la fonction cuisson par convection, le ventilateur fonctionnera, l'air circulera et les aliments seront cuits plus uniformément et plus rapidement.

Avant de faire chauffer votre four, réglez la grille dans la position désirée. (*Reportez-vous à la rubrique « Positionnement de la grille »*)

Disposez les aliments sur la grille ou le plat de cuisson.

Appuyez deux fois sur la touche « Oven » jusqu'à ce que la mention « Fan Bake » soit affichée. Utilisez les flèches pour choisir la température désirée.

Appuyez sur la touche « Timer/Temp ». Utilisez les flèches pour choisir le temps désiré.

Appuyez sur la touche « Start ».

REMARQUE – Les deux éléments s'ALLUMERONT et s'ÉTEINDRONT alternativement pour garder la température désirée. La cuisson terminée, ouvrez la porte et sortez prudemment les aliments.

Pour utiliser la fonction cuisson au grill

Avant de faire chauffer votre four, réglez la grille dans la position désirée.
(Voir la rubrique « Positionnement de la grille »)

Mettez la grille dans le plat pour cuisson au grill pour en faire un grill-lèche-frite.

Disposez les aliments sur le grill-lèche-frite.

Disposez le grill-lèche-frite sur la grille du four.

Appuyez trois fois sur la touche « Oven » jusqu'à ce que la mention « Broil » soit affichée. Utilisez les flèches pour choisir la température désirée.

Appuyez sur la touche « Timer/Temp ». Utilisez les flèches pour choisir le temps désiré.

Appuyez sur la touche « Start ».

REMARQUE – L'élément de voûte s'ALLUMERA et s'ÉTEINDRA alternativement pour garder la température désirée. La cuisson au grill terminée, ouvrez la porte et sortez prudemment les aliments.

AVERTISSEMENT : NE LAISSEZ PAS VOTRE FOUR GRILLE-PAIN SANS SURVEILLANCE.

Pour utiliser la fonction rôties

Avant de faire chauffer votre four, réglez la grille dans la position désirée.
(Voir la rubrique « Positionnement de la grille »)

REMARQUE – En fonction du pain, les réglages varieront. Pour des rôties et des gaufres de couleur claire, utilisez un réglage plus bas. Pour les pains foncés, les muffins et les muffins anglais, utilisez un réglage plus foncé.

Disposez les aliments sur la grille.

Appuyez sur la touche « Toast ». Utilisez les flèches pour choisir la cuisson désirée (claire/foncée).

Appuyez sur la touche « Start ». Lorsque les rôties seront grillées, ouvrez la porte du four et sortez-les prudemment.

Pour utiliser la fonction pizza

Avant de faire chauffer le four, réglez la grille du four dans la position désirée.
(Voir la rubrique « Positionnement de la grille »)

Disposez la pizza sur la grille.

Appuyez sur la touche « Pizza ». Le temps par défaut « 20:00 » sera affiché. Utilisez les flèches pour régler le temps désiré. Appuyez sur la touche « Start ».

REMARQUE – La température de la fonction « Pizza » est réglée à 400°F et ne peut pas être modifiée. Si vous désirez une autre température, annulez la fonction « Pizza » et utilisez la fonction « Bake ».

Fonction déshydratation

Appuyez sur la touche « Dehydrate ». La température est déjà réglée à 185°F.

Utilisez les flèches pour régler le temps désiré.

Appuyez sur la touche « Start ».

Fonction décongélation

Pour décongeler des aliments, ne faites pas chauffer le four au préalable. La température est déjà réglée à 150°F. Appuyez sur la touche « Defrost ». Utilisez les flèches pour régler le temps. Pour décongeler la viande et le poisson, prévoyez entre 15 et 20 minutes par côté. Une fois les aliments décongelés, cuisez-les immédiatement.

Appuyez sur la touche « Start ».

Positionnement de la grille

Vous pouvez régler la grille du four dans trois positions. (Voir la Figure 3).

Sa position dépendra du volume des aliments et du brunissage que vous désirez obtenir.

Avant d'enlever la grille, laissez le four refroidir.

REMARQUE – Pour les rôties et les pizzas, nous vous recommandons de positionner la grille au centre.

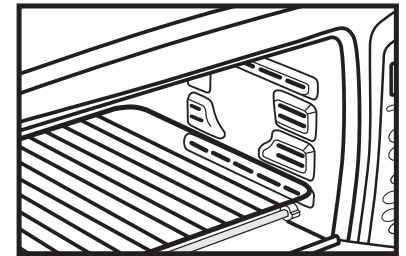


FIGURE 3

Pour nettoyer votre four grille-pain

Avant de nettoyer votre four grille-pain OSTER®, débranchez-le et laissez-le refroidir, puis essuyez-le avec un chiffon humide. **NE L'IMMERGEZ PAS DANS L'EAU!** Utilisez de l'eau savonneuse douce. Les nettoyants abrasifs, les brosses à poils durs et les nettoyants chimiques endommageront son revêtement. Videz fréquemment le tiroir à miettes pour empêcher l'accumulation excessive de miettes. Vous pouvez laver les grilles de votre four en toute sécurité dans un lave-vaisselle (*en haut du lave-vaisselle seulement*).

Pour remiser votre four grille-pain

Avant de le remiser, laissez-le complètement refroidir. Si vous devez le remiser pour longtemps, assurez-vous qu'il est propre et qu'il ne contient aucune particule d'aliments. Entrez-le dans un endroit sec, sur une table, un comptoir ou l'étagère d'une armoire, par exemple. À part ce simple nettoyage, votre four ne nécessite aucun autre entretien.

CONSEILS UTILES/RECHERCHE DES PANNES

INCIDENTS	CAUSES PROBABLES	SOLUTIONS
<ul style="list-style-type: none"> Les aliments sont cuits ou pas assez cuits 	<ul style="list-style-type: none"> La température ou le temps ne sont pas bien réglés. La grille n'est pas placée dans la bonne position. 	<ul style="list-style-type: none"> Vous devrez peut-être régler le temps et la température selon vos désirs. Étant donné que votre four grille-pain est plus petit qu'un four ordinaire, il chauffera plus vite et les aliments cuiront généralement plus rapidement. Reportez-vous à la rubrique « Positionnement de la grille », page 4. En fonction des aliments à cuire, vous devrez peut-être modifier la position de la grille.
<ul style="list-style-type: none"> Odeur de brûlé 	<ul style="list-style-type: none"> Accumulation d'aliments à l'intérieur du four, sur les éléments chauffants ou dans le tiroir à miettes. 	<ul style="list-style-type: none"> Reportez-vous à la rubrique « Pour nettoyer votre four grille-pain », page 6.
<ul style="list-style-type: none"> Le four ne s'ALLUME pas 	<ul style="list-style-type: none"> Le four n'est pas branché. La touche « Start » n'a pas été appuyée. 	<ul style="list-style-type: none"> Branchez votre four grille-pain dans une prise de courant alternatif de 120 volts. Réglez la touche du temps et celle de la température au réglage désiré. Vous devez appuyer sur ces deux touches pour que votre four grille-pain fonctionne. Appuyez sur la touche « Start ».
<ul style="list-style-type: none"> Un seul élément chauffe 	<ul style="list-style-type: none"> Le choix des fonctions détermine quel élément chauffant fonctionnera. 	<ul style="list-style-type: none"> Pour les rôties, assurez-vous que votre four n'est pas réglé sur « Cuisson au gril ».
<ul style="list-style-type: none"> Les éléments ne restent pas ALLUMÉS 	<ul style="list-style-type: none"> Les éléments chauffants s'ALLUMERONT et s'ÉTEINDRONT alternativement pour garder la bonne température. 	<ul style="list-style-type: none"> Assurez-vous que la fonction est celle désirée.
<ul style="list-style-type: none"> Impossible de modifier les touches de fonction 	<ul style="list-style-type: none"> La fonction doit être annulée. 	<ul style="list-style-type: none"> Appuyez sur la touche « Cancel ».

Garantie limitée d'un an

Sunbeam Products, Inc., faisant affaire sous la raison sociale Jarden Consumer Solutions, ou au Canada, Sunbeam Corporation (Canada) Limited, faisant affaire sous la raison sociale Jarden Consumer Solutions (collectivement « Sunbeam ») garantit que pendant une période d'un an à compter de la date d'achat ce produit sera exempt de défauts de matériaux ou de main d'œuvre. Sunbeam, selon son choix, réparera ou remplacera ce produit ou tout composant du produit s'avérant défectueux pendant que la garantie sera en vigueur. Le remplacement sera réalisé au moyen d'un produit ou composant neuf ou reconstruit. Si le produit n'est plus disponible, un produit d'une valeur similaire ou supérieure fera lieu de remplacement. Ceci est votre garantie exclusive.

Cette garantie est accordée à l'acheteur au détail initial et entre en vigueur à compter de la date d'achat au détail initial. Elle n'est pas transférable. Gardez votre preuve d'achat d'origine, car elle sera requise pour obtenir un service au titre de la garantie. Les marchands, les centres de réparation ou les magasins au détail Sunbeam vendant des produits Sunbeam n'ont pas le droit de modifier les modalités et conditions générales de cette garantie.

Cette garantie ne couvre pas l'usure normale des pièces ni les dégâts occasionnés par une des causes suivantes : mauvaise utilisation ou utilisation négligente de ce produit, branchement sur un courant ou une tension autre que ceux spécifiés, utilisation contraire aux instructions de fonctionnement, démontage, réparation ou modification par quiconque autre que Sunbeam ou un Centre de réparation agréé Sunbeam. De plus, la garantie ne couvre pas les cas de forces majeures, tels que les incendies, les inondations, les ouragans et les tornades.

Quelles sont les limites de responsabilité de Sunbeam?

Sunbeam ne sera pas responsable de dégâts secondaires ou conséquents causés par la rupture de toutes garanties ou conditions expresses, tacites ou légales.

Dans la mesure des lois applicables, toute garantie tacite ou condition de commercialité ou d'adaptation à un but particulier est limitée en durée à celle stipulée dans la présente garantie.

Sunbeam rejette toute autre garantie, condition ou représentation express, tacites, légales ou autre.

Sunbeam ne sera pas responsable des dégâts, quels qu'ils soient, résultant de l'achat, de l'utilisation, de l'abus d'utilisation du produit ou de l'incapacité de l'utiliser, y compris les dégâts directs, spéciaux, indirects ou identiques; ni des pertes de revenus, de toute rupture de contrat, fondamentale ou autre, ni de toute plainte déposée contre l'acheteur par une autre partie.

Certains territoires, provinces, états ou juridictions ne permettent pas l'exclusion ou la limitation des dégâts directs ou indirects, ni les limitations de la durée de garantie tacite. Il se peut donc que les limitations et exclusions stipulées dans les présentes ne s'appliquent pas à votre cas.

Cette garantie vous donne des droits juridiques précis et il se peut que vous en ayez d'autres qui peuvent varier d'un territoire, d'une province, d'un état ou d'une juridiction à l'autre.

Pour obtenir un service au titre de la garantie

Aux États-Unis –

Pour toute question concernant cette garantie ou pour obtenir une réparation sous garantie, appelez au 800 334-0759. L'adresse du centre de réparation le plus proche de chez vous vous sera fournie.

Au Canada –

Pour toute question concernant cette garantie ou pour obtenir une réparation sous garantie, appelez au 800 667-8623. L'adresse du centre de réparation le plus proche de chez vous vous sera fournie.

Aux États-Unis, cette garantie est offerte par Sunbeam Products, Inc., situé à Boca Raton, Florida 33431. Au Canada, elle est offerte par Sunbeam Corporation (Canada) Limited, située au 5975 Falbourne Street, Mississauga, Ontario L5R 3V8.

NE RENVOYEZ PAS CE PRODUIT À UNE DE CES ADRESSES NI OÙ VOUS L'AVEZ ACHETÉ.



For product questions contact:
Sunbeam Consumer Service

USA : 1.800.334.0759
Canada : 1.800.667.8623
www.oster.com

©2006 Sunbeam Products, Inc., d/b/a Jarden Consumer Solutions. All rights reserved.
In the U.S., distributed by Sunbeam Products, Inc.,
d/b/a Jarden Consumer Solutions, Boca Raton, FL 33431.
In Canada, imported and distributed by Sunbeam Corporation, Limited,
d/b/a Jarden Consumer Solutions.
SPR-030706

Para preguntas sobre los productos, llamar a:
Sunbeam Consumer Service

EE.UU.: 1.800.334.0759
Canadá: 1.800.667.8623
www.oster.com

©2006 Sunbeam Products, Inc., que opera bajo el nombre de Jarden Consumer Solutions.
Todos los derechos reservados.
En los EE.UU. distribuido por Sunbeam Products, Inc., que opera bajo el nombre de
Jarden Consumer Solutions, Boca Ratón, FL 33431.
En Canadá, importado y distribuido por Sunbeam Corporation Limited,
que opera bajo el nombre de Jarden Consumer Solutions.

Pour toutes questions concernant le produit :
Service à la clientèle Sunbeam

États-unis : 800 334-0759
Canada : 800 667-8623
www.oster.com

©Sunbeam Produits, Inc., faisant affaire sous la raison sociale
Jarden Consumer Solutions 2006. Tous droits réservés.
Aux États-Unis, distribuez par Sunbeam Produits, Inc.,
faisant affaire sous la raison sociale Jarden Consumer Solutions, Boca Raton, FL 33431.
Au Canada, importé et distribué par Sunbeam Corporation, Limited,
faisant affaire sous la raison sociale Jarden Consumer Solutions

Free Manuals Download Website

<http://myh66.com>

<http://usermanuals.us>

<http://www.somanuals.com>

<http://www.4manuals.cc>

<http://www.manual-lib.com>

<http://www.404manual.com>

<http://www.luxmanual.com>

<http://aubethermostatmanual.com>

Golf course search by state

<http://golfingnear.com>

Email search by domain

<http://emailbydomain.com>

Auto manuals search

<http://auto.somanuals.com>

TV manuals search

<http://tv.somanuals.com>