

Oster®

For product questions contact:
Sunbeam Consumer Service

USA : 1.800.334.0759

Canada : 1.800.667.8623

www.oster.com

© 2010 Sunbeam Products, Inc. doing business as Jarden Consumer Solutions.
All rights reserved. Distributed by Sunbeam Products, Inc. doing business as
Jarden Consumer Solutions, Boca Raton, Florida 33431.

SPR-033110

Para preguntas sobre los productos, llamar a:
Sunbeam Consumer Service

EE.UU.: 1.800.334.0759

Canadá: 1.800.667.8623

www.oster.com

© 2010 Sunbeam Products, Inc. operando bajo el nombre de Jarden Consumer Solutions.
Todos los derechos reservados. Distribuido por Sunbeam Products, Inc.
operando bajo el nombre de Jarden Consumer Solutions, Boca Raton, Florida 33431.

Oster®

User Manual **Toaster Oven**
Manual de Instrucciones **Horno Tostador**

MODEL/MODELO TSSTTVVG01



IMPORTANT SAFEGUARDS

SAVE AND READ THESE INSTRUCTIONS

When using electrical appliances, basic safety precautions should always be followed including the following:

- **READ ALL INSTRUCTIONS, PRODUCT LABELS AND WARNINGS BEFORE USING THE TOASTER OVEN.**
- Do not touch hot surfaces. Always use oven mitts when handling hot materials and allow metal parts to cool before cleaning. Allow the unit to cool thoroughly before putting in or taking off parts. Always use the oven handles when moving the unit.
- When the unit is not in use and before cleaning, unplug the countertop oven from the wall outlet. Note: Make sure the oven is turned off before unplugging.
- To protect against risk of electrical shock, do not immerse the appliance in water or any other liquids.
- Close supervision is always necessary when this or any appliance is used near children. This appliance is not for use by children.
- Do not operate this or any appliance with a frayed or damaged cord or plug or after the appliance malfunctions or is dropped or has been damaged in any manner. Return the countertop oven to the nearest Authorized Oster Appliance Service Center for examination, repair or electrical or mechanical adjustment.
- Do not use attachments not recommended by the manufacturer; they may cause fire, electric shock or personal injury.
- Do not use outdoors or for commercial purposes.
- Do not use this appliance for other than its intended use.
- Do not let the cord dangle over the edge of a tabletop or countertop or touch hot surfaces.
- Do not place the appliance near a hot gas or electric burner or in a heated oven.
- Extreme caution should be used when using containers constructed of material other than metal or glass.
- A fire may occur if the countertop oven is covered or touching flammable materials, including curtains, draperies, walls, etc., when in operation. Do not store any items on top of the appliance when in operation.
- When using countertop oven, pull the unit out a minimum of 6 inches away from the wall or other cords.
- Do not store any materials, other than manufacturer's recommended accessories, in this unit when not in use.
- Do not place any flammable materials in oven, such as paper, cardboard, plastic or any materials that may catch fire or melt.
- Do not cover the oven tray with metal foil. This will cause overheating of the appliance.
- Oversized foods or metal utensils must not be inserted in the appliance as they may create a fire or risk of electrical shock.
- Do not clean with metal scouring pads. Pieces can break off the pad and touch electrical parts involving a risk of electrical shock.
- When broiling, use extreme caution when removing pan or disposing of hot grease.
- To turn this appliance off, return all controls to the "OFF" position then unplug from wall outlet.

THIS UNIT IS FOR HOUSEHOLD USE ONLY SHORT POWER SUPPLY CORD INSTRUCTIONS

A short power-supply cord is provided to reduce the risk resulting from becoming entangled in or tripping over a longer cord. An extension cord may be used if care is exercised in its use. If an extension cord is used, the electrical rating of the cord must be at least as great as the electrical rating of the appliance. The extension cord should be arranged so that it will not drape over the countertop or tabletop where it can be pulled on by children or tripped over unintentionally.

For Products Purchased in the United States and Canada Only

To reduce the risk of electrical shock, this appliance has a polarized plug (*one blade is wider than the other*). This plug fits a polarized outlet only one way; if the plug does not fit fully into the outlet, reverse the plug. If it still does not fit, contact a qualified electrician. **Do not** attempt to modify the plug in any way.

SAVE THESE INSTRUCTIONS

Welcome

Congratulations on your purchase of an OSTER® Toaster Oven!

Features of Your Toaster Oven

(See Figure 1)

- | | |
|------------------------------------|--------------------|
| 1. Temperature Control Dial | 5. Stay-On Setting |
| 2. Toast Setting | 6. Indicator Light |
| 3. Broil Setting | 7. Baking Pan |
| 4. Toast Color Control /Timer Dial | 8. Crumb Tray |

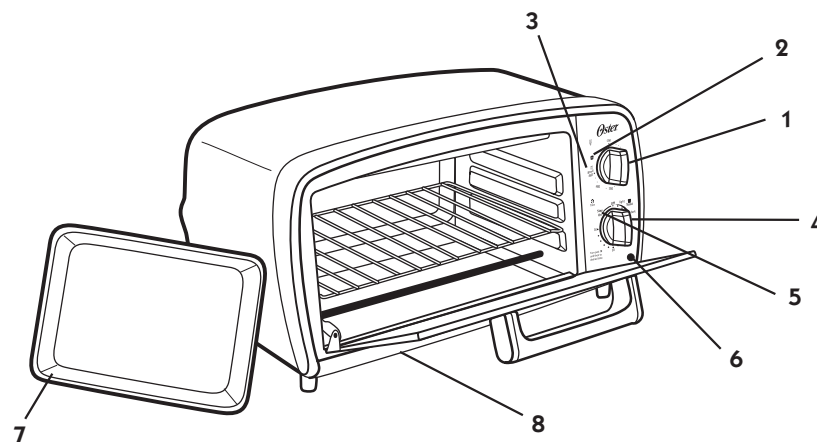
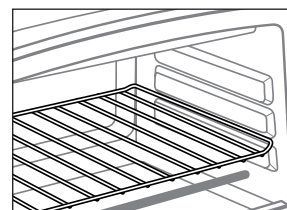
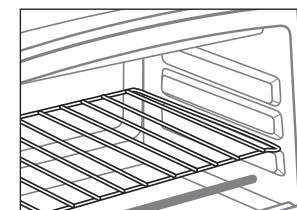


FIGURE 1



RACK IN BAKE POSITION



RACK IN BROIL/TOAST POSITION

Operating Instructions

Your Oster® Toaster Oven/Broiler is equipped with all the options of a full-size oven in a countertop appliance; toasts, bakes and broils.

NOTE: During initial start up you may detect a slight smell and/or smoke. Turn the temperature to max and let run for approximately 5 minutes.

HOW TO TOAST

1. Place oven rack in Broil/Toast position. Place food on rack.
2. Turn function knob to Toast.
3. Rotate Toast Color Control/Timer Dial clockwise past 10 minutes then back to desired toast shade.

IMPORTANT

When choosing Toast color light, medium (set between light and dark) and dark, always rotate timer over 10 minutes and then rotate back to Dark, Medium or Light. This will ensure that the timer operates correctly and safely. When the toast cycle is finished the bell will ring and the electrical power is automatically turned off. To stop the cycle at any time, turn the timer counterclockwise to the “Off” position and the bell will ring.

In this cycle both the top and bottom heating elements operate, however they may **not** glow red hot. Please note this is normal and they are operating properly.

BAKING

1. Place the food on the baking pan and then place the pan on the top of the Wire Rack in the oven. Close the oven door.

NOTE: We suggest to always preheat the oven at this “Baking” setting before placing the food inside.

2. Rotate the Temperature Dial to the desired temperature.
3. The Timer Dial is the On/Off Switch.
4. After rotating the Temperature Dial to your desired temperature, then you must select from the following options on the Timer Dial.

For items requiring shorter baking times, rotate the Timer Dial clockwise (up to 30 min). At the sound of the bell, the bake function will automatically turn “Off.” – OR –

For longer baking times, rotate the Timer Dial counterclockwise to the “Stay On” setting. Baking will continue until the Timer Dial is manually turned to the “Off” position and the bell will sound.

During this cycle, both the top and bottom heating elements operate. **NOTE:** Always monitor the food at this setting to ensure that you are not overcooking. Do not use oven plastic or paper cooking bags in the toaster oven.

BROILING – TOP BROWN

1. Place the food on the baking pan and then place the pan on the top of the wire rack in the oven. Close the oven door.
2. Rotate the Temperature Dial clockwise to the “Broil” position.
3. The Timer Dial is the On/Off switch. After rotating the Temperature Dial to the “Broil” position, select the Timer Dial with the following options.

For items requiring short broil times, rotate the Timer Dial clockwise (up to 30 minutes). At the sound of the bell, the broil function will automatically turn “Off.”

– OR –

For longer broiling times, rotate the Timer Dial counterclockwise to the “Stay On” setting. The broiling will continue until the Timer Dial is manually turned to the “Off” position and the bell will sound. In this cycle only the upper heating elements operate, however they may **not** glow red hot. Please note this is normal and they are operating properly.

NOTE: Always monitor the food at this setting to ensure that you are not overcooking. We suggest using the Timer as food can burn quickly at this setting. When broiling, turn food over for even cooking. Food should not be placed directly on the wire rack. For Top Browning simply broil as long as desired.

NOTE: Do not preheat, Do not allow aluminum foil to touch heating elements. Allow one inch between heating element and food.

CARE AND CLEANING

Do not immerse oven in liquids. Wipe oven with damp cloth and dry. Before using your Oster® Toaster Oven/Broiler, wash all of the non-electrical accessories and the wire rack and baking pan in hot water with detergent or soap. Always make sure that the appliance is unplugged and cool before cleaning.

Cleaning the Wire Rack

The wire rack can be removed for easy cleaning. Open the oven door and tilt upward slightly, pull the wire rack toward you until it slides out completely. Once the rack is removed, clean the interior with a damp cloth. To replace the wire rack, open the oven door and tilt upward slightly and slide the rack into the two rack grooves at either side of the oven chamber, push straight to the back of the oven chamber. Ensure that the automatic door hooks are in the correct position to push in the wire rack towards the rear of the oven chamber. The exterior may be wiped with a damp cloth. Remember, do not place the entire unit in water or any liquid. **DO NOT WIPE THE HEATING ELEMENTS** – They are self-cleaning.

Cleaning the Bottom of the Crumb Tray

This appliance has a removable interior crumb tray at the bottom of the baking chamber. First, unplug this appliance and allow to cool. To clean out the crumbs, simply lift the crumb tray and pull out of the Toaster Oven/Broiler.

DO NOT use the dishwasher to clean any of the accessories which are included with these products.

DO NOT use any abrasive cleaning products.

TO PREVENT COUNTERTOP FROM BEING DAMAGED, THE TOASTER OVEN/BROILER MUST BE OPERATED WITH THE CRUMB TRAY IN PLACE AND CLEANED OF EXCESS FOOD. NEVER OPERATE YOUR TOASTER OVEN/BROILER WITH THE OVEN DOOR OPEN.

One-Year Limited Warranty

Sunbeam Products, Inc. doing business as Jarden Consumer Solutions or if in Canada, Sunbeam Corporation (Canada) Limited doing business as Jarden Consumer Solutions (collectively “JCS”) warrants that for a period of one year from the date of purchase, this product will be free from defects in material and workmanship. JCS, at its option, will repair or replace this product or any component of the product found to be defective during the warranty period. Replacement will be made with a new or remanufactured product or component. If the product is no longer available, replacement may be made with a similar product of equal or greater value. This is your exclusive warranty. Do NOT attempt to repair or adjust any electrical or mechanical functions on this product. Doing so will void this warranty.

This warranty is valid for the original retail purchaser from the date of initial retail purchase and is not transferable. Keep the original sales receipt. Proof of purchase is required to obtain warranty performance. JCS dealers, service centers, or retail stores selling JCS products do not have the right to alter, modify or any way change the terms and conditions of this warranty.

This warranty does not cover normal wear of parts or damage resulting from any of the following: negligent use or misuse of the product, use on improper voltage or current, use contrary to the operating instructions, disassembly, repair or alteration by anyone other than JCS or an authorized JCS service center. Further, the warranty does not cover: Acts of God, such as fire, flood, hurricanes and tornadoes.

What are the limits on JCS’s Liability?

JCS shall not be liable for any incidental or consequential damages caused by the breach of any express, implied or statutory warranty or condition.

Except to the extent prohibited by applicable law, any implied warranty or condition of merchantability or fitness for a particular purpose is limited in duration to the duration of the above warranty.

JCS disclaims all other warranties, conditions or representations, express, implied, statutory or otherwise.

JCS shall not be liable for any damages of any kind resulting from the purchase, use or misuse of, or inability to use the product including incidental, special, consequential or similar damages or loss of profits, or for any breach of contract, fundamental or otherwise, or for any claim brought against purchaser by any other party.

Some provinces, states or jurisdictions do not allow the exclusion or limitation of incidental or consequential damages or limitations on how long an implied warranty lasts, so the above limitations or exclusion may not apply to you.

This warranty gives you specific legal rights, and you may also have other rights that vary from province to province, state to state or jurisdiction to jurisdiction.

How To Obtain Warranty Service

In the U.S.A.

If you have any question regarding this warranty or would like to obtain warranty service, please call 1.800.334.0759 and a convenient service center address will be provided to you.

In Canada

If you have any question regarding this warranty or would like to obtain warranty service, please call 1.800.667.8623 and a convenient service center address will be provided to you.

In the U.S.A., this warranty is offered by Sunbeam Products, Inc. doing business as Jarden Consumer Solutions located in Boca Raton, Florida 33431. In Canada, this warranty is offered by Sunbeam Corporation (Canada) Limited doing business as Jarden Consumer Solutions, located at 20 B Hereford Street, Brampton, Ontario L6Y 0M1. If you have any other problem or claim in connection with this product, please write our Consumer Service Department.

PLEASE DO NOT RETURN THIS PRODUCT TO ANY OF THESE ADDRESSES OR TO THE PLACE OF PURCHASE.

PRECAUCIONES IMPORTANTES LEA Y GUARDE ESTAS INSTRUCCIONES

Cuando use aparatos eléctricos, siempre deben tomarse algunas precauciones básicas de seguridad, incluyendo las siguientes:

- **LEA TODAS LAS INSTRUCCIONES, LAS ETIQUETAS EN EL PRODUCTO Y LAS ADVERTENCIAS, ANTES DE USAR EL HORNO TOSTADOR.**
- No toque las superficies calientes. Siempre use guantes cuando maneje materiales calientes y permita que las partes metálicas se enfríen antes de limpiar. Permita que la unidad se enfríe completamente antes de poner o quitar partes. Siempre use las asas del horno cuando mueva la unidad.
- Desconecte el horno tostador del tomacorriente cuando la unidad no esté en uso y antes de limpiarla. NOTA: Verifique que el horno tostador esté apagado antes de desconectar.
- Para protegerse contra una descarga eléctrica, no sumerja el aparato en agua o en otros líquidos.
- Supervisión continua es necesaria cuando éste o cualquier otro aparato sea usado cerca de los niños. Este aparato no debe ser usado por los niños.
- No opere éste ni ningún otro aparato con un cordón dañado o quemado o después de que el aparato ha funcionado inadecuadamente o ha sido dañado en cualquier forma. Devuelva el aparato al Centro de Servicio Autorizado Sunbeam más cercano para que lo revisen, reparen o para un ajuste.
- No utilice accesorios o aditamentos no recomendados por el fabricante, ya que pueden causar incendios, descargas eléctricas o lesiones personales.
- No utilice este aparato en exteriores o con propósitos comerciales.
- No utilice este aparato más que para lo que ha sido diseñado.
- No permita que el cordón cuelgue sobre la orilla de la mesa o del mostrador o toque superficies calientes.
- No lo coloque sobre o cerca de quemadores de estufas de gas o eléctricas, tampoco dentro de un horno caliente.
- Tenga extremo cuidado cuando use contenedores que no estén fabricados de vidrio o de metal.
- Puede ocurrir un incendio si el horno tostador está en operación y está en contacto o cubierto con materiales inflamables, incluyendo cortinas, tapicería, paredes, etc. No coloque ningún objeto sobre el aparato cuando esté en operación.
- Cuando esta unidad no esté en operación, no almacene dentro de él ningún material que no sea un accesorio recomendado por el fabricante.
- No coloque dentro del horno ningún material inflamable como papel, cartón, plástico o cualquier material que se pueda incendiar o derretir.
- No cubra la charola para migajas o ninguna parte del horno con papel aluminio o metálico. Esto puede causar el sobrecalentamiento del aparato.
- Los alimentos grandes o utensilios metálicos no deben ser introducidos en el horno tostador ya que pueden causar incendios o descargas eléctricas.
- No limpie con esponjas o fibras metálicas. Se pueden desprender trozos de la esponja o fibra y tocar partes eléctricas creando el riesgo de descargas eléctricas.
- Cuando ase alimentos, tenga extremo cuidado al remover la charola o desechar la grasa caliente.
- Para apagar este electrodoméstico, ubique los controles en la posición “APAGADO” (Off) y luego desconéctelo del tomacorriente.

ESTA UNIDAD ES SÓLO PARA USO DOMÉSTICO

USO DE UN CABLE ELÉCTRICO CORTO

Se incluye un cable de tensión corto para evitar que se enrede o que cause tropiezos. Un cable de extensión puede usarse con cuidado. Si se usa un cable de extensión, la potencia eléctrica marcada en el cable de extensión debe ser por lo menos igual o mayor a la potencia eléctrica del aparato. El cable de extensión debe colocarse de manera que no cuelgue del mostrador o de la mesa, donde pueda causar tropiezos accidentalmente.

SÓLO PARA PRODUCTOS COMPRADOS EN LOS ESTADOS UNIDOS Y CANADÁ

Para reducir el riesgo de choque eléctrico, este aparato tiene un enchufe polarizado (una cuchilla es más ancha que la otra). Como una medida de seguridad, este enchufe entrará en una toma de corriente polarizada de una sola forma. Si el enchufe no entra completamente en un tomacorriente, voltéelo. Si aún así no entra, contacte a un electricista calificado. No intente modificar esta medida de seguridad.

GUARDE ESTAS INSTRUCCIONES

Bienvenido

¡Felicitaciones por su compra de un Horno Tostador OSTER®!

Características de su horno tostador

(Véase la Figura 1)

- | | |
|--|-----------------------------------|
| 1. Disco de Control de Temperatura | 5. Opción de Encendido Permanente |
| 2. Posición para Tostar | 6. Luz Indicadora |
| 3. Posición para Asar | 7. Bandeja para Hornear |
| 4. Cronómetro de 15 Minutos / Control del Nivel de Tostado | 8. Bandeja de Migas |

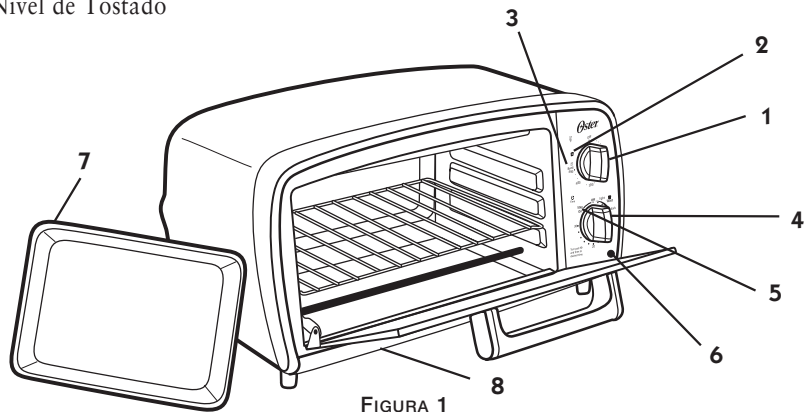
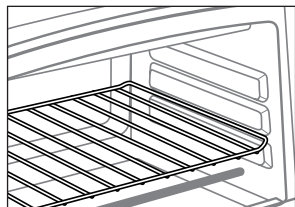
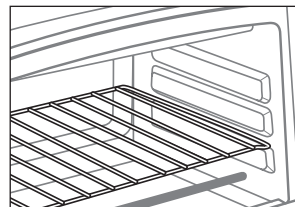


FIGURA 1



REPISA EN POSICIÓN DE "BAKE" (HORNEADO)



REPISA EN POSICIÓN DE "BROIL/TOAST" (DORAR/TOSTAR)

Instrucciones De Operación

Su Horno Tostador / Asador Oster® está equipado con todas las opciones de un horno de tamaño completo; hace tostadas, hornea y asa. NOTA: Durante el uso inicial usted puede detectar un leve olor y/o humo. Gire la temperatura al máximo y déjela funcionar por aproximadamente 5 minutos.

CÓMO TOSTAR

1. Coloque la repisa de alambre en la posición "Broil/Toast" (Dorar/Tostar). Coloque la comida en la repisa.
2. Gire el disco de la función a "Toast" (Tostar).
3. Rote el disco de control del color de tostado en dirección de las manecillas del reloj pasando 10 minutos y luego regrese al nivel deseado de color de tostado.

IMPORTANTE

Cuando se selecciona un tostado claro, medio (ajuste entre claro y oscuro) y oscuro, siempre gire el cronómetro por encima de 10 minutos y luego gire volviendo a la posición Oscuro, Medio o Claro. Esto garantiza que el cronómetro funcione correctamente y de manera segura. Cuando el ciclo de tostado haya terminado, la campana sonará y el horno se apagará de manera automática. Para detener el ciclo en cualquier momento, gire el cronómetro en contra de las manecillas del reloj hasta la posición "Apagado" (Off) hasta que escuche la campana.

En este ciclo, funcionan tanto las resistencias superiores e inferiores, sin embargo, es posible que éstas no se vean incandescentes. Tenga en cuenta que esto es normal y que funcionan de manera correcta.

HORNEO

1. Ponga los alimentos en la bandeja para hornear y después coloque la bandeja encima de la Repisa de Alambre en el horno. Cierre la puerta del horno.

NOTA: Sugerimos que precaliente siempre el horno en esta graduación de "Hornear" antes de poner los alimentos adentro.

2. Gire el disco de control de temperatura a la temperatura deseada.
3. El cronómetro de 15 minutos / control del nivel de tostado es el Interruptor de Encendido.
4. Después de rotar el disco de control de temperatura a su temperatura deseada, seleccione las opciones encontradas en el cronómetro de 15 minutos / control del nivel de tostado.

Para raciones que requieran de menor tiempo de tostado, gire el cronómetro en el sentido de las manecillas del reloj (hasta 30 min.).

Al sonar la campana, la función de horneado se apagará de manera automática.

– O –

Para periodos de horneado mayores, gire el cronómetro en contra de las manecillas del reloj hasta la posición "Encendido Permanente" (Stay On). El horneado continuará hasta que el cronómetro se lleve manualmente hasta la posición "Apagado" (Off), y luego sonará la campana.

Durante este ciclo, funcionan tanto las resistencias superiores como las inferiores.

NOTA: Supervise siempre los alimentos en esta graduación para asegurarse de que no se estén sobre-cocinando. No use bolsas plásticas de horneado o de papel de cocina en el horno de la tostadora.

ASAR – DORADO ARRIBA

1. Ponga los alimentos en la bandeja para hornear y coloque la bandeja encima de la Repisa de Alambre en el horno. Cierre la puerta del horno.
2. Rote el disco de control de temperatura a la derecha hasta la posición "Broil."
3. El cronómetro de 15 minutos / control del nivel de tostado es el interruptor de encendido. Después de rotar el disco de control de temperatura a la posición "Broil", seleccione el Dial cronómetro de 15 minutos / control del nivel de tostado con las siguientes opciones.

Para raciones que requieran un tiempo para asar corto, gire el cronómetro en el sentido de las manecillas del reloj (hasta 30 min.). Al escuchar la campana, la función de asado se apagará de manera automática

– O –

Para un tiempo de asado mayor, gire el cronómetro en contra de las manecillas del reloj hasta la posición “Encendido Permanente” (Stay On). El asado continuará hasta que el cronómetro se lleve manualmente a la posición “Apagado” (Off) y luego sonará la campana. En este ciclo, sólo funciona la resistencia superior, sin embargo, es posible que no se vea incandescente. Tenga en cuenta que esto es normal y que funciona de manera correcta.

NOTA: Supervise siempre los alimentos en esta graduación para asegurarse de que no se estén sobre-cocinando. Sugerimos usar el cronómetro de 15 minutos / control del nivel de tostado ya que los alimentos pueden quemarse rápidamente en esta graduación. Al asar, voltee los alimentos para que se cocinen parejo. Los alimentos no se deben poner directamente sobre la repisa de alambre. Para el Dorado Arriba simplemente ase por el **NOTA:** No precaliente, No permita que el papel de aluminio toque a los elementos de calentamiento. Deje una pulgada de separación entre el elemento de calentamiento y los alimentos.

CUIDADO Y LIMPIEZA

No sumerja el horno en ningún líquido. Limpie el horno con una tela húmeda y luego seque. Antes de utilizar su Horno Tostador/Asador Oster® lave todos los accesorios no eléctricos, y la repisa de alambre junto con la bandeja para hornear en agua caliente con detergente o jabón. Asegúrese siempre de que el electrodoméstico esté desconectado y frío antes de limpiarlo

Limpieza de la Repisa de Alambre

La repisa de alambre se puede quitar para una limpieza fácil. Abra la puerta del horno e incline hacia arriba levemente, tire de la repisa de alambre hacia usted hasta que se deslice hacia fuera totalmente. Una vez que quite la repisa, limpie el interior con una tela húmeda. Para reemplazar la repisa del alambre, abra la puerta del horno e incline hacia arriba levemente y deslice la repisa en los dos surcos de repisa a ambos lados del compartimiento del horno, empuje derecho hasta el fondo del compartimiento. El exterior se puede limpiar con una tela húmeda. Recuerde, no sumerja el horno tostador en agua o en ningún otro líquido. **NO LIMPIE LOS ELEMENTOS DE CALENTAMIENTO** – Son de auto-limpiado.

Limpieza de la Parte Baja de la Bandeja de Migas

Este electrodoméstico tiene una bandeja de migas desmontable en el fondo del compartimiento de horneado. Primero, desconecte el electrodoméstico y permita que se enfríe. Para limpiar las migas, sólo levante la bandeja de migas y retírela del Horno Tostador/Asador

NO UTILICE el lavavajillas para limpiar ningún accesorio que venga incluido con estos productos..

NO UTILICE ningún producto de limpieza abrasivo.

PARA PREVENIR EL DAÑO DE LA SUPERFICIE DE APOYO, EL HORNO TOSTADOR/ASADOR DEBE OPERAR CON LA BANDEJA DE MIGAS EN SU LUGAR Y LIBRE DE RESTOS DE COMIDA EN EXCESO. NUNCA UTILICE SU HORNO TOSTADOR/ASADOR CON LA PUERTA DEL HORNO ABIERTA.

Garantía Limitada de 1 Año

Sunbeam Products, Inc. operando bajo el nombre de Jarden Consumer Solutions, o en Canadá, Sunbeam Corporation (Canada) Limited operando bajo el nombre de Jarden Consumer Solutions, (en forma conjunta, “JCS”), garantiza que por un período de un año a partir de la fecha de compra, este producto estará libre de defectos de materiales y mano de obra. JCS, a su elección, reparará o reemplazará este producto o cualquier componente del mismo que presente defectos durante el período de garantía. El reemplazo se realizará por un producto o componente nuevo o reparado. Si el producto ya no estuviera disponible, se lo reemplazará por un producto similar de valor igual o superior. Ésta es su garantía exclusiva. No intente reparar o ajustar ninguna función eléctrica o mecánica de este producto. Al hacerlo eliminará ésta garantía.

La garantía es válida para el comprador minorista original a partir de la fecha de compra inicial y la misma no es transferible. Conserve el recibo de compra original. Para solicitar servicio en garantía se requiere presentar un recibo de compra. Los agentes y centros de servicio de JCS o las tiendas minoristas que venden productos de JCS no tienen derecho a alterar, modificar ni cambiar de ningún otro modo los términos y las condiciones de esta garantía.

Esta garantía no cubre el desgaste normal de las piezas ni los daños que se produzcan como resultado de uso negligente o mal uso del producto, uso de voltaje incorrecto o corriente inapropiada, uso contrario a las instrucciones operativas, y desarme, reparación o alteración por parte de un tercero ajeno a JCS o a un Centro de Servicio autorizado por JCS. Asimismo, la garantía no cubre actos fortuitos tales como incendios, inundaciones, huracanes y tornados.

¿Cuál es el límite de responsabilidad de JCS?

JCS no será responsable de daños incidentales o emergentes causados por el incumplimiento de alguna garantía o condición expresa, implícita o legal.

Excepto en la medida en que lo prohíba la ley aplicable, cualquier garantía o condición implícita de comerciabilidad o aptitud para un fin determinado se limita, en cuanto a su duración, al plazo de la garantía antes mencionada.

JCS queda exenta de toda otra garantías, condiciones o manifestaciones, expresa, implícita, legal o de cualquier otra naturaleza.

JCS no será responsable de ningún tipo de daño que resulte de la compra, uso o mal uso del producto, o por la imposibilidad de usar el producto, incluidos los daños incidentales, especiales, emergentes o similares, o la pérdida de ganancias, ni de ningún incumplimiento contractual, sea de una obligación esencial o de otra naturaleza, ni de ningún reclamo iniciado contra el comprador por un tercero.

Algunas provincias, estados o jurisdicciones no permiten la exclusión o limitación de los daños incidentales o emergentes ni las limitaciones a la duración de las garantías implícitas, de modo que es posible que la exclusión o las limitaciones antes mencionadas no se apliquen en su caso.

Esta garantía le otorga derechos legales específicos y es posible que usted tenga otros derechos que varían de un estado, provincia o jurisdicción a otro.

Cómo solicitar el servicio en garantía

En los Estados Unidos

Si tiene alguna pregunta sobre esta garantía o desea recibir servicio de garantía, llame al 1.800.334.0759 y podrá obtener la dirección del centro de servicio que le resulte más conveniente.

En Canadá

Si tiene alguna pregunta sobre esta garantía o desea recibir servicio de garantía, llame al 1.800.667.8623 y podrá obtener la dirección del centro de servicio que le resulte más conveniente.

En los Estados Unidos, esta garantía es ofrecida por Sunbeam Products, Inc. operando bajo el nombre de Jarden Consumer Solutions, Boca Ratón, Florida 33431. En Canadá, esta garantía es ofrecida por Sunbeam Corporation (Canada) Limited operando bajo el nombre de Jarden Consumer Solutions, 20 B Hereford Street, Brampton, Ontario L6Y 0M1. Si usted tiene otro problema o reclamo en conexión con este producto, por favor escriba al Departamento de Servicio al Consumidor.

POR FAVOR NO DEVUELVA ESTE PRODUCTO A NINGUNA DE ESTAS DIRECCIONES NI AL LUGAR DE COMPRA.

Free Manuals Download Website

<http://myh66.com>

<http://usermanuals.us>

<http://www.somanuals.com>

<http://www.4manuals.cc>

<http://www.manual-lib.com>

<http://www.404manual.com>

<http://www.luxmanual.com>

<http://aubethermostatmanual.com>

Golf course search by state

<http://golfingnear.com>

Email search by domain

<http://emailbydomain.com>

Auto manuals search

<http://auto.somanuals.com>

TV manuals search

<http://tv.somanuals.com>