

# IMPORTANT SAFEGUARDS

When using your toaster, basic safety precautions should always be followed, including the following:  
**READ ALL INSTRUCTIONS BEFORE USE**

- Unplug toaster from outlet when not in use and before cleaning. Allow to cool before putting on or taking off parts.
- Do not touch hot surfaces. Metal parts can become hot. Use handles or knobs.
- To prevent electric shock, unplug before cleaning.
- To protect against electrical hazards, do not immerse cord, plug or toaster in water or other liquids.
- Do not let cord hang over edge of table or counter or touch hot surfaces.
- Never leave appliance unattended when in use.
- Young children or incapacitated persons should not use this appliance. Supervise older children closely.
- Do not operate or place the toaster:
  - On non-heat-resistant or flammable surfaces.
  - On or near a hot gas or electric burner.
  - In a heated oven or microwave oven.
- To reduce the risk of fire or electric shock, do not insert:
  - Utensils or foil-covered or oversized foods into the toaster.
  - Fingers or metallic utensils into slots when toaster is plugged in.
- Do not attempt to dislodge food when toaster is plugged in.
- Do not use foods that will drip coatings or fillings when heated. Such accumulations inside the toaster create unsanitary conditions and the possibility of fire or toaster malfunction. Clean out accumulated crumbs frequently to avoid risk of fire or toaster malfunction. Do not operate the toaster without the crumb tray being replaced in its correct position.
- Do not operate any appliance with a damaged cord or plug or after the appliance has malfunctioned or has been damaged in any manner. Return the toaster to the nearest Authorized Sunbeam Appliance Service Center for examination, repair or electrical or mechanical adjustment.
- Do not use the toaster outdoors or for commercial purposes; this appliance is for household use only.
- Use this appliance only for its intended use as described in this manual. Do not use attachments that are not recommended by the manufacturer; they may cause injury.
- A fire may occur if toasters are covered or touching flammable material, including curtains, draperies, walls and the like when in operation.
- To connect or disconnect appliance, press cancel button. Toast lift lever must be in the normal up position before attaching or disconnecting the plug from the wall outlet.

# SAVE THESE INSTRUCTIONS

## Power Cord Instructions

- Please follow the instructions below to ensure the safe use of the power cord.
- This toaster has a power cord area that allows you to adjust the length of the cord so that it is the appropriate length for your situation. Try to position the toaster near the power source to reduce the hazards associated with power cords (such as becoming entangled or tripping over a long power cord).
  - For toasters purchased in the U.S. and Canada: This appliance has a polarized plug (one blade is wider than the other). To reduce the risk of electric shock, this plug will fit into a polarized plug in only one way. If you cannot completely insert the power plug into the power outlet, reverse the direction of the plug. If it still does not fit, contact a qualified electrician. Do not modify the plug in any way.
  - Do not pull, twist or otherwise abuse the power cord.
  - Do not operate any electrical appliance with a damaged cord or plug or after the appliance malfunctions or has been dropped or damaged in any manner.
  - Unplug the toaster when it is not in use and before cleaning.
  - Do not wrap the power cord around the main body of the toaster during or after use.

## THIS UNIT IS FOR HOUSEHOLD USE ONLY

### Short Power Supply Cord Instructions

A short power-supply cord is provided to reduce the risk resulting from becoming entangled in or tripping over a longer cord. An extension cord may be used if care is exercised in its use. If an extension cord is used, the electrical rating of the cord must be at least as great as the electrical rating of the appliance. The extension cord should be arranged so that it will not drape over the countertop or tabletop where it can be pulled on by children or tripped over unintentionally.

### Adjusting the Power Cord length

Your toaster's Retractable Cord Storage area allows you to adjust the length of the Power Cord so that it is the exact length you desire when controls are off and unit is unplugged and cool.

1. When retracting the cord, hold the plug with one hand and push the button to retract cord.
2. The cord reel is compact for multi-layer retracting of the cord. In case cord is not fully rewound, pull out the cord and steer cord evenly on the reel.
3. In case the cord is not pulled out easily, pull cord firmly.
4. Do not allow children to use retractable cord feature as the cord may cause injury.

### Using Your Toaster

#### Inserting the food into the bread slots and toasting:

Now you are ready to insert your food into the bread slots. Keep the following tips in mind when inserting your food:

- Most types of breads and pastries can be toasted, such as bagels, tea cakes, thickly sliced breads, English muffins, etc. Slices should not, however, be so thick as to jam the bread slots.
- When toasting two slices at a time, the slices should be of equal size and freshness to ensure even toasting.
- When toasting two slices of bread, place one slice in the center of each bread slot.
- When toasting one slice of bread, place the slice in the center of either bread slot.

#### After you insert the food into the bread slots:

1. Choose between the Food Select Features or other Functions. If no food or function is chosen, Toast is the default setting.
2. Select the desired darkness setting by turning the Lighter/Darker knob.
3. Press the Bread Carriage Lever down until it locks.

The Auto-Adjusting Bread Guides will automatically center the food for even browning.

*Tip: Your toaster has been designed for optimum toast balance. Some elements on the inside of the toaster may glow more brightly than others when in use. This is part of normal toaster operation.*

After the desired level of darkness has been reached, the food will pop up automatically. The Bread Carriage Lever will return to its original position and the indicator lights will turn off.

4. Carefully remove the toasted food from the bread slots.

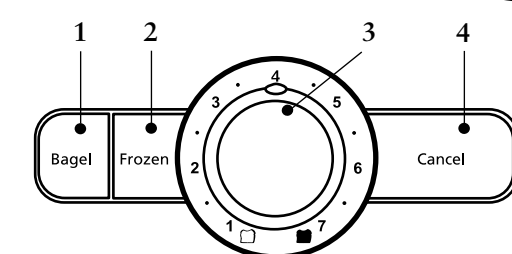
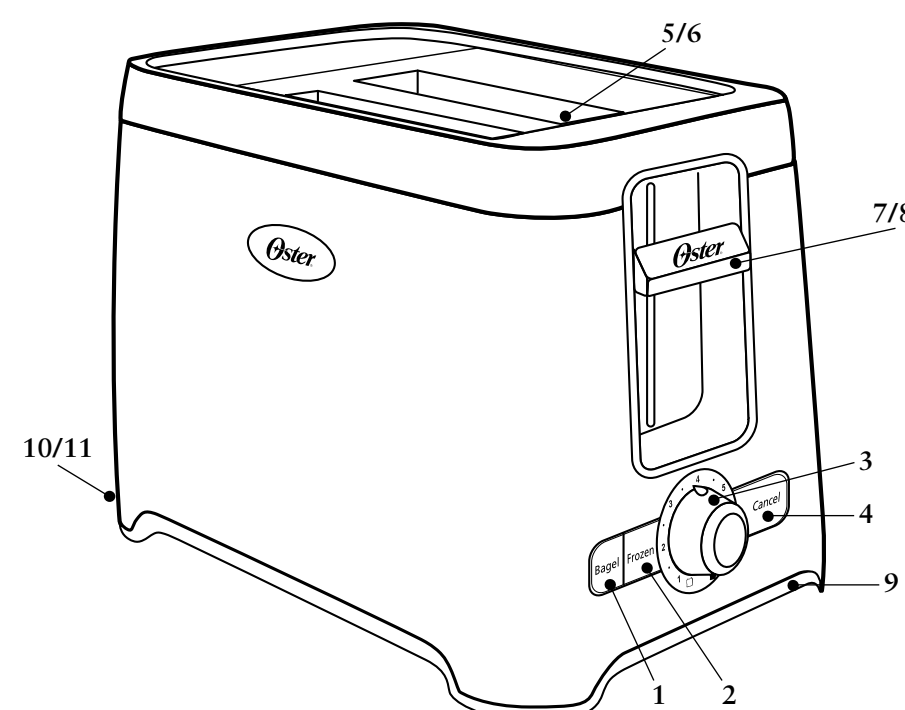
**WARNING: Toasted food can be very hot. Handle with care.**

*Tip: To remove food jammed in the bread slots, unplug the toaster and remove the food once the toaster has cooled down.*

**WARNING: Never insert your fingers or metallic utensils into the bread slots.**

## Welcome

Congratulations on your purchase of an OSTER® Toaster! To learn more about OSTER® products, please visit us at [www.oster.com](http://www.oster.com).



- |                                       |                              |
|---------------------------------------|------------------------------|
| 1. Bagel Button with Indicator Light  | 7. Bread Carriage Lever      |
| 2. Frozen Button with Indicator Light | 8. Toast Lift                |
| 3. Lighter/Darker Knob                | 9. Removable Crumb Tray      |
| 4. Cancel Button                      | 10. Retractable Cord Storage |
| 5. Extra-Wide Bread Slots             | 11. Power Cord               |
| 6. Stainless Steel Bread Guides       |                              |

### Using the Food Select Feature (Bagel)

#### To Toast Your Bagel: (Single Side Bagel Toasting)

This feature activates heat to the inner heating elements to cook the insides of your cut bagel without burning the outside.

1. Place the cut bagel into the toasting slots with the inside of the bagel facing inwards toward the middle of the toaster.
2. Press the Bagel button. The Bagel light will illuminate to indicate your selection.
3. Press the Bread Carriage Lever until it locks.
4. After the desired level of darkness has been reached, the food will pop up automatically. The Bread Carriage Lever will return to the up position and the indicator lights will turn off.
5. Carefully remove the toasted bagel from the bread slots.
6. To use the Toast Lift, press up on the bread carriage lever to lift food out of the bread slots. It is a convenient and safe way of retrieving hot foods.

### Using the Frozen Food Function

Your toaster can defrost your frozen food and then toast it. Now you can take a frozen bagel out of the freezer and defrost and toast it – all in your toaster – all in one easy step.

#### To defrost and toast your food:

1. Insert the food into the bread slots.
2. Press the Frozen button if the food is frozen, then select your food type by pressing the appropriate button. If no food is selected the toaster will operate in Toast mode.
3. Press the Bread Carriage Lever until it locks.
4. After the desired level of darkness has been reached, the food will pop up automatically. The Bread Carriage Lever will return to the up position and the indicator lights will turn off.
5. Carefully remove the toasted food from the bread slots.
6. To use the Toast Lift, press up on the bread carriage lever to lift food out of the bread slots. It is a convenient and safe way of retrieving hot foods.

### Using the Cancel Function

#### To cancel the toast process:

Press the Cancel button. The toaster will stop toasting immediately and the food will pop up automatically.

### Cleaning Your Toaster

1. Unplug and allow the toaster to cool.
2. Once cool, wipe the outside of your toaster with a damp cloth.

## Learning About Your Toaster

Toast is the default setting if no food or function select buttons are chosen.

1. **Bagel Button with Indicator Light** – Press this button if you want to toast a bagel. The indicator will light to confirm that “Bagel” is selected.
2. **Frozen Button with Indicator Light** – Press this button if your food is frozen. Use this button in combination with the Bagel, Waffle and Toast buttons. The toaster will automatically defrost your food and then toast it in one easy step. The button will light up when pressed.
3. **Lighter/Darker Knob** – Turn the knob to select how dark you would like your food toasted; 1 is lightest, 7 is darkest.
4. **Cancel Button** – Press the cancel button to pop the food out of the bread slots and stop the toasting process.
5. **Extra-Wide Bread Slots** – Wide slots (1.3 inches) allow you to toast bagels, thickly-sliced homemade bread and English muffins.
6. **Dual, Auto-Adjusting, Stainless Steel Bread Guides** – Automatically adjust to bread thickness for even toasting.
7. **Bread Carriage Lever** – Press to begin toasting your food.
8. **Toast Lift** – Press up on the bread carriage lever to lift food out of the bread slots. Convenient and safe way of retrieving the smallest of toasted items.
9. **Fully Removable Crumb Tray** – For convenient and easy cleanup.
10. **Retractable Cord Storage** – Allows you to store extra cord in the toaster and out of the way.
11. **Power Cord**

## Preparing To Use Your Toaster for the First Time

If you are using your toaster for the first time, please be sure to:

1. Remove any stickers from the surface of the toaster and wipe the outside of your toaster with a damp cloth.
2. Insert the Removable Crumb Tray into the crumb tray slot.
3. Make certain that the Bread Carriage Lever is in the uppermost position before plugging in the toaster's power cord.
4. Select a location for the toaster. The location should be:
  - A flat, heat-resistant, non-flammable surface.
  - At least three inches away from walls or the back of countertops.
  - At least one foot away from any cabinet or shelving that may be above the toaster.
  - Away from flammable materials, such as curtains and wall fabric.
  - Away from a gas stove flame or electric element.
5. Plug the Power Cord into 120 Volt, 60 Hz AC outlet.
6. Without inserting any food into the bread slots, push the Bread Lever all the way down until it locks. (*The carriage will not lock if the toaster is not plugged into a power source.*) The first toasting process will preheat the new elements and burn off any dust which may have accumulated during storage or manufacturing. It is normal for this burn off to create an odor. Your OSTER® Toaster is now ready for use.

## 1 Year Limited Warranty

Sunbeam Products, Inc. doing business as Jarden Consumer Solutions or if in Canada, Sunbeam Corporation (Canada) Limited doing business as Jarden Consumer Solutions (collectively “JCS”) warrants that for a period of one year from the date of purchase, this product will be free from defects in material and workmanship. JCS, at its option, will repair or replace this product or any component of the product found to be defective during the warranty period. Replacement will be made with a new or remanufactured product or component. If the product is no longer available, replacement may be made with a similar product of equal or greater value. This is your exclusive warranty. Do NOT attempt to repair or adjust any electrical or mechanical functions on this product. Doing so will void this warranty.

This warranty is valid for the original retail purchaser from the date of initial retail purchase and is not transferable. Keep the original sales receipt. Proof of purchase is required to obtain warranty performance. JCS dealers, service centers, or retail stores selling JCS products do not have the right to alter, modify or any way change the terms and conditions of this warranty.

This warranty does not cover normal wear of parts or damage resulting from any of the following: negligent use or misuse of the product, use on improper voltage or current, use contrary to the operating instructions, disassembly, repair or alteration by anyone other than JCS or an authorized JCS service center. Further, the warranty does not cover: Acts of God, such as fire, flood, hurricanes and tornadoes.

#### What are the limits on JCS's Liability?

JCS shall not be liable for any incidental or consequential damages caused by the breach of any express, implied or statutory warranty or condition.

Except to the extent prohibited by applicable law, any implied warranty or condition of merchantability or fitness for a particular purpose is limited in duration to the duration of the above warranty.

JCS disclaims all other warranties, conditions or representations, express, implied, statutory or otherwise.

JCS shall not be liable for any damages of any kind resulting from the purchase, use or misuse of, or inability to use the product including incidental, special, consequential or similar damages or loss of profits, or for any breach of contract, fundamental or otherwise, or for any claim brought against purchaser by any other party.

Some provinces, states or jurisdictions do not allow the exclusion or limitation of incidental or consequential damages or limitations on how long an implied warranty lasts, so the above limitations or exclusion may not apply to you.

This warranty gives you specific legal rights, and you may also have other rights that vary from province to province, state to state or jurisdiction to jurisdiction.

#### How to Obtain Warranty Service

##### In the U.S.A.

If you have any question regarding this warranty or would like to obtain warranty service, please call 1-800-334-0759 and a convenient service center address will be provided to you.

##### In Canada

If you have any question regarding this warranty or would like to obtain warranty service, please call 1 800 1-800-667-8623 and a convenient service center address will be provided to you.

In the U.S.A., this warranty is offered by Sunbeam Products, Inc. doing business as Jarden Consumer Solutions located in Boca Raton, Florida 33431. In Canada, this warranty is offered by Sunbeam Corporation (Canada) Limited doing business as Jarden Consumer Solutions, located at 20 B Hereford Street, Brampton, Ontario L6Y 0M1. If you have any other problem or claim in connection with this product, please write our Consumer Service Department.

PLEASE DO NOT RETURN THIS PRODUCT TO ANY OF THESE ADDRESSES OR TO THE PLACE OF PURCHASE



User Manual Toaster

Manual de Instrucciones Tostadora

MODEL MODELO TSSTR12SST-FB





## Free Manuals Download Website

<http://myh66.com>

<http://usermanuals.us>

<http://www.somanuals.com>

<http://www.4manuals.cc>

<http://www.manual-lib.com>

<http://www.404manual.com>

<http://www.luxmanual.com>

<http://aubethermostatmanual.com>

Golf course search by state

<http://golfingnear.com>

Email search by domain

<http://emailbydomain.com>

Auto manuals search

<http://auto.somanuals.com>

TV manuals search

<http://tv.somanuals.com>