



**Models / Modelos**  
**TSSTTRDFL2**

User Manual  
**Toaster**

Manual del usuario  
**Tostadora**



***It's what we're made of.***

For over 100 years, the Oster® brand has been defining innovation, power and durability. Some say our line of uniquely designed and built appliances last forever. The Oster® Designed for Life™ Series is the next generation of innovative products that are professionally designed, timelessly styled and backed by legendary performance.

[www.oster.com](http://www.oster.com)

# IMPORTANT SAFEGUARDS

When using electrical appliances, basic safety precautions should always be followed including the following:

- **READ ALL INSTRUCTIONS, PRODUCT LABELS AND WARNINGS BEFORE USING THE TOASTER.**
- Press Cancel button and unplug toaster from outlet when not in use and before cleaning. Allow to cool before putting on or taking off parts.
- Do not touch hot surfaces. Metal parts can become hot. Use handles or knobs.
- To prevent electric shock, unplug before cleaning.
- To protect against electrical hazards, do not immerse cord, plug or toaster in water or other liquids.
- Do not let cord hang over edge of table or counter or touch hot surfaces.
- Never leave appliance unattended when in use.
- Young children or incapacitated persons should not use this appliance. Supervise older children closely.
- Do not operate or place the toaster:
  - On non-heat-resistant or flammable surfaces.
  - On or near a hot gas or electric burner.
  - In a heated oven or microwave oven.
- To reduce the risk of fire or electric shock, do not insert:
  - Utensils or foil-covered or oversized foods into the toaster.
  - Fingers or metallic utensils into slots when toaster is plugged in.
- Do not attempt to dislodge food when toaster is plugged in.
- Do not use foods that will drip coatings or fillings when heated. Such accumulations inside the toaster create unsanitary conditions and the possibility of fire or toaster malfunction. Clean out accumulated crumbs frequently to avoid risk of fire or toaster malfunction. Do not operate the toaster without the crumb tray being replaced in its correct position.
- Do not operate any appliance with a damaged cord or plug or after the appliance has malfunctioned or has been damaged in any manner. Return appliance to the nearest authorized service facility for examination, repair, or adjustment.
- Do not use the toaster outdoors or for commercial purposes; this appliance is for household use only.
- Use this appliance only for its intended use as described in this manual. Do not use attachments that are not recommended by the manufacturer; they may cause injury.
- A fire may occur if toasters are covered or touching flammable material, including curtains, draperies, walls and the like when in operation.
- To connect or disconnect appliance, press cancel button. Toast lift lever must be in the normal up position before attaching or disconnecting the plug from the wall outlet.

# SAVE THESE INSTRUCTIONS

## THIS UNIT IS FOR HOUSEHOLD USE ONLY

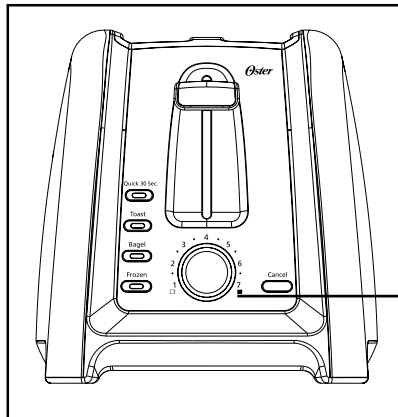
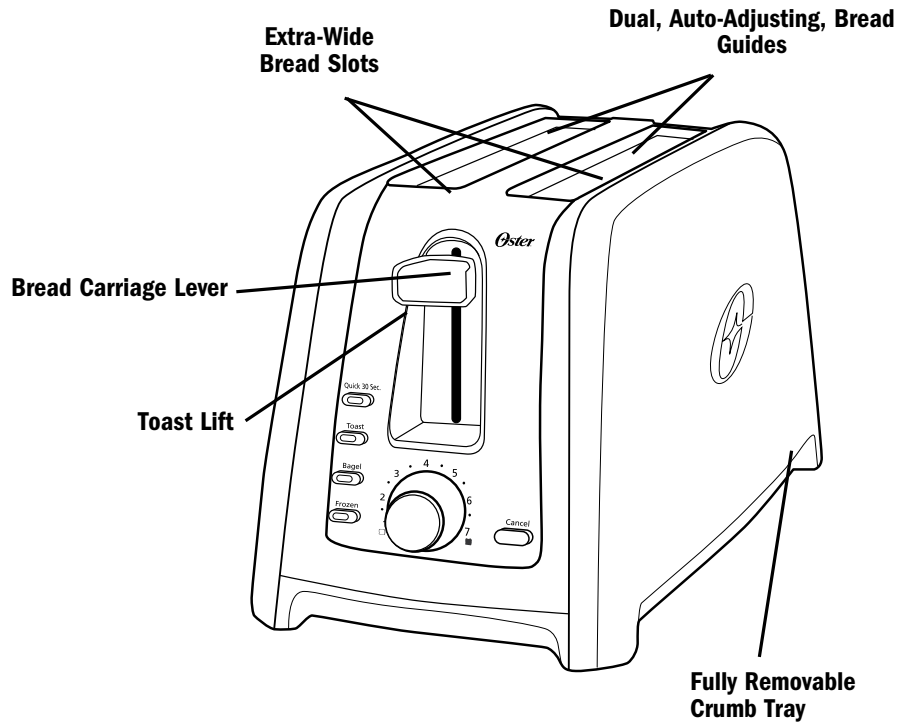
### SHORT POWER SUPPLY CORD INSTRUCTIONS

A short power-supply cord is provided to reduce the risk resulting from becoming entangled in or tripping over a longer cord. An extension cord may be used if care is exercised in its use. If an extension cord is used, the electrical rating of the cord must be at least as great as the electrical rating of the appliance. The extension cord should be arranged so that it will not drape over the countertop or tabletop where it can be pulled on by children or tripped over unintentionally.

#### **For Products Purchased in the United States and Canada Only**

To reduce the risk of electrical shock, this appliance has a polarized plug (*one blade is wider than the other*). This plug fits a polarized outlet only one way; if the plug does not fit fully into the outlet, reverse the plug. If it still does not fit, contact a qualified electrician. Do not attempt to modify the plug in any way.

# Learning About Your Toaster



**Lighter/Darker Knob** – Turn the knob to select how dark you would like your food toasted; 1 is lightest, 7 is darkest.

## Preparing To Use Your Toaster for the First Time

If you are using your toaster for the first time, please be sure to:

- Remove any stickers from the surface of the toaster and wipe the outside of your toaster with a damp cloth.
- Insert the Removable Crumb Tray into the crumb tray slot.
- Make certain that the Bread Carriage Lever is in the uppermost position before plugging in the toaster's power cord.
- Select a location for the toaster. The location should be:
  - A flat, heat-resistant, non-flammable surface.
  - At least three inches away from walls or the back of countertops.
  - At least one foot away from any cabinet or shelving that may be above the toaster.
  - Away from flammable materials, such as curtains and wall fabric.
  - Away from a gas stove flame or electric element.
- Plug the Power Cord into 120 Volt, 60 Hz AC outlet.
- Plug in toaster without inserting any food into the bread slots, push the Bread Lever all the way down until it locks. (The carriage will not lock if the toaster is not plugged into a power source.) The first toasting process will preheat the new elements and burn off any dust which may have accumulated during storage or manufacturing. It is normal for this burn off to create an odor.

## Using Your Toaster

### **Inserting the food into the bread slots and toasting:**

- Most types of breads and pastries can be toasted, such as bagels, tea cakes, thickly sliced breads, English muffins, etc. Slices should not, however, be so thick as to jam the bread slots.
- When toasting two slices at a time, the slices should be of equal size and freshness to ensure even toasting.
- When toasting two slices of bread, place one slice in the center of each bread slot.
- When toasting one slice of bread, place the slice in the center of either bread slot.

### To Toast Your Food:

- Insert the food into the bread slots.
- Press the Toast Button. The Toast light will illuminate to indicate your selection.
- Press the Bread Carriage Lever until it locks.
- After the desired level of darkness has been reached, the food will pop up automatically. The Bread Carriage Lever will return to the up position and the indicator lights will turn off.
- Carefully remove the toasted food from the bread slots.

### To Toast Your Bagel:

- Insert the bagel into the bread slots.
- Press the Bagel button. The Bagel light will illuminate to indicate your selection.
- Press the Bread Carriage Lever until it locks.
- After the desired level of darkness has been reached, the food will pop up automatically. The Bread Carriage Lever will return to the up position and the indicator lights will turn off.
- Carefully remove the toasted bagel from the bread slots.

### To Defrost Your Food:

- Insert the food into the bread slots.
- Press the Frozen button. The Frozen light will illuminate to indicate your selection. If desired, press food select (Toast or Bagel). If no food is selected the Toaster will operate in Toast mode. The Toaster will defrost and then toast your food.
- Press the Bread Carriage Lever until it locks.
- After the desired level of darkness has been reached, the food will pop up automatically. The Bread Carriage Lever will return to the up position and the indicator lights will turn off.
- Carefully remove the toasted food from the bread slots.

### To Reheat Your Food/Quick 30 Seconds:

- Insert the food into the bread slots.
- Press the Quick 30 Seconds button. The Quick 30 Seconds light will illuminate to indicate your selection. If desired, press food select (Toast or Bagel). If no food is selected the Toaster will operate in Toast mode. The Toaster will reheat your food for additional toasting time (30 seconds, time may vary plus or minus 5 seconds) so you can brown your toast a little bit more.
- Press the Bread Carriage Lever until it locks.

### NOTES:

- The Auto-Adjusting Bread Guides will automatically center the food for even browning.
- Toast is the default setting if no food or function select buttons are chosen.
- To use the Toast Lift, press up on the bread carriage lever to lift food out of the bread slots. It is a convenient and safe way of retrieving

### Using the Cancel Function:

Press the Cancel button. The toaster will stop toasting immediately and the food will pop up automatically.

## GENERAL INFORMATION

**Tip:** Your toaster has been designed for optimum toast balance. Some elements on the inside of the toaster may glow more brightly than others when in use. This is part of normal toaster operation.

**To remove food jammed in the bread slots:** unplug the toaster and remove the food once the toaster has cooled down.

**Do not** place food on top of toaster while it is warming.



**WARNING:** Empty the Crumb Tray frequently. Crumbs will accumulate in the Crumb Tray and could catch fire if not emptied periodically.

## Cleaning Your Toaster

After use and before cleaning, press cancel button and unplug the toaster Power Cord from the power outlet and wait for the toaster to cool.

- Wipe the outside of the toaster with a damp cloth and then dry it with another cloth or paper towel. Do not use abrasive cleaners; they will damage the toaster's finish.
- Lightly tap the sides of the toaster to dislodge any crumbs caught in the toast chamber. Remove the Crumb Tray and empty it. Wipe the tray clean with a damp cloth or place it in the top rack of your dishwasher for cleaning. Be certain to put the Crumb Tray back into the toaster before using the toaster again.
- Wipe the surface on the top of the bread slots with a damp cloth and dry it with another cloth or paper towel.
- Do not immerse Toaster in liquids.



**WARNING:** Never insert your fingers or metallic utensils into the bread slots



**WARNING:** Toasted food can be very hot. Handle with care.

## **5 Year Satisfaction Guarantee**

Sunbeam Products, Inc. doing business as Jarden Consumer Solutions or if in Canada, Sunbeam Corporation (Canada) Limited doing business as Jarden Consumer Solutions (collectively "JCS") warrants that for a period of five years from the date of purchase, this product will be free from defects in material and workmanship. JCS, at its option, will repair or replace this product or any component of the product found to be defective during the guarantee period. Replacement will be made with a new or remanufactured product or component. If the product is no longer available, replacement may be made with a similar product of equal or greater value. This is your exclusive guarantee. Do NOT attempt to repair or adjust any electrical or mechanical functions on this product. Doing so will void this guarantee. This guarantee is valid for the original retail purchaser from the date of initial retail purchase and is not transferable. Keep the original sales receipt. Proof of purchase is required to obtain satisfaction guarantee performance. JCS dealers, service centers, or retail stores selling JCS products do not have the right to alter, modify or any way change the terms and conditions of this guarantee.

This guarantee does not cover damage resulting from any of the following: negligent use or misuse of the product, use on improper voltage or current, use contrary to the operating instructions, disassembly, repair or alteration by anyone other than JCS or an authorized JCS service center. Further, the guarantee does not cover: Acts of God, such as fire, flood, hurricanes and tornadoes.

### **What are the limits on JCS's Liability?**

JCS shall not be liable for any incidental or consequential damages caused by the breach of any express, implied or statutory guarantee or condition. Except to the extent prohibited by applicable law, any implied guarantee or condition of merchantability or fitness for a particular purpose is limited in duration to the duration of the above guarantee. JCS disclaims all other guarantees, conditions or representations, express, implied, statutory or otherwise. JCS shall not be liable for any damages of any kind resulting from the purchase, use or misuse of, or inability to use the product including incidental, special, consequential or similar damages or loss of profits, or for any breach of contract, fundamental or otherwise, or for any claim brought against purchaser by any other party.

Some provinces, states or jurisdictions do not allow the exclusion or limitation of incidental or consequential damages or limitations on how long an implied guarantee lasts, so the above limitations or exclusion may not apply to you. This guarantee gives you specific legal rights, and you may also have other rights that vary from province to province, state to state or jurisdiction to jurisdiction.

### **How to Obtain Satisfaction Guarantee Service**

#### **In the U.S.A.**

If you have any question regarding this guarantee or would like to obtain guarantee service, please call 1-800-334-0759 and a convenient service center address will be provided to you.

#### **In Canada**

If you have any question regarding this guarantee or would like to obtain guarantee service, please call 1-800-667-8623 and a convenient service center address will be provided to you.

In the U.S.A., this guarantee is offered by Sunbeam Products, Inc. doing business as Jarden Consumer Solutions located in Boca Raton, Florida 33431. In Canada, this guarantee is offered by Sunbeam Corporation (Canada) Limited, located at 20 B Hereford Street, Brampton, Ontario L6Y 0M1. If you have any other problem or claim in connection with this product, please write to the Consumer Service Department.

**PLEASE DO NOT RETURN THIS PRODUCT TO ANY OF THESE ADDRESSES OR TO THE PLACE OF PURCHASE.**

# PRECAUCIONES IMPORTANTES

Cuando se usen aparatos eléctricos, siempre se deben seguir precauciones básicas de seguridad, entre las que se incluyen las siguientes:

- **LEA TODAS LAS INSTRUCCIONES, LAS ETIQUETAS DEL PRODUCTO Y LAS ADVERTENCIAS ANTES DE USAR EL TOSTADOR.**
- Presione el botón de cancelar y desenchufe la tostadora del tomacorrientes cuando no se encuentre en servicio y antes de limpiarla. Antes de poner o quitar alguna pieza, espere hasta que la tostadora se enfríe.
- No toque las superficies calientes. Las piezas de metal pueden volverse calientes. Utilice las asideras o las perillas.
- Para evitar descarga eléctrica, desenchufe la tostadora antes de limpiarla.
- No permita que el cordón cuelgue sobre el borde de la mesa o del mostrador, ni que entre en contacto con las superficies calientes.
- Jamás permita que los enseres queden desatendidos durante el uso.
- Los niños y las personas incapacitadas no deben hacer uso de estos enseres. Supervise cuidadosamente a los niños de mayor edad.
- No opere ni coloque la tostadora:
  - Sobre superficies que no sean termorresistentes ni inflamables.
  - En o cerca de una hornalla eléctrica o a gas caliente.
  - Dentro de un horno calentado o microondas.
- Para reducir el riesgo de los incendios o los choques eléctricos, no inserte:
  - Utensilios ni alimentos cubiertos en papel aluminio, ni de grandes dimensiones, en la tostadora.
  - Los dedos ni utensilios de metal en la tostadora cuando el aparato se encuentre enchufado.
- No intente desalojar alimentos cuando la tostadora esté enchufada.
- No utilice alimentos cuyas cubiertas o rellenos puedan gotear a consecuencia del calentamiento. Tales acumulaciones dentro de la tostadora crean condiciones poco sanitarias así como la posibilidad de incendios o malfuncionamientos de la tostadora. Elimine con frecuencia las migas acumuladas para evitar el riesgo de incendios o el malfuncionamiento del tostadora.  
No opere la tostadora sin haber antes devuelto la bandeja para migas a su posición correcta.
- No opere ningún aparato que tenga un cordón o enchufe dañado, o después de que se haya producido un malfuncionamiento en el aparato o que haya sido dañado en cualquier forma. Devuelva la tostadora al centro de servicio autorizado de Sunbeam para su inspección, ajuste, reparación o cualquier ajuste electromecánico.

- No utilice la tostadora a la intemperie o para usos comerciales: esta tostadora es para el uso doméstico exclusivamente.
- Sólo utilice este aparato para su uso original conforme a lo descrito en este manual; no utilice aditamentos que no hayan sido recomendados por el fabricante, ya que pueden producir lesionamientos.
- Puede producirse un incendio si se cubre la tostadora o si entra en contacto con material inflamable, incluyendo cortinas, tapicería, paredes y afines mientras que se encuentre funcionando.
- Para conectar o desconectar el aparato, apriete el botón “cancel”. El mando elevador de tostadas debe estar en la posición elevada antes de conectar o desconectar el enchufe de la pared.

## GUARDE ESTAS INSTRUCCIONES

### ESTE APARATO ES SÓLO PARA USO DOMÉSTICO

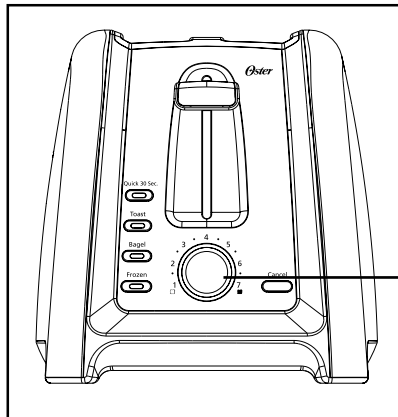
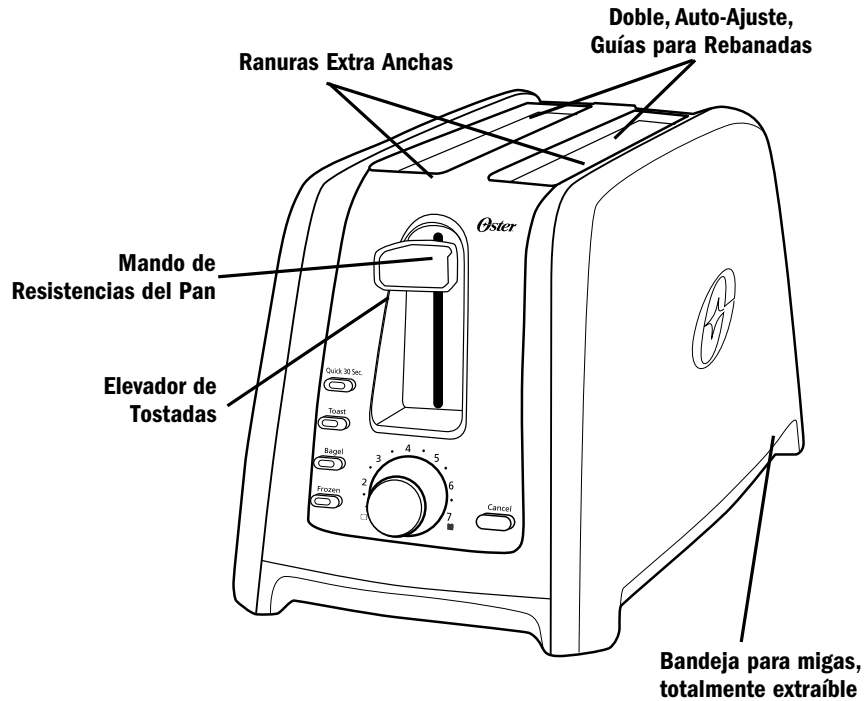
### INSTRUCCIONES PARA EL CORDÓN ELÉCTRICO CORTO

Se proporciona un cordón eléctrico corto para reducir el posible riesgo de engancharse o tropezar con un cordón más largo. Se puede usar un cordón de alargue si se tiene cuidado. Si se usa un cordón de alargue, la clasificación eléctrica del cordón debe ser al menos tan grande como la clasificación eléctrica del aparato. El cordón de alargue se debe colocar de manera que no cuelgue del mostrador o de la mesa en donde los niños puedan tirar del mismo o tropezarse involuntariamente.

### PARA PRODUCTOS COMPRADOS SÓLO EN LOS ESTADOS UNIDOS Y EN CANADÁ

Para reducir el riesgo de descarga eléctrica, este aparato tiene una ficha polarizada (una cuchilla de contacto es más ancha que la otra). Esta ficha sólo encaja en un tomacorriente polarizado de una forma, si la ficha no encaja perfectamente bien en el tomacorriente, inviértala. Si aún no encaja bien, comuníquese con un electricista competente. No intente cambiar la ficha de ninguna forma.

# Preparándose para Usar Su Tostadora por Primera Vez



**Selector y Piloto de Tostadora** – Gire la perilla para seleccionar el grado de oscuridad que le gustaría para su comida tostada, 1 es más ligero, 7 es el más oscuro.

## Preparando su tostador para usarlo por primera vez

Si usted estaa usando su tostador por primera vez, por favor asegúrese de:

- Remover toda etiqueta de la superficie del tostador y limpie el exterior del tostador con una tela húmeda.
- Colocar la Bandeja para Migajas Desmontable en la ranura para la bandeja para migajas.
- Que la Palanca del levantador de Pan esté en la posición de arriba antes de enchufar el cordón eléctrico de la tostadora.
- Elegir una ubicación para la tostadora. La ubicación debe:
  - Ser una superficie plana, resistente al calor, no inflamable
  - Estar por lo menos a tres pulgadas de la pared o de la parte posterior del closet de cocina
  - Estar por lo menos a un pie de cualquier closet o repisa que pueda estar por encima del tostador.
  - Estar lejos de materiales inflamables como cortinas o telas de pared.
  - Estar lejos de una llama de cocina a gas o de un elemento térmico.
- Enchufe el cordón eléctrico en un tomacorriente de 120 voltios AC, 60 Hertz.
- Enchufe el tostador sin colocar ningún alimento en las cavidades para pan. Empuje la palanca para Pan hasta abajo hasta que se asegure. (El levantador no se asegurará si la tostadora no está enchufada a la corriente). El primer proceso de tostado precalentará los elementos térmicos nuevos y quemará cualquier polvo que puede haberse acumulado durante el almacenaje o fabricación. Es normal que éste quemado produzca un olor.

## Usando su Tostador

### Coloque la comida en las cavidades para pan y tueste:

- La mayoría de panes y pasteles se pueden tostar, tales como bagels, queques, panes en tajadas anchas, panecillos ingleses, etc. Las tajadas no deben ser demasiado anchas de modo que se atoren en las cavidades para pan.
- Cuando tueste dos tajadas a la vez, ambas tajadas deben ser del mismo tamaño y frescura para asegurar un tostado parejo.
- Cuando tueste dos tajadas de pan, coloque las tajadas en el centro de cada cavidad.
- Cuando tueste una tajada de pan, coloque la tajada en el centro de cualquiera de las cavidades.



### Para tostar pan:

- Coloque el pan rebanado en las ranuras.
- Oprima el botón de Tostada. La luz de Tostada se iluminará para indicar su selección.
- Empuje hacia abajo la Palanca Portadora de Pan hasta que se traben en su sitio.
- Luego de alcanzar el nivel de tostado escogido, el pan se levantará automáticamente. La Palanca Portadora de Pan volverá a la posición superior y la luces indicadoras se apagarán.
- Retire con cuidado el pan tostado de las ranuras.

### Para tostar Roscas (Bagel):

- Coloque las roscas en las ranuras.
- Oprima el botón de Roscas (Bagel). La luz de Roscas se iluminará para indicar su selección.
- Empuje hacia abajo la Palanca Portadora de Pan hasta que se traben en su sitio.
- Luego de alcanzar el nivel de tostado escogido, las roscas se levantarán automáticamente. La Palanca Portadora de Pan volverá a la posición superior y la luces indicadoras se apagarán.
- Retire con cuidado las roscas tostadas de las ranuras.

### Para descongelar alimentos:

- Coloque los alimentos en las ranuras.
- Oprima el botón de Descongelar. La luz de Descongelar se iluminará para indicar su selección. Si lo desea puede seleccionar entre Tostada o Rosca. Si no lo hace la Tostadora activará la función de Tostada. La Tostadora primero descongela y luego tostará su comida.
- Empuje hacia abajo la Palanca Portadora de Pan hasta que se traben en su sitio.
- Luego de alcanzar el nivel de tostado escogido, los alimentos se levantarán automáticamente. La Palanca Portadora de Pan volverá a la posición superior y las luces indicadora se apagarán.
- Retire con cuidado las tostadas de las ranuras.

### Para recalentar alimentos usando la función para calentamiento rápido de 30 segundos:

- Coloque los alimentos en las ranuras.
- Oprima el botón de calentamiento rápido de 30 segundos. La luz de Recalentar se iluminará para indicar su selección. Si lo desea puede seleccionar entre Tostada o Rosca. Si no lo hace la Tostadora activará la función de Tostada. La Tostadora recalentará su comida por un tiempo adicional de 30 segundos (el tiempo podrá variar más o menos 5 segundos) para tostar un poco más.
- Empuje hacia abajo la Palanca Portadora de Pan hasta que se traben en su sitio.



**ADVERTENCIA:** Jamás inserte los dedos ni utensilios de metal en las ranuras.

### NOTAS:

- Las Guías de Auto-Ajuste para Rebanadas automáticamente centrarán la comida para alcanzar un tostado uniforme.
- Tostada es la selección por excelencia si no se selecciona ningún tipo de botón de alimentos o función.
- Para utilizar el Elevador de Tostadas, presione hacia arriba la Palanca Portadora de Pan para levantar los alimentos fuera de las ranuras. Es una manera conveniente y segura de recuperar los trozos más pequeños.

### Usando la función Cancelar:

Presione el botón de cancelar. El tostador parará de tostar inmediatamente y la comida saltará automáticamente.

## INFORMACIÓN GENERAL

**Consejo:** Su tostador ha sido diseñado para un tostado óptimo balanceado. Algunos elementos térmicos en el interior del tostador pueden que se iluminen con mayor intensidad que otros cuando está en uso. Esto es parte normal de la operación del tostador.

### Para retirar la comida atorada en las cavidades para pan:

Desenchufe el tostador y retire la comida una vez que el tostador se haya enfriado.

**No** coloque comida encima del tostador mientras éste está calentando.



**¡CUIDADO!** Vacíe la bandeja para migajas frecuentemente. Las migajas se pueden acumular en la Bandeja para Migajas y podrían encenderse si no se vacían periódicamente.

### Limpiando su tostador

Presione el botón de cancelar y desenchufe el cordón eléctrico del tostador del tomacorriente eléctrico después de usar y antes de limpiar, y espere a que el tostador se enfríe.

- Limpie el exterior con una tela húmeda y séquelo con otra tela o papel toalla. No use limpiadores abrasivos ya que dañarán el acabado de la tostadora.
- Golpee los lados del tostador ligeramente para soltar cualquier miga que haya quedado atrapada en la cámara de tostado. Retire la bandeja para migas y vacíela. Limpie la bandeja con una tela húmeda o colóquela en la repisa superior de su lavaplatos para lavarse. Asegúrese de colocar la bandeja para migajas de vuelta en el tostador antes de usarlo nuevamente.
- Limpie la superficie en la parte superior de las cavidades para pan con una tela húmeda y séquelo con otra tela o papel toalla.
- No sumerja la tostadora en ningún líquido.



**ADVERTENCIA:** Los alimentos tostados pueden estar sumamente calientes. Manéjelos con cuidado.



## **5 años de Garantía Satisfactoria**

Sunbeam Products, Inc. operando bajo el nombre de Jarden Consumer Solutions, o en Canadá, Sunbeam Corporation (Canada) Limited operando bajo el nombre de Jarden Consumer Solutions, (en forma conjunta, "JCS"), garantiza que por un período de cinco años a partir de la fecha de compra, este producto estará libre de defectos de materiales y mano de obra. JCS, a su elección, reparará o reemplazará este producto o cualquier componente del mismo que presente defectos durante el período de garantía. El reemplazo se realizará por un producto o componente nuevo o reparado. Si el producto ya no estuviera disponible, se lo reemplazará por un producto similar de valor igual o superior.

Ésta es su garantía exclusiva. No intente reparar o ajustar ninguna función eléctrica o mecánica de este producto. Al hacerlo eliminará ésta garantía.

La garantía es válida para el comprador minorista original a partir de la fecha de compra inicial y la misma no es transferible. Conserve el recibo de compra original. Para solicitar servicio en garantía satisfactoria se requiere presentar un recibo de compra. Los agentes y centros de servicio de JCS o las tiendas minoristas que venden productos de JCS no tienen derecho a alterar, modificar ni cambiar de ningún otro modo los términos y las condiciones de esta garantía.

Esta garantía no cubre los daños que se produzcan como resultado de uso negligente o mal uso del producto, uso de voltaje incorrecto o corriente inapropiada, uso contrario a las instrucciones operativas, y desarme, reparación o alteración por parte de un tercero ajeno a JCS o a un Centro de Servicio Autorizado por JCS. Asimismo, la garantía no cubre actos fortuitos tales como incendios, inundaciones, huracanes y tornados.

### **¿Cuál es el límite de responsabilidad de JCS?**

JCS no será responsable de daños incidentales o emergentes causados por el incumplimiento de alguna garantía o condición expresa, implícita o legal.

Excepto en la medida en que lo prohíba la ley aplicable, cualquier garantía o condición implícita de comerciabilidad o aptitud para un fin determinado se limita, en cuanto a su duración, al plazo de la garantía antes mencionada.

JCS queda exenta de todas las otras garantías, condiciones o manifestaciones, expresa, implícita, legal o de cualquier otra naturaleza.

JCS no será responsable de ningún tipo de daño que resulte de la compra, uso o mal uso del producto, o por la imposibilidad de usar el producto, incluidos los daños incidentales, especiales, emergentes o similares, o la pérdida de ganancias, ni de ningún incumplimiento contractual, sea de una obligación esencial o de otra naturaleza, ni de ningún reclamo iniciado contra el comprador por un tercero.

Algunas provincias, estados o jurisdicciones no permiten la exclusión o limitación de los daños incidentales o emergentes ni las limitaciones a la duración de las garantías implícitas, de modo que es posible que la exclusión o las limitaciones antes mencionadas no se apliquen en su caso.

Esta garantía le otorga derechos legales específicos y es posible que usted tenga otros derechos que varían de un estado, provincia o jurisdicción a otro.

### **Cómo solicitar el servicio en garantía satisfactoria**

#### **En los Estados Unidos**

Si tiene alguna pregunta sobre esta garantía o desea recibir servicio de garantía, llame al 1-800-334-0759 y podrá obtener la dirección del centro de servicio que le resulte más conveniente

#### **En Canadá**

Si tiene alguna pregunta sobre esta garantía o desea recibir servicio de garantía, llame al 1-800-667-8623 y podrá obtener la dirección del centro de servicio que le resulte más conveniente.

En los Estados Unidos, esta garantía es ofrecida por Sunbeam Products, Inc. operando bajo el nombre de Jarden Consumer Solutions, Boca Ratón, Florida 33431. En Canadá, esta garantía es ofrecida por Sunbeam Corporation (Canada) Limited operando bajo el nombre de Jarden Consumer Solutions, 20 B Hereford Street, Brampton, Ontario L6Y 0M1. Si usted tiene otro problema o reclamo en conexión con este producto, por favor escriba al Departamento de Servicio al Consumidor.

**POR FAVOR NO DEVUELVA ESTE PRODUCTO A NINGUNA DE ESTAS DIRECCIONES NI AL LUGAR DE COMPRA.**





For product questions contact:  
Jarden Customer Service

USA : 1.800.334.0759  
Canada : 1.800.667.8623  
[www.oster.com](http://www.oster.com)

© 2012 Sunbeam Products, Inc. doing business as Jarden Consumer Solutions.  
All rights reserved. Distributed by Sunbeam Products, Inc. doing business as  
Jarden Consumer Solutions, Boca Raton, Florida 33431.

Para preguntas sobre los productos llama:  
Jarden Customer Service  
EE.UU. : 1.800.334.0759  
Canadá : 1.800.667.8623  
[www.oster.com](http://www.oster.com)

© 2012 Sunbeam Products, Inc. operando bajo el nombre de Jarden Consumer Solutions.  
Todos los derechos reservados. Distribuido por Sunbeam Products, Inc. operando bajo el  
nombre de Jarden Consumer Solutions, Boca Raton, Florida 33431.

## Free Manuals Download Website

<http://myh66.com>

<http://usermanuals.us>

<http://www.somanuals.com>

<http://www.4manuals.cc>

<http://www.manual-lib.com>

<http://www.404manual.com>

<http://www.luxmanual.com>

<http://aubethermostatmanual.com>

Golf course search by state

<http://golfingnear.com>

Email search by domain

<http://emailbydomain.com>

Auto manuals search

<http://auto.somanuals.com>

TV manuals search

<http://tv.somanuals.com>