

Oster®

Oster®

FLIP BELGIAN WAFFLE MAKER
WAFLERA BELGA FLIP

User Guide/ Guía del Usuario:
CKSTWF2502/2500

For product questions contact:

Sunbeam Consumer Service
USA : 1.800.334.0759
Canada : 1.800.667.8623
www.oster.com

©2011 Sunbeam Products, Inc. doing business as
Jarden Consumer Solutions. All rights reserved.
Distributed by Sunbeam Products, Inc. doing business as
Jarden Consumer Solutions, Boca Raton, Florida 33431.

Para preguntas sobre los productos llame:

Sunbeam Consumer Service
EE.UU.: 1.800.334.0759
www.oster.com

©2011 Sunbeam Products, Inc. operando bajo el nombre de
Jarden Consumer Solutions. Todos los derechos reservados.
Distribuido por Sunbeam Products, Inc. operando bajo el
nombre de Jarden Consumer Solutions, Boca Raton, Florida 33431.

SPR-042111-383

Printed in China

P.N. 149129 REV. 1

Impreso en China



Safety
Seguridad



How to use
Cómo usar



Cleaning
Cuidado y Limpieza



Recipes
Recetas



Warranty
Garantía

www.oster.com

IMPORTANT SAFEGUARDS

When using electrical appliances, basic safety precautions should always be followed, including the following:

1. **Read all instructions before using.**
2. Make sure the voltage in your outlet is the same as the voltage indicated on the appliance's rating label.
3. To protect against risk of electric shock, do not immerse the cord, plug or cooking unit in water or any other liquid.
4. Do not touch hot surfaces. Use handles.
5. This appliance should not be used by children.
6. Extreme caution must be exercised when any appliance is used near children.
7. Unplug from wall outlet when not in use and before cleaning. Allow to cool before cleaning or storing this appliance.
8. Never yank the cord to disconnect the cooking unit from the outlet. Instead, grasp the plug and pull to disconnect.
9. Do not operate any appliance if the cord is damaged. Do not use this appliance if the unit malfunctions, if it is dropped or has been damaged in any manner.
10. In order to avoid the risk of an electric shock, never try to repair the Flip Belgian Waffle Maker yourself. Take it to an authorized service center for examination and repair. An incorrect reassembly could present a risk of electric shock when the Flip Belgian Waffle Maker is used.
11. The use of accessories or attachments not recommended by the manufacturer may cause fire, electrical shock or injury.
12. Do not use outdoors or for commercial purposes.
13. Do not use this appliance for purposes other than the one for which it was designed.
14. Do not let the electrical cord hang over the edge of the table or countertop, or touch hot surfaces.
15. Do not place on or near a hot gas or electric burner or heated oven.
16. Use on a heat-resistant, flat level surface only.
17. Use extreme caution when moving any appliance containing hot food, water, oil or other liquids.
18. To disconnect, remove plug from outlet.

19. Always unplug after use. The appliance will remain on unless unplugged.
20. **CAUTION:** This appliance generates heat during use. Proper precautions must be taken to prevent the risk of burns, fire or other damage to persons or property.
21. When using this appliance, provide adequate ventilation above and on all sides for air circulation. Do not allow this appliance to touch curtains, wall coverings, clothing, dish towels or other flammable materials during use.

THIS UNIT IS INTENDED FOR HOUSEHOLD USE ONLY.

This appliance has a polarized alternating current plug (one blade is wider than the other). To reduce the risk of electric shock, as a safety feature, this plug will fit in a polarized outlet only one way. If the plug does not insert fully in the outlet, reverse the plug. If it still fails to fit, contact a qualified electrician.

DO NOT ATTEMPT TO DEFEAT THIS SAFETY FEATURE.

EXTENSION CORD USE

A short power-supply cord is provided to reduce the risk resulting from becoming entangled in or tripping over a longer cord. An extension cord may be used if care is exercised in its use. If an extension cord is used, the electrical rating of the cord must be at least as great as the electrical rating of the appliance. The extension cord should be arranged so that it will not drape over the countertop or tabletop where it can be pulled on by children or tripped over unintentionally.

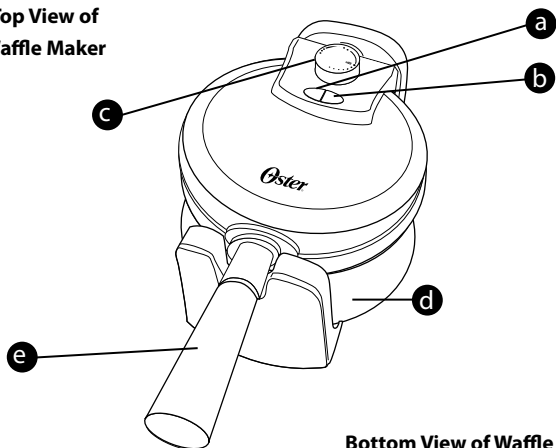
SAVE THESE INSTRUCTIONS

Thank you for purchasing the OSTER® Flip Belgian Waffle Maker. Before you use this product for the first time, please take a few moments to read these instructions and keep it for reference. Pay particular attention to the Safety Instructions provided. Please review the product service and warranty statements. Please do not return to the place of purchase. To learn more about Oster® products, please visit us at www.oster.com or call us at 1-800-334-0759.

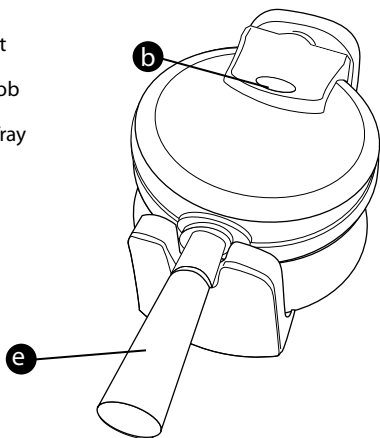


LEARNING ABOUT YOUR FLIP BELGIAN WAFFLE MAKER

**Top View of
Waffle Maker**



**Bottom View of Waffle Maker
Rotated 180 Degrees**



- a** Red Power Light
- b** Green Ready Light
- c** Temp. Control Knob
- d** Removable Drip Tray
- e** Folding Handle



HOW TO:

USING YOUR OSTER® FLIP BELGIAN WAFFLE MAKER

For best results, follow these simple instructions.

When your waffle maker is heated for the first time, it may emit slight smoke or odor. This is normal with many heating appliances. This does not affect the safety of your appliance. However, it may affect the flavor of the first set of waffles prepared in your waffle maker, and it is recommended that you discard these.

Preparing Your Flip Belgian Waffle Maker

- 1** Close the waffle maker and plug it into the wall outlet, you will notice that the red power light and green ready light will turn on. Turn the temperature control knob to the desired setting. It will take approximately 5 to 8 minutes to reach baking temperature. When the green ready light goes on, the waffle maker is ready for use. The green ready light will turn off while heating up.
- 2** Before baking the first waffles of the day, use a pastry brush to lightly coat the top and bottom waffle grids with vegetable oil. A light coating of non-stick cooking spray also works well.

Baking

- 1** When the proper baking temperature is reached, the green light will go on. Once heated up, cycle times will be faster.
- 2** Pour batter onto bottom grid of waffle maker. Ladle just enough batter to fill lower grid so that the peak area of the grid is covered. If necessary, use a spatula to spread the batter in to the corners of the grid. At this point the green light will go off as the baking cycle begins.



- 3 Close waffle maker and rotate unit 180° to the right (clockwise). Do not open for at least 1½ minutes. Opening the lid too soon will cause under-baked waffles to split, making them difficult to remove.
- 4 When the green light goes on again, rotate waffle maker 180° to the left (counterclockwise). Your waffles should be done according to the Waffle Temperature Control setting that you've chosen. If you want them darker, close the lid and continue baking until the desired color is achieved.
- 5 Remove waffles from the grid using non-metallic utensils.
- 6 If additional baking is to be done, close waffle maker to retain heat. Always be sure the green light goes on again before making more waffles.
- 7 If you need to take a short break, close waffle maker to maintain heat. When you return to baking, you will notice that the first waffles will bake faster because extra heat has been allowed to build up.
- 8 Close supervision is necessary when any appliance is being used by or near children.
- 9 When baking is complete, simply unplug the power cord from wall outlet. Leave waffle maker open to cool. Do not clean until unit has cooled.

Waffle Baking Tips

- 1 Set the Waffle Temperature Control to your desired setting. At first, try a setting in the middle. You may later adjust it lower or higher according to your preference. A lower setting produces a lighter colored waffle, while waffles made at a higher setting are darker and crisper. Different waffle batters will also cook up differently. Over time, you will find your perfect setting for the batter you use.
- 2 When preparing waffle batter, do not over mix or waffles will be tough. Stir batter only until large lumps of dry ingredients disappear.

- 3 The optimal amount of batter to produce a full-shaped waffle, without overflowing, will vary with different waffle batters. Pouring batter from a measuring cup will help you gauge how much batter to use each time. Fill bottom grid of waffle maker with enough batter to cover peak areas of the grid.
- 4 For more evenly shaped waffles, spread thick batters to outer edge of grid, using a heat proof rubber spatula or other non-metallic utensil before closing lid.
- 5 Cake-based waffles, such as the Chocolate Waffles are more tender than regular waffles, and may require more care when removing from waffle maker. You may want to break these waffles into halves or quarters before removing. Use a spatula to support waffles when removing from the waffle maker.
- 6 To retain crispness, move baked waffles to a wire cooling rack to prevent steam from accumulating underneath.
- 7 When serving several waffles at one time, keep waffles hot and crisp by placing on a rack in a preheated 200°F oven until ready to serve.
- 8 Already cooled waffles can be re-warmed and re-crisped, individually, by returning to hot waffle maker. Set Waffle Temperature Control to low. Place waffle on grid so grooves match up; close lid and heat for 1 to 2 minutes, watching carefully to prevent burning.
- 9 Baked waffles freeze well. Cool completely on wire rack. Store in plastic freezer bag or in covered container, separating waffles with wax paper. Reheat frozen waffles in toaster oven, oven or toaster until hot and crisp.





CARE & CLEANING

Here are a few easy steps to keep your waffle maker looking and working like new:

- 1 Always unplug the waffle maker and allow it to cool before cleaning. There is no need to disassemble the waffle maker for cleaning. Never immerse the waffle maker in water or place in dishwasher.
- 2 Brush away any loose crumbs from the grooves. Wipe grids clean with a paper towel, absorbing any oil or butter that might be down in the grooves of the grid. You can also wipe grids with a damp cloth. Do not use anything abrasive that can scratch or damage the non-stick coating.
- 3 Wipe the outside of the waffle maker with a damp cloth only. Do not clean the outside with any abrasive scouring pad or steel wool, as this will damage the finish. A little metal polish suitable for stainless steel may be used occasionally on the top housing. Do not immerse in water or any other liquid. Do not place in the dishwasher.
- 4 Should any batter become baked onto the grids, pour a little cooking oil onto the hardened batter. Let sit 5 minutes to soften batter, then wipe off with a paper towel or soft cloth.
- 5 Do not use metal utensils to remove your waffles, they can damage the non-stick surface.



RECIPES

Classic Waffles

- | | |
|-----------------------------|--|
| 1 ½ cups all-purpose flour | 3 large eggs, separated |
| ½ cup cornstarch | 2 tbsp. granulated sugar |
| 2 tbsp. cornmeal (optional) | 1 ¾ cups milk |
| 1 tbsp. baking powder | ½ tsp. pure vanilla extract |
| 1 tsp. salt | ½ cup (1 stick) unsalted butter,
melted |

In large bowl, sift or whisk together flour, cornstarch, cornmeal, baking powder and salt to blend thoroughly; set aside. In mixer bowl, beat egg whites until soft peaks form. Add sugar; continue beating just until stiff peaks form; set aside. Whisk together egg yolks, milk and vanilla. Using rubber spatula, stir milk mixture into flour mixture, blending just until dry ingredients are moistened. (There should still be small lumps; do not over mix.) Stir in melted butter. Fold in beaten egg whites until combined. Pour batter onto hot, greased waffle maker and bake.

Makes about 5 ½ cups batter

Waffle Tip: Cornstarch makes the waffles crisper. If you don't have cornstarch, you could still make great waffles by omitting cornstarch and increasing flour to 2 cups. Bake as directed.

Toasted Pecan & Cranberry Waffles

Sprinkle chopped pecans onto bottom grid of hot, greased waffle maker. Pour batter over pecans. Sprinkle dried cranberries over batter. Close waffle maker and bake as directed.



Classic Buttermilk Waffles

1 ½ cups all-purpose flour	3 large eggs, separated
½ cup cornstarch	3 tbsp. granulated sugar
2 tbsp. cornmeal (optional)	1 ¾ cups buttermilk
1 tbsp. baking powder	½ tsp. pure vanilla extract
¾ tsp. baking soda	½ cup (1 stick) unsalted butter, melted
1 tsp. salt	

In large bowl, sift or whisk together flour, cornstarch, cornmeal, baking powder, baking soda and salt to blend thoroughly; set aside. In mixer bowl, beat egg whites until soft peaks form. Add sugar; continue beating just until stiff peaks form. Set aside. Whisk together egg yolks, buttermilk and vanilla to blend. Using rubber spatula, stir buttermilk mixture into flour mixture, blending until dry ingredients are moistened. (There should still be small lumps; do not over mix.) Stir in melted butter. Fold in beaten egg whites until combined. Pour batter onto hot, greased waffle maker and bake.

Makes about 5 ½ cups batter

Waffle Tip: Cornstarch makes the waffles crisper. If you don't have cornstarch, you could still make great waffles by omitting cornstarch and increasing flour to 2 cups. Bake as directed

Buttermilk Blueberry Waffles

Pour batter onto bottom grid of waffle maker; sprinkle batter with fresh (or defrosted frozen) blueberries. Close waffle maker and bake as directed.

Old World Belgian Waffles (yeast-leavened)

2 ½ cups all-purpose flour	3 large eggs
3 tbsp. granulated sugar	⅓ cup unsalted butter, melted
1 ½ tsp. active dry yeast	1 tsp. pure vanilla extract
1 ¼ tsp. salt	2 cups very warm milk

(120 to 130°F to activate yeast)

In large bowl, whisk together flour, sugar, yeast and salt to blend. In medium bowl, whisk together milk, eggs, butter and vanilla; add to dry ingredients, mixing until large lumps are moistened. Cover; let rise in a warm, draft-free place 1 hour or until light and bubbly. (Or, cover and refrigerate overnight.) Stir down batter; pour onto hot, greased waffle maker and bake.

Makes about 4 ½ cups batter

Whole Wheat Waffles (carb smart with whole grain goodness)

¾ cup whole wheat flour	1 egg, separated
¼ cup wheat bran	¾ cup skim or nonfat milk
2 tbsp. wheat germ	1 tbsp. honey (optional)
1 tsp. baking powder	2 tbsp. unsalted butter, melted
¼ tsp. salt	

In medium bowl, whisk together whole wheat flour, wheat bran, wheat germ, baking powder and salt to blend thoroughly; set aside. In mixer bowl, beat egg white just until stiff peaks form; set aside. Whisk together egg yolk, milk and honey. Using rubber spatula, stir milk mixture into flour mixture, blending just until dry ingredients are moistened. (There should still be small lumps; do not over mix.) Stir in melted butter. Fold in beaten egg white until combined. Pour batter onto hot, greased waffle maker and bake.

Makes about 2 cups batter



Chocolate Waffles

1 ½ cups all-purpose flour
1 ½ tsp. baking powder
½ tsp. salt
½ cup (1 stick) unsalted butter
2 ounces unsweetened chocolate,
cut into chunks

1 cup granulated sugar
1 tsp. vanilla extract
2 large eggs
¾ cup milk

Sift together flour, baking powder and salt to blend thoroughly; set aside. In large microwave-safe bowl, microwave butter and chocolate on HIGH 1 to 1 ¼ minutes or until butter is melted. Stir chocolate until completely melted. Whisk in sugar and vanilla. (Be sure mixture is not hot enough to cook eggs when added; cool slightly, if necessary.) Beat in eggs, 1 at a time. Add flour mixture, in 3 parts, alternately with milk, in 2 parts. (Batter will thicken as chocolate cools.) Pour or spoon batter onto hot, greased waffle maker and bake.

Serve with sweetened, quartered strawberries and whipped cream. For a special treat, top waffles with ice cream, caramel or fudge sauce, whipped cream and toasted nuts.

Makes about 3 cups batter

Double Chocolate Waffles

Stir ⅓ cup mini chocolate morsels into prepared batter; bake as directed.



NOTES





1 Year Limited Warranty

Sunbeam Products, Inc. doing business as Jarden Consumer Solutions or if in Canada, Sunbeam Corporation (Canada) Limited doing business as Jarden Consumer Solutions (collectively "JCS") warrants that for a period of one year from the date of purchase, this product will be free from defects in material and workmanship. JCS, at its option, will repair or replace this product or any component of the product found to be defective during the warranty period. Replacement will be made with a new or remanufactured product or component. If the product is no longer available, replacement may be made with a similar product of equal or greater value. This is your exclusive warranty. Do NOT attempt to repair or adjust any electrical or mechanical functions on this product. Doing so will void this warranty.

This warranty is valid for the original retail purchaser from the date of initial retail purchase and is not transferable. Keep the original sales receipt. Proof of purchase is required to obtain warranty performance. JCS dealers, service centers, or retail stores selling JCS products do not have the right to alter, modify or any way change the terms and conditions of this warranty.

This warranty does not cover normal wear of parts or damage resulting from any of the following: negligent use or misuse of the product, use on improper voltage or current, use contrary to the operating instructions, disassembly, repair or alteration by anyone other than JCS or an authorized JCS service center. Further, the warranty does not cover: Acts of God, such as fire, flood, hurricanes and tornadoes.

What are the limits on JCS's Liability?

JCS shall not be liable for any incidental or consequential damages caused by the breach of any express, implied or statutory warranty or condition.

Except to the extent prohibited by applicable law, any implied warranty or condition of merchantability or fitness for a particular purpose is limited in duration to the duration of the above warranty.

JCS disclaims all other warranties, conditions or representations, express, implied, statutory or otherwise.

JCS shall not be liable for any damages of any kind resulting from the purchase, use or misuse of, or inability to use the product including incidental, special,

consequential or similar damages or loss of profits, or for any breach of contract, fundamental or otherwise, or for any claim brought against purchaser by any other party.

Some provinces, states or jurisdictions do not allow the exclusion or limitation of incidental or consequential damages or limitations on how long an implied warranty lasts, so the above limitations or exclusion may not apply to you.

This warranty gives you specific legal rights, and you may also have other rights that vary from province to province, state to state or jurisdiction to jurisdiction.

How to Obtain Warranty Service

In the U.S.A.

If you have any question regarding this warranty or would like to obtain warranty service, please call 1-800-334-0759 and a convenient service center address will be provided to you.

In Canada

If you have any question regarding this warranty or would like to obtain warranty service, please call 1-800-667-8623 and a convenient service center address will be provided to you.

In the U.S.A., this warranty is offered by Sunbeam Products, Inc. doing business as Jarden Consumer Solutions located in Boca Raton, Florida 33431. In Canada, this warranty is offered by Sunbeam Corporation (Canada) Limited doing business as Jarden Consumer Solutions, located at 20 B Hereford Street, Brampton, Ontario L6Y 0M1. If you have any other problem or claim in connection with this product, please write our Consumer Service Department.

PLEASE DO NOT RETURN THIS PRODUCT TO ANY OF THESE ADDRESSES OR TO THE PLACE OF PURCHASE.



PRECAUCIONES IMPORTANTES

Cuando use aparatos eléctricos, debe seguir una serie de precauciones básicas de seguridad, entre ellas:

1. **Lea todas las instrucciones antes de usar.**
2. Asegúrese que el voltaje del tomacorriente sea el mismo que el voltaje indicado en la placa del aparato
3. Para protegerse contra descargas eléctricas, no sumerja el aparato, el cable o el enchufe en agua o en cualquier otro líquido
4. No toque las superficies calientes. Use guantes
5. Este artefacto no debe ser usado por niños.
6. Cuando cualquier artefacto es utilizado cerca de niños, debe tomarse una extremada precaución.
7. Desenchufe del tomacorriente cuando el aparato no está en uso y antes de limpiar. Permita que se enfríe antes de limpiar o guardar.
8. Nunca hale el cable para desenchufar la unidad del tomacorriente. Más bien, sujete el enchufe y hale para desenchufar.
9. No opere ningún artefacto si el cable está dañado. No utilice este artefacto si la unidad funciona inadecuadamente, se ha caído o ha sido dañado de alguna forma. Para evitar el riesgo de un choque eléctrico, nunca trate de reparar la Waflera usted mismo. Llévela a un centro de servicio autorizado para ser examinada y reparada. Un reensamblamiento incorrecto pudiera ocasionar el riesgo de choques eléctricos cuando se utilice la Waflera.
10. El uso de accesorios o aditamentos no recomendados por el fabricante pueden causar incendios, choques eléctricos o lesiones.
11. No lo utilice a la interperie ni para propósitos comerciales.
12. No utilice este artefacto con otro propósito que no fuera para el cual fue diseñado.
13. No permita que el cable cuelgue sobre el borde de la mesa o tablón, o toque superficies calientes.
14. No lo coloque sobre o cerca de hornillas de estufas de gas o eléctricas u hornos calientes.
15. Utilice sobre superficies planas y resistentes al calor.
16. Tenga extrema precaución cuando mueva cualquier artefacto que contenga alimento caliente, agua, aceite o cualquier otro líquido.
17. Para desconectar, hale el enchufe del tomacorriente.
18. Siempre desenchufe después de usar. El artefacto se mantendrá prendido hasta que sea desenchufado.

19. **PRECAUCIÓN:** Este artefacto genera calor durante su uso. Precauciones apropiadas deben tenerse para prevenir quemaduras, incendios, o cualquier otro tipo de daño a personas o propiedades.
20. Al utilizar este artefacto, debe haber una adecuada ventilación tanto encima como alrededor de la unidad para la circulación de aire. No permita que este artefacto esté cerca de cortinas, papel tapiz, ropa, papel toalla o cualquier otro material que se pueda incendiar durante su uso.

ESTA UNIDAD ESTA DISEÑADA PARA USO DOMÉSTICO ÚNICAMENTE.

Este electrodoméstico tiene un enchufe de corriente alterna polarizado (una pata es más ancha que la otra). Para reducir el riesgo de descarga eléctrica, como una característica de seguridad, este enchufe encajará en un tomacorriente polarizado de una manera únicamente. Si el enchufe no entra completamente en el tomacorriente, voltee el enchufe. Si de esa manera aún no entra, contacte a un electricista calificado.

NO INTENTE IGNORAR ESTA CARACTERÍSTICA DE SEGURIDAD.

USO DE UN CABLE DE EXTENSIÓN

El aparato viene con un cable corto de suministro de potencia para reducir el riesgo que resulta de enredarse o tropezar con un cable más largo. Se puede usar un cable de extensión con precaución. Si se usa un cable de extensión, la calificación eléctrica del cable debe ser al menos igual que la del aparato. El cable de extensión se debe acomodar de manera que no quede colgando sobre la superficie del mostrador o mesa donde los niños lo pueden halar o se puedan tropezar accidentalmente.

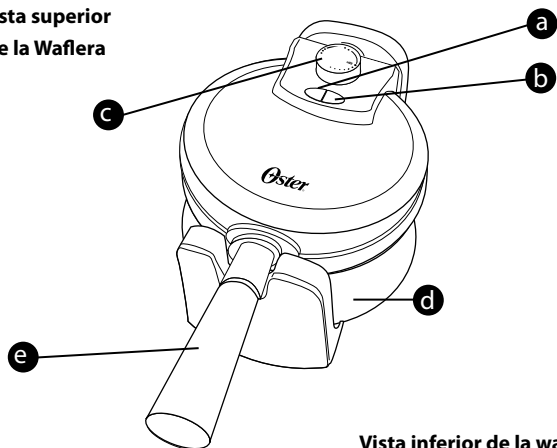
CONSERVE ESTAS INSTRUCCIONES

Gracias por comprar Waflera Flip Belga OSTER®. Antes de usar este producto por primera vez, tómese un momento para leer estas instrucciones y consérvelas para referencia. Preste particular atención a las instrucciones de seguridad que se ofrecen. Revise la declaración de servicio y garantía del producto. Por favor no devuelva al lugar de compra. Para conocer más acerca de los productos de Oster®, visítenos en www.oster.com o llámenos al 1-800-334-0759.

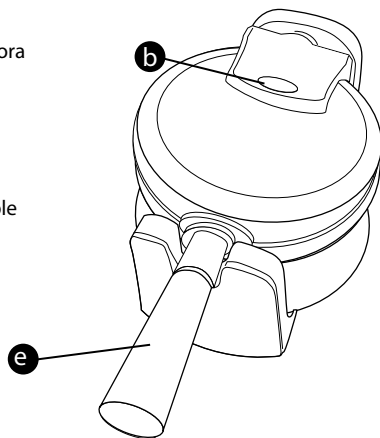


CONOZCA SU WAFLERA BELGA FLIP OSTER®

Vista superior de la Waflera



Vista inferior de la waflera Rotada 180 grados



- a Luz Roja indicadora de Encendido
- b Luz Verde indicadora de Listo
- c Perilla de Control de Temperatura
- d Bandeja de Derrame Removible
- e Mango Plegable



COMO:

UTILIZANDO SU WAFLERA BELGA FLIP OSTER®

Para mejores resultados, siga estas simples indicaciones.

Cuando su waflera es calentada por primera vez, pudiera emitir un leve humo u olor. Esto es normal con muchos artefactos con elementos de calentamiento. Esto no afecta la seguridad de su unidad. Pero como pudiera afectar el sabor de sus primeros wafles, se recomienda desecharlos.

Preparando su Waflera Flip Belga

- 1 Cierre la waflera y conecte en el tomacorriente, vera que la luz roja y la luz verde se encenderá. Gire la perilla de control de temperatura al nivel deseado. Tomará aproximadamente entre 5 y 8 minutos para alcanzar la temperatura de hornear. La luz verde se apagara cuando está calentando.
- 2 Antes de hacer los primeros wafles del día, use una brocha de pasteleria con un poco de aceite de cocina para acondicionar ambas planchas de cocción. Una leve capa de aceite de cocina en spray también funciona.



Cocción

- 1 Cuando se alcanza la temperatura adecuada de cocción, la luz verde se prende. Una vez que la unidad ya está caliente, los ciclos de tiempo son más rápidos.
- 2 Vierta la mezcla sobre la plancha inferior de la waflera. Sirva solo suficiente mezcla para rellenar la plancha inferior de forma que alcance hasta los extremos. Si es necesario utilice una espátula para esparcir la mezcla hacia las esquinas de la plancha. En este momento la luz verde se apagará y comenzará el ciclo de cocción.
- 3 Cierre la waflera y rote la unidad en 180° hacia la derecha (en dirección de las agujas del reloj). No la abra hasta por lo menos 1 minuto y medio. Abriendo la tapa muy pronto causaría que los waffles no se cocinaran, se partieran y sería difícil retirarlas.
- 4 Cuando se prende la luz verde nuevamente, rote la unidad en 180° hacia la izquierda (en dirección contraria a las agujas del reloj). Sus waffles deben estar listas de acuerdo con el control de la temperatura para dorar que usted seleccionó.
- 5 Retire los waffles de la plancha usando utensilios no metálicos.
- 6 Si necesita cocción adicional, cierre la waflera para retener el calor. Siempre debe asegurarse que la luz verde se prenda nuevamente para hacer más waffles.
- 7 Si usted necesita tomar una pausa, cierre su waflera para mantener el calor. Cuando regrese para continuar, usted notará que sus primeros waffles se cocinarán más rápido por el calor acumulado.
- 8 Una estricta supervisión es necesaria cuando cualquier artefacto es utilizado por o cerca de los niños.
- 9 Cuando termine de hacer los waffles, simplemente desenchufe el cable del tomacorriente. Deje la waflera abierta para que se enfríe. No la limpie hasta que la unidad no se enfríe.

Recomendaciones Para Cocción Waffles

- 1 Gire el control de la temperatura para dorar al gusto deseado. Al principio gírela hasta la mitad. Después podrá ajustarla para dorar más o dorar menos de acuerdo a su preferencia. Si la ajusta baja, el waffle tendrá un color más claro, mientras los waffles hechos a temperaturas más altas son más oscuras y crujientes. Las variadas mezclas para waffles también se cocinan diferentemente. Con el

tiempo, usted encontrará la temperatura perfecta para la mezcla que utiliza.

- 2 Cuando prepare la mezcla para waffles, no la mezcle excesivamente para evitar que los waffles salgan duros. Bata la mezcla solamente hasta que desaparezcan los grumos o ingredientes secos.
- 3 La cantidad óptima de mezcla para obtener un waffle perfecto, sin derramar, variará con las diferentes mezclas de waffle. Vertiendo la mezcla de una taza de medir ayudará a precisar cuanto mezcla requiere cada vez. Para rellenar la plancha inferior de la waflera con suficiente mezcla para cubrirla hasta los extremos es alrededor.
- 4 Para tener unos waffles uniformes, esparza la mezcla en forma gruesa hacia los bordes de afuera de la plancha, usando una espátula de goma resistente al calor o cualquier otro utensilio no metálico antes de cerrar la tapa.
- 5 Los waffles para pasteles, tales como los waffles de chocolate son más suaves que los waffles regulares, y pueden requerir más cuidado al sacarlas de la waflera. También partirlas en mitades o cuartos de waffle antes de sacarlas. Siempre use una espátula para sujetar los waffles cuando las esté sacando de la waflera.
- 6 Para mantener los waffles crocantes, coloque los waffles listos enfriándose sobre una rejilla de metal para evitar que el vapor se acumule debajo de ellos.
- 7 Para tener unos waffles con una forma perfecta, puede recortar los bordes con una tijera de cocina antes de servirlos. Cuando quiera servir varios waffles al mismo tiempo, mantenga los waffles calientes y crocantes en una parrilla dentro del horno a 200°F hasta que se sirvan para comer.
- 8 Los waffles que ya se han enfriado pueden recalentarse y volverse crocantes nuevamente, metiéndolas individualmente dentro de la waflera. Ajuste el control de la temperatura para dorar en bajo. Coloque el waffle sobre la plancha haciendo coincidir las ranuras; cierre la tapa y caliente de 1 a 2 minutos cuidando que no se quemen.
- 9 Los waffles ya listos se congelan perfectamente. Enfríelos completamente en una rejilla de metal. Guárdelos en una bolsa de plástico de congelador o en un recipiente cubierto, separando cada waffle con papel encerado. Recaliente los waffles congelados en un horno tostadora, en el horno o en una tostadora hasta que estén calientes y crocantes.





Algunos pasos fáciles para mantener su waflera trabajando y luciendo como nueva:

- 1 Siempre desconecte el aparato del tomacorriente y permita que el artefacto se enfríe completamente antes de limpiar. No hay necesidad de desarmar la waflera para limpiarla. Nunca sumerja la waflera dentro de agua ni la coloque dentro del lavaplatos.
- 2 Quite las migas de las ranuras. Limpie las planchas con papel toalla, para absorber cualquier resto de aceite o mantequilla de las ranuras. También puede limpiar la plancha con un paño húmedo. No utilice ningún tipo de químico, fibras de lana o limpiadores abrasivos que puedan dañar la superficie antiadherente.
- 3 Limpie el exterior de la waflera con un paño húmedo solamente. No utilice ningún tipo de esponjas abrasivas o de metal para limpiarlo ya que podría dañar su acabado. Nunca sumerja la waflera dentro de agua ni la coloque dentro del lavaplatos. Un poco de limpiador para acero inoxidable podría usarse ocasionalmente para la parte superior externa.
- 4 Si quedara algo de mezcla endurecida sobre la plancha, viértale encima un poco de aceite de cocinar y déjelo 5 minutos hasta que ablande, luego pásele un poco de papel toalla o un paño suave.
- 5 No use utensilios de metal para sacar sus wafles, pueden dañar la superficie antiadherente.



Wafles Clásicos

- | | |
|---|---|
| 1 ½ tazas de harina | 3 huevos grandes, separados |
| 1 ½ taza de fécula de maíz | 2 cucharadas de azúcar granulada |
| 2 cucharadas de harina de maíz (opcional) | 1 ¾ tazas de leche |
| 1 cucharada de polvo de hornear | ½ cucharadita de esencia de vainilla |
| 1 cucharadita de sal | ½ taza (1 barra) de mantequilla sin sal derretida |

En un tazón grande, mezcle la harina, la fécula de maíz, la harina de maíz, el polvo de hornear y la sal; ponga aparte. En un tazón de batir bata las claras de huevo hasta que se formen picos suaves. Agregue azúcar; continúe batiendo hasta que se formen picos más firmes; ponga aparte. Mezcle bien las amarillas de huevo, la leche y la vainilla. Usando una espátula de goma, revuelva la mezcla de leche dentro de la mezcla de harinas solamente hasta que los ingredientes secos se humedezcan. (Pueda que queden algunos pequeños grumos; no lo bata en exceso.) Agréguele la mantequilla derretida. Agréguele las claras de huevo batidas con movimientos envolventes hasta mezclarlo completamente. Vierta la mezcla sobre la waflera caliente y engrasada; cocine.

Rinde 5 ½ tazas de mezcla

Consejo práctico para Wafles: La fécula de maíz hace que los wafles sean más crocantes. Si no se tiene fécula de maíz, puede omitirlo e incrementar hasta 2 tazas la harina y sus wafles igualmente le quedarán exquisitos.

Wafles de Nueces Macadamia & Arándano (Cranberry)

Espolvoree nueces de macadamias picadas finamente sobre la plancha inferior de la waflera previamente precalentada y engrasada. Vierta la mezcla sobre las nueces. Espolvoree los arándanos secos sobre la mezcla. Cierre la waflera y ajuste la cocción deseada.



Wafles Clásicos de Crema de Leche

- | | |
|---|---|
| 1 ½ tazas de harina | 3 huevos grandes, separados |
| 1 ½ taza de fécula de maíz | 2 cucharadas de azúcar granulada |
| 2 cucharadas de harina de maíz (opcional) | 1 ¾ tazas de leche |
| 1 cucharada de polvo de hornear | ½ cucharadita de esencia de vainilla |
| ¾ cucharadita de bicarbonato de soda | ½ taza (1 barra) de mantequilla sin sal derretida |
| 1 cucharadita de sal | |

En un tazón grande, mezcle la harina, la fécula de maíz, la harina de maíz, el polvo de hornear y la sal; ponga aparte. En un tazón de batir bata las claras de huevo hasta que se formen picos suaves. Agregue azúcar; continúe batiendo hasta que se formen picos más firmes; ponga aparte. Mezcle bien las amarillas de huevo, la crema de leche y la vainilla. Usando una espátula de goma, revuelva la mezcla de crema de leche dentro de la mezcla de harinas solamente hasta que los ingredientes secos se humedezcan. (Pueda que queden algunos pequeños grumos; no lo bata en exceso.) Agréguele la mantequilla derretida. Agréguele las claras de huevo batidas con movimientos envolventes hasta mezclarlo completamente. Vierta la mezcla sobre la waflera caliente y engrasada; cocine.

Rinde 5 ½ tazas de mezcla

Consejo práctico para Wafles: La fécula de maíz hace que los wafles sean más crocantes. Si no se tiene fécula de maíz, puede omitirlo e incrementar hasta 2 tazas la harina y sus wafles igualmente le quedarán exquisitos

Wafles de Crema de Leche y Moras

Vierta la mezcla sobre la plancha inferior de la waflera, espolvoree la mezcla con moras frescas (o también pueden ser descongeladas). Cierre la waflera y ajuste la cocción deseada.

Wafles Belgas al estilo Antiguo (con levadura)

- | | |
|---|--|
| 2 ½ tazas de harina | 3 huevos grandes |
| 3 cucharadas de azúcar | ½ taza de mantequilla sin sal, derretida |
| 1 ½ cucharadita de levadura seca | 1 cucharadita de esencia de vainilla |
| 1 ¼ cucharadita de sal | |
| 2 tazas de leche muy caliente | |
| 2 tazas de leche muy caliente (120 a 130° F para activar la levadura) | |

En un tazón grande, mezcle bien la harina, el azúcar, la levadura y la sal. En un tazón mediano, mezcle la leche, los huevos, la mantequilla y la vainilla; agrégueselo a los ingredientes secos, mezcle hasta que los grumos grandes estén humedecidos. Tape; déjelo crecer en un lugar caliente y sin corriente de aire por 1 hora o hasta que esté liviano y esponjoso (o también podría taparlo y refrigerarlo toda la noche). Revuelva la mezcla; viértala sobre la waflera previamente precalentada y engrasada; cocine.

Rinde 4 ½ tazas de mezcla



Wafles de Trigo Integral

(a base de granos enteros y bajo en calorías)

¾ tazas de harina integral	1 huevo, separado
¼ taza de salvado de trigo	¾ taza leche descremada
2 cucharadas de germen de trigo	1 cucharada de miel (opcional)
1 cucharadita de polvo de hornear	2 cucharadas de mantequilla
¼ cucharadita de sal	sin sal, derretida

En un tazón mediano, mezcle la harina de trigo, el salvado, el germen de trigo, el polvo de hornear y la sal. En un tazón de batir, bata la clara a punto de nieve; ponga aparte. Mezcle la yema del huevo, la leche y la miel. Utilizando una espátula de goma, revuelva la mezcla de leche dentro de la mezcla de harina, solamente hasta que los ingredientes secos se humedezcan. (Pueda que queden algunos pequeños grumos; no lo bata en exceso.) Agréguele la mantequilla derretida. Agréguele las clara de huevo batida con movimientos envolventes hasta mezclarlo completamente. Vierta la mezcla sobre la waflera caliente y engrasada; cocine.

Rinde 2 tazas de mezcla

Wafles de Chocolate

1 ½ tazas de harina	1 taza de azúcar granulado
1 ½ cucharada de polvo de hornear	1 cucharadita de esencia de vainilla
½ cucharadita de sal	2 huevos grandes
½ taza (1 barra) de mantequilla sin sal	¾ taza de leche

2 onzas de chocolate sin azúcar cortado en trozos

Pase por un tamiz la harina, el polvo de hornear y la sal para que se mezclen bien; ponga aparte. En un tazón grande seguro para microondas, añada el chocolate y la mantequilla y métele en el microonda de 1 a 1 ¼ de minutos hasta que la mantequilla se derrita. Revuelva el chocolate hasta que se derrita completamente también. Agréguele revolviendo el azúcar y la vainilla (asegúrese que la mezcla no esté muy caliente para que los huevos no se cocinen, enfríelo un poco si es necesario). Agregue los huevos revolviendo uno por uno.

Añádale la mezcla de harina, en 3 partes alternando con la leche en 2 partes (la mezcla se va espesar a medida que el chocolate se enfríe). Viértalo sobre la waflera caliente y engrasada; cocine.

Sirva con fresas endulzadas y con crema batida. Para una ocasión especial póngale encima helado, salsa de caramelo o de chocolate, crema batida o nueces tostadas

Rinde 3 tazas de mezcla

Wafles de Chocolate Doble

Revuelva dentro de la mezcla preparada ½ taza de pedacitos pequeños de chocolate y cocine como se indica.





Garantía Limitada de 1 Año

Sunbeam Products, Inc. operando bajo el nombre de Jarden Consumer Solutions, o en Canadá, Sunbeam Corporation (Canada) Limited operando bajo el nombre de Jarden Consumer Solutions, (en forma conjunta, "JCS"), garantiza que por un período de un año a partir de la fecha de compra, este producto estará libre de defectos de materiales y mano de obra. JCS, a su elección, reparará o reemplazará este producto o cualquier componente del mismo que presente defectos durante el período de garantía. El reemplazo se realizará por un producto o componente nuevo o reparado. Si el producto ya no estuviera disponible, se lo reemplazará por un producto similar de valor igual o superior. Ésta es su garantía exclusiva. No intente reparar o ajustar ninguna función eléctrica o mecánica de este producto. Al hacerlo eliminará ésta garantía.

La garantía es válida para el comprador minorista original a partir de la fecha de compra inicial y la misma no es transferible. Conserve el recibo de compra original. Para solicitar servicio en garantía se requiere presentar un recibo de compra. Los agentes y centros de servicio de JCS o las tiendas minoristas que venden productos de JCS no tienen derecho a alterar, modificar ni cambiar de ningún otro modo los términos y las condiciones de esta garantía.

Esta garantía no cubre el desgaste normal de las piezas ni los daños que se produzcan como resultado de uso negligente o mal uso del producto, uso de voltaje incorrecto o corriente inapropiada, uso contrario a las instrucciones operativas, y desarme, reparación o alteración por parte de un tercero ajeno a JCS o a un Centro de Servicio autorizado por JCS. Asimismo, la garantía no cubre actos fortuitos tales como incendios, inundaciones, huracanes y tornados.

¿Cuál es el límite de responsabilidad de JCS?

JCS no será responsable de daños incidentales o emergentes causados por el incumplimiento de alguna garantía o condición expresa, implícita o legal.

Excepto en la medida en que lo prohíba la ley aplicable, cualquier garantía o condición implícita de comerciabilidad o aptitud para un fin determinado se limita, en cuanto a su duración, al plazo de la garantía antes mencionada.

JCS queda exenta de toda otra garantías, condiciones o manifestaciones, expresa, implícita, legal o de cualquier otra naturaleza.

JCS no será responsable de ningún tipo de daño que resulte de la compra, uso o mal uso del producto, o por la imposibilidad de usar el producto, incluidos los daños incidentales, especiales, emergentes o similares, o la pérdida de ganancias, ni de ningún incumplimiento contractual, sea de una obligación esencial o de otra naturaleza, ni de ningún reclamo iniciado contra el comprador por un tercero.

Algunas provincias, estados o jurisdicciones no permiten la exclusión o limitación de los daños incidentales o emergentes ni las limitaciones a la duración de las garantías implícitas, de modo que es posible que la exclusión o las limitaciones antes mencionadas no se apliquen en su caso.

Esta garantía le otorga derechos legales específicos y es posible que usted tenga otros derechos que varían de un estado, provincia o jurisdicción a otro

Cómo solicitar el servicio en garantía

En los Estados Unidos

Si tiene alguna pregunta sobre esta garantía o desea recibir servicio de garantía, llame al 1-800-334-0759 y podrá obtener la dirección del centro de servicio que le resulte más conveniente.

En Canadá

Si tiene alguna pregunta sobre esta garantía o desea recibir servicio de garantía, llame al 1-800-667-8623 y podrá obtener la dirección del centro de servicio que le resulte más conveniente.

En los Estados Unidos, esta garantía es ofrecida por Sunbeam Products, Inc. operando bajo el nombre de Jarden Consumer Solutions, Boca Ratón, Florida 33431. En Canadá, esta garantía es ofrecida por Sunbeam Corporation (Canada) Limited operando bajo el nombre de Jarden Consumer Solutions, 20 B Hereford Street, Brampton, Ontario L6Y 0M1. Si usted tiene otro problema o reclamo en conexión con este producto, por favor escriba al Departamento de Servicio al Consumidor.

POR FAVOR NO DEVUELVA ESTE PRODUCTO A NINGUNA DE ESTAS DIRECCIONES NI AL LUGAR DE COMPRA.



Free Manuals Download Website

<http://myh66.com>

<http://usermanuals.us>

<http://www.somanuals.com>

<http://www.4manuals.cc>

<http://www.manual-lib.com>

<http://www.404manual.com>

<http://www.luxmanual.com>

<http://aubethermostatmanual.com>

Golf course search by state

<http://golfingnear.com>

Email search by domain

<http://emailbydomain.com>

Auto manuals search

<http://auto.somanuals.com>

TV manuals search

<http://tv.somanuals.com>