

# MODEL # HFS

## Speaker Level Audio Switcher for the Motorola IHF1000 Bluetooth Phone Kit



Pacific Accessory Corporation

### Introduction

Thank you for purchasing the PAC HFS Bluetooth phone kit integration module. The HFS was designed to seamlessly integrate the Motorola IHF1000 Bluetooth phone kit into your vehicle's audio system. The HFS is completely Plug-n-Play and does not require any cutting or splicing of wires when used with the Motorola Z02 harness. The vehicle specific harnesses plug directly into the vehicle's audio system. When the IHF1000 is activated by either an incoming or outgoing call, the HFS will automatically mute the audio system and uses the front speakers to provide the audio for the hands free conversation. The HFS is a speaker level audio switcher that is designed for non-amplified audio systems and is not recommended for some factory amplified audio systems.

### Installation

**Important Note:** The IHF1000 you are installing will have one of two different style main harnesses. Installation will vary depending upon harness style. The harness that comes with the IHF1000 will have a sticker on it with a part number. The last three characters of the part number will be either Z01 or Z02. The HFS is designed to be Plug-n-Play compatible with the Z02 harness. If your IHF1000 comes with a Z01 harness, you will be required to make wire connections from the HFS to the Z01 harness. Please follow the appropriate instructions below for your particular situation.

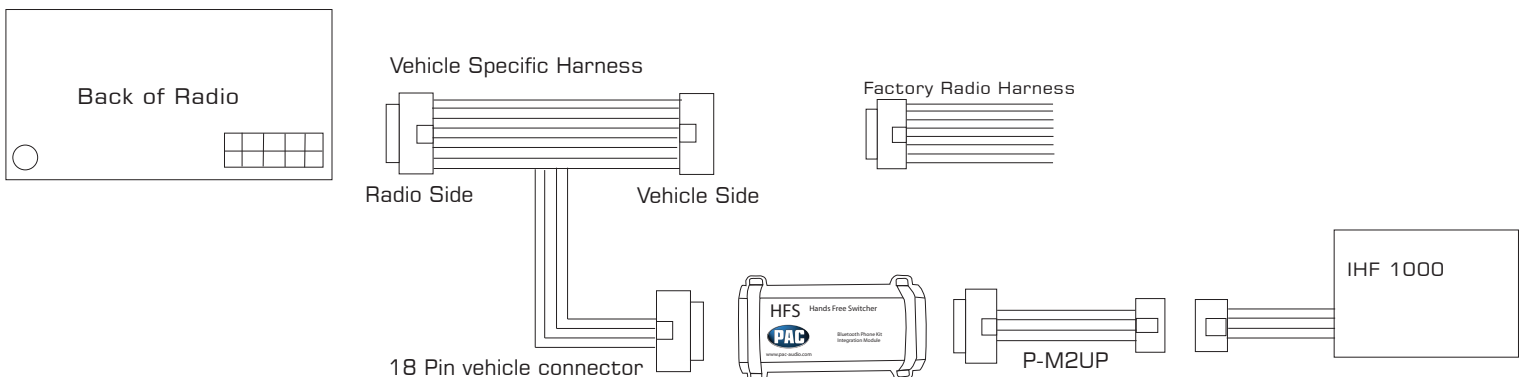
### Connections with the Z02 harness

**Note:** All connections to the vehicle for power and audio are made with the vehicle specific harness for HFS. Do not connect any wires from the IHF1000 directly to the vehicle. All connections will be made between the IHF1000 harnesses and the P-M2UP harness. You will need to mount the UIM and the Microphone that comes with the IHF1000. These components plug directly into both the Z01 and Z02 Motorola harnesses.

**CAUTION!!!!** Make certain that you have the radios security code if the radio has one. The radio may require the security code to operate after being plugged in.

Connection at Radio.

1. Unplug the factory harness from the radio.
2. Plug the factory Harness into the Vehicle side of the PAC harness.
3. Plug the Radio side of the harness into the factory radio.
4. Connect the 18 pin connector from the vehicle specific harness to the Vehicle Interface side of the HFS.
5. Connect the 16 pin connector on the P-M2UP into the Phone Interface side of the HFS.
6. Connect the 8 pin connector to the Motorola Z02 harness



More on Back

# MODEL # HFS

## Speaker Level Audio Switcher for the Motorola IHF1000 Bluetooth Phone Kit



Pacific Accessory Corporation

### Connections with the Z01 harness

If your Motorola IHF1000 Bluetooth phone kit came equipped with the Z01 harness, you will not be able to plug the HFS directly into the Motorola harness. In this case you will need to make some wire connections.

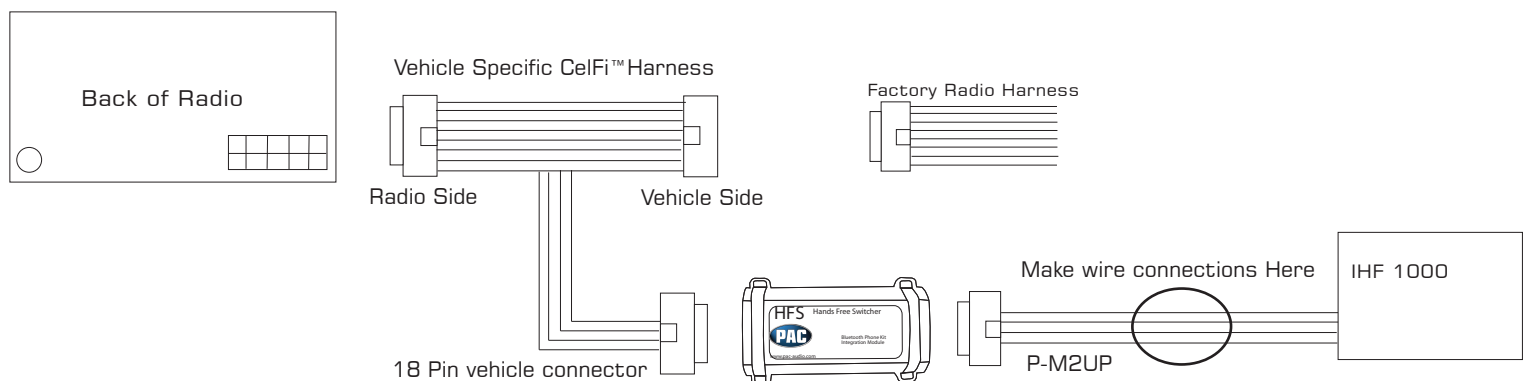
#### Wiring Connections

1. Cut off the white 8 pin connector from the P-M2UP harness.
2. Cut off the 2 pin connector for the speaker.
3. Connect the BLACK wire from the speaker plug to the PURPLE wire on the P-M2UP harness.
4. Connect the YELLOW wire from the speaker plug to the GREY wire on the P-M2UP harness.
5. Connect the RED wire from the Z01 harness to the RED wire on the P-M2UP harness.
6. Connect the GREEN wire from the Z01 harness to the GREEN wire on the P-M2UP harness.
7. Connect the BLACK wire from the Z01 harness to the BLACK wire on the P-M2UP harness.
8. Connect the YELLOW wire from the Z01 harness to the YELLOW wire on the P-M2UP harness.

**CAUTION!!!!** Make certain that you have the radios security code if the radio has one. The radio may require the security code to operate after being plugged in.

#### Connection at Radio.

1. Remove the factory harness from the radio.
2. Plug the factory Harness into the Vehicle side of the PAC harness.
3. Plug the Radio side of the harness into the factory radio.
4. Connect the 18 pin connector from the vehicle specific harness to the Vehicle Interface side of the HFS.
5. Connect the 16 pin connector on the P-M2UP into the Phone Interface side of the HFS.



Pacific Accessory Corporation  
1340 Ritchey St.  
Santa Ana, CA 92705  
techsupport@pac-audio.com  
www.pac-audio.com • Ph: 866-931-8021  
© 2009 Pacific Accessory Corporation

## Free Manuals Download Website

<http://myh66.com>

<http://usermanuals.us>

<http://www.somanuals.com>

<http://www.4manuals.cc>

<http://www.manual-lib.com>

<http://www.404manual.com>

<http://www.luxmanual.com>

<http://aubethermostatmanual.com>

Golf course search by state

<http://golfingnear.com>

Email search by domain

<http://emailbydomain.com>

Auto manuals search

<http://auto.somanuals.com>

TV manuals search

<http://tv.somanuals.com>