

Electronics & Handheld Devices

1

Mobile phone with programmable dialable and receivable numbers

2

Keyless flat panel portable computer notebook

3

Pad computer



Mobile phone with programmable dialable and receivable numbers

1

Seller:

Royal Thoughts, LLC

Featured IP Asset:

US 6,912,399

Related IP:

US 11/071,991

Expected Value:

\$400,000+

Lot Summary:

This Lot is directed to the authorized use of mobile phones. Specifically disclosed is the capability of restricting specified incoming and outgoing calls on a mobile phone.

Increasingly, mobile phones and other PDA devices incorporating mobile phone technology are the most ubiquitous tools for mobile communications. As more people are carrying mobile phones, maintaining privacy and preventing unauthorized use has become a concern; if a user's phone is lost or stolen, a finder with improper intent could use the phone to make gratuitous personal calls, potentially mounting an unwarranted bill for the owner, or otherwise obtain personal information which the owner would not want distributed.

An additional concern with the escalating use of mobile phones comes with the rising rate of use by increasingly younger children and vulnerable adults. There are benefits to allowing youth and vulnerable adults to have mobile phones, including providing the ability to communicate with family and close friends, and enabling contact with emergency services or telemedical

providers in the case of an emergency. However, vulnerable adults and children may be bothered by incoming calls from unknown parties, and may also make outgoing calls to people they should not contact. Further, parents may feel that interruptions from a mobile phone can be an unwelcome distraction in the academic lives of their children. Resolving these concerns may substantially expand the available market size for mobile phone users.

This Lot resolves the aforementioned issues by allowing a mobile phone user or a supervisory authority to specify authorized use of a phone. The disclosed technology provides a mobile phone having restricted incoming and outgoing telephone call capabilities. The user can authorize outgoing and incoming calls to be made and received only to and from specific phone numbers. These numbers can be programmed into the phone and only calls to and from those authorized numbers will be allowed, while incoming calls from unauthorized numbers will not ring. By restricting the incoming and outgoing calls from a mobile phone, parents and caregivers can ensure their children or dependents are not making calls to improper contacts with their phones. The same concept applies in a commercial application, where companies that are hesitant to issue mobile phones to employees may do so knowing that the phone can be programmed for internal communication only.

Because of the Lot's potential benefits to millions of current and future mobile phone users, the offered assets would be a valuable acquisition for telecommunications companies, mobile phone manufacturers, wireless network service providers and consumer electronics brands.

Royal Thoughts is also a seller in other categories. Please see related Lots numbered 61, 63, and 73

1

2

3

Mobile phone with programmable dialable and receivable numbers

that may be add-ons or accompaniments to this Lot.

Sample Forward Citation Analysis:

- AT&T Inc.
- H2O Audio, Inc.
- International Business Machines Corp.
- NEC Corp.
- Palm, Inc.
- Sanyo Electric Co. Ltd.
- SecureAlert, Inc.
- Texas Instruments Inc.
- Vaghi Family Intellectual Properties, LLC

Potential Licensees:

- Telecommunications Companies
- Communications Equipment Manufacturers
- Electronics Companies

Patent Number:

US 6,912,399

Title:

Cellular telephone with programmable authorized telephone number

Inventors:

Jocelyn Zirul; Raymond J. Menard

Issue Date:

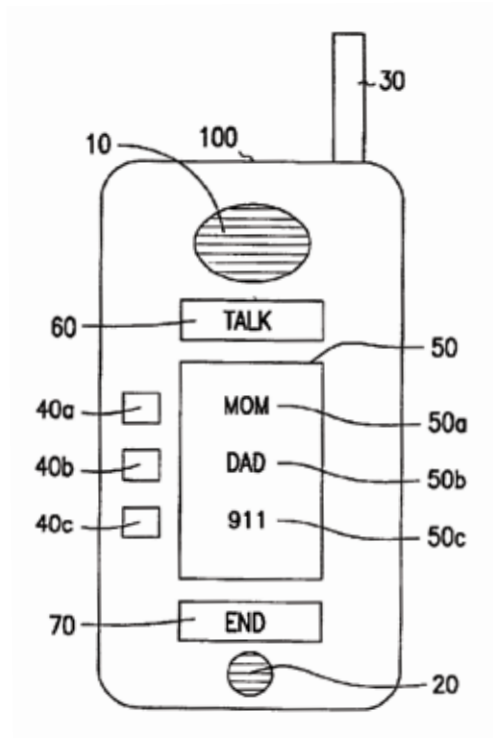
June 28, 2005

Earliest Filing Date:

January 22, 2001

Representative Independent Claim:

An apparatus comprising; a cellular telephone transceiver; a processor coupled to the transceiver; a first memory coupled to the processor and adapted for storage of a plurality of predetermined telephone numbers; a keypad having a plurality of user operable buttons coupled to the processor; a program accessible to the processor and having instructions adapted for causing the transceiver to dial a particular predetermined telephone number selected from the plurality of predetermined telephone numbers upon operation of a button selected from the plurality of buttons; a second memory coupled to the processor and adapted for storage of information identifying one or more authorized telephone callers; a talk button coupled to the processor; and a program accessible to the processor and having instructions adapted for causing the processor to generate a signal upon the transceiver detecting an incoming telephone call from at least one of the one or more authorized telephone callers... *(claim continued)*



Keyless flat panel portable computer notebook

2

Seller:

Communication Intelligence Corp.

Featured IP Asset:

US 5,049,862

Related IP:

EP19900916650; JP19900515540;
PCT/US90/05726

Expected Value:

\$200,000+

Lot Summary:

The patent offered in this Lot discloses a portable computing device. The disclosed device comprises two panels, one being an LCD screen with overlaying transparent digitizer, and a second being another digitizer. These panels have the ability to physically detach from one another, and to wirelessly interact.

Most portable computing devices include a keyboard and pointing device to enable user [data] input; some utilize a stylus in conjunction with a keyboard and/or pointing device. Portable computing devices are customarily designed with a form factor, which limits the ways a user can orient his/her device. For instance, the typical notebook computer has a clamshell design, whereby a screen occupies the top half of the device, and the keyboard and pointing device the lower half. Notably, this orientation – or design – indicates the device is intended for use in only one way. The technology disclosed in this Lot describes a portable computing device that utilizes dual digitizers (one with integrated screen) to provide a customizable user interface with

stylus input. Significantly, the digitizers can be rotated or separated as desired by the user.

The device described consists of a keyboardless portable computer that simulates a foldable notepad, and has a display which can be reoriented to the convenience of the user - carried in a self-protecting closed position and operated in any convenient open position. The computer has a first flat panel, a second flat panel, and hinge means for joining the first and second panels such that the first flat panel surface is juxtaposed to the second flat panel surface in a closed position, and is further disposed side by side on a common plane in one of a selection of open positions. The first flat panel surface comprises a first digitizer, and the second flat panel surface comprises a second digitizer. A stylus is provided as well, which is connectable to at least one of the panels, to facilitate interaction with at least one of the digitizers. Further, one of the digitizers may include a flat panel display, through which visual output is provided.

This invention may be useful in a variety of portable computing products. Its features could be integrated into a typical notebook computer to increase its utility in a wide range of applications, as well as could also be used in portable gaming devices or mobile phones.

Sample Forward Citation Analysis:

- A.T.X. International, Inc.
- Access Company, Ltd.
- ADC Technology Inc.
- Adobe Systems Inc.
- Affinity Technology Group Inc.
- Alcatel-Lucent
- Apple Inc.
- Booklink Corporation
- Broadcom Corp.
- CalComp Technology, Inc.

1

2

3

Keyless flat panel portable computer notebook

1

2

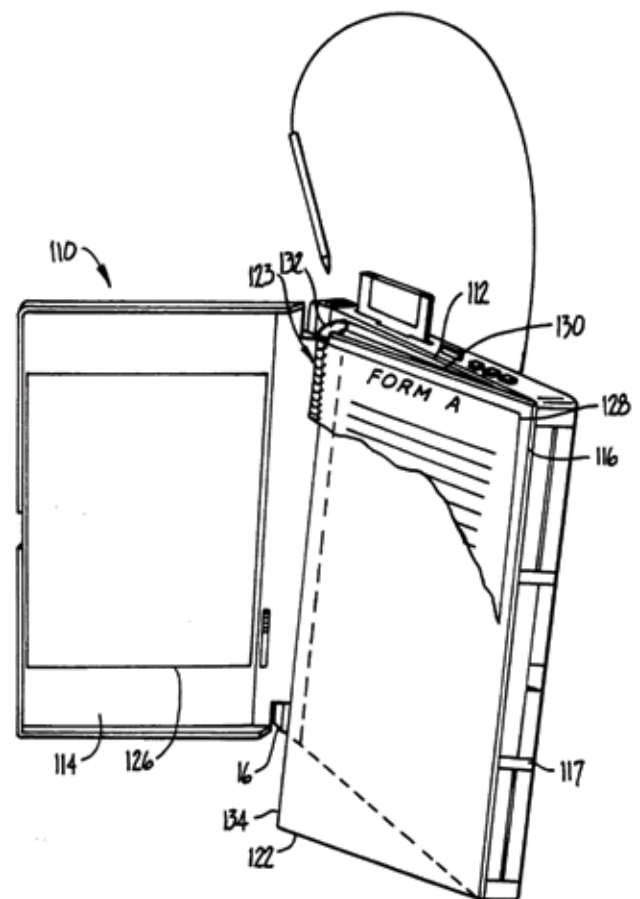
3

- CopyTele Inc.
- DataVentures, Inc.
- DealerTrack Holdings, Inc.
- Dell Inc.
- Digital Privacy, Inc.
- Digitizer Technology Company, LLC
- Documation, Inc.
- Ecrio, Inc.
- Einstruction GTCO Holdings, LLC
- Ergotron, Inc.
- First American Corp.
- FUJIFILM Holdings Corporation
- Fujitsu Ltd.
- Hewlett-Packard Co.
- iGo, Inc.
- Integral Information Systems
- Intel Corp.
- Intermec, Inc.
- International Business Machines Corp.
- Inventec Corp.
- iPaper, LLC
- Konica Minolta Holdings Inc.
- Kyocera Corp.
- Lenovo Group Ltd.
- Livescribe, Inc.
- Mattel, Inc.
- Metrologic Instruments Inc.
- Microsoft Corporation
- Motorola Inc.
- NCR Corp.
- NEC Corp.
- Nokia Corp.
- Nuance Communications, Inc.
- Numonics Corporation
- Optical Research Partners LLC
- Palm, Inc.
- Research Investment Network, Inc.
- Revolutionary Learning Systems, Inc.
- Rodgers Technology Center, Inc.
- Seiko Epson Corp.
- Sharp Corp.
- Sony Corp.
- Soundtouch Limited

- Toshiba Corp.
- United Parcel Service of America, Inc.
- Wireless Note Systems, Inc.
- WorkOnce Wireless Corporation
- Xerox Corp.

Potential Licensees:

- Telecommunications Companies
- Mobile Phone Manufacturers
- Portable Electronics Device Manufacturers



Keyless flat panel portable computer notebook

2

Patent Number:

US 5,049,862

Title:

Keyless flat panel portable computer--computer aided notebook

Inventors:

James Dao; David C. Foyt; Jeffrey J. Dao; Kenneth R. Allen

Issue Date:

September 17, 1991

Earliest Filing Date:

October 6, 1989

Representative Independent Claim:

A portable computer comprising: a first panel having a first flat surface; a second panel having a second flat surface; hinge means for joining said first panel to said second panel such that said first flat surface is juxtaposed to said second flat surface in a closed position and is disposed side by side in a common plane in one of a selection of open positions; said first flat surface comprising a first digitizer; said second flat surface comprising a second digitizer and a display juxtaposed together to form a digitizer-display unit; and a stylus connectable to at least one of said first panel and said second panel for interacting with at least one of said first digitizer and said second digitizer, wherein data entered on one of said digitizers and displayed on said digitizer-display unit is freely alterable on said digitizer-display unit.

1

2

3

1

2

3

Seller:

Pepper Computer, Inc.

Featured IP Assets:US 7,224,345; US D512,058; US D529,491;
US D554,637; US D561,758**Related IP:**US 10/978,840; US 11/697,195;
US 29/285,312; US 29/303,576;
US 60/515,753; US 60/515,786;
PCT/US04/36091; PCT/US04/36196**Expected Value:**

\$500,000+

Lot Summary:

The patents in this Lot are directed to the field of portable and handheld computer technology. More specifically, the technology disclosed is related to an innovative handheld computer that brings instant entertainment and functionality to users, through a lightweight and compact design providing both increased utility, and portability.

The handheld computer technology market is rapidly growing. Consumer are continually seeking devices with the functionality to address their needs, including increased memory, speed and capability, offered in ever-more user-friendly and convenient (lightweight and portable) interfaces.

The present invention addresses user expectations by providing a handheld computer having a split QWERTY keyboard, a built-in microphone and video camera, a composite video output, stereo speakers, an Infra-Red receiver and transmitter, a widescreen LCD touch screen

(with stylus) along with large memory and high processing capabilities. The technology was designed to allow users to browse the Web, view email, instant message, and download and stream music, videos, movies and photos, instantaneously.

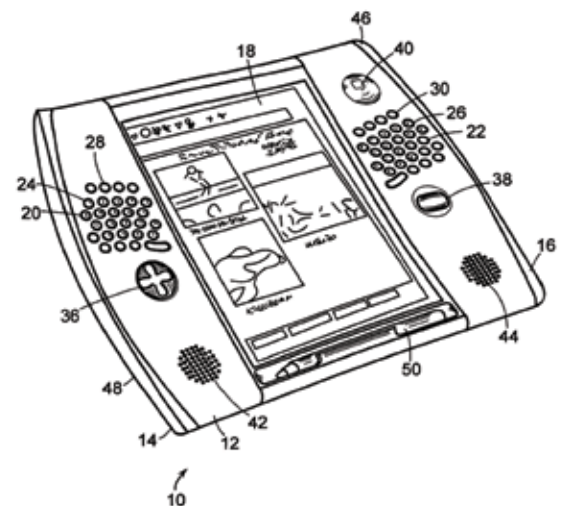
Unlike other portable devices, the wide-screen provided in the disclosed device facilitates user viewing of full-width web pages and full-screen videos. The technology further allows users to download and read electronic books, play video games, and control an entire home theater system with one simple remote control application. This technology offers an exciting opportunity to reshape the handheld computer market.

Sample Forward Citation Analysis:

- Hannspre, Inc.
- Samsung Electronics Co. Ltd.

Potential Licensees:

- Computer Manufacturers
- Portable Electronics Device Manufacturers



Pad computer

3

Patent Number:

US 7,224,345

Title:

Pad computer

Inventors:

Leonard M. Kawell; Mary Ellen Heinen;
Patrick M. McGowan; Alan Ball

Issue Date:

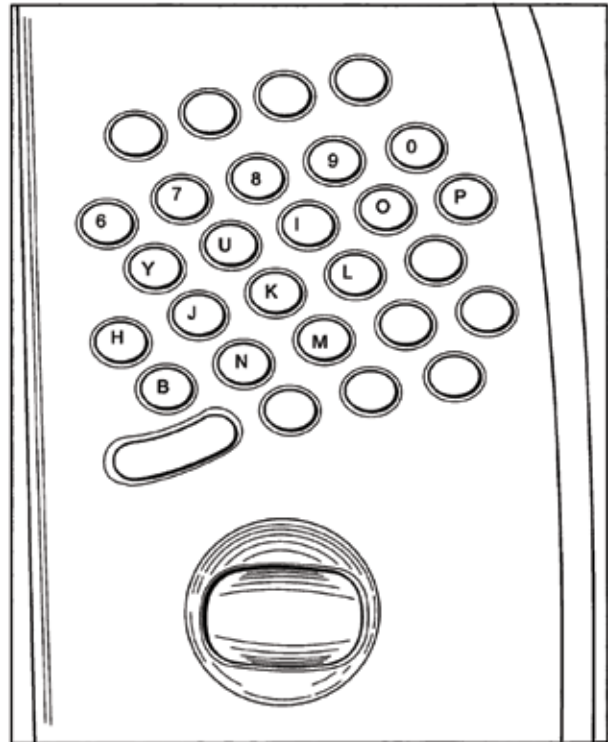
May 29, 2007

Earliest Filing Date:

October 30, 2003

Representative Independent Claim:

A computer comprising a housing for enclosing a microprocessor, the housing having a top face, a left side, and a right side, said top face having an upper half and a lower half, and including a screen in the top face, the screen positioned between the left and right sides to define a first region between the left side and the screen, and a second region between the right edge and the screen, the system including a built-in QWERTY key board in the top face with at least some of the QWERTY keys in the first region and some of the QWERTY keys in the second region, wherein the QWERTY key board is completely located within the upper half of the top face, and wherein the top face is of unitary construction such that the first and second regions of the top face are fixed relative to each other.



1

2

3

Free Manuals Download Website

<http://myh66.com>

<http://usermanuals.us>

<http://www.somanuals.com>

<http://www.4manuals.cc>

<http://www.manual-lib.com>

<http://www.404manual.com>

<http://www.luxmanual.com>

<http://aubethermostatmanual.com>

Golf course search by state

<http://golfingnear.com>

Email search by domain

<http://emailbydomain.com>

Auto manuals search

<http://auto.somanuals.com>

TV manuals search

<http://tv.somanuals.com>