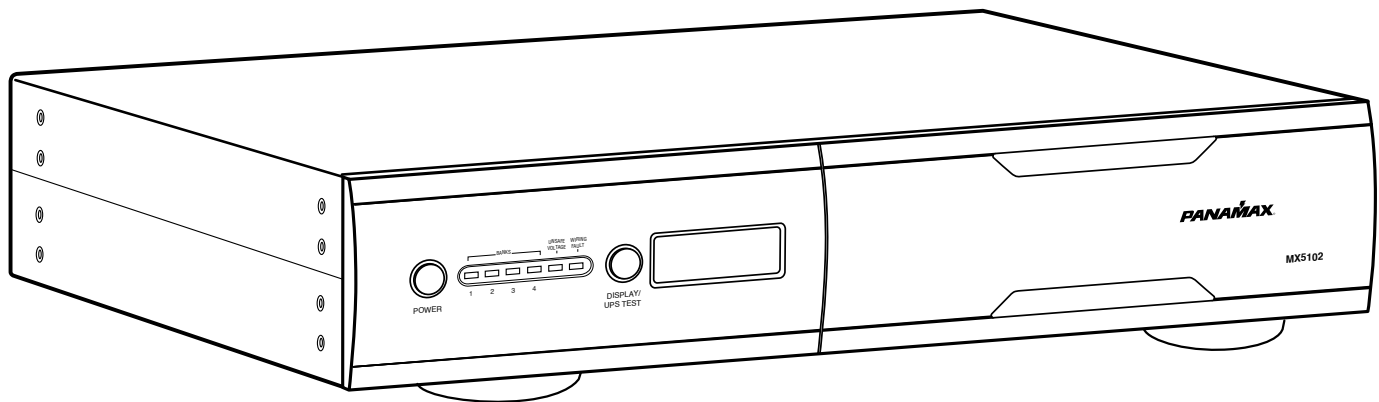


MX5102 Instructions

A Complete Power Management, Surge Protection, and Battery Backup Solution



Features:

- Surge Protection and AVM
- LiFT Noise Filtration
- Dual Learning IR Output Controls
- Rack Ears Included

PANAMAX

INS00850-EN REV. D

4/09

© 2009 Panamax, Inc., 1690 Corporate Circle, Petaluma, CA 94954 • www.panamax.com • 707-283-5900 • Fax 707-283-5901

Table of Contents

Specifications.....pg. 1

Important Safety Instructions / FCC Notice.....pg. 2

Key Features and Functions.....pg. 3

Front and Back Panel Descriptions.....pg. 4

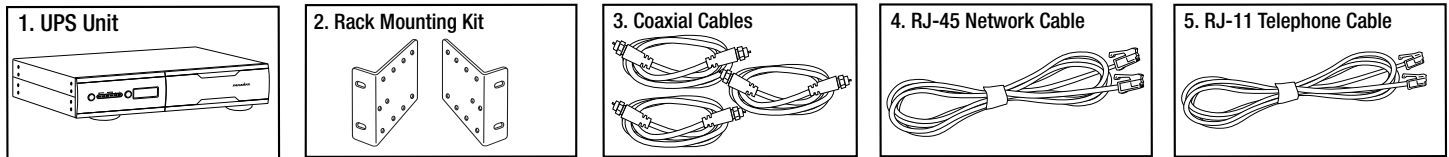
Installing Your MX5102 / UPS Operation.....pg. 5

Advanced Operation.....pg. 6

Warranty Information.....pg. 7

Before you begin unpacking inspect the MX5102 upon receipt.

In addition to this manual the box should contain the following:



MX5102 Specifications

AC Power

Line Voltage	120V, 60Hz
Total Current Capacity	12 A
Energy Dissipation	1800 Joules
Catastrophic Surge Circuit	Yes
Thermal Fusing	Yes

Overvoltage Shutoff, fast rise	150 ± 5 V
Overvoltage Shutoff, slow rise	132 ± 5 V
Undervoltage Shutoff	90 ± 5 V

EMI/RFI Noise Filtration

Bank 1 EMI Filtration	66dB Max, 100kHz-2MHz
Bank 2 EMI Filtration	66dB Max, 100kHz-2MHz

UPS Output

Voltage	120 ± 5% Simulated Sine Wave
Frequency	60 Hz ± 1%
UPS Output Capacity	600VA/360W @ 0.6pf
UPS Backup Time	3 minutes at full load
Transfer Time	< 10ms

Specifications are subject to changes due to product upgrades and improvements.

DC Trigger Input

Jacks	3.5mm (1/8") mono mini-plug
Voltage and Polarity	3 - 18V DC, bidirectional
Current Requirement	4.6 mA @3V, 58 mA @18V

LAN Circuits

Clamping Level	50V
Jacks	RJ-45
Wires Protected	8-Wires

Telephone Circuit

Fuseless/Auto-resetting	Yes
Clamping Level	275V
Suppression Modes	Metallic & Longitudinal
Jacks	RJ-11
Wires Protected	2-Wire, Pins 4 & 5

Cable and Satellite Circuits

HD 1080 i/p Ready	Yes
Bi-directional	Yes
Shielded	Yes
Clamping Level	75V
Frequency Range	0MHz - 2.2 GHz
Insertion Loss	< 0.5 dB
Connections	Female "F", Gold Plated

PANAMAX

Important Safety Instructions

This manual contains important instructions that should be followed during installation and maintenance of the UPS and batteries.

Please read and follow all instructions carefully during installation and operation of the unit. Read this manual thoroughly before attempting to unpack, install, or operate.

CAUTION! Risk of explosion if battery is replaced by an incorrect type.

CAUTION! The UPS must be connected to an AC power outlet with fuse or circuit breaker protection.

DO NOT plug the machine into an outlet that is not grounded. If you need to de-energize this equipment, turn off and unplug the UPS.

CAUTION! DO NOT USE FOR MEDICAL OR LIFE SUPPORT EQUIPMENT! Panamax does not sell products for life support or medical applications. **DO NOT** use in any circumstance that would affect operation or safety of any life support equipment, with any medical applications, or patient care.

CAUTION! The battery can energize hazardous live parts inside even when the AC input power is disconnected.

CAUTION! To prevent the risk of fire or electric shock install in a temperature and humidity controlled indoor area, free of conductive contaminants. (Please see specifications for acceptable temperature and humidity range).

CAUTION! To reduce the risk of electric shock, do not remove the cover. No user serviceable parts inside.

CAUTION! To avoid electrical shock, turn off the unit and unplug it from the AC power source before servicing the battery or installing a component.

CAUTION! DO NOT USE WITH OR NEAR AQUARIUMS!

To reduce the risk of fire, do not use with or near aquariums. Condensation from the aquarium can come in contact with metal current contacts and cause the machine to short out.

Note: AC Power management devices, such as a UPS, have certain limitations with regard to reactive loads and wattage. The MX5102 has a handling capacity of 600VA or approximately 600 watts. Excessive power consumption beyond these specifications can affect battery life and performance.

For pluggable equipment, the socket shall be installed near the equipment and shall be easily accessible.

CAUTION: To reduce the risk of fire, connect only to a circuit provided with a 20 amperes maximum branch circuit overcurrent protection in accordance with National Electric Code, ANSI / NFPA 70.

To avoid electrical shock, a screwdriver must be used to remove screws to open battery cover before replacing battery. Must close battery compartment using screwdriver to tighten screws.

NOTE TO CATV INSTALLERS

This reminder is provided to call attention to Article 820-40 of the NEC. That article provides specific guidelines for proper grounding. It specifies that the cable ground shall be connected to the grounding system of the building and as close to the point of entry as practical.

FCC Notice

FCC Notice

This equipment has been tested and found to comply with the limits for a Class B Digital Device, pursuant to Part 15 of the FCC Rules. These limits are designed to provide reasonable protection against harmful interference in residential installation. This equipment generates, uses, and can radiate radio frequency energy and, if not installed and used in accordance with the instructions, may cause harmful interference to radio communications. However, there is no guarantee that interference will not occur in a particular installation. If this equipment does cause harmful interference to radio or television reception, which can be determined by turning the equipment off and on, the user is encouraged to try to correct the interference by one or more of the following measures:

(1) Reorient or relocate the receiving antenna.

(2) Increase the separation between the equipment and receiver.

(3) Connect the equipment into an outlet on a circuit different from that to which the receiver is connected.

(4) Consult the dealer or an experienced radio/TV technician for help. Any special accessories needed for compliance must be specified in the instruction.

CAUTION: A shielded-type power cord is required in order to meet FCC emission limits and also to prevent interference to the nearby radio and television reception. It is essential that only the supplied power cord be used. Use only shielded cables to connect I/O devices to this equipment.

CAUTION: Any changes or modifications not expressly approved by the guarantee of this device could void the user's authority to operate the equipment.

Key Features and Functions

Sequential Start/Shutdown

Complex audio/video systems may be susceptible to voltage transients generated internally at start-up/shutdown if all of the equipment is powered on or off at the same time. This can cause speaker "thumps" which are not only annoying but can also damage the speakers and or trip product circuit breakers. The MX5102 is designed to eliminate these transients by providing a "start-up" delay for the High-Current outlets and a "shutdown" delay for the Switched Outlet Banks. This minimizes inrush current issues by allowing the components plugged into the Switched Outlet Banks to power-up and stabilize before any amplifiers and powered subwoofers are turned on. This sequence is reversed during shutdown. The amplifiers and powered subwoofers turn off, their power supplies drain, and then the equipment plugged into the Switched Outlet Banks are turned off.

Voltage Sense Trigger

The MX5102 voltage sense trigger input uses a standard 3.5mm (1/8") mini-mono plug. This feature provides an ON/OFF trigger for the MX5102 using a Direct Current voltage signal. Many components such as pre-amplifiers and receivers have a DC trigger built in, and will transmit a constant power signal when turned on and in use. The presence of this power signal will turn on the MX5102's switched outlets. When the source component is turned off, the voltage trigger signal is also turned off and the MX5102's shutdown sequence is initiated. An AC Adapter of the appropriate voltage, plugged into a switched outlet, may also be used if a DC trigger is not built in. When in use the Voltage Sense Trigger overrides the function of the on/off power button.

Battery Backup Outlet Bank

Today's audio/video systems include several components that greatly benefit from uninterrupted power. Cable boxes and satellite receivers take a substantial amount of time to recover all of the programming information after a power failure. DVRs can continue to record scheduled programs. Projection television bulbs can fail from thermal shock if the power is abruptly interrupted and the television cannot go through the proper cool down cycle. MX5102 includes a bank of 2 Uninterruptible Power Supply (UPS) outlets.

Learning IR Control

The learning function lets you program MX5102 to send standby or shutdown commands to components such as DLP ceiling projectors or rear projection televisions. For example: if the power fails, the projector's lamp is turned off while battery back-up outlets continue to provide battery power to the projector's cooling fan. Proper shutdown is ensured and expensive lamps are protected from damage. The MX5102 can learn up to two discrete IR commands to send a single command to two devices, or to send a two-command macro to a single device.

Automatic Over & Under Voltage Protection

Panamax's power monitoring circuitry constantly monitors the AC line voltage for unsafe voltage conditions such as momentary spikes or prolonged over-voltages and under-voltages (brownouts). These unsafe conditions pose a very dangerous threat to all electronic equipment within the home. If the MX5102 senses an unsafe power condition, it will automatically disconnect your equipment from the power to protect equipment from damage. When MX5102 disconnects from the power, the Battery Backup Outlets are switched to battery power.

- When subjected to a 6,000V (open circuit voltage) / 500A (short circuit current) surge, the MX5102 limits its voltage output to less than 330V peak, UL's best rating. The MX5102 will withstand, without damage, 10,000A surges, far exceeding the UL requirement of only 3000 Ampere surges.

- If the magnitude of the surge is greater than the capacity of the surge protection components, the MX5102's Protect or Disconnect Circuitry will disconnect your equipment in order to protect it. The MX5102 will need to be repaired or replaced by Panamax if this occurs within the 3 yr. product warranty.

Cable/Sat/Antenna Signal Protection

Coaxial protection circuits achieve optimum signal quality from our new coaxial protectors that have the smallest signal loss on the market - less than 0.5 db of attenuation from 0 MHz to 2.2 GHz. Our upgraded coaxial protection has been specifically designed to virtually eliminate signal loss. The clamping level of 75V will meet the demands of both cable and satellite voltage while minimizing exposure to damaging spikes and surges.

Telephone Line Protection

Digital video recorders and satellite TV receivers require a telephone line connection for TV show scheduling and/or Pay-Per-View services. The MX5102 also provides surge protection for this line. One pair of RJ-11 telephone jacks is provided for this. The clamping level of the MX5102 telephone protector is 267 volts. This will allow typical ring voltage (90-130VAC) and operating battery voltage (-48DC) to pass through the circuit and still protect the modem in your satellite receiver from damage.

LAN

Protection circuits for 10/100 baseT Ethernet lines. Incoming LAN line **MUST** be plugged into the LINE jack. Patch cord to the equipment **MUST** be plugged into the EQUIP jacks. 8 wire protection, 50V clamping.

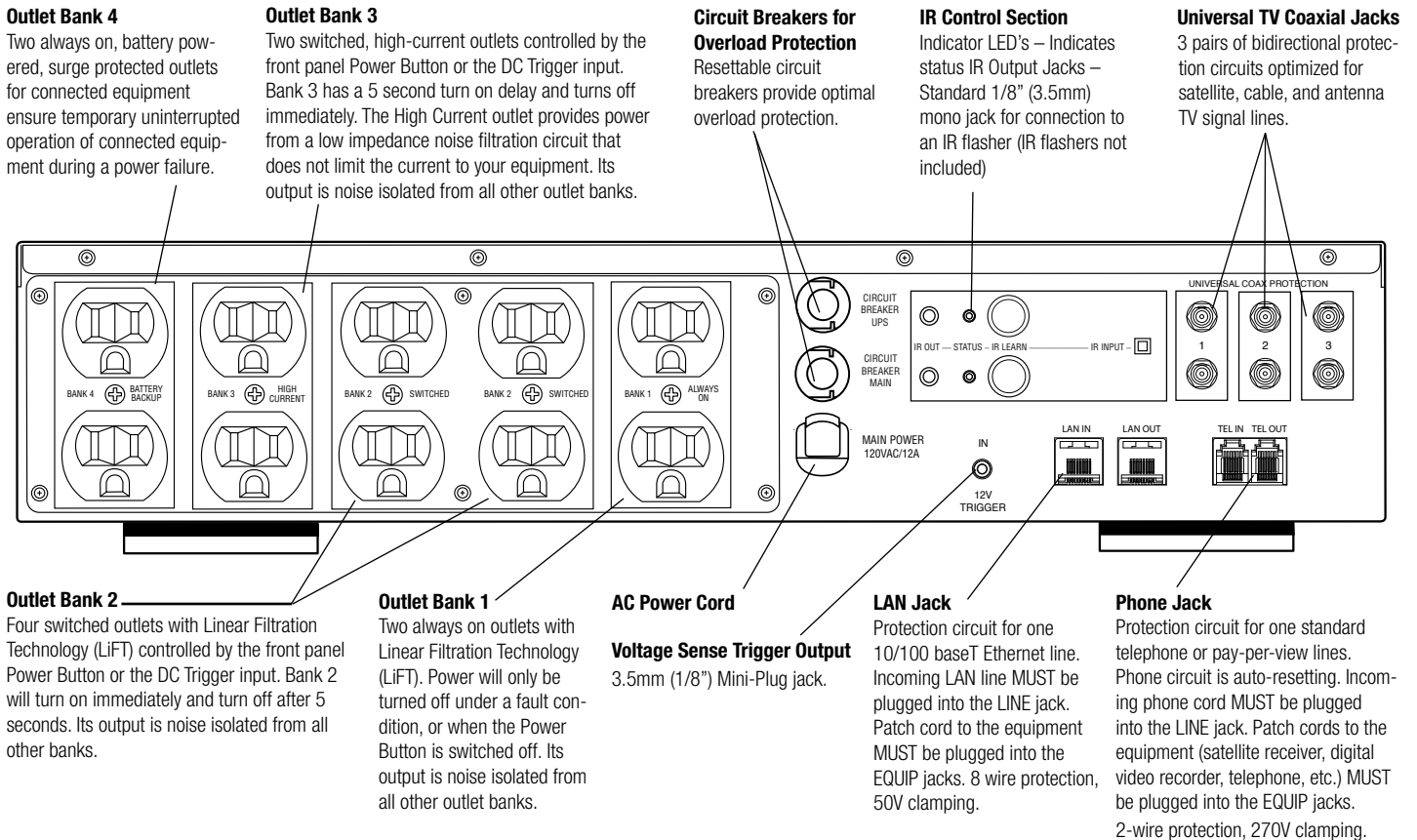
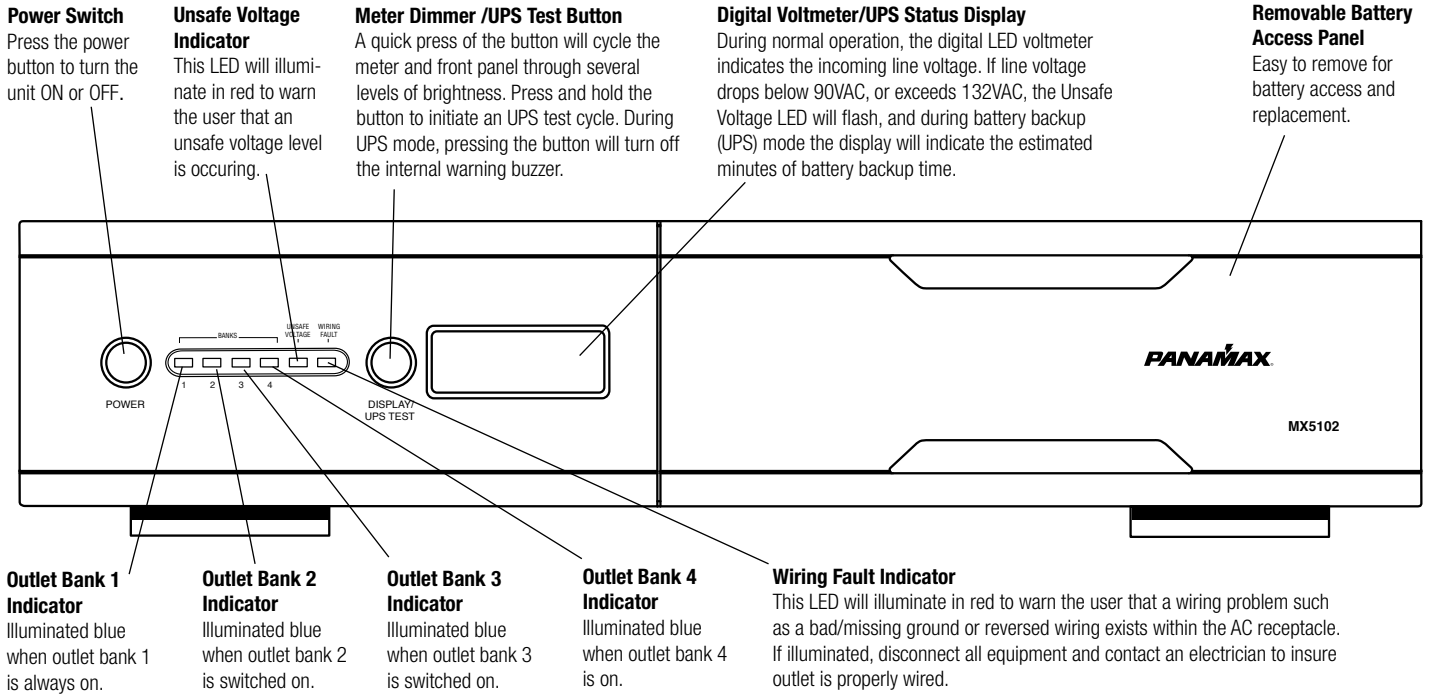
Isolated Banks: LiFT Technology EMI/RFI Noise Filtration with Isolation Between Outlet Banks:

Your audio/video components are constantly being bombarded by electromagnetic interference (EMI) and radio frequency interference (RFI) through their AC power source. This contaminated power can affect audio/video equipment and will degrade the overall performance of your entire system. Common symptoms of contaminated power include loss of picture detail, dull colors, pops, hisses, hums and visual artifacts. The MX5102 is designed to eliminate noise contamination, supply clean power to your system and provide noise isolation between the outlet banks so that any noise created by A/V components plugged into the MX5102 cannot contaminate the power going to equipment plugged into the other outlet banks of the MX5102.

Linear Filtering Technology (LiFT)

For improving picture and sound quality nothing filters AC noise better. LiFT evenly eliminates noise across the entire bandwidth, ensuring peak audio and video performance by reducing harmonic distortion and improving the signal-to-noise ratio. With LiFT, you are assured consistent performance and the highest resolution from any audio or video playback system.

Front and Back Panel Descriptions



Installing Your MX5102

1. The UPS outlets may be used immediately upon receipt. However, recharging the battery for at least four hours is recommended to ensure that the battery's maximum charge capacity is achieved. Charge loss may occur during shipping and storage. To recharge the battery, simply leave the unit plugged into an AC outlet. The unit will charge in both the ON as well as the OFF position.

2. With the unit OFF and unplugged, plug your equipment into the unit's rear panel AC outlets. DO NOT plug a space heater, vacuum cleaner, paper shredder or other large electrical device into the UPS outlets. The power demands of these devices will overload and possibly damage the unit.

3. Plug the MX5102 into a 2 pole, 3 wire grounded receptacle (wall outlet). Make sure the wall branch outlet is protected by a fuse or circuit breaker and does not service equipment with large electrical demands (e. g. refrigerator, copier, etc.) Avoid using extension cords. If used, the extension cord must be UL or CSA Listed, minimum 14 AWG, 3-wire grounded, and rated for 15 Amps.

4. Press the latching button to turn the unit on.

5. The rear panel circuit breakers will open and power to the connected equipment will be turned OFF if an overload is detected. To correct this, turn the unit off, unplug one piece of equipment from the UPS outlets, wait 10 seconds, check to make sure that the circuit breakers are reset, and turn the unit on.

6. The UPS battery will automatically charge whenever the unit is plugged into an AC outlet.

7. To maintain optimal battery charge, leave the unit plugged into an AC outlet at all times. Note: To store the MX-5102 for an extended period, cover it and store with the battery fully charged. Recharge the battery every three months to ensure battery life.

MX5102 Operation

When power is lost or disconnected for an under/over voltage fault, Outlet Bank 4 will switch from utility power (power supplied from the power company) to battery power.

Normal UPS Operation

The display will change from indicating input voltage to the estimated minutes of backup time. The IR output will activate to trigger required shutdown sequences in connected devices.

The internal buzzer will sound for 1 second in 5 second intervals. The buzzer can be turned off by pressing the Meter Dimmer/UPS Test Button.

After power is restored and stabilized, Outlet Bank 4 will automatically switch back to utility power.

Low Battery Warning

When the battery gets down to 3 minutes of backup time: the display will flash and the internal buzzer will sound at a quick rate.

When the battery can no longer support the connected load, Outlet Bank 4 is shut off and the buzzer will sound for 5 seconds, one time.

Overload Warning

When the load connected to Outlet Bank 4 exceeds 100% of the rated power:

- The display will flash "OL" (overload)
- The internal buzzer will sound at a quick rate

To remedy the overload:

Reduce the load on Outlet Bank 4 by reconnecting one device to an available outlet in Outlet Bank1 (preferred) or Outlet Bank 2.

Press and hold the Meter Dimmer/UPS Test Button for 2 seconds to initiate a test of the battery backup. If the load has been reduced to an acceptable level, MX5102 will return to normal operation.

MX5102 Advanced Operation

A connection to a UPS can benefit the volatile electronic memories found in High-End Home Theater equipment. The MX5102 takes this to the next level with a number of features designed specifically for AC Power back up applications.

Patent Pending Learning IR Control

The learning IR function lets you program the MX5102 to send standby or shut-down commands to components such as DLP ceiling projectors. If the power fails, the projector's lamps are turned off while the UPS continues providing battery power to the projector's cooling fan. Proper shutdown is ensured and expensive lamps are protected from damage. Note: This function should only be used with discrete IR codes. Programming an On/Off toggle command could result in the equipment being turned ON during a power failure!

IR Power Failure Operation

The MX5102 can learn two IR commands. The learned commands will be transmitted on both output jacks so you have the ability to control 2 different pieces of equipment or use a 2-step macro for one component.

1. After a power failure, the IR codes will be sent to both outputs after a 5 second delay. IR code 1 is sent first, followed by IR2 two seconds later.
2. There is no IR output after the power is restored to the system.

IR LED Color & Status

Off Idle

Green, solid: Waiting to receive IR signal

Green, flashing: IR signal sampled

Red, flashing: Failed to learn IR signal

To program IR output:

1. Press and hold the IR1 button for approximately 2 seconds.
2. When the IR1 LED turns solid GREEN, release the button (after approx. 2 seconds).

3. Point the remote control at the detector window and quickly press and release the appropriate button on the remote control. If no signal is received within 10 seconds, the programming mode is cancelled, the IR1 LED turns off and you will have to start over.

4. The IR1 LED flashes GREEN if the IR signal is sampled and stored in memory.

5. The IR1 LED will flash RED if the IR signal was not learned. Start over at Step 1.

6. Repeat steps 1-5 for IR2.

To clear IR programming:

1. Press and hold the appropriate IR button, release after 2 sec.

2. The IR LED turns solid Green.

3. Press the button again. The IR code will be erased from memory and the LED will turn off.

IR Output Test

1. An IR flasher must be connected to the UPS and in line-of sight to the IR receiver window of the equipment to be controlled in order to verify that the code was learned correctly.

2. Make sure that the component to be controlled is turned ON.

3. Press and release the IR button. The code for IR will be transmitted on both IR1 and IR2 outputs.

4. If you are testing a 2-step macro, be sure to press the second IR button to transmit that code.

5. If the learning process was successful, the controlled equipment should accept the IR command and turn off or go into standby mode.

6. Reprogram the IR command if the controlled equipment does not respond.

- a. Be sure that the batteries in the "teaching remote" are fresh and do not need to be replaced.

- b. If "press & release" (Step 3 in Programming) doesn't work, try "press & hold" on the remote control button being taught to the UPS.

Warranty Information

Panamax Power Conditioner Limited Product Warranty

Panamax warrants to the purchaser of this Panamax audio/video component style power conditioner, for a period of three (3) years from the date of purchase, that the unit shall be free of defects in design, material or workmanship, and Panamax will repair or replace any defective unit.

Upgrade Policy

Valid only in the United States and Canada

If your Panamax UPS sacrifices itself while protecting your connected equipment, you have an option to upgrade to the latest technology. Please go to our web sites www.panamax.com or contact Customer Relations at 800-472-5555 for details.

2 Year Battery Warranty

Please contact Panamax Customer Service for information regarding battery replacement and 2-year Battery Warranty.

Panamax Power Conditioner Limited Connected Equipment Protection Policy

It is the policy of Panamax that it will, at its election, either replace, pay to replace at fair market value, or pay to repair, up to the dollar amount specified below, equipment that is damaged by an AC power, cable, telephone, or lightning surge while connected to a properly installed Panamax power conditioner. To be eligible for compensation, repair and/or replacement, the power conditioner must show signs of surge damage or that it is operating outside of design specifications, relative to its surge protection capability, and under all of the circumstances failed to protect your connected equipment.

MX5102: \$5,000,000

THE CONNECTED EQUIPMENT POLICY IS SUBJECT TO THE FOLLOWING CONDITIONS AND LIMITATIONS

1. ORIGINAL OWNERSHIP REQUIREMENT:

Panamax's connected equipment policy extends to the original purchaser of the Panamax product only and is non-transferable. Original purchase receipts must accompany any product return or claim for connected equipment damage.

2. PROPER INSTALLATION: Panamax AC protectors must be directly plugged into a properly grounded 3-wire AC outlet. Extension cords*, non-grounded two prong adapters, or other non-Panamax surge products must not be used. Building wiring and other connections to protected equipment must conform to applicable codes (NEC or CEC). No other ground wires or ground connections may be used. All wires (including, e.g., AC power lines, telephone lines, signal/data lines, coaxial cable, antenna lead-ins) leading into the protected equipment must first pass through a single Panamax protector designed for the particular application. The protector and the equipment to be protected must be indoors in a dry location, and in the same building. Panamax installation instructions and diagrams must be followed.

3. NOTIFICATION: You must notify Panamax within ten days of any event precipitating request for product replacement or payment for connected equipment damage. A return authorization (RA) number must first be obtained from the Panamax Customer Relations Department at www.panamax.com** before returning the protector Panamax. At this time, you must notify Panamax if you believe you have a claim for damaged connected equipment. Once you obtain an RA number, please mark the number on the bottom of the unit and pack it in a shipping carton/box with enough packing material to protect it during transit. The RA number must also be clearly marked on the outside of the carton. Ship the unit Panamax. Please note that you are responsible for any and all charges related to shipping the unit to Panamax. If connected equipment damage was indicated on your RA request, Panamax will mail you claim kit to be completed and returned within 30 days. A connection diagram of your system will be required as part of the claim kit. Be sure to note its configuration before disconnecting your equipment.

4. DETERMINATION OF FAILURE: Panamax will evaluate the protector for surge damage. The Panamax protector must show signs of surge damage or must be performing outside (>10%) of design specifications relative to its surge protection capability. Opening the enclosure, tampering with, or modifying the unit in any way shall be grounds for an automatic denial your request for payment. Panamax, after evaluating all information provided, will determine whether or not your request is eligible for payment. If the surge protector shows no signs of AC power or signal line surge damage and is working within design specifications, Panamax will return the unit to you with a letter explaining the test results. Exceptions: If a dealer or installer replaces the protector for the customer, replacement will be returned to the dealer installer; or if the protector is a pre-1996 model, it will be replaced; or, for a Canadian customer, the protector will be replaced. Panamax reserves the right to inspect the damaged connected equipment, parts, or circuit boards. Please note that you are responsible for any and all charges related to shipping the damaged equipment to Panamax. Panamax also reserves the right to inspect the customer's facility. Damaged equipment deemed uneconomical to repair must remain available for inspection by Panamax until the claim is finalized.

5. REQUEST PAYMENTS:

Once Panamax has determined that you are entitled to compensation, Panamax will, at its election, either pay you the present fair market value of the damaged equipment, or pay for the cost of the repair, or send you replacement equipment, or pay the equivalence of replacement equipment.

6. OTHER INSURANCE/WARRANTIES: This coverage is secondary to any existing manufacturer's warranty, implied or expressed, or any insurance and/or service contract that may cover the loss.

7. EXCLUSIONS: THE PANAMAX CONNECTED EQUIPMENT PROTECTION POLICY DOES NOT APPLY TO: Service charges, installation costs, reinstallation costs; setup cost; diagnostic charges; periodic checkups; routine maintenance; loss of use of the product; costs or expenses arising out of reprogramming or loss of programming and/or data; shipping charges or fees; service calls; loss or damage occasioned by fire, theft, flood, wind, accident, abuse or misuse, and products subject to manufacturer's recall or similar event.

8. DISPUTE RESOLUTION: Any controversy or claim arising out of or relating to Panamax's Connected Equipment Protection Policy, or the alleged breach thereof, shall be settled by arbitration administered by the American Arbitration Association under its Commercial Arbitration Rules. You may file for arbitration at any AAA location in the United States upon the payment of the applicable filing fee. The arbitration will be conducted before a single arbitrator, and will be limited solely to the dispute or controversy between you and Panamax. The arbitration shall be held in any mutually agreed upon location in person, by telephone, or online. Any decision rendered in such arbitration proceedings will be final and binding on each of the parties, and judgment may be entered thereon in a court of competent jurisdiction. The arbitrator shall not award either party special, exemplary, consequential, punitive, incidental or indirect damages, or attorney's fees. The parties will share the costs of arbitration (including the arbitrator's fees, if any) in the proportion that the final award bears to the amount of the initial claim.

9. GENERAL: If you have any questions regarding the product warranty or the connected equipment protection policy, please contact the Panamax Customer Relations Department at www.panamax.com. The Limited Product Warranty and Connected Equipment Policy herein supersede all previous warranties and/or Connected Equipment repair/replacement policies.

THE LIMITED PRODUCT WARRANTY IS THE ONLY WARRANTY PROVIDED WITH THIS PANAMAX PRODUCT AND ANY OTHER IMPLIED OR EXPRESSED WARRANTIES ARE NON-EXISTENT.

This warranty may not be modified except in writing, signed by an officer of the Panamax Corporation.

* The use of a Panamax extension cord or equivalent (UL or CSA listed, minimum 14AWG, 3-wire grounded) will not invalidate the warranty.

** Forms are available on the Panamax web site for requesting RAs and opening a claim for connected equipment damage.

Warning Notice

WARRANTY LIMITATION FOR INTERNET PURCHASERS

Panamax products purchased through the Internet do not carry a valid Connected Equipment Protection Policy unless purchased from an Authorized Panamax Internet Dealer! Authorized Panamax Internet Dealers have sufficient expertise to insure warranty compliant installations. For a list of Authorized Panamax Internet Dealers go to www.panamax.com.

CAUTION: Audio/Video, computer and/or telephone system installations can be very complex systems, which consist of many interconnected components. Due to the nature of electricity and surges, a single protector may not be able to completely protect complex installations. In those cases, a systematic approach using multiple protectors must be employed. Systematic protection requires professional design. AC power, satellite cables, CATV cables, A/V signal line cables or telephone/network lines entering the system that do not pass through a Panamax surge protector will render the Panamax connected equipment protection policy null and void. For additional information on how to protect your system, please contact Panamax before connecting your equipment to the surge protector.

More detailed information is available at www.panamax.com.

If you have any questions regarding these requirements, please contact Customer Relations.

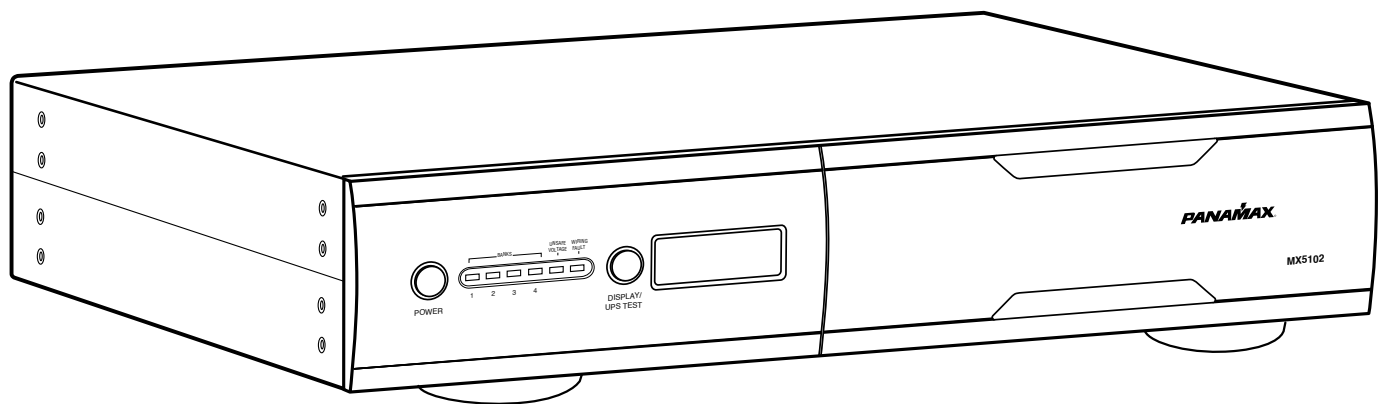
PANAMAX

MODEL - MX5102
DOC. NO. IWS00850_EN REV. A
Effective Date 1/8/09

INS00850-EN REV. D 4/09

MX5102 Instructions

Un completo de administración de energía, protección, y la batería de soluciones de copia de seguridad



Caractéristiques:

- Protection contre les surtensions et AVM
- LiFT Noise Filtration
- Double Filtration bruit apprentissage IR de sortie
- Inclus Rack Ears

PANAMAX

INS00850 REV. D - FR 4/09

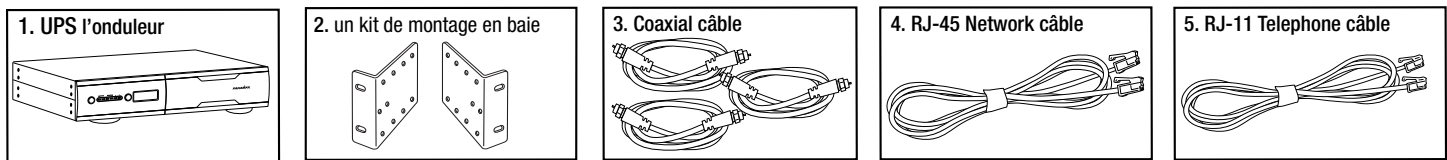
© 2009 Panamax, Inc., 1690 Corporate Circle, Petaluma, CA 94954 • www.panamax.com • 707-283-5900 • Fax 707-283-5901

Table des matières

Caractéristiques.....	pg. 1
Consignes de sécurité / Avis FCC.....	pg. 2
Principales caractéristiques et fonctions.....	pg. 3
Front et Back Panel Descriptions.....	pg. 4
Installation de votre MX5102 / UPS opération.....	pg. 5
Advanced opération.....	pg. 6
Renseignements sur la garantie.....	pg. 7

Avant de commencer

Inspectez bien votre onduleur dès sa réception. Outre ce manuel, l'emballage doit contenir les éléments suivants :



MX5102 Spécifications

Alimentation c. a.

Line Voltage	120V, 60Hz
Total Current Capacity	12 A
Dissipation de l'énergie	1800 Joules
Circuit catastrophique Surge	Yes
Thermal Fusing	Yes

Overvoltage Shutoff, fast rise	150 ± 5 V
Overvoltage Shutoff, slow rise	132 ± 5 V
Undervoltage Shutoff	90 ± 5 V

EMI/RFI Noise Filtration

Bank 1 EMI Filtration	66dB Max, 100kHz-2MHz
Bank 2 EMI Filtration	66dB Max, 100kHz-2MHz

UPS Output

La tension	120 ± 5% Simulated Sine Wave
Frequency	60 Hz ± 1%
UPS Output Capacity	600VA/360W @ 0.6pf
UPS Backup Time	3 minutes at full load
Transfer Time	< 10ms

Les spécifications sont sujettes à modifications en raison de mises à jour des produits et des améliorations.

DC Trigger Input

Connexions	3.5mm (1/8") mono mini-plug
La tension et la polarité	3 - 18V DC, bidirectional
Current Requirement	4.6 mA @3V, 58 mA @18V

LAN Circuits

Clamping Level	50V
Connexions	RJ-45
Wires Protected	8-Wires

Telephone Circuit

Fuseless/Auto-resetting	Oui
Clamping Level	275V
Suppression Modes	Metallic & Longitudinal
Connexions	RJ-11
Wires Protected	2-Wire, Pins 4 & 5

Cable and Satellite Circuits

HD 1080 i/p Ready	Oui
Bi-directional	Oui
Shielded	Oui
Clamping Level	75V
Frequency Range	0MHz - 2.2 GHz
Insertion Loss	< 0.5 dB
Connexions	Female "F", Gold Plated

PANAMAX

Pour votre sécurité

Ce manuel contient des instructions importantes qu'il convient de suivre lors des opérations d'installation et de maintenance de l'onduleur et des batteries. Veuillez prendre soin de lire ces instructions et de les suivre scrupuleusement lors de l'installation et de l'utilisation de l'appareil. Lisez ce manuel dans son entier avant de procéder au déballage, à l'installation ou à la mise en route de votre onduleur.

S'il vous plaît lisez et suivez attentivement les instructions lors de l'installation et le fonctionnement de l'unité. Lire attentivement ce manuel avant d'essayer de le déballer, installer, ou de faire fonctionner.

ATTENTION ! Risque d'explosion si la batterie est remplacée ay un type incorrect.

ATTENTION ! L'onduleur doit être branché sur une prise de courant alternatif protégée par un fusible ou un disjoncteur. NE le branchez PAS sur une prise de courant sans mise à la terre. Si vous souhaitez mettre l'appareil hors tension, éteignez-le avant de le débrancher.

ATTENTION ! CET APPAREIL NE DOIT PAS ÊTRE UTILISÉ AVEC DES ÉQUIPEMENTS MÉDICAUX OU DE MAINTIEN DE LA VIE.

Les dispositifs fournis par Panamax ne sont pas destinés à des applications médicales ou de maintien de la vie. N'utilisez JAMAIS cet appareil dans des circonstances où le fonctionnement ou la sécurité d'équipements de maintien de la vie, d'applications médicales ou de soin des patients pourrait être affecté.

ATTENTION ! Même lorsque le cordon d'alimentation est débranché, les parties internes peuvent recevoir suffisamment de courant de la batterie pour être dangereuses.

ATTENTION ! Pour éviter les risques d'incendie ou de choc électrique, l'appareil doit être installé dans un local libre de contaminants conducteurs et dont la température et l'humidité sont contrôlées (reportez-vous aux spécifications techniques pour prendre connaissance des plages de température et d'humidité acceptables).

ATTENTION ! Pour éviter les risques de choc électrique, ne soulevez pas le couvercle. Aucune pièce réparable par l'utilisateur ne se trouve à l'intérieur.

ATTENTION ! Pour éviter les risques de choc électrique, éteignez l'appareil et débranchez l'alimentation avant d'installer un composant quelconque.

ATTENTION ! CET APPAREIL NE DOIT PAS ÊTRE UTILISÉ AVEC, NI À PROXIMITÉ D'UN AQUARIUM !

Pour éviter les risques d'incendie, n'utilisez pas cet appareil avec, ni à proximité d'un aquarium. Si elle atteignait les contacts en métal, la condensation provenant de l'aquarium pourrait provoquer un court-circuit.

Remarque : Comme tous les dispositifs de gestion du courant alternatif, les onduleurs sont limités à certaines valeurs en termes de charges réactives et de puissance. Le MB1000 a une capacité maximale de 600 VA, soit environ 600 watts. Si la consommation d'énergie dépasse cette capacité de façon excessive, la durée de vie de la batterie et les performances de l'appareil en seront affectées.

Pluggable Pour l'équipement, la prise de courant doit être installée près de l'équipement et doit être facilement accessible.

ATTENTION : Pour réduire les risques d'incendie, de se connecter uniquement à un circuit muni d'un maximum de 20 ampères circuit de protection contre les surintensités en conformité avec le National Electric Code, ANSI / NFPA 70.

Pour éviter tout choc électrique, un tournevis doit être utilisé pour enlever les vis pour ouvrir le couvercle de batterie avant de remplacer la batterie. Doivent fermer le compartiment des piles en utilisant tournevis pour serrer les vis.

NOTE AUX INSTALLATEURS CATV

Le rappel est fourni pour attirer l'attention sur l'article 820-40 de NEC thr. Cet article fournit des orientations pour la bonne terre. Il précise que le câble de terre doit être connecté au système de l'échouement du bâtiment et aussi près du point d'entrée en pratique.

Avis FCC

Avis FCC

Cet appareil a subi des tests de contrôle et a été déclaré conforme aux limites imposées aux appareils numériques de Classe B par la section 15 de la réglementation FCC. Ces limites ont été établies pour assurer une protection raisonnable contre les interférences indésirables lorsque l'appareil fonctionne dans un environnement résidentiel. Cet appareil génère, exploite et peut émettre un rayonnement de fréquence radio. En outre, en cas d'installation et d'utilisation non conforme aux instructions, il risque de provoquer des interférences indésirables avec les transmissions radio. Rien ne garantit qu'aucune interférence ne se produira dans une installation donnée. Si l'utilisation de cet appareil provoque des interférences indésirables avec la réception radio ou télévision (ce que vous pouvez déterminer en l'éteignant, puis en le rallumant), il est recommandé d'essayer d'y remédier en prenant une ou plusieurs des mesures suivantes :

(1) Réorientez ou déplacez l'antenne de réception.

(2) Augmentez la distance entre l'appareil et le récepteur.

(3) Branchez l'appareil sur une prise de courant située sur un circuit différent de celui du récepteur.

(4) Contactez votre détaillant ou un technicien qualifié en réparation radio/télévision. Si un accessoire spécifique est nécessaire pour assurer la conformité de l'appareil, cela doit être précisé dans les instructions.

ATTENTION : Un cordon d'alimentation blindé est nécessaire pour respecter les limites d'émission fixées par la FCC et pour empêcher les interférences avec les récepteurs radio ou télévision placés à proximité. Il est impératif de n'utiliser que le cordon d'alimentation fourni. Ne connectez de périphériques d'entrée/sortie à cet appareil qu'avec des câbles blindés.

ATTENTION : Toute modification apportée à ce produit qui n'est pas expressément approuvée par la garantie peut priver l'utilisateur de son droit d'utiliser l'appareil.

Principales caractéristiques et fonctions

Séquencement des mises sous/hors tension :

les systèmes audio/vidéo complexes peuvent être endommagés par des sautes de tension internes si tous les éléments du système sont mis sous tension ou hors tension en même temps. Cela peut provoquer des « claquements » dans les haut-parleurs ce qui est non seulement ennuyant mais peut également les endommager. Le système MX5102 a été conçu pour éliminer ces sautes de tension en ajoutant une temporisation à la mise sous tension des prises haute tension et à la mise hors tension des blocs prises commutées. Ainsi, les périphériques branchés aux blocs prises commutées peuvent se mettre sous tension et se stabiliser avant que des amplificateurs ou caissons des basses ne se mettent sous tension. Le processus s'effectue de manière inverse à la mise hors tension. Les amplificateurs et caissons des basses sont mis hors tension, leur alimentation se décharge et finalement, les équipements qui sont branchés aux blocs prises commutées sont mis hors tension.

Déclenchement avec détection de la tension

en entrée, le déclencheur avec détection de la tension MX5102 utilise un mini-connecteur mono standard de 3,5 mm (1/8 po). Un signal correspondant à la tension du courant continu active ou désactive le MX5102. De nombreux composants, comme par exemple les pré-amplis et les amplis-syntonneurs disposent d'un déclencheur sur signal en courant continu et transmettent un signal correspondant à l'alimentation quand ils sont mis sous tension et sont utilisés. La présence de ce signal va activer les prises commutées du MX5102. Quand le composant source est mis hors tension, le signal correspondant à la tension est également éteint et la séquence de mise hors tension du MX5102 est lancée. Un adaptateur C.A. de tension appropriée, branché à une prise commutée, peut également être utilisé si un déclencheur C.C. n'est pas intégré.

Battery Backup Outlet Banque

Aujourd'hui, les systèmes audio / vidéo comprennent plusieurs éléments qui profiteraient grandement de pouvoir ininterrompu. Cable boîtes et les récepteurs satellite prendre beaucoup de temps pour récupérer toutes les informations de programmation, après une panne de courant. Mobile peuvent continuer à enregistrer des programmes réguliers. Projection de la télévision peut ne pas les ampoules de choc thermique, si le pouvoir est brusquement interrompu et la télévision ne peut pas passer par le cycle de refroidissement. MX5102 comprend une banque de 2 Uninterruptible Power Supply (UPS) points de vente

Apprentissage IR Control

La fonction d'apprentissage vous permet d'envoyer MX5102 programme de veille ou d'arrêt des commandes de composants tels que les projecteurs DLP plafond ou les téléviseurs à projection arrière. Par exemple: si la puissance échoue, la lampe du projecteur est mis hors tension alors que la batterie de back-up de continuer à fournir des points de la batterie à la projection du ventilateur de refroidissement. La bonne fermeture est assurée et coûteux feux sont protégés contre les dommages. MX5102 peuvent apprendre un maximum de deux commandes IR discrets d'envoyer une seule commande pour deux appareils, ou d'envoyer un macro-commande à un seul appareil.

Protection automatique contre les fluctuations de la tension :

les circuits de contrôle en instance de brevet de Panamax contrôlent en permanence l'alimentation C.A. pour repérer les fluctuations de tension dangereuses comme, par exemple, pointes de tension momentanées, les périodes prolongées de surtension ou de subtension. Ces conditions dangereuses risquent d'endommager tous les équipements électroniques dans votre domicile. Si le MX5102 détecte un danger dans l'alimentation, il coupe automatiquement l'alimentation de vos appareils pour les protéger contre les dommages. Il la reconnecte automatiquement quand la tension est revenue à un niveau sans danger. Protection ou déconnexion du courant alternatif en cas de surtension : Quand le système MX5102 détecte une surtension importante, la tension de sortie est limitée à un niveau sûr et le courant de choc est dérivé pour épargner les appareils reliés au système.

• S'il est soumis à une surtension de 6 000 V (tension en circuit ouvert) / 500 A (courant de court circuit), le système MX5102 limite la tension de sortie de crête à moins de 330 V, la meilleure valeur accordée par les laboratoires américains instigateurs des normes UL. Le MX5102 peut supporter sans subir de dommages jusqu'à 20 000 A en surtension, ce qui excède de loin la norme des laboratoires UL qui spécifient une résistance à une surtension de seulement 3000 ampères.

• Si la surtension dépasse la capacité de protection du MX5102, ses circuits Protect or Disconnect (protection ou déconnexion) déconnecteront l'équipement pour le protéger. Si cela arrive, il faudra faire réparer ou remplacer le MX5102.

Protection du signal câble/satellite/antenne

Les circuits de protection des câbles coaxiaux permettent d'obtenir une qualité optimale du signal grâce à nos nouveaux protecteurs coaxiaux, qui offrent les plus faibles chutes de signal sur le marché - une atténuation de moins de 0,5 db entre 5MHz et 2,2 GHz. Notre protection coaxiale améliorée a été conçue tout spécialement pour éliminer presque toutes les pertes de signal. Le niveau de blocage de 75 V répond aux besoins en termes de tension aussi bien du câble que du satellite, tout en minimisant les risques causés par les pointes de tension et les surtensions transitoires.

Protection de la ligne téléphonique :

Les enregistreurs numériques et les récepteurs de télévision par satellite ont besoin d'une connexion téléphonique pour recevoir les programmes et/ou pour profiter de la programmation avec paiement à la carte. Cette ligne téléphonique est également protégée par le MX5102 contre les surtensions. Le système est fourni avec deux prises de téléphone RJ-11. Le niveau de blocage du circuit de protection du téléphone du MX5102 est réglé à 270 volts. Cela permet de laisser passer dans le circuit la tension d'appel typique (90-130 VAC) et la tension de la batterie (-48 DC) tout en protégeant le modem du récepteur satellite contre les dommages.

LAN

Circuits de protection pour les câbles Ethernet 10/100 baseT. Les cordons du réseau local DOIVENT être connectés à l'entrée en ligne (« LINE »). Les cordons reliés aux équipements DOIVENT être connectés aux entrées pour les équipements (« EQUIP »). Protection 8 fils, blocage 50 V.

Blocs prises isolés Technologie LiFT de filtration des bruits électromagnétiques et radioélectriques avec isolation entre les blocs prises :

Les composants audio/vidéo sont constamment sous le bombardement des bruits électromagnétiques (EMI) et radioélectriques (RFI) qui transitent par leurs câbles d'alimentation. Les impuretés de l'alimentation peuvent affecter l'équipement audio ou vidéo et diminuer les performances générales de tout le système. Certains des symptômes provoqués par une alimentation douteuse peuvent prendre la forme de claquements, de sifflements, de bourdonnements et d'interférences visuelles. Le MX5102 a été conçu pour filtrer ces bruits, pour fournir au système une alimentation propre et pour offrir une isolation aux interférences entre les blocs prises. Le bruit créé par un composant audio-visuel ne peut pas contaminer l'alimentation des équipements branchés dans les autres blocs prises.

Technologie de filtration linéaire (LiFT)

Il n'existe pas d'autre appareil qui peut mieux filtrer les bruits d'alimentation C.A. LiFT élimine avec uniformité le bruit sur tout le spectre audio, ce qui permet d'assurer la qualité des performances audio et vidéo en réduisant les distorsions harmoniques et en améliorant le rapport signal/bruit. LiFT vous assure des performances continues et la meilleure résolution possible par rapport à tout autre système audio ou vidéo.

Front and Back Panel Descriptions

Interrupteur

Appuyez sur l'interrupteur et maintenez-le enfoncé pendant 2 secondes pour allumer l'onduleur.

Indicador de voltaje peligroso

Normalmente Apagado. Parpadeará en color rojo para indicar que el voltaje de línea entrante es peligroso y la unidad ha desconectado la alimentación para proteger sus equipos.

Meter Dimmer / UPS Bouton Test

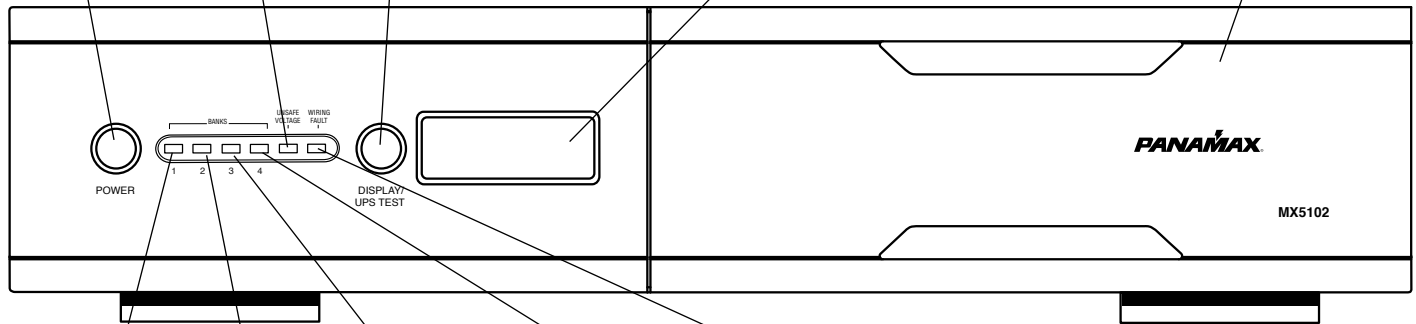
Un rapide de presse le bouton du cycle de l'appareil et la face avant au travers de plusieurs niveaux de luminosité. Appuyez et maintenez le bouton pour lancer un cycle d'essai UPS. Au cours de UPS mode, en appuyant sur le bouton pour éteindre la sonnerie d'alerte interne.

Voitromètre numérique / UPS Affichage de l'état

En fonctionnement normal, le voltromètre numérique LED indique la future ligne de tension. Si la tension d'alimentation tombe au-dessous de 90VAC, 132VAC ou dépasse, la dangereuse tension LED se met à clignoter et l'écran indique l'estimation de minutes de temps de batterie de secours.

Panneau d'accès à la batterie

Facilement amovible pour accès et remplacement de la batterie.



Indicateur du bloc de prises 1

S'allume en bleu quand le bloc de prises 1 fonctionne normalement.

Indicateur du bloc de prises 2

S'allume en bleu quand le bloc de prises 2 fonctionne normalement.

Indicateur du bloc de prises 3

S'allume en bleu quand le bloc de prises 3 fonctionne normalement.

Indicateur du bloc de prises 4

S'allume en bleu quand le bloc de prises 4 fonctionne normalement.

Indicateur de défaut de câblage

Ce voyant DEL s'allume en rouge pour prévenir l'utilisateur d'un problème de câblage, par exemple une mise à la terre défective ou une inversion du câblage au niveau de la prise d'alimentation. Si ce voyant est allumé, débranchez tous les équipements et faites vérifier le câblage de la prise par votre électricien.

Bloc de prises 4

Deux toujours, alimenté par batterie, prises protégées pour les équipements connectés temporaire assurer le fonctionnement ininterrompu de l'équipement connecté au cours d'une puissance failure.

Bloc de prises 3

Deux sous tension, à courant élevé points de vente contrôlés par le bouton d'alimentation du panneau avant ou à l'entrée de déclenchement DC. Banque 3 a 5 second tour sur le retard et s'éteint immédiatement. Le Haut courant de sortie fournit la puissance d'un bruit de faible impédance du circuit de filtration qui ne limite pas le courant à votre équipement. Sa sortie est isolé du bruit de sortie de toutes les autres banques.

Disjoncteurs pour protection contre les surcharges

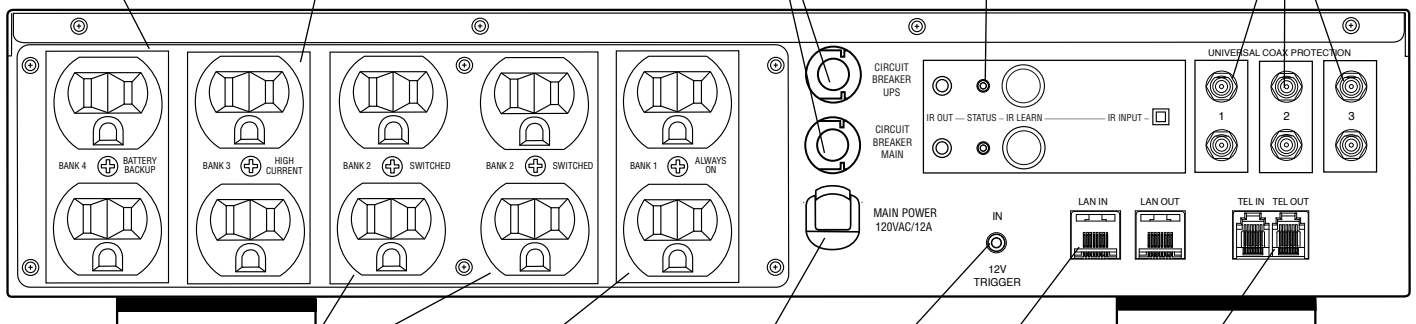
Ces disjoncteurs réinitialisables assurent une protection optimale contre les surcharges.

Contrôle infrarouge

Voyant DEL : indique l'état du système. Prises de sortie infrarouge: prise mono standard 3,5 mm pour connexion d'un indicateur clignotant à infrarouges (non inclus).

Prises coaxiales universelles pour TV

3 paires de circuits de protection bidirectionnels optimisés pour les câbles de satellite, télé câblée ou antenne aérienne.



Bloc prises 2

Quatre sorties haute tension commutées à technologie de filtration linéaire (LIFT, Linear Filtration Technology) contrôlées par le commutateur d'alimentation en façade ou par le déclencheur C.C. Le bloc prises 2 se met immédiatement sous tension et se met hors tension après une temporisation de 5 secondes.

Bloc prises 1

Deux sorties haute tension toujours sous tension à technologie de filtration linéaire (LIFT, Linear Filtration Technology). L'alimentation n'est coupée qu'en cas d'anomalie.

Cordon d'alimentation en courant alternatif

Entrée du déclencheur sur lecture de la tension
Mini-connecteur mono de 3,5 mm (1/8 po).

Connecteurs LAN

Circuits de protection pour les câbles Ethernet 10/100 baseT. Les cordons du réseau LAN en entrée DOIVENT être branchés à l'entrée en ligne ("LINE"). Les cordons reliés aux équipements DOIVENT être connectés aux prises pour les équipements ("EQUIP"). 1 prise LAN est connectée à la sortie en façade.

Prises téléphonique

Circuits de protection pour les fils de téléphone ou de télévision à la demande standard. Le circuit pour le téléphone se réinitialise automatiquement. Le fil du téléphone DOIT être branché à l'entrée en ligne ("LINE"). Les cordons reliés aux équipements (récepteur satellite, enregistreur numérique, téléphone, etc.) DOIVENT être connectés aux entrées pour les équipements (« EQUIP »).

Installation MX5102

1. Votre nouvel onduleur est prêt à l'emploi dès sa réception. Toutefois, il est recommandé de charger la batterie pendant au moins quatre heures pour lui assurer une charge maximale. En effet, une perte d'énergie a pu se produire au cours du stockage ou du transport. Pour recharger la batterie, il suffit de laisser l'appareil branché sur une prise de courant alternatif. L'appareil se chargera aussi bien en position de marche (ON) qu'en position d'arrêt (OFF).

2. Avec l'onduleur débranché et en position d'arrêt, branchez votre matériel sur les sorties courant alternatif du panneau arrière. N'y connectez JAMAIS un radiateur électrique, un aspirateur, une déchiqueteuse de documents, ni aucun gros appareil électrique. Les besoins en électricité de ces appareils pourraient provoquer une surcharge et l'endommager.

3. Branchez l'onduleur sur une prise à la terre à deux pôles et 3 fils (prise murale). Assurez-vous que la prise murale est protégée par un fusible ou un disjoncteur et ne dessert pas d'autre équipement ayant des besoins électriques importants (par ex. : réfrigérateur, photocopieur, etc.). Évitez d'avoir recours à des rallonges. Si vous devez utiliser une rallonge, elle doit être homologuée UL ou CSA, minimum 14 AWG, à trois fils avec mise à la terre et d'une capacité nominale de 15 Amp.

4. Appuyez sur l'interrupteur et maintenez-le enfoncé pendant

5. Si une surcharge est détectée, les disjoncteurs du panneau arrière s'ouvriront pour couper l'alimentation des équipements connectés. Pour remédier à ce problème, éteignez l'onduleur, débranchez au moins un appareil, attendez 10 secondes, vérifiez que les disjoncteurs sont réinitialisés et rallumez l'onduleur.

6. The UPS battery will automatically charge whenever the unit is plugged into an AC outlet.

7. Pour assurer le chargement optimal de la batterie, laissez l'onduleur branché en permanence. Remarque : Si vous n'avez pas l'intention d'utiliser votre onduleur pendant une longue période, couvrez-le et mettez-le de côté avec une batterie chargée au maximum. Pour conserver la durée de vie de la batterie, rechargez-la tous les trois mois.

MX5102 Opération

Lorsque la puissance est perdue ou déconnecté d'un sous / sur la tension de défaut, la Banque de liquidation 4 utilisera de passer de la puissance (puissance fournies par la compagnie d'électricité) à la batterie.

Normal Operation UPS

L'affichage va changer à l'indication de la tension d'entrée à l'estimation de minutes de temps de sauvegarde. L'IR sortie activera nécessaire pour déclencher l'arrêt des séquences dans les périphériques connectés.

Le buzzer interne retentit pendant 1 seconde à 5 secondes d'intervalle. Le vibreur peut être désactivé en appuyant sur la Meter Dimmer / UPS Test Button.

Après le courant est rétabli et stabilisé, la Banque de liquidation 4 passera automatiquement à l'utilité de pouvoir.

Avertissement de batterie faible

Lorsque la batterie est à 3 minutes de temps de sauvegarde: l'affichage clignote et le buzzer sonore interne à un rythme rapide.

Lorsque la batterie ne peut plus supporter la charge connectée, la Banque de sortie 4 est coupé et la sonnerie retentit pendant 5 secondes, une seule fois.

Avertissement de surcharge

Lorsque la charge connectée à la Banque de sortie 4 est supérieur à 100% de la puissance nominale:

L'écran va clignoter "OL" (surcharge)

Le buzzer interne sonore à un rythme rapide

Pour remédier à la surcharge:

Réduire la charge sur 4 par la Banque de liquidation de rebrancher un appareil à une prise de courant disponible en sortie Bank1 (de préférence) ou la Banque de liquidation 2.

Appuyez et maintenez la Meter Dimmer / UPS Bouton de test pour les 2 secondes pour lancer un test de la batterie de secours. Si la charge a été réduite à un niveau acceptable, MX5102 sera de retour au fonctionnement normal.

MX5102 Advanced Operation

Une connexion à une ASI peuvent bénéficier de la volatilité des mémoires électroniques dans High-End Home Theater équipement. La MX5102 a ce niveau à l'autre avec un certain nombre de caractéristiques conçues spécialement pour les AC Power sauvegarder applications.

Patent Pending Learning IR Control

L'apprentissage IR fonction vous permet de programmer le MX5102 de veille ou d'envoyer l'arrêt de commandes de composants tels que les projecteurs DLP plafond. Si le pouvoir ne parvient pas, le projecteur de feux sont éteints alors que l'onduleur continue de fournir l'énergie de la batterie au ventilateur de refroidissement du projecteur. La bonne fermeture est assurée et coûteux feux sont protégés contre les dommages. Remarque: Cette fonction ne doit être utilisé avec les codes IR discrets. Une programmation On / Off passer commande pourrait se traduire par l'équipement qui est activée lors d'une panne d'électricité!

IR Panne de l'opération

La MX5102 peuvent apprendre deux commandes IR. Le savant commandes seront transmis sur les deux prises de sortie pour que vous ayez la possibilité de contrôler 2 différentes pièces d'équipement ou d'utiliser une macro 2-step pour une composante.

1. Après une panne d'électricité et sur le retard, les codes infrarouges seront envoyés à deux sorties. IR code 1 est envoyé en premier, suivi par IR2 deux secondes plus tard.

2. Il n'y a pas d'IR de sortie après que le courant est rétabli pour le système.

IR LED Color & Status

Off Idle

Green, solides: En attendant de recevoir le signal IR

Green, clignotant: IR signal échantillonné

Rouge, clignotant: Impossible de savoir signal IR

Pour programmer IR sortie :

1. Appuyez et maintenez le bouton IR1 pendant environ 2 secondes.

2. Lorsque le voyant devient IR1 GREEN, relâchez le bouton (après env. 2 secondes).

3. Pointez la télécommande vers le détecteur de la fenêtre et appuyez et relâchez rapidement le bouton de la télécommande. Si aucun signal n'est reçu dans les 10 secondes, le mode de programmation est annulé, le IR1 s'éteint et vous devrez recommencer.

4. IR1 Le voyant clignote en vert si le signal IR est prélevé et stocké en mémoire.

5. IR1 La LED clignote en rouge si le signal IR n'a pas été apprise. Début de plus à l'étape 1.

6. Répétez les étapes 1-5 pour IR2.

Pour effacer la programmation IR:

1. Appuyez et maintenez le bouton IR, la libération, après 2 sec.

2. Les LED IR devient vert.

3. Appuyez de nouveau sur la touche. IR Le code sera effacé de la mémoire et le voyant s'éteint.

IR Output Test

1. Un flasheur IR doivent être connectés à l'onduleur et en ligne de vue à la fenêtre du récepteur IR de l'équipement pour être contrôlés afin de vérifier que le code a été correctement appris.

2. Assurez-vous que le composant à contrôler est activée.

3. Appuyez et relâchez le bouton IRX. Le code pour IRX seront transmises sur IR1 et IR2 sorties.

4. Si vous testez une macro 2-step, assurez-vous d'appuyer sur le bouton IR secondes pour transmettre ce code.

5. Si le processus d'apprentissage a été un succès, l'équipement devrait accepter l'IR de commandement et de désactiver ou de passer en mode veille.

6. Reprogrammer l'IR de la commande si l'équipement ne répond pas.

A. Assurez-vous que les piles de «l'enseignement à distance» sont fraîches et n'ont pas besoin d'être remplacé.

B. Si «la presse et la libération» (étape 3 de programmation) ne fonctionne pas, essayez "press & hold" sur le bouton de contrôle à distance d'être enseigné à l'UPS.

Renseignements sur la garantie

Garantía limitada del acondicionador de energía eléctrica Panamax

Panamax garantiza al comprador de este acondicionador de energía eléctrica Panamax para dispositivos de audio/video, durante un período de tres (3) años desde la fecha inicial de compra, que el dispositivo estará exento de defectos de diseño, materiales o fabricación, y durante este período Panamax reparará o reemplazará cualquier unidad defectuosa.

Programa de actualización de productos

Válido sólo en los Estados Unidos y Canadá.

Si su acondicionador de energía eléctrica Panamax da su vida a cambio de proteger sus equipos conectados, le ofrecemos la posibilidad de actualizarse a la tecnología más reciente. Para más información, visite nuestro sitio Web www.panamax.com/rma o comuníquese con el Departamento de relaciones con el cliente 800-472-5555.

Garantie de 2 ans de batterie

S'il vous plaît contactez Panamax Service à la clientèle pour plus de renseignements sur le remplacement de la batterie et la batterie de 2 ans de garantie..

Equipo Conectado Limitado al Acondicionador de Energía Eléctrica Panamax

La política que Panamax aplica en caso de que algún dispositivo conectado a un acondicionador de energía eléctrica Panamax bien instalado resultase averiado como consecuencia de un sobrevoltaje en un cable de alimentación eléctrica, un cable de señal, un cable telefónico, o por un relámpago, consiste, a su discreción exclusiva, en reemplazar dicho dispositivo, reembolsar al cliente el precio de dicho producto a valor de mercado para que el cliente pueda adquirir otro, o pagar el costo de la reparación, hasta el importe en dólares detallado a continuación. Panamax deberá observar que el acondicionador de energía eléctrica presenta signos de avería a causa del sobrevoltaje eléctrico, o que está funcionando fuera de las especificaciones de protección contra sobrevoltaje para las que fue diseñado, y en todas las circunstancias no logró proteger correctamente su equipo conectado.

MX5102: \$5,000,000

ESTA GARANTÍA ESTÁ SUJETA A LAS SIGUIENTES CONDICIONES

1. SER EL PROPIETARIO ORIGINAL:

La Política de equipos conectados de Panamax sólo cubre al comprador original del producto Panamax, y es intransferible. Toda devolución de producto o reclamación de daños en un equipo conectado deberá ir acompañada de las facturas de compra originales.

2. INSTALACIÓN CORRECTA : Los protectores de corriente alterna Panamax deben estar conectados directamente a un tomacorrientes de corriente alterna con una adecuada toma de tierra. No deben utilizarse cables de extensión*, adaptadores a enchufe de dos contactos sin toma de tierra, ni ningún otro producto de protección contra sobrevoltaje no suministrado por Panamax. El cableado del inmueble y todas las demás conexiones de los equipos protegidos deben cumplir los reglamentos electrotécnicos aplicables (NEC o CEC). No debe utilizarse ningún otro alambre de toma de tierra o conexión de puesta a tierra. Todos los cables (incluidos, por ejemplo, los de alimentación eléctrica, las líneas telefónicas, las líneas de datos o de señal, los cables coaxiales y las líneas de antena) que vayan conectados al equipo protegido deben pasar antes por un único protector Panamax diseñado para esa aplicación concreta. El protector y el equipo a proteger deben estar instalados en interiores, en un lugar, y en el mismo inmueble. Deberán seguirse todas las instrucciones de instalación y diagramas de Panamax.

3. NOTIFICACIÓN: Usted deberá informar a Panamax, en un plazo de diez días, de cualquier circunstancia que pueda precipitar la solicitud de sustitución de un producto o el pago de daños a los equipos conectados. Antes de devolver el protector Panamax, el cliente deberá obtener un número de autorización de devolución de mercancía (RMA, Return Merchandise Authorization) a través del Departamento de relaciones con el cliente de Panamax (Customer Relations Department), en la dirección www.panamax.com/support **. Al hacerlo, deberá indicar a Panamax si cree procedente plantear alguna reclamación por daños en equipos conectados. Una vez haya obtenido un número de RMA, marque ese número en la parte inferior de la unidad y empáquelo en una caja de cartón con material de embalaje suficiente para protegerlo durante su tránsito. El número de RMA debe ir marcado también claramente en el exterior de la caja. Envíe la unidad a Panamax. Tenga en cuenta que todos los gastos de transporte de la unidad hasta Panamax corren por cuenta de usted. Si su solicitud de RMA indicaba la existencia de daños en equipos conectados, Panamax le enviará por correo su documentación de reclamación, que deberá rellenar y devolvernos en un plazo de 30 días. Dentro de la documentación de reclamación, se le pedirá que incluya una diagrama de conexión de su sistema. No olvide anotar esta configuración antes de desconectar su equipo.

4. DETERMINACIÓN DE LA FALLA: Panamax evaluará el estado del protector para determinar si ha sufrido daños a causa del sobrevoltaje eléctrico. El protector Panamax deberá mostrar signos de daños por sobrevoltaje eléctrico, o estar funcionando fuera (>10%) de sus especificaciones de diseño en lo relativo a la capacidad de protección contra sobrevoltaje eléctricos. Abrir el recinto, manipular su interior o modificar la unidad de algún modo pueden ser causas de rechazo inmediato de su solicitud de reembolso. Panamax, una vez evaluada toda la información facilitada, determinará si su solicitud cumple o no los requisitos de reembolso. Si el protector contra sobrevoltaje eléctricos no presenta ningún signo de daños provocados por sobrevoltaje en líneas de señal o en cables de corriente alterna y está funcionando dentro de sus especificaciones de diseño, Panamax le devolverá la unidad junto con una carta explicando los resultados de las pruebas e informándole del rechazo de su reclamación. Excepciones: Si la sustitución del protector del cliente hubiera sido realizada por un concesionario o instalador, el producto de sustitución será devuelto al instalador del concesionario, o bien, si se trata de un modelo de protector anterior a 1996, o si el cliente es canadiense, será sustituido por otro. Panamax se reserva el derecho a inspeccionar los equipos conectados averiados, sus componentes o sus placas de circuito. Tenga en cuenta que todos los gastos de transporte de la unidad hasta Panamax corren por cuenta de usted. Panamax se reserva también el derecho a inspeccionar las instalaciones del cliente. Los equipos dañados cuya reparación sea negada por ser antieconómica deberán permanecer disponibles para su inspección por parte de Panamax hasta que se cierre la reclamación.

5. SOLICITUD DE PAGO:

Una vez que Panamax haya determinado que tiene usted derecho a una compensación, podrá optar por cualquiera de las siguientes alternativas, a elección de Panamax: pagarle el precio del equipo dañado, a valor de mercado; pagar el costo de la reparación; enviarle un equipo de recambio; o abonarle el valor equivalente al equipo de sustitución.

6. OTRAS GARANTÍAS O COBERTURAS: sta cobertura es secundaria a toda otra garantía del fabricante, implícita o expresa, o a todo seguro y/o contrato de servicio que pudiera cubrir la pérdida.

7. EXCLUSIONES: LA POLÍTICA DE PROTECCIÓN DE EQUIPOS CONECTADOS (CONNECTED EQUIPMENT PROTECTION POLICY) DE PANAMAX NO CUBRE: Los honorarios por servicios, los costos de instalación, los costos de reinstalación; el costo de configuración; los gastos de diagnóstico; las comprobaciones periódicas; el mantenimiento de rutina; la pérdida de uso del producto; los costos o gastos derivados de la reprogramación o pérdida de programación y/o de datos; los gastos de envío o transporte; las llamadas al servicio técnico; las p o abusiva; ni los productos reclamados directamente por el fabricante para su reparación o cualquier circunstancia similar.

8. RESOLUCIÓN DE DISPUTAS: Cualquier reclamación o controversia surgida como consecuencia de o en relación con la Política de protección de equipos conectados (Connected Equipment Protection Policy) de Panamax, o de su presunta violación, será resuelta mediante un proceso de arbitraje administrado por la Asociación Arbitral Americana (American Arbitration Association) conforme a sus Reglas para el arbitraje mercantil (Commercial Arbitration Rules). Puede usted solicitar un arbitraje en cualquier domicilio de la AAA en los Estados Unidos, previo pago de los honorarios correspondientes. El arbitraje correrá a cargo de un único árbitro, y se limitará exclusivamente a la controversia o discrepancia entre usted y Panamax. El arbitraje tendrá lugar en cualquier lugar mutuamente acordado, y podrá celebrarse presencialmente, por teléfono o a través de internet. Toda decisión emanada de uno de estos procedimientos de arbitraje será definitiva y vinculante para ambas partes, y podrá dictarse sentencia basándose en ella en un tribunal jurisdiccionalmente competente. El árbitro no podrá hacer recaer en ninguna de las partes ningún tipo de daños y perjuicios especiales, ejemplarizantes, emergentes, punitivos, derivados o indirectos, ni tampoco los costos de arbitraje (incluidos los honorarios del árbitro, si los hubiera) en la proporción que la decisión arbitral definitiva guarde con respecto al importe de la reclamación original.

9. ASPECTOS GENERALES: Si tiene alguna pregunta acerca de la garantía del producto o de la garantía de el Departamento de relaciones con el cliente (Customer Relations Department) de Panamax en la dirección www.panamax.com/support. Esta garantía prevalece sobre cualquier otra garantía anterior. ESTA ES LA ÚNICA GARANTÍA QUE VIENE INCLUIDA CON EL PROTECTOR. CUALQUIER OTRA GARANTÍA, YA SEA IMPLÍCITA O EXPLÍCITA, SE CONSIDERARÁ INEXISTENTE. Esta garantía no podrá modificarse a menos que lo sea por escrito y con la firma de un directivo de Panamax Corporation.

* La utilización de un cable de extensión Panamax o equivalente (con certificación UL o CSA, calibre mínimo 14AWG, 3 alambres con toma de tierra) no invalida la garantía

** En el sitio Web de Panamax puede encontrar formularios de solicitud de autorizaciones de devolución de material (RMAs) y presentar una reclamación por daños en un equipo conectado.

AVISO DE ADVERTENCIA

Los productos Panamax comprados a través de Internet no llevarán una Política de protección de equipos conectados (Connected Equipment Protection Policy) ni una Garantía de producto (Product Warranty) a menos que hayan sido adquiridos en un distribuidor autorizado de Panamax por Internet y tengan intactos sus números de serie originales (es decir, que no hayan sido retirados, desfigurados o sustituidos en modo alguno). Los distribuidores autorizados de Panamax por Internet tienen experiencia y conocimientos suficientes para garantizar que las instalaciones cumplan todos los requisitos establecidos en la garantía. Si desea ver una lista de Distribuidores autorizados de Panamax por Internet, visite www.panamax.com Puede encontrar información más detallada en www.panamax.com Si tiene alguna pregunta acerca de estos requisitos, comuníquese con el departamento de relaciones con el cliente de Panamax (Panamax Customer Relations)

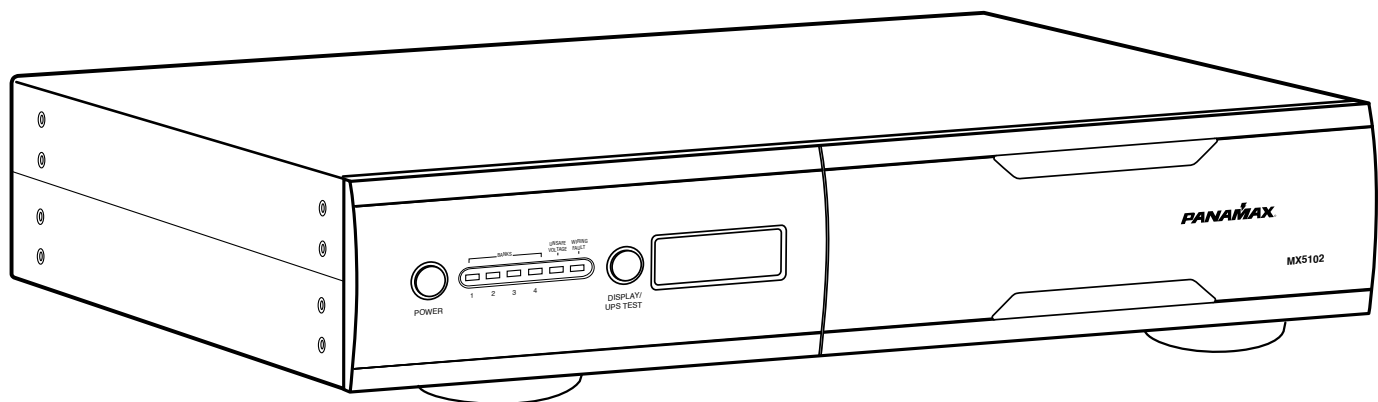
PANAMAX

MODEL - MX5102
DOC. NO. IWS00850_FR REV. A
Effective Date 1/20/09

INS00850-FR REV. D 4/09

MX5102 Instrucciones

Suministro de energía ininterrumpible (UPS) totalmente programable,
con regulador de voltaje y acondicionador eléctrico



Características:

- Protección contra sobretensiones y AVM (monitoreo automático de voltaje)
- Filtrado de ruido LiFT (tecnología de filtrado lineal)
- Controles dobles de salida de señal infrarroja (IR) con aprendizaje
- Incluye orejetas para racks

PANAMAX

INS00850-SP REV. D 4/09

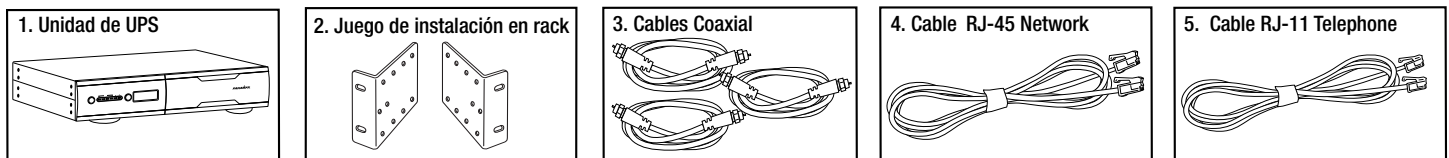
© 2009 Panamax, Inc., 1690 Corporate Circle, Petaluma, CA 94954 • www.panamax.com • 707-283-5900 • Fax 707-283-5901

Table of Contents

Especificaciones.....	pg. 1
Instrucciones de seguridad importantes.....	pg. 2
Key Features and Functions.....	pg. 3
Front and Back Panel Descriptions.....	pg. 4
Instalación del suministro de energía ininterrumpible (UPS).....	pg. 5
Operación avanzada.....	pg. 6
Notificación de garantías.....	pg. 7

Antes de empezar DESEMBALAJE Inspeccione a partir de la recepción.

La caja debe contener los siguientes:



MX5102 Especificaciones

Corriente alterna

Voltaje de línea	120V, 60Hz
Capacidad de corriente total	12 A
Energy Dissipation	1800 Joules
Circuito de sobrevoltaje catastrófico	Sí
Fusible térmico	Sí

Apagado por sobretensión, fast rise	150 ± 5 V
Apagado por sobretensión, slow rise	132 ± 5 V
Apagado por subtensión	90 ± 5 V

Filtración de ruido de interferencia electromagnética (EMI) o de radiofrecuencia (RFI)

Bank 1 EMI Filtración	66dB Max, 100kHz-2MHz
Bank 2 EMI Filtración	66dB Max, 100kHz-2MHz

Salida de UPS

Voltaje	120 ± 5% Simulated Sine Wave
Frecuencia	60 Hz ± 1%
Capacidad de salida de UPS	600VA 600W @ 0.6pf
Tiempo de reserva de UPS	3 minutos con carga completa
Tiempo de transferencia	< 10ms

Estas especificaciones pueden experimentar cambios debido a mejoras o actualizaciones en los productos.

Entrada de disparador por CC

Conectores	Minienchufe mono de 3.5 mm (1/8")
Voltaje y polaridad	3 - 18Vcc, bidireccional
Corriente necesaria	4.6 mA @3V, 58 mA @18V

LAN Circuits

Nivel de fijación	50 V
Conectores	RJ-45
Hilos protegidos	Los 8 hilos

Circuito telefónico

Sin fusible/Rearme automático	Sí
Nivel de fijación	275 V
Modos de supresión	Metálica y longitudinal
Conectores	RJ-11
Hilos protegidos	2 hilos, pines 4 y 5

Circuitos de cable y de satélite

HD 1080 i/p Ready	Sí
Bidireccional	Sí
Apantallado	Sí
Nivel de fijación	75 V
Rango de frecuencias	0 MHz - 2.2 GHz
Pérdidas de inserción	< 0.5 dB
Conexiones	Hembra "F", Dorado

PANAMAX

Instrucciones de seguridad importantes

Este manual contiene instrucciones importantes que deben seguirse durante la instalación y el mantenimiento del UPS y las baterías.

Por favor, lea y siga todas las instrucciones cuidadosamente durante la instalación y la operación de la unidad. Antes de tratar de desembalar, instalar u operar la unidad, lea este manual detenidamente.

¡PRECAUCIÓN! Riesgo de explosión si la batería se sustituye ay un tipo incorrecto.

¡PRECAUCIÓN! El UPS debe estar conectado a una toma de corriente alterna (CA) con fusible o cortacircuitos de protección.

NO enchufe la unidad en un tomacorriente que no tenga conexión a tierra. Si necesita desenergizar este equipo, apague y desenchufe el UPS.

¡PRECAUCIÓN! NO UTILICE LA UNIDAD PARA EQUIPOS MÉDICOS O EQUIPOS DE SOPORTE VITAL

Panamax no vende productos para aplicaciones médicas o de soporte vital. NO utilice la unidad en ninguna circunstancia que pueda afectar la operación o la seguridad de un equipo de soporte vital, y tampoco en aplicaciones médicas o de atención de pacientes.

¡PRECAUCIÓN! La batería puede energizar piezas interiores con electricidad, incluso cuando la alimentación de entrada de corriente alterna está desconectada.

¡PRECAUCIÓN! Para evitar riesgos de incendio o descarga eléctrica, instale la unidad en un área interior con temperatura y humedad controladas, libre de contaminantes conductores. (Por favor, consulte las especificaciones sobre límites de temperatura y humedad).

¡PRECAUCIÓN! Para reducir riesgos de descarga eléctrica, no retire la cubierta. el interior no contiene piezas que puedan ser reparadas por el usuario.

¡PRECAUCIÓN! Para evitar descargas eléctricas, apague la unidad y desenchúfela de la fuente de alimentación de corriente alterna antes de instalar un componente.

¡PRECAUCIÓN! ¡NO UTILICE LA UNIDAD PARA APLICACIONES EN ACUARIOS O EN LUGARES CERCANOS A ESTOS! Para reducir riesgos de incendio, no utilice la unidad para aplicaciones en acuarios o en lugares cercanos a estos. La condensación del acuario puede penetrar en los contactos metálicos de corriente y provocar un cortocircuito en la unidad.

Nota: Los dispositivos de administración de corriente alterna, como un UPS, tienen ciertas limitaciones con respecto a las cargas reactivas y la potencia en vatios. La unidad MX5102 tiene una capacidad de potencia de 1000 VA, o alrededor de 600 W. El consumo de energía que supere estas especificaciones puede afectar la vida útil de la batería y su desempeño.

Para evitar descargas eléctricas, un destornillador debe utilizarse para quitar los tornillos para abrir la cubierta de la batería antes de sustituir la batería. Debe cerrar compartimento de la batería utilizando el destornillador para apretar tornillos.

NOTA A LOS INSTALADORES CATV

Este recordatorio se proporciona para llamar la atención sobre el artículo 820-40 del NEC THR. Este artículo dispone Guidelines específicas para una correcta tierra. Se especifica que el cable de tierra estará conectado al sistema de puesta a tierra del edificio y lo más cerca posible del punto de entrada como sea posible.

Notificación de la FCC

Este equipo fue probado y cumple los límites de un dispositivo digital Clase B, conforme a la Parte 15 de las Reglas de la FCC. Estos límites fueron concebidos con el objeto de brindar una protección razonable contra interferencias perjudiciales en instalaciones residenciales. Este equipo genera, usa y puede irradiar energía de radiofrecuencia y, si no se instala y utiliza siguiendo las instrucciones, puede causar interferencias nocivas en las comunicaciones de radio. Sin embargo, no hay garantías de que no se produzca algún tipo de interferencia en alguna instalación particular. Si este equipo causa interferencias en la recepción de señales de radio o televisión, lo cual puede determinarse apagando y encendiendo el equipo, se recomienda corregir la interferencia siguiendo uno o varios de los procedimientos que se indican a continuación:

(1) Reoriente o cambie de lugar la antena receptora.

(2) Aumente la distancia entre el equipo y el receptor.

(3) Enchufe el equipo a un tomacorriente que se encuentre en un circuito diferente del correspondiente al receptor.

(4) Consulte al distribuidor o a un técnico experimentado de radio o TV. Todo accesorio especial que sea necesario para el cumplimiento de estas normas debe estar especificado en las instrucciones.

PRECAUCIÓN: Para cumplir los límites de emisión de la FCC y además prevenir la interferencia en la recepción de señales de radio y televisión de equipos cercanos, se requiere un tipo de cable de alimentación blindado. Es esencial utilizar exclusivamente el cable de alimentación suministrado con la unidad. Para conectar dispositivos de entrada y salida a este equipo, utilice exclusivamente cables blindados.

PRECAUCIÓN: Todo cambio o modificación no aprobados expresamente por la garantía de este dispositivo podría anular la autorización del usuario para operar el equipo.

Principales características

Inicio/Parada secuenciales:

Los sistemas de audio o video complejos pueden verse afectados por transitorios de voltaje generados internamente en el momento del encendido o el apagado del equipo, cuando la totalidad de éste se enciende o se apaga a la vez. Esto puede provocar "golpes" en el altavoz que no sólo resultan molestos sino que pueden llegar a dañar a los propios altavoces. El MX5102 está diseñado para eliminar este tipo de transitorios, introduciendo un retardo "de arranque" en los tomacorrientes que presentan elevados niveles de corriente, y un retardo de "apagado" en las regletas de tomacorrientes conmutados. Este retardo permite que los componentes enchufados a las regletas de tomacorrientes conmutados se pongan en marcha y se estabilicen antes de encender cualquier amplificador o sub-woofer activo. Esta secuencia se invierte durante el apagado. Los amplificadores y los subwoofers activos se apagan, se vacía la energía de sus fuentes de poder, y a continuación se apagan los equipos enchufados a las regletas de tomacorrientes conmutados.

Disparador por detección de voltaje:

La entrada de disparador por detección de voltaje del MX5102 utiliza un minienchufe mono estándar de 3.5 mm (1/8"). Esta característica proporciona un disparador de ACTIVACIÓN/DESACTIVACIÓN para el MX5102 utilizando una señal de voltaje en corriente continua. Muchos componentes, como los preamplificadores y los receptores, tienen integrado un disparador de corriente continua (CC), y transmitirán una señal constante de presencia de energía cuando estén encendidos y en uso. La presencia de esta señal de energía provocará la activación de las salidas de tomacorriente conmutado del MX5102. Cuando se apaga el componente de fuente, se apaga también la señal del disparador por voltaje, y da comienzo la secuencia de apagado del MX5102. Si no se dispone de un disparador integrado de CC, puede utilizarse también un adaptador de CA del voltaje adecuado, enchufado a un tomacorriente conmutado.

Batería de salida de copia de seguridad del Banco

Hoy de audio / video incluyen los sistemas de varios componentes que en gran beneficio de poder ininterrumpido. Cajas de cable y receptores de satélite tener una cantidad sustancial de tiempo para recuperar todos los datos de programación después de un fallo de alimentación. DVRs pueda grabar programas regulares. Lámparas de proyección de televisión puede fallar si el choque térmico de la energía es interrumpida abruptamente y la televisión no puede pasar por el buen ciclo de enfriamiento. MX5102 incluye un banco de 4 Sistema de alimentación ininterrumpida (UPS), los puntos de venta.

IR Control de aprendizaje

La función de aprendizaje permite programar MX5102 para enviar el modo de espera o los comandos de apagado para componentes, tales como proyectores DLP techo o los televisores de proyección trasera. Por ejemplo: si la energía falla, la lámpara del proyector se apaga mientras que la batería de back-up salidas siga proporcionando la energía de la batería a la proyector'd ventilador. Se garantiza el cierre adecuado y caro lámparas están protegidos contra daños. MX5102 puede obtener hasta dos discretos comandos infrarrojos para enviar un único mando a dos dispositivos, o para enviar un comando de dos macro a un único dispositivo.

Protección automática contra excesos o caídas de tensión

La circuitería de monitoreo de energía Panamax, cuya patente está en trámite, vigila constantemente el voltaje de la línea de corriente alterna, para detectar posibles situaciones peligrosas, como picos momentáneos, la presencia de sobretensiones o voltajes demasiado bajos durante un período demasiado prolongado (caídas de tensión persistentes o "brownouts"). Dichas condiciones son peligrosas y representan un elevado riesgo para todos los equipos electrónicos del hogar. Si el MX5102 detecta una de estas situaciones peligrosas de suministro de energía, desconectará automáticamente sus equipos de la alimentación, como medida de protección para evitar que puedan averiarse. Una vez restablecido un nivel de voltaje considerado seguro, el MX5102 volverá a conectar automáticamente la alimentación.

Cuando el MX5102 se ve sometido a un sobrevoltaje de alta tensión, su voltaje de salida se limita a un nivel seguro, y los picos de sobrecorriente se desvían de modo que no lleguen al equipo conectado.

- Al verse sometido a un sobrevoltaje de 6,000 V (voltaje en circuito abierto) / 500 A (corriente de cortocircuito) surge, el MX5102 limita su voltaje de salida a un valor de pico inferior a 330 V, el mejor de los valores previstos en las normas UL. El MX5102 es capaz de soportar, sin daño alguno, transitorios de 20.000 A, muy por encima de los 3.000 Amperios que exige el requisito UL.
- Si la magnitud del sobrevoltaje supera la capacidad de los componentes de protección contra este efecto, los circuitos de "Protección o desconexión" (Protect or Disconnect) del MX5102 desconectará sus equipos para protegerlos. Si esto llegara a suceder, el MX5102 tendrá que ser reparado o reemplazado por Panamax.

Protección de la señal de cable/antena parabólica/antena

Los circuitos de protección de coaxiales consiguen una calidad de señal óptima gracias a nuestros nuevos protectores de coaxiales, que presentan los niveles de pérdida de señal más bajos del mercado: una atenuación inferior a 0.5 dB entre 5 MHz y 2.2 GHz. Nuestra protección coaxial mejorada está expresamente diseñada para prácticamente eliminar la pérdida de la señal. El nivel de fijación de 75V cumple los requisitos de voltaje tanto para antenas de satélite como para cable, al tiempo que minimiza la exposición a los dañinos picos y sobrecargas.

Protección de línea telefónica:

Las grabadoras de video digital y los receptores de TV por satélite requieren una conexión a una línea telefónica para la programación de televisión y/o los servicios de Pago por Evento ("Pay-Per-View"). El MX5102 proporciona también protección contra transitorios a este tipo de líneas. Para ello se dispone de un par de conectores telefónicos RJ-11. El nivel de fijación del protector telefónico del MX5102 es de 270 voltios. Esto permite que el voltaje utilizado habitualmente para señalar el timbre de llamada (90-130 Vca) y el voltaje de batería de operación (-48 Vcc) puedan atravesar el circuito, sin que el módem del receptor de satélite deje de estar protegido de posibles daños.

Red local (LAN)

Circuitos de protección para líneas 10/100 baseT Ethernet. Los cables de red local (LAN) entran DEBEN enchufarse al conector de línea (LINE). Los latiguillos o tramos cortos de cable de red DEBEN enchufarse a los conectores de equipos (EQUIP). Protección de 8 alambres, fijación de 50V.

Regletas aisladas

Filtración de ruido de interferencia electromagnética (EMI) y de radiofrecuencia (RFI) de tecnología LiFT con aislamiento entre regletas de tomacorrientes: Los componentes de audio y video están sometidos a un bombardeo constante de interferencias electromagnéticas (EMI) y de radiofrecuencia (RFI) que llegan a través de sus cables eléctricos. La contaminación de la energía eléctrica puede afectar a los equipos de audio y video, y empeorar el rendimiento general de todo el sistema. Los síntomas más habituales de una energía eléctrica contaminada son los chasquidos o "pops", siseos, zumbidos e irregularidades visuales. El MX5102 está diseñado para filtrar este ruido, suministrar una energía limpia a su sistema, y proporcionar aislamiento frente al ruido entre los distintos regletas de tomacorrientes, de modo que cualquier ruido creado por un componente de audio o video no pueda contaminar la electricidad que llega a los equipos enchufados a los otros tomacorrientes.

Tecnología de Filtración Lineal (Linear Filtering Technology) (LiFT)

Nada filtra mejor el ruido de corriente alterna. La Tecnología de Filtración Lineal (LiFT) elimina el ruido de manera uniforme de un extremo a otro del ancho de banda, garantizando así un extraordinario rendimiento en audio y en video, al reducir la distorsión armónica y mejorar la relación señal-ruido. LiFT asegura un excelente desempeño en todo momento, y la máxima resolución posible en todos los sistemas de reproducción de audio o de video.

Funciones disponibles en el panel frontal Características de las conexiones del panel posterior

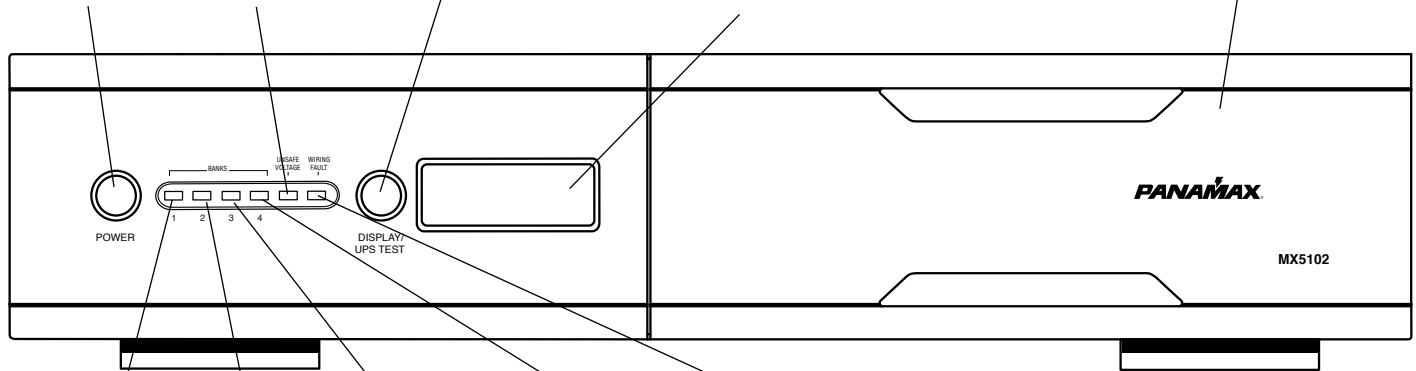
LEDs de encendido Manténgalo
Presionado durante un segundo para ENCENDER o APAGAR los tomacorrientes de las regletas 2 y 3.

Indicador de voltaje peligroso
Normalmente Apagado. Parpadeará en color rojo para indicar que el voltaje de línea entrante es peligroso y la unidad ha desconectado la alimentación para proteger sus equipos.

Atenuador de LEDs de medidores y del panel frontal
Pulsador que permite controlar el brillo de los indicadores LED de los medidores y del panel frontal. Cada vez que se presiona, va cambiando entre los cuatro niveles de brillo preprogramados

Indicador de voltaje peligroso
Normalmente Apagado. Parpadeará en color rojo para indicar que el voltaje de línea entrante es peligroso y la unidad ha desconectado la alimentación para proteger sus equipos.

Batería extraíble panel de acceso
Fácil de quitar la batería para el acceso y la sustitución.



Outlet Bank 1 Indicator
Toma de corriente se ilumina en azul cuando está en 1 bancos.

Outlet Bank 2 Indicator
Toma de corriente se ilumina en azul cuando está en 2 bancos.

Outlet Bank 3 Indicator
Toma de corriente se ilumina en azul cuando está en 3 bancos.

Outlet Bank 4 Indicator
Toma de corriente se ilumina en azul cuando está en 4 bancos.

Wiring Fault Indicator
Este LED se ilumina en rojo para advertir al usuario que un problema de cableado, tales como una mala / desaparecidos en tierra o invertir el cableado existente en el receptáculo de CA. Si se ilumina, desconecte todos los equipos y en contacto con un electricista para asegurarse de la correcta toma de corriente conectados.

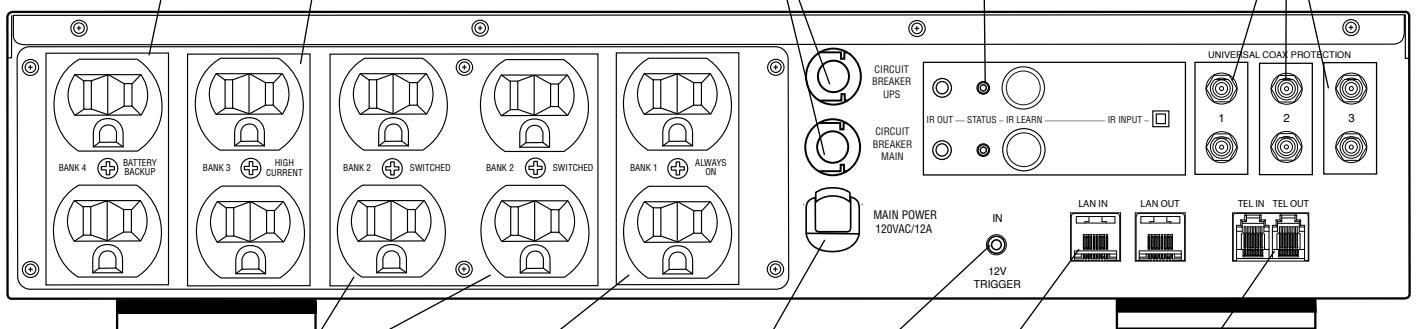
Regleta de tomacorrientes 4
Siempre en dos, batería, aumento de puntos de venta para proteger el equipo conectado sin interrupción temporal de garantizar el funcionamiento de los equipos conectados en caso de apagón.

Regleta de tomacorrientes 3
Dos salidas conmutadas de alto nivel de corriente controladas por el botón de encendido del panel frontal o por la entrada de Disparador por CC. La Regleta 3 tiene un retardo de encendido de 5 segundos, y se apaga inmediatamente. La salida de Alta corriente proporciona energía a partir de un circuito de filtración de ruido de baja impedancia que no limita la corriente entregada al equipo. Su salida está aislada del ruido procedente de todos los demás regletas de tomacorrientes

Cortacircuitos
Reinicialable disyuntores proporcionar una óptima protección contra sobrecarga.

Sección de Control de Indicador LED's -
Indica el estado de IR OUTPUT - Estándar de 1 / 8 " (3.5mm) jack mono para la conexión a un Flasher IR.

Conectores coaxiales universales de TV
3 pares de circuitos de protección bidireccionales optimizados para señal de satélite, cable y antena de TV. .



Regleta de tomacorrientes 2
Cuatro salidas conmutadas con tecnología de filtración lineal (LIFT, Linear Filtration Technology) controladas por el botón de encendido del panel frontal o por la entrada de Disparador por CC. La Regleta 2 se encenderá inmediatamente y se apagará a los 10 segundos. La filtración del ruido de interferencia electromagnética (EMI) o de radiofrecuencia (RF) por tecnología LIFT se realiza por medio de un filtro Pi balanceado de dos etapas, que además proporciona aislamiento frente al ruido procedente de las regletas de tomacorrientes 1 y 3.

Regleta de tomacorrientes 1
Dos salidas de tomacorriente permanentemente encendidas, con tecnología de filtración lineal (LIFT, linear filtration technology). La alimentación sólo se desconectará en caso de falla o avería. (Véanse las especificaciones de los umbrales de sobretensión y subtensión) La energía recibida se limpia por medio de un filtro Pi balanceado de dos etapas, que además proporciona aislamiento con respecto al ruido procedente de las regletas de tomacorrientes 2 y 3.

Alimentación principal
Entrada de disparador de voltaje
Enchufe miniatura mono de 3.5 mm (1/8").

Conectores de red local (LAN)
Circuitos de protección para líneas 10/100 baseT Ethernet. La línea de red local (LAN) entrante DEBE enchufarse al conector de LÍNEA. El latiguillo de conexión al equipo DEBE enchufarse a los conectores de equipos (EQUIP). 1 conector de red local (LAN) va al conector de salida del panel frontal. Protección para 8 alambres. El nivel de fijación 50V.

Conectores telefónicos
Circuitos de protección para líneas telefónicas estándar o de pago por visión (Pay-Per-View). El circuito telefónico se reajusta automáticamente. El cable telefónico entrante DEBE enchufarse al conector de línea (LINE). Los latiguillos o tramos cortos de cable que conectan con los equipos (receptor de satélite, videgrabadora digital, teléfono, etc.) DEBEN enchufarse a los conectores de equipos (EQUIP).

Installing Your MX5102

1. Los puntos de venta de UPS se pueden utilizar inmediatamente después de la recepción. Sin embargo, recargar la batería durante un mínimo de cuatro horas, se recomienda para asegurar que la batería de la capacidad de carga máxima se consigue. Carga de la pérdida puede ocurrir durante el envío y almacenamiento. Para recargar la batería, simplemente deje la unidad conectada a una toma de CA. La unidad se cargará en el DE, así como la posición OFF.
2. Con la unidad OFF y desenchufado, conectar el equipo a la unidad del panel trasero AC puntos de venta. NO conectar un calentador, una aspiradora, trituradora de papel u otros dispositivos eléctricos grandes puntos de venta en el UPS. La demanda de energía de estos aparatos se sobrecarga y, posiblemente, dañar la unidad.
3. Enchufe el MX5102 en 2 polos, 3 cables a tierra receptáculo (toma de corriente). Asegúrese de que la rama de salida de pared está protegido por un fusible o disyuntor y no con equipos de servicio eléctricos grandes demandas (por ejemplo, frigorífico, fotocopiadora, etc) Evite el uso de cables de extensión. Si se utiliza, el cable de extensión debe ser UL o CSA publicación, mínimo 14 AWG, 3-cable a tierra, y clasificaron para 15 amperios

4. Pulse el botón de enganche para encender la unidad.
5. Los disyuntores del panel posterior, se abre y se potencia a la equipo conectado se apagará si se detecta una sobrecarga. Para corregir esto, apague la unidad, desconecte una pieza de equipo de los puntos de venta de UPS, espera 10 segundos, asegúrese de que los disyuntores se restablecen, y encender la unidad.
6. La batería de UPS carga automáticamente cuando la unidad está enchufada a una toma de CA.
7. Para mantener una óptima carga de la batería, deje la unidad conectada a una toma de CA en todo momento. Nota: Para guardar el MX-5102 para un largo período de tiempo, cobertura y tienda con la batería completamente cargada. Recargar la batería cada tres meses para garantizar la vida de la batería.

MX5102 Operación

Cuando el poder se pierde o se desconecta de un bajo / sobre tensión culpa, salida 4 Banco cambiará de utilidad potencia (energía suministrada desde la compañía eléctrica) a la batería.

Operación normal de UPS

La pantalla que indica el cambio de tensión de entrada a la estimación de minutos de tiempo de copia de seguridad. La salida se activará infrarrojos para activar las secuencias de cierre requeridos en los dispositivos conectados.

El zumbador interno sonará durante 1 segundo en intervalos de 5 segundos. El timbre se puede apagar pulsando el medidor Atenuador / SAI Botón de prueba.

Después de poder se restablezca y se estabilizó, salida 4 Banco cambiará automáticamente de nuevo a la utilidad de poder.

Advertencia de batería baja

Cuando la batería se reduce a 3 minutos de tiempo de copia de seguridad: la pantalla parpadeará y el zumbador interno sonará en una tasa rápida.

Cuando la batería ya no puede apoyar la carga conectada, Desagüe Ribera 4 se apagará y el zumbador sonará durante 5 segundos, un tiempo.

Advertencia de sobrecarga

Cuando la carga conectada a la salida del Banco 4 supera el 100% de la potencia nominal:

La pantalla parpadeará "OL" (sobrecarga)

El zumbador interno sonará a una rápida tasa de

Para poner remedio a la sobrecarga:

Reducir la carga sobre la salida del Banco de volver 4 por un dispositivo a una toma de corriente disponible en salida Bank1 (preferido) o de salida del Banco 2.

Presione y mantenga el medidor Atenuador / UPS Botón de prueba por 2 segundos para iniciar una prueba de la batería. Si la carga se ha reducido a un nivel aceptable, MX5102 volverá al funcionamiento normal.

MX5102 Operación Avanzada

Una conexión a un UPS puede beneficiar a la volátil memoria electrónica se encuentra en High-End Home Theater equipo. El MX5102 aprovecha esta al siguiente nivel con una serie de características diseñadas específicamente para realizar copias de seguridad de alimentación de CA aplicaciones.

Control de aprendizaje IR (patente en trámite)

La función de aprendizaje IR le permite programar el UPS para enviar comandos de espera o de apagado a componentes tales como proyectores de techo DLP (procesamiento de luz digital). Si hay un corte de energía, las luces del proyector se apagan, mientras el UPS continúa proveyendo energía de batería al ventilador de enfriamiento del proyector. De esta manera, se garantiza el correcto apagado y se protegen las costosas lámparas contra posibles daños.

Nota: Esta función sólo debe utilizarse con códigos IR discretos.

¡La programación de un comando alternado de encendido/apagado podría resultar en el encendido del equipo durante un corte de energía eléctrica!

IR Potencia Operación Fracaso

El MX5102 puede aprender dos comandos infrarrojos. Los comandos aprendidos serán transmitidos en los dos jacks de salida para que tenga la capacidad de controlar 2 diferentes piezas de equipo o la utilización de una macro 2-paso de un componente.

El retardo de salida de infrarrojos interruptores proporcionan la capacidad de "viaje a través de" breves cortes de energía sin enviar una señal de parada al dispositivo conectado.

1. Después de un fallo de alimentación y el retardo seleccionado, los códigos IR serán enviados a ambas salidas. IR código 1 se envía en primer lugar, seguido por IR2 dos segundos después.

2. No hay salida después de infrarrojos se restaura la alimentación al sistema

IR LED Color y Condición

Desactivar Inactivo

Verde, en estado sólido: en espera de recibir la señal de infrarrojos

Verde, parpadeando: la muestra de señal de infrarrojos

Rojo, parpadea: No se ha podido obtener la señal de infrarrojos

Para programar la salida de infrarrojos:

1. Presione y mantenga presionado el botón para IR1 aproximadamente 2 segundos.

2. IR1 Cuando el LED se enciende de color verde, suelte el botón (después de aprox. 2 segundos).

3. Apunte el control remoto en la ventana del detector y presionar y soltar rápidamente el botón adecuado en el control remoto. Si no se recibe la señal dentro de los 10 segundos, el modo de programación se cancela, el IR1 LED se apaga y usted tendrá que empezar de nuevo.

4. IR1 El LED parpadea en verde si la señal de infrarrojos y la muestra es almacenada en la memoria.

5. IR1 El LED parpadea en rojo si la señal de infrarrojos no aprendidas. Empezar de nuevo en el Paso 1.

6. Repita los pasos 1-5 para IR2.

Para borrar la programación de infrarrojos:

1. Presione y mantenga presionado el botón apropiado de infrarrojos, la puesta en libertad después de 2 seg.

2. IR LED se enciende de color verde.

3. Pulse el botón de nuevo. El código de infrarrojos se borrará de la memoria y el LED se apagará.

Prueba de salida de IR

1. IR Flasher debe estar conectada a la UPS y en línea de vista a la ventana de receptor de infrarrojos del equipo a ser controlados, a fin de verificar que el código se ha aprendido correctamente.

2. Asegúrese de que el componente que se controlan se activa.

3. Oprima y suelte el botón IRX. El código de IRX será transmitido en ambos IR1 y IR2 productos.

4. Si las pruebas son un paso 2-macro, asegúrese de presionar el segundo botón de infrarrojos para transmitir ese código.

5. Si el proceso de aprendizaje fue un éxito, el equipo de control debe aceptar el mando de infrarrojos y apagar o entrar en modo de espera.

6. Reprogramar el mando por infrarrojos si el equipo de control no responde.

A. Asegúrese de que las baterías de la "enseñanza a distancia" son frescas y no necesita ser reemplazado.

B. Si "la prensa y la liberación" (paso 3 en la programación) no funciona, intente "pulse y mantenga" en el botón de control remoto que se enseña a la UPS.

Información sobre la garantía

Garantía limitada del acondicionador de energía eléctrica Panamax

Panamax garantiza al comprador de este acondicionador de energía eléctrica Panamax para dispositivos de audio/video, durante un período de tres (3) años desde la fecha inicial de compra, que el dispositivo estará exento de defectos de diseño, materiales o fabricación, y durante este período Panamax reparará o reemplazará cualquier unidad defectuosa.

Programa de actualización de productos

Válido sólo en los Estados Unidos y Canadá.

Si su acondicionador de energía eléctrica Panamax da su vida a cambio de proteger sus equipos conectados, le ofrecemos la posibilidad de actualizarse a la tecnología más reciente. Para más información, visite nuestro sitio Web www.panamax.com/rma o comuníquese con el Departamento de relaciones con el cliente 800-472-5555.

2 años de garantía Batería

Panamax, póngase en contacto con Servicio al Cliente para obtener información sobre la batería de reemplazo y 2 años de garantía Batería.

Equipo Conectado Limitado al Acondicionador de Energía Eléctrica Panamax

La política que Panamax aplica en caso de que algún dispositivo conectado a un acondicionador de energía eléctrica Panamax bien instalado resultase averiado como consecuencia de un sobrevoltaje en un cable de alimentación eléctrica, un cable de señal, un cable telefónico, o por un relámpago, consiste, a su discreción exclusiva, en reemplazar dicho dispositivo, reembolsar al cliente el precio de dicho producto a valor de mercado para que el cliente pueda adquirir otro, o pagar el costo de la reparación, hasta el importe en dólares detallado a continuación. Panamax deberá observar que el acondicionador de energía eléctrica presenta signos de avería a causa del sobrevoltaje eléctrico, o que está funcionando fuera de las especificaciones de protección contra sobrevoltaje para las que fue diseñado, y en todas las circunstancias no logró proteger correctamente su equipo conectado.

MX5102: \$5,000,000

ESTA GARANTÍA ESTÁ SUJETA A LAS SIGUIENTES CONDICIONES

1. SER EL PROPIETARIO ORIGINAL:

La Política de equipos conectados de Panamax sólo cubre al comprador original del producto Panamax, y es intransferible. Toda devolución de producto o reclamación de daños en un equipo conectado deberá ir acompañada de las facturas de compra originales.

2. INSTALACIÓN CORRECTA: Los protectores de corriente alterna Panamax deben estar conectados directamente a un tomacorrientes de corriente alterna con una adecuada toma de tierra. No deben utilizarse cables de extensión*, adaptadores a enchufe de dos contactos sin toma de tierra, ni ningún otro producto de protección contra sobrevoltaje no suministrado por Panamax. El cableado del inmueble y todas las demás conexiones de los equipos protegidos deben cumplir los reglamentos electro-técnicos aplicables (NEC o CEC). No debe utilizarse ningún otro alambre de toma de tierra o conexión de puesta a tierra. Todos los cables (incluidos, por ejemplo, los de alimentación eléctrica, las líneas telefónicas, las líneas de datos o de señal, los cables coaxiales y las líneas de antena) que vayan conectados al equipo protegido deben pasar antes por un único protector Panamax diseñado para esa aplicación concreta. El protector y el equipo a proteger deben estar instalados en interiores, en un lugar, y en el mismo inmueble. Deberán seguirse todas las instrucciones de instalación y diagramas de Panamax.

3. NOTIFICACIÓN: Usted deberá informar a Panamax, en un plazo de diez días, de cualquier circunstancia que pueda precipitar la solicitud de sustitución de un producto o el pago de daños a los equipos conectados. Antes de devolver el protector Panamax, el cliente deberá obtener un número de autorización de devolución de mercancía (RMA, Return Merchandise Authorization) a través del Departamento de relaciones con el cliente de Panamax (Customer Relations Department), en la dirección www.panamax.com/support **. Al hacerlo, deberá indicar a Panamax si cree procedente plantear alguna reclamación por daños en equipos conectados. Una vez haya obtenido un número de RMA, marque ese número en la parte inferior de la unidad y empáquelo en una caja de cartón con material de embalaje suficiente para protegerlo durante su tránsito. El número de RMA debe ir marcado también claramente en el exterior de la caja. Envíe la unidad a Panamax. Tenga en cuenta que todos los gastos de transporte de la unidad hasta Panamax corren por cuenta de usted. Si su solicitud de RMA indicaba la existencia de daños en equipos conectados, Panamax le enviará por correo su documentación de reclamación, que deberá rellenar y devolvernos en un plazo de 30 días. Dentro de la documentación de reclamación, se le pedirá que incluya un diagrama de conexión de su sistema. No olvide anotar esta configuración antes de desconectar su equipo.

4. DETERMINACIÓN DE LA FALLA: Panamax evaluará el estado del protector para determinar si ha sufrido daños a causa del sobrevoltaje eléctrico. El protector Panamax deberá mostrar signos de daños por sobrevoltaje eléctrico, o estar funcionando fuera (>10%) de sus especificaciones de diseño en lo relativo a la capacidad de protección contra sobrevoltaje eléctricos. Abrir el recinto, manipular su interior o modificar la unidad de algún modo pueden ser causas de rechazo inmediato de su solicitud de reembolso. Panamax, una vez evaluada toda la información facilitada, determinará si su solicitud cumple o no los requisitos de reembolso. Si el protector contra sobrevoltaje eléctricos no presenta ningún signo de daños provocados por sobrevoltaje en líneas de señal o en cables de corriente alterna y está funcionando dentro de sus especificaciones de diseño, Panamax le devolverá la unidad junto con una carta explicando los resultados de las pruebas e informándole del rechazo de su reclamación. Excepciones: Si la sustitución del protector del cliente hubiera sido realizada por un concesionario o instalador, el producto de sustitución será devuelto al instalador del concesionario, o bien, si se trata de un modelo de protector anterior a 1996, o si el cliente es canadiense, será sustituido por otro.

Panamax se reserva el derecho a inspeccionar los equipos conectados averiados, sus componentes o sus placas de circuito. Tenga en cuenta que todos los gastos de transporte de la unidad hasta Panamax corren por cuenta de usted. Panamax se reserva también el derecho a inspeccionar las instalaciones del cliente. Los equipos dañados cuya reparación sea negada por ser antieconómica deberán permanecer disponibles para su inspección por parte de Panamax hasta que se cierre la reclamación.

5. SOLICITUD DE PAGO:

Una vez que Panamax haya determinado que tiene usted derecho a una compensación, podrá optar por cualquiera de las siguientes alternativas, a elección de Panamax: pagarle el precio del equipo dañado, a valor de mercado; pagar el costo de la reparación; enviarle un equipo de recambio; o abonarle el valor equivalente al equipo de sustitución.

6. OTRAS GARANTÍAS O COBERTURAS: Esta cobertura es secundaria a toda otra garantía del fabricante, implícita o expresa, o a todo seguro y/o contrato de servicio que pudiera cubrir la pérdida.

7. EXCLUSIONES: LA POLÍTICA DE PROTECCIÓN DE EQUIPOS CONECTADOS (CONNECTED EQUIPMENT PROTECTION POLICY) DE PANAMAX NO CUBRE: Los honorarios por servicios, los costos de instalación, los costos de reinstalación; el costo de configuración; los gastos de diagnóstico; las comprobaciones periódicas; el mantenimiento de rutina; la pérdida de uso del producto; los costos o gastos derivados de la reprogramación o pérdida de programación y/o de datos; los gastos de envío o transporte; las llamadas al servicio técnico; las pérdidas o daños por fuego, robo, inundación, viento, accidentes, utilización indebida o abusiva; ni los productos reclamados directamente por el fabricante para su reparación o cualquier circunstancia similar.

8. RESOLUCIÓN DE DISPUTAS: Cualquier reclamación o controversia surgida como consecuencia de o en relación con la Política de protección de equipos conectados (Connected Equipment Protection Policy) de Panamax, o de su presunta violación, será resuelta mediante un proceso de arbitraje administrado por la Asociación Arbitral Americana (American Arbitration Association) conforme a sus Reglas para el arbitraje mercantil (Commercial Arbitration Rules). Puede usted solicitar un arbitraje en cualquier domicilio de la AAA en los Estados Unidos, previo pago de los honorarios correspondientes. El arbitraje correrá a cargo de un único árbitro, y se limitará exclusivamente a la controversia o discrepancia entre usted y Panamax. El arbitraje tendrá lugar en cualquier lugar mutuamente acordado, y podrá celebrarse presencialmente, por teléfono o a través de internet. Toda decisión emanada de uno de estos procedimientos de arbitraje será definitiva y vinculante para ambas partes, y podrá dictarse sentencia basándose en ella en un tribunal jurisdiccionalmente competente. El árbitro no podrá hacer recaer en ninguna de las partes ningún tipo de daños y perjuicios especiales, ejemplarizantes, emergentes, punitivos o costos de arbitraje (incluidos los honorarios del árbitro, si los hubiera) en la proporción que la decisión arbitral definitiva guarde con respecto al importe de la reclamación original.

9. ASPECTOS GENERALES: Si tiene alguna pregunta acerca de la garantía del producto o de la garantía de protección de equipos conectados, comuníquese con el Departamento de relaciones con el cliente (Customer Relations Department) de Panamax en la dirección www.panamax.com/support. Esta garantía prevalece sobre cualquier otra garantía anterior. ESTA ES LA ÚNICA GARANTÍA QUE VIENE INCLUIDA CON EL PROTECTOR. CUALQUIER OTRA GARANTÍA, YA SEA IMPLÍCITA O EXPLÍCITA, SE CONSIDERARÁ INEXISTENTE.

Esta garantía no podrá modificarse a menos que lo sea por escrito y con la firma de un directivo de Panamax Corporation.

* La utilización de un cable de extensión Panamax o equivalente (con certificación UL o CSA, calibre mínimo 14AWG, 3 alambres con toma de tierra) no invalida la garantía

** En el sitio Web de Panamax puede encontrar formularios de solicitud de autorizaciones de devolución de material (RMAs) y presentar una reclamación por daños en un equipo conectado.

Warning Notice

WARRANTY LIMITATION FOR INTERNET PURCHASERS

Panamax products purchased through the Internet do not carry a valid Connected Equipment Protection Policy unless purchased from an Authorized Panamax Internet Dealer! Authorized Panamax Internet Dealers have sufficient expertise to insure warranty compliant installations. For a list of Authorized Panamax Internet Dealers go to www.panamax.com.

CAUTION: Audio/Video, computer and/or telephone system installations can be very complex systems, which consist of many interconnected components. Due to the nature of electricity and surges, a single protector may not be able to completely protect complex installations. In those cases, a systematic approach using multiple protectors must be employed. Systematic protection requires professional design. AC power, satellite cables, CATV cables, A/V signal line cables or telephone/network lines entering the system that do not pass through a Panamax surge protector will render the Panamax connected equipment protection policy null and void. For additional information on how to protect your system, please contact Panamax before connecting your equipment to the surge protector.

Más información detallada está disponible en www.panamax.com.

Si tiene alguna pregunta acerca de estos requisitos, póngase en contacto con Relaciones con los Clientes.

PANAMAX

MODEL - MX5102
DOC. NO. IWS00850_SP REV. A
Effective Date 1/20/09

INS00850-SP REV.D 4/09

Free Manuals Download Website

<http://myh66.com>

<http://usermanuals.us>

<http://www.somanuals.com>

<http://www.4manuals.cc>

<http://www.manual-lib.com>

<http://www.404manual.com>

<http://www.luxmanual.com>

<http://aubethermostatmanual.com>

Golf course search by state

<http://golfingnear.com>

Email search by domain

<http://emailbydomain.com>

Auto manuals search

<http://auto.somanuals.com>

TV manuals search

<http://tv.somanuals.com>