

Voltage Range 103 Volts to 127 Volts @ 60 Hz
 Application Low Back Pressure
 Compressor Cooling Static / Fan Cooling

Refrigerant Control . . . Capillary Tube
 Evaporator
 Temp. Range -31°F to 23°F / -35°C to -5°C

Rated Performance Data*

	Cond. Temp I*	Cond. Temp II*
Capacity	604 Btu/h ±7%	669 Btu/h ±7%
E.E.R.	5.25 Btu/Wh ±7%	6.14 Btu/Wh ±7%
Current	1.10 Amps	1.05 Amps

Nominal Motor Data

Motor Input	.115 Watts	109 Watts
Rated Current		1.09 Amps
Type	RSCR, PTC relay	
Locked Rotor	7.7 Amps	
Start Current	13.3 Amps	
Coil Resistances @ 68°F (20°C)	Run . . . 5.64 Ohms	Start . . . 5.79 Ohms

*Test Conditions for Performance Specifications

Test Oil ISO VG 10
 Shell Temp 150.0°F / 65.0°C
 Condensing Temp (I) 130.0°F / 54.4°C
 (II) 105.0°F / 40.6°C
 Evaporating Temp -10.0°F / -23.3°C
 Ambient Temp 90.0°F / 32.2°C
 Gas Superheat 90.0°F / 32.2°C
 Liquid Sub-Cooling 90.0°F / 32.2°C

Electrical Accessories†

Overload Protector
 Nominal Operating Characteristics

Model Name	4TM314MFBYY
Manufacturer	Texas Instruments
Temperature To	Open: 239°F ± 9°F / 115°C ± 5°C
	Close: 142°F ± 16°F / 61°C ± 9°C
Trip Current	@ 158°F (70°C) 2.45 Amps ± 7.5%
	@ 77°F (25°C) 11.0 Amps @ 18 sec. max.

P.T.C. Starting Device

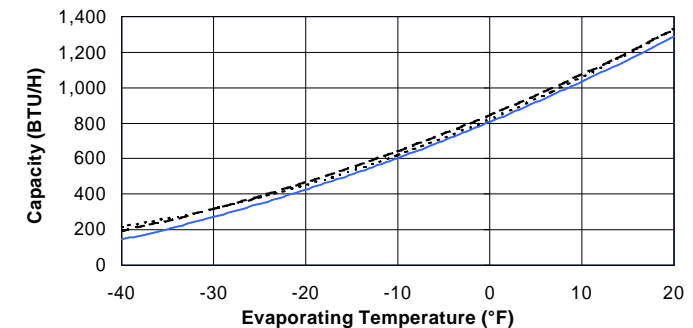
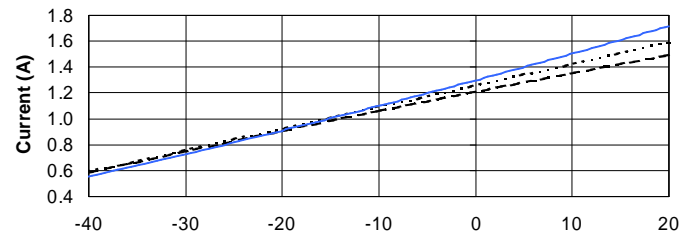
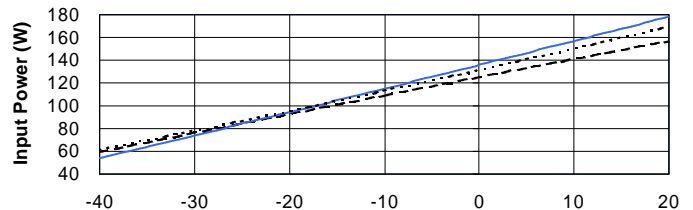
Nominal Operating Characteristics

	PTH7M100MD2	PTH490D-AS100	
Model Name	PTH7M100MD2	PTH490D-AS100	
Manufacturer	Murata Mfg.	Murata Mfg.	
Base resistance @ 77°F(25°C) ±20%	10	10	Ohms
Power Consumption (max)	2.8	2.8	Watts
Operation time	0.45 to 1.35	0.45 to 1.35	seconds
Recovery time (max)	50	55	seconds

Run Capacitor 12 µF 180 V (min.)

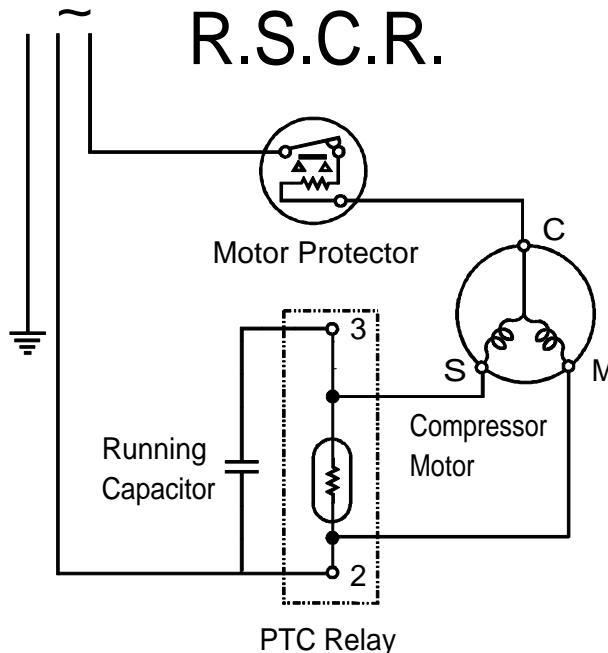
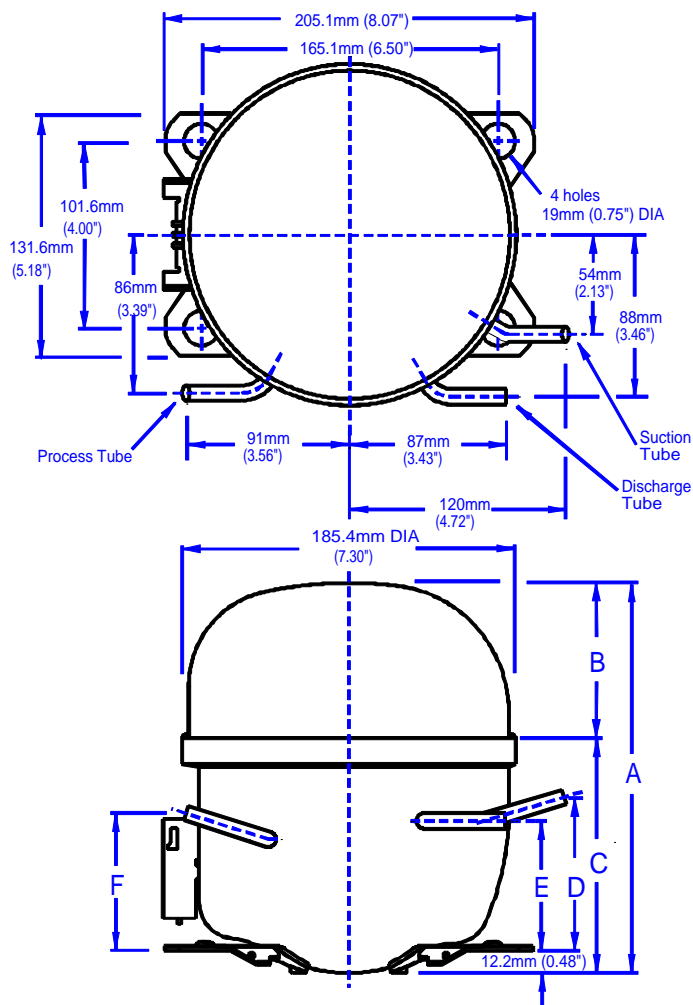
†Although these accessories are listed by UL/CSA for use with this compressor, Matsushita assumes no responsibility whatsoever for these or any other components sourced by the refrigeration system manufacturer from third parties.

Performance Curves



9 - Point Data

Condensing Temp.	Rating	Evaporating Temp.		
		-30°F	-10°F	+10°F
130°F	Btu/h	272	604	1,035
	Watts	74	115	157
	Amps	0.73	1.10	1.50
	E.E.R.	3.68	5.25	6.59
120°F	Btu/h	316	618	1,059
	Watts	78	113	150
	Amps	0.76	1.09	1.42
	E.E.R.	4.05	5.47	7.06
110°F	Btu/h	316	642	1,073
	Watts	76	109	141
	Amps	0.75	1.06	1.35
	E.E.R.	4.16	5.89	7.61



Dimensions*

	mm	inches
A	201.0	7.91
B	73.4	2.89
C	127.6	5.02
D	83.9	3.30
E	70.4	2.77
F	75.2	2.96

* All dimensions are for reference only

This document sets forth certain operational parameters and conditions for operation of this product. If this product is operated outside of the parameters and conditions stated herein, buyer assumes sole and full responsibility and shall indemnify seller with respect to all product failures and all consequences thereof. Operation of the product outside of the parameters and conditions specified herein shall serve to invalidate all seller warranties, if any, with respect to the product. This document is for reference only. For specifications, please contact Panasonic's engineering department.

Tubes	Tube O.D.	Wall	Material
Suction	0.33 in. / 8.3 mm	0.035 in. / 0.9 mm	Copper
Process	0.33 in. / 8.3 mm	0.035 in. / 0.9 mm	Copper
Discharge	0.33 in. / 8.3 mm	0.035 in. / 0.9 mm	Copper

U.L. File # SA 4615
C.S.A. File #'s LR - 36593

General Data Oil Charge . . 250 cc ± 5 cc / 15.3 cu.in. ± 0.3 cu.in.
Net Weight With Oil 20.5 lbs, 9.3 kg
Approved Oils:
FREOL . . α 10, α 10E, α 15, α 15E, α 22, α 22E
ICI RL10H, RL15H, RL22H
HENKEL ProEco 10S, 15S, 22S
Residual Moisture 120 mg max.
Impurities 10 mg max.
Displacement 5.10 cc. / 0.311 cu. in.

Free Manuals Download Website

<http://myh66.com>

<http://usermanuals.us>

<http://www.somanuals.com>

<http://www.4manuals.cc>

<http://www.manual-lib.com>

<http://www.404manual.com>

<http://www.luxmanual.com>

<http://aubethermostatmanual.com>

Golf course search by state

<http://golfingnear.com>

Email search by domain

<http://emailbydomain.com>

Auto manuals search

<http://auto.somanuals.com>

TV manuals search

<http://tv.somanuals.com>