

# Panasonic®

## Room Air Conditioner **OPERATING INSTRUCTIONS**

Before using your air conditioner, please read this operating instructions carefully and keep it for future reference.



### COOLING MODEL :-

Indoor	Outdoor
<b>CS-C9CKPG</b>	<b>CU-C9CKP6G</b>
<b>CS-C12CKPG</b>	<b>CU-C12CKP6G</b>

### HEAT-PUMP MODEL :-

Indoor	Outdoor
<b>CS-A9CKPG</b>	<b>CU-A9CKP6G</b>
<b>CS-A12CKPG</b>	<b>CU-A12CKP6G</b>

ENGLISH ..... P. 1 – P. 11

ESPAÑOL ..... P. 12 – P. 22

Please register your product at  
[www.panasonic.com/register](http://www.panasonic.com/register)

For assistance, please call; (866)-292-7292, for  
Hawaii residents call (808)-488-7779.

F563841

Thank you for purchasing our Panasonic Room Air Conditioner.

## CONTENTS

- ▶ **Features** ..... 1
- ▶ **Safety Precautions** ..... 2
  - Installation Precautions
  - Operation Precautions
- ▶ **Name of Each Part** ..... 3~4
  - Indoor Unit
  - Outdoor Unit
  - Accessories
  - Remote Control
- ▶ **Preparation Before Operation** ..... 5
  - Indoor Unit
  - Remote Control
- ▶ **How to Operate** ..... 5~6
- ▶ **Setting the Timer** ..... 7
- ▶ **Convenience Operation** ..... 7
  - Powerful Mode Operation
  - Economy Mode Operation
  - Quiet Mode Operation
- ▶ **Care and Maintenance** ..... 8
  - Cleaning the Indoor Unit and Remote Control
  - Cleaning the Air Filter
  - Cleaning the Front Panel
  - Air Purifying Filters
  - Pre-season Inspection
  - When the Air Conditioner is Not Used for an Extended Period of Time
  - Recommended Inspection
- ▶ **Helpful Information** ..... 9
- ▶ **Energy Saving and Operation Hints** ..... 9
- ▶ **Troubleshooting** ..... 10
  - Normal Operation
  - Abnormal Operation
  - Call the Dealer Immediately
- ▶ **Product Specification and Reference** ..... 11

**Note:**

Before using your air conditioner, please read this operating instructions carefully and keep it for future reference.

## FEATURES

- **Illuminating Button**  
For your convenience to operate the unit in the dark.  
(Refer page 4)
- **Automatic Operation**  
Sense indoor temperature to select the optimum mode.  
(Refer page 5)
- **Quiet Mode**  
To provide quiet operation.  
(Refer page 7)
- **Economy Mode**  
To reduce electrical power consumption.  
(Refer page 7)
- **Powerful Mode**  
Reaches the desired room temperature quickly.  
(Refer page 7)
- **Removable Front Panel**  
For quick and easy cleaning (washable).  
(Refer page 8)
- **Air Purifying Filter**  
This new filter helps trap small airborne particles such as dust, pollen and tobacco smoke.  
(Refer page 8)
- **Solar Refreshing Deodorizing Filter**  
Used to remove unpleasant odor and deodorize the air in the room.  
(Refer page 8)
- **Auto Restart Control**  
Restart the unit automatically after power failure.  
(Refer page 9)

## Warning

- 1) Operate your air conditioner from a stable 115 volts AC supply.
- 2) Use a 15 Amps (CS-C9CKPG/CU-C9CKP6G, CS-A9CKPG/CU-A9CKP6G) or 20 Amps (CS-C12CKPG/CU-C12CKP6G, CS-A12CKPG/CU-A12CKP6G) time delay fuse or a circuit breaker.
- 3) Disconnect from the main before servicing this appliance.
- 4) Do not repair by yourself.  
In case of malfunction of this appliance, do not repair by yourself. Contact the sales dealer or service dealer for a repair.
- 5) Turn off the power (Isolation from main power supply). Switch off the breaker, or switch off the power disconnecting means to isolate the equipment from the main power supply in case of an emergency.

POWER SUPPLY	
Time Delay Fuse:  15 Amps : CS-C9CKPG/ CU-C9CKP6G, CS-A9CKPG/ CU-A9CKP6G  20 Amps : CS-C12CKPG/ CU-C12CKP6G, CS-A12CKPG/ CU-A12CKP6G	Rated Volts:  115 V

## SAFETY PRECAUTIONS

Before operating, please read the following "Safety Precautions" carefully.

- To prevent personal injury, injury to others and property damage, the following instructions must be followed.
- Incorrect operation due to failure to follow instructions will cause harm or damage, the seriousness of which is classified as follow:



**Warning**

This sign warns of death or serious injury.



**Caution**

This sign warns of damage to property.

- The instructions to be followed are classified by the following symbols:



This symbol (with a white background) denotes an action that is PROHIBITED.



These symbols (with a black background) denote actions that are COMPULSORY.

### ■ Installation Precautions



**Warning**

- **Do not install, remove and reinstall the unit by yourself.**  
Improper installation will cause leakage, electric shock or fire. Please engage an authorized dealer or specialist for the installation work.



**Caution**



- **This room air conditioner must be earthed.**  
Improper grounding could cause electric shock.

- **Ensure that the drainage piping is connected properly.**  
Otherwise, water will leak out.



- **Do not install the unit in a potentially explosive atmosphere.**  
Gas leak near the unit could cause fire.

### ■ Operation Precautions



**Warning**

This sign warns of death or serious injury.



- Do not operate with wet hands.
- Do not insert finger or other objects into the indoor or outdoor units.
- Do not expose directly to cold air for a long period of time.



- Use specified power cord.



- If abnormal condition (burnt smell, etc.) occurs, switch off the power supply.



**Caution**

This sign warns of injury.



- Do not wash the unit with water.
- Do not use for other purposes such as preservation.
- Do not use any combustible equipment at airflow direction.
- Do not sit or place anything on the outdoor unit.



- Switch off the power supply before cleaning.
- Ventilate the room regularly.
- Pay attention as to whether the installation rack is damaged after a long period of usage.



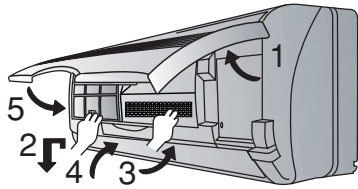
- Switch off the power supply if the unit is not used for a long period.





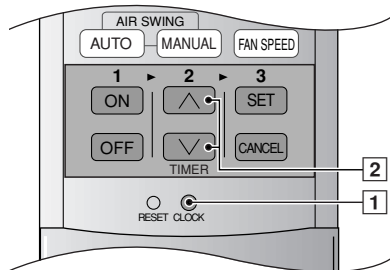
## PREPARATION BEFORE OPERATION

### Indoor Unit



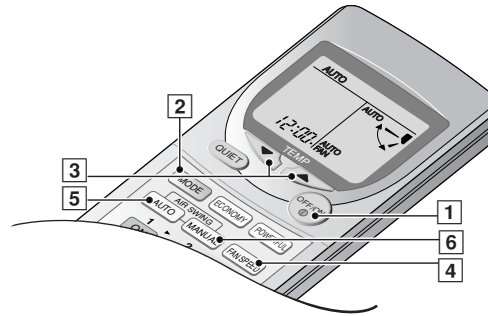
- 1 Open the front panel
- 2 Remove the air filters
- 3 Fit the air purifying filters in place
- 4 Insert the air filters
- 5 Close the front panel

### Remote Control – To set the current time



- 1 Press **1**.
  - 2 Then press **2** to increase or decrease the time.
  - 3 Press **1** again.
- Set time on display will light up.

## HOW TO OPERATE

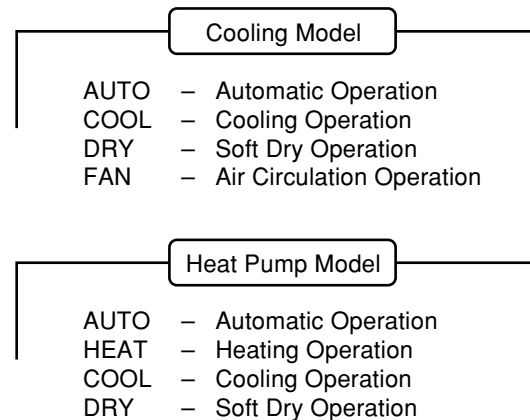


### To start the operation

- Press **1**.
- POWER indicator (green) on the indoor unit will light up.
- To stop, press once more.

### Setting Mode

- Press **2** to select:-



### Setting Temperature

- Press **3** to increase or decrease the temperature.
- The temperature can be set between 60°F ~ 86°F.
- Recommended temperature:

Cooling Model	Heat Pump Model
COOL → 75°F ~ 78°F	COOL → 75°F ~ 78°F
DRY → 2°F ~ 4°F lower than the room temperature	DRY → 2°F ~ 4°F lower than the room temperature
	HEAT → 68°F ~ 75°F

- During **AUTO** Operation, press **3** to select:-



- Operation with 4°F higher than the standard temperature.



- Operation with the standard temperature.



- Operation with 4°F lower than the standard temperature.

### Standard Temperature

Indoor temperature	Cooling Model	
	Operation	Standard temperature
73°F	Cooling	77°F
	Soft Dry	72°F

- Once the Automatic Operation is selected, the indoor temperature sensor operates automatically to select the desired operation mode with Cooling or Soft Dry.
- After the operation mode has been selected, the mode does not change.

Indoor temperature	Heat Pump Model	
	Operation	Standard temperature
73°F 68°F	Cooling	77°F
	Soft Dry	72°F
	Heating	70°F

- At the beginning of the automatic operation, Heating, Cooling or Soft Dry is automatically selected according to the indoor temperature.
- The operation mode changes every hour, when necessary.

■ **Setting the Fan Speed**

• Press [4] to select:-

- FAN ■ – Low Fan Speed
- FAN ■■■ – Medium Fan Speed
- FAN ■■■■ – High Fan Speed
- AUTO
- FAN – Automatic Fan Speed

The speed of the indoor fan is adjusted automatically according to the operation. The indoor fan stops occasionally during cooling operation.

■ **Setting the Vertical Airflow Direction**

• Press [5] or [6] to select:-

**Cooling Model**

**COOL / DRY Operation**  
[AUTO]

Swing up/down  
Automatically

**[MANUAL]**  
Five stages of adjustment can be made between 14 ~ 36 angle.

**FAN Operation**  
[AUTO]

Move up/down  
Automatically

**[MANUAL]**  
Five stages of adjustment can be made between 0 ~ 61 angle.

**Heat Pump Model**

**COOL / DRY Operation**  
[AUTO]

Swing up/down  
Automatically

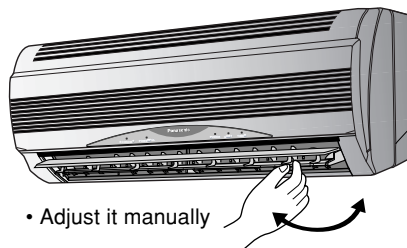
**[MANUAL]**  
Five stages of adjustment can be made between 14 ~ 36 angle.

**HEAT Operation**  
[AUTO]

- When the discharge air temperature is low such as at the start of heating operation, the air blows in a horizontal direction. As the temperature rises, the hot air blows in a downward direction.
- To stop this operation, press MANUAL.

**[MANUAL]**  
Five stages of adjustment can be made between 0 ~ 61 angle.

■ **Setting the Horizontal Airflow Direction**



● **Use this air conditioner under the following conditions:**

**Cooling Model**

(Unit in °F)

DBT: Dry Bulb Temp WBT: Wet Bulb Temp	Indoor		Outdoor	
	DBT	WBT	DBT	WBT
Maximum Temperature	89.6	73.4	109.4	78.8
Minimum Temperature	60.8	51.8	60.8	51.8

**Heat Pump Model**

(Unit in °F)

DBT: Dry Bulb Temp WBT: Wet Bulb Temp	Indoor		Outdoor	
	DBT	WBT	DBT	WBT
Maximum Temperature-Cooling (Maximum Temperature-Heating)	89.6 (86)	73.4 (-)	109.4 (75.2)	78.8 (64.4)
Minimum Temperature-Cooling (Minimum Temperature-Heating)	60.8 (60.8)	51.8 (-)	60.8 (23)	51.8 (21.2)

● **Notes**

- If the unit is not going to be used for an extended period of time, turn off the main power supply. If it is left at the ON position, approximately 2.5 W of electricity will be used even if the indoor unit has been turned off with the remote control.
- If operation is stopped, then restart immediately, the unit will resume operation only after 3 minutes.

● **Operation Details**

**COOL – Cooling Operation**

- To set the room temperature at your preference cooling comfort.

**AUTO – Automatic Operation**

- Sense indoor temperature to select the optimum mode.
- Temperature is not displayed on the remote control during AUTO operation.

**DRY – Soft Dry Operation**

- A very gentle Cooling Operation, prior to dehumidification. It does not lower the room temperature.
- During Soft Dry operation, the indoor fan operates at Low fan speed.

**HEAT – Heating Operation**

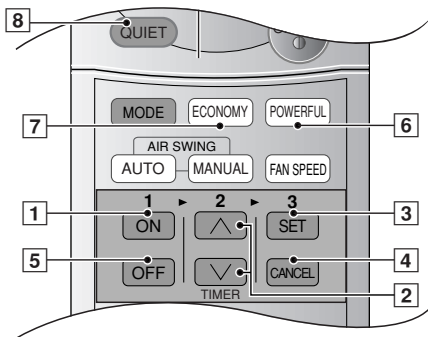
(for Heat Pump Model only)

- Heat is obtained from outdoor air to warm up the room. When the outdoor ambient air temperature falls, the heating capacity of the unit might be reduced.
- Defrosting Operation  
Depending on the outdoor temperature, the operation occasionally stops to melt the frost on the outdoor unit.

**FAN – Air Circulation Operation**

(for Cooling Model only)

- When the room temperature reaches the set temperature, operation commences at Low airflow volume. It stops when the room temperature drops to 4°F below the set temperature. (It is useful when using a heater).
- Hi fan speed will not operate when using the air circulation Fan mode.



## SETTING THE TIMER

Ensure that the current time is correct before setting the timer. The timer cannot be set if the time display is flashing.

### ■ ON-TIMER Operation

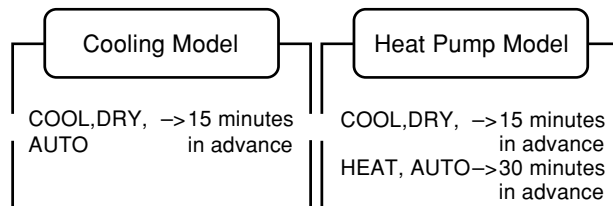
- To start the air conditioner operation automatically.
- Press **[1]** to set the operation.
- Press **[2]** to increase or decrease the time.
- Then press **[3]**.
- To cancel this operation, press **[4]**.

### ■ OFF-TIMER Operation

- To stop the air conditioner operation automatically.
- Press **[5]** to set the operation.
- Press **[2]** to increase or decrease the time.
- Then press **[3]**.
- To cancel this operation, press **[4]**.

### ● Timer Mode Operation Details

- When the ON-Timer is set, operation will start before the actual set time. This is to enable the room temperature reaches the set temperature at the set time.



- Once the ON/OFF Timer is set, operation will start/stop at the set time everyday.
- The current time is not displayed when the timers are set.
- When both timers are used together, the TIMER mode indicator on the indoor unit remains lit even when the operation is stopped by the OFF-TIMER.

## CONVENIENCE OPERATION

### ■ Powerful Mode Operation

To obtain the set temperature quickly.

- Press **[6]**.
- ✗ Powerful mode indicator (orange) on the indoor unit will light up.
- ✗ Powerful mode will operate for 15 minutes only.
- To cancel this operation, press once more.

### ■ Economy Mode Operation

To save electrical power consumption.

Please use this mode when the room has reached your desired temperature.

- Press **[7]**.
- ✗ Economy mode indicator (green) on the indoor unit will light up.
- Press once more to cancel this operation.

### ● Economy/Powerful Mode Operation Details

- Economy and Powerful operation cannot be selected simultaneously.
- The changes of the temperature and airflow volume are automatic.
- The remote control display remains unchanged.
- If operation mode button is pressed, economy or powerful operation will be cancelled.
- During **FAN** – Air circulation operation, the powerful and economy operation are not available. (for Cooling Model only)

Economy Mode Operation	Temperature	Airflow volume
COOL / DRY	1°F higher than set temp.	Super Low
HEAT (for Heat Pump model only)	1°F lower than set temp.	Automatic

Powerful Mode Operation	Temperature	Airflow volume
COOL / DRY	5°F lower than set temp.	Super High
HEAT (for Heat Pump model only)	5°F higher than set temp.	Automatic

### ■ Quiet Mode Operation

To provide quiet operation.

- Press **[8]**.
- ✗ Quiet mode indicator on the indoor unit will light up.
- To cancel this operation, press once more.

### ● Operation Details

- Air flow sound will reduce during operation.



## CARE AND MAINTENANCE

### ■ Cleaning the Indoor Unit and Remote Control

- Wipe gently with a soft, dry cloth.
- Do not use water hotter than 104°F or polishing fluid to clean the unit.

### ■ Cleaning the Air Filter

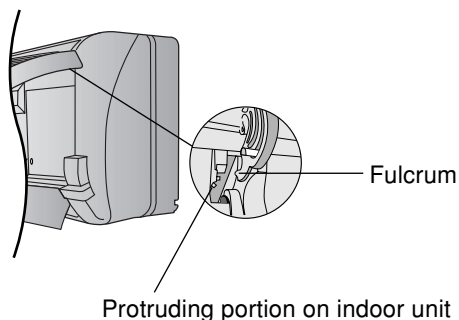
(Recommendation:- If the unit is operated in a dusty environment, clean the filters every two weeks. Continuous use of this dirty filters will reduce cooling or heating efficiency)

- 1 Remove dirt using a vacuum cleaner.
  - 2 Wash back of the air filter with water.
  - 3 If badly soiled, wash it with soap or a mild household detergent.
  - 4 Let it dry and reinstall it.  
Be sure the "FRONT" mark is facing you.  
✗ Damaged air filter.  
Consult the nearest authorized dealer.  
Part No.: CWD001098.
- Do not use benzene, thinner, scouring powder or clothes soaked in caustic chemical to clean the unit.

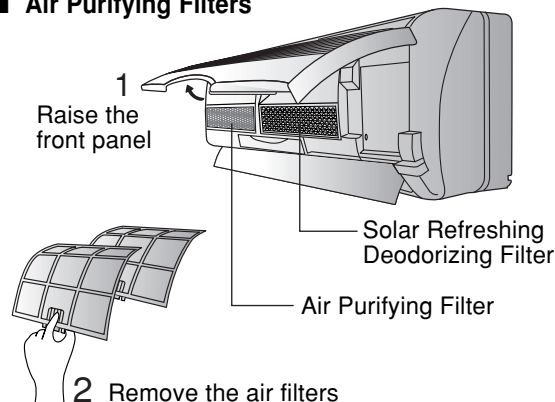
### ■ Cleaning the Front Panel

(Must be removed before washing)

- 1 Raise the front panel higher than the horizontal and pull to remove it.
- 2 Gently wash with water and a sponge.
  - Do not press the front panel too hard when washing.
  - When use kitchen cleaning fluid (neutral detergent), rinse thoroughly.
  - Do not dry the front panel under direct sunlight.
- 3 To affix the front panel, raise the front panel horizontally, match the protruding portion on the indoor unit to the fulcrum and push into place.



### ■ Air Purifying Filters



#### ● Solar Refreshing Deodorizing Filter

- Used to remove unpleasant odor and deodorize the air in the room.
- Reusable.
- Vacuum, place under direct sunlight for 6 hours and fit it back in place.  
(Recommended: every 6 months)
- Recommended to change this filter every 3 years.

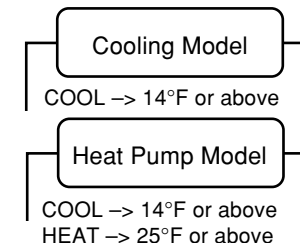
#### ● Air Purifying Filter

- This new filter helps trap small airborne particles such as dust, pollen and tobacco smoke.
- Recommended : change this filter every 3 months.
- Do not reuse damaged filters.  
Consult the nearest authorized dealer to purchase a new filter.  
Air Purifying Filter No.: CZ-SF51P  
Solar Refreshing Deodorizing Filter No.: CZ-SFD70P
- If you operate the air conditioner with dirty filters:-
  - Air is not purified
  - Cooling or heating capacity decreases
  - Foul odor is emitted

### ■ Pre-season Inspection

#### ● Is the discharged air cold/warm?

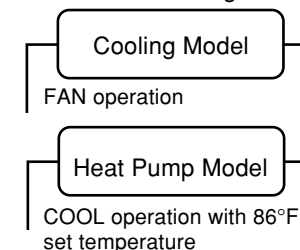
Operation is normal if 15 minutes after the start of operation, the difference between the air intake and outlet vents temperature is:-



- Are the air intake or outlet vents of the indoor or outdoor units obstructed?
- Are the remote control batteries weak?  
If the remote control display appears weak, replace the batteries.

### ■ When the Air Conditioner is Not Used for an Extended Period of Time

- 1 To dry the internal parts of the indoor unit, operate the unit for 2 - 3 hours using:-



- 2 Stop the operation by remote control and switch off the circuit breaker.  
Note : If the unit is not switched off by the remote control, it will start operating when the circuit breaker is switched to ON. (The unit is equipped with Auto Restart Control.)
- 3 Remove the remote control batteries.

### ■ Recommended Inspection

- After used over several seasons, the unit will become dirty and thus decreases the unit's performance. Depending on the operation conditions, a dirty unit may produce odor and dust may pollute dehumidification system. Therefore, a seasonal inspection is recommended in addition to regular cleaning. (Consult an authorized dealer.)

## HELPFUL INFORMATION

### ■ Auto Operation Button



- Raise the front panel and press.

### ● Automatic Operation

- If the remote control fails to function or has been misplaced, press the Auto Operation button to start the Automatic operation.
- The Automatic operation will be activated immediately once the Auto operation button is pressed. However, temperature cannot be adjusted when in this mode.
- The power indicator on the indoor unit will blink until the operation mode is selected automatically.
- To cancel this operation, press once more.

### ● Remote Control Signal Receiving Sound

- To switch off the beep (Signal Receiving Sound), press the Auto Operation button for 10 seconds continuously or longer.
  - A “beep”, “beep” sound will be heard at the tenth seconds.
- Note : A “beep” sound will be heard at the fifth seconds;
  - However please press continuously until you heard “beep”, “beep” sound.
- Repeat the above steps if you want to switch on the Signal Receiving Sound.

### ● (This is for Servicing purposes only.)

- Note: If you press this button continuously for 5 to 10 seconds, Test Run operation will be performed. A “beep” sound will be heard after five seconds indicating the Test Run starts to operate.

### ■ Auto Restart Control

- If power is resumed after a power failure, the operation will restart automatically after 3 - 4 minutes.
- Operation will be restarted automatically under the previous operation mode and airflow direction when power is resumed as the operation is not stopped by the remote control.

### ■ Timer Setting

- When power failure occurs, the timer setting will be cancelled. Once power is resumed, reset the timer.

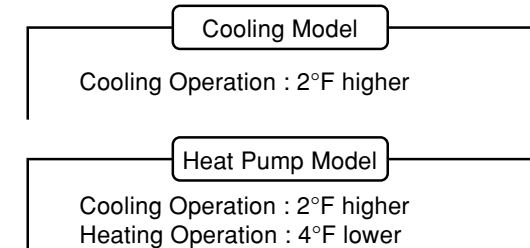
### ■ Thunder and Lightning

- This air conditioner is equipped with a built-in surge protective device. However, in order to further protect your air conditioner from being damaged by abnormally strong lightning activity, you may switch off the circuit breaker.

## ENERGY SAVING AND OPERATION HINTS

### ■ Setting the Temperature

- Approximately 10% of electricity can be saved.
- Set the temperature higher or lower than the desired temperature.



### ■ Air Filters

- Clean the air filters every 2 weeks.
- Dirty filters may reduce cooling or heating efficiency.

### ■ Keep All Doors and Windows Closed

- Otherwise, cooling or heating performance will be reduced and electricity cost is wasted.

### ■ Outdoor Unit

- Do not block the air outlet vents. Otherwise, it will lower the cooling or heating performance.

### ■ Timer

- To prevent wastage of electricity, use Timer when going out.

### ■ Avoid Direct Sunlight

- Keep curtains or drapes closed to avoid direct sunlight during cooling operation.

## TROUBLESHOOTING

### ■ Normal Operation

Is it okay?	Solution
<ul style="list-style-type: none"> <li>• Air conditioner has been restarted, but does not operate for 3 minutes.</li> </ul>	<ul style="list-style-type: none"> <li>• This is to protect the air conditioner. Wait until the air conditioner begins to operate.</li> </ul>
<ul style="list-style-type: none"> <li>• A sound like water flowing can be heard.</li> </ul>	<ul style="list-style-type: none"> <li>• This is the sound of refrigerant flowing inside the air conditioner.</li> </ul>
<ul style="list-style-type: none"> <li>• It seems that fog is coming out from the air conditioner.</li> </ul>	<ul style="list-style-type: none"> <li>• Condensation occurs when the airflow from the air conditioner cools the room.</li> </ul>
<ul style="list-style-type: none"> <li>• The room has a peculiar odor.</li> </ul>	<ul style="list-style-type: none"> <li>• This may be a damp smell emitted by the wall, carpet, furniture or clothing in the room.</li> </ul>
<ul style="list-style-type: none"> <li>• During Automatic Vertical Airflow setting, indoor fan stops occasionally.</li> </ul>	<ul style="list-style-type: none"> <li>• This is to remove smell emitted by the surroundings.</li> </ul>
<ul style="list-style-type: none"> <li>• The outdoor unit emits water or steam.</li> </ul>	<ul style="list-style-type: none"> <li>• In COOL/DRY operation, moisture in the air condenses into water on the cool surface of outdoor unit piping that causes dripping.</li> </ul>
<ul style="list-style-type: none"> <li>• (For Heat Pump Model only) Operation stops for about 12 minutes during heating (The power indicator blinks.)</li> </ul>	<ul style="list-style-type: none"> <li>• This is to melt the frost which has accumulated on the outdoor unit (defrosting operating). This will take no longer than about 12 minutes. Water drips from the outdoor unit. Wait until this operation ends. (The power indicator will light up.) (Frost accumulates on the outdoor unit when the outdoor temperature is low and humidity is high.)</li> </ul>
<ul style="list-style-type: none"> <li>• (For Heat Pump Model only) During heating operation, indoor fan may run at on and off conditions.</li> </ul>	<ul style="list-style-type: none"> <li>• This is to prevent undesired cooling effect during heating operation.</li> </ul>

### ■ Abnormal Operation

Check the following points before calling for repairs or service. If the malfunction persists, please contact your nearest servicenter. For assistance, please call: (866)-292-7292, for Hawaii residents call (808)-488-7779.

Symptoms?	Please check
<ul style="list-style-type: none"> <li>• <b>The air conditioner does not operate.</b></li> </ul>	<ul style="list-style-type: none"> <li>• Has the circuit breaker been tripped?</li> <li>• Is the timer being used correctly?</li> </ul>
<ul style="list-style-type: none"> <li>• <b>Air conditioner produces loud noise during operation.</b></li> </ul>	<ul style="list-style-type: none"> <li>• Is the installation work slanted?</li> <li>• Is the front grille closed properly?</li> </ul>
<ul style="list-style-type: none"> <li>• <b>The air conditioner does not cool or warm effectively.</b></li> </ul>	<ul style="list-style-type: none"> <li>• Has the temperature been set incorrectly?</li> <li>• Are the filters dirty?</li> <li>• Are the intake or outlet vents of the outdoor unit obstructed?</li> <li>• Are all windows and doors closed?</li> </ul>
<ul style="list-style-type: none"> <li>• <b>Remote control / display doesn't work.</b></li> </ul>	<ul style="list-style-type: none"> <li>• Batteries not inserted?</li> <li>• Batteries correctly inserted (+) and (-)?</li> </ul>

### ■ Call the Dealer Immediately

If the following conditions occur, turn off the circuit breaker, and then call your authorized Panasonic dealers or servicenter.

- **Abnormal noise is heard during operation.**
- **Water or foreign material gets into the remote control by mistake.**
- **Water leak from the indoor unit.**
- **Switches or buttons do not operate properly.**
- **The circuit breaker switches off frequently.**
- **Power supply cord becomes unusually warm.**

Service information can be obtained by calling (866)-292-7292, for Hawaii residents call (808)-488-7779.

To expedite the repair of your air conditioner:

- Please have your proof of purchase.
- List all symptoms the unit is exhibiting.



## PRODUCT SPECIFICATIONS

Models				CS-C9CKPG CU-C9CKP6G	CS-C12CKPG CU-C12CKP6G	CS-A9CKPG CU-A9CKP6G	CS-A12CKPG CU-A12CKP6G
ELECTRICAL RATING	Phase			1	1	1	1
	Frequency	(Hz)	60	60	60	60	
	Voltage	(V)	115	115	115	115	
COOLING	Capacity	(Btu/h)	8,800	12,300	8,200	12,000	
	Current	(Amp)	7.2	10.3	7.4	10.6	
	Input Power	(Watts)	790	1,160	810	1,200	
	EER	(Btu/Watt.h)	11.10	10.60	10.12	10.00	
	SEER		12.4	11.20	10.8	10.6	
	Room Air Circulation	(cf/min)	310	340	310	340	
HEATING	Capacity	(Btu/h)	–	–	9,200	13,500	
	Current	(Amp)	–	–	6.7	10.5	
	Input Power	(Watts)	–	–	730	1,190	
	COP	(Btu/Watt.h)	–	–	12.60	11.34	
	HSPF		–	–	8.0	7.4	
	Room Air Circulation	(cf/min)	–	–	350	360	
MOISTURE REMOVAL		(pints/h)	1.7	3.0	1.5	2.7	
DIMENSIONS	Indoor	Height	cm (inches)	27.5 (10 – 13/16)	←	←	←
		Width	cm (inches)	79.9 (31 – 15/32)	←	←	←
		Depth	cm (inches)	21.0 (8 – 9/32)	←	←	←
	Outdoor	Height	cm (inches)	54.0 (21 – 1/4)	←	←	←
		Width	cm (inches)	78.0 (30 – 23/32)	←	←	←
		Depth	cm (inches)	28.9 (11 – 3/8)	←	←	←
NET WEIGHT	Indoor	kg (lb)	9 (20)	←	←	←	
	Outdoor	kg (lb)	29 (64)	33 (73)	31 (68)	35 (77)	
GROSS WEIGHT	Indoor	kg (lb)	11 (24)	←	←	←	
	Outdoor	kg (lb)	33 (73)	37 (82)	35 (77)	39 (86)	

- Specifications are subject to change without notice for further improvement.

## ■ REFERENCE

Model Number:

-----

Dealer's Address:

-----

Dealer's Tel :

-----

Serial Number :

(Located on the side of unit)

-----

Date of Purchase :

-----

Dealer's Name:

-----

Please affix your proof of purchase here for future reference.

© 2002 Matsushita Electrical Co, Ltd. All Right Reserved.

Muchas gracias por elegir la unidad de Aire Acondicionado de Panasonic.

## CONTENIDO

- ▶ **Características** ..... 12
- ▶ **Medidas De Seguridad** ..... 13
  - Precauciones al instalar
  - Precauciones al operar
- ▶ **Nombre De Cada Pieza** ..... 14~15
  - Unidad Interior
  - Unidad Exterior
  - Accesorios
  - Control Remoto
- ▶ **Preparación Antes Del Funcionamiento** .... 16
  - Unidad Interior
  - Control Remoto
- ▶ **Cómo Hacerlo Funcionar** ..... 16~17
- ▶ **Ajuste Del Temporizador** ..... 18
- ▶ **Funcionamiento Conveniente** ..... 18
  - Funcionamiento en modo plena potencia
  - Funcionamiento en modo económico
  - Funcionamiento en modo silencioso
- ▶ **Cuidado Y Mantenimiento** ..... 19
  - Limpieza de la Unidad Interior y e Control Remoto
  - Limpieza de los Filtros de Aire
  - Limpieza del Panel Frontal
  - Filtros Purificadores de Aire
  - Inspección de Pretemporada
  - Cuando el Acondicionador de Aire No se Utiliza Durante un Período Largo de Tiempo
  - Inspección Recomendada
- ▶ **Información Útil** ..... 20
- ▶ **Sugerencias Para Ahorrar Energía y Para un Mejor Funcionamiento** ..... 20
- ▶ **Localización De Averías** ..... 21
  - Funcionamiento Normal
  - Funcionamiento Anormal
  - Comuníquese con el Distribuidor Inmediatamente
- ▶ **Especificaciones Del Producto** ..... 22

### Nota:

Antes de usar el acondicionador de aire, sírvase leer atentamente estas instrucciones de funcionamiento y conservarlas como futuro elemento de consulta.

## CARACTERÍSTICAS

- **Botón Iluminable**  
Para facilitar su manipulación en la oscuridad. (Página 15)
- **Funcionamiento Automático**  
Tome la temperatura interior para seleccionar el modo más apropiado. (Página 16)
- **Modo Silencioso**  
Para un funcionamiento silencioso. (Página 18)
- **Modo Económico**  
Para reducir el consumo de energía eléctrica. (Página 18)
- **Modo Potente**  
Alcanza la temperatura deseada de la habitación rápidamente. (Página 18)
- **Panel Frontal Extraíble**  
Para una limpieza más rápida y sencilla. (lavable) (Página 19)
- **Filtro De Purificador De Aire**  
Es un filtro que puede retener el polvo, el humo de tabaco y las partículas microscópicas del aire de la habitación. (Página 19)
- **Filtro solar desodorizador y refrescante**  
Sirve para eliminar el olor desagradable y para desodorizar el aire de la habitación. (Página 19)
- **Control Automático De Puesta En Marcha**  
Después de un fallo de corriente pone en marcha automáticamente la unidad. (Página 20)



## Advertencia

- 1) Haga funcionar el aparato de aire acondicionado conectándolo a una fuente estable de CA de 115 voltios.
- 2) Utilice un fusible de retardo de 15 Amperios (CS-C9CKPG/CU-C9CKP6G, CS-A9CKPG/CU-A9CKP6G) o 20 Amperios (CS-C12CKPG/CU-C12CKP6G, CS-A12CKPG/CU-A12CKP6G) un interruptor.
- 3) Antes de efectuar el mantenimiento de este aparato desenchúfelo de la red.
- 4) No lo repare usted mismo.  
En el caso de funcionamiento defectuoso de la unidad, no lo repare usted mismo. Acuda al representante de ventas o al servicio técnico para su reparación.
- 5) Desconecte la alimentación (corte del suministro principal de corriente).  
Desconecte el enchufe del tomacorriente, desconecte el interruptor de circuito o desconecte la alimentación desconectando el equipo del suministro principal de alimentación para evitar accidentes.

### TOMA DE CORRIENTE

Fusible de retardo:	Voltaje asignado:
15 Amperios: CS-C9CKPG/ CU-C9CKP6G, CS-A9CKPG/ CU-A9CKP6G	115 V
20 Amperios: CS-C12CKPG/ CU-C12CKP6G, CS-A12CKPG/ CU-A12CKP6G	

## MEDIDAS DE SEGURIDAD

Antes de operar el equipo, por favor lea cuidadosamente las siguientes "Medidas de Seguridad"

- Para prevenir heridas personales, heridas a otras personas y daños de la propiedad, se deben seguir las siguientes instrucciones.
- El uso incorrecto por no seguir las instrucciones puede causar daños o averías; su gravedad se clasifica con las indicaciones siguientes:

### Advertencia

Esta indicación muestra la posibilidad de causar muerte o daños serios.

### Cuidado

Esta indicación advierte sobre la posibilidad de daños a la propiedad.

- Las instrucciones a seguir están clasificadas mediante los símbolos siguientes:



Símbolo (con el fondo blanco) denota una acción que está PROHIBIDA.






Símbolos (con el fondo negro) denotan una acción que es OBLIGATORIA de hacer.

## ■ Precauciones al Instalar

### Advertencia

- **No instale ni desinstale ni reinstale la unidad usted mismo.**  
Una instalación incorrecta puede causar fugas de agua, descargas eléctricas o incendio. Por favor consulte al distribuidor autorizado o a un especialista para el trabajo de instalación.

### Cuidado

-  **Este acondicionador de aire de habitación debe ser conectado a tierra.**  
Puede causar una sacudida eléctrica si el contacto a tierra no es perfecto.
-  **Compruebe que las tuberías de drenaje están conectadas adecuadamente.**  
Sino habrá pérdidas de agua.
-  **No instale la unidad en una atmósfera potencialmente explosiva.**  
Las fugas de gas cerca de la unidad pueden causar un incendio.

## ■ Precauciones al Operar

### Advertencia

Esta indicación muestra la posibilidad de causar muerte o daños serios.



- No opere la unidad con las manos mojadas.
- No inserte los dedos ni ningún tipo de objetos en las unidades interna o externa.
- No se exponga directamente al aire frío por mucho tiempo.



- Utilice el cable especificado.



- Si detecta una situación anormal (por ejemplo, olor a quemado), pare el acondicionador de aire el suministro de alimentación.

### Cuidado

Esta indicación muestra la posibilidad de causar daño o avería solamente en la propiedad.



- No lave la unidad con agua.
- No utilice el aparato para otros fines como la conservación de alimentos.
- Desconecte la unidad antes de limpiarla.
- No se sienta o coloque objetos sobre la unidad exterior.



- Apague el aparato antes de proceder a su limpieza.
- Ventile la habitación regulamente.
- Compruebe si el bastidor de instalación está dañado después de haber usado el aparato durante un largo período.



- Desconecte la corriente si no va a utilizar la unidad durante un período largo de tiempo.

# NOMBRE DE

## ■ Unidad Interi

- 1 Panel Frontal
- 2 Entrada De Aire
- 3 Salida De Aire
- 4 Persiana Vertical Para El
- 5 Persiana Horizontal Para El  
(Ajustada Manualmente)
- 6 Panel indicador

1 Botón de funcionamiento automático  
(Al abrir el panel frontal)

- 2 Indicador del modo económico – VERDE
- 3 Indicador del modo de plena potencia – NARANJA
- 4 Indicador de energía – VERDE
- 5 Indicador del modo de silencioso – NARANJA
- 6 Indicador del modo de temporizador – NARANJA

- 4
- 5 Ma
- 6 Salida

1 Transmisor de señales

Actualización de funciones

de funcionamiento en modo silencioso

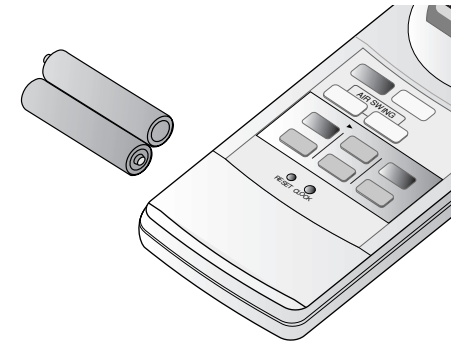
de la temperatura de la habitación  
(e)

de funcionamiento

en modo económico

de la dirección del

## ● Cómo insertar las pilas



**1** Deslice hacia abajo por completo la tapa del mando a distancia para retirarla.

**2** Inserte las pilas

- Compruebe si es la posición correcta.
- 12:00 en el visor - parpadeando.
- Ajuste inmediatamente la hora actual en el reloj para evitar el desgaste de las pilas.(CLOCK)

**3** Vuelva a colocar la tapa del mando a distancia insertándola en las ranuras laterales y haciendo presión hacia dentro.

**4** Sobre las pilas

utilizar durante aproximadamente un

**condiciones cuando**

nismo tipo.

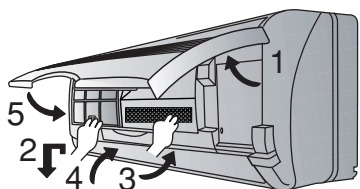
(Li-Cd).

utilizar la unidad



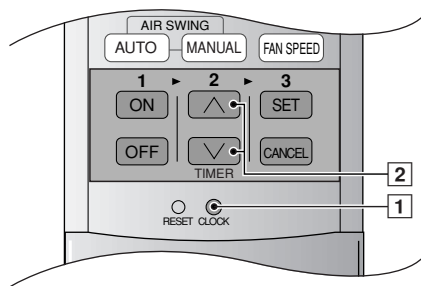
## PREPARACIÓN ANTES DEL FUNCIONAMIENTO

### ■ Unidad Interior



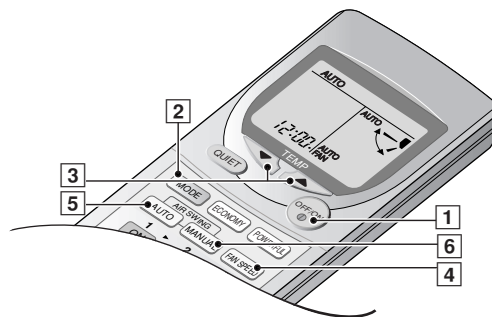
- 1 Abra la parrilla delantera
- 2 Retire los filtros de aire
- 3 Coloque en su lugar los filtros purificadores de aire.
- 4 Inserte los filtros de aire
- 5 Cierre el panel frontal

### ■ Control Remoto – Para poner en hora



- 1 Presione **1**.
- 2 A continuación presione **2** para cambiar la hora en sentido ascendente o descendente.
- 3 Vuelva a presione **1**.  
La hora actual se iluminará en el visor.

## CÓMO HACERLO FUNCIONAR



### ■ Para iniciar el funcionamiento

- Presione **1**.
- El indicador POWER (energía) (verde) de la unidad interior se encenderá.
- Para parar, presione una vez más.

### ■ Ajuste del modo

- Presione **2** para seleccionar:-

#### Modelo de refrigeración

AUTO – Funcionamiento en modo automático  
 COOL – Funcionamiento en modo refrigeración  
 DRY – Funcionamiento en modo secado suave  
 FAN – Funcionamiento en modo circulación de aire

#### Modelo Bomba de Calor

AUTO – Funcionamiento en modo automático  
 HEAT – Funcionamiento en modo calefacción  
 COOL – Funcionamiento en modo refrigeración  
 DRY – Funcionamiento en modo secado suave

### ■ Ajuste de la temperatura

- Presione **3** para aumentar o reducir la temperatura.
- La temperatura se puede ajustar entre 60°F ~ 86°F.
- Temperatura recomendada:

Modelo de refrigeración	Modelo Bomba de Calor
COOL → 75°F ~ 78°F	COOL → 75°F ~ 78°F
DRY → 2°F ~ 4°F por debajo de la temperatura ambiente	DRY → 2°F ~ 4°F por debajo de la temperatura ambiente
	HEAT → 68°F ~ 75°F

- Durante el funcionamiento en **AUTO**, presione **3** para seleccionar:-



- Funcionamiento a 4°F por encima de la temperatura ambiente.



- Funcionamiento a la temperatura ambiente.



- Funcionamiento a 4°F por debajo de la temperatura ambiente.

### ● Temperatura estándar

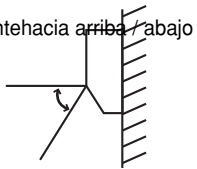
Modelo de refrigeración		
Temperatura de interior	Operación	Temperatura estándar
73°F	Enfriado	77°F
	Secado Suave	72°F

- Cada vez que el boton de seleccion de modo de funcion es presionado, el sensor de tempura interior funciona automaticamente para seleccionar el modo de funcion deseado con Enfriamiento o Secado Suave.
- Una vez seleccionado el modo de funcionamiento, éste no cambia.

Modelo Bomba de Calor		
Temperatura de interior	Operación	Temperatura estándar
73°F 68°F	Enfriado	77°F
	Secado Suave	72°F
	Aquecimiento	70°F

- Al inicio del funcionamiento automático, los modos de Calefacción, Refrigeración o Secado Suave se seleccionan de acuerdo con la temperatura interior.
- El modo de operación cambia cada hora, cuando sea necesario.

se mueve automáticamente hacia arriba / abajo



Cambio automático

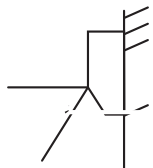
**MANUAL**

Pueden establecerse cinco etapas de ajuste ángulo 14 – 36.

se mueve hacia arriba o hacia abajo automáticamente.

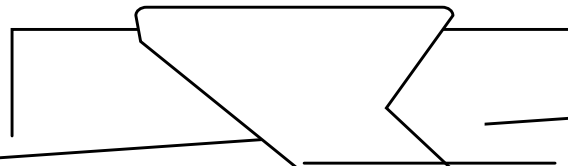
**MANUAL**

Pueden establecerse cinco etapas de ajuste ángulo 0 – 61.



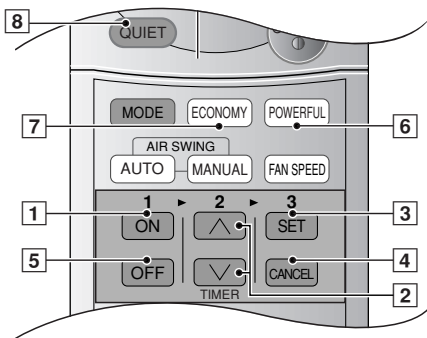
## ■ Ajuste de la dirección horizontal del flujo de aire

- Ajuste de la r



### ● Notas

- Si la unidad largo de tiempo alimentaci



## AJUSTE DEL TEMPORIZADOR

Asegúrese de que la hora actual es la correcta antes de ajustar los temporizadores. Los temporizadores no pueden ser ajustados si el visualizador de la hora emite destellos.

### ■ Funcionamiento ON-TIMER (Temporizador de conexión)

Para poner en marcha automáticamente el acondicionador de aire.

- Presione [1] para programar el funcionamiento.
- Presione [2] para aumentar o reducir el tiempo.
- Luego presione [3].
- Para cancelar esta operación, presione [4].

### ■ Funcionamiento OFF-TIMER (Temporizador de desconexión)

Para parar automáticamente el funcionamiento del acondicionador de aire.

- Presione [5] para programar el funcionamiento.
- Presione [2] para aumentar o reducir el tiempo.
- Luego presione [3].
- Para cancelar esta operación, presione [4].

### ● Detalles sobre el funcionamiento en modo temporizador

- Cuando se ajusta ON-Timer, el funcionamiento comenzará antes de la hora ajustada actual. Esto es para permitir que la temperatura de la habitación alcance la temperatura ajustada a la hora ajustada.

#### Modelo de refrigeración

COOL, DRY, → 15 minutos en progresión

#### Modelo Bomba de Calor

COOL, DRY → 15 minutos en progresión  
HEAT, AUTO → 30 minutos en progresión

- Una vez establecido el mecanismo de encendido y apagado automático (ON/OFF), el aparato se pondrá en marcha diariamente a la hora establecida.
- La hora actual no se visualiza cuando se ajustan los temporizadores.
- Cuando se usan a la vez ambos temporizadores, el indicador de modo TIMER (temporizador) de la unidad interior permanece encendido cuando el OFF-TIMER detiene el aparato.

## FUNCIONAMIENTO CONVENIENTE

### ■ Funcionamiento en modo plena potencia

Para conseguir rápidamente la temperatura establecida.

- Presione [6].
- ✗ El indicador del modo de plena potencia (naranja) se enciende en la unidad interior.
- ✗ El modo potente funcionará sólo durante 15 minutos.
- Para cancelar esta operación, vuelva a presionar otra vez.

### ■ Funcionamiento en modo económico

Para ahorrar en el consumo de energía.

Conviene usar este modo cuando la habitación ha alcanzado la temperatura deseada.

- Presione [7].
- ✗ El indicador del modo económico (verde) se enciende en la unidad interior.
- Para cancelar esta operación, vuelva a presionar otra vez.

### ● Detalles sobre el funcionamiento del modo económico/plena potencia

- No es posible seleccionar simultáneamente los modos Económico y Potente.
- Los cambios de la temperatura y del flujo de aire son automáticos.
- El visor del mando a distancia permanece sin cambios.
- Si se pulsa el de funcionamiento, se cancelarán el modo de economía o de máxima potencia.
- Durante el **FAN** funcionamiento del ventilador-circulación de aire, los modos potente y económico no están disponibles. (sólo modo de refrigeración)

Funcionamiento en modo económico	Temperatura	Volumen de flujo de aire
COOL / DRY	1°F por encima de la temperatura establecida	Super bajo
HEAT (sólo para el modelo de Bomba de Calor)	1°F por debajo de la temperatura establecida	Automáticos

Funcionamiento en modo plena potencia	Temperatura	Volumen de flujo de aire
COOL / DRY	5°F por debajo de la temperatura establecida	Super alto
HEAT (sólo para el modelo de Bomba de Calor)	5°F por encima de la temperatura establecida.	Automáticos

### ■ Funcionamiento en modo silencioso

Para un funcionamiento silencioso.

- Presione [8].
- ✗ El indicador del modo silencioso se enciende en la unidad interior.
- Para cancelar esta operación, vuelva a presionar otra vez.

### ● Detalles de funcionamiento

- El sonido del aire se reduce durante el funcionamiento.

## CUIDADO Y MANTENIMIENTO

### ■ Limpieza de la Unidad Interior y el Control Remoto

- Limpie suavemente con un trapo suave y seco.
- No use agua por encima de los 104°F ni abrillantadores para limpiar la unidad.

### ■ Limpieza de los Filtros de Aire

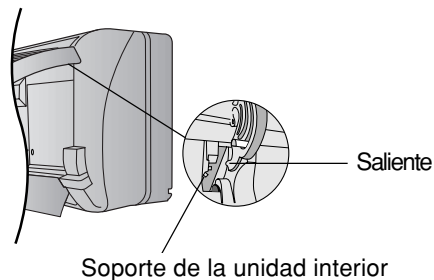
(Recomendación: Si la unidad funciona en un ambiente con polvo, limpie los filtros cada dos semanas, ya que el uso continuado de estos filtros sucios reduce la eficacia de la refrigeración o calefacción)

- 1 Quite la suciedad utilizando una aspiradora.
  - 2 Lave la parte posterior del filtro de aire con agua.
  - 3 Si están muy sucios, lávelos con jabón o con un detergente suave.
  - 4 Deje secar los filtros y colóquelos de nuevo. Asegúrese de que el lado marcado "FRONT" se encuentra hacia adelante.
- ✗ Filtro de aire averiado.  
Consulte con su comerciante autorizado más próximo.  
Pieza No: CWD001098.
- No use bencina, thinner, desengrasadores ni paños empapados en productos cáusticos para la limpiar la unidad.

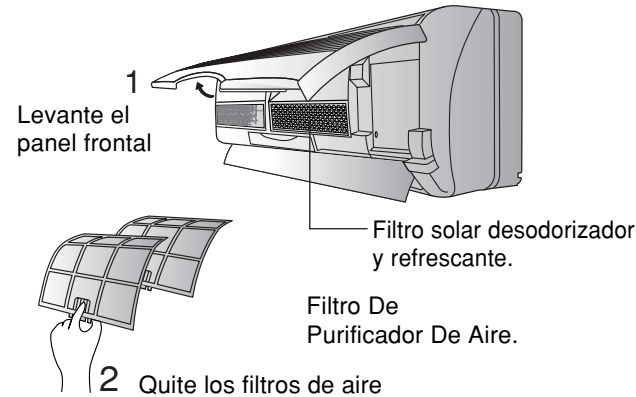
### ■ Limpieza del Panel Frontal

(Debe ser removido antes de lavarlo)

- 1 Levante el panel frontal por encima del horizontal y tire para extraerlo.
- 2 Lávelo suavemente con agua y una esponja.
  - No presione el panel frontal demasiado fuerte cuando lo lave.
  - Cuando use limpiadores de cocina (detergente neutro), aclare abundantemente.
  - No seque el panel frontal bajo la luz directa del sol.
- 3 Para fijar el panel frontal, levante el panel frontal horizontalmente, haga coincidir la parte sobresaliente de la unidad de interior con el punto de apoyo y haga presión para fijarlo.



### ■ Filtros Purificadores De Aire



#### ● Filtro solar desodorizador y refrescante.

- Sirve para eliminar el olor desagradable y para desodorizar el aire de la habitación.
- Reutilizable
- Aspírelo, colóquelo a la luz directa del sol durante 6 horas y vuelva a colocarlo en su lugar. (Recomendado: cada 6 meses)
- Se recomienda cambiar estos filtros cada 3 años.

#### ● Filtro De Purificador De Aire.

- Este nuevo filtro ayuda a retener pequeñas partículas transportadas en el aire, tales como polvo, polen y humos de tabaco.
- Se recomienda cambiar estos filtros cada 3 meses.
- No reutilice los filtros dañados. Consulte al vendedor autorizado más próximo para la compra de un filtro nuevo.  
Filtro De Purificador De Aire No: CZ-SF51P  
Filtro solar desodorizador y refrescante. No: CZ-SFD70P
- Si el acondicionador de aire funciona con filtros sucios:-
  - El aire no se purifica
  - La capacidad de enfriamiento o calefacción disminuye
  - Emitirá olores fétidos

## INFORMACIÓN ÚTIL

### ■ Botón de funcionamiento automático



- Levante el panel frontal y presione.

### ● Funcionamiento automático

- Si el mando a distancia deja de funcionar o ha quedado mal colocado, pulse el botón de funcionamiento automático para poner en marcha el aparato.
- El funcionamiento automático se activará inmediatamente al pulsar el botón Auto de funcionamiento. Sin embargo, la temperatura no puede ajustarse en esta operación.
- El indicador de alimentación de la unidad interior parpadeará hasta que se seleccione automáticamente el modo de funcionamiento.
- Para cancelar esta operación, vuelva a presionar otra vez.

### ● Sonido de recepción de la señal del mando a distancia

- Para desactivar el pitido (sonido de recepción de la señal), pulse el botón de funcionamiento automático por espacio de 10 segundos o más.  
El sonido "beep", "beep" se oirá pasados 10 segundos.  
Nota: el sonido "beep" se oirá pasados 5 segundos; pero debe seguir apretando hasta oír el sonido "beep", "beep".
- Repita los mismos pasos si desea activar el sonido de recepción de la señal.

### ● (Sólo para fines de servicio técnico)

- Nota: Si pulsa este botón por espacio de 5 a 10 segundos, se pondrá en marcha la prueba de funcionamiento. A los 5 segundos se oirá un pitido indicando el inicio de dicha prueba.

### ■ Control de Autorecomienzo

- Si hay un corte eléctrico, la unidad comenzará a funcionar automáticamente de 3 - 4 minutos después de que se haya restablecido la corriente.
- El funcionamiento se reanuda automáticamente en el modo de funcionamiento previo y en la misma dirección del chorro de aire cuando se restablezca el fluido eléctrico salvo que se haya interrumpido dicho funcionamiento desde el mando a distancia.

### ■ Ajuste del Temporizador

- Cuando se producen cortes de corriente, se cancelará la configuración del temporizador. Reajuste el temporizador tan pronto como se restablezca la corriente.

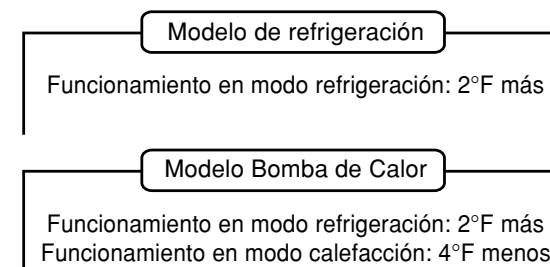
### ■ Tormentas Electricas

- Esta unidad de aire acondicionado está equipada con un dispositivo protector contra subidas de tensión incorporado. Sin embargo, para ofrecer una mayor protección a su unidad de aire acondicionado ante una subida anormal del flujo eléctrico, debería desconectar el cortacircuitos.

## SUGERENCIAS PARA AHORRAR ENERGÍA Y PARA UN MEJOR FUNCIONAMIENTO

### ■ Ajuste de la Temperatura

- Se puede ahorrar aproximadamente el 10% de electricidad
- Ajusta la temperatura por encima o por debajo de la temperatura deseada.



### ■ Filtro de Aire

- Limpie el filtro de aire cada dos semanas.
- Los filtros sucios pueden reducir la eficacia de la refrigeración o calefacción.

### ■ Mantenga Cerradas Todas las Puertas y Ventanas

- De lo contrario, se verá reducido el rendimiento de la refrigeración o calefacción y se usará electricidad innecesariamente.

### ■ Unidad Exterior

- No bloquee las rejillas de salida de aire ya que reduciría la eficacia de la refrigeración o calefacción.

### ■ Temporizador

- Para evitar el derroche de electricidad, use el temporizador cuando salga de casa.

### ■ Evite la Exposición a la luz Solar Directa

- Mantenga las cortinas o los cortinajes cerrados para evitar la luz directa del sol mientras funciona el refrigerador.

## LOCALIZACIÓN DE AVERÍAS

### ■ Funcionamiento Normal

#### Ocurre esto?

- Enciende el acondicionador de aire, pero no funciona durante 3 minutos.
- Se escucha un sonido como de agua corriendo.
- Parecerá que sale neblina del acondicionador de aire.
- La habitación tiene un olor peculiar.
- Durante el ajuste del Flujo Automático de Aire, el ventilador interior se suele parar.
- De la unidad exterior salen agua o vapor.
- (Sólo para el modelo de Bomba de Calor)  
El funcionamiento se detiene por espacio de 12 minutos durante el calentamiento (El indicador de energía parpadea)
- (Sólo para el modelo de Bomba de Calor)  
Mientras la calefacción está en funcionamiento, el ventilador de interior puede ponerse en marcha tanto si está encendido como apagado.

#### Esta es la respuesta

- Es para proteger el acondicionador de aire. Espere hasta que el acondicionador empiece a funcionar.
- Es el ruido del paso del refrigerante por las tuberías del acondicionador de aire.
- La condensación se produce cuando el chorro de aire del acondicionador enfría la habitación
- Puede tratarse del olor a humedad producido por las paredes, las alfombras o las telas de la habitación.
-

## ESPECIFICACIONES DEL PRODUCTO

Modèlo				CS-C9CKPG CU-C9CKP6G	CS-C12CKPG CU-C12CKP6G	CS-A9CKPG CU-A9CKP6G	CS-A12CKPG CU-A12CKP6G
CLASIFICACION DE LA ÉLECTRICIDAD							
Fase				1	1	1	1
Fréqcuencia (Hz)				60	60	60	60
Voltaje (V)				115	115	115	115
REFRIGERACIÓN	Capacidad (Btu/h)			8.800	12.300	8.200	12.000
	Corriente (Amps)			7,2	10,3	7,4	10,6
	Potencia (W)			790	1.160	810	1.200
	EER (Btu/W.h)			11,10	10,60	10,12	10,00
	SEER			12,4	11,20	10,8	10,6
	Circulacion de aire (pie³/min)			310	340	310	340
CALEFACCIÓN	Capacidad (Btu/h)			–	–	9.200	13.500
	Corriente (Amps)			–	–	6,7	10,5
	Potencia (W)			–	–	730	1.190
	EER (Btu/W.h)			–	–	12,60	11,34
	HSPF			–	–	8,0	7,4
	Circulacion de aire (pie³/min)			–	–	350	360
Déshumidificacion (pinte/h)				1,7	3,0	1,5	2,7
DIMENSIONES	Interior	Alto	cm (pulgadas)	27,5 (10 – 13/16)	←	←	←
		Ancho	cm (pulgadas)	79,9 (31 – 15/32)	←	←	←
		Profundidad	cm (pulgadas)	21,0 (8 – 9/32)	←	←	←
	Exterior	Alto	cm (pulgadas)	54,0 (21 – 1/4)	←	←	←
		Ancho	cm (pulgadas)	78,0 (30 – 23/32)	←	←	←
		Profundidad	cm (pulgadas)	28,9 (11 – 3/8)	←	←	←
PESO NETO	Interior	kg (libras)	9 (20)	←	←	←	
	Exterior	kg (libras)	29 (64)	33 (73)	31 (68)	35 (77)	
PESO BRUTO	Interior	kg (libras)	11 (24)	←	←	←	
	Exterior	kg (libras)	33 (73)	37 (82)	35 (77)	39 (86)	

- Las especificaciones estan sujetas a cambios por mejoras sin previo aviso.

## ■ REFERENCIA

Numero de modelo:

Nombre del comerciante:

Telefono del comerciante :

Numero de serie :  
(Localizado en el costado de la unidad)

Fecha de adquisicion :

Nombre del comerciante:

Favor de pegar la prueba de su compra aqui  
para su futura referencia.

© 2002 Matsushita Electrical Co, Ltd. Derechos Reservados.

PANASONIC CONSUMER ELECTRONICS COMPANY,  
DIVISION OF MATSUSHITA ELECTRIC  
CORPORATION OF AMERICA  
One Panasonic Way  
Secaucus, New Jersey 07094

PANASONIC SALES COMPANY,  
DIVISION OF MATSUSHITA ELECTRIC OF PUERTO RICO, INC.,  
Ave. 65 de Infanteria, Km. 9.5  
San Gabriel Industrial Park  
Carolina, Puerto Rico 00985

## Panasonic Split Air Conditioner Products Parts Limited Warranty

### Limited Warranty Coverage

If your product does not work properly because of a defect in materials or workmanship in a Panasonic provided part, Panasonic Consumer Electronics Company or Panasonic Sales Company (collectively referred to as "the warrantor") will, for the length of the period indicated on the chart below, which starts with the date of purchase ("warranty period"), at its option, repair or provide a replacement for that part(s) with new or refurbished parts.

Product or Part Name	Parts
All components of Split Air Conditioner except Compressor and Remote Control Transmitter	One (1) Year
Compressor	Five (5) Year
Remote Control Transmitter (in exchange for defective item)	Ninety (90) Days

During the warranty period, there will be no charge for parts. **This warranty does not include labor** for replacing defective parts or other costs incurred for servicing such as contractor visit or contractor minimum charges, installing, removing, shipping or handling. Such cost may or may not be covered by a separate warranty provided by the contractor who installed the product. If a part or parts are defective, the contractor will advise Panasonic, and Panasonic will forward the replacement part(s) to the contractor. If non-rechargeable batteries are included, they are not warranted. This limited warranty only applies to products purchased and serviced in the United States or Puerto Rico and is extended only to the original purchaser of a new product which was not sold "as is". A purchase receipt or other proof of the original purchase/installation date is required for warranty service.

### Exercising Your Warranty

To exercise your warranty in the United States contact the contractor who installed the product or, in all states other than Hawaii call (866)-292-7292; for Hawaii residents call (808)-488-7779. For assistance in Puerto Rico call Panasonic Sales Company (787)-750-4300 or fax (787)-768-2910.

### Limited Warranty Limits And Exclusions

This warranty ONLY COVERS failures due to defects in materials or workmanship in components provided by Panasonic, and DOES NOT COVER normal wear and tear or cosmetic damage. The warranty ALSO DOES NOT COVER damages which occurred in shipment, or failures which are caused by products not supplied by the warrantor, or failures which result from accidents, misuse, abuse, neglect, mishandling, misapplication, alteration, faulty installation, set-up adjustments, operating the product in a corrosive atmosphere containing chlorine, fluorine, or any other chemicals, misadjustment of consumer controls, improper maintenance, power line surge, lightning damage, modification, or service by anyone other than an authorized contractor, or damage that is attributable to acts of God.

**THERE ARE NO EXPRESS WARRANTIES EXCEPT AS LISTED UNDER "LIMITED WARRANTY COVERAGE". THE WARRANTOR IS NOT LIABLE FOR INCIDENTAL OR CONSEQUENTIAL DAMAGES RESULTING FROM THE USE OF THIS PRODUCT, OR ARISING OUT OF ANY BREACH OF THIS WARRANTY.** (As examples, this excludes damages for lost time, parts used in connection with normal maintenance such as air filters and owner-required maintenance. The items listed are not exclusive, but are for illustration only.) **ALL EXPRESS AND IMPLIED WARRANTIES, INCLUDING THE WARRANTY OF MERCHANTABILITY, ARE LIMITED TO THE PERIOD OF THE LIMITED WARRANTY.**

Some states do not allow the exclusion or limitation of incidental or consequential damages, or limitations on how long an implied warranty lasts, so the exclusions may not apply to you.

This warranty gives you specific legal rights and you may also have other rights which vary from state to state. If a problem with this product develops during or after the warranty period, you may contact your authorized contractor. If the problem is not handled to your satisfaction, then write to the warrantor's Consumer Affairs Department at the addresses listed for the warrantor.

**PARTS WHICH ARE NOT COVERED BY THIS LIMITED WARRANTY, INCLUDING WITHOUT LIMITATION THE COST OF AN IN-HOME SERVICE CALL, ARE YOUR RESPONSIBILITY.**



## Free Manuals Download Website

<http://myh66.com>

<http://usermanuals.us>

<http://www.somanuals.com>

<http://www.4manuals.cc>

<http://www.manual-lib.com>

<http://www.404manual.com>

<http://www.luxmanual.com>

<http://aubethermostatmanual.com>

Golf course search by state

<http://golfingnear.com>

Email search by domain

<http://emailbydomain.com>

Auto manuals search

<http://auto.somanuals.com>

TV manuals search

<http://tv.somanuals.com>