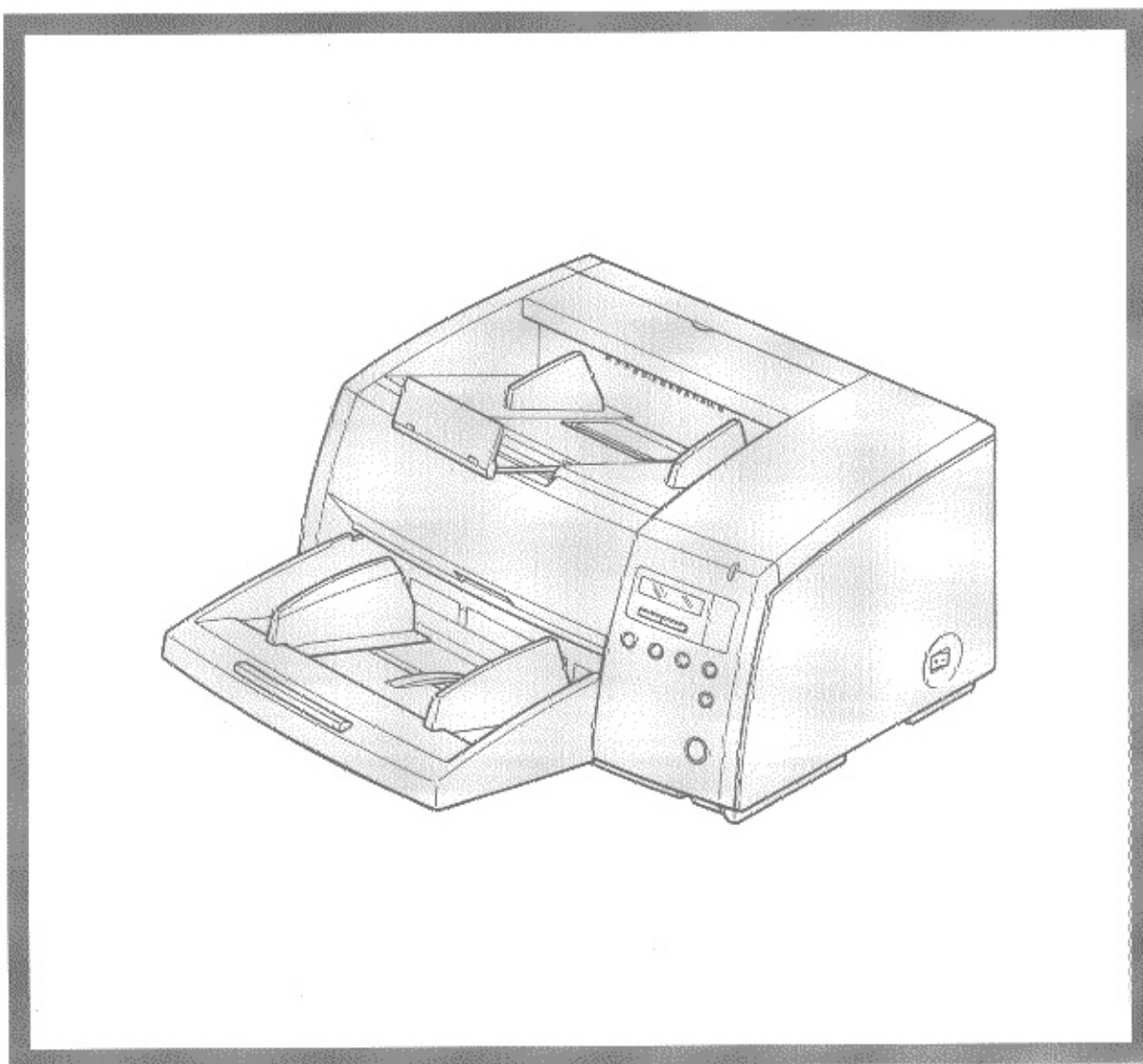


Panasonic

High Speed Scanner

Operating Instructions

Model No. **KV-S2055L / KV-S2055W /**
KV-S2055LU / KV-S2055WU



These instructions contain the information on operating the scanner. Before reading these instructions, please go through the installation manual enclosed with this unit.

Please carefully read these instructions, the enclosed installation manual and maintenance manual. Keep these documentation in safe place for future reference.

Thank you for purchasing a Panasonic "High Speed Scanner".

Congratulations, you have just entered a new environment with a Panasonic high speed scanner.

- For the versatile solution for imaging needs, Panasonic developed Panasonic Image Enhancement Technology to improve the quality of your originals.
- Red and Green lamp setting right from the display panel to select dropout color quite easily.
- With these easy-to-use functions, reliable paper handling, easy maintenance and more, Panasonic would like to contribute to your imaging needs.
- Difference between the KV-S2055L/KV-S2055LU and KV-S2055W/KV-S2055WU is only scanning document size. Please refer to page 41 or 42 "Specifications" for details.

■ Required Host System Conditions

When using the scanner, the required host computer conditions are as follows.

CPU	486 DX 66 MHz or higher (Pentium 166 MHz or higher is recommended.)
Memory	16 MB or higher (64 MB or higher is recommended.)
OS	Windows [®] 3.1 / Windows [®] 95 / Windows [®] 98 / Windows NT [®]
SCSI board	Adaptec Brand AHA-1540 Series / AHA-2940 Series are recommended.

※The scanning speed differs depending on the host computer operating environment or application.

- Windows[®] is Microsoft[®] Windows[®] operating system.
- Microsoft[®] and Windows[®] are registered trademarks of Microsoft Corporation in the United States and/or other countries.
- Adaptec is registered trademark of Adaptec, Inc.
- AHA is trademark of Adaptec, Inc.
- Each company's name or company product name is each company's trademark or registered trademark.

The information given in these Operating Instructions is subject to change without notice.
These Operating Instructions are printed on recycled paper.

Table of Contents

	Page
Notice	4
Precautions	7
Component Identification	10
Display Panel Instructions	11
● Display panel and keys	11
● Setting the scanner	12
Loading Documents	25
Secondary Settings	28
● Selecting the paper path for scanned document	28
● Setting the ADF/manual feed selector	28
Clearing Paper Jams	29
● Removing paper jams from the scanner	29
● Removing paper jams from the exit part	29
Cleaning the Unit	30
● Outside of the scanner	30
● Inside the scanner	30
● Cleaning the rollers	30
● Cleaning the scanning section glass, white sensor rollers, document sensors and double feed detection sensors	32
● Roller cleaning paper	34
Replacing Consumable	35
Repacking Instructions	40
Specifications	41
Troubleshooting	43
Index	46

※German display on the display panel is described on pages 14 through 24 and 44 to 45, and German contents to be selected are described on pages 15 through 23.

Notice

Federal Communications Commission Requirements

(For United States only)

Note: This equipment has been tested and found to comply with the limits for a Class A digital device, pursuant to part 15 of the FCC Rules. These limits are designed to provide reasonable protection against harmful interference when the equipment is operated in a commercial environment. This equipment generates, uses, and can radiate radio frequency energy and, if not installed and used in accordance with the instruction manual, may cause harmful interference to radio communications. Operation of this equipment in a residential area is likely to cause harmful interference in which case the user will be required to correct the interference at his own expense.

FCC Warning: To assure continued FCC compliance, the user must use only shielded interface cable and the provided power supply cord. Also, any unauthorized changes or modifications to this equipment would void the user's authority to operate this device.

English

WARNING:

TO PREVENT FIRE OR SHOCK HAZARD, DO NOT EXPOSE THIS PRODUCT TO RAIN OR ANY TYPE OF MOISTURE.

THE SOCKET-OUTLET MUST BE NEAR THIS EQUIPMENT AND MUST BE EASILY ACCESSIBLE.

Français

Avertissement:

Pour éviter tout risque d'incendie ou de choc électrique, ne pas soumettre cet appareil à la pluie ou à l'humidité.

"La prise secteur devra se trouver à proximité de l'appareil et être facilement accessible."

Deutsch

Warnung:

Zur Verhütung von Feuer dem und elektrischem Schlag dieses Erzeugnis nicht Regen oder sonstiger Feuchtigkeit aussetzen.

Die Steckdose muß nahe bei diesem Gerät angebracht und leicht zugänglich sein.



Für Benutzer in der BRD

Hinweis:

Der arbeitsplatzbezogene Geräuschemissionswert dieses Gerätes beträgt ≤ 70 dB(A) nach DIN 45635 Teil 19.

For your safety please read the following text carefully.

(For United Kingdom only)

This appliance is supplied with a moulded three pin mains plug for your safety and convenience. A5 amp. fuse is fitted in this plug. Should the fuse need to be replaced please ensure that the replacement fuse has a rating of 5 amps, and that it is approved by ASTA or BSI to BS1362. Check for the ASTA mark  or the BSI mark  on the body of the fuse. If the plug contains a removable fuse cover you must ensure that it is refitted when the fuse is replaced. If you lose the fuse cover the plug must not be used until a replacement cover is obtained. A replacement fuse cover can be purchased from your local Panasonic Dealer.

If the fitted moulded plug is unsuitable for the socket outlet in your home then the fuse should be removed and the plug cut off and disposed of safely.

There is danger of severe electrical shock if the cut off plug is inserted into any 13 amp. socket.

If a new plug is to be fitted please observe the wiring code as shown below. If in any doubt please consult a qualified electrician.

WARNING : This appliance must be earthed.

IMPORTANT : The wires in this mains lead are coloured in accordance with the following code.

Green-and-Yellow	: Earth
Blue	: Neutral
Brown	: Live

As the colours of the wire in the mains lead of this appliance may not correspond with the coloured markings identifying the terminals in your plug, proceed as follows.

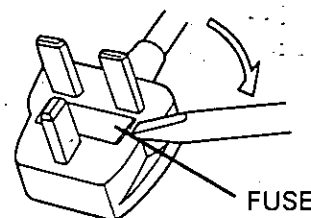
The wire which is coloured Green-and-Yellow must be connected to the terminal in the plug which is marked with the letter E or by the Earth symbol \perp or coloured Green-and-Yellow.

The wire which is coloured Blue must be connected to the terminal in the plug which is marked with the letter N or coloured Black.

The wire which is coloured Brown must be connected to the terminal in the plug which is marked with the letter L or coloured Red.

How to replace the fuse :

Open the fuse compartment with a screwdriver and replace the fuse.



English

The product should be used only with a power cord that is supplied by the manufacturer.

Français

Le produit ne devra être utilisé qu'avec le cordon d'alimentation fourni par le fabricant.

Deutsch

Dieses Gerät darf nur mit dem vom Hersteller gelieferten Netzkabel verwendet werden.

Notice

For roller cleaning paper

Before using the roller cleaning paper, please read these instructions completely. Keep these instructions for future reference.

English

WARNING

- Do not drink or inhale the roller cleaning paper fluid including isopropyl alcohol.
- The roller cleaning paper may be harmful to sensitive skin, so please use protective gloves.
- Do not use the roller cleaning paper near a heater or open flame.
- Do not store the roller cleaning paper in direct sunlight or in a place over 40 °C (104 °F).
- Only use the roller cleaning paper to clean the rollers and scanning area.
- If you need more information about the roller cleaning paper, please refer to the Material Safety Data Sheet (MSDS).
- Please ask your Panasonic sales company about obtaining the Material Safety Data Sheet.

KEEP AWAY FROM FIRE.

Français

Avertissement

- Ne pas absorber le liquide du papier de nettoyage de rouleaux fourni ni en respirer les émanations car il contient de l'alcool isopropylique.
- Le papier de nettoyage de rouleaux pouvant être néfaste pour les peaux sensibles, utiliser des gants de protection.
- Ne pas utiliser le papier de nettoyage de rouleaux à proximité d'un feu ou d'une flamme vive.
- Ne pas ranger le papier de nettoyage de rouleaux en plein soleil ni à une température dépassant 40 °C (104 °F).
- Utiliser le papier de nettoyage de rouleaux exclusivement pour le nettoyage des rouleaux et de la surface de balayage.
- Pour tout renseignement complémentaire sur le papier de nettoyage de rouleaux, voir la feuille de données sur la sécurité du matériel.
- Pour la feuille de données sur la sécurité du matériel, s'adresser au revendeur Panasonic.

NE PAS APPROCHER DU FEU.

Deutsch

WARNUNG

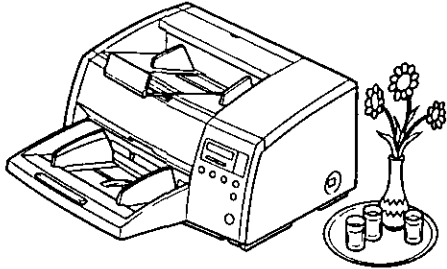
- Die Walzenreinigungspapier-Reinigungsflüssigkeit enthält Isopropylalkohol und darf auf keinen Fall getrunken oder inhaliert werden.
- Bitte Schutzhandschuhe tragen, da das Walzenreinigungspapier bei empfindlicher Haut Reizungen verursachen kann.
- Das Walzenreinigungspapier nicht in der Nähe von Heizgeräten oder offenen Flammen verwenden.
- Das Walzenreinigungspapier nicht in direkter Sonneneinstrahlung oder an Orten lagern, an denen Temperaturen von mehr als 40 °C erreicht werden.
- Zum Reinigen der Walzen und des Scanbereichs ausschließlich das Walzenreinigungspapier verwenden.
- Weitere Informationen zum Walzenreinigungspapier sind dem Material Sicherheits-Datenblatt zu entnehmen.
- Das Material Sicherheits-Datenblatt ist auf Wunsch von Ihrem Panasonic-Fachhändler erhältlich.

VON FEUER FERNHALTEN!

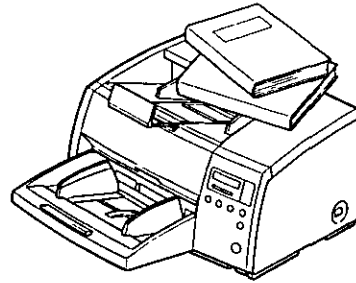
Precautions

The following precautions are recommended to extend the life of the unit

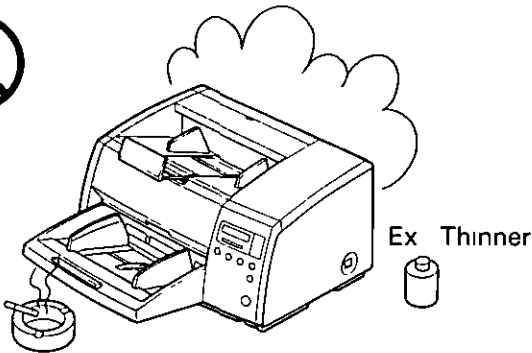
Do not place any liquids near the unit
— Accidental spillage of liquid into the unit may cause severe damage. If this occurs, turn the unit off, unplug the power cord and call for service.



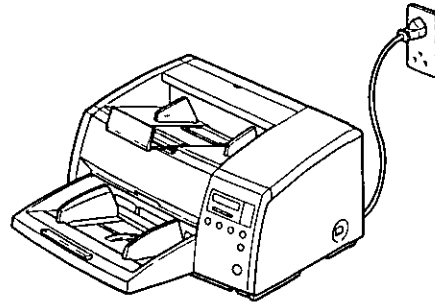
Do not place books, paper, or other items on the unit



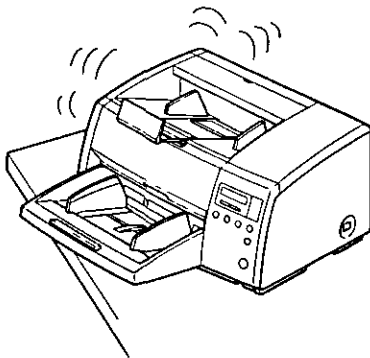
Do not place the unit in an area where there is a lot of smoke, dust, chemical fumes or vibration



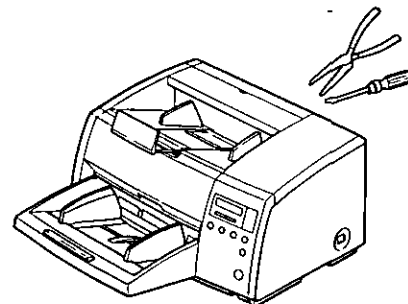
Do not leave the power cord plugged into the AC outlet if the unit is not used for an extended period



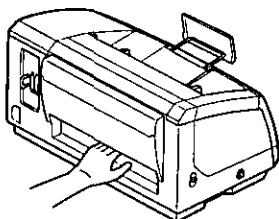
Do not place the unit on an uneven or unstable surface



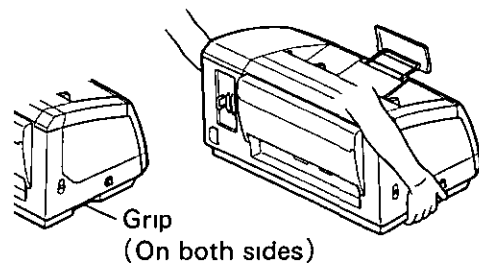
Do not disassemble the unit



Do not insert your fingers into the back opening in the scanner

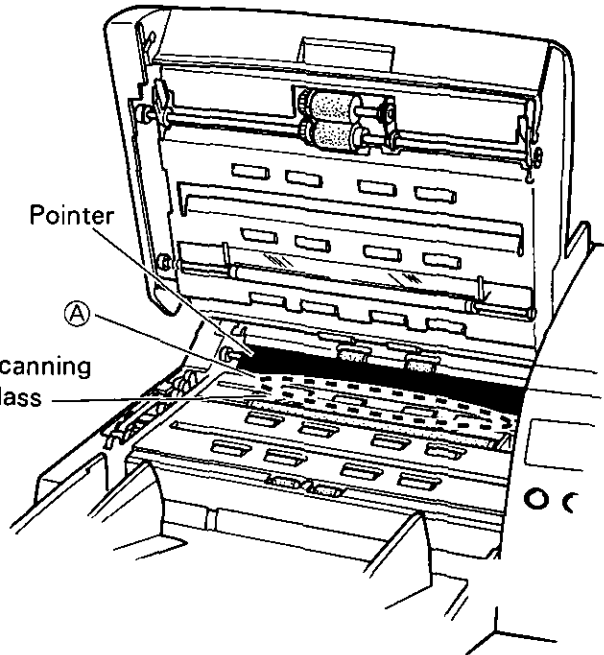
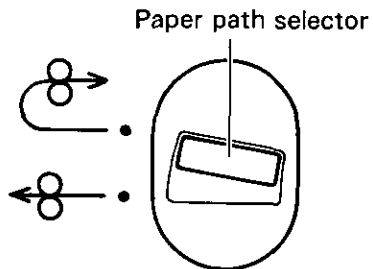


When carrying the unit, please hold both side grips



Precautions

When wiping the rollers of part ① or bottom scanning section glass, raise the paper path selector.
(Refer to page 31.)



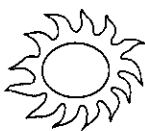
- When the paper path selector is set to the lower side, if your hands touch the tip of the plastic pointer (black), it may cause injury.

- Special care should be taken to protect the unit if it is used in a less than optimum environment such as a dusty or sandy area.

Operating Environment

Do not subject the unit to the following conditions.

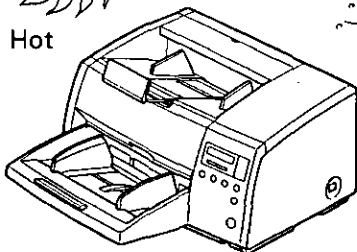
Do not place the unit in direct sunlight or in a cold draft.



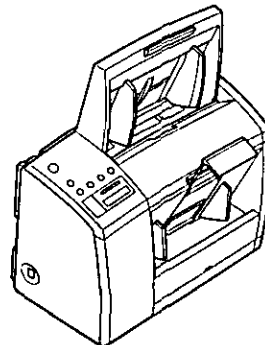
Hot



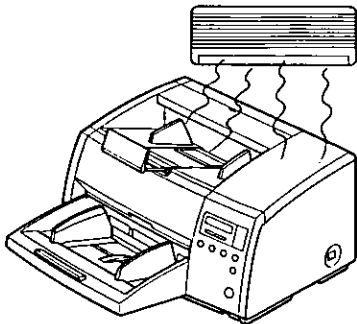
Cold



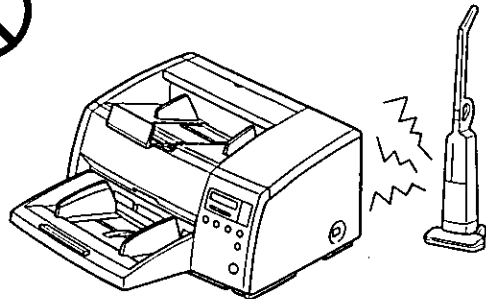
Do not operate the unit in a vertical position.



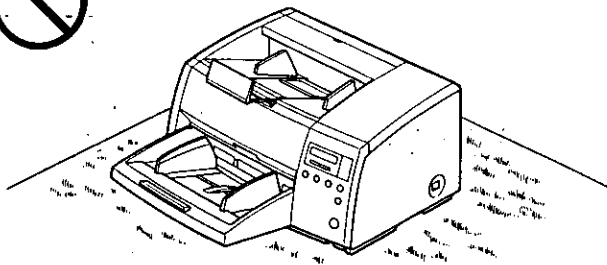
Do not place the unit near a heating appliance or an air conditioning vent. Do not place the unit in a room with extremely high or low humidity.



Do not place the unit near other appliances which generate large electrical noise.

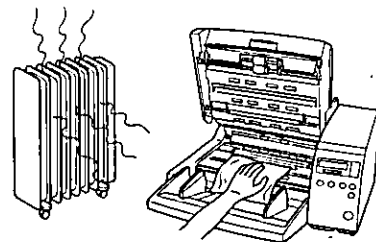


Do not place the unit on a carpet. (Static electricity can cause the unit to malfunction.)



Do not drink or inhale the included roller cleaning paper fluid. The roller cleaning paper may be harmful to sensitive skin, so please use protective gloves.

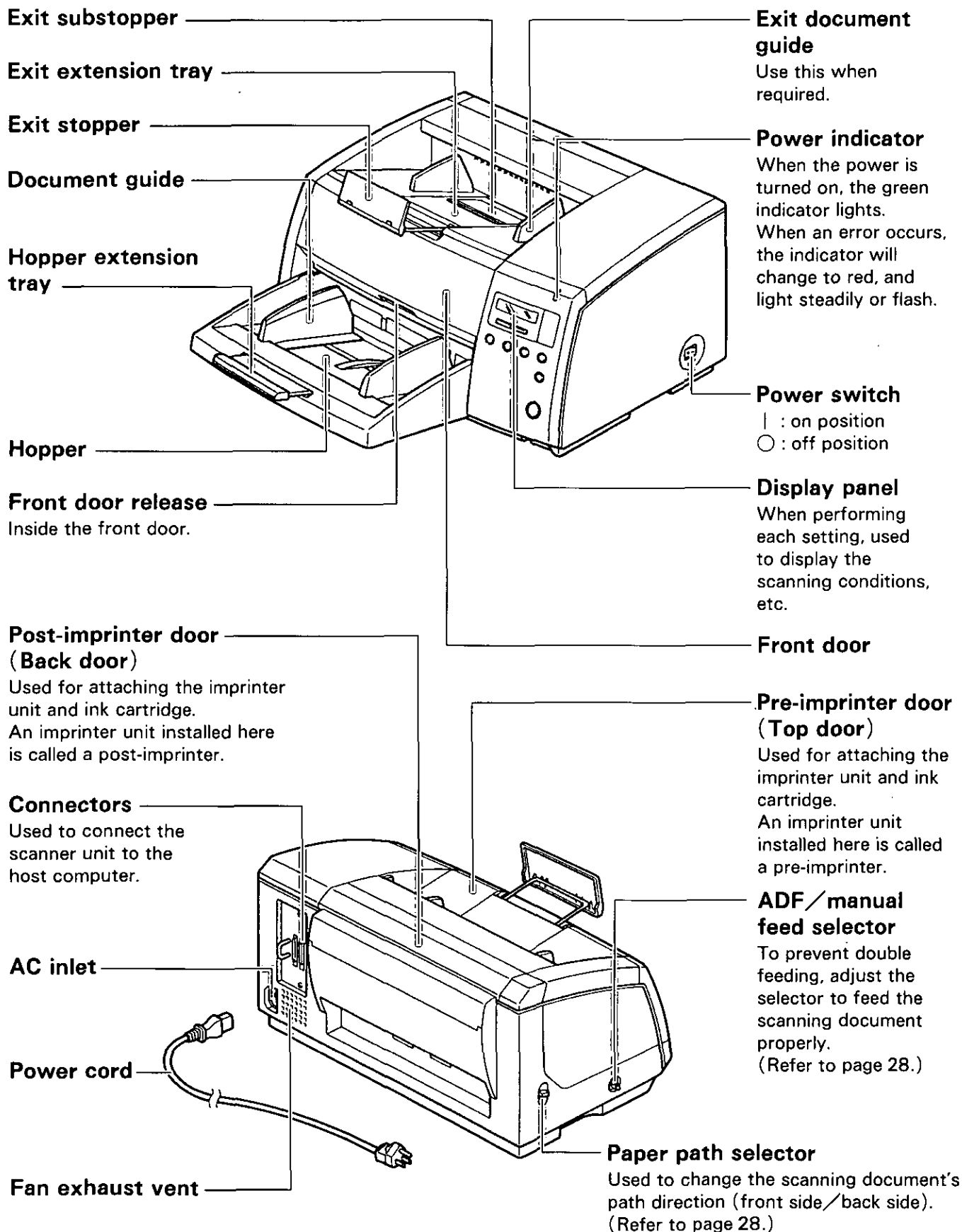
Do not use the roller cleaning paper near a heater or open flame. This may cause a fire.



● Power Source

- Use a voltage level that does not vary more than $\pm 10\%$ from the voltage level marked on the nameplate (located on the back side of the scanner).
- Do not use an extension cord.
- This scanner should be connected to a grounded outlet.
- Do not use a line conditioner, transient suppressor or surge protector.

Component Identification



Exit substopper

Exit extension tray

Exit stopper

Document guide

Hopper extension tray

Hopper

Front door release
Inside the front door.

Post-imprinter door
(Back door)
Used for attaching the imprinter unit and ink cartridge.
An imprinter unit installed here is called a post-imprinter.

Connectors
Used to connect the scanner unit to the host computer.

AC inlet

Power cord

Fan exhaust vent

Exit document guide
Use this when required.

Power indicator
When the power is turned on, the green indicator lights.
When an error occurs, the indicator will change to red, and light steadily or flash.

Power switch
| : on position
O : off position

Display panel
When performing each setting, used to display the scanning conditions, etc.

Front door

Pre-imprinter door
(Top door)
Used for attaching the imprinter unit and ink cartridge.
An imprinter unit installed here is called a pre-imprinter.

ADF/manual feed selector
To prevent double feeding, adjust the selector to feed the scanning document properly.
(Refer to page 28.)

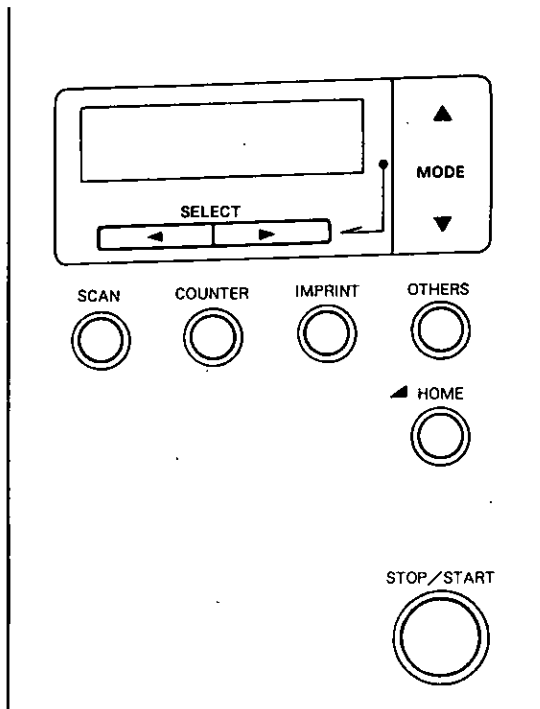
Paper path selector
Used to change the scanning document's path direction (front side/back side).
(Refer to page 28.)







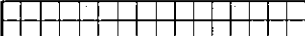
Display Panel Instructions

The required settings must be selected prior to scanning.
Information and conditions are shown on the LCD (Liquid Crystal Display).







■ Display panel and keys



-  : Press to enter the scanning setting menu.
-  : Press to enter the counter setting menu.
-  : Press to enter the imprinter setting menu.
-  : Press to enter another setting menu.
-  : Press to exit from the setting section and return to the ready status.
Also, this function can change the display language.
-  : Used to start or stop scanning a document.
- LCD**  :

Up to 32 characters can be displayed during scanning or setting.

-  : Press to advance to the next mode in the selected menu.
-  : Press to return to the previous mode in the selected menu.
-  : Press to advance to the next value in the selected mode.
-  : Press to return to the previous value in the selected mode.

Display Panel Instructions

■ Setting the scanner

The following parameters can be customized using the scanner's various setting modes. If the application software provides these features, it will be supported by the scanner.

Scan menu

Item	Contents
Front side brightness	Selection for density when scanning the front side of a document.
Front side image emphasis	Selection for emphasis when scanning the front side of a document.
Front side contrast	Selection for contrast when scanning the front side of a document.
Front side halftone	Selection for gradation when scanning the front side of a document.
Back side brightness	Selection for density when scanning the back side of a document.
Back side image emphasis	Selection for emphasis when scanning the back side of a document.
Back side contrast	Selection for contrast when scanning the back side of a document.
Back side halftone	Selection for gradation when scanning the back side of a document.
Noise reduction	Selection for noise reduction when scanning a document.
Double feed detection	Selection to choose to detect double feeding function.
Feed speed	Selection for feed speed when a document is being scanned.
Black line removal	Selection to choose to remove the black lines which appear at the top and bottom of the image after scanning the document.
Scanning mode	Selects whether documents are scanned at actual size or reduced (Fit to Page) size.
Scanning settings (Select memory)	Selects the memory where the conditions are saved into.
Save scanning settings (Execution)	Saves the scanning conditions into the memory. (2 memory settings)
Load scanning setting	Loads the memory where the scanning conditions have already been saved. If "Default" is selected, all of the scanning conditions will return to the default values.

Counter menu

Item	Contents
Select the counter displayed on the LCD	Selection to choose to display the cleared counter (scan counter) after scanning one time or to display the user set counter (user counter) on the LCD.
Setting the user counter	Selection for default number before scanning.
Setting the user counter extender	Selection for an increase in the default number.
Clear the user counter	Clears the counter which was set by the user.

Imprinter menu

Depending on the setting of the "Counter setting menu", the page number of the scanned document will be printed. The imprinter option (KV-SS010) is required. If a host computer is connected, there may be settings required on the host computer as well.

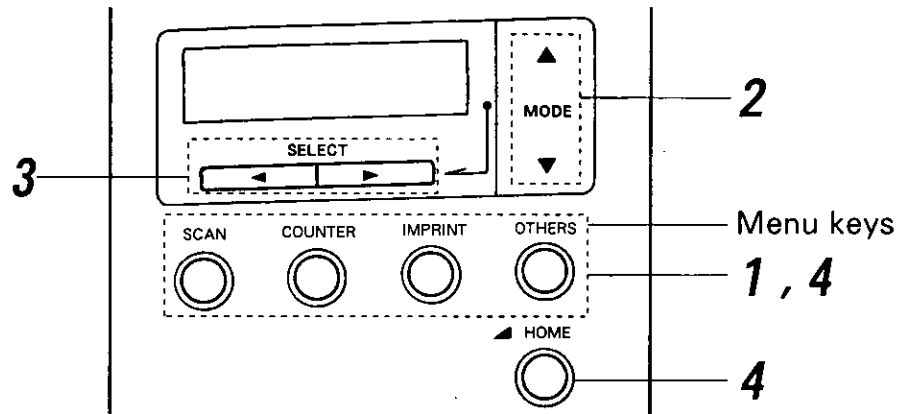
Item	Contents
Setting the pre-imprinter data	Allows for the selection of the printing content using an imprinter. The imprinter will print on the printing (front) side of the document scanned.
Setting the pre-imprinter position	Allows for the selection of the printing position using a pre-imprinter.
Setting the post-imprinter data	Allows for the selection of the printing content using an imprinter. The imprinter will print on the reverse side of the document scanned.
Setting the post-imprinter position	Allows for the selection of the printing position using a post-imprinter.

Another menu

Item	Contents
Checking the version	Displays the firmware version of the mechanical control, pre-imprinter or post-imprinter. If an optional imprinter is not installed, the imprinter version will not be displayed.
Setting the buzzer	Selects whether the buzzer is turned on or off. If selection is in the "ON" position: When pressing a key, one short beep will be heard. When there is an error, 5 short beeps will be heard. When scanning is completed correctly, one long beep will be heard.
Setting the lamp	Selects green or red color dropout.
Setting the SCSI ID	Sets the SCSI ID number.
Setting the terminator	Sets "Enable" or "Disable".
Checking the roller cleaning warning	The alarm tells you it is time to check the roller. If it is near 100%, clean the roller. See "Cleaning the Unit" on page 30.
Clearing the roller cleaning warning	Clear the "Clean Roller Warning ○○%" display.
Checking the roller modules replacement warning	The alarm tells you the roller needs to be changed. If it is near 100%, replace the paper feed roller module and retard roller module. See "Replacing Consumable" on page 35.
Clearing the roller modules replacement warning	Clear the "Replace Roll. Warning ○○%" display.
Setting the product ID	Selects the product ID. The product ID setting depends on the host computer scanner application you are using.
Setting the double feed detector sensitivity	Selects the sensitivity of the Double Feed Detector.

Display Panel Instructions

● Operation



1 Press the menu key until the desired menu is displayed.

- The **SCAN**, **COUNTER**, **IMPRINT** and **OTHERS** keys are used as a menu key.
- When pressing the **SCAN** key, the display will appear as shown at the right.

0	1	.	F	.	B	r	i	g	h	t	n	e	s	s	
D	-	-	-	-	+	-	-	-	-	L		H	o	s	t

0	1	.	H	e	l	l	i	g	k	.	V	o	r	n	
D	-	-	-	-	+	-	-	-	-	H		H	o	s	t

2 Use the ▲ key or the ▼ key to select the desired item.

- The display at the right is an example of a setting for the scanning setting mode.

0	7	.	B	.	C	o	n	t	r	a	s	t			
L	-	-	-	-	+	-	-	-	-	H		H	o	s	t

0	7	.	K	o	n	t	r	.		h	i	n	t	.	
N	-	-	-	-	+	-	-	-	-	H		H	o	s	t

3 Use the ► key or the ◀ key to select the desired content.

- The display on the right is an example of a setting for the "B. Contrast".

0	7	.	B	.	C	o	n	t	r	a	s	t		
L	-	-	*	-	+	-	-	-	-	H			L	2

0	7	.	K	o	n	t	r	.		h	i	n	t	.	
N	-	-	*	-	+	-	-	-	-	H			N	2	

4 Press the HOME key to return to the "Ready" display or another menu key to go to another menu.

When the HOME key is pressed :

R	e	a	d	y											

B	e	r	e	i	t										

When the COUNTER key is pressed for another menu key :

0	1	.	D	i	s	p	.	C	o	u	n	t	e	r		
													S	c	a	n

0	1	.	Z	a	e	h	l	e	r		a	n	z	.		
													S	c	a	n

- ※ In steps 2 or 3, you can change to the desired menu by pressing the desired menu key.
- ※ See pages 15 to 23 for details.
- ※ For changing the display language, see page 24.
- ※ Upper display of each step is in English and lower one is in German.

● **Actual settings**
Scan setting menu (by pressing the SCAN key)

Number, mode and default display ● Pressing the ▲ key will change to the next mode ● Pressing the ▼ key will change to the previous mode	Contents ● Pressing the ► key or the ◀ key will change to another Value																																																										
01 Front side brightness <table border="1" style="width: 100%; border-collapse: collapse; text-align: center;"> <tr><td>0</td><td>1</td><td>F</td><td>B</td><td>r</td><td>i</td><td>g</td><td>h</td><td>t</td><td>n</td><td>e</td><td>s</td><td>s</td><td></td></tr> <tr><td>D</td><td>-</td><td>-</td><td>-</td><td>-</td><td>+</td><td>-</td><td>-</td><td>-</td><td>-</td><td>L</td><td>H</td><td>o</td><td>s</td><td>t</td></tr> </table> <table border="1" style="width: 100%; border-collapse: collapse; text-align: center;"> <tr><td>0</td><td>1</td><td>H</td><td>e</td><td>l</td><td>l</td><td>i</td><td>g</td><td>k</td><td>v</td><td>o</td><td>r</td><td>n</td><td></td></tr> <tr><td>D</td><td>-</td><td>-</td><td>-</td><td>-</td><td>+</td><td>-</td><td>-</td><td>-</td><td>-</td><td>H</td><td>H</td><td>o</td><td>s</td><td>t</td></tr> </table>	0	1	F	B	r	i	g	h	t	n	e	s	s		D	-	-	-	-	+	-	-	-	-	L	H	o	s	t	0	1	H	e	l	l	i	g	k	v	o	r	n		D	-	-	-	-	+	-	-	-	-	H	H	o	s	t	<div style="text-align: center;"> D4 ↔ D3 ↔ D2 ↔ D1 ↔ Norm ↔ L1 ↔ L2 ↔ L3 ↔ L4 ↑ Host </div> <hr/> <div style="text-align: center;"> D4 ↔ D3 ↔ D2 ↔ D1 ↔ Norm ↔ H1 ↔ H2 ↔ H3 ↔ H4 ↑ Host </div> <p>● When "Host" is displayed, pressing the ► key or the ◀ key will change the display to "Norm" ● "D" means dark "L" means light</p>
0	1	F	B	r	i	g	h	t	n	e	s	s																																															
D	-	-	-	-	+	-	-	-	-	L	H	o	s	t																																													
0	1	H	e	l	l	i	g	k	v	o	r	n																																															
D	-	-	-	-	+	-	-	-	-	H	H	o	s	t																																													
02 Front side image emphasis <table border="1" style="width: 100%; border-collapse: collapse; text-align: center;"> <tr><td>0</td><td>2</td><td>F</td><td>E</td><td>m</td><td>p</td><td>h</td><td>a</td><td>s</td><td>i</td><td>s</td><td></td><td></td></tr> <tr><td></td><td></td><td>-</td><td>-</td><td>-</td><td>+</td><td>-</td><td></td><td></td><td></td><td></td><td>H</td><td>o</td><td>s</td><td>t</td></tr> </table> <table border="1" style="width: 100%; border-collapse: collapse; text-align: center;"> <tr><td>0</td><td>2</td><td>H</td><td>e</td><td>r</td><td>v</td><td>o</td><td>r</td><td>h</td><td>v</td><td>o</td><td>r</td><td>n</td><td></td></tr> <tr><td></td><td></td><td>-</td><td>-</td><td>-</td><td>+</td><td>-</td><td></td><td></td><td></td><td></td><td>H</td><td>o</td><td>s</td><td>t</td></tr> </table>	0	2	F	E	m	p	h	a	s	i	s					-	-	-	+	-					H	o	s	t	0	2	H	e	r	v	o	r	h	v	o	r	n				-	-	-	+	-					H	o	s	t	<div style="text-align: center;"> Smooth ↔ None ↔ Low ↔ Medium ↔ High ↑ Host </div> <hr/> <div style="text-align: center;"> Gleichm ↔ Keine ↔ Niedrig ↔ Mittel ↔ Hoch ↑ Host </div> <p>● When "Host" is displayed, pressing the ► key or the ◀ key will change the display to "Medium"</p>	
0	2	F	E	m	p	h	a	s	i	s																																																	
		-	-	-	+	-					H	o	s	t																																													
0	2	H	e	r	v	o	r	h	v	o	r	n																																															
		-	-	-	+	-					H	o	s	t																																													
03 Front side contrast <table border="1" style="width: 100%; border-collapse: collapse; text-align: center;"> <tr><td>0</td><td>3</td><td>F</td><td>C</td><td>o</td><td>n</td><td>t</td><td>r</td><td>a</td><td>s</td><td>t</td><td></td><td></td></tr> <tr><td>L</td><td>-</td><td>-</td><td>-</td><td>-</td><td>+</td><td>-</td><td>-</td><td>-</td><td>-</td><td>H</td><td>H</td><td>o</td><td>s</td><td>t</td></tr> </table> <table border="1" style="width: 100%; border-collapse: collapse; text-align: center;"> <tr><td>0</td><td>3</td><td>K</td><td>o</td><td>n</td><td>t</td><td>r</td><td>v</td><td>o</td><td>r</td><td>n</td><td></td><td></td></tr> <tr><td>N</td><td>-</td><td>-</td><td>-</td><td>-</td><td>+</td><td>-</td><td>-</td><td>-</td><td>-</td><td>H</td><td>H</td><td>o</td><td>s</td><td>t</td></tr> </table>	0	3	F	C	o	n	t	r	a	s	t			L	-	-	-	-	+	-	-	-	-	H	H	o	s	t	0	3	K	o	n	t	r	v	o	r	n			N	-	-	-	-	+	-	-	-	-	H	H	o	s	t	<div style="text-align: center;"> L4 ↔ L3 ↔ L2 ↔ L1 ↔ Norm ↔ H1 ↔ H2 ↔ H3 ↔ H4 ↑ Host </div> <hr/> <div style="text-align: center;"> N4 ↔ N3 ↔ N2 ↔ N1 ↔ Norm ↔ H1 ↔ H2 ↔ H3 ↔ H4 ↑ Host </div> <p>● When "Host" is displayed, pressing the ► key or the ◀ key will change the display to "Norm" ● "H" means high "L" means low</p>		
0	3	F	C	o	n	t	r	a	s	t																																																	
L	-	-	-	-	+	-	-	-	-	H	H	o	s	t																																													
0	3	K	o	n	t	r	v	o	r	n																																																	
N	-	-	-	-	+	-	-	-	-	H	H	o	s	t																																													

- For changing the display language, see page 24
- Upper display and chart in each cell is in English and lower one is in German

Display Panel Instructions

<p>04 Front side halftone</p> <table border="1" data-bbox="175 344 663 407"> <tr><td>0</td><td>4</td><td>.</td><td>F</td><td>.</td><td>H</td><td>a</td><td>l</td><td>f</td><td>t</td><td>o</td><td>n</td><td>e</td><td></td><td></td></tr> <tr><td></td><td></td><td></td><td></td><td></td><td></td><td></td><td></td><td></td><td></td><td></td><td></td><td></td><td>H</td><td>o</td><td>s</td><td>t</td></tr> </table> <table border="1" data-bbox="175 449 663 512"> <tr><td>0</td><td>4</td><td>.</td><td>H</td><td>a</td><td>l</td><td>b</td><td>t</td><td>o</td><td>n</td><td></td><td>v</td><td>o</td><td>r</td><td>n</td><td></td><td></td></tr> <tr><td></td><td></td><td></td><td></td><td></td><td></td><td></td><td></td><td></td><td></td><td></td><td></td><td></td><td></td><td></td><td>H</td><td>o</td><td>s</td><td>t</td></tr> </table>	0	4	.	F	.	H	a	l	f	t	o	n	e																H	o	s	t	0	4	.	H	a	l	b	t	o	n		v	o	r	n																		H	o	s	t	<p>→ Host ↔ Binary ↔ Bayer dither 64 ↔ Bayer dither 16 ←</p> <p>→ Halftone dot 32 ↔ Halftone dot 64 ↔ Error diffusion ←</p> <p>→ Host ↔ Binaer ↔ Bayer Dither 64 ↔ Bayer Dither 16 ←</p> <p>→ Halbton Punkt 32 ↔ Halbton Punkt 64 ←</p> <p>→ Fehlerdiffusion ←</p>							
0	4	.	F	.	H	a	l	f	t	o	n	e																																																																
													H	o	s	t																																																												
0	4	.	H	a	l	b	t	o	n		v	o	r	n																																																														
															H	o	s	t																																																										
<p>05 Back side brightness</p> <table border="1" data-bbox="175 701 663 764"> <tr><td>0</td><td>5</td><td>.</td><td>B</td><td>.</td><td>B</td><td>r</td><td>i</td><td>g</td><td>h</td><td>t</td><td>n</td><td>e</td><td>s</td><td>s</td><td></td><td></td></tr> <tr><td>D</td><td>-</td><td>-</td><td>-</td><td>-</td><td>+</td><td>-</td><td>-</td><td>-</td><td>-</td><td>-</td><td>-</td><td>-</td><td>-</td><td>-</td><td>L</td><td>H</td><td>o</td><td>s</td><td>t</td></tr> </table> <table border="1" data-bbox="175 806 663 869"> <tr><td>0</td><td>5</td><td>.</td><td>H</td><td>e</td><td>l</td><td>l</td><td>i</td><td>g</td><td>k</td><td>.</td><td>h</td><td>i</td><td>n</td><td>t</td><td>.</td><td></td><td></td></tr> <tr><td>D</td><td>-</td><td>-</td><td>-</td><td>-</td><td>+</td><td>-</td><td>-</td><td>-</td><td>-</td><td>-</td><td>-</td><td>-</td><td>-</td><td>-</td><td>H</td><td>H</td><td>o</td><td>s</td><td>t</td></tr> </table>	0	5	.	B	.	B	r	i	g	h	t	n	e	s	s			D	-	-	-	-	+	-	-	-	-	-	-	-	-	-	L	H	o	s	t	0	5	.	H	e	l	l	i	g	k	.	h	i	n	t	.			D	-	-	-	-	+	-	-	-	-	-	-	-	-	-	H	H	o	s	t	<p>D4 ↔ D3 ↔ D2 ↔ D1 ↔ Norm ↔ L1 ↔ L2 ↔ L3 ↔ L4</p> <p>↑</p> <p>→ Host ←</p> <p>D4 ↔ D3 ↔ D2 ↔ D1 ↔ Norm ↔ H1 ↔ H2 ↔ H3 ↔ H4</p> <p>↑</p> <p>→ Host ←</p> <ul style="list-style-type: none"> ● When "Host" is displayed, pressing the ► key or the ◀ key will change the display to "Norm". ● "D" means dark. "L" means light.
0	5	.	B	.	B	r	i	g	h	t	n	e	s	s																																																														
D	-	-	-	-	+	-	-	-	-	-	-	-	-	-	L	H	o	s	t																																																									
0	5	.	H	e	l	l	i	g	k	.	h	i	n	t	.																																																													
D	-	-	-	-	+	-	-	-	-	-	-	-	-	-	H	H	o	s	t																																																									
<p>06 Back side image emphasis</p> <table border="1" data-bbox="175 1108 663 1171"> <tr><td>0</td><td>6</td><td>.</td><td>B</td><td>.</td><td>E</td><td>m</td><td>p</td><td>h</td><td>a</td><td>s</td><td>i</td><td>s</td><td></td><td></td></tr> <tr><td></td><td></td><td></td><td>-</td><td>-</td><td>-</td><td>+</td><td>-</td><td>-</td><td>-</td><td>-</td><td>-</td><td>-</td><td>-</td><td>-</td><td>H</td><td>o</td><td>s</td><td>t</td></tr> </table> <table border="1" data-bbox="175 1213 663 1276"> <tr><td>0</td><td>6</td><td>.</td><td>H</td><td>e</td><td>r</td><td>v</td><td>o</td><td>r</td><td>h</td><td>.</td><td>h</td><td>i</td><td>n</td><td>t</td><td>.</td><td></td><td></td></tr> <tr><td></td><td></td><td></td><td>-</td><td>-</td><td>-</td><td>+</td><td>-</td><td>-</td><td>-</td><td>-</td><td>-</td><td>-</td><td>-</td><td>-</td><td>H</td><td>H</td><td>o</td><td>s</td><td>t</td></tr> </table>	0	6	.	B	.	E	m	p	h	a	s	i	s						-	-	-	+	-	-	-	-	-	-	-	-	H	o	s	t	0	6	.	H	e	r	v	o	r	h	.	h	i	n	t	.						-	-	-	+	-	-	-	-	-	-	-	-	H	H	o	s	t	<p>Smooth ↔ None ↔ Low ↔ Medium ↔ High</p> <p>↑</p> <p>→ Host ←</p> <p>Gleichm ↔ Keine ↔ Niedrig ↔ Mittel ↔ Hoch</p> <p>↑</p> <p>→ Host ←</p> <ul style="list-style-type: none"> ● When "Host" is displayed, pressing the ► key or the ◀ key will change the display to "Medium". 			
0	6	.	B	.	E	m	p	h	a	s	i	s																																																																
			-	-	-	+	-	-	-	-	-	-	-	-	H	o	s	t																																																										
0	6	.	H	e	r	v	o	r	h	.	h	i	n	t	.																																																													
			-	-	-	+	-	-	-	-	-	-	-	-	H	H	o	s	t																																																									
<p>07 Back side contrast</p> <table border="1" data-bbox="175 1478 663 1541"> <tr><td>0</td><td>7</td><td>.</td><td>B</td><td>.</td><td>C</td><td>o</td><td>n</td><td>t</td><td>r</td><td>a</td><td>s</td><td>t</td><td></td><td></td></tr> <tr><td>L</td><td>-</td><td>-</td><td>-</td><td>-</td><td>+</td><td>-</td><td>-</td><td>-</td><td>-</td><td>-</td><td>-</td><td>-</td><td>-</td><td>-</td><td>H</td><td>H</td><td>o</td><td>s</td><td>t</td></tr> </table> <table border="1" data-bbox="175 1583 663 1646"> <tr><td>0</td><td>7</td><td>.</td><td>K</td><td>o</td><td>n</td><td>t</td><td>r</td><td>.</td><td></td><td>h</td><td>i</td><td>n</td><td>t</td><td>.</td><td></td><td></td></tr> <tr><td>N</td><td>-</td><td>-</td><td>-</td><td>-</td><td>+</td><td>-</td><td>-</td><td>-</td><td>-</td><td>-</td><td>-</td><td>-</td><td>-</td><td>-</td><td>H</td><td>H</td><td>o</td><td>s</td><td>t</td></tr> </table>	0	7	.	B	.	C	o	n	t	r	a	s	t			L	-	-	-	-	+	-	-	-	-	-	-	-	-	-	H	H	o	s	t	0	7	.	K	o	n	t	r	.		h	i	n	t	.			N	-	-	-	-	+	-	-	-	-	-	-	-	-	-	H	H	o	s	t	<p>L4 ↔ L3 ↔ L2 ↔ L1 ↔ Norm ↔ H1 ↔ H2 ↔ H3 ↔ H4</p> <p>↑</p> <p>→ Host ←</p> <p>N4 ↔ N3 ↔ N2 ↔ N1 ↔ Norm ↔ H1 ↔ H2 ↔ H3 ↔ H4</p> <p>↑</p> <p>→ Host ←</p> <ul style="list-style-type: none"> ● When "Host" is displayed, pressing the ► key or the ◀ key will change the display to "Norm". ● "H" means high. "L" means low. 			
0	7	.	B	.	C	o	n	t	r	a	s	t																																																																
L	-	-	-	-	+	-	-	-	-	-	-	-	-	-	H	H	o	s	t																																																									
0	7	.	K	o	n	t	r	.		h	i	n	t	.																																																														
N	-	-	-	-	+	-	-	-	-	-	-	-	-	-	H	H	o	s	t																																																									

<p>08 Back side halftone</p> <table border="1" data-bbox="181 331 665 394"> <tr><td>0</td><td>8</td><td>.</td><td>B</td><td>.</td><td>H</td><td>a</td><td>l</td><td>f</td><td>t</td><td>o</td><td>n</td><td>e</td><td></td><td></td></tr> <tr><td></td><td></td><td></td><td></td><td></td><td></td><td></td><td></td><td></td><td></td><td></td><td></td><td></td><td>H</td><td>o</td><td>s</td><td>t</td></tr> </table> <table border="1" data-bbox="181 430 665 493"> <tr><td>0</td><td>8</td><td>.</td><td>H</td><td>a</td><td>l</td><td>b</td><td>t</td><td>o</td><td>n</td><td></td><td>h</td><td>i</td><td>n</td><td>t</td><td>.</td></tr> <tr><td></td><td></td><td></td><td></td><td></td><td></td><td></td><td></td><td></td><td></td><td></td><td></td><td></td><td>H</td><td>o</td><td>s</td><td>t</td></tr> </table>	0	8	.	B	.	H	a	l	f	t	o	n	e																H	o	s	t	0	8	.	H	a	l	b	t	o	n		h	i	n	t	.														H	o	s	t	<p>→ Host ↔ Binary ↔ Bayer dither 64 ↔ Bayer dither 16 ←</p> <p>↳ Halftone dot 32 ↔ Halftone dot 64 ↔ Error diffusion ←</p> <p>→ Host ↔ Binaer ↔ Bayer Dither 64 ↔ Bayer Dither 16 ←</p> <p>↳ Halbton Punkt 32 ↔ Halbton Punkt 64 ←</p> <p>↳ Fehlerdiffusion ←</p>							
0	8	.	B	.	H	a	l	f	t	o	n	e																																																													
													H	o	s	t																																																									
0	8	.	H	a	l	b	t	o	n		h	i	n	t	.																																																										
													H	o	s	t																																																									
<p>09 Noise reduction</p> <table border="1" data-bbox="181 688 665 751"> <tr><td>0</td><td>9</td><td>.</td><td>N</td><td>o</td><td>i</td><td>s</td><td>e</td><td></td><td>R</td><td>e</td><td>d</td><td>u</td><td>c</td><td>t</td><td>.</td></tr> <tr><td></td><td></td><td></td><td>+</td><td>-</td><td>-</td><td>-</td><td>-</td><td>-</td><td></td><td></td><td></td><td></td><td></td><td>H</td><td>o</td><td>s</td><td>t</td></tr> </table> <table border="1" data-bbox="181 787 665 850"> <tr><td>0</td><td>9</td><td>.</td><td>S</td><td>t</td><td>ö</td><td>r</td><td>r</td><td>e</td><td>d</td><td></td><td></td><td></td><td></td><td></td><td></td></tr> <tr><td></td><td></td><td></td><td>+</td><td>-</td><td>-</td><td>-</td><td>-</td><td>-</td><td></td><td></td><td></td><td></td><td></td><td>H</td><td>o</td><td>s</td><td>t</td></tr> </table>	0	9	.	N	o	i	s	e		R	e	d	u	c	t	.				+	-	-	-	-	-						H	o	s	t	0	9	.	S	t	ö	r	r	e	d										+	-	-	-	-	-						H	o	s	t	<p>→ Host ↔ None ↔ 1×1 ↔ 2×2 ←</p> <p>↳ 3×3 ↔ 4×4 ↔ 5×5 ↔ 6×6 ←</p> <p>→ Host ↔ Ohne ↔ 1×1 ↔ 2×2 ←</p> <p>↳ 3×3 ↔ 4×4 ↔ 5×5 ↔ 6×6 ←</p>				
0	9	.	N	o	i	s	e		R	e	d	u	c	t	.																																																										
			+	-	-	-	-	-						H	o	s	t																																																								
0	9	.	S	t	ö	r	r	e	d																																																																
			+	-	-	-	-	-						H	o	s	t																																																								
<p>10 Double feed detection</p> <table border="1" data-bbox="181 968 665 1031"> <tr><td>1</td><td>0</td><td>.</td><td>D</td><td>o</td><td>u</td><td>b</td><td>l</td><td>e</td><td></td><td>F</td><td>e</td><td>e</td><td>d</td><td></td></tr> <tr><td></td><td></td><td></td><td></td><td></td><td></td><td></td><td></td><td></td><td></td><td></td><td></td><td></td><td></td><td>H</td><td>o</td><td>s</td><td>t</td></tr> </table> <table border="1" data-bbox="181 1050 665 1113"> <tr><td>1</td><td>0</td><td>.</td><td>D</td><td>o</td><td>p</td><td>p</td><td>e</td><td>l</td><td>e</td><td>i</td><td>n</td><td>z</td><td>u</td><td>g</td><td></td></tr> <tr><td></td><td></td><td></td><td></td><td></td><td></td><td></td><td></td><td></td><td></td><td></td><td></td><td></td><td></td><td>H</td><td>o</td><td>s</td><td>t</td></tr> </table>	1	0	.	D	o	u	b	l	e		F	e	e	d																H	o	s	t	1	0	.	D	o	p	p	e	l	e	i	n	z	u	g																H	o	s	t	<p>→ Host ↔ Not detect ↔ Detect ←</p> <p>→ Host ↔ Nicht erkennen ↔ Erkennen ←</p> <p>If set to "Detect", the scanner will sound a buzzer and the power indicator will flash red when double feeding is detected. Even if this buzzer is set to "OFF" in "Setting the buzzer" (see page 21), it will still ring.</p>					
1	0	.	D	o	u	b	l	e		F	e	e	d																																																												
														H	o	s	t																																																								
1	0	.	D	o	p	p	e	l	e	i	n	z	u	g																																																											
														H	o	s	t																																																								
<p>11 Feed speed</p> <table border="1" data-bbox="181 1281 665 1344"> <tr><td>1</td><td>1</td><td>.</td><td>F</td><td>e</td><td>e</td><td>d</td><td></td><td>S</td><td>p</td><td>e</td><td>e</td><td>d</td><td></td><td></td></tr> <tr><td></td><td></td><td></td><td></td><td></td><td></td><td></td><td></td><td></td><td></td><td></td><td></td><td></td><td></td><td>N</td><td>o</td><td>r</td><td>m</td><td>a</td><td>l</td></tr> </table> <table border="1" data-bbox="181 1362 665 1425"> <tr><td>1</td><td>1</td><td>.</td><td>G</td><td>e</td><td>s</td><td>c</td><td>h</td><td>w</td><td>.</td><td>E</td><td>i</td><td>n</td><td>z</td><td>u</td><td>g</td><td></td></tr> <tr><td></td><td></td><td></td><td></td><td></td><td></td><td></td><td></td><td></td><td></td><td></td><td></td><td></td><td></td><td>N</td><td>o</td><td>r</td><td>m</td><td>a</td><td>l</td></tr> </table>	1	1	.	F	e	e	d		S	p	e	e	d																	N	o	r	m	a	l	1	1	.	G	e	s	c	h	w	.	E	i	n	z	u	g																N	o	r	m	a	l	<p>→ Host ↔ Slow ↔ Normal ←</p> <p>→ Host ↔ Langsam ↔ Normal ←</p>
1	1	.	F	e	e	d		S	p	e	e	d																																																													
														N	o	r	m	a	l																																																						
1	1	.	G	e	s	c	h	w	.	E	i	n	z	u	g																																																										
														N	o	r	m	a	l																																																						
<p>12 Black line removal</p> <table border="1" data-bbox="181 1484 665 1547"> <tr><td>1</td><td>2</td><td>.</td><td>B</td><td>L</td><td>K</td><td></td><td>L</td><td>i</td><td>n</td><td>e</td><td></td><td></td><td></td><td></td></tr> <tr><td></td><td></td><td></td><td>R</td><td>e</td><td>m</td><td>o</td><td>v</td><td>e</td><td></td><td></td><td></td><td></td><td></td><td>H</td><td>o</td><td>s</td><td>t</td></tr> </table> <table border="1" data-bbox="181 1566 665 1629"> <tr><td>1</td><td>2</td><td>.</td><td>S</td><td>t</td><td>r</td><td>i</td><td>c</td><td>h</td><td>l</td><td>ö</td><td>s</td><td>c</td><td>h</td><td>e</td><td>n</td></tr> <tr><td></td><td></td><td></td><td>L</td><td>ö</td><td>s</td><td>c</td><td>h</td><td>e</td><td>n</td><td></td><td></td><td></td><td></td><td>H</td><td>o</td><td>s</td><td>t</td></tr> </table>	1	2	.	B	L	K		L	i	n	e								R	e	m	o	v	e						H	o	s	t	1	2	.	S	t	r	i	c	h	l	ö	s	c	h	e	n				L	ö	s	c	h	e	n					H	o	s	t	<p>→ Host ↔ Disable ↔ Enable ←</p> <p>→ Host ↔ Aus ↔ Ein ←</p>					
1	2	.	B	L	K		L	i	n	e																																																															
			R	e	m	o	v	e						H	o	s	t																																																								
1	2	.	S	t	r	i	c	h	l	ö	s	c	h	e	n																																																										
			L	ö	s	c	h	e	n					H	o	s	t																																																								
<p>13 Scanning mode</p> <table border="1" data-bbox="181 1707 665 1770"> <tr><td>1</td><td>3</td><td>.</td><td>S</td><td>c</td><td>a</td><td>n</td><td>n</td><td>i</td><td>n</td><td>g</td><td></td><td>M</td><td>o</td><td>d</td><td>e</td></tr> <tr><td></td><td></td><td></td><td></td><td></td><td></td><td></td><td></td><td></td><td></td><td></td><td></td><td></td><td></td><td>A</td><td>c</td><td>t</td><td>u</td><td>a</td><td>l</td></tr> </table> <table border="1" data-bbox="181 1806 665 1869"> <tr><td>1</td><td>3</td><td>.</td><td>S</td><td>c</td><td>a</td><td>n</td><td></td><td>M</td><td>o</td><td>d</td><td>u</td><td>s</td><td></td><td></td></tr> <tr><td></td><td></td><td></td><td></td><td></td><td></td><td></td><td></td><td></td><td></td><td></td><td></td><td></td><td></td><td>A</td><td>k</td><td>t</td><td>u</td><td>e</td><td>l</td></tr> </table>	1	3	.	S	c	a	n	n	i	n	g		M	o	d	e															A	c	t	u	a	l	1	3	.	S	c	a	n		M	o	d	u	s																	A	k	t	u	e	l	<p>→ Host ↔ Fit to Page ↔ Actual ←</p> <p>→ Host ↔ Seitenanpassung ↔ Aktuell ←</p> <p>Actual : Scanner scans at 100% actual page size. Some of the data on the edges of the page may be lost.</p> <p>Fit to Page : Scanner shrinks image to fit scanned page.</p>	
1	3	.	S	c	a	n	n	i	n	g		M	o	d	e																																																										
														A	c	t	u	a	l																																																						
1	3	.	S	c	a	n		M	o	d	u	s																																																													
														A	k	t	u	e	l																																																						

Display Panel Instructions

<p>14 Save scanning settings (Select memory)</p> <table border="1" data-bbox="186 348 674 415"> <tr><td>1</td><td>4</td><td>.</td><td>S</td><td>a</td><td>v</td><td>e</td><td>S</td><td>e</td><td>t</td><td>t</td><td>i</td><td>n</td><td>g</td></tr> <tr><td></td><td></td><td></td><td></td><td></td><td></td><td></td><td>M</td><td>e</td><td>m</td><td>o</td><td>r</td><td>y</td><td>1</td></tr> </table> <table border="1" data-bbox="186 436 674 504"> <tr><td>1</td><td>4</td><td>.</td><td>E</td><td>i</td><td>n</td><td>s</td><td>t</td><td>e</td><td>l</td><td>l</td><td>.</td><td>s</td><td>i</td><td>c</td><td>h</td></tr> <tr><td></td><td></td><td></td><td></td><td></td><td></td><td></td><td>S</td><td>p</td><td>e</td><td>i</td><td>c</td><td>h</td><td>e</td><td>r</td><td>1</td></tr> </table>	1	4	.	S	a	v	e	S	e	t	t	i	n	g								M	e	m	o	r	y	1	1	4	.	E	i	n	s	t	e	l	l	.	s	i	c	h								S	p	e	i	c	h	e	r	1	<p>→ Memory 1 ↔ Memory 2 ←</p> <p>→ Speicher 1 ↔ Speicher 2 ←</p>
1	4	.	S	a	v	e	S	e	t	t	i	n	g																																																
							M	e	m	o	r	y	1																																																
1	4	.	E	i	n	s	t	e	l	l	.	s	i	c	h																																														
							S	p	e	i	c	h	e	r	1																																														
<p>14 Save scanning settings (Execution)</p> <table border="1" data-bbox="186 646 674 714"> <tr><td>1</td><td>4</td><td>.</td><td>S</td><td>a</td><td>v</td><td>e</td><td>S</td><td>e</td><td>t</td><td>t</td><td>i</td><td>n</td><td>g</td></tr> <tr><td></td><td></td><td></td><td></td><td></td><td></td><td></td><td>E</td><td>x</td><td>e</td><td>c</td><td>=</td><td><</td><td>></td></tr> </table> <table border="1" data-bbox="186 735 674 802"> <tr><td>1</td><td>4</td><td>.</td><td>E</td><td>i</td><td>n</td><td>s</td><td>t</td><td>e</td><td>l</td><td>l</td><td>.</td><td>s</td><td>i</td><td>c</td><td>h</td></tr> <tr><td></td><td></td><td></td><td></td><td></td><td></td><td></td><td>A</td><td>u</td><td>s</td><td>f</td><td>.</td><td>=</td><td><</td><td>></td></tr> </table>	1	4	.	S	a	v	e	S	e	t	t	i	n	g								E	x	e	c	=	<	>	1	4	.	E	i	n	s	t	e	l	l	.	s	i	c	h								A	u	s	f	.	=	<	>	<p>When pressing the ► key and the ◀ key simultaneously, the scanning conditions set in 01 to 13 above will be saved in the memory selected in the "Save scanning settings (Select memory)".</p> <p>"Completed" will be displayed after saving.</p>	
1	4	.	S	a	v	e	S	e	t	t	i	n	g																																																
							E	x	e	c	=	<	>																																																
1	4	.	E	i	n	s	t	e	l	l	.	s	i	c	h																																														
							A	u	s	f	.	=	<	>																																															
<p>15 Load scanning setting</p> <table border="1" data-bbox="186 947 674 1014"> <tr><td>1</td><td>5</td><td>.</td><td>L</td><td>o</td><td>a</td><td>d</td><td>S</td><td>e</td><td>t</td><td>t</td><td>i</td><td>n</td><td>g</td></tr> <tr><td></td><td></td><td></td><td></td><td></td><td></td><td></td><td>D</td><td>e</td><td>f</td><td>a</td><td>u</td><td>l</td><td>t</td></tr> </table> <table border="1" data-bbox="186 1035 674 1102"> <tr><td>1</td><td>5</td><td>.</td><td>E</td><td>i</td><td>n</td><td>s</td><td>t</td><td>e</td><td>l</td><td>l</td><td>.</td><td>l</td><td>a</td><td>d</td><td>.</td></tr> <tr><td>V</td><td>o</td><td>r</td><td>e</td><td>i</td><td>n</td><td>s</td><td>t</td><td>e</td><td>l</td><td>l</td><td>u</td><td>n</td><td>g</td><td>e</td><td>n</td></tr> </table>	1	5	.	L	o	a	d	S	e	t	t	i	n	g								D	e	f	a	u	l	t	1	5	.	E	i	n	s	t	e	l	l	.	l	a	d	.	V	o	r	e	i	n	s	t	e	l	l	u	n	g	e	n	<p>→ Default ↔ Memory 1 ↔ Memory 2 ←</p> <p>→ Voreinstellungen ↔ Speicher 1 ↔ Speicher 2 ←</p> <ul style="list-style-type: none"> ● If you use the ► key or the ◀ key to select Memory 1 or Memory 2, the saved scanning items will become valid by the "Save scanning settings (Execution)". If other scanning items have been saved in another memory, during scanning you can change the scanning items easily. This setting will not be changed even if the power is turned off and on, and will remain valid. ● If "Default" is selected, all of the saved scanning settings will return to the default values. (See "01" to "13" of the left side display.)
1	5	.	L	o	a	d	S	e	t	t	i	n	g																																																
							D	e	f	a	u	l	t																																																
1	5	.	E	i	n	s	t	e	l	l	.	l	a	d	.																																														
V	o	r	e	i	n	s	t	e	l	l	u	n	g	e	n																																														

- Scanning settings 01-13 must be saved using setting "14 Save scanning settings (Execution)". Even if they are not saved, they will be applied. If the power is turned off, the next time the unit is used they will not be applied.

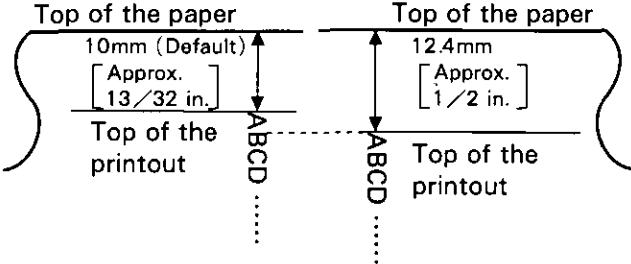
Counter setting menu (by pressing the COUNTER key)

Number, mode and default display <ul style="list-style-type: none"> ● Pressing the ▲ key will change to the next mode. ● Pressing the ▼ key will change to the previous mode. 	Contents <ul style="list-style-type: none"> ● Pressing the ► key or the ◀ key will change to another value. 																																																															
01 Select the counter displayed on the LCD <table border="1" style="width: 100%; text-align: center;"> <tr><td>0</td><td>1</td><td>.</td><td>D</td><td>i</td><td>s</td><td>p</td><td>.</td><td>C</td><td>o</td><td>u</td><td>n</td><td>t</td><td>e</td><td>r</td><td></td></tr> <tr><td></td><td></td><td></td><td></td><td></td><td></td><td></td><td></td><td></td><td></td><td></td><td></td><td>S</td><td>c</td><td>a</td><td>n</td></tr> </table> <table border="1" style="width: 100%; text-align: center;"> <tr><td>0</td><td>1</td><td>.</td><td>Z</td><td>a</td><td>e</td><td>h</td><td>l</td><td>e</td><td>r</td><td>a</td><td>n</td><td>z</td><td>.</td><td></td></tr> <tr><td></td><td></td><td></td><td></td><td></td><td></td><td></td><td></td><td></td><td></td><td></td><td></td><td>S</td><td>c</td><td>a</td><td>n</td></tr> </table>	0	1	.	D	i	s	p	.	C	o	u	n	t	e	r														S	c	a	n	0	1	.	Z	a	e	h	l	e	r	a	n	z	.														S	c	a	n	<div style="border: 1px solid black; padding: 2px; width: fit-content; margin-bottom: 10px;"> ► Scan ◀ User ◀ </div> <div style="border: 1px solid black; padding: 2px; width: fit-content;"> ► Scan ◀ Anwender ◀ </div> <p>Scan : After scanning one time, the scanner counter will be cleared. User : This counter is set to the default value. The user counter extender is also set by the user. They will be cleared when the power is turned OFF.</p>
0	1	.	D	i	s	p	.	C	o	u	n	t	e	r																																																		
												S	c	a	n																																																	
0	1	.	Z	a	e	h	l	e	r	a	n	z	.																																																			
												S	c	a	n																																																	
02 Setting the user counter <table border="1" style="width: 100%; text-align: center;"> <tr><td>0</td><td>2</td><td>.</td><td>U</td><td>s</td><td>e</td><td>r</td><td>.</td><td>C</td><td>o</td><td>u</td><td>n</td><td>t</td><td>e</td><td>r</td><td></td></tr> <tr><td></td><td></td><td></td><td></td><td></td><td></td><td></td><td></td><td></td><td></td><td></td><td></td><td></td><td></td><td></td><td>0</td></tr> </table> <table border="1" style="width: 100%; text-align: center;"> <tr><td>0</td><td>2</td><td>.</td><td>A</td><td>n</td><td>w</td><td>.</td><td>Z</td><td>a</td><td>e</td><td>h</td><td>l</td><td>e</td><td>r</td><td></td></tr> <tr><td></td><td></td><td></td><td></td><td></td><td></td><td></td><td></td><td></td><td></td><td></td><td></td><td></td><td></td><td></td><td>0</td></tr> </table>	0	2	.	U	s	e	r	.	C	o	u	n	t	e	r																	0	0	2	.	A	n	w	.	Z	a	e	h	l	e	r																	0	<p>Pressing the ► key once will increase the user counter by one. Pressing the ◀ key once will decrease the user counter by one. Pressing the ► key or the ◀ key continuously will change the user counter value by increments of 10.</p>
0	2	.	U	s	e	r	.	C	o	u	n	t	e	r																																																		
															0																																																	
0	2	.	A	n	w	.	Z	a	e	h	l	e	r																																																			
															0																																																	
02 Setting the user counter extender <table border="1" style="width: 100%; text-align: center;"> <tr><td>0</td><td>2</td><td>.</td><td>U</td><td>s</td><td>e</td><td>r</td><td>.</td><td>C</td><td>o</td><td>u</td><td>n</td><td>t</td><td>e</td><td>r</td><td></td></tr> <tr><td></td><td></td><td></td><td></td><td></td><td></td><td></td><td></td><td></td><td></td><td></td><td></td><td></td><td></td><td></td><td>+1</td></tr> </table> <table border="1" style="width: 100%; text-align: center;"> <tr><td>0</td><td>2</td><td>.</td><td>A</td><td>n</td><td>w</td><td>.</td><td>Z</td><td>a</td><td>e</td><td>h</td><td>l</td><td>e</td><td>r</td><td></td></tr> <tr><td></td><td></td><td></td><td></td><td></td><td></td><td></td><td></td><td></td><td></td><td></td><td></td><td></td><td></td><td></td><td>+1</td></tr> </table>	0	2	.	U	s	e	r	.	C	o	u	n	t	e	r																	+1	0	2	.	A	n	w	.	Z	a	e	h	l	e	r																	+1	<div style="border: 1px solid black; padding: 2px; width: fit-content; margin-bottom: 10px;"> ► +1 ◀ +2 ◀ +3 ◀ +7 ◀ +8 ◀ +9 ◀ </div> <p>Pressing the ► key once will increase the user counter extender by one. Pressing the ◀ key once will decrease the user counter extender by one.</p>
0	2	.	U	s	e	r	.	C	o	u	n	t	e	r																																																		
															+1																																																	
0	2	.	A	n	w	.	Z	a	e	h	l	e	r																																																			
															+1																																																	
02 Clear the user counter <table border="1" style="width: 100%; text-align: center;"> <tr><td>0</td><td>2</td><td>.</td><td>U</td><td>s</td><td>e</td><td>r</td><td>.</td><td>C</td><td>o</td><td>u</td><td>n</td><td>t</td><td>e</td><td>r</td><td></td></tr> <tr><td></td><td></td><td></td><td></td><td></td><td></td><td></td><td></td><td>C</td><td>l</td><td>e</td><td>a</td><td>r</td><td>=</td><td><</td><td>></td></tr> </table> <table border="1" style="width: 100%; text-align: center;"> <tr><td>0</td><td>2</td><td>.</td><td>A</td><td>n</td><td>w</td><td>.</td><td>Z</td><td>a</td><td>e</td><td>h</td><td>l</td><td>e</td><td>r</td><td></td></tr> <tr><td></td><td></td><td></td><td></td><td></td><td></td><td></td><td></td><td>L</td><td>ö</td><td>s</td><td>c</td><td>h</td><td>=</td><td><</td><td>></td></tr> </table>	0	2	.	U	s	e	r	.	C	o	u	n	t	e	r										C	l	e	a	r	=	<	>	0	2	.	A	n	w	.	Z	a	e	h	l	e	r										L	ö	s	c	h	=	<	>	<p>When pressing the ► key and the ◀ key simultaneously, the user counter will be cleared. Then "Completed" will be displayed.</p>
0	2	.	U	s	e	r	.	C	o	u	n	t	e	r																																																		
								C	l	e	a	r	=	<	>																																																	
0	2	.	A	n	w	.	Z	a	e	h	l	e	r																																																			
								L	ö	s	c	h	=	<	>																																																	

Display Panel Instructions

Imprinter setting menu (by pressing the IMPRINT key)

Both a pre-imprinter and post-imprinter can be installed at the same time. However, the operator may only use one imprinter at a time. If both of the imprinters are installed, you can set the following conditions.

<p>Number, item and default display</p> <ul style="list-style-type: none"> ● Pressing the ▲ key will change to the next mode. ● Pressing the ▼ key will change to the previous mode. 	<p>Contents</p> <ul style="list-style-type: none"> ● Pressing the ► key or the ◀ key will change to another value. 																																																																																																							
<p>01 Setting the pre-imprinter data</p> <table border="1" data-bbox="180 659 671 722"> <tr><td>0</td><td>1</td><td>.</td><td>P</td><td>r</td><td>e</td><td>I</td><td>m</td><td>p</td><td>r</td><td>i</td><td>n</td><td>t</td><td></td><td></td></tr> <tr><td></td><td></td><td></td><td></td><td></td><td></td><td></td><td></td><td></td><td></td><td></td><td></td><td>H</td><td>o</td><td>s</td><td>t</td></tr> </table> <table border="1" data-bbox="180 743 671 806"> <tr><td>0</td><td>1</td><td>.</td><td>D</td><td>r</td><td>u</td><td>c</td><td>k</td><td>e</td><td>r</td><td>v</td><td>o</td><td>r</td><td></td><td></td></tr> <tr><td></td><td></td><td></td><td></td><td></td><td></td><td></td><td></td><td></td><td></td><td></td><td></td><td>H</td><td>o</td><td>s</td><td>t</td></tr> </table> <ul style="list-style-type: none"> ● This setting can be done only when a pre-imprinter is installed. 	0	1	.	P	r	e	I	m	p	r	i	n	t															H	o	s	t	0	1	.	D	r	u	c	k	e	r	v	o	r															H	o	s	t	<p>→Host ↔ Count←</p> <p>→Host ↔ Zähler←</p> <p>Host : Printing will be done according to the host computer. Count : Printing will be done according to the counter in the "Select counter displayed on the LCD".</p>																																									
0	1	.	P	r	e	I	m	p	r	i	n	t																																																																																												
												H	o	s	t																																																																																									
0	1	.	D	r	u	c	k	e	r	v	o	r																																																																																												
												H	o	s	t																																																																																									
<p>02 Setting the pre-imprinter position</p> <table border="1" data-bbox="180 1005 671 1068"> <tr><td>0</td><td>2</td><td>.</td><td>P</td><td>r</td><td>e</td><td>P</td><td>o</td><td>s</td><td>i</td><td>t</td><td>i</td><td>o</td><td>n</td><td></td><td></td></tr> <tr><td><</td><td>0</td><td>C</td><td>h</td><td>a</td><td>r</td><td>></td><td></td><td></td><td></td><td></td><td></td><td>1</td><td>0</td><td>.</td><td>0</td><td>m</td><td>m</td></tr> </table> <table border="1" data-bbox="180 1094 671 1157"> <tr><td>0</td><td>2</td><td>.</td><td>D</td><td>r</td><td>u</td><td>c</td><td>k</td><td>p</td><td>o</td><td>s</td><td>.</td><td>v</td><td>o</td><td>r</td><td></td><td></td></tr> <tr><td><</td><td>0</td><td>Z</td><td>e</td><td>i</td><td>c</td><td>h</td><td>></td><td></td><td></td><td></td><td></td><td>1</td><td>0</td><td>.</td><td>0</td><td>m</td><td>m</td></tr> </table> <ul style="list-style-type: none"> ● This setting can be done only when a pre-imprinter is installed. 	0	2	.	P	r	e	P	o	s	i	t	i	o	n			<	0	C	h	a	r	>						1	0	.	0	m	m	0	2	.	D	r	u	c	k	p	o	s	.	v	o	r			<	0	Z	e	i	c	h	>					1	0	.	0	m	m	<p>By pressing the ► key or the ◀ key, you can specify the line where printing starts from the top of the document. If "0" character is set, printing starts from 10.0 mm. The millimeter value displayed is an approximation.</p> <table border="1" data-bbox="762 1079 1370 1157"> <tr><td>0</td><td>2</td><td>.</td><td>P</td><td>r</td><td>e</td><td>P</td><td>o</td><td>s</td><td>i</td><td>t</td><td>i</td><td>o</td><td>n</td><td></td><td></td></tr> <tr><td><</td><td>1</td><td>C</td><td>h</td><td>a</td><td>r</td><td>></td><td></td><td></td><td></td><td></td><td></td><td>1</td><td>2</td><td>.</td><td>4</td><td>m</td><td>m</td></tr> </table> <ul style="list-style-type: none"> ● In this example, printing starts at 12.4 mm (approx, 1/2 in.) from the top of the paper. The number 12.4 can be changed from 10.0 to 182.8 by pressing the ► key or the ◀ key. 	0	2	.	P	r	e	P	o	s	i	t	i	o	n			<	1	C	h	a	r	>						1	2	.	4	m	m
0	2	.	P	r	e	P	o	s	i	t	i	o	n																																																																																											
<	0	C	h	a	r	>						1	0	.	0	m	m																																																																																							
0	2	.	D	r	u	c	k	p	o	s	.	v	o	r																																																																																										
<	0	Z	e	i	c	h	>					1	0	.	0	m	m																																																																																							
0	2	.	P	r	e	P	o	s	i	t	i	o	n																																																																																											
<	1	C	h	a	r	>						1	2	.	4	m	m																																																																																							
<p>03 Setting the post-imprinter data</p> <table border="1" data-bbox="180 1751 671 1814"> <tr><td>0</td><td>3</td><td>.</td><td>P</td><td>o</td><td>s</td><td>t</td><td>I</td><td>m</td><td>p</td><td>r</td><td>i</td><td>n</td><td>t</td><td></td><td></td></tr> <tr><td></td><td></td><td></td><td></td><td></td><td></td><td></td><td></td><td></td><td></td><td></td><td></td><td>H</td><td>o</td><td>s</td><td>t</td></tr> </table> <table border="1" data-bbox="180 1835 671 1898"> <tr><td>0</td><td>3</td><td>.</td><td>D</td><td>r</td><td>u</td><td>c</td><td>k</td><td>e</td><td>r</td><td>n</td><td>a</td><td>c</td><td>h</td><td></td><td></td></tr> <tr><td></td><td></td><td></td><td></td><td></td><td></td><td></td><td></td><td></td><td></td><td></td><td></td><td>H</td><td>o</td><td>s</td><td>t</td></tr> </table> <ul style="list-style-type: none"> ● This setting can be done only when a post-imprinter is installed. 	0	3	.	P	o	s	t	I	m	p	r	i	n	t															H	o	s	t	0	3	.	D	r	u	c	k	e	r	n	a	c	h															H	o	s	t	<p>This is the same as the pre-imprinter. See "01. Setting the pre-imprinter data".</p> <ul style="list-style-type: none"> ● You cannot set the pre-imprinter and post-imprinter to "Count" at the same time. 																																							
0	3	.	P	o	s	t	I	m	p	r	i	n	t																																																																																											
												H	o	s	t																																																																																									
0	3	.	D	r	u	c	k	e	r	n	a	c	h																																																																																											
												H	o	s	t																																																																																									

<p>04 Setting the post-imprinter position</p> <table border="1"> <tr><td>0</td><td>4</td><td>P</td><td>o</td><td>s</td><td>t</td><td>P</td><td>o</td><td>s</td><td>i</td><td>t</td><td>i</td><td>o</td><td>n</td></tr> <tr><td><</td><td>0</td><td>C</td><td>h</td><td>a</td><td>r</td><td>></td><td></td><td></td><td>1</td><td>0</td><td></td><td>0</td><td>m</td><td>m</td></tr> </table> <table border="1"> <tr><td>0</td><td>4</td><td>D</td><td>r</td><td>u</td><td>c</td><td>k</td><td>p</td><td>o</td><td>s</td><td>n</td><td>a</td><td>c</td><td>h</td></tr> <tr><td><</td><td>0</td><td>Z</td><td>e</td><td>i</td><td>c</td><td>h</td><td>></td><td></td><td></td><td>1</td><td>0</td><td></td><td>0</td><td>m</td><td>m</td></tr> </table> <p>● This setting can be done only when a post-imprinter is installed</p>	0	4	P	o	s	t	P	o	s	i	t	i	o	n	<	0	C	h	a	r	>			1	0		0	m	m	0	4	D	r	u	c	k	p	o	s	n	a	c	h	<	0	Z	e	i	c	h	>			1	0		0	m	m	<p>This is the same as the pre-imprinter See "02 Setting the pre-imprinter position"</p>
0	4	P	o	s	t	P	o	s	i	t	i	o	n																																															
<	0	C	h	a	r	>			1	0		0	m	m																																														
0	4	D	r	u	c	k	p	o	s	n	a	c	h																																															
<	0	Z	e	i	c	h	>			1	0		0	m	m																																													

Another setting menu (by pressing the OTHERS key)

Number, mode and default display	Contents																																																																														
<ul style="list-style-type: none"> ● Pressing the ▲ key will change to the next mode ● Pressing the ▼ key will change to the previous mode 	<ul style="list-style-type: none"> ● Pressing the ► key or the ◀ key will change to another value 																																																																														
<p>01 Checking the version</p> <table border="1"> <tr><td>0</td><td>1</td><td>V</td><td>e</td><td>r</td><td>s</td><td>i</td><td>o</td><td>n</td><td></td><td></td><td></td><td></td><td></td><td></td></tr> <tr><td>M</td><td>X</td><td></td><td>X</td><td>X</td><td>F</td><td>X</td><td></td><td>X</td><td>X</td><td>B</td><td>X</td><td></td><td>X</td><td>X</td></tr> </table> <table border="1"> <tr><td>0</td><td>1</td><td>V</td><td>e</td><td>r</td><td>s</td><td>i</td><td>o</td><td>n</td><td></td><td></td><td></td><td></td><td></td><td></td></tr> <tr><td>M</td><td>X</td><td></td><td>X</td><td>X</td><td>F</td><td>X</td><td></td><td>X</td><td>X</td><td>B</td><td>X</td><td></td><td>X</td><td>X</td></tr> </table>	0	1	V	e	r	s	i	o	n							M	X		X	X	F	X		X	X	B	X		X	X	0	1	V	e	r	s	i	o	n							M	X		X	X	F	X		X	X	B	X		X	X	<p>M X X X Displays the mechanical control firmware version</p> <p>F X X X Displays the pre-imprinter firmware version If a pre-imprinter unit is not installed, the entry will remain blank</p> <p>B X X X Displays the post-imprinter firmware version If a post-imprinter unit is not installed, the entry will remain blank</p>																		
0	1	V	e	r	s	i	o	n																																																																							
M	X		X	X	F	X		X	X	B	X		X	X																																																																	
0	1	V	e	r	s	i	o	n																																																																							
M	X		X	X	F	X		X	X	B	X		X	X																																																																	
<p>02 Setting the buzzer</p> <table border="1"> <tr><td>0</td><td>2</td><td>B</td><td>u</td><td>z</td><td>z</td><td>e</td><td>r</td><td></td><td></td><td></td><td></td><td></td><td></td><td></td></tr> <tr><td></td><td></td><td></td><td></td><td></td><td></td><td></td><td></td><td></td><td></td><td></td><td></td><td></td><td>O</td><td>N</td></tr> </table> <table border="1"> <tr><td>0</td><td>2</td><td>S</td><td>u</td><td>m</td><td>m</td><td>e</td><td>r</td><td>s</td><td>i</td><td>g</td><td>n</td><td>a</td><td>l</td><td></td></tr> <tr><td></td><td></td><td></td><td></td><td></td><td></td><td></td><td></td><td></td><td></td><td></td><td></td><td></td><td>E</td><td>i</td><td>n</td></tr> </table>	0	2	B	u	z	z	e	r																					O	N	0	2	S	u	m	m	e	r	s	i	g	n	a	l															E	i	n	<p>→ ON ↔ OFF ←</p> <p>→ Ein ↔ Aus ←</p>																	
0	2	B	u	z	z	e	r																																																																								
													O	N																																																																	
0	2	S	u	m	m	e	r	s	i	g	n	a	l																																																																		
													E	i	n																																																																
<p>03 Setting the lamp</p> <table border="1"> <tr><td>0</td><td>3</td><td>L</td><td>a</td><td>m</td><td>p</td><td></td><td></td><td></td><td></td><td></td><td></td><td></td><td></td><td></td></tr> <tr><td></td><td></td><td></td><td></td><td></td><td></td><td></td><td></td><td></td><td></td><td></td><td></td><td>G</td><td>r</td><td>e</td><td>e</td><td>n</td></tr> </table> <table border="1"> <tr><td>0</td><td>3</td><td>L</td><td>a</td><td>m</td><td>p</td><td>e</td><td></td><td></td><td></td><td></td><td></td><td></td><td></td><td></td></tr> <tr><td></td><td></td><td></td><td></td><td></td><td></td><td></td><td></td><td></td><td></td><td></td><td></td><td>G</td><td>r</td><td>u</td><td>e</td><td>n</td></tr> </table>	0	3	L	a	m	p																						G	r	e	e	n	0	3	L	a	m	p	e																					G	r	u	e	n	<table border="1"> <tr><td>→</td><td>Host</td><td>↔</td><td>Red</td><td>↔</td><td>Green</td><td>←</td></tr> </table> <table border="1"> <tr><td>→</td><td>Host</td><td>↔</td><td>Rot</td><td>↔</td><td>Gruen</td><td>←</td></tr> </table> <p>The selected color of the character or illustration will not be scanned when scanning a document</p>	→	Host	↔	Red	↔	Green	←	→	Host	↔	Rot	↔	Gruen	←
0	3	L	a	m	p																																																																										
												G	r	e	e	n																																																															
0	3	L	a	m	p	e																																																																									
												G	r	u	e	n																																																															
→	Host	↔	Red	↔	Green	←																																																																									
→	Host	↔	Rot	↔	Gruen	←																																																																									

Display Panel Instructions

<p>04 Setting the SCSI ID</p> <table border="1" data-bbox="185 325 675 390"> <tr><td>0</td><td>4</td><td>.</td><td>S</td><td>C</td><td>S</td><td>I</td><td></td><td>I</td><td>D</td><td></td><td></td><td></td><td></td><td></td><td></td><td></td><td></td><td></td><td></td></tr> <tr><td></td><td></td><td></td><td></td><td></td><td></td><td></td><td></td><td></td><td></td><td></td><td></td><td></td><td></td><td>N</td><td>o</td><td>.</td><td>0</td><td></td><td></td></tr> </table> <table border="1" data-bbox="185 415 675 480"> <tr><td>0</td><td>4</td><td>.</td><td>S</td><td>C</td><td>S</td><td>I</td><td></td><td>I</td><td>D</td><td></td><td></td><td></td><td></td><td></td><td></td><td></td><td></td><td></td><td></td></tr> <tr><td></td><td></td><td></td><td></td><td></td><td></td><td></td><td></td><td></td><td></td><td></td><td></td><td></td><td></td><td>N</td><td>r</td><td>.</td><td>0</td><td></td><td></td></tr> </table>	0	4	.	S	C	S	I		I	D																									N	o	.	0			0	4	.	S	C	S	I		I	D																									N	r	.	0			<p>→0 ↔ 1 ↔ 2 ↔ 3 ↔ 4 ↔ 5 ↔ 6 ↔ 7←</p> <ul style="list-style-type: none"> ● Setting the SCSI ID will be activated after turning the power off and turning it on again.
0	4	.	S	C	S	I		I	D																																																																								
														N	o	.	0																																																																
0	4	.	S	C	S	I		I	D																																																																								
														N	r	.	0																																																																
<p>05 Setting the terminator</p> <table border="1" data-bbox="185 600 675 665"> <tr><td>0</td><td>5</td><td>.</td><td>T</td><td>e</td><td>r</td><td>m</td><td>i</td><td>n</td><td>a</td><td>t</td><td>o</td><td>r</td><td></td><td></td><td></td><td></td><td></td><td></td><td></td></tr> <tr><td></td><td></td><td></td><td></td><td></td><td></td><td></td><td></td><td></td><td></td><td></td><td></td><td></td><td>D</td><td>i</td><td>s</td><td>a</td><td>b</td><td>l</td><td>e</td></tr> </table> <table border="1" data-bbox="185 690 675 756"> <tr><td>0</td><td>5</td><td>.</td><td>T</td><td>e</td><td>r</td><td>m</td><td>i</td><td>n</td><td>a</td><td>t</td><td>o</td><td>r</td><td></td><td></td><td></td><td></td><td></td><td></td><td></td></tr> <tr><td></td><td></td><td></td><td></td><td></td><td></td><td></td><td></td><td></td><td></td><td></td><td></td><td></td><td></td><td></td><td></td><td></td><td>A</td><td>u</td><td>s</td></tr> </table>	0	5	.	T	e	r	m	i	n	a	t	o	r																					D	i	s	a	b	l	e	0	5	.	T	e	r	m	i	n	a	t	o	r																									A	u	s	<p>→Disable ↔ Enable←</p> <p>→Aus ↔ Ein←</p> <p>When the scanner is located to terminal position on SCSI bus, set to "Enable".</p> <ul style="list-style-type: none"> ● Setting the terminator will be activated after turning the power off and turning it on again.
0	5	.	T	e	r	m	i	n	a	t	o	r																																																																					
													D	i	s	a	b	l	e																																																														
0	5	.	T	e	r	m	i	n	a	t	o	r																																																																					
																	A	u	s																																																														
<p>06 Checking the roller cleaning warning</p> <table border="1" data-bbox="185 972 675 1037"> <tr><td>0</td><td>6</td><td>.</td><td>C</td><td>l</td><td>e</td><td>a</td><td>n</td><td></td><td>R</td><td>o</td><td>l</td><td>l</td><td>e</td><td>r</td><td></td><td></td><td></td><td></td><td></td></tr> <tr><td>W</td><td>a</td><td>r</td><td>n</td><td>i</td><td>n</td><td>g</td><td></td><td></td><td></td><td></td><td></td><td></td><td></td><td></td><td></td><td></td><td>0</td><td>%</td><td></td></tr> </table> <table border="1" data-bbox="185 1056 675 1121"> <tr><td>0</td><td>6</td><td>.</td><td>R</td><td>e</td><td>i</td><td>n</td><td>i</td><td>g</td><td>e</td><td></td><td>W</td><td>a</td><td>l</td><td>z</td><td>e</td><td></td><td></td><td></td><td></td></tr> <tr><td>A</td><td>c</td><td>h</td><td>t</td><td>u</td><td>n</td><td>g</td><td></td><td></td><td></td><td></td><td></td><td></td><td></td><td></td><td></td><td></td><td>0</td><td>%</td><td></td></tr> </table>	0	6	.	C	l	e	a	n		R	o	l	l	e	r						W	a	r	n	i	n	g											0	%		0	6	.	R	e	i	n	i	g	e		W	a	l	z	e					A	c	h	t	u	n	g											0	%		<p>0% : This is displayed when "Clean Roller Warning ○○%" displayed is cleared.</p> <p>100% : This is displayed when the roller needs to be cleaned.</p>
0	6	.	C	l	e	a	n		R	o	l	l	e	r																																																																			
W	a	r	n	i	n	g											0	%																																																															
0	6	.	R	e	i	n	i	g	e		W	a	l	z	e																																																																		
A	c	h	t	u	n	g											0	%																																																															
<p>06 Clearing the roller cleaning warning</p> <table border="1" data-bbox="185 1257 675 1323"> <tr><td>0</td><td>6</td><td>.</td><td>C</td><td>l</td><td>e</td><td>a</td><td>n</td><td></td><td>R</td><td>o</td><td>l</td><td>l</td><td>e</td><td>r</td><td></td><td></td><td></td><td></td><td></td></tr> <tr><td>W</td><td>a</td><td>r</td><td>n</td><td>i</td><td>n</td><td>g</td><td></td><td>C</td><td>l</td><td>e</td><td>a</td><td>r</td><td>=</td><td><</td><td>></td><td></td><td></td><td></td><td></td></tr> </table> <table border="1" data-bbox="185 1341 675 1407"> <tr><td>0</td><td>6</td><td>.</td><td>R</td><td>e</td><td>i</td><td>n</td><td>i</td><td>g</td><td>e</td><td></td><td>W</td><td>a</td><td>l</td><td>z</td><td>e</td><td></td><td></td><td></td><td></td></tr> <tr><td>H</td><td>i</td><td>n</td><td>w</td><td>e</td><td>i</td><td>s</td><td></td><td>L</td><td>ö</td><td>s</td><td>c</td><td>h</td><td>=</td><td><</td><td>></td><td></td><td></td><td></td><td></td></tr> </table>	0	6	.	C	l	e	a	n		R	o	l	l	e	r						W	a	r	n	i	n	g		C	l	e	a	r	=	<	>					0	6	.	R	e	i	n	i	g	e		W	a	l	z	e					H	i	n	w	e	i	s		L	ö	s	c	h	=	<	>					<p>When pressing the ► key and the ◀ key simultaneously, "Clean Roller Warning" will be cleared. Then "Completed" will be displayed.</p>
0	6	.	C	l	e	a	n		R	o	l	l	e	r																																																																			
W	a	r	n	i	n	g		C	l	e	a	r	=	<	>																																																																		
0	6	.	R	e	i	n	i	g	e		W	a	l	z	e																																																																		
H	i	n	w	e	i	s		L	ö	s	c	h	=	<	>																																																																		
<p>07 Checking the roller modules replacement warning</p> <table border="1" data-bbox="185 1547 675 1612"> <tr><td>0</td><td>7</td><td>.</td><td>R</td><td>e</td><td>p</td><td>l</td><td>a</td><td>c</td><td>e</td><td></td><td>R</td><td>o</td><td>l</td><td>l</td><td>.</td><td></td><td></td><td></td><td></td></tr> <tr><td>W</td><td>a</td><td>r</td><td>n</td><td>i</td><td>n</td><td>g</td><td></td><td></td><td></td><td></td><td></td><td></td><td></td><td></td><td></td><td></td><td>0</td><td>%</td><td></td></tr> </table> <table border="1" data-bbox="185 1631 675 1696"> <tr><td>0</td><td>7</td><td>.</td><td>T</td><td>a</td><td>u</td><td>s</td><td>c</td><td>h</td><td>e</td><td></td><td>W</td><td>a</td><td>l</td><td>z</td><td>e</td><td></td><td></td><td></td><td></td></tr> <tr><td>A</td><td>c</td><td>h</td><td>t</td><td>u</td><td>n</td><td>g</td><td></td><td></td><td></td><td></td><td></td><td></td><td></td><td></td><td></td><td></td><td>0</td><td>%</td><td></td></tr> </table>	0	7	.	R	e	p	l	a	c	e		R	o	l	l	.					W	a	r	n	i	n	g											0	%		0	7	.	T	a	u	s	c	h	e		W	a	l	z	e					A	c	h	t	u	n	g											0	%		<p>0% : This is displayed when "Replace Roll. Warning ○○%" displayed is cleared.</p> <p>100% : This is displayed when the roller modules need to be replaced.</p>
0	7	.	R	e	p	l	a	c	e		R	o	l	l	.																																																																		
W	a	r	n	i	n	g											0	%																																																															
0	7	.	T	a	u	s	c	h	e		W	a	l	z	e																																																																		
A	c	h	t	u	n	g											0	%																																																															
<p>07 Clearing the roller modules replacement warning</p> <table border="1" data-bbox="185 1833 675 1898"> <tr><td>0</td><td>7</td><td>.</td><td>R</td><td>e</td><td>p</td><td>l</td><td>a</td><td>c</td><td>e</td><td></td><td>R</td><td>o</td><td>l</td><td>l</td><td>.</td><td></td><td></td><td></td><td></td></tr> <tr><td>W</td><td>a</td><td>r</td><td>n</td><td>i</td><td>n</td><td>g</td><td></td><td>C</td><td>l</td><td>e</td><td>a</td><td>r</td><td>=</td><td><</td><td>></td><td></td><td></td><td></td><td></td></tr> </table> <table border="1" data-bbox="185 1917 675 1982"> <tr><td>0</td><td>7</td><td>.</td><td>T</td><td>a</td><td>u</td><td>s</td><td>c</td><td>h</td><td>e</td><td></td><td>W</td><td>a</td><td>l</td><td>z</td><td>e</td><td></td><td></td><td></td><td></td></tr> <tr><td>H</td><td>i</td><td>n</td><td>w</td><td>e</td><td>i</td><td>s</td><td></td><td>L</td><td>ö</td><td>s</td><td>c</td><td>h</td><td>=</td><td><</td><td>></td><td></td><td></td><td></td><td></td></tr> </table>	0	7	.	R	e	p	l	a	c	e		R	o	l	l	.					W	a	r	n	i	n	g		C	l	e	a	r	=	<	>					0	7	.	T	a	u	s	c	h	e		W	a	l	z	e					H	i	n	w	e	i	s		L	ö	s	c	h	=	<	>					<p>When pressing the ► key and the ◀ key simultaneously, "Replace Roll. Warning" will be cleared. Then "Completed" will be displayed.</p>
0	7	.	R	e	p	l	a	c	e		R	o	l	l	.																																																																		
W	a	r	n	i	n	g		C	l	e	a	r	=	<	>																																																																		
0	7	.	T	a	u	s	c	h	e		W	a	l	z	e																																																																		
H	i	n	w	e	i	s		L	ö	s	c	h	=	<	>																																																																		

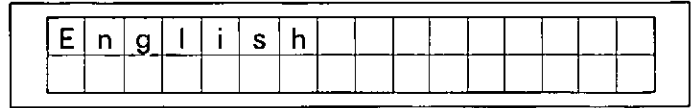
<p>08 Setting the product ID</p> <table border="1" style="width: 100%; border-collapse: collapse; margin-bottom: 10px;"> <tr><td>0</td><td>8</td><td>P</td><td>r</td><td>o</td><td>d</td><td>u</td><td>c</td><td>t</td><td>I</td><td>D</td><td></td><td></td></tr> <tr><td></td><td></td><td></td><td></td><td></td><td></td><td></td><td></td><td></td><td>K</td><td>V</td><td>-</td><td>S</td></tr> <tr><td></td><td></td><td></td><td></td><td></td><td></td><td></td><td></td><td></td><td>2</td><td>0</td><td>5</td><td>5</td></tr> </table> <table border="1" style="width: 100%; border-collapse: collapse;"> <tr><td>0</td><td>8</td><td>P</td><td>r</td><td>o</td><td>d</td><td>u</td><td>k</td><td>t</td><td>I</td><td>D</td><td></td><td></td></tr> <tr><td></td><td></td><td></td><td></td><td></td><td></td><td></td><td></td><td></td><td>K</td><td>V</td><td>-</td><td>S</td></tr> <tr><td></td><td></td><td></td><td></td><td></td><td></td><td></td><td></td><td></td><td>2</td><td>0</td><td>5</td><td>5</td></tr> </table>	0	8	P	r	o	d	u	c	t	I	D												K	V	-	S										2	0	5	5	0	8	P	r	o	d	u	k	t	I	D												K	V	-	S										2	0	5	5	<ul style="list-style-type: none"> ● KV-S2055L series <div style="margin-left: 20px;"> <table border="1" style="width: 100%; border-collapse: collapse;"> <tr><td>KV-S2055 ↔ KV-SS55EX ↔ KV-SS55 ↔ KV-SS25</td></tr> <tr><td> ↪ KV-SS50EX ↔ KV-SS50 ↔ KV-SS855</td></tr> </table> </div> ● KV-S2055W series <div style="margin-left: 20px;"> <table border="1" style="width: 100%; border-collapse: collapse;"> <tr><td>KV-S2055 ↔ KV-SS55EX ↔ KV-SS55</td></tr> <tr><td> ↪ KV-SS25 ↔ KV-SS65EXN ↔ KV-SS65N</td></tr> <tr><td> ↪ KV-SS50EX ↔ KV-SS50 ↔ KV-SS60EXN</td></tr> <tr><td> ↪ KV-SS60N ↔ KV-SS855</td></tr> </table> </div> 	KV-S2055 ↔ KV-SS55EX ↔ KV-SS55 ↔ KV-SS25	↪ KV-SS50EX ↔ KV-SS50 ↔ KV-SS855	KV-S2055 ↔ KV-SS55EX ↔ KV-SS55	↪ KV-SS25 ↔ KV-SS65EXN ↔ KV-SS65N	↪ KV-SS50EX ↔ KV-SS50 ↔ KV-SS60EXN	↪ KV-SS60N ↔ KV-SS855
0	8	P	r	o	d	u	c	t	I	D																																																																											
									K	V	-	S																																																																									
									2	0	5	5																																																																									
0	8	P	r	o	d	u	k	t	I	D																																																																											
									K	V	-	S																																																																									
									2	0	5	5																																																																									
KV-S2055 ↔ KV-SS55EX ↔ KV-SS55 ↔ KV-SS25																																																																																					
↪ KV-SS50EX ↔ KV-SS50 ↔ KV-SS855																																																																																					
KV-S2055 ↔ KV-SS55EX ↔ KV-SS55																																																																																					
↪ KV-SS25 ↔ KV-SS65EXN ↔ KV-SS65N																																																																																					
↪ KV-SS50EX ↔ KV-SS50 ↔ KV-SS60EXN																																																																																					
↪ KV-SS60N ↔ KV-SS855																																																																																					
<p>09 Setting the double feed detector sensitivity</p> <table border="1" style="width: 100%; border-collapse: collapse; margin-bottom: 10px;"> <tr><td>0</td><td>9</td><td>D</td><td>o</td><td>u</td><td>b</td><td>l</td><td>e</td><td>F</td><td>e</td><td>e</td><td></td><td></td></tr> <tr><td></td><td></td><td></td><td></td><td></td><td></td><td></td><td></td><td></td><td>N</td><td>o</td><td>r</td><td>m</td></tr> <tr><td></td><td></td><td></td><td></td><td></td><td></td><td></td><td></td><td></td><td>a</td><td></td><td></td><td></td></tr> </table> <table border="1" style="width: 100%; border-collapse: collapse;"> <tr><td>0</td><td>9</td><td>D</td><td>o</td><td>p</td><td>p</td><td>e</td><td>l</td><td>e</td><td>i</td><td>n</td><td>z</td><td>u</td></tr> <tr><td></td><td></td><td></td><td></td><td></td><td></td><td></td><td></td><td></td><td>N</td><td>o</td><td>r</td><td>m</td></tr> <tr><td></td><td></td><td></td><td></td><td></td><td></td><td></td><td></td><td></td><td>a</td><td></td><td></td><td></td></tr> </table>	0	9	D	o	u	b	l	e	F	e	e												N	o	r	m										a				0	9	D	o	p	p	e	l	e	i	n	z	u										N	o	r	m										a				<div style="margin-bottom: 10px;"> <table border="1" style="width: 100%; border-collapse: collapse;"> <tr><td>Host ↔ Low sensitivity ↔ Normal ↔ High sensitivity</td></tr> </table> </div> <div style="margin-bottom: 10px;"> <table border="1" style="width: 100%; border-collapse: collapse;"> <tr><td>Host ↔ Gefuhlos ↔ Normal ↔ Empfindlich</td></tr> </table> </div> <p>High sensitivity The double feed detector's sensitivity will be high. Set this when there is no error for double feeding.</p> <p>Low sensitivity The double feed detector's sensitivity will be low. Set this when there is an error for no double feeding.</p>	Host ↔ Low sensitivity ↔ Normal ↔ High sensitivity	Host ↔ Gefuhlos ↔ Normal ↔ Empfindlich				
0	9	D	o	u	b	l	e	F	e	e																																																																											
									N	o	r	m																																																																									
									a																																																																												
0	9	D	o	p	p	e	l	e	i	n	z	u																																																																									
									N	o	r	m																																																																									
									a																																																																												
Host ↔ Low sensitivity ↔ Normal ↔ High sensitivity																																																																																					
Host ↔ Gefuhlos ↔ Normal ↔ Empfindlich																																																																																					

- When scanning very important documents, confirm if the number of scanned pages displayed on the LCD matches the number of actual pages
- If thick, creased, or edited documents with correction fluid as well as documents with holes near the center, etc., are used, they may detect double feeding by mistake

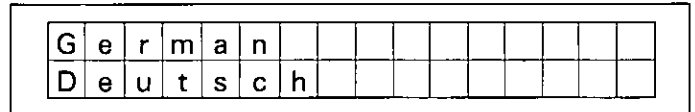
Display Panel Instructions

● Setting the language

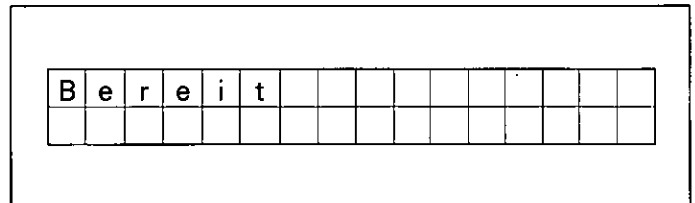
- 1** Turn the power on while pressing the HOME key.



- 2** Use the ▲ key or the ▼ key to select "English", "Japanese" or "German".



- 3** Press the HOME key.
- The display will change to the selected language, then the scanner will be ready.
 - This setting will remain until it is changed to another setting.



● Other display explanations

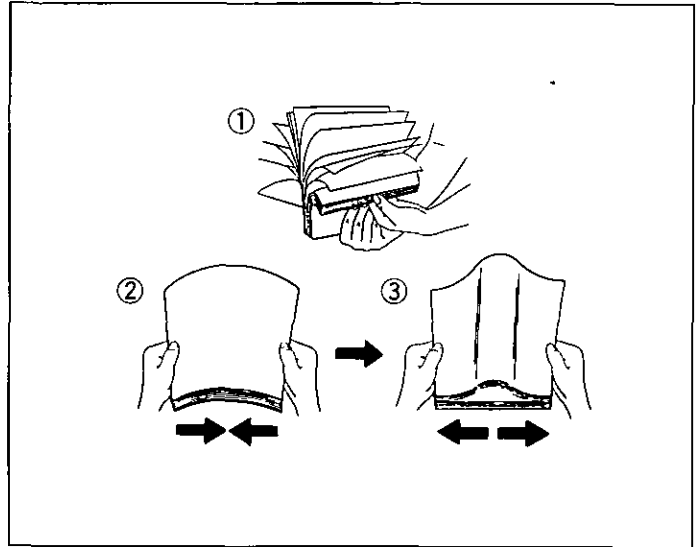
Display	Content																																																																																
<table border="1"> <tr> <td>S</td><td>c</td><td>a</td><td>n</td><td>n</td><td>i</td><td>n</td><td>g</td><td>.</td><td>.</td><td>.</td><td></td><td></td><td></td><td></td><td></td><td></td><td></td><td></td><td></td> </tr> <tr> <td></td><td></td><td></td><td></td><td></td><td></td><td></td><td></td><td></td><td></td><td></td><td></td><td></td><td></td><td></td><td></td><td></td><td></td><td></td><td>1</td> </tr> </table> <table border="1"> <tr> <td>S</td><td>c</td><td>a</td><td>n</td><td>n</td><td>i</td><td>n</td><td>g</td><td></td><td>a</td><td>k</td><td>t</td><td>i</td><td>v</td><td></td><td></td><td></td><td></td><td></td><td>1</td> </tr> <tr> <td></td><td></td><td></td><td></td><td></td><td></td><td></td><td></td><td></td><td></td><td></td><td></td><td></td><td></td><td></td><td></td><td></td><td></td><td></td><td></td> </tr> </table>	S	c	a	n	n	i	n	g	.	.	.																													1	S	c	a	n	n	i	n	g		a	k	t	i	v						1																					<p>This will be displayed when scanning is started until it is completed. After completion, "Ready" will be displayed.</p>
S	c	a	n	n	i	n	g	.	.	.																																																																							
																			1																																																														
S	c	a	n	n	i	n	g		a	k	t	i	v						1																																																														
<table border="1"> <tr> <td>S</td><td>t</td><td>o</td><td>p</td><td>p</td><td>i</td><td>n</td><td>g</td><td>.</td><td>.</td><td>.</td><td>W</td><td>a</td><td>i</td><td>t</td><td>!</td><td></td><td></td><td></td><td></td> </tr> <tr> <td></td><td></td><td></td><td></td><td></td><td></td><td></td><td></td><td></td><td></td><td></td><td>1</td><td>2</td><td>3</td><td>4</td><td>5</td><td>6</td><td>7</td><td>8</td> </tr> </table> <table border="1"> <tr> <td>A</td><td>b</td><td>b</td><td>r</td><td>u</td><td>c</td><td>h</td><td>.</td><td>.</td><td>.</td><td>W</td><td>a</td><td>r</td><td>t</td><td>e</td><td>n</td><td></td><td></td><td></td><td></td> </tr> <tr> <td></td><td></td><td></td><td></td><td></td><td></td><td></td><td></td><td></td><td></td><td></td><td>1</td><td>2</td><td>3</td><td>4</td><td>5</td><td>6</td><td>7</td><td>8</td> </tr> </table>	S	t	o	p	p	i	n	g	.	.	.	W	a	i	t	!																1	2	3	4	5	6	7	8	A	b	b	r	u	c	h	.	.	.	W	a	r	t	e	n																1	2	3	4	5	6	7	8	<p>If the STOP key is pressed, scanning will stop. This will be displayed when the STOP key was pressed during scanning. Even if the STOP key is pressed in a setting mode, this will be displayed. Then the scanner will return to setting mode after stopping scanner operation.</p>		
S	t	o	p	p	i	n	g	.	.	.	W	a	i	t	!																																																																		
											1	2	3	4	5	6	7	8																																																															
A	b	b	r	u	c	h	.	.	.	W	a	r	t	e	n																																																																		
											1	2	3	4	5	6	7	8																																																															
<table border="1"> <tr> <td>S</td><td>c</td><td>a</td><td>n</td><td>n</td><td>e</td><td>r</td><td></td><td>S</td><td>t</td><td>o</td><td>p</td><td>p</td><td>e</td><td>d</td><td></td><td></td><td></td><td></td><td></td> </tr> <tr> <td></td><td></td><td></td><td></td><td></td><td></td><td></td><td></td><td></td><td></td><td></td><td>1</td><td>2</td><td>3</td><td>4</td><td>5</td><td>6</td><td>7</td><td>8</td> </tr> </table> <table border="1"> <tr> <td>S</td><td>c</td><td>a</td><td>n</td><td></td><td>S</td><td>t</td><td>o</td><td>p</td><td>p</td><td></td><td>T</td><td>a</td><td>s</td><td>t</td><td>e</td><td></td><td></td><td></td><td></td> </tr> <tr> <td></td><td></td><td></td><td></td><td></td><td></td><td></td><td></td><td></td><td></td><td></td><td>1</td><td>2</td><td>3</td><td>4</td><td>5</td><td>6</td><td>7</td><td>8</td> </tr> </table>	S	c	a	n	n	e	r		S	t	o	p	p	e	d																	1	2	3	4	5	6	7	8	S	c	a	n		S	t	o	p	p		T	a	s	t	e																1	2	3	4	5	6	7	8	<p>This will be displayed when the STOP key is pressed and the scanner stops. Even if the document remains in the scanner, "JAM" will not be displayed. If the document remains in the scanner, open the front door and remove it. Then "Ready" will be displayed.</p>		
S	c	a	n	n	e	r		S	t	o	p	p	e	d																																																																			
											1	2	3	4	5	6	7	8																																																															
S	c	a	n		S	t	o	p	p		T	a	s	t	e																																																																		
											1	2	3	4	5	6	7	8																																																															
<table border="1"> <tr> <td>P</td><td>r</td><td>e</td><td>s</td><td>s</td><td></td><td>S</td><td>T</td><td>A</td><td>R</td><td>T</td><td></td><td>K</td><td>e</td><td>y</td><td></td><td></td><td></td><td></td><td></td> </tr> <tr> <td></td><td></td><td></td><td></td><td></td><td></td><td></td><td></td><td></td><td></td><td></td><td></td><td></td><td></td><td></td><td></td><td></td><td></td><td></td><td>1</td> </tr> </table> <table border="1"> <tr> <td>T</td><td>a</td><td>s</td><td>t</td><td>e</td><td></td><td>S</td><td>T</td><td>A</td><td>R</td><td>T</td><td></td><td>d</td><td>r</td><td>.</td><td></td><td></td><td></td><td></td><td></td> </tr> <tr> <td></td><td></td><td></td><td></td><td></td><td></td><td></td><td></td><td></td><td></td><td></td><td></td><td></td><td></td><td></td><td></td><td></td><td></td><td></td><td>1</td> </tr> </table>	P	r	e	s	s		S	T	A	R	T		K	e	y																									1	T	a	s	t	e		S	T	A	R	T		d	r	.																									1	<p>This will be displayed after setting scanning to start with a host computer. If the document is set and the START key is pressed, scanning will start.</p>
P	r	e	s	s		S	T	A	R	T		K	e	y																																																																			
																			1																																																														
T	a	s	t	e		S	T	A	R	T		d	r	.																																																																			
																			1																																																														

※Upper display in each cell is in English and lower one is in German.

Loading Documents

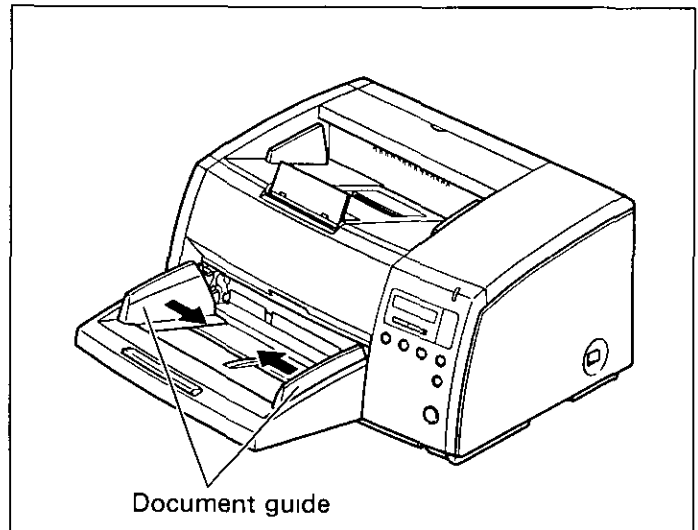
1 Documents that have been stapled together or stacked together (as in a file folder), will need to be separated

- ① Fan the stack of documents to separate all the edges
 - ② Hold both ends and bend the documents as shown in the illustration
 - ③ To straighten the documents, hold firmly and pull them apart as shown in the illustration
- Repeat these steps as necessary



2 Carefully align the documents

3 Adjust the document guides slightly larger than the actual size of the document

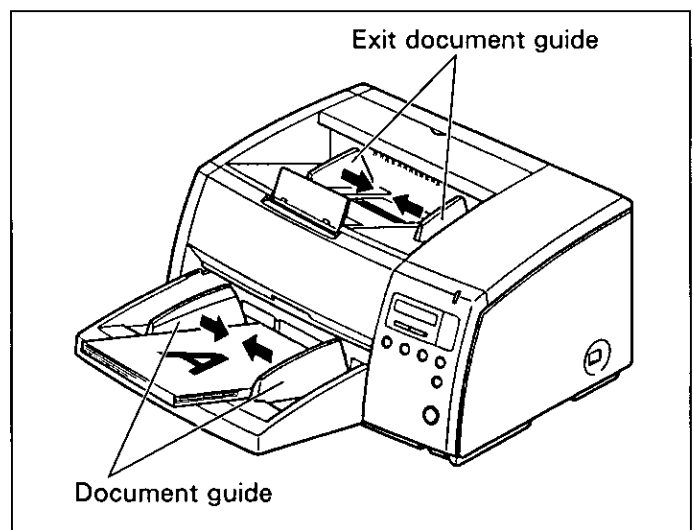
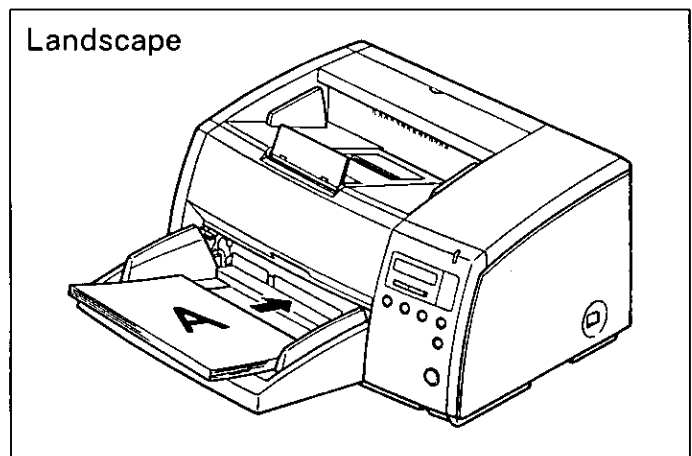
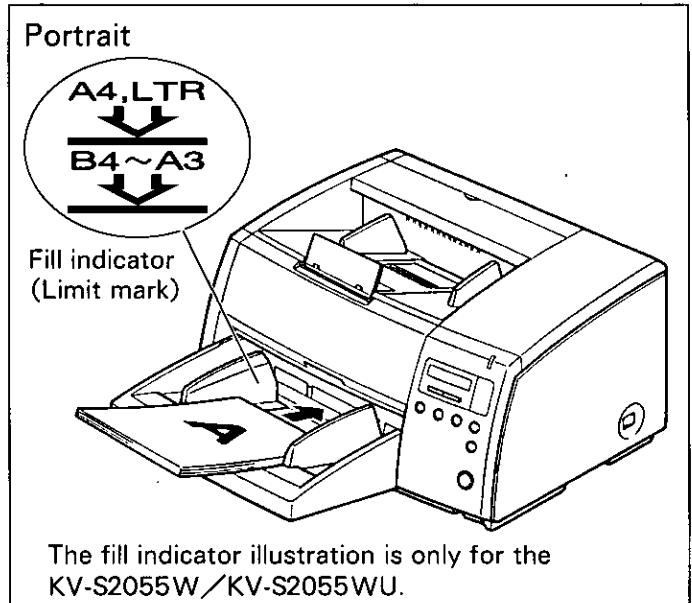


Loading Documents

4 Place the documents on the hopper with the side to be scanned facing up. Then push them in the direction of the arrow until they stop.

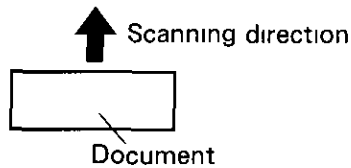
- Be sure to place the documents on the hopper as shown in the diagram at the right. The amount of documents should not exceed the limit mark on the document guide. This may cause a paper jam or skew.
- The scanning document size is different for the KV-S2055L/KV-S2055LU and KV-S2055W/KV-S2055WU. Please refer to page 41 or 42 "Specifications" for details.
- For documents up to A4, letter or legal size, up to 300 sheets of 64 g / m² (17 lbs.) paper can be placed at one time on the hopper. For documents up to B4, A3 or ledger size, up to 200 sheets of 64 g / m² (17 lbs.) paper can be placed.

5 Adjust the document guides to the size of the document to be scanned. Adjust the exit document guides to the size of the document to be output, if required.



6 When using long paper, pull out the hopper extension tray from the hopper and the exit stopper from the exit extension tray. You can also extend the exit extension tray, if required (See fig 1)

- When scanning narrow documents as shown below, pull up the exit substopper (See fig. 2)



- When scanning thin documents, raise the exit substopper slightly to let the document exit smoothly. (See fig 3)

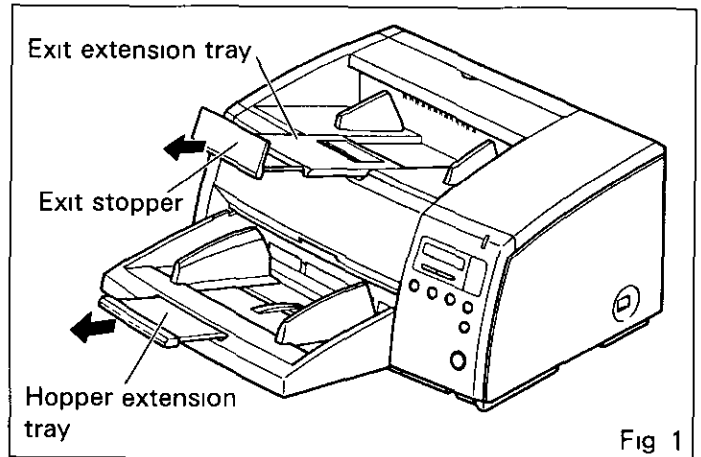


Fig 1

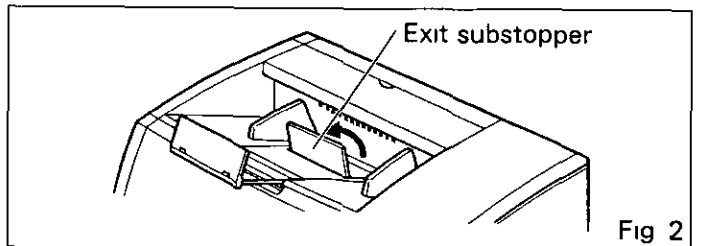


Fig 2

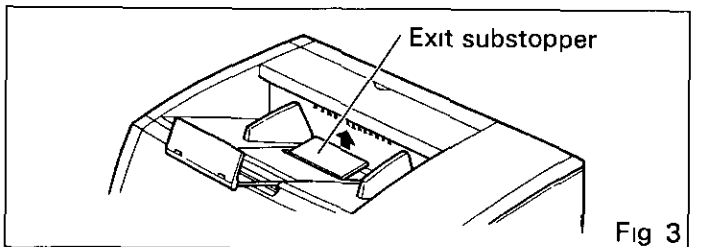


Fig 3

Cautions :

- For thin, thick or important paper, scan the document using single sheet (manual feed) mode. Also, remove the document from the pre-imprinter door (exit part) after it is scanned.
- The scanner will accept 50 to 157 g/m² (13 to 42 lbs) paper for continuous scanning and 20 to 157 g/m² (5.3 to 42 lbs) paper for single scanning.
- When scanning a thin, folded, creased or curled document, after straightening the document, set the feed speed to "Slow".
- When scanning thin documents, be sure to use less than 300 sheets.
- When scanning copying paper such as carbon or carbonless paper, set hopper single sheet (manual feed).
- When setting the document, be sure that it does not exceed the fill indicator (limit mark).
- Be sure to remove the document from the pre-imprinter door (exit part) after it is scanned.
- In cases where very fragile documents are to be scanned, it is recommended to make a copy and scan the copy.

Types of documents to avoid :

- OHP sheets, other plastic film, cloth, or metallic sheets
- Paper with irregularities such as tabs, staples, paste, etc
- Documents with wet ink
- Thick or irregular documents such as envelopes, paste, etc
- Copying paper such as carbons or carbonless paper (Chemically treated carbonless forms)
Note: Scanning chemically treated paper will result in premature wear of the paper feed roller.
- Damaged or wrinkled documents
- Unusually shaped documents
- Tracing paper

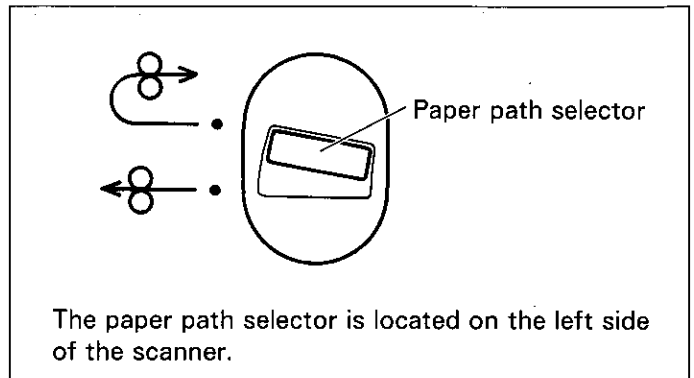
Secondary Settings

■ Selecting the paper path for scanned document

To select the front, set the paper path selector to the upper side.

To select a straight path pass through to the back, set the paper path selector to the lower side.

- When scanning documents with a thickness of 0.2 mm to 1 mm, like folded documents, set the paper path selector to straight.



■ Setting the ADF/manual feed selector

● Single scanning

When scanning a single sheet or several sheets, set the ADF/manual feed selector to "MANUAL".

● Continuous scanning

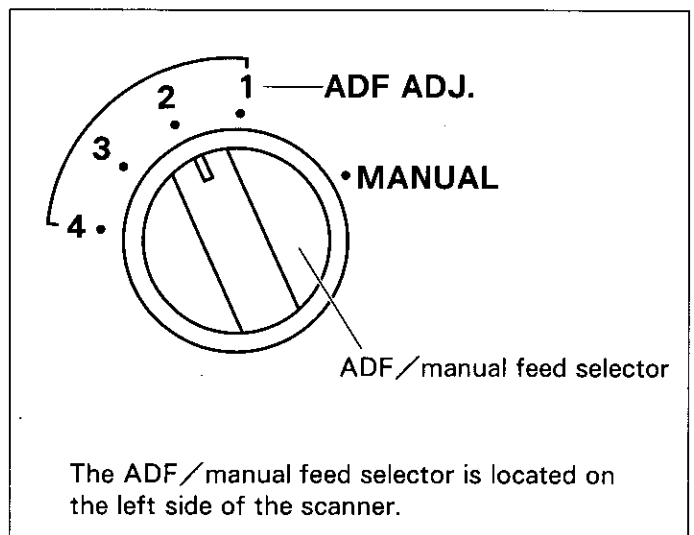
When scanning normal paper continuously, set the ADF/manual feed selector to "2".

When scanning with smooth sided paper or a paper jam occurs with normal paper, set the ADF/manual feed selector to "3".

When double feeding occurs frequently or scanning a document with a rough face as in NCR paper, set the ADF/manual feed selector to "1".

When a jam occurs at the paper feed component, set the ADF/manual feed selector to "4".

- The ADF/manual feed selector must be set in the chosen specific position for this setting to function properly.
- If double feed alarm beeps frequently, change the ADF/manual feed selector.



Clearing Paper Jams

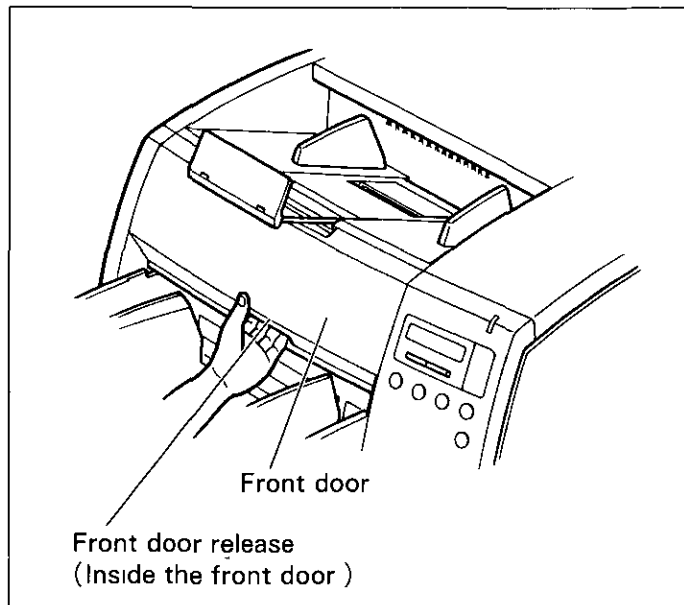
Torn documents, thin documents or documents that are creased on the top edge may cause paper jams. If a paper jam occurs ("U xx JAM" will be displayed on the LCD), remove the jammed sheet according to the following procedure.

■ Removing paper jams from the scanner

Use your fingers to hold down the front door release, open the front door and pull the jammed document towards the front.

Then close the front door.

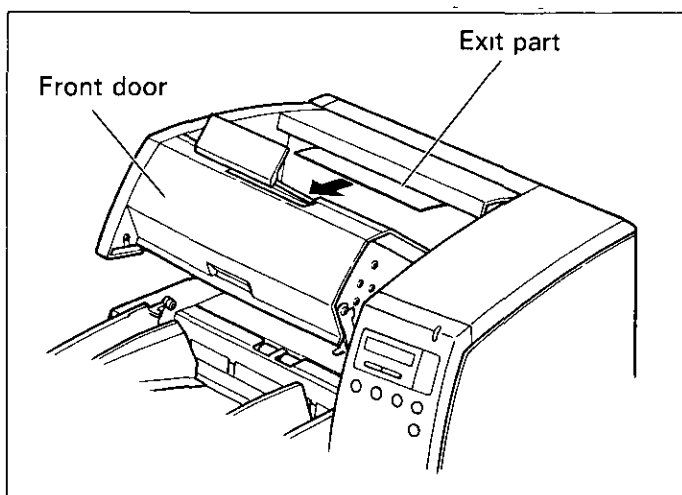
- Push both sides of the front door down slowly until it clicks into place.



■ Removing paper jams from the exit part

If a jammed document appears at the exit part, open the front door and pull the document forward, then close the front door.

- Push both sides of the front door down slowly until it clicks into place.

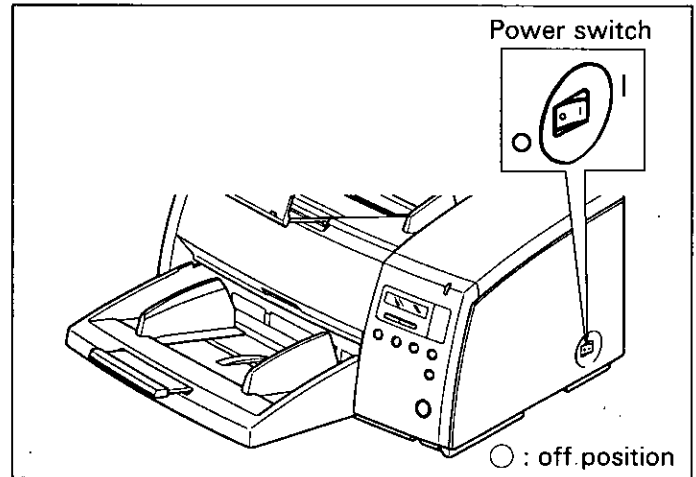


Cleaning the Unit

■ Outside of the scanner

- Clean the unit at least once a month.

- 1** Turn the power off.
- 2** Clean the cover with a soft cloth.
 - The document insertion and exit slots get dirty easily, so clean them.
- 3** Remove dirt and dust from the fan exhaust vent with a brush.

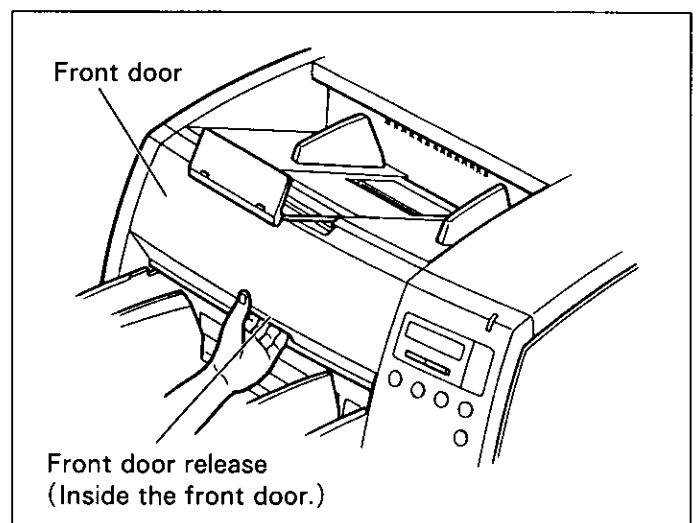


■ Inside the scanner

- Clean the unit at least once a week or when 10,000 sheets have been scanned, whichever comes first.
- Clean the rollers, document sensors and double feed detection sensors if paper jamming or double feeding occurs frequently.
- Clean the scanning section glass and white sensor rollers when black or white lines appear on the scanned images.
- If the documents you are scanning are dirty, then the scanner parts will become dirty as well. To maintain proper scanning, clean the scanner parts frequently.

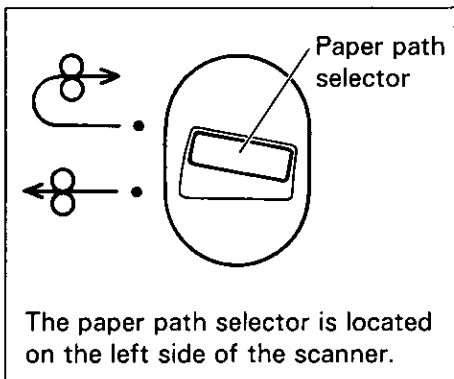
■ Cleaning the rollers

- 1** Turn the power off.
- 2** Use your fingers to hold down the front door release. Then open the front door completely.

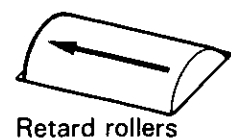
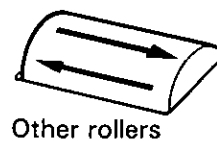
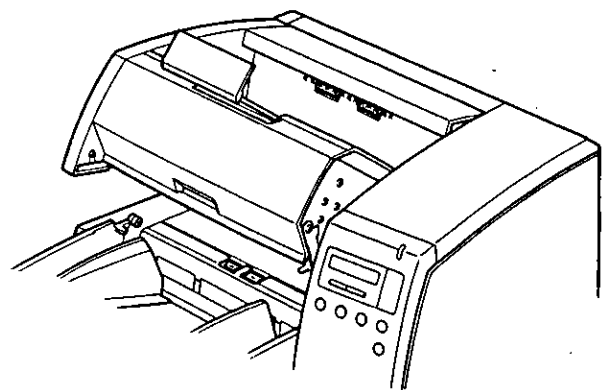
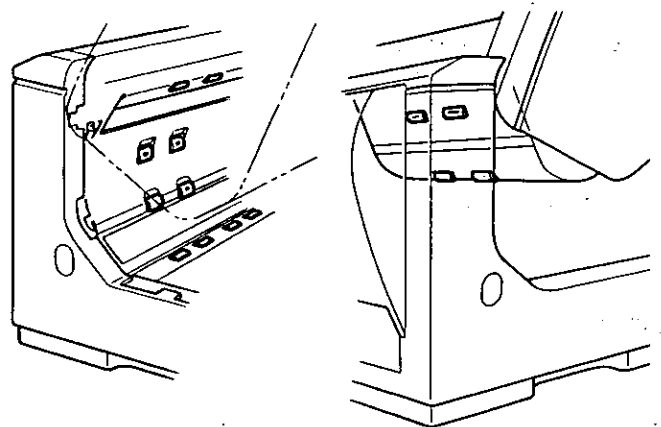
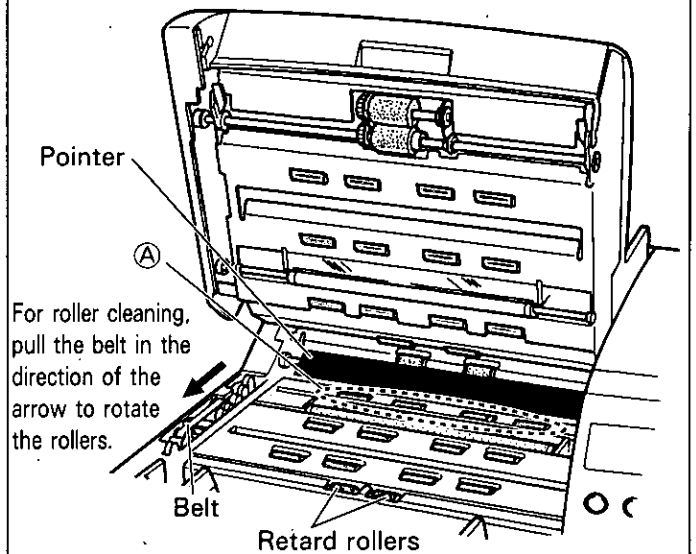


3 Use the accessory roller cleaning paper (KV-SS03) to remove the dirt from the surfaces of all rollers.

- When wiping off the dirt, hold the rollers to prevent them from rotating. Wipe the rollers all the way around from one end to the other in the directions of the arrows shown on the diagram to the right.
- Perform the retard roller cleaning only in the left direction. If cleaned in the right direction, the roller may slip out of the proper position.
- When cleaning the rollers in the back of the bottom scanning section glass (rollers of part ①), do not touch the tip of the plastic pointer (black) in the back of the unit. Set the paper path selector as shown below. When the tip of the pointer is raised; the tip may cause an injury.

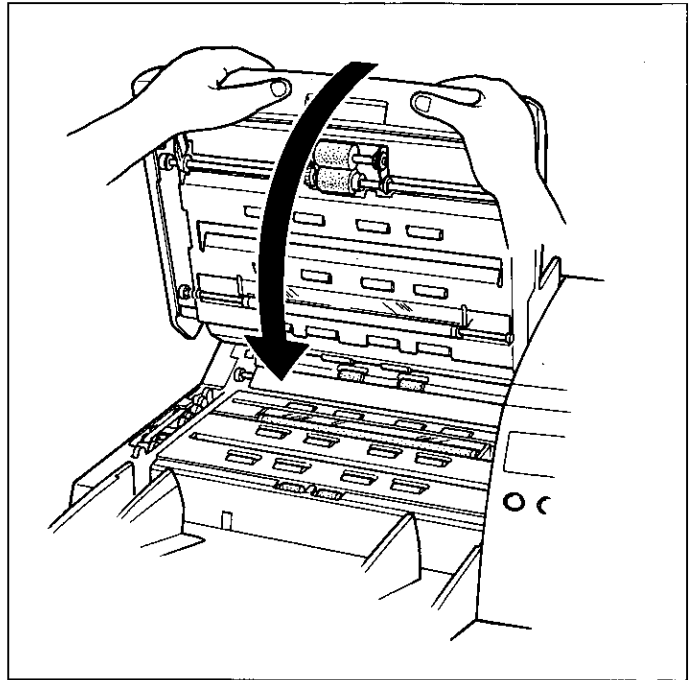


- The rollers to be cleaned are shaded.
- Wipe in the direction of the arrows.



Cleaning the Unit

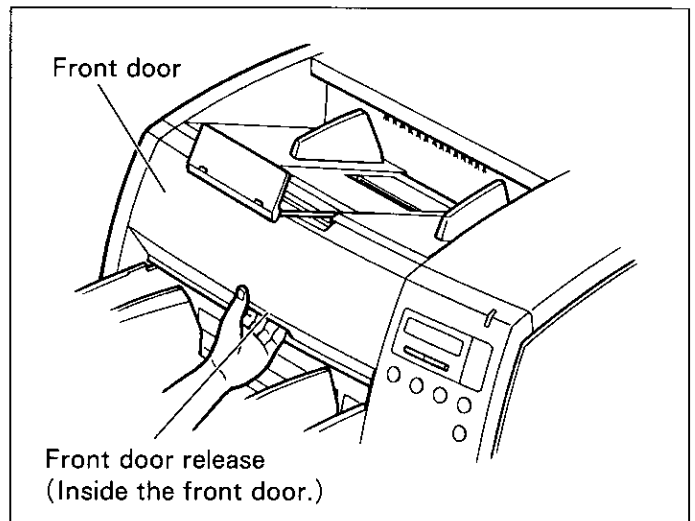
- 4** Close the front door.
- Push both sides of the front door down slowly until it clicks into place.
 - After cleaning, clear the "Clean Roller Warning" display. (Refer to page 22.)



■ Cleaning the scanning section glass, white sensor rollers, document sensors and double feed detection sensors

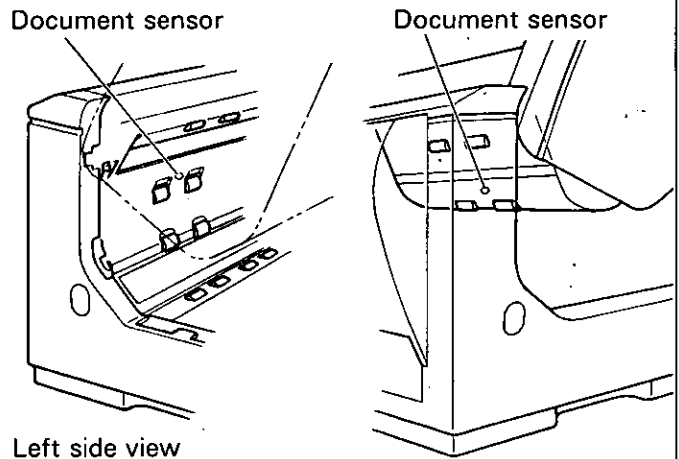
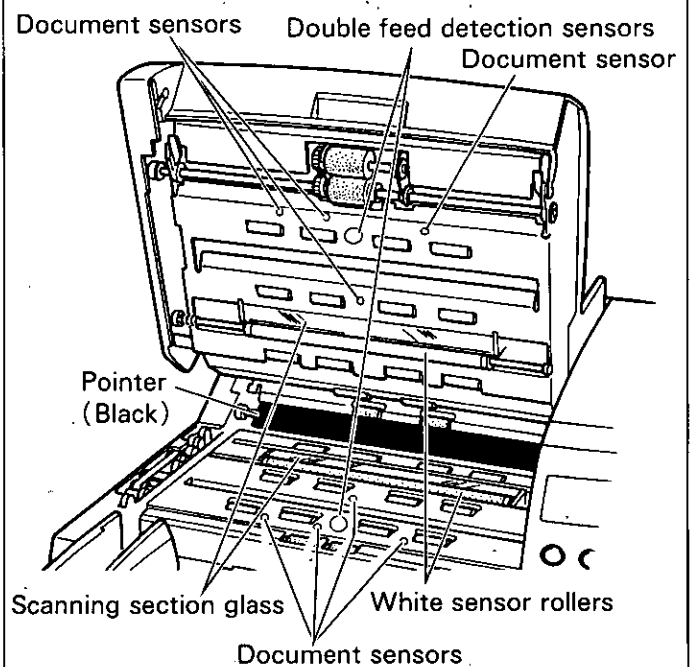
- 1** Turn the power off.

- 2** Use your fingers to hold down the front door release. Then open the front door completely.



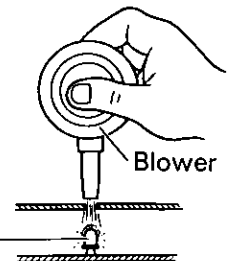
3 Clean the scanning section glass and white sensor rollers using the accessory roller cleaning paper. Then remove the dirt on the document sensors and double feed detection sensors with the included blower.

- When cleaning the bottom scanning section glass, do not touch the tip of the plastic pointer (black) in the back of the unit. If the paper path selector is set to the lower side, it may cause an injury.
- If the white sensor roller is removed while cleaning, re-attach it after cleaning. (Refer to page 34 for re-attachment.)



● How to clean the document sensor or double feed detection sensor

Remove the brush and blow off the dirt through the document sensor hole or double feed detection sensor hole.



4 Close the front door. (See the diagram in step 4 on page 32.)

- Push both sides of the front door down slowly until it clicks into place.

Cleaning the Unit

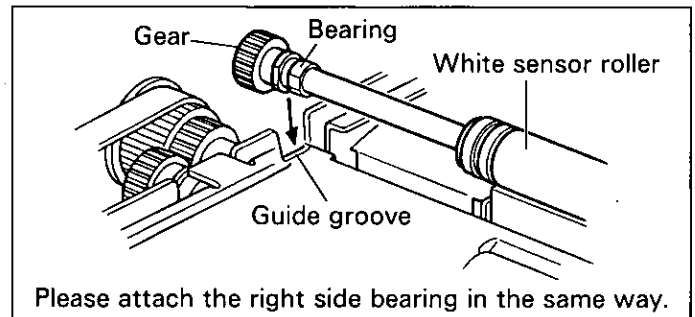
● Re-attachment of the white sensor roller

When the white sensor roller is removed while cleaning the inside of the scanner, re-attach it as shown below.

Lower white sensor roller:

Attach the roller by placing the gear side to the left side of the scanner and inserting both side's bearings into the guide grooves.

- After attaching, press down on top of the white sensor roller with your finger to confirm if it moves or not.



Upper white sensor roller:

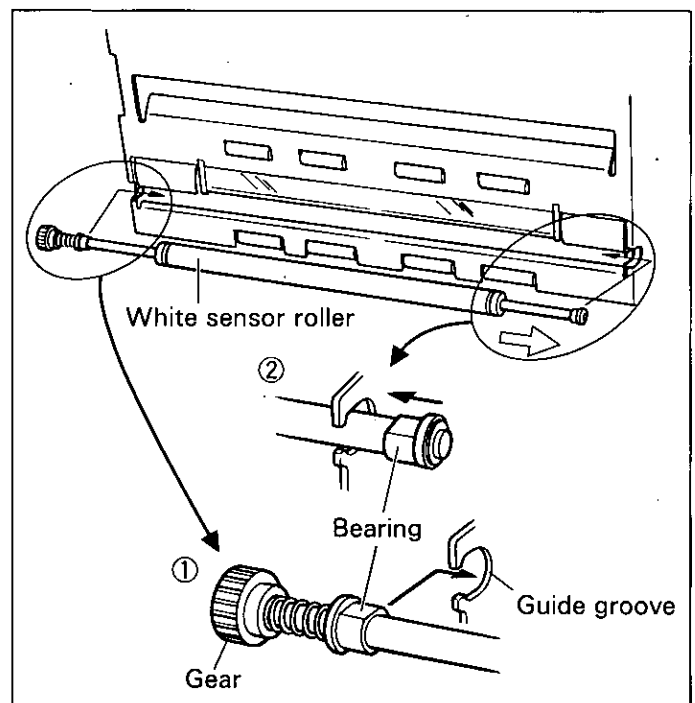
- ① Attach the roller by inserting the bearing of the gear side of the roller into the guide groove on the left side of the scanner.

- Match the flat side of the bearing with the flat side of the guide groove.

- ② Hold the shaft on the right side of the white sensor roller, push the tip of the gear, and slide the white sensor roller in the direction of the arrow ⇨.

Then attach the roller by inserting the bearing of the non-gear side of the roller into the guide groove on the right side of the scanner.

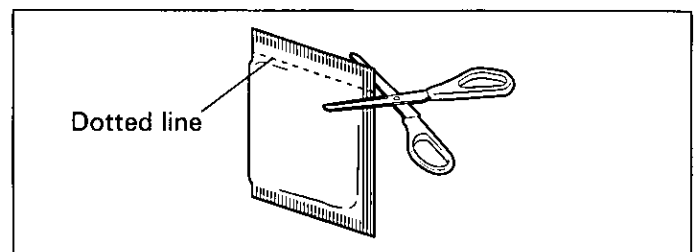
- Match the flat side of the bearing with the flat side of the guide groove.



■ Roller cleaning paper

Open the bag on the dotted line and take out the roller cleaning paper.

- If the bag is left open for a long period of time, the alcohol will evaporate. Please use the roller cleaning paper immediately after opening the bag.



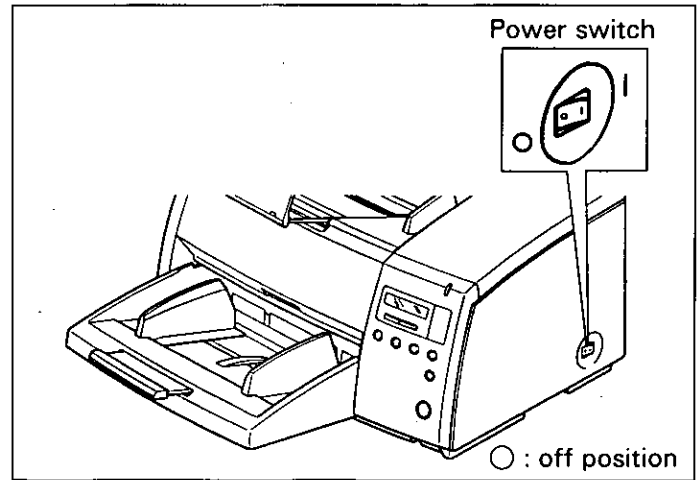
※ The roller cleaning paper (Model No. KV-SS03) is available from the dealer where you purchased your scanner.

For supplies and accessories: Call 1-800-346-4768 (U. S. A. only) or your dealer.

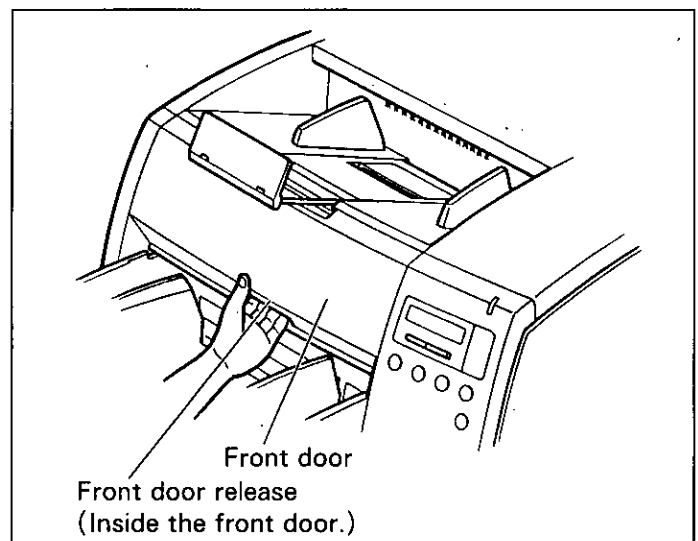
Replacing Consumable

If "Warning Replace Roller" message is displayed on the LCD, replace the paper feed roller module and retard roller module at the same time.

- 1 Turn the power off and unplug the power cord.



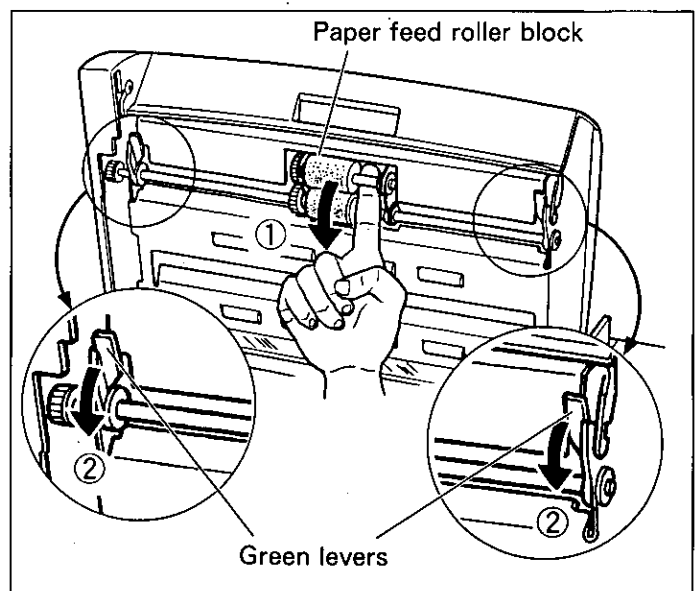
- 2 Use your fingers to hold down the front door release. Then open the front door completely.



- 3 Place your finger on the paper feed roller block shaft and pull it towards you to remove the paper feed roller block from the magnet. (1)

Push down the green levers and remove the paper feed roller module from the scanner by holding the green levers. (2)

- The paper feed roller block is attached by magnetic power.
- When moving the green levers, do not apply pressure in any other direction than the arrows. They may break.



Replacing Consumable

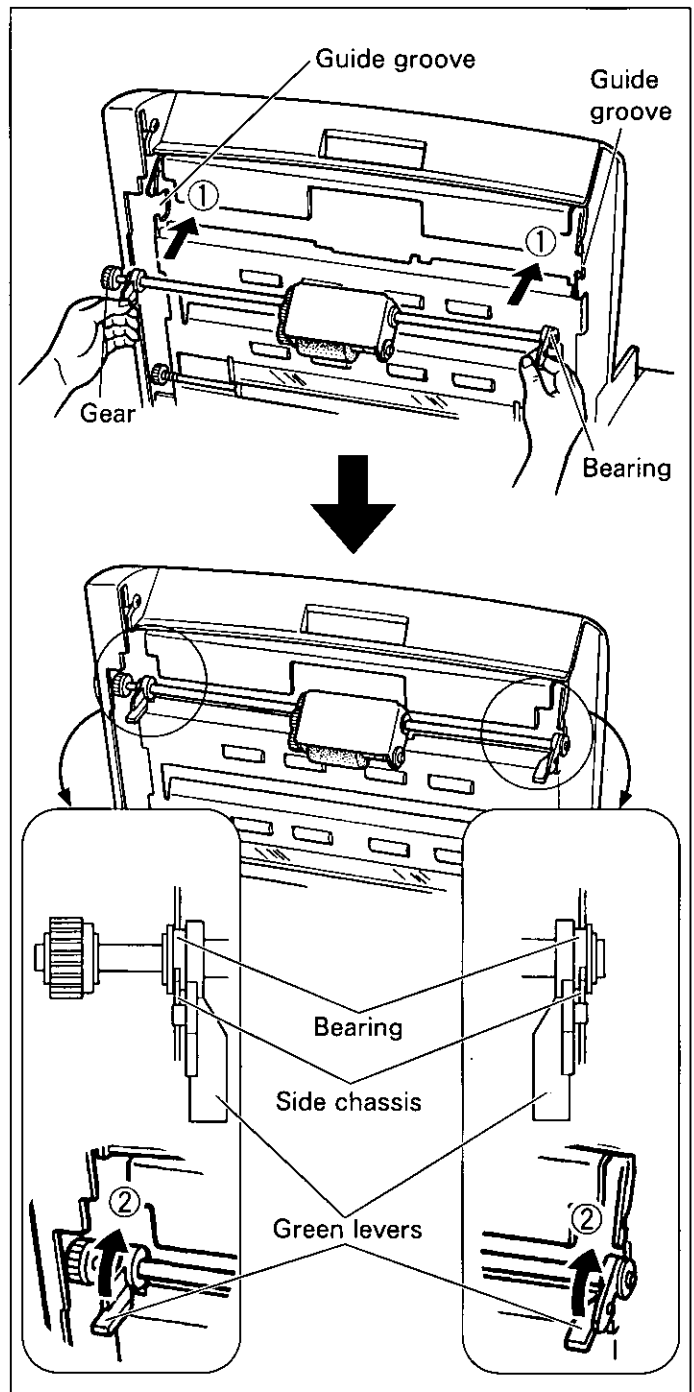
4 Open the optional "Roller Exchange Kit (KV-SS009)", and take out the paper feed roller module.

For supplies and accessories:
Call 1-800-346-4768 (U. S. A. only) or your dealer.

5 Install the new paper feed roller module with the gear on the left side and the bearings into the guide grooves of the side chassis in the scanner. (①)

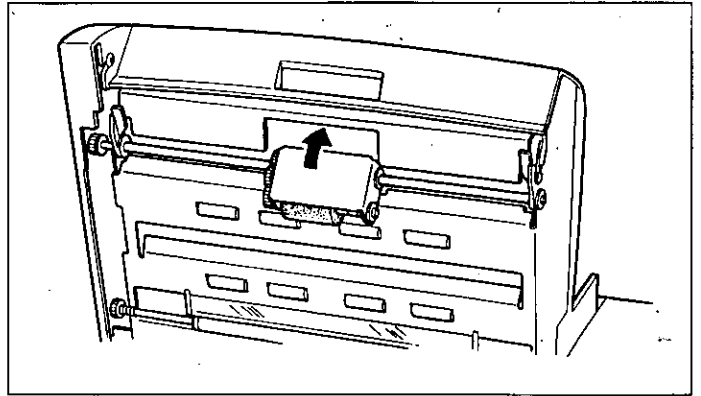
Then push up the green levers on both ends until they click into place. (②)

- Match the paper feed roller module with the bearings and guide grooves, and then attach it.



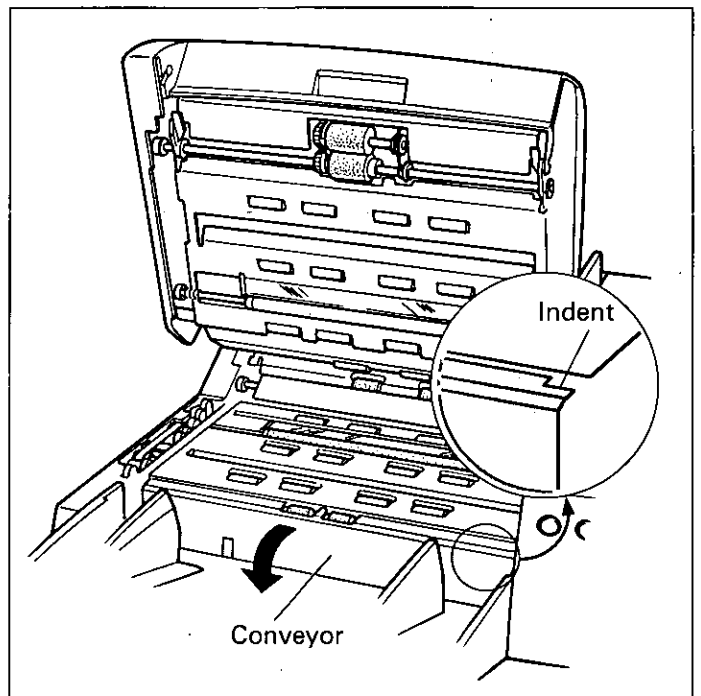
6 Push up on the paper feed roller block and it will magnetically attach to the chassis.

- When attaching the paper feed roller block to the chassis, do not damage the roller.
- You are now finished attaching the paper feed roller module. To continue, replace the retard roller module according to the following procedure. (The retard roller module is located in the conveyor.)



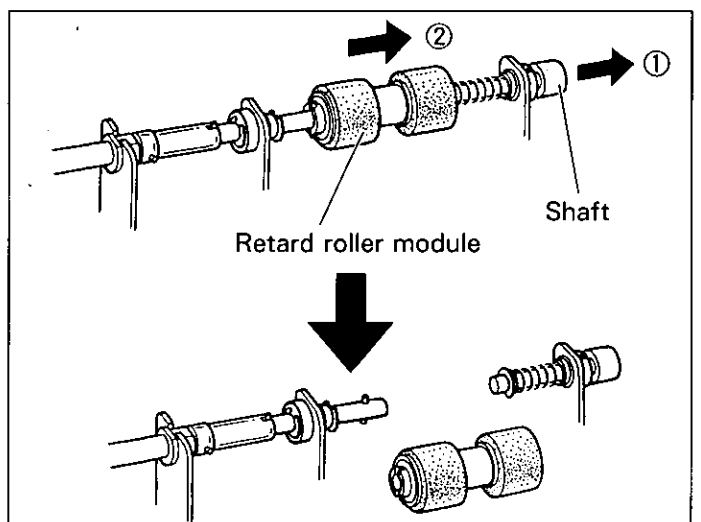
7 Pull open the conveyor towards you by using the indent on the right side.

- When the conveyor is pulled towards you, the click-stop mechanism will be released.
- When opening the conveyor, be careful not get your finger stuck in the indent.



8 Pull the right side of the shaft in the direction of the arrow and hold it there. (1)

Pull the retard roller module in the direction of the arrow (2) and then remove it.



Replacing Consumable

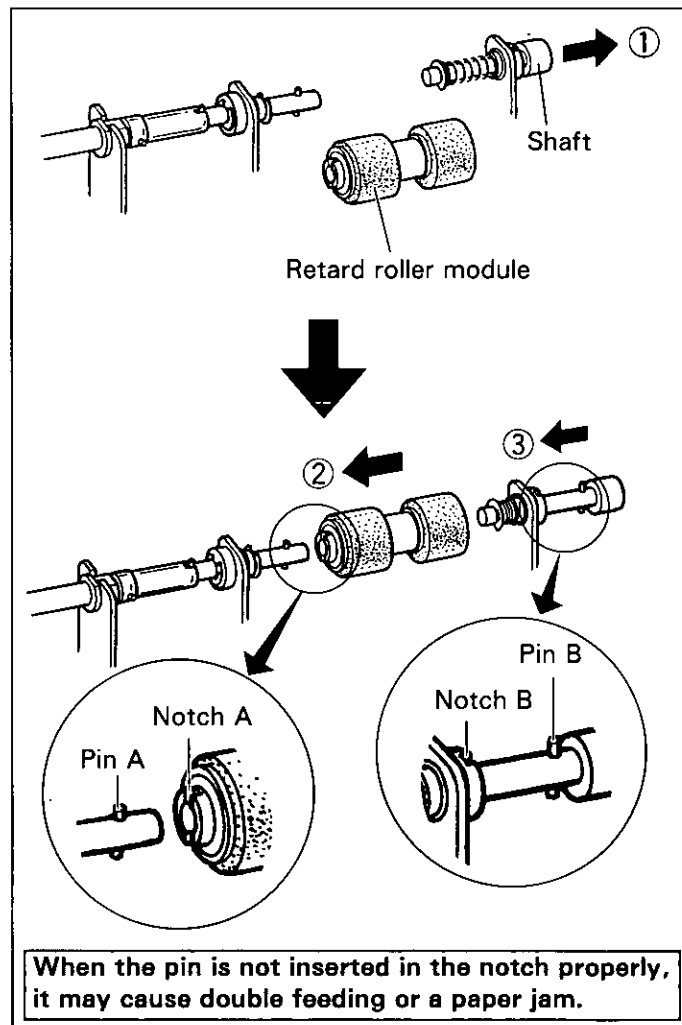
9 Take out the retard roller module in the optional "Roller Exchange Kit (KV-SS009)".

For supplies and accessories:
Call 1-800-346-4768 (U. S. A. only) or your dealer.

10 Pull the right side of the shaft in the direction of the arrow and hold it there. (①)

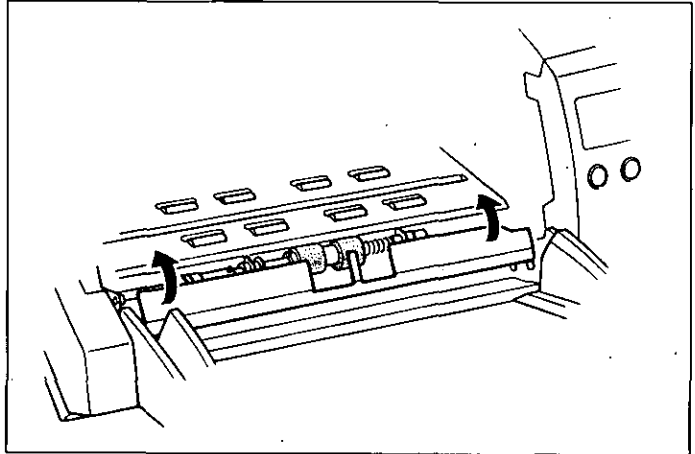
Attach the new retard roller module as shown in the diagram on the right (②) and then return the right side of the shaft in the direction of the arrow. (③)

- Confirm if pin A and pin B are inserted in their notches correctly.
- Attach the retard roller module so that the notch A is on the left side.



11 Hold the conveyor using both hands, and close the conveyor by pushing it into the unit.

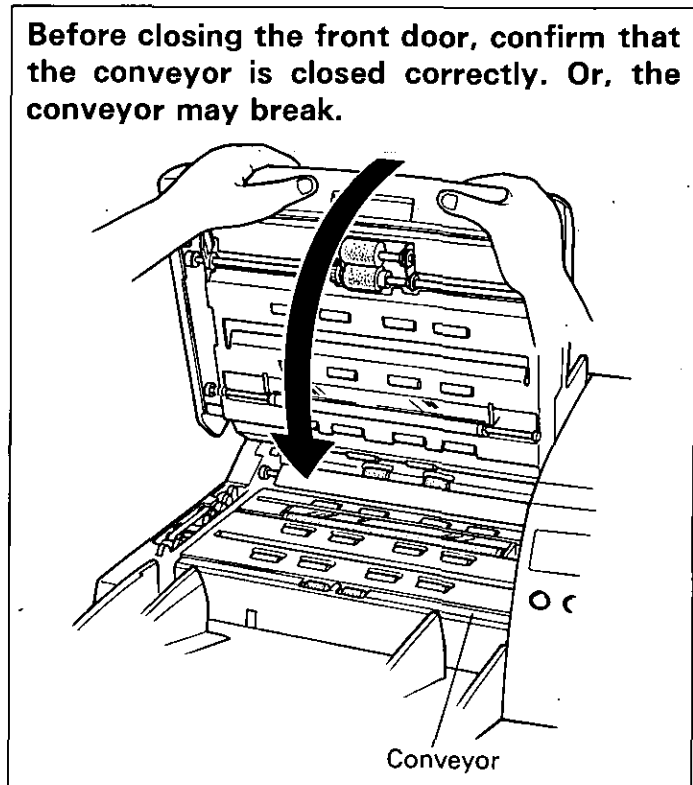
- When the conveyor is closed, the click-stop mechanism will operate.
- If the conveyor is not closed correctly and the operation in step 12 is done, the conveyor may break.



12 Close the front door.

- Push both sides of the front door down slowly until it clicks into place.
- After replacing rollers, clear the "Replace Roll: Warning" display. (Refer to page 22.)

Before closing the front door, confirm that the conveyor is closed correctly. Or, the conveyor may break.



Repacking Instructions

It is highly recommended that you keep the original carton and ALL packing materials. If you need to transport or ship your scanner, please follow these instructions.

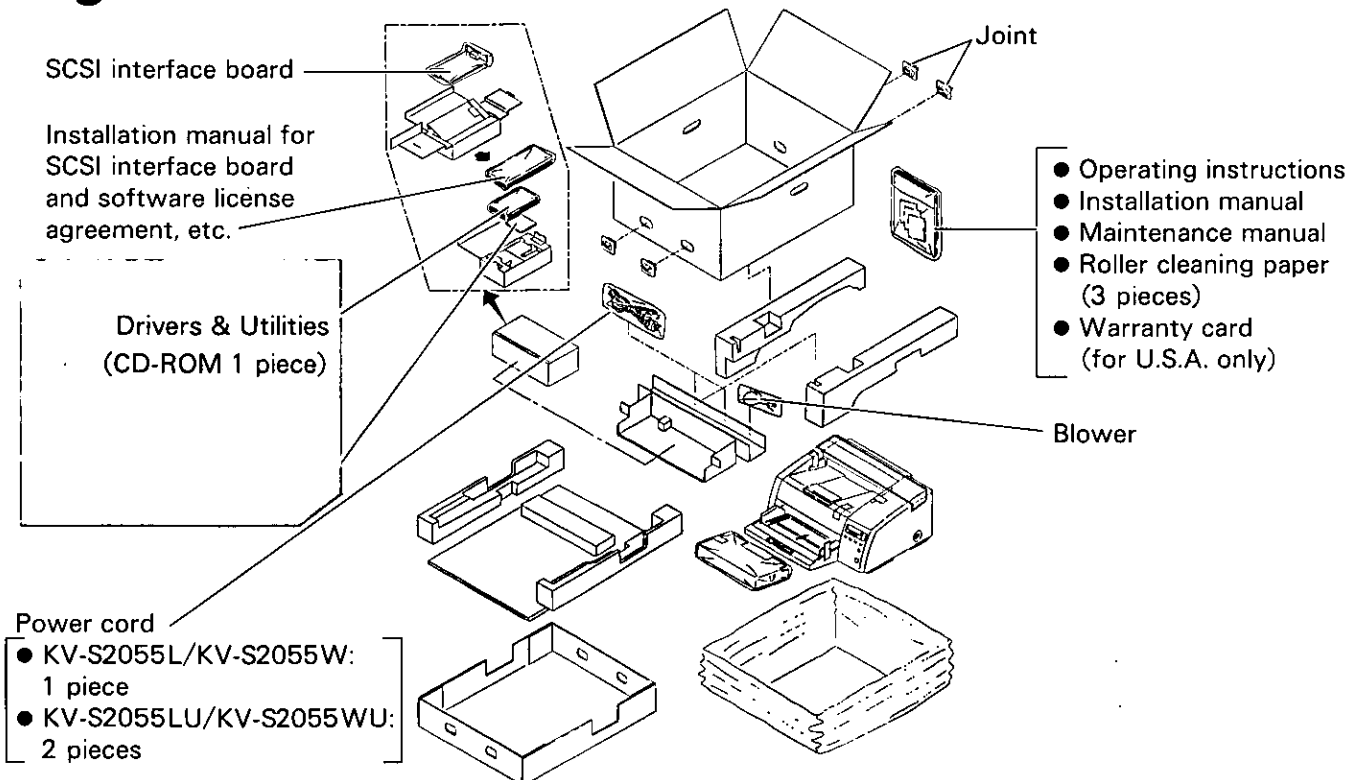
Please Note :

- Please use the original carton and all of the original packing materials. If you do not have the original packing materials, these are available from your Panasonic dealer. Please refer to your service dealer, or call 1-800-833-9626 (U. S. A. only) or your dealer.
- **Improper repacking of the scanner may result in a service charge to repair the unit.**
- The scanner should be handled in the correct (horizontal) position.

Materials Required :

- Original Scanner Carton & Packing Materials
- Shipping Tape and Scissors

- 1** Disconnect your scanner from the electrical outlet and the interface cable.
- 2** Fold the plastic part of the exit stopper and put the exit stopper into the exit extension tray. Slide the exit extension tray into the pre-imprinter door if it is pulled out.
- 3** Remove the SCSI interface board.
 - Please refer to "Installation Instructions for the SCSI Interface Board and SIMM Module".
- 4** Attach the screw, fixture and sheet for transportation.
 - Please refer to Installation Manual.
- 5** Pack the scanner.



Specifications

Item		Model No.	KV-S2055L	KV-S2055W
Scanner	Scanning face		Duplex scanning	
	Scanning method		Front side : CIS (Contact Type Image Sensor) Back side : CIS (Contact Type Image Sensor)	
	Readout speed		Simplex scanning : Approx. 50 sheets/min. (Letter, fed lengthwise, 200 dpi) Duplex scanning : Approx. 50 sheets/min. (Letter, fed lengthwise, 200 dpi)	
	Resolution		Main scanning direction : 100 ~ 600dpi (1 dpi step) Sub-scanning direction : 100 ~ 600dpi (1 dpi step) (Same as main scanning direction) The optical resolution is 400 dpi.	
	Tonal gradation		Binary mode, Grayscale mode (4/8 bit), 64-step gradation (dither) mode, 64-step gradation (error diffusion) mode	
	Image control		Image emphasis, Automatic threshold, Automatic separation, Monochrome reversing, Automatic back control	
	Paper	Size	Scanning size : 48×70mm (1.9×2.75 in.) to 216×431mm (8.5×17 in.) Feeding size : 48×70mm (1.9×2.75 in.) to 305×838mm (12×33 in.)	Scanning-size : 48×70mm (1.9×2.75 in.) to 298×431mm (11.7×17 in.) Feeding size : 48×70mm (1.9×2.75 in.) to 305×838mm (12×33 in.)
		Thickness	Single paper feeding : 0.025 to 0.2mm (1.0 to 7.9 mils) Continuous paper feeding : 0.06 to 0.2mm (2.4 to 7.9 mils) Note : 1 mil=1/1000 in.	
Weight		Single paper feeding : 20 to 157 g/m ² (5.3 to 42 lbs.) Continuous paper feeding : 50 to 157 g/m ² (13 to 42 lbs.)		
Unit	External dimensions (Width×Depth×Height)		495×575×246mm (19.5×22.6×9.7 in.)	
	Mass (Weight)		19kg (41.8 lbs.)	
	Power requirement		AC100 - 120V, 50/60Hz	
	Power consumption	Maximum (Scanning)	1.3A	
Minimum (Standby)		0.5A		
Operating Environment	Operating temperature and humidity		15°C to 30°C (59°F to 86°F), 30% to 80%RH	
Storage Environment	Storage temperature and humidity		0°C to 35°C (32°F to 95°F), 10% to 80%RH	
Option	Roller exchange kit (KV-SS009), Imprinter option (KV-SS010), Roller cleaning paper (KV-SS03), Ink cartridge (KV-SS06)			

"Weight in pounds" of paper represents the weight of 500 [17×22 inches (432×559mm)] sheets.

Specifications

Item		Model No.	KV-S2055LU	KV-S2055WU
Scanner	Scanning face		Duplex scanning	
	Scanning method		Front side : CIS (Contact Type Image Sensor) Back side : CIS (Contact Type Image Sensor)	
	Readout speed		Simplex scanning : Approx. 50 sheets/min. (A4, fed lengthwise, 200 dpi) Duplex scanning : Approx. 50 sheets/min. (A4, fed lengthwise, 200 dpi)	
	Resolution		Main scanning direction : 100 ~ 600dpi (1 dpi step) Sub-scanning direction : 100 ~ 600dpi (1 dpi step) (Same as main scanning direction) The optical resolution is 400 dpi.	
	Tonal gradation		Binary mode, Grayscale mode (4/8 bit), 64-step gradation (dither) mode, 64-step gradation (error diffusion) mode	
	Image control		Image emphasis, Automatic threshold, Automatic separation, Monochrome reversing, Automatic back control	
	Paper	Size		Scanning size : 48×70mm to 216×431mm Feeding size : 48×70mm to 305×838mm
Thickness			Single paper feeding : 0.025 to 0.2mm Continuous paper feeding : 0.06 to 0.2mm	
Weight		Single paper feeding : 20 to 157 g/m ² Continuous paper feeding : 50 to 157 g/m ²		
Unit	External dimensions (Width×Depth×Height)		495×575×246mm	
	Mass (Weight)		19kg	
	Power requirement		AC220 - 240V, 50/60Hz	
	Power consumption	Maximum (Scanning)	0.8A	
Minimum (Standby)		0.3A		
Operating Environment	Operating temperature and humidity		15°C to 30°C, 30% to 80%RH	
Storage Environment	Storage temperature and humidity		0°C to 35°C, 10% to 80%RH	
Option	Roller exchange kit (KV-SS009), Imprinter option (KV-SS010), Roller cleaning paper (KV-SS03), Ink cartridge (KV-SS06)			

Troubleshooting

If a problem occurs while the unit is being used, first check the following items. If the unit still malfunctions, turn it OFF, unplug the power cord and call for service.

Symptom	Possible Cause	Remedy
The LCD does not display when the power switch is turned ON.	The power cord is not plugged in.	Insert the power plug firmly.
	A fuse has blown.	Pull out the power plug, then call for service.
	Foreign matter is lodged in the fan, preventing it from rotating.	
A double feeding problem occurs.	The rollers are dirty.	Clean all of the rollers. (See pages 30 through 33.)
	The ADF/manual feed selector is not set properly.	Adjust the ADF/manual feed selector. (See page 28.)
The document stops during scanning.	The document is creased or torn, or longer than A3 size or smaller than 48×70 mm (1.9×2.75 in).	Make a copy of the document on paper of the specified size [between 48×70 mm (1.9×2.75 in.) and A3 size] and scan the copy.
	The document is jammed.	Refer to the next page when an error is displayed. (See pages 44 and 45.)
The document is not fed smoothly during scanning.	The rollers are dirty.	Clean all of the rollers. (See pages 30 through 33.)
The scanned document is blank.	The document to be scanned was loaded face down (upside down).	Load the document correctly.
The scanned document is skewed.	The document guides were not touching the edges of the document, or the document was skewed when loaded.	Set the document guides or the document correctly.
Vertical lines appear on the scanned document.	The white sensor rollers, scanning section glass or the rubber rollers are dirty.	Wipe the dirty parts with a clean cloth. (See pages 30 through 34.)
The computer does not recognize the scanner.	The computer cannot recognize the scanner.	Turn the computer OFF. Turn the scanner ON, and then turn the computer ON again.
		Confirm the SCSI ID and product ID, and then set them correctly.
The scanned document is faint.	The white sensor rollers are dirty.	Clean the white sensor rollers. (See pages 32 through 34.)
The double feed detection sensor is not operating.	There is dust from the paper on the double feed detection sensor.	Please clean the double feed detection sensor with the included blower. (Refer to page 33.)

Troubleshooting

LCD	Possible Cause	Remedy				
<table border="1"> <tr><td>***Warning***</td></tr> <tr><td>Clean Roller</td></tr> <tr><td>***Achtung***</td></tr> <tr><td>Walzen reinigen</td></tr> </table>	***Warning***	Clean Roller	***Achtung***	Walzen reinigen	The rollers are dirty.	Clean the rollers. (See pages 30 through 33.)
Warning						
Clean Roller						
Achtung						
Walzen reinigen						
<table border="1"> <tr><td>***Warning***</td></tr> <tr><td>Replace Roller</td></tr> <tr><td>***Achtung***</td></tr> <tr><td>Walzen tauschen</td></tr> </table>	***Warning***	Replace Roller	***Achtung***	Walzen tauschen	The rollers need to be replaced.	Replace the paper feed roller module and retard roller module. (See pages 35 through 39.)
Warning						
Replace Roller						
Achtung						
Walzen tauschen						
<table border="1"> <tr><td>U11 JAM</td></tr> <tr><td>XXXXXXXXXX</td></tr> <tr><td>U11 Stau</td></tr> <tr><td>XXXXXXXXXX</td></tr> </table>	U11 JAM	XXXXXXXXXX	U11 Stau	XXXXXXXXXX	The document is jammed.	Open the front door and remove the jammed paper. (See page 29.)
U11 JAM						
XXXXXXXXXX						
U11 Stau						
XXXXXXXXXX						
<table border="1"> <tr><td>U12 JAM</td></tr> <tr><td>XXXXXXXXXX</td></tr> <tr><td>U12 Stau</td></tr> <tr><td>XXXXXXXXXX</td></tr> </table>	U12 JAM	XXXXXXXXXX	U12 Stau	XXXXXXXXXX	The document is jammed.	Open the front door and remove the jammed paper. (See page 29.)
U12 JAM						
XXXXXXXXXX						
U12 Stau						
XXXXXXXXXX						
<table border="1"> <tr><td>U13 JAM</td></tr> <tr><td>XXXXXXXXXX</td></tr> <tr><td>U13 Stau</td></tr> <tr><td>XXXXXXXXXX</td></tr> </table>	U13 JAM	XXXXXXXXXX	U13 Stau	XXXXXXXXXX	The document is jammed.	Open the front door and remove the jammed paper. (See page 29.)
U13 JAM						
XXXXXXXXXX						
U13 Stau						
XXXXXXXXXX						
<table border="1"> <tr><td>U14 JAM</td></tr> <tr><td>XXXXXXXXXX</td></tr> <tr><td>U14 Stau</td></tr> <tr><td>XXXXXXXXXX</td></tr> </table>	U14 JAM	XXXXXXXXXX	U14 Stau	XXXXXXXXXX	The document is jammed.	Open the front door and remove the jammed paper. (See page 29.)
U14 JAM						
XXXXXXXXXX						
U14 Stau						
XXXXXXXXXX						
<table border="1"> <tr><td>U15 JAM</td></tr> <tr><td>XXXXXXXXXX</td></tr> <tr><td>U15 Stau</td></tr> <tr><td>XXXXXXXXXX</td></tr> </table>	U15 JAM	XXXXXXXXXX	U15 Stau	XXXXXXXXXX	The document is jammed.	Open the front door and remove the jammed paper. (See page 29.)
U15 JAM						
XXXXXXXXXX						
U15 Stau						
XXXXXXXXXX						
<table border="1"> <tr><td>U16 JAM</td></tr> <tr><td>XXXXXXXXXX</td></tr> <tr><td>U16 Stau</td></tr> <tr><td>XXXXXXXXXX</td></tr> </table>	U16 JAM	XXXXXXXXXX	U16 Stau	XXXXXXXXXX	The document is jammed.	Open the front door and remove the jammed paper. (See page 29.)
U16 JAM						
XXXXXXXXXX						
U16 Stau						
XXXXXXXXXX						
<table border="1"> <tr><td>U17 JAM</td></tr> <tr><td>XXXXXXXXXX</td></tr> <tr><td>U17 Stau</td></tr> <tr><td>XXXXXXXXXX</td></tr> </table>	U17 JAM	XXXXXXXXXX	U17 Stau	XXXXXXXXXX	The document is jammed.	Open the front door and remove the jammed paper. (See page 29.)
U17 JAM						
XXXXXXXXXX						
U17 Stau						
XXXXXXXXXX						

LCD	Possible Cause	Remedy																																																																								
<table border="1"> <tr><td>U18</td><td>R</td><td>e</td><td>m</td><td>a</td><td>i</td><td>n</td><td>d</td><td>D</td><td>o</td><td>c</td><td>.</td></tr> <tr><td></td><td></td><td></td><td></td><td></td><td></td><td></td><td></td><td>X</td><td>X</td><td>X</td><td>X</td></tr> </table> <table border="1"> <tr><td>U18</td><td>V</td><td>e</td><td>r</td><td>b</td><td>i</td><td>.</td><td>D</td><td>o</td><td>k</td><td>.</td><td></td></tr> <tr><td></td><td></td><td></td><td></td><td></td><td></td><td></td><td></td><td>X</td><td>X</td><td>X</td><td>X</td></tr> </table>	U18	R	e	m	a	i	n	d	D	o	c	.									X	X	X	X	U18	V	e	r	b	i	.	D	o	k	.										X	X	X	X	<p>A document remains in the scanner.</p>	<p>Open the front door and remove all of the remaining documents.</p>																								
U18	R	e	m	a	i	n	d	D	o	c	.																																																															
								X	X	X	X																																																															
U18	V	e	r	b	i	.	D	o	k	.																																																																
								X	X	X	X																																																															
	<p>Dust adheres to the document sensors.</p>	<p>Clean a dust using the included blower. (See page 33.)</p>																																																																								
<table border="1"> <tr><td>U23</td><td>D</td><td>o</td><td>u</td><td>b</td><td>l</td><td>e</td><td>F</td><td>e</td><td>e</td><td>d</td><td>.</td></tr> <tr><td></td><td></td><td></td><td></td><td></td><td></td><td></td><td></td><td>X</td><td>X</td><td>X</td><td>X</td></tr> </table> <table border="1"> <tr><td>U23</td><td>D</td><td>o</td><td>p</td><td>p</td><td>e</td><td>l</td><td>e</td><td>i</td><td>n</td><td>z</td><td>u</td><td>g</td></tr> <tr><td></td><td></td><td></td><td></td><td></td><td></td><td></td><td></td><td>X</td><td>X</td><td>X</td><td>X</td><td>X</td></tr> </table>	U23	D	o	u	b	l	e	F	e	e	d	.									X	X	X	X	U23	D	o	p	p	e	l	e	i	n	z	u	g									X	X	X	X	X	<p>Multiple sheets were fed into the unit.</p>	<p>Open the front door and remove the jammed paper. (See page 29.)</p>																						
U23	D	o	u	b	l	e	F	e	e	d	.																																																															
								X	X	X	X																																																															
U23	D	o	p	p	e	l	e	i	n	z	u	g																																																														
								X	X	X	X	X																																																														
<table border="1"> <tr><td>U30</td><td>F</td><td>r</td><td>o</td><td>n</td><td>t</td><td>D</td><td>o</td><td>o</td><td>r</td><td>.</td><td></td></tr> <tr><td></td><td></td><td></td><td></td><td></td><td></td><td></td><td></td><td>X</td><td>X</td><td>X</td><td>X</td></tr> </table> <table border="1"> <tr><td>U30</td><td>F</td><td>r</td><td>o</td><td>n</td><td>t</td><td>K</td><td>l</td><td>a</td><td>p</td><td>p</td><td>e</td></tr> <tr><td></td><td></td><td></td><td></td><td></td><td></td><td></td><td></td><td>X</td><td>X</td><td>X</td><td>X</td></tr> </table>	U30	F	r	o	n	t	D	o	o	r	.										X	X	X	X	U30	F	r	o	n	t	K	l	a	p	p	e									X	X	X	X	<p>The front door is open.</p>	<p>Close the front door.</p>																								
U30	F	r	o	n	t	D	o	o	r	.																																																																
								X	X	X	X																																																															
U30	F	r	o	n	t	K	l	a	p	p	e																																																															
								X	X	X	X																																																															
<table border="1"> <tr><td>U32</td><td>B</td><td>a</td><td>c</td><td>k</td><td>D</td><td>o</td><td>o</td><td>r</td><td>.</td><td></td><td></td></tr> <tr><td></td><td></td><td></td><td></td><td></td><td></td><td></td><td></td><td>X</td><td>X</td><td>X</td><td>X</td></tr> </table> <table border="1"> <tr><td>U32</td><td>R</td><td>ü</td><td>c</td><td>k</td><td>K</td><td>l</td><td>a</td><td>p</td><td>p</td><td>e</td><td>.</td></tr> <tr><td></td><td></td><td></td><td></td><td></td><td></td><td></td><td></td><td>X</td><td>X</td><td>X</td><td>X</td></tr> </table>	U32	B	a	c	k	D	o	o	r	.											X	X	X	X	U32	R	ü	c	k	K	l	a	p	p	e	.									X	X	X	X	<p>The post-imprinter (back) door is open.</p>	<p>Close the post-imprinter door.</p>																								
U32	B	a	c	k	D	o	o	r	.																																																																	
								X	X	X	X																																																															
U32	R	ü	c	k	K	l	a	p	p	e	.																																																															
								X	X	X	X																																																															
<table border="1"> <tr><td>U34</td><td>T</td><td>o</td><td>p</td><td>D</td><td>o</td><td>o</td><td>r</td><td>.</td><td></td><td></td><td></td></tr> <tr><td></td><td></td><td></td><td></td><td></td><td></td><td></td><td></td><td>X</td><td>X</td><td>X</td><td>X</td></tr> </table> <table border="1"> <tr><td>U34</td><td>O</td><td>b</td><td>e</td><td>r</td><td>e</td><td>K</td><td>l</td><td>a</td><td>p</td><td>p</td><td>e</td></tr> <tr><td></td><td></td><td></td><td></td><td></td><td></td><td></td><td></td><td>X</td><td>X</td><td>X</td><td>X</td></tr> </table>	U34	T	o	p	D	o	o	r	.												X	X	X	X	U34	O	b	e	r	e	K	l	a	p	p	e									X	X	X	X	<p>The pre-imprinter (top) door is open.</p>	<p>Close the pre-imprinter door.</p>																								
U34	T	o	p	D	o	o	r	.																																																																		
								X	X	X	X																																																															
U34	O	b	e	r	e	K	l	a	p	p	e																																																															
								X	X	X	X																																																															
<table border="1"> <tr><td>HXX</td><td>C</td><td>a</td><td>l</td><td>l</td><td>S</td><td>e</td><td>r</td><td>v</td><td>i</td><td>c</td><td>e</td></tr> <tr><td></td><td></td><td></td><td></td><td></td><td></td><td></td><td></td><td>X</td><td>X</td><td>X</td><td>X</td></tr> </table> <table border="1"> <tr><td>FXX</td><td>C</td><td>a</td><td>l</td><td>l</td><td>S</td><td>e</td><td>r</td><td>v</td><td>i</td><td>c</td><td>e</td></tr> <tr><td></td><td></td><td></td><td></td><td></td><td></td><td></td><td></td><td>X</td><td>X</td><td>X</td><td>X</td></tr> </table> <table border="1"> <tr><td>HXX</td><td>S</td><td>e</td><td>r</td><td>v</td><td>.</td><td>r</td><td>u</td><td>f</td><td>e</td><td>n</td><td>.</td></tr> <tr><td></td><td></td><td></td><td></td><td></td><td></td><td></td><td></td><td>X</td><td>X</td><td>X</td><td>X</td></tr> </table>	HXX	C	a	l	l	S	e	r	v	i	c	e									X	X	X	X	FXX	C	a	l	l	S	e	r	v	i	c	e									X	X	X	X	HXX	S	e	r	v	.	r	u	f	e	n	.									X	X	X	X	<p>A user non-servicable error has occurred.</p>	<p>Please consult with a service representative.</p>
HXX	C	a	l	l	S	e	r	v	i	c	e																																																															
								X	X	X	X																																																															
FXX	C	a	l	l	S	e	r	v	i	c	e																																																															
								X	X	X	X																																																															
HXX	S	e	r	v	.	r	u	f	e	n	.																																																															
								X	X	X	X																																																															
<table border="1"> <tr><td>U50</td><td>N</td><td>o</td><td>I</td><td>/</td><td>F</td><td>B</td><td>o</td><td>a</td><td>r</td><td>d</td><td>.</td></tr> <tr><td></td><td></td><td></td><td></td><td></td><td></td><td></td><td></td><td>X</td><td>X</td><td>X</td><td>X</td></tr> </table> <table border="1"> <tr><td>U50</td><td>K</td><td>.</td><td>S</td><td>c</td><td>h</td><td>n</td><td>i</td><td>t</td><td>t</td><td>s</td><td>t</td></tr> <tr><td></td><td></td><td></td><td></td><td></td><td></td><td></td><td></td><td>X</td><td>X</td><td>X</td><td>X</td></tr> </table>	U50	N	o	I	/	F	B	o	a	r	d	.									X	X	X	X	U50	K	.	S	c	h	n	i	t	t	s	t									X	X	X	X	<p>An interface board has not been installed.</p>	<p>Install the optional interface board.</p>																								
U50	N	o	I	/	F	B	o	a	r	d	.																																																															
								X	X	X	X																																																															
U50	K	.	S	c	h	n	i	t	t	s	t																																																															
								X	X	X	X																																																															

Index

	Page		Page
A		E	
AC inlet	10	Error diffusion	16, 17
ADF/manual feed selector	10, 28	Exit document guide	10, 26
B		Exit extension tray	10, 27
Back side brightness	12, 16	Exit stopper	10, 27
Back side contrast	12, 16	Exit substopper	10, 27
Back side halftone	12, 17	F	
Back side image emphasis	12, 16	Fan exhaust vent	10, 30
Bayer dither 16	16, 17	Fill indicator	26, 27
Bayer dither 64	16, 17	Front door release	10, 30
Binary	16, 17	Front side brightness	12, 15
Black line removal	12, 17	Front side contrast	12, 15
Blower	33	Front side halftone	12, 16
C		Front side image emphasis	12, 15
Carbon or carbonless paper	27	H	
Checking the roller		Halftone dot 32	16, 17
cleaning warning	13, 22	Halftone dot 64	16, 17
Checking the roller modules		High	16
replacement warning	13, 22	HOME	11, 14
Checking the version	13, 21	Hopper	10, 26
Clearing the roller		Hopper extension tray	10, 27
cleaning warning	13, 22	Host	15, 16
Clearing the roller modules		I	
replacement warning	13, 22	IMPRINT	11, 14
Clear the user counter	12, 19	Imprinter setting menu	20
Connector	10	L	
Conveyor	37	Landscape	26
COUNTER	11, 14	LCD (Liquid Crystal Display)	11
Counter setting menu	19	Load scanning setting	12, 18
D		Low	15, 16
Default	12, 18		
Detect	17		
Display panel	10, 11		
Document guide	10, 25		
Document sensor	33		
Double feed detection	12, 17		

	Page		Page
M			
Medium	16	Setting the lamp	13, 21
Menu	11, 14	Setting the language	24
N			
Noise reduction	12, 17	Setting the post-imprinter data	13, 20
None	17	Setting the post-imprinter position	13, 21
Norm	16	Setting the pre-imprinter data	13, 20
Normal	17	Setting the pre-imprinter position	13, 20
Not defect	17	Setting the product ID	13, 23
O			
Operating environment	41, 42	Setting the SCSI ID	13, 22
P			
Paper feed roller block	35	Setting the terminator	13, 22
Paper feed roller module	35	Setting the user counter	12, 19
Paper path selector	10, 28	Setting the user counter extender	12, 19
Portrait	26	Smooth	16
Post-imprinter door	10	U	
Power consumption	41, 42	User counter	19
Power cord	10	W	
Power requirement	41, 42	White sensor roller	30, 32
Power switch	10		
Pre-imprinter door	10		
R			
Readout speed	41, 42		
Retard roller module	37		
Roller cleaning paper	31, 34		
S			
Save scanning settings	12, 18		
SCAN	11, 14		
Scanning face	41, 42		
Scanning method	41, 42		
Scanning section glass	30, 32		
Select the counter displayed			
on the LCD	12, 19		
Setting the buzzer	13, 21		

Panasonic Communications & Systems Company
Division of Matsushita Electric Corporation of America
Two Panasonic Way, Secaucus, New Jersey 07094

Panasonic Canada Inc.
5770 Ambler Drive, Mississauga, Ontario, L4W 2T3

Matsushita Electric Industrial Co., Ltd.
Central P O BOX 288, Osaka 530-91, Japan

Printed in Japan

PBQX50228WA K0898E2108

Free Manuals Download Website

<http://myh66.com>

<http://usermanuals.us>

<http://www.somanuals.com>

<http://www.4manuals.cc>

<http://www.manual-lib.com>

<http://www.404manual.com>

<http://www.luxmanual.com>

<http://aubethermostatmanual.com>

Golf course search by state

<http://golfingnear.com>

Email search by domain

<http://emailbydomain.com>

Auto manuals search

<http://auto.somanuals.com>

TV manuals search

<http://tv.somanuals.com>