

Panasonic®

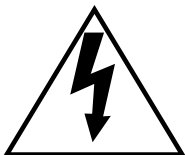
Lens Controller

Model No. **AW-LK30**

Operating Instructions



Before attempting to connect or operate this product,
please read these instructions completely
and save this manual for future use.



SA 1965

The lightning flash with arrowhead symbol, within an equilateral triangle, is intended to alert the user to the presence of uninsulated "dangerous voltage" within the product's enclosure that may be of sufficient magnitude to constitute a risk of electric shock to persons.



SA 1966

The exclamation point within an equilateral triangle is intended to alert the user to the presence of important operating and maintenance (servicing) instructions in the literature accompanying the appliance.

WARNING:
TO PREVENT FIRE OR SHOCK HAZARD, DO NOT EXPOSE THIS APPLIANCE TO RAIN OR MOISTURE.

For U.S.A.

NOTE: This equipment has been tested and found to comply with the limits for a Class A digital device, pursuant to part 15 of the FCC Rules. These limits are designed to provide reasonable protection against harmful interference when the equipment is operated in a commercial environment. This equipment generates, uses, and can radiate radio frequency energy and, if not installed and used in accordance with the instruction manual, may cause harmful interference to radio communications. Operation of this equipment in a residential area is likely to cause harmful interference in which case the user will be required to correct the interference at his own expense.

For CANADA

This Class A digital apparatus complies with Canadian ICES-003.
Cet appareil numérique de la classe A est conforme à la norme NMB-003 du Canada.

The information marking of this product may be found on the bottom of the unit.
The serial number of this product may be found on the bottom of the unit.
You should note the serial number of this unit in the space provided and retain this book as a permanent record of your purchase to aid identification in the event of theft.

Model No. _____

Serial No. _____

CONTENTS

WARNING/CAUTION FOR SAFETY	4
PREFACE	5
PRECAUTIONS	5
MAJOR OPERATING CONTROLS AND THEIR FUNCTIONS	6
INSTALLATION	8
SPECIFICATIONS	9
STANDARD ACCESSORIES	10

WARNING/CAUTION FOR SAFETY



WARNING

- **Refer all servicing to qualified personnel**

To reduce the risk of electric shock, don't remove cover or back, unless you are a qualified personnel. Refer all mountings, connections, servicing to qualified service personnel.

- **No water or moisture inside**

Do not let water or moisture into the product, or expose it to moisture, to prevent a fire and electric shock.

- If you see smoke or smell an odor from the product, if water or other foreign matter gets inside, if it is damaged by dropping, or if you find anything wrong with it, immediately stop using it.

- **Do not disassemble or modify the product to prevent a fire and electric shock.**



CAUTION

- Do not drop the product, do not expose it to strong shock, or do not step on it, to prevent a fire and injuries.
- Do not install the product at a place full of moisture and dust, which may cause a fire and electric shock.

PREFACE

The AW-LK30 is a lens controller for motor-driven lenses that have a zoom/focus control cable (fitted with a 12-pin female connector). Connected to a lens control cable, it permits local control of lens zoom, focus, and iris. (Applicable lenses: Panasonic AW-S14XBMD, AW-LZ10MD6, AW-LZ14MD55, etc.)

PRECAUTIONS

- **Power Off Before Plugging or Unplugging**

Be sure to switch power off before plugging or unplugging the cable.

- **Handle with Care**

Be careful not to drop the unit, and not to expose it to strong shock or vibration. This is important to prevent the unit from malfunction.

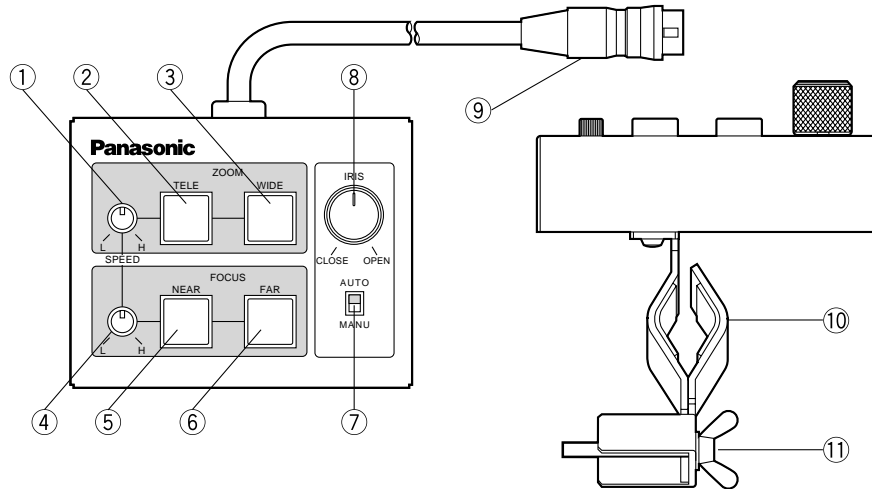
- **Little Moisture and Dust**

Avoid using the unit at a humid and dusty place because moisture and dust adversely affect the parts inside.

- **Operating Temperature Range**

Avoid using the unit at a cold place below -10°C or at a hot place over $+45^{\circ}\text{C}$ because very low or high temperature adversely affects the internal parts.

MAJOR OPERATING CONTROLS AND THEIR FUNCTIONS



① Zoom Speed Control [ZOOM SPEED L/H]

To adjust lens zoom control speed. Turning it clockwise increases speed.

② Zoom Control Tele Switch [ZOOM TELE]

The lens zooms in the telescopic direction while the switch is kept depressed.

③ Zoom Control Wide Switch [ZOOM WIDE]

The lens zooms in the wide angle direction while the switch is kept depressed.

④ Focus Speed Control [FOCUS SPEED L/H]

To adjust lens focus control speed. Turning it clockwise increases speed.

- ⑤ **Focus Control Near Switch [FOCUS NEAR]**
The lens focus draws near while the switch is kept depressed.
- ⑥ **Focus Control Far Switch [FOCUS FAR]**
The lens focus moves far while the switch is kept depressed.
- ⑦ **Iris Auto/Manual Switch [IRIS AUTO/MANU]**
At AUTO, the iris is automatically controlled (ALC).
At MANU, the iris can be adjusted with Iris Control
⑧.

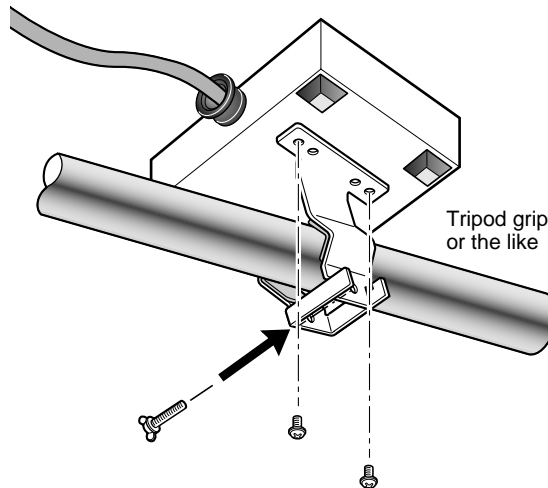
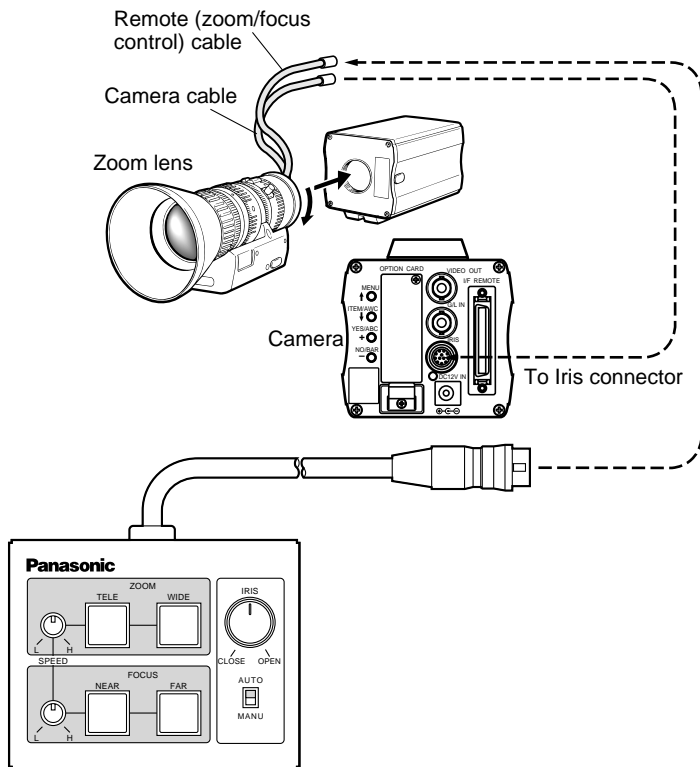
Caution

If your lens has zoom, focus and iris AUTO/MANU switches, set all the AUTO/MANU switches to AUTO.

- ⑧ **Iris Control [IRIS CLOSE/OPEN]**
The iris can be adjusted from CLOSE to OPEN or vice versa when Iris AUTO/MANU switch ⑦ is at MANU. Turn it counterclockwise to close the iris, or clockwise to open it.
- ⑨ **Lens Control Connector**
Connect the zoom/focus control cable of your lens to it.

- ⑩ **Clamper**
Use it to clamp the lens controller to the grip of a tripod, for example.
- ⑪ **Clamp Screw**
Tighten this screw to fasten the lens controller to the grip of a tripod, for example.

INSTALLATION



SPECIFICATIONS

Power supply:	12 V DC, 60 mA (supplied from lens)
Lens control:	Zoom: Speed, tele/wide Focus: Speed, near/far Iris: Auto/manual, open/close
Connecting cable length:	190 cm
Operating temperature range:	-10°C to +45°C (14°F to +113°F)
Humidity:	30% to 90%
Dimensions:	90 (W) x 40 (H) x 70 (D) mm [3-17/32" x 1-9/16" x 2-3/4"]
Weight:	400 g (0.9 lbs.)
Finish:	AV Ivory paint (close to Munsell 7.9Y6.8/0.8)

Weight and dimensions indicated are approximate.
Specifications are subject to change without notice.

STANDARD ACCESSORIES

Clamper 1 each, right and left
Clamp screw 1 pc
Mounting screw 2 pcs

Panasonic

PANASONIC BROADCAST & DIGITAL SYSTEMS COMPANY
DIVISION OF MATSUSHITA ELECTRIC CORPORATION OF AMERICA

Executive Office: 3330 Cahuenga Blvd W., Los Angeles, CA 90068
(323) 436-3500

EASTERN ZONE: One Panasonic Way 4E-7, Secaucus, NJ 07094 (201) 348-7621

Mid-Atlantic: One Panasonic Way 4E-7, Secaucus, NJ 07094 (201) 348-7621

Southeast Region: 1225 Northbrook Parkway, Ste 1-160 Suwanee, GA 30024
(770) 338-6845

Central Region: 1707 N Randall Road E1-C-1, Elgin, IL 60123 (847) 468-5200

WESTERN ZONE: 3330 Cahuenga Blvd W., Los Angeles, CA 90068 (323) 436-3500

Dallas Region: 6226 Abington Way, Houston, TX 77008 (713) 802-2726

Government Marketing Department: 52 West Gude Drive, Rockville, MD 20850 (301) 738-3840

PANASONIC CANADA INC.

5770 Ambler Drive, Mississauga, Ontario, L4W 2T3 (905) 238-2115

PANASONIC SALES COMPANY

DIVISION OF MATSUSHITA ELECTRIC OF PUERTO RICO, INC.

San Gabriel Industrial Park, 65th Infantry Ave., KM9.5 Carolina, Puerto Rico 00630 (809) 750-4300

Free Manuals Download Website

<http://myh66.com>

<http://usermanuals.us>

<http://www.somanuals.com>

<http://www.4manuals.cc>

<http://www.manual-lib.com>

<http://www.404manual.com>

<http://www.luxmanual.com>

<http://aubethermostatmanual.com>

Golf course search by state

<http://golfingnear.com>

Email search by domain

<http://emailbydomain.com>

Auto manuals search

<http://auto.somanuals.com>

TV manuals search

<http://tv.somanuals.com>