

Service Manual

AUTOMOTIVE ELECTRONICS

COMPACT
disc
DIGITAL AUDIO



<CQ-JA1071L>

AUDI

CQ-JA1070L

CQ-JA1071L

CQ-JA1072L

CQ-JA1073L

CQ-JA1074L

AM/FM MPX ELECTRONIC TUNING
RADIO with CD Player

DESTINATION : Europe

PRODUCED AFTER : Aug., 2001

[Note] See the next page about PART No. and VECLE.

Specification*

General

Power Supply	DC 12V (11V - 16V), Test Voltage 14.4V Negative Ground
Current Consumption	Less than 2.5A (0.5W×4ch)
Power Output	12W×2ch
Speaker Impedance	4Ω

LW Radio

Frequency Range	153 - 279kHz
Usable Sensitivity	18dB/μV (S/N 20dB)

MW Radio

Frequency Range	531 - 1,602kHz
Usable Sensitivity	14dB/μV (S/N 20dB)

FM Stereo Radio

Frequency Range	87.5 - 108.0MHz
Usable Sensitivity	12dB/μV (S/N 30dB)

CD Player

Signal to Noise Ratio	More than 70dB (IHF-A)
Channel Separation	More than 65dB (IHF-A)

Dimensions**

179(W)×51(H)×154(D)mm

Weight**

1.7kg

* Specifications and the design are subject to possible modification without notice due to improvements.

** Dimensions and Weight shown are approximate.

Panasonic

© 2001 Matsushita Communication Industrial Co., Ltd. All rights reserved. Unauthorized copying and distribution is a violation of law.

⚠ WARNING

This service information is designed for experienced repair technicians only and is not designed for use by the general public. It does not contain warnings or cautions to advise non-technical individuals of potential dangers in attempting to service a product. Products powered by electricity should be serviced or repaired only by experienced professional technicians. Any attempt to service or repair the product or products dealt with in this service information by anyone else could result in serious injury or death.

IMPORTANT SAFETY NOTICE

There are special components used in this equipment which are important for safety. These parts are marked by ⚠ in the Schematic Diagrams, Circuit Board Diagrams, Exploded Views and Replacement Parts List. It is essential that these critical parts should be replaced with manufacturer's specified parts to prevent shock, fire or other hazards. Do not modify the original design without permission of manufacturer.

CONTENTS

	Page		Page
1 PART No. AND VEHICLE	2	9 PACKAGE AND IC BLOCK DIAGRAM	11
2 FEATUERS	2	10 REPLACEMENT PARTS LIST	14
3 LASER PRODUCTS	2	11 EXPLODED VIEW (Unit)	22
4 FRONT VIEW AND FUNCTIONS	3	12 CD PLAYER PARTS	23
5 REAR VIEW AND CONNECTORS	3	13 EXPLODED VIEW (CD Deck)	24
6 WIRING CONNECTION	4	14 WIRING DIAGRAM	25
7 BLOCK DIAGRAM	5	15 SCHEMATIC DIAGRAM -1	31
8 TERMINALS DESCRIPTION	9	16 SCHEMATIC DIAGRAM -2	33

1 PART No. AND VEHICLE

[PART No.]

- (CQ-JA1070L) : 8E0 035 186
- (CQ-JA1071L) : 4D0 035 186G
- (CQ-JA1072L) : 4B0 035 186G
- (CQ-JA1073L) : 8L0 035 186G
- (CQ-JA1074L) : 8Z0 035 186A

[VEHICLE]

- (CQ-JA1070L) : AUDI A4
- (CQ-JA1071L) : AUDI A8
- (CQ-JA1072L) : AUDI A6, TT
- (CQ-JA1073L) : AUDI A3
- (CQ-JA1074L) : AUDI A2

2 FEATUERS

- PLL (Phase Locked Loop) synthesized tuning.
- 12-FM, 12-AM presets with preset scan
- NCD-8 CD player.
- CD Changer control.

3 LASER PRODUCTS

Do not take apart this unit or attempt to make any changes yourself.

This unit is very intricate that uses a laser pickup to retrieve information from the surface of compact discs. The laser is carefully shielded so that its rays remain inside the cabinet. Therefore, never try to disassemble the player or alter any of its parts since you may be exposed to laser rays and dangerous voltages.

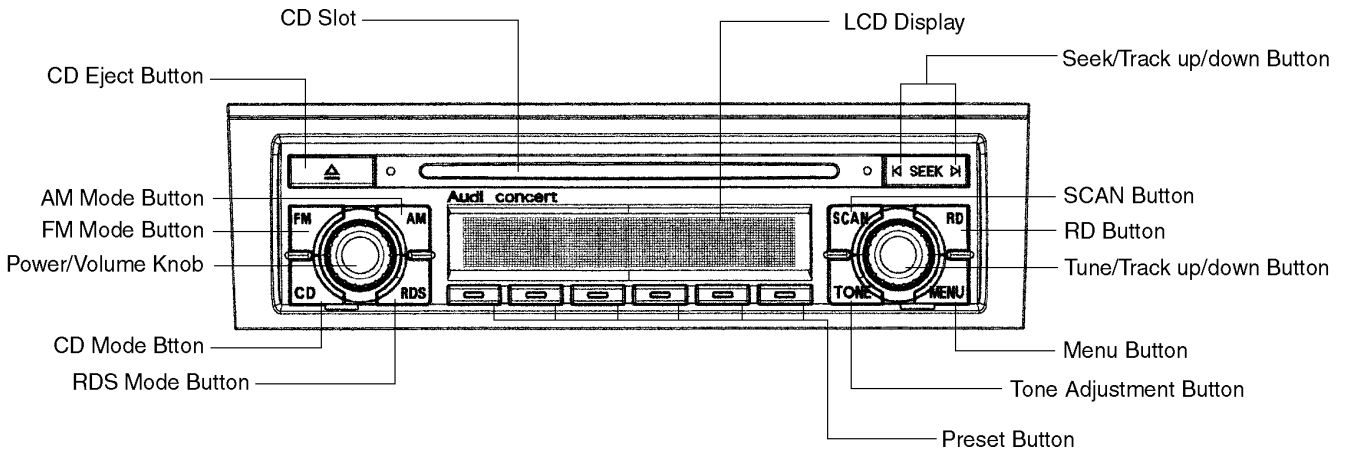
Laser products :

Wave length	780nm
Laser power	No hazardous radiation is emitted with safety protection.

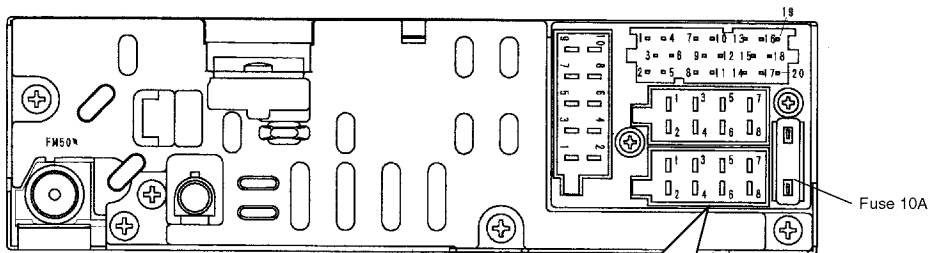
Caution

This product utilizes a laser. Use of controls or adjustments or performance of procedures other than those specified herein may result in hazardous radiation exposure.

4 FRONT VIEW AND FUNCTIONS



5 REAR VIEW AND CONNECTORS



[A]
[B]
[C]
[D]

[A] CONNECTOR

1. Line Rear, Lch Output	11. No Connection
2. Line Rear, Rch Output	12. CAN-BUS L
3. Line Ground	13. CDC Data Input
4. Line Front, Lch Output	14. CDC Data Output
5. Line Front, Rch Output	15. CDC Clock Input
6. Antenna AMP (+) Output	16. Power Supply, +B
7. CAN-BUS H	17. CD Control Output
8. No Connection	18. CD Audio Ground
9. No connection	19. CD Audio Lch Input
10. Ground	20. CD Audio Rch Input

[B] CONNECTOR

1. No Connection
2. No Connection
3. Front SP, Rch (+) Output
4. Front SP, Rch (-) Output
5. Front SP, Lch (+) Output
6. Front SP, Lch (-) Output
7. No Connection
8. No Connection

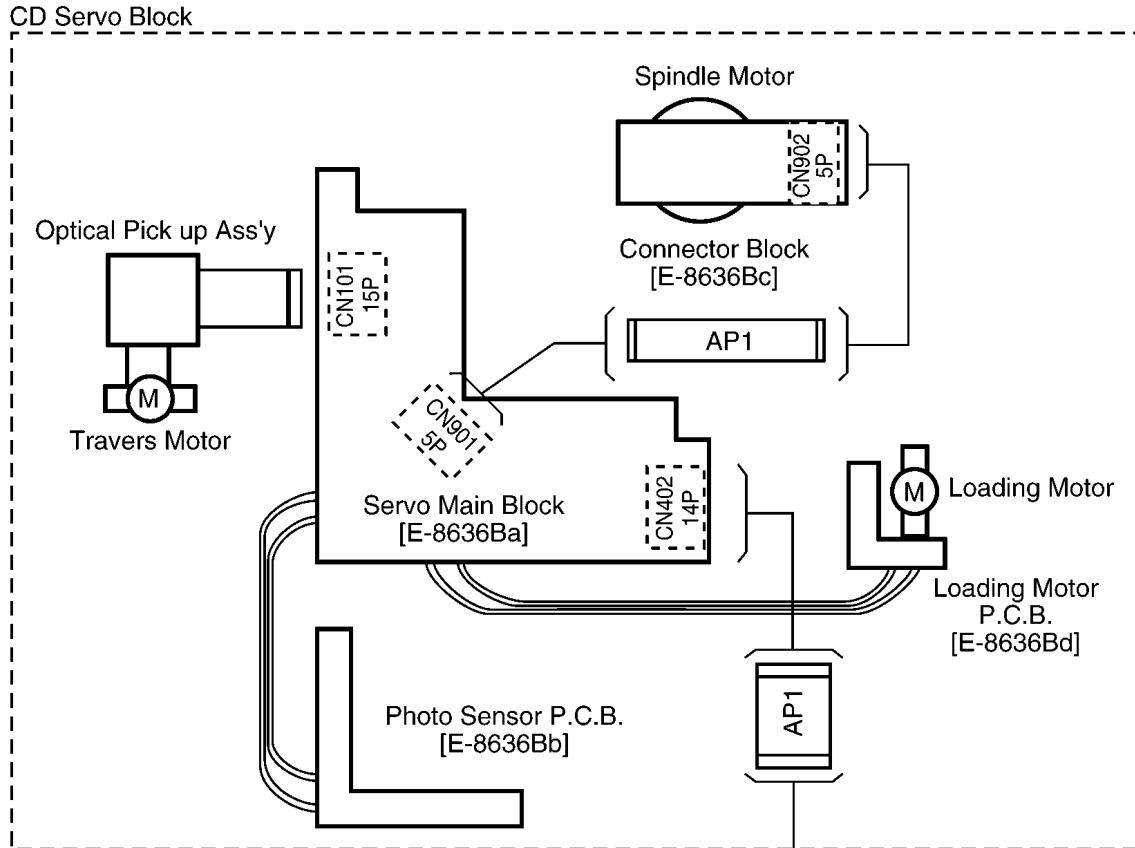
[C] CONNECTOR

1. BOSE Signal Input
2. Alarm Ground
3. K -LINE Output
4. No Connection
5. Active ANT (+) Output
6. No Connection
7. Power Supply, +B
8. Ground

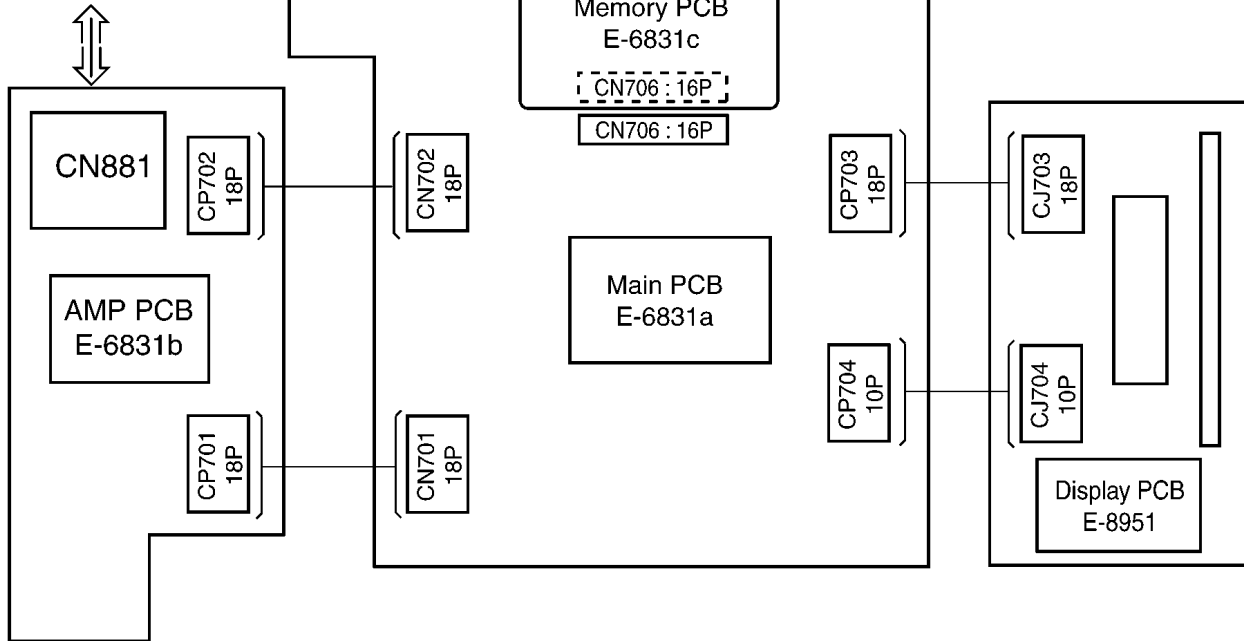
[D] CONNECTOR

1. Telephone Mute Input
2. No Connection
3. Audio TEL/NAVI (+) Input
4. Audio TEL/NAVI (-) Input
5. Audio TEL/NAVI (+) Input
6. Audio TEL/NAVI (-) Input
7. NAVI Control
8. No Connection
9. No Connection
10. No Connection

6 WIRING CONNECTION

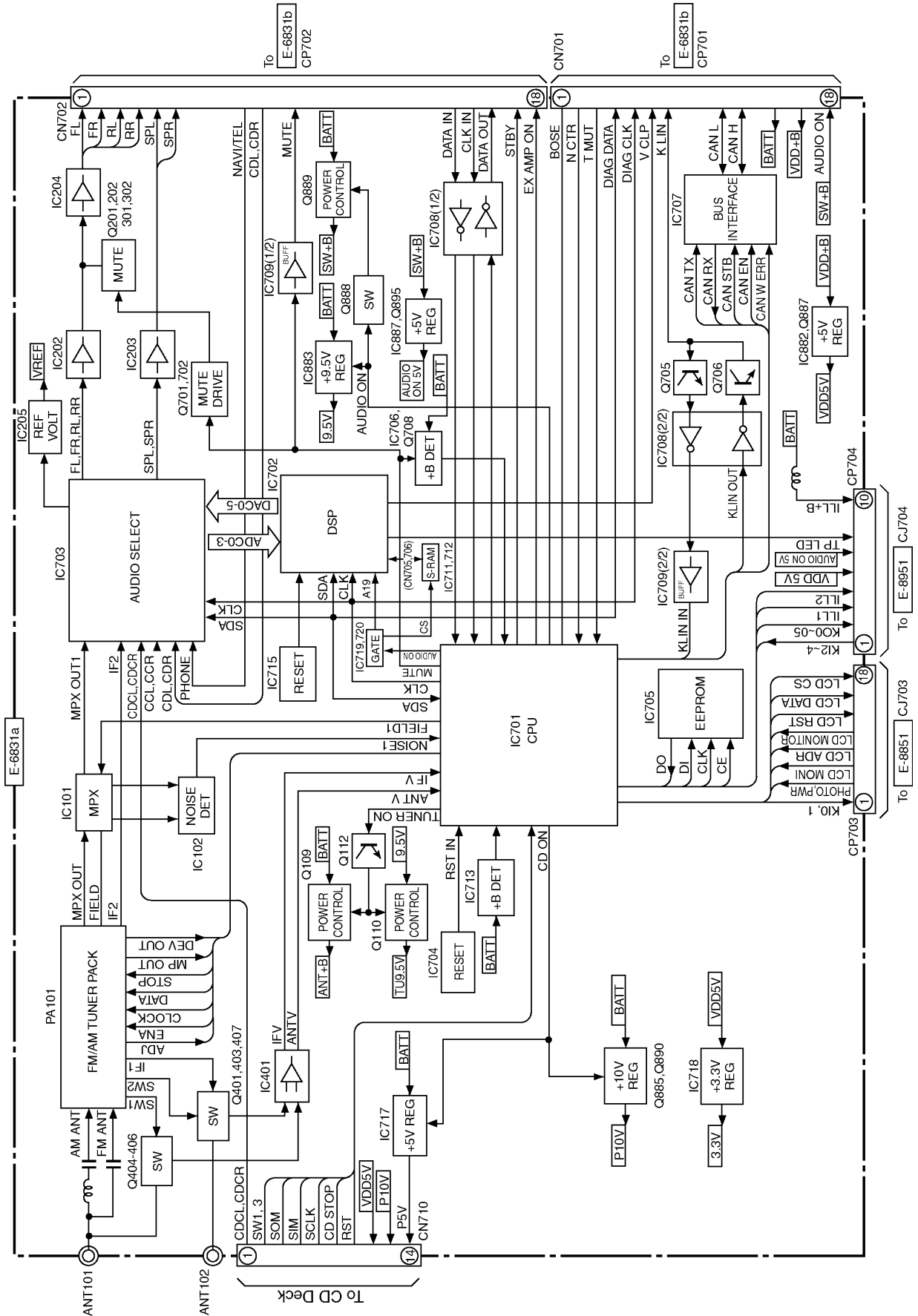


- Power Supply
- Audio Output
- Audio Pre-OUT
- Ext. CD Changer
- CAN-BUS
- Control Signal

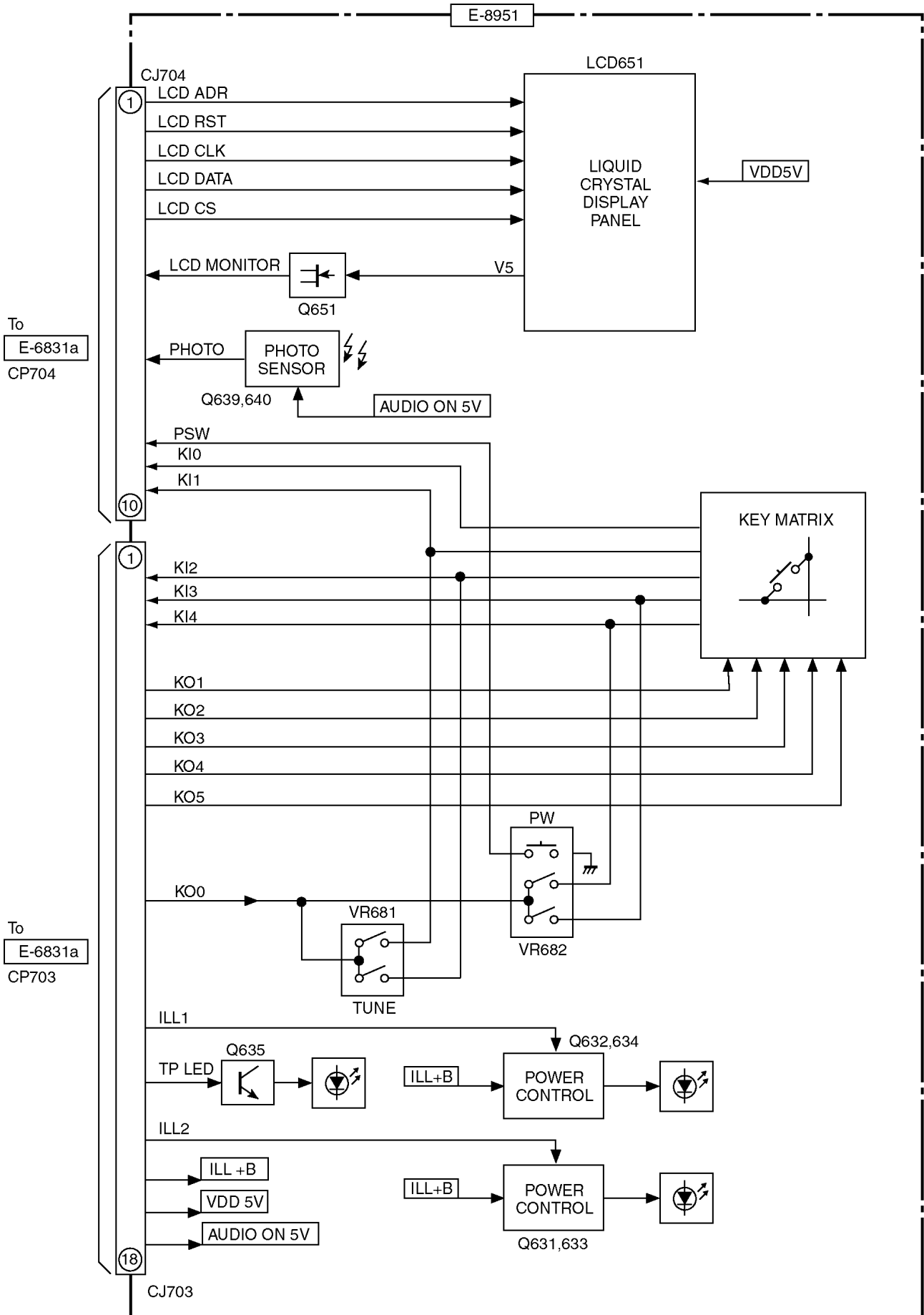


7 BLOCK DIAGRAM

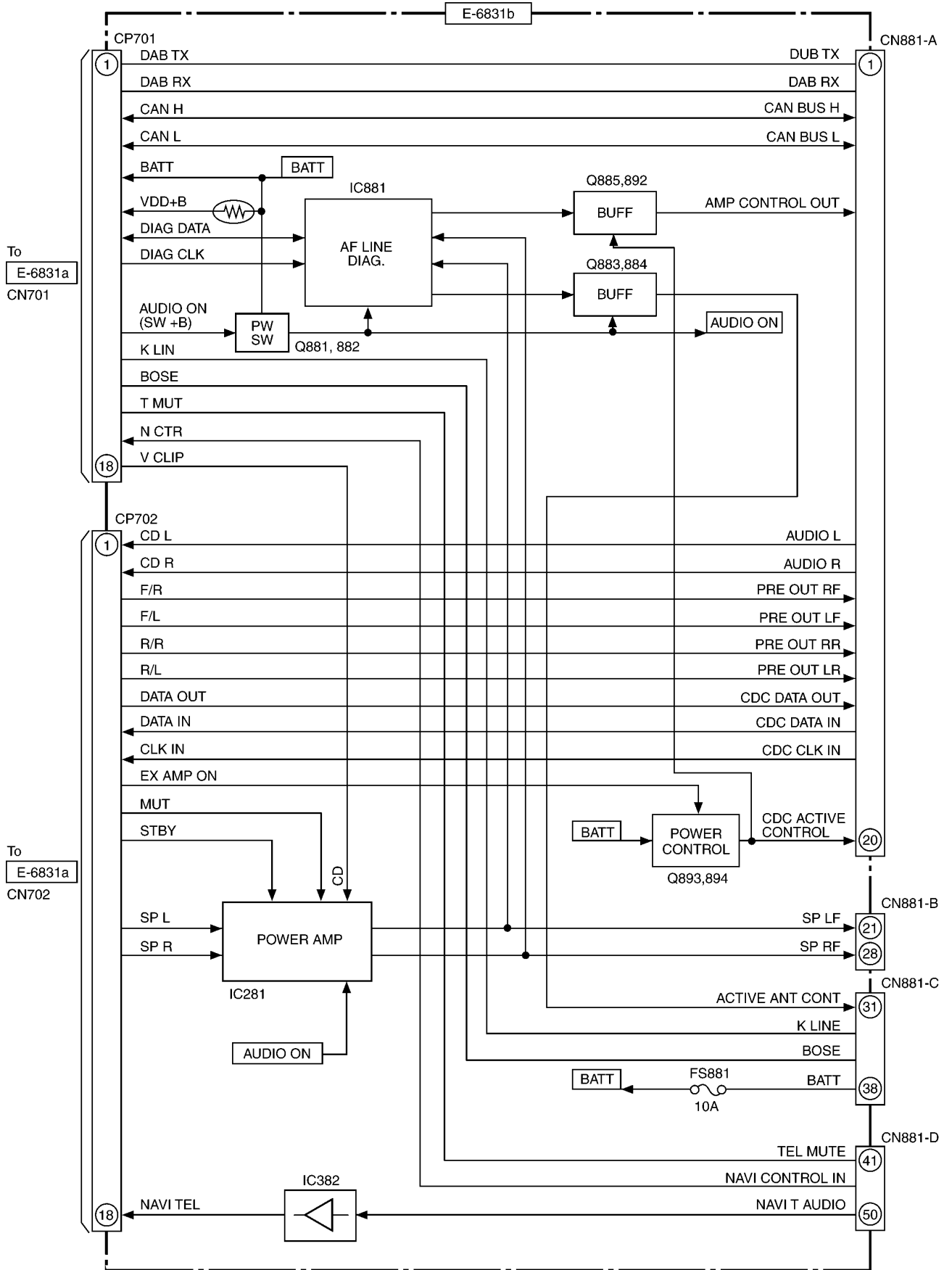
7.1. Main Block



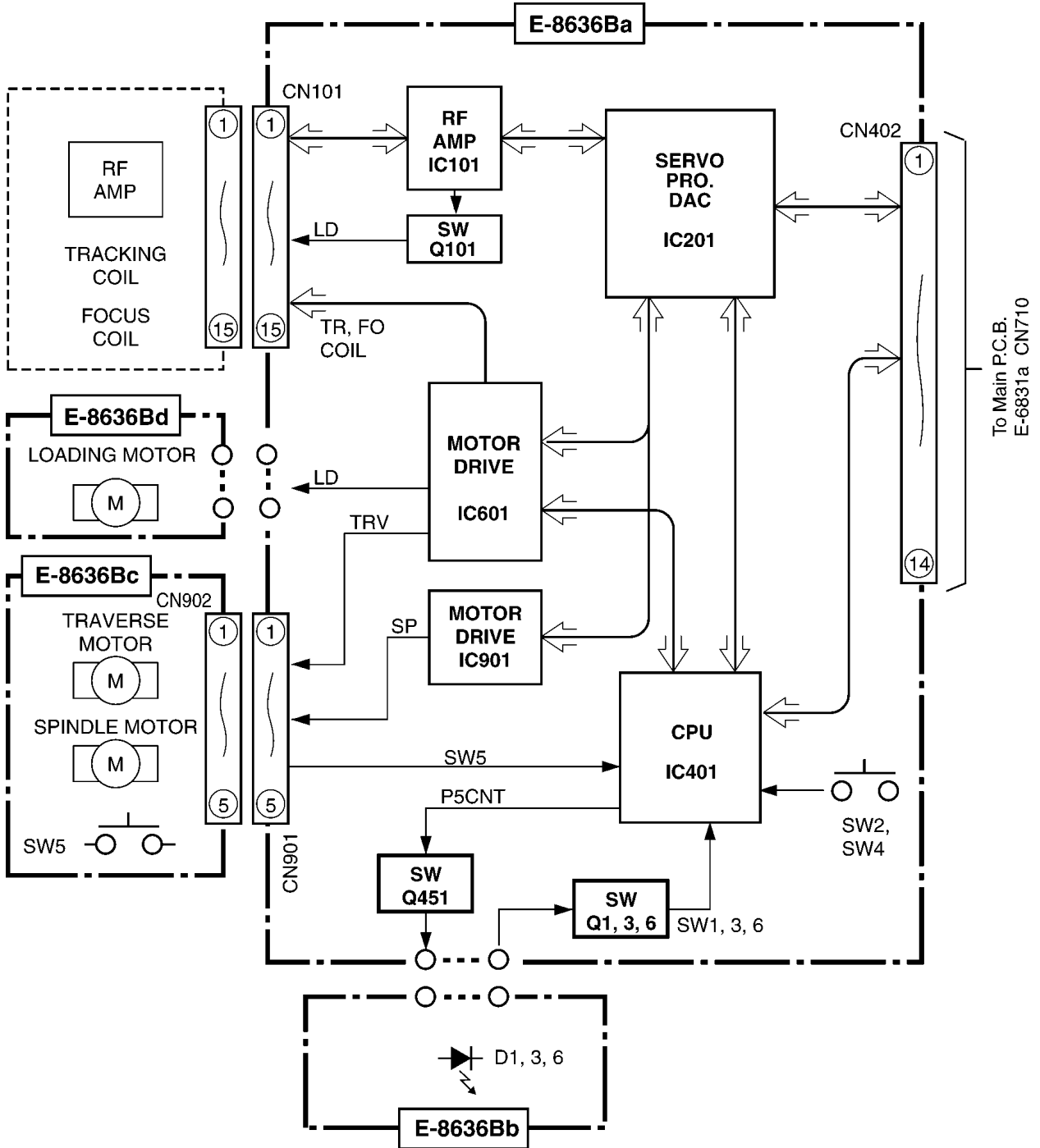
7.2. Display Block



7.3. AMP Block



7.4. CD Servo Block



8 TERMINALS DESCRIPTION

8.1. Main Block

IC701 : C2CBKA000001

Pin No.	Port	Descriptions	I/O (V)	FM (V)	AM (V)	CD (V)
1	/RSTOUT	Not used	-	-	-	-
2	NMI	(Connecting to GND)	-	0	0	0
3	VSS	GND	-	0	0	0
4	VDD	+5V power supply	-	4.8	4.8	4.8
5	ILL1	Illumi control	O	0	0	0
6	ILL2	Illumi. control	O	2	2	1.2
7	TUNER1.ON	Radio power on/off	O	4.8	4.8	4.8
8	TUNER2.ON	Radio power on/off	O	4.8	4.8	4.8
9	DSP.PWN	DSP power cont.	O	0	0	0
10	LCD.ADR	LCD address	O	0	0	0
11	LCDRST	LCD reset	O	4.8	4.8	4.8
12	LCD/E2.CLK	LCD/SEC. data shift clock	O	0	0	0
13	LCD/E2.DT.IN	LCD/SEC. serial data	O	0	0	0
14	E2.DT.OUT	Security data	I	0	0	0
15	E2.CS	Security IC selection	O	0	0	0
16	AUDIO.ON	Audio power on/off	O	4.8	4.8	4.8
17	VSS	GND	-	0	0	0
18	VDD	+5V power supply	-	4.8	4.8	4.8
19	I2C.DATA	DSP/AF.SW data	O	4.8	4.8	4.8
20	I2C.CLK	Data shift clock	O	4.8	4.8	4.8
21	F/E.DATA	Tuner control data	O	0	0	0
22	F/E.CLK	Data shift clock	O	0	0	0
23	F/E.STP	Tuner control	O	2.9	3.7	3.8
24	F/E.ENA	Tuner pack enable	O	0	0	0
25	VSS	GND	-	0	0	0
26	VDD	+5V power supply	-	4.8	4.8	4.8
27	FIELD.1	Field strength detection	I	0.9	0.6	0.6
28	N.C.1.1	Noise level detection	I	0	0	0
29	PHOTO	Photo sensor data	I	1.2	0.8	1.9
30	MP.1	FM multipath interference detection	I	2.9	0	0
31	DEV.1	FM deviation	I	0	2.3	2.3
32	ANT.V	ANT1 current intensity	I	0.5	0.5	0.5
33	IF.V	ANT2 current intensity	I	0	0	0
34	MP	FM multipath interference detection	I	0	0	0
35	VA.REF	+5V power supply	-	4.8	4.8	4.8
36	VA.GND	GND	-	0	0	0
37	NC	No connection	-	-	-	-
38	NC	No connection	-	-	-	-
39	6.1V DET	+B level detection	I	4.8	4.7	4.6
40	+B MONI.	+B level detection	I	2.9	2.8	2.7
41	VSS	GND	-	0	0	0
42	VDD	+5V power supply	-	4.8	4.8	4.8
43	BAT.DET	+B level detection	I	4.8	4.6	4.7
44	P.SW	Power switch	I	4.8	4.3	4.5
45	T.MUTE	Tape mute	O	4.8	4.6	4.6
46	NC	No connection	-	-	-	-
47	CD.A.MUT/CD.SW1	Disc-in SW	I	0	0	0
48	STBY	Power Amp stand-by	O	4.8	4.8	4.8
49	LCD.MONI	LCD	I	4.8	4.3	4.4
50	RDS.CLK	RDS data shift clock	I	1.5	1.5	1.5
51	VSS	GND	-	0	0	0
52	VDD	+5V power supply	-	4.8	4.8	4.8
53	DAB.RX0	Not used	-	-	-	-
54	DAB.TX0	Not used	-	-	-	-
55	NC	No connection	-	-	-	-
56	NC	No connection	-	-	-	-
57	RDS.DATA	RDS data	I	1.1	1.1	1.1
58	NC	No connection	-	-	-	-
59	NC	No connection	-	-	-	-
60	NC	No connection	-	-	-	-
61	CDC.REMO	CD CH remote data	O	4.8	0	0.2
62	CDC.DATA	CD CH data	I	4.8	4.8	4.8
63	KLIN.OUT	K-LINE data	O	4.8	0	4.8

Pin No.	Port	Descriptions	I/O (V)	FM (V)	AM (V)	CD (V)
64	KLIN.IN	K-LINE data	I	4.8	4.8	4.8
65	NC	No connection	-	-	-	-
66	CDC.CLK	CD CH clock	I	4.8	4.8	4.8
67	BOSE	BOSE Amp connection	I	4.8	4.6	4.8
68	VDD	+5V power supply	-	4.8	4.8	4.8
69	VSS	GND	-	0	0	0
70	N.CNTR	NAVI. control	I	4.8	4.6	4.7
71	EXT.AMP.ON	Ext Amp power control	O	0	4.8	4.8
72	CAN.N.ERR	CAN-BUS error	I	4.8	0	4.8
73	CAN.EN	CAN-BUS driver enable	O	0	4.8	0
74	CAN.STB	BUS data strobe	O	0	1.9	0
75	CAN.RX	CAN-BUS data	I	4.8	2.2	2.2
76	CAN.TX	CAN-BUS data	O	4.8	0	2.4
77	CD.RST	CD reset	O	4.8	4.8	4.8
78	VDD	+5V power supply	-	4.8	4.8	4.8
79	VSS	GND	-	0	0	0
80	/RD	Not used	-	-	-	-
81	/WR/WRL	Not used	-	-	-	-
82	/READY	Not used	-	-	-	-
83	ALE	Not used	-	-	-	-
84	/EA	(+5V pull-up)	-	4.8	4.8	4.8
85	MUTE	Mute	O	4.8	4.8	4.8
86	KO.0	Key scan	O	0	0.8	0.8
87	KO.1	Key scan	O	0	0.8	0.7
88	KO.2	Key scan	O	0	0.8	0.7
89	KO.3	Key scan	O	0	0.8	0.7
90	KO.4	Key scan	O	0	0.8	0.7
91	NC	No connection	-	-	-	-
92	NC	No connection	-	-	-	-
93	VDD	+5V power supply	-	4.8	4.8	4.8
94	VSS	GND	-	0	0	0
95	NC	No connection	-	-	-	-
96	KI.0	Key data	I	0	0	0
97	KO.5	Key scan	O	0.7	0.8	0.7
98	NC	No connection	-	-	-	-
99	NC	No connection	-	-	-	-
100	AF.MUTE	AF mute	O	0	0	0
101	NC	No connection	-	-	-	-
102	DSP RESET	DSP reset	O	0	0	0
103	M2	Not used	-	-	-	-
104	NC	No connection	-	-	-	-
105	NC	No connection	-	-	-	-
106	NC	No connection	-	-	-	-
107	CD SW3	Audio mute	I	0	0	0
108	KI.1	Key data	I	0	0.6	0
109	KI.2	Key data	I	1	0.7	0
110	KI.3	Key data	I	1	0.7	0.7
111	VDD	+5V power supply	-	4.8	4.8	4.8
112	VSS	GND	-	0	0	0
113	KI.4	Key data	I	1	0.7	0.7
114	NC	No connection	-	-	-	-
115	CD.SIMO	CD serial data	O	0	0	0
116	CD STP/STA	CD start/stop	O	0	0	4.8
117	CD.SOMI	CD serial data	I	0	4.8	4.3
118	CD.SCKM	CD data shift clock	O	4.8	4.8	4.8
119	CD.ON	CD power control	O	4.8	4.8	4.8
120	NC	No connection	-	-	-	-
121	VDD	+5V power supply	-	4.8	4.8	4.8
122	VSS	GND	-	0	0	0
123	XTAL2	Crystal oscillator	-	2.2	2.2	2.2
124	XTAL1	Crystal oscillator	-	2.1	2.1	2.1
125	VSS	GND	-	0	0	0
126	XTAL3	Crystal oscillator	-	1.2	1.2	1.2
127	XTAL4	Crystal oscillator	-	2	2	2
128	/RSTIN	Reset input	I	4.7	4.7	4.7

Note : Voltage measurements are with respect to ground, with a voltmeter (internal resistance : 10M ohms).

8.2. CD Servo Block

IC201 : MN662748RPMF

Pin No.	Port	Descriptions	I/O	Vol. (V)
1	BCLK	Not used	-	-
2	LRCK	Not used	-	-
3	SRDATA	Not used	-	-
4	DVDD	+5V digital power supply	-	5.0
5	DVSS1	Digital ground	-	0
6	TX	Not used	-	-
7	MCLK	MPU command clock	I	0
8	MDATA	MPU command data	I	0
9	MLD	MPU command load	I	0
10	SENSE	Sense signal	O	0
11	/FLOCK	Focus servo lock	O	0
12	/TLOCK	Tracking servo lock	O	4.9
13	BLKCK	Not used	-	-
14	SQCK	Q code external clock	I	4.9
15	SUBQ	Q code output	O	2.5
16	DMUTE	DSP mute	I	0
17	STAT	DSP Status output	O	3.1
18	/RST	Reset input	I	4.9
19,20		Not used	-	-
21	TRV	Forced traverse output	O	2.5
22	TVD	Traverse drive output	O	2.5
23	PC	Spindle motor control	O	0
24	ECM	Spindle motor drive	O	2.5
25	ECS	Spindle motor drive	O	2.5
26	KICK	Kick pulse output	O	2.5
27	TRD	Tracking motor drive	O	2.5
28	FOD	Focus motor drive	O	2.5
29	VREF	D/A reference voltage	I	2.5
30	FBAL	Focus balance adjust	O	2.5
31	TBAL	Tracking balance adjust	O	2.5
32	FE	Focus error signal	I	2.5
33	TE	Tracking error signal	I	2.5
34	RFENV	RF envelope signal	I	2.5
35	VDET	Vibration detection	I	0
36	OFTR	Off track signal	I	0
37	TRCRS	Track cross signal	I	2.1
38	/RFDET	RF detection signal	I	0
39	BDO	Drop out signal	I	0
40	LDON	Laser on/off control	O	4.5
41	PLL2	Not used	-	-
42	TOFS	TE offset	O	2.5
43	WVEL	Not used	-	-
44	ARE	RF signal	I	1.7
45	IREF	Reference current input	I	1.6
46	DRF	DSL bias	I	0
47	DSL2	DSL loop filter	I/O	2.4
48	PLL1	PLL loop filter	I/O	1.8
49	VCOF	Not used	-	-
50	AVDD2	+5V analog power supply	-	5.0
51	AFSS2	Analog ground	-	0
52	EFM	Not used	-	-
53	PCK/DSL2	DSL bias	I	2.4
54	VCOF2	Tracking offset	O	2.5
55	SUBC	Not used	-	-
56	SBCK	(Connecting to ground)	-	-
57	VSS	Ground	-	0
58	X1	Crystal oscillator	I	1.7
59	X2	Crystal oscillator	O	2.3
60	VDD	+5V power supply	-	5.0
61,62		Not used	-	-
63	FCLK	Not used	-	-
64	IPFLAG	Not used	-	-
65	FLAG	Not used	-	-
66-69		Not used	-	-
70	IOSEL	(Connecting to ground)	I	0
71	/TEST	(Connecting to ground)	I	0
72	AVDD1	+5V analog power supply	-	4.9
73	OUTL	Audio Lch output	O	4.9
74	AVSS1	Analog ground	-	0

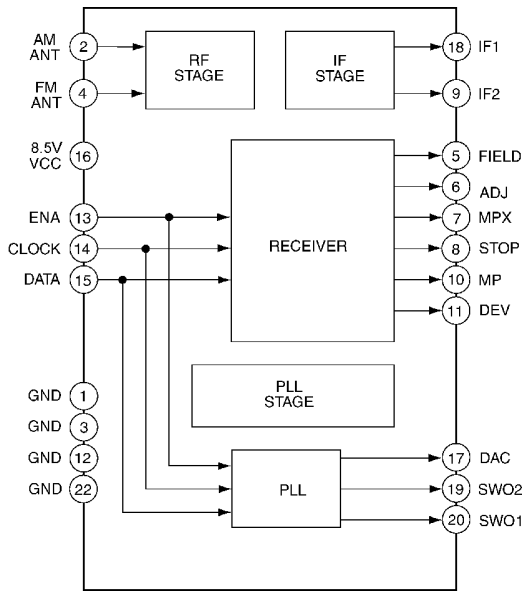
Pin No.	Port	Descriptions	I/O	Vol. (V)
75	OUTR	Audio Rch output	O	4.9
76	RSEL	(Connecting to ground)	-	0
77	CSEL	(Connecting to ground)	-	0
78	PSEL	(Connecting to ground)	-	0
79	MSEL	(Connecting to ground)	-	0
80	SSEL	mode select	I	5.0

IC401 : MN101C117AF

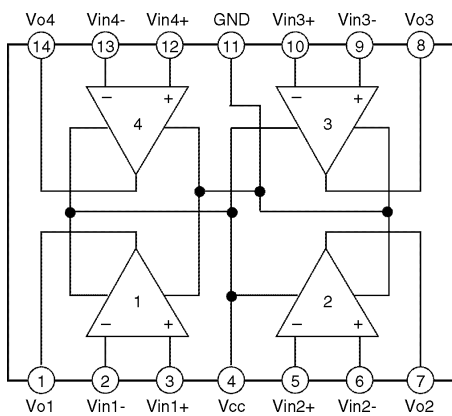
Pin No.	Port	Descriptions	I/O	Vol. (V)
1	MASHON	Servo IC OSC control	O	5.0
2	P82	No connection	-	-
3	P81	No connection	-	-
4	P5CNT	Photo sensor LED on/off	O	0
5	Q1	Photo sensor signal (DISC IN)	I	4.5
6	Q3	Photo sensor signal (DISC OUT)	I	4.2
7	Q6	Photo sensor signal (Option)	I	5.0
8	SW4	Clamp SW signal	I	0
9	SW5	Inner SW signal	I	5.0
10	SW2	Feeder arm SW	I	5.0
11	PA6	(Connection to ground)	-	0
12	PA7/IFR	(Connecting to ground)	I	0
13	VDD	+5V power supply	-	5.0
14	OSC2	Crystal oscillator	-	5.0
15	OSC1	Crystal oscillator	-	3.3
16	VSS	Ground	-	0
17	NC	No connection	-	-
18	SOMI	CD control data	O	3.2
19	SIMO	CD control data	I	3.8
20	SCLM	Data shift clock	I	5.0
21	A.MUTE	Audio mute	O	0
22	BDO	Drop out signal	I	0
23	PC1	Loading motor driver control	O	5.0
24	PS2	Focus/Tracking driver control	O	0
25	VDET	Vibration detecting signal	I	0
26	P14	No connection	-	-
27	CDON	CD on signal	I	5.0
28	IRQ1.SENSE	(Connecting to ground)	-	0
29	IRQ2	(Connecting to ground)	-	0
30	LOD	Loading motor control	-	2.6
31	TRV	Traverse motor control	-	2.5
32	/PRST	Servo IC reset	O	5.0
33	STAT	Status signal	I	4.0
34	DMUTE	DSP mute	O	0
35	SUBQ	Sub code Q data	I	2.6
36	SQCK	Sub code Q clock	O	5.0
37	/TLOCK	Tracking servo lock	I	0
38	/FLOCK	Focus servo lock	I	0
39	NRST	reset input	I	5.0
40	MMOD	(Connecting to ground)	-	0
41	SENSE	Sense signal	I	0
42	MLD	Command load	O	5.0
43	MDATA	Command data	O	0.9
44	MCLK	Command clock	O	4.6

9 PACKAGE AND IC BLOCK DIAGRAM

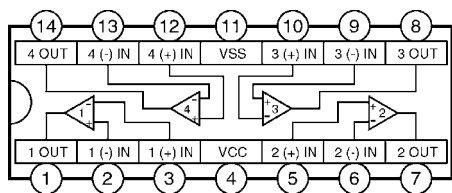
9.1. Main Block



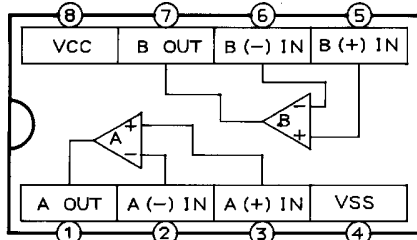
PA101 : J3CCAC000001



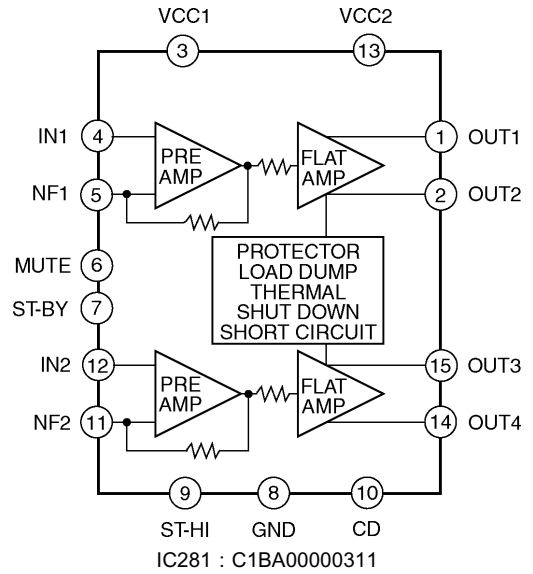
IC101 : AN6564NST1



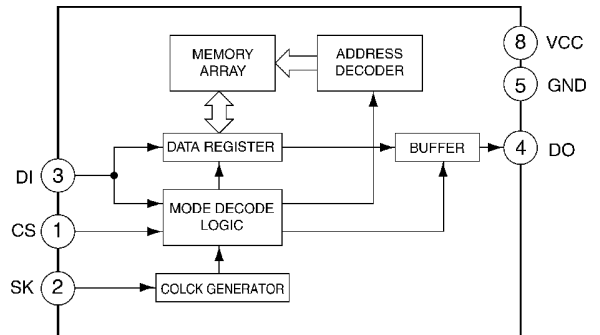
IC102, 202, 204 : C0ABC000032



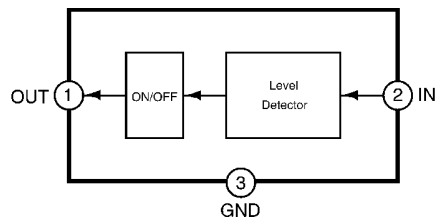
IC203, 205, 382 : YEAMPC4570T1



IC281 : C1BA00000311

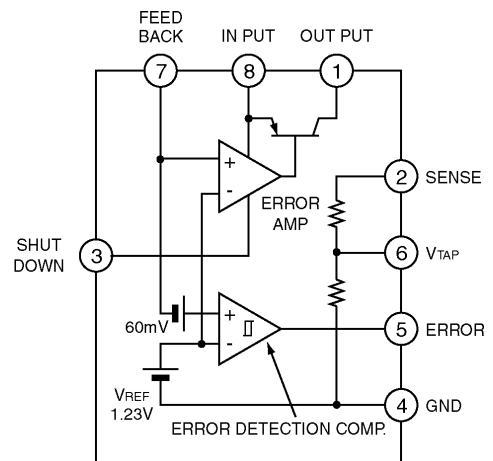


IC705 : C3EBEC000004

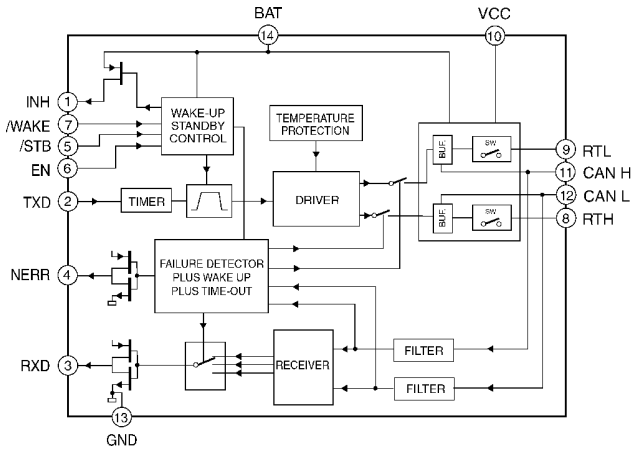


IC704 : MN1382QP

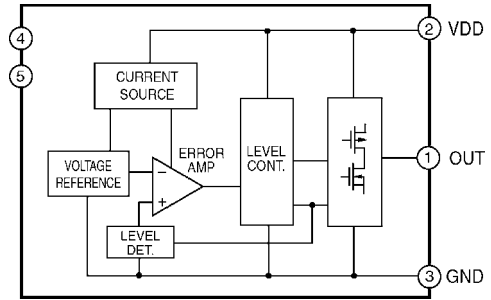
IC715 : MN1382JP



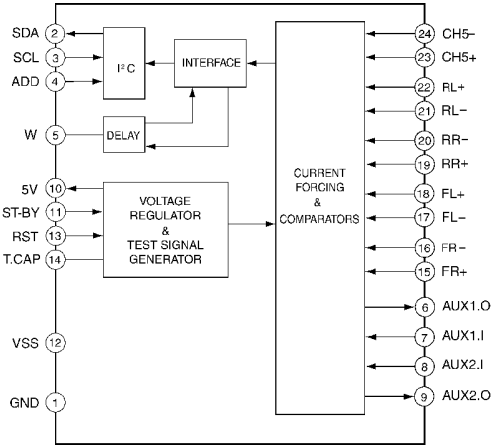
IC706 : YEAM2951MT



IC707 : C1EB0000039

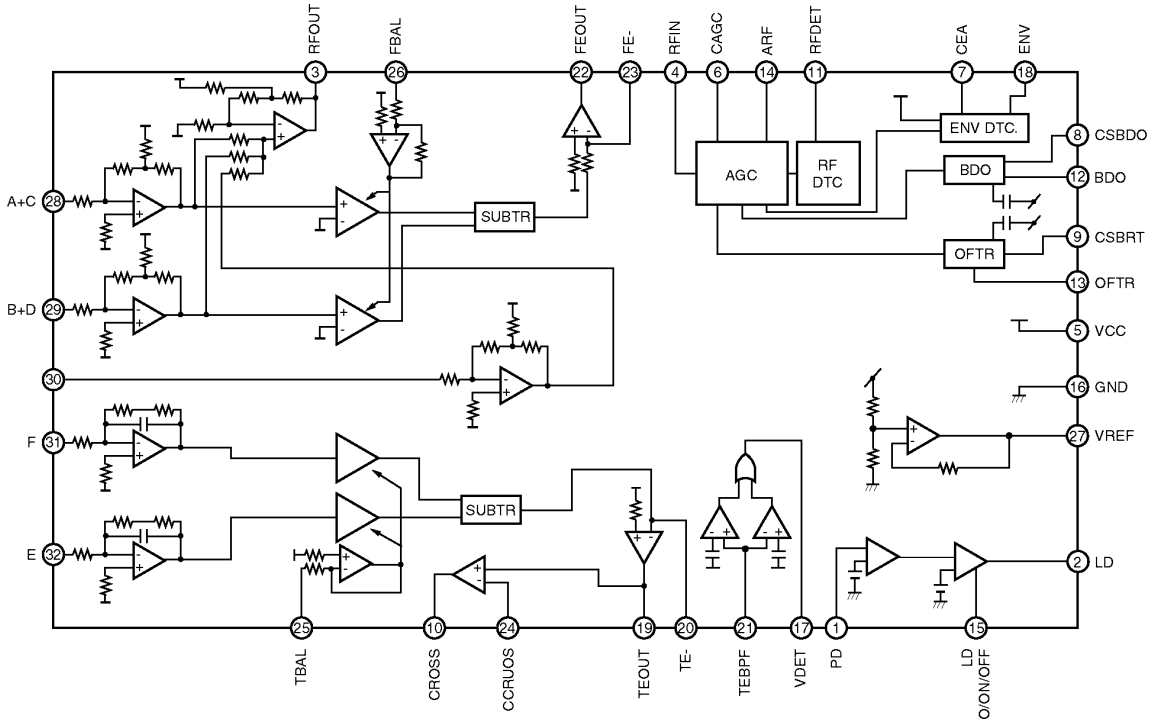


IC713 : C0EBM0000005

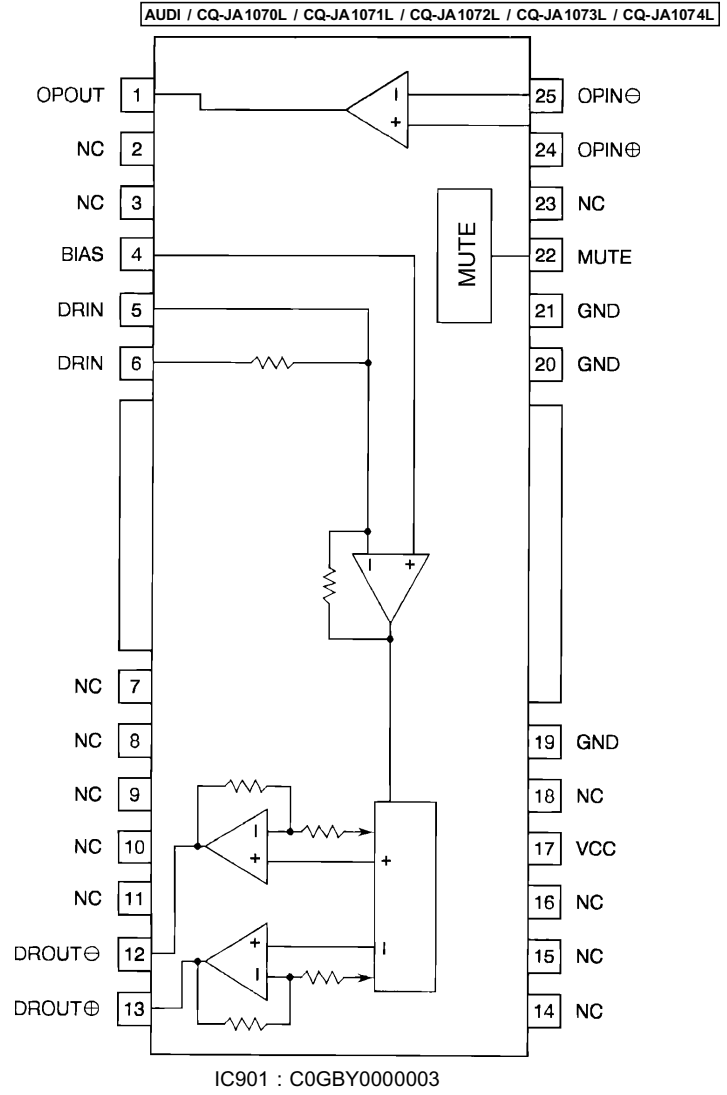
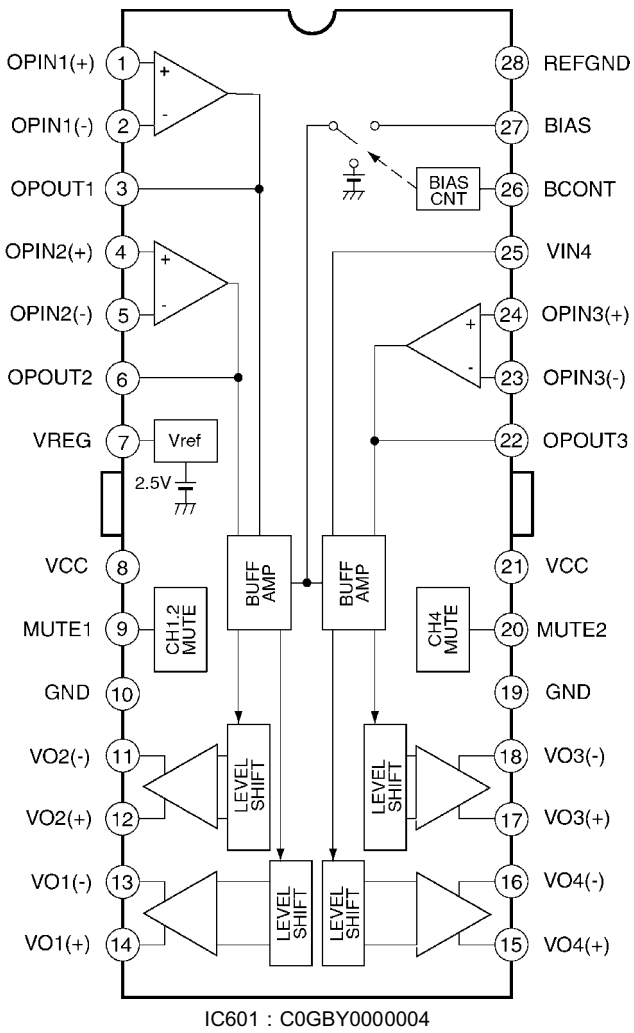


IC881 : C1EB00000054

9.2. CD Servo Block



IC101 : C1BB00000173



10 REPLACEMENT PARTS LIST

Notes :

1. Be sure to make your orders of replacement parts according to this list.
2. Important safety notice: Components, identified by Δ mark have special characteristics important for safety. When replacing any of these components, use only manufacturer's specified parts.
3. Location keys in the remarks column indicates the general location of the parts shown in the exploded drawing, as in a road map.
4. The marking (RTL) indicates that Retention Time is limited for this item. After the discontinuation of assembly in production, the item will continue to be available for a specific period of time. The retention period of availability is dependent on the type of assembly, and in accordance with the laws governing part and product retention. After the end of this period, the assembly will no longer be available.
5. "A", "B", "C", "D" or "E" marks in remarks column are indicated as follows :
 - A : CQ-JA1070L
 - B : CQ-JA1071L
 - C : CQ-JA1072L
 - D : CQ-JA1073L
 - E : CQ-JA1074L

Ref. No.	Part No.	Part Name & Description	Remarks
[E6831] Main/Amp Block			
IC's and TRANSISTORS			
IC101	AN6564NST1	IC	
IC102	C0ABCB000032	IC	
IC202	C0ABCB000032	IC	
IC203	YEAMPC4570T1	IC	
IC204	C0ABCB000032	IC	
IC205	YEAMPC4570T1	IC	
IC281	C1BA00000311	IC	
IC382	YEAMPC4570T1	IC	
IC401	C0ABBA000022	IC	
IC701	C2CBKA000001	IC	
IC702	C2HBZY000010	IC	
IC703	C1BB00000408	IC	
IC704	MN1382QP	IC	
IC705	C3EBEC000004	IC	
IC706	YEAM2951MT	IC	
IC707	C1EB00000039	IC	
IC708	YEAMC14584BE	IC	
IC709	YEAM74HC126F	IC	
IC711	C3BBGC000005	IC	
IC712	C3BBGC000005	IC	
IC713	C0EBM0000005	IC	
IC715	MN1382JP	IC	
IC717	C0DBEMF00001	IC	
IC718	C0CBABA00006	IC	
IC719	C0JBAC000111	IC	
IC720	C0JBAC000111	IC	
IC881	C1EB00000054	IC	
IC882	C0DBZH000007	IC	
IC883	C0DBAHE00007	IC	
IC884	AN7710	IC	
IC885	C0DAAHF00004	IC	
IC887	AN7805F	IC	
PA101	J3CCAC000001	Electronic Tuner	
Q109	2SB10730LL	Transistor	

Ref. No.	Part No.	Part Name & Description	Remarks
Q110	YEANFP1F3PT1	Transistor	
Q112	B1GBCFNN0004	Transistor	
Q201	B1GBHBEA0004	Transistor	
Q202	B1GBHBEA0004	Transistor	
Q301	B1GBHBEA0004	Transistor	
Q302	B1GBHBEA0004	Transistor	
Q401	B1BBAC000007	Transistor	
Q403	B1ABBD000004	Transistor	
Q404	B1BBDG000005	Transistor	
Q405	2SD13280VL	Transistor	
Q406	B1GBCFJN0004	Transistor	
Q407	YEANC114YKX	Transistor	
Q701	B1ABCF000042	Transistor	
Q702	B1GDCFJJ0008	Transistor	
Q705	B1GDCFNN0002	Transistor	
Q706	YEANC3661TB	Transistor	
Q708	YEAN2SK536TB	Transistor	
Q881	B1GBNCEJ0001	Transistor	
Q882	B1GBCFJJ0004	Transistor	
Q883	B1BBDG000005	Transistor	
Q884	2SD13280VL	Transistor	
Q885	2SD13280VL	Transistor	
Q886	B1GBCFJN0004	Transistor	
Q887	2SB1193	Transistor	
Q888	B1GBCFJN0004	Transistor	
Q889	2SB14460HA	Transistor	
Q890	YEANHQ1F3PT1	Transistor	
Q892	B1BBDG000005	Transistor	
Q893	YEANHQ1F3PT1	Transistor	
Q894	B1GBCFJJ0002	Transistor	
Q895	2SB1073TX	Transistor	
Q896	2SB1073TX	Transistor	
DIODES			
D101	MA3X153A0R	Diode	
D102	YEADRD43M2T2	Diode	
D103	MA3X153A0R	Diode	
D109	B0ACCK000005	Diode	
D110	B0ACCK000005	Diode	
D201	MAZ80680ML	Diode	
D202	YEADRB051L40	Diode	
D203	MAZ816000L	Diode	
D204	MAZ816000L	Diode	
D303	MAZ816000L	Diode	
D304	MAZ816000L	Diode	
D401	MAZ80510ML	Diode	
D402	MAZ80510ML	Diode	
D403	B0ACCK000005	Diode	
D404	B0ACCK000005	Diode	
D405	MA2J72900L	Diode	
D406	B0ACCK000005	Diode	
D409	MAZ33600ML	Diode	
D410	MAZ33600ML	Diode	
D709	YEADDEC10DS1	Diode	
D710	MA2J72900L	Diode	
D711	B0ACCK000005	Diode	
D712	B0ACCK000005	Diode	
D723	B0ACCK000005	Diode	
D724	B0ACCK000005	Diode	
D725	B0ACCK000005	Diode	
D726	B0BC5R600014	Diode	
D727	B0ACCK000005	Diode	
D731	B0ACCK000005	Diode	
D733	B0ACCK000005	Diode	
D741	B0ACCK000005	Diode	
D881	YEADDSM3MA2T	Diode	
D884	MAZ80620HL	Diode	
D885	B0ACCK000005	Diode	
D886	B0ACCK000005	Diode	
D887	B0ACCK000005	Diode	
D888	B0ACCK000005	Diode	
D891	B0ACCK000005	Diode	

Ref. No.	Part No.	Part Name & Description	Remarks
R126	ERJ3GEYJ123V	Chip, 12kΩ 1/16W	
R127	ERJ3GEYJ123V	Chip, 12kΩ 1/16W	
R128	ERJ3GEYJ471V	Chip, 470Ω 1/16W	
R129	ERJ3GEYJ561V	Chip, 560Ω 1/16W	
R130	ERJ3GEYJ102V	Chip, 1kΩ 1/16W	
R131	ERJ3GEYJ682V	Chip, 6.8kΩ 1/16W	
R132	ERJ3GEYJ103V	Chip, 10kΩ 1/16W	
R133	ERJ3GEYJ224V	Chip, 220kΩ 1/16W	
R134	ERJ6GEY0R00	Chip, 0Ω 1/10W	
R135	ERJ6GEYJ103	Chip, 10kΩ 1/10W	
R136	ERJ3GEYJ102V	Chip, 1kΩ 1/16W	
R137	ERJ3GEYJ103V	Chip, 10kΩ 1/16W	
R138	ERJ3GEY0R00V	Chip, 0Ω 1/16W	
R193	ERJ14YJ102H	Chip, 1kΩ 1/4W	
R194	ERJ6GEYJ473	Chip, 47kΩ 1/10W	
R202	ERJ6GEYJ102	Chip, 1kΩ 1/10W	
R203	ERJ6GEYJ562	Chip, 5.6kΩ 1/10W	
R204	ERJ3GEYJ103V	Chip, 10kΩ 1/16W	
R205	ERJ3GEYJ822V	Chip, 8.2kΩ 1/16W	
R206	ERJ6GEYJ472	Chip, 4.7kΩ 1/10W	
R207	ERJ6GEYJ472	Chip, 4.7kΩ 1/10W	
R208	ERJ6GEYJ473	Chip, 47kΩ 1/10W	
R209	ERJ6GEYJ473	Chip, 47kΩ 1/10W	
R210	ERJ6GEYJ473	Chip, 47kΩ 1/10W	
R212	ERJ6GEYJ102	Chip, 1kΩ 1/10W	
R213	ERJ6GEYJ562	Chip, 5.6kΩ 1/10W	
R214	ERJ3GEYJ103V	Chip, 10kΩ 1/16W	
R215	ERJ3GEYJ822V	Chip, 8.2kΩ 1/16W	
R216	ERJ6GEYJ472	Chip, 4.7kΩ 1/10W	
R232	ERJ3GEYJ103V	Chip, 10kΩ 1/16W	
R233	ERJ3GEYJ822V	Chip, 8.2kΩ 1/16W	
R235	ERJ6GEYJ102	Chip, 1kΩ 1/10W	
R236	ERJ6GEYJ562	Chip, 5.6kΩ 1/10W	
R237	ERJ6GEYJ4R7	Chip, 4.7Ω 1/10W	
R238	ERJ6GEYJ182	Chip, 1.8kΩ 1/10W	
R239	ERJ6GEYJ122	Chip, 1.2kΩ 1/10W	
R240	ERJ3GEYJ222V	Chip, 2.2kΩ 1/16W	
R241	ERJ3GEYJ222V	Chip, 2.2kΩ 1/16W	
R242	ERJ3GEYJ182V	Chip, 1.8kΩ 1/16W	
R243	ERJ6GEYJ122	Chip, 1.2kΩ 1/10W	
R244	ERJ3GEYJ4R7V	Chip, 4.7Ω 1/16W	
R245	ERJ3GEYJ823V	Chip, 82kΩ 1/16W	
R246	ERJ3GEYJ823V	Chip, 82kΩ 1/16W	
R247	ERJ6GEYJ103	Chip, 10kΩ 1/10W	
R248	ERJ6GEYJ183	Chip, 18kΩ 1/10W	
R249	ERJ3GEY0R00V	Chip, 0Ω 1/16W	
R250	ERJ6GEYJ103	Chip, 10kΩ 1/10W	
R251	ERJ6GEYJ123	Chip, 12kΩ 1/10W	
R283	ERJ8GEYJ392V	Chip, 3.9kΩ 1/8W	
R284	ERJ6GEYJ473	Chip, 47kΩ 1/10W	
R302	ERJ3GEYJ102V	Chip, 1kΩ 1/16W	
R303	ERJ3GEYJ562V	Chip, 5.6kΩ 1/16W	
R304	ERJ6GEYJ103	Chip, 10kΩ 1/10W	
R305	ERJ6GEYJ822	Chip, 8.2kΩ 1/10W	
R306	ERJ6GEYJ472	Chip, 4.7kΩ 1/10W	
R307	ERJ6GEYJ472	Chip, 4.7kΩ 1/10W	
R308	ERJ6GEYJ473	Chip, 47kΩ 1/10W	
R309	ERJ6GEYJ473	Chip, 47kΩ 1/10W	
R310	ERJ6GEYJ473	Chip, 47kΩ 1/10W	
R312	ERJ3GEYJ102V	Chip, 1kΩ 1/16W	
R313	ERJ3GEYJ562V	Chip, 5.6kΩ 1/16W	
R314	ERJ6GEYJ103	Chip, 10kΩ 1/10W	
R315	ERJ6GEYJ822	Chip, 8.2kΩ 1/10W	
R316	ERJ6GEYJ472	Chip, 4.7kΩ 1/10W	
R332	ERJ6GEYJ103	Chip, 10kΩ 1/10W	
R333	ERJ6GEYJ822	Chip, 8.2kΩ 1/10W	
R335	ERJ3GEYJ102V	Chip, 1kΩ 1/16W	
R336	ERJ3GEYJ562V	Chip, 5.6kΩ 1/16W	
R337	ERJ6GEYJ222	Chip, 2.2kΩ 1/10W	
R338	ERJ3GEYJ182V	Chip, 1.8kΩ 1/16W	
R339	ERJ6GEYJ122	Chip, 1.2kΩ 1/10W	
R340	ERJ3GEYJ4R7V	Chip, 4.7Ω 1/16W	
R341	ERJ3GEYJ4R7V	Chip, 4.7Ω 1/16W	

Ref. No.	Part No.	Part Name & Description	Remarks
R342	ERJ3GEYJ182V	Chip, 1.8kΩ 1/16W	
R343	ERJ6GEYJ122	Chip, 1.2kΩ 1/10W	
R344	ERJ3GEYJ222V	Chip, 2.2kΩ 1/16W	
R345	ERJ3GEYJ823V	Chip, 82kΩ 1/16W	
R346	ERJ6GEYJ823	Chip, 82kΩ 1/10W	
R347	ERJ3GEY0R00V	Chip, 0Ω 1/16W	
R379	ERJ6GEYJ823	Chip, 82kΩ 1/10W	
R381	ERJ6GEYJ684	Chip, 680kΩ 1/10W	
R382	ERJ6GEYJ474	Chip, 470kΩ 1/10W	
R383	ERJ8GEYJ392V	Chip, 3.9kΩ 1/8W	
R384	ERJ6GEYJ473	Chip, 47kΩ 1/10W	
R389	ERJ3GEYJ332V	Chip, 3.3kΩ 1/16W	
R390	ERJ3GEYJ103V	Chip, 10kΩ 1/16W	
R391	ERJ3GEYJ103V	Chip, 10kΩ 1/16W	
R392	ERJ3GEYJ561V	Chip, 560Ω 1/16W	
R393	ERJ3GEYJ332V	Chip, 3.3kΩ 1/16W	
R397	ERJ6GEYJ103	Chip, 10kΩ 1/10W	
R398	ERJ6GEYJ102	Chip, 1kΩ 1/10W	
R399	ERJ6GEYJ103	Chip, 10kΩ 1/10W	
R401	ERJ6GEYJ683	Chip, 68kΩ 1/10W	
R402	ERJ6GEYJ392	Chip, 3.9kΩ 1/10W	
R403	ERJ6GEYJ392	Chip, 3.9kΩ 1/10W	
R404	ERJ6RED684V	Metal Film, 680kΩ 1/10W	
R405	ERJ3GEYJ683V	Chip, 68kΩ 1/16W	
R406	ERJ6RED754V	Metal Film, 750kΩ 1/10W	
R407	ERJ3RED364V	Metal Film, 360kΩ 1/16W	
R410	ERJ3RED334V	Metal Film, 330kΩ 1/16W	
R411	ERJ12YJ102H	Chip, 1kΩ 1/2W	
R414	ERJ12YJ561H	Chip, 560Ω 1/2W	
R415	ERJ6GEYJ561	Chip, 560Ω 1/10W	
R416	ERJ6GEYJ223	Chip, 22kΩ 1/10W	
R417	ERJ6GEYJ183	Chip, 18kΩ 1/10W	
R418	ERJ6GEYJ183	Chip, 18kΩ 1/10W	
R419	ERJ6GEYJ681	Chip, 680Ω 1/10W	
R420	ERJ6GEYJ183	Chip, 18kΩ 1/10W	
R421	ERJ3GEYJ273V	Chip, 27kΩ 1/16W	
R422	ERJ3GEYJ273V	Chip, 27kΩ 1/16W	
R423	ERJ12YJ102H	Chip, 1kΩ 1/2W	
R425	ERJ3GEYJ151V	Chip, 150Ω 1/16W	
R426	ERJ12YJ2R7H	Chip, 2.7Ω 1/2W	
R701	ERJ6GEYJ103	Chip, 10kΩ 1/10W	
R702	ERJ3GEYJ473V	Chip, 47kΩ 1/16W	
R703	ERJ6GEYJ473	Chip, 47kΩ 1/10W	
R704	ERJ3GEYJ473V	Chip, 47kΩ 1/16W	
R712	ERJ3GEYJ473V	Chip, 47kΩ 1/16W	
R717	ERJ6GEYJ473	Chip, 47kΩ 1/10W	
R718	ERJ6GEYJ222	Chip, 2.2kΩ 1/10W	
R719	ERJ6GEYJ222	Chip, 2.2kΩ 1/10W	
R720	ERJ3GEYJ103V	Chip, 10kΩ 1/16W	
R721	ERJ3GEYJ103V	Chip, 10kΩ 1/16W	
R723	ERJ6GEYJ473	Chip, 47kΩ 1/10W	
R724	ERJ6GEYJ473	Chip, 47kΩ 1/10W	
R725	ERJ6GEYJ473	Chip, 47kΩ 1/10W	
R726	ERJ6GEYJ102	Chip, 1kΩ 1/10W	
R727	ERJ6GEYJ102	Chip, 1kΩ 1/10W	
R728	ERJ6GEYJ102	Chip, 1kΩ 1/10W	
R729	ERJ3GEYJ103V	Chip, 10kΩ 1/16W	
R730	ERJ3GEYJ103V	Chip, 10kΩ 1/16W	
R731	ERJ6GEYJ103	Chip, 10kΩ 1/10W	
R732	ERJ3GEYJ103V	Chip, 10kΩ 1/16W	
R733	ERJ3GEYJ102V	Chip, 1kΩ 1/16W	
R734	ERJ3GEYJ822V	Chip, 8.2kΩ 1/16W	
R735	ERJ3GEYJ104V	Chip, 100kΩ 1/16W	
R736	ERJ3GEYJ104V	Chip, 100kΩ 1/16W	
R737	ERJ3GEYJ104V	Chip, 100kΩ 1/16W	
R738	ERJ3GEYJ104V	Chip, 100kΩ 1/16W	
R739	ERJ6GEYJ103	Chip, 10kΩ 1/10W	
R740	ERJ3GEYJ102V	Chip, 1kΩ 1/16W	
R741	ERJ3GEYJ102V	Chip, 1kΩ 1/16W	
R742	ERJ6GEYJ473	Chip, 47kΩ 1/10W	
R744	ERJ6GEYJ1R0	Chip, 1.0Ω 1/10W	
R745	ERJ3GEYJ682V	Chip, 6.8kΩ 1/16W	
R746	ERJ6GEY0R00	Chip, 0Ω 1/10W	

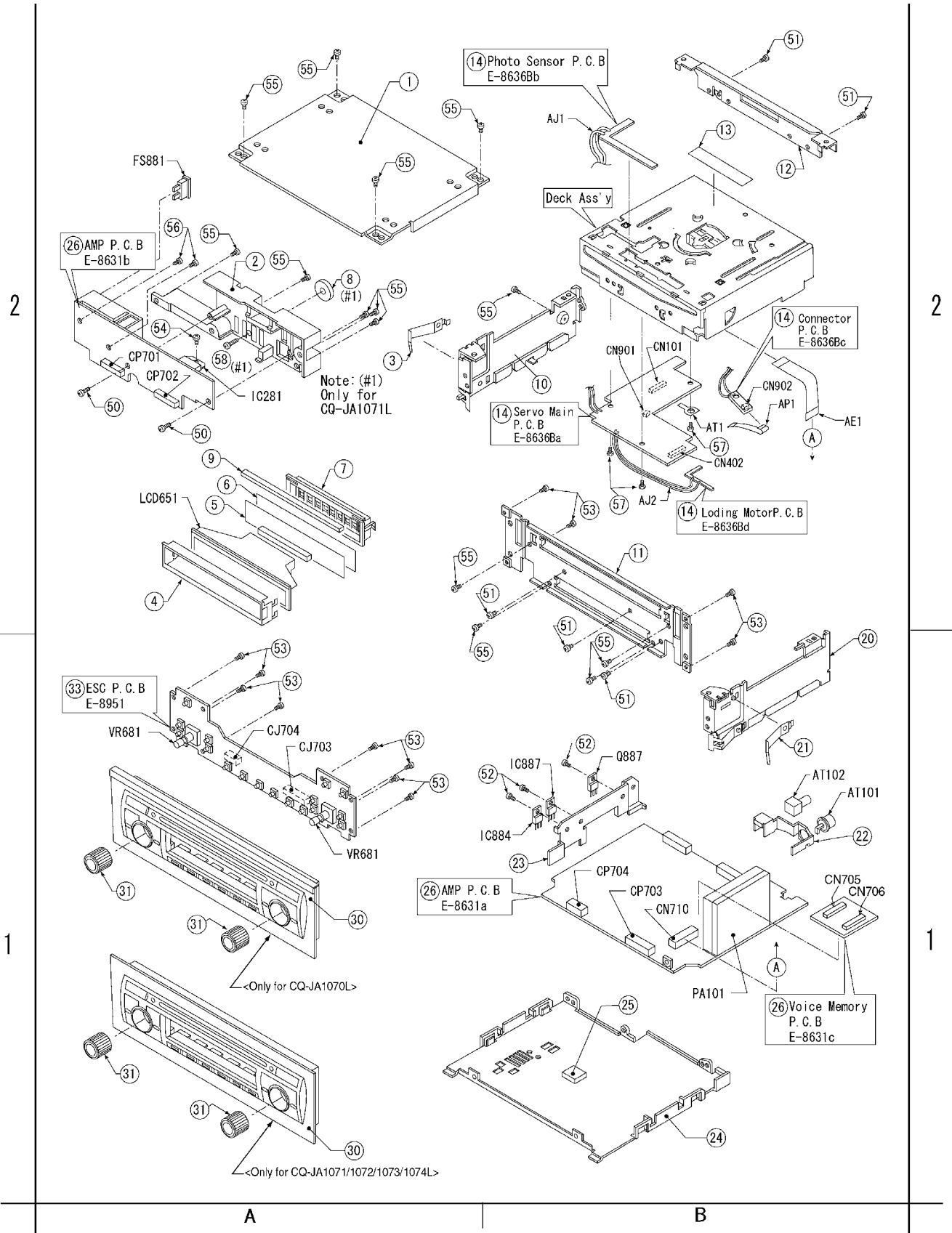
Ref. No.	Part No.	Part Name & Description	Remarks
L729	JOJCC0000030	Coil	
L730	JOJCC0000012	Coil	
L732	JOJCC0000012	Coil	
L733	JOJCC0000012	Coil	
L881	GOA111J00001	Coil	
L882	JOJCC0000012	Coil	
L883	JOJCC0000030	Coil	
R879	JOJCC0000012	Coil	
CRYSTALS			
XL700	HOD419400009	Crystal	
XL701	HOA327200019	Crystal	
XL702	HOD855400002	Crystal	
LAMP			
Z101	YEAL02012T	Neon Lamp	
THERMISTOR			
R890	D4DA61R80001	Thermistor	
NETWORK RESISTORS			
CR503	EXBV8V102JV	Network Resistor	
CR504	EXBV8V102JV	Network Resistor	
CR505	EXBV8V102JV	Network Resistor	
CR506	EXBV8V102JV	Network Resistor	
CR509	EXBV8V102JV	Network Resistor	
CR510	EXBV8V102JV	Network Resistor	
CR511	EXBV8V102JV	Network Resistor	
CR512	EXBV8V102JV	Network Resistor	
FILTER			
CS881	YECCL55S222T	Filter	
[E8951] Display Block			
IC's and TRANSISTORS			
Q631	YEANCL14YKTX	Transistor	
Q632	YEANCL14YKTX	Transistor	
Q633	YEANFP1F3PT1	Transistor	
Q634	YEANFP1F3PT1	Transistor	
Q635	YEANCL14YKTX	Transistor	
Q639	YEANSFH320T	Transistor	
Q640	B1ABCF000044	Transistor	
Q651	YEAN2SK536TB	Transistor	
DIODES			
D501	YEADLST676T	Diode	
D502	YEADLST676T	Diode	
D503	YEADLST676T	Diode	
D504	YEADLST676T	Diode	
D505	YEADLST676T	Diode	
D506	YEADLST676T	Diode	
D507	YEADLST676T	Diode	
D508	YEADLST676T	Diode	
D509	YEADLST676T	Diode	
D510	YEADLST676T	Diode	
D511	YEADLST676T	Diode	
D512	YEADLST676T	Diode	
D513	YEADLST676T	Diode	
D514	YEADLST676T	Diode	
D516	YEADLST676T	Diode	
D517	YEADLST676T	Diode	
D524	YEADLST676T	Diode	
D525	YEADLST676Q2	Diode	
D526	YEADLST676Q2	Diode	
D527	YEADLST676Q2	Diode	

Ref. No.	Part No.	Part Name & Description	Remarks
D528	YEADLST676Q2	Diode	
D529	YEADLST676Q2	Diode	
D530	YEADLST676Q2	Diode	
D531	YEADLST676Q2	Diode	
D532	YEADLST676Q2	Diode	
D533	YEADLST676Q2	Diode	
D534	YEADLST676Q2	Diode	
D535	YEADLST676Q2	Diode	
D536	YEADLST676Q2	Diode	
D537	YEADLST676Q2	Diode	
D538	YEADLST676Q2	Diode	
D539	YEADLST676Q2	Diode	
D540	YEADLST676Q2	Diode	
D541	YEADLST676Q2	Diode	
D542	YEADLST676Q2	Diode	
D543	YEADLST676Q2	Diode	
D544	YEADLST676Q2	Diode	
D545	YEADLST676Q2	Diode	
D546	YEADLST676Q2	Diode	
D547	YEADLST676Q2	Diode	
D548	YEADLST676Q2	Diode	
D549	B0ACCK000005	Diode	
D550	B0ACCK000005	Diode	
D551	B0ACCK000005	Diode	
D552	B0ACCK000005	Diode	
D553	YEADLST676Q2	Diode	
D554	YEADLST676Q2	Diode	
D555	YEADLST676Q2	Diode	
D556	YEADLST676Q2	Diode	
D557	YEADLST676T	Diode	
D558	YEADLST676T	Diode	
D559	YEADLST676T	Diode	
D560	YEADLST676T	Diode	
D561	YEADLST676T	Diode	
D562	YEADLST676T	Diode	
D565	B0ACCK000005	Diode	
D566	B0ACCK000005	Diode	
D567	B0ACCK000005	Diode	
D568	B0ACCK000005	Diode	
D651	B0ACCK000005	Diode	
D652	MAZ805600L	Diode	
D702	B0ACCK000005	Diode	
D703	B0ACCK000005	Diode	
D704	B0ACCK000005	Diode	
D705	B0ACCK000005	Diode	
D706	B0ACCK000005	Diode	
D707	B0ACCK000005	Diode	
CAPACITORS			
C651	YECUS1C105ZF	Ceramic, 1 μ F 16WV	
C652	F1J1H103A509	Ceramic, 0.01 μ F 50WV	
C658	YECUS1C224KX	Ceramic, 0.22 μ F 16WV	
C659	YECUS1C224KX	Ceramic, 0.22 μ F 16WV	
C660	YECUS1C224KX	Ceramic, 0.22 μ F 16WV	
C661	YECUS1C224KX	Ceramic, 0.22 μ F 16WV	
C662	YECUS1C224KX	Ceramic, 0.22 μ F 16WV	
C664	ECSH1CX335CR	Tantalum, 3.3 μ F 16WV	
C666	ECSH1CX335CR	Tantalum, 3.3 μ F 16WV	
C668	YECUS1C334KX	Ceramic, 0.33 μ F 16WV	
RESISTORS			
R632	ERJ8GEYJ682V	Chip, 6.8k Ω 1/8W	
R633	ERJ8GEYJ392V	Chip, 3.9k Ω 1/8W	
R634	ERJ8GEYJ472V	Chip, 4.7k Ω 1/8W	
R635	ERJ8GEYJ682V	Chip, 6.8k Ω 1/8W	
R636	ERJ8GEYJ472V	Chip, 4.7k Ω 1/8W	
R637	ERJ8GEYJ562V	Chip, 5.6k Ω 1/8W	
R638	ERJ8GEYJ122V	Chip, 1.2k Ω 1/8W	
R640	ERJ8GEYJ821V	Chip, 820 Ω 1/8W	
R641	ERJ8GEYJ821V	Chip, 820 Ω 1/8W	
R642	ERJ8GEYJ821V	Chip, 820 Ω 1/8W	

Ref. No.	Part No.	Part Name & Description	Remarks
RESISTORS			
J403	ERJ3GEY0R00V	Chip, 0Ω 1/16W	
J423	ERJ3GEY0R00V	Chip, 0Ω 1/16W	
R101	ERJ3GEYJ101V	Chip, 100Ω 1/16W	
R102	ERJ14YJ330H	Chip, 33Ω 1/4W	
R103	ERJ3GEYJ683V	Chip, 68kΩ 1/16W	
R104	ERJ3GEYJ683V	Chip, 68kΩ 1/16W	
R105	ERJ3GEYJ333V	Chip, 33kΩ 1/16W	
R106	ERJ3GEYJ184V	Chip, 180kΩ 1/16W	
R107	ERJ3GEYJ184V	Chip, 180kΩ 1/16W	
R108	ERJ3GEYJ823V	Chip, 82kΩ 1/16W	
R109	ERJ3GEYJ334V	Chip, 330kΩ 1/16W	
R110	ERJ3GEYJ102V	Chip, 1kΩ 1/16W	
R111	ERJ3GEYJ102V	Chip, 1kΩ 1/16W	
R112	ERJ3GEYJ393V	Chip, 39kΩ 1/16W	
R113	ERJ3GEYJ333V	Chip, 33kΩ 1/16W	
R114	ERJ3GEYJ153V	Chip, 15kΩ 1/16W	
R119	ERJ3GEYJ184V	Chip, 180kΩ 1/16W	
R120	ERJ3GEYJ333V	Chip, 33kΩ 1/16W	
R147	ERJ3GEYJ153V	Chip, 15kΩ 1/16W	
R207	ERJ3GEYJ473V	Chip, 47kΩ 1/16W	
R208	ERJ3GEYJ473V	Chip, 47kΩ 1/16W	
R209	ERJ3GEYJ391V	Chip, 390Ω 1/16W	
R210	ERJ3GEYJ334V	Chip, 330kΩ 1/16W	
R211	ERJ3GEYJ124V	Chip, 120kΩ 1/16W	
R213	ERJ3GEYJ470V	Chip, 47Ω 1/16W	
R214	ERJ3GEYJ272V	Chip, 2.7kΩ 1/16W	
R215	ERJ3GEYJ473V	Chip, 47kΩ 1/16W	
R401	ERJ3GEYJ563V	Chip, 56kΩ 1/16W	
R402	ERJ3GEYJ563V	Chip, 56kΩ 1/16W	
R404	ERJ3GEYJ473V	Chip, 47kΩ 1/16W	
R411	ERJ3GEYJ334V	Chip, 330kΩ 1/16W	
R454	ERJ6GEYJ271	Chip, 270Ω 1/10W	
R456	ERJ3GEYJ472V	Chip, 4.7kΩ 1/16W	
R461	ERJ3GEYJ823V	Chip, 82kΩ 1/16W	
R463	ERJ3GEYJ823V	Chip, 82kΩ 1/16W	
R466	ERJ3GEYJ823V	Chip, 82kΩ 1/16W	
R471	ERJ8GEYJ121V	Chip, 120Ω 1/8W	
R473	ERJ8GEYJ121V	Chip, 120Ω 1/8W	
R476	ERJ8GEYJ121V	Chip, 120Ω 1/8W	
R477	ERJ8GEY0R00V	Chip, 0Ω 1/8W	
R481	ERJ3GEYJ104V	Chip, 100kΩ 1/16W	
R601	ERJ3GEYJ123V	Chip, 12kΩ 1/16W	
R602	ERJ3GEYJ103V	Chip, 10kΩ 1/16W	
R603	ERJ3GEYJ273V	Chip, 27kΩ 1/16W	
R604	ERJ3GEYJ124V	Chip, 120kΩ 1/16W	
R605	ERJ3GEYJ103V	Chip, 10kΩ 1/16W	
R606	ERJ3GEYJ822V	Chip, 8.8kΩ 1/16W	
R607	ERJ3GEYJ103V	Chip, 10kΩ 1/16W	
R608	ERJ3GEYJ103V	Chip, 10kΩ 1/16W	
R609	ERJ3GEYJ472V	Chip, 4.7kΩ 1/16W	
R610	ERJ3GEYJ472V	Chip, 4.7kΩ 1/16W	
R613	ERJ3GEYJ122V	Chip, 1.2kΩ 1/16W	
R901	ERJ3GEYJ103V	Chip, 10kΩ 1/16W	
R902	ERJ3GEYJ333V	Chip, 33kΩ 1/16W	
R903	ERJ3GEYJ122V	Chip, 1.2kΩ 1/16W	
CONNECTORS			
CN101	YEAESFW15R2E	Connector, 15P	
CN401	K1MN14B00028	Connector, 14P	
CN901	K1MN05B00010	Connector, 5P	
CN902	K1MN05B00009	Connector, 5P	
SWITCHES			
SW2	ESE102MH2	Switch	
SW4	YEAS09275	Switch	
COIL			
L451	YELTBLM21A10	Coil	

Ref. No.	Part No.	Part Name & Description	Remarks
CRYSTALS			
XL201	H2D169500005	Crystal	
XL451	YEXLSTCC419T	Crystal	
Mechanical Parts			
MISCELLANEOUS			
FS881	K5Y103200001	Fuse, 10A	
AJ1	YEAJ071287	Cord w/Plug	
AJ2	YEAJ071285	Cord w/Plug	
AP1	YEA2P2711	Flexible Printed Circuit	
AT1	YEATSD00405	Terminal	
AE1	MGCAB00005	Flat Wire	
ANT101	K1ZZ00001003	Antenna Receptacle	
ANT102	K1ZZ00001151	Antenna Receptacle	
AT701	YEFX0213797	Bracket, GND	
1	MGCFA00027B	Upper Cover	
2	MGCFF00002A	Heat Sink	A, C, D, E
2	MGCFF00004A	Heat Sink	B
3	YEFX0052186	Spring (L)	
4	MGCFX00017	LCD Case	
5	MGCFV00002	Spread Plate (White)	
6	MGCFV00001	Spread Plate (Red)	
7	MGCFF00001	LCD Holder	
8	MGCFL00002	Rubber Disc	B
9	MGCFS00004	Pad	
10	MGCFA00003A	Side Plate (L) Ass'y	
11	MGCFA00002A	Front Plate	
12	MGCFA00005	Bracket, CD Deck	
13	YEFM031083	Laser Seal	
14	MGCFF00015	PCB w/Component	RTL
20	MGCFA00002A	Side Plate (R) Ass'y	
21	YEFX0052187	Spring (R)	
22	MGCFA00014	Bracket, ANT	
23	MGCFA00006	IC Heat Sink	
24	MGCFA00028A	Bottom Cover	
25	YEF011772	Pad	
26	YEP0PT6831Z0	PCB w/Component	RTL, A, C, D, E
26	YEP0PT6831Y0	PCB w/Component	RTL, B
30	MGCFC00004	Escucheon Ass'y	A
30	MGCFC00006	Escucheon Ass'y	B
30	MGCFC00011	Escucheon Ass'y	C
30	MGCFC00008A	Escucheon Ass'y	D
30	MGCFC00011	Escucheon Ass'y	E
31	MGCFF00002	Knob Ass'y	A, D, E
31	MGCFF00003	Knob Ass'y	B
31	MGCFF00164	Knob Ass'y	C
33	YEP0PT8851Z0	PCB w/Component	RTL, A, B, D, E
33	YEP0PT8851V0	PCB w/Component	RTL, C
50	YEJT03120	Tapping Screw, M3x8mm	
51	YEJT03131	Tapping Screw, M2.6x5mm	
52	YEJS06017	Screw, M3x8mm	
53	XTB2+8GFZ	Tapping Screw, M2x8mm	
54	XTB3+8JFX	Tapping Screw, M3x8mm	
55	XTB3+8FFX	Tapping Screw, M3x8mm	
56	XYN26+C8FX	Screw, M2.6x8mm	
57	XYN2+J4FX	Screw, M2x4mm	
58	YESJS01158	Screw, M5x25mm	B

11 EXPLODED VIEW (Unit)

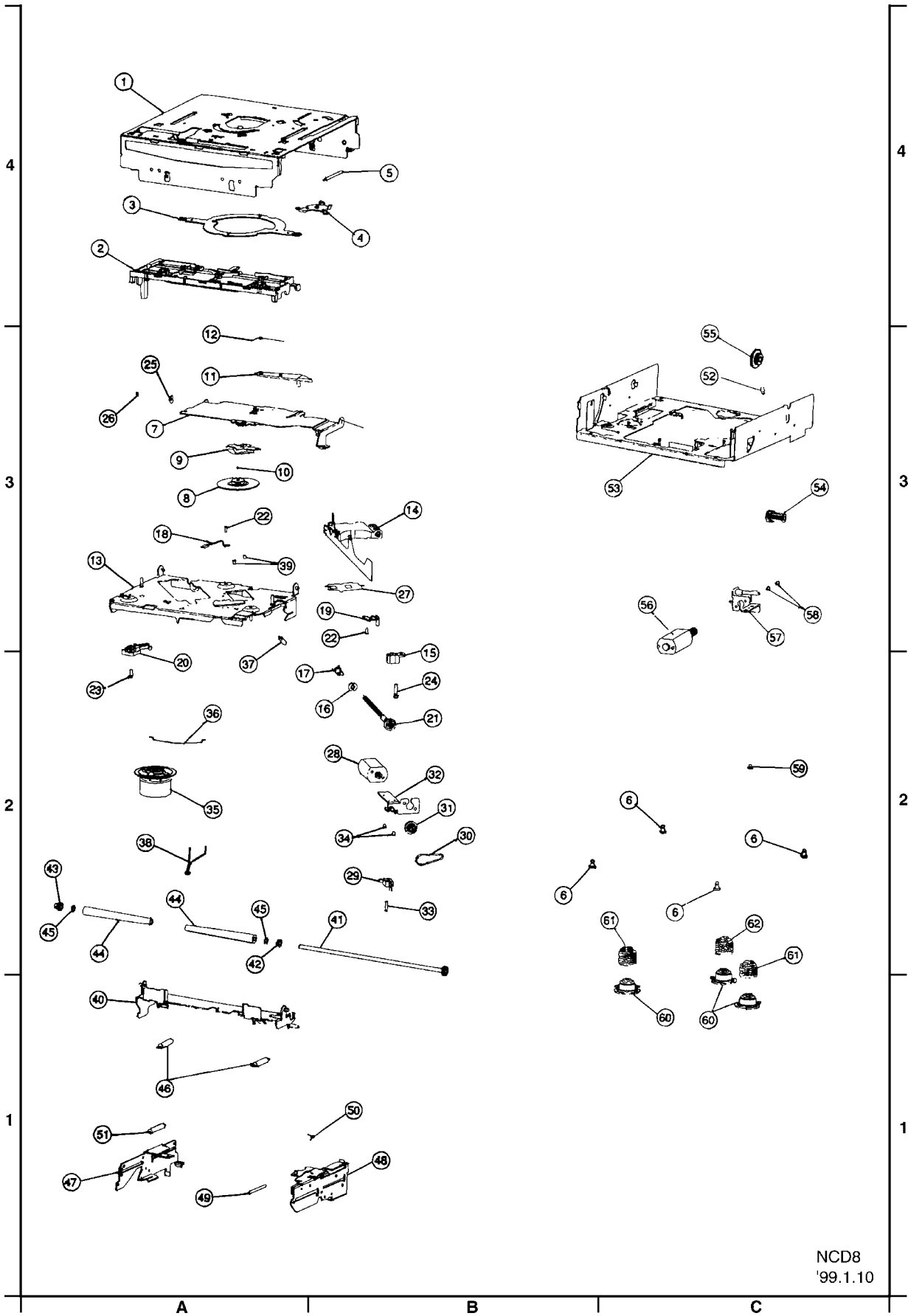


12 CD PLAYER PARTS

MISCELLANEOUS

Ref. No.	Part No.	Part Name & Description	Remarks
1	YGFA011781	Upper Chassis	(4-A)
2	YGFX236153	Disk Guide	(4-A)
3	YGFX0462017	Link Lever	(4-A)
4	YGFX0462018	Detection Lever (2)	(4-B)
5	YGFX0052357	Detection Lever (2) Spring	(4-B)
6	YEJT03131	Tapping Screw, 2.6 mm* 5mm	(2-C) (2-B)
7	YGFX249461	Clamp Arm	(3-A)
8	YGFX007640	Clamper	(3-A)
9	YGFX0052363	Clamper Spring Plate	(3-A)
10	YEFX999957	Ball Bearing	(3-A)
11	YGFX0462013	Detection Lever (1)	(3-A)
12	YGFX0052352	Detection Lever (1) Spring	(3-A)
13	YGFA011795	Suspension Chassis Ass'y	(3-A)
14	YEP0FX3100	Optical Pick-up Ass'y	(3-B)
15	YEFW04150	Feed Screw Housing A	(2-B)
16	YEFW04137A	Feed Screw Housing B	(2-B)
17	YGFX0052386	Thrust Adjusting Spring	(2-B)
18	YEFX236144B	Traverse Guide	(3-A)
19	YGFX9992027	Feed Screw Carrier	(3-B)
20	YEFX9991458A	FPC Holder	(2-A)
21	YGJT03240	Traverse Gear Ass'y	(2-B)
22	YEJS02037	Screw, (Pick-up)	(3-A) (3-B)
23	XYN2+C5FX	Screw, (FPC) 2mm * 5mm	(2-A)
24	XYN2+J10FX	Screw, (Housing) 2mm * 10m	(2-B)
25	YEFX0051590	Spring Washer	(3-A)
26	XUC15V	Retaining Ring, 1.5mm	(3-A)
27	YEFX9991806A	Sealed Plate	(3-B)
28	YGPOFX3503	Traverse Motor Ass'y	(2-B)
29	YEAS23151A	Inner Switch	(2-B)
30	YEFRO3080	Rubber Belt	(2-B)
31	YEFX026124A	Idler Pulley	(2-B)
32	YGFX018611	Motor Bracket Ass'y	(2-B)
33	YEJS02018FZ	Screw, (SW)	(2-B)
34	XQN2+A25FX	Screw, 2mm * 25mm	(2-B)
35	YGPOFX3529	Spindle Motor Ass'y	(2-A)
36	YEFX0051991C	Spring (Motor)	(2-A)
37	YGFX0052353	Clamper Spring	(2-A)
38	YGAJ071286	Motor Cable	(2-A)
39	XQN17+A25FX	Screw, 1.7mm * 25mm	(3-A)
40	YGFX0462019	Feeder Arm Ass'y	(1-A)
41	YGPOFX3507	Roller Gear Ass'y	(2-B)
42	YEFW04144	Roller Shaft Collar (1)	(2-A)
43	YEFW04138	Roller Shaft Collar (2)	(2-A)
44	YEFX218282	Rubber Roller	(2-A)
45	YEJW04128	Washer	(2-A)
46	YGFX0052362	Spring (Feeder Arm)	(1-A)
47	YGFX0462015	Suspension Lock Plate (L)	(1-A)
48	YGPOFX3504	Suspension Lock Plate (R) Ass'y	(1-B)
49	YGFX0052355	Spring (Rack Gear)	(1-A)
50	YGFX0052356	Spring (Rack Lock Lever)	(1-B)
51	YGFX0052360	Spring (Suspension Lock Plate L)	(1-A)
52	YGFX0052361	Spring (Lock Plate)	(3-C)
53	YGFA011779	Bottom Chassis Ass'y	(3-C)
54	YGFX003940	Driving Gear (1)	(3-C)
55	YGFX003941	Driving Gear (2)	(3-C)
56	YGPOFX3506	Loding Motor Ass'y	(3-C)
57	YGFX018605	Loding Motor Bracket Ass'y	(3-C)
58	XQN2+A25FX	Screw, (Motor) 2mm * 25mm	(3-C)
59	YEJS06188	Screw	(2-C)
60	YEFX04693	Oil Dumper	(1-C)
61	YGFX0052358	Suspension Spring (A)	(2-C)
62	YGFX0052359	Suspension Spring (B)	(2-C)

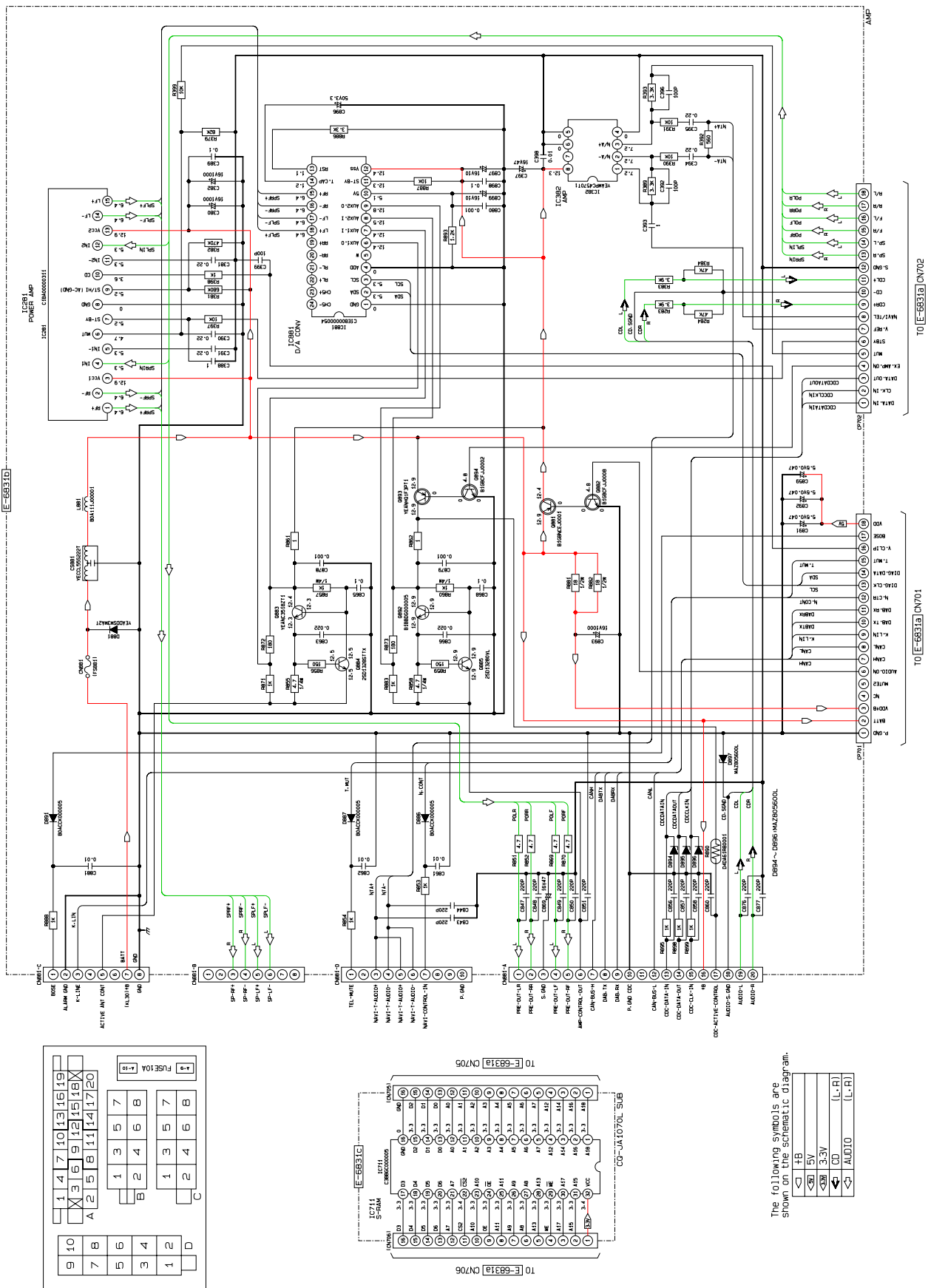
13 EXPLODED VIEW (CD Deck)



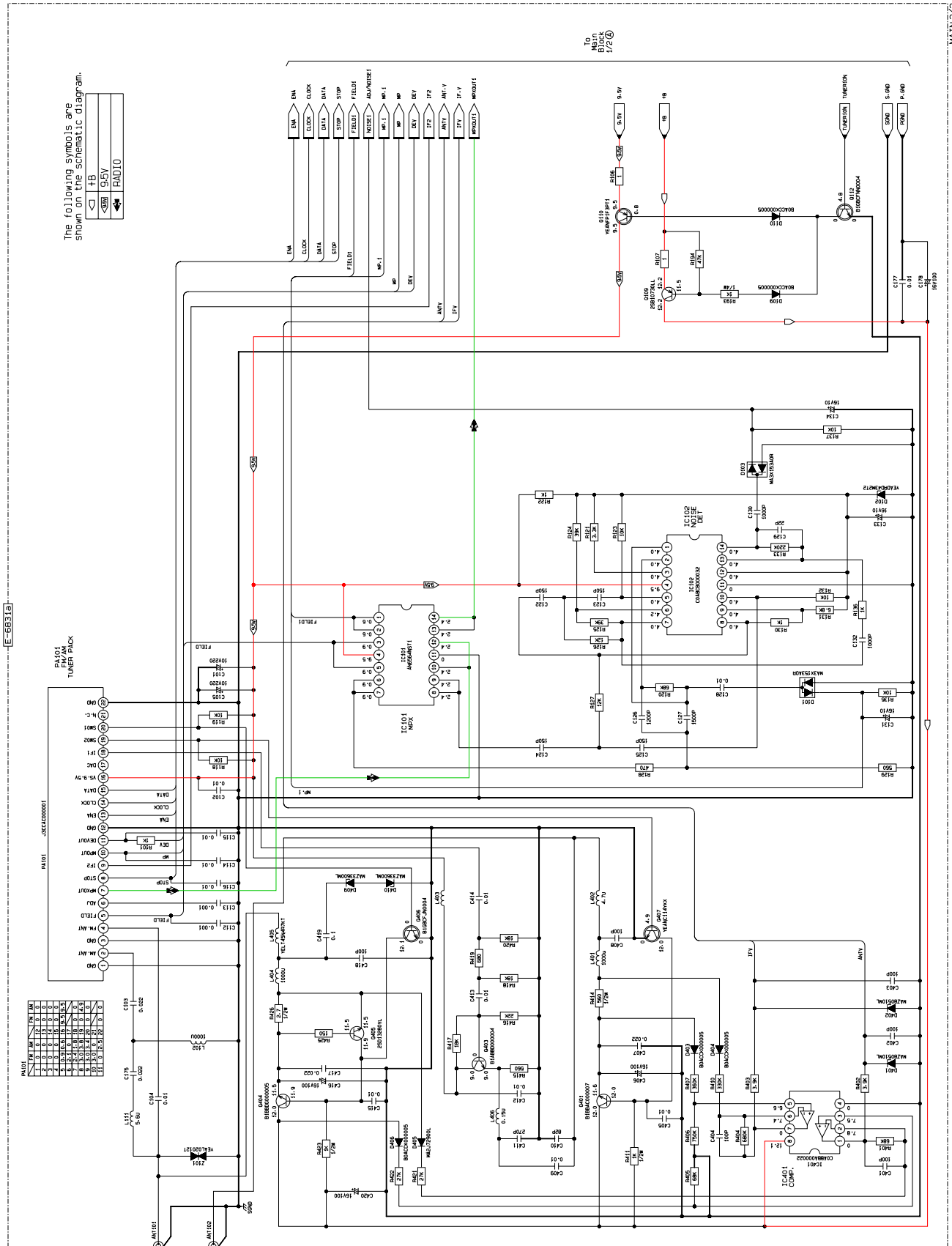
NCD8
'99.1.10

16 SCHEMATIC DIAGRAM -2

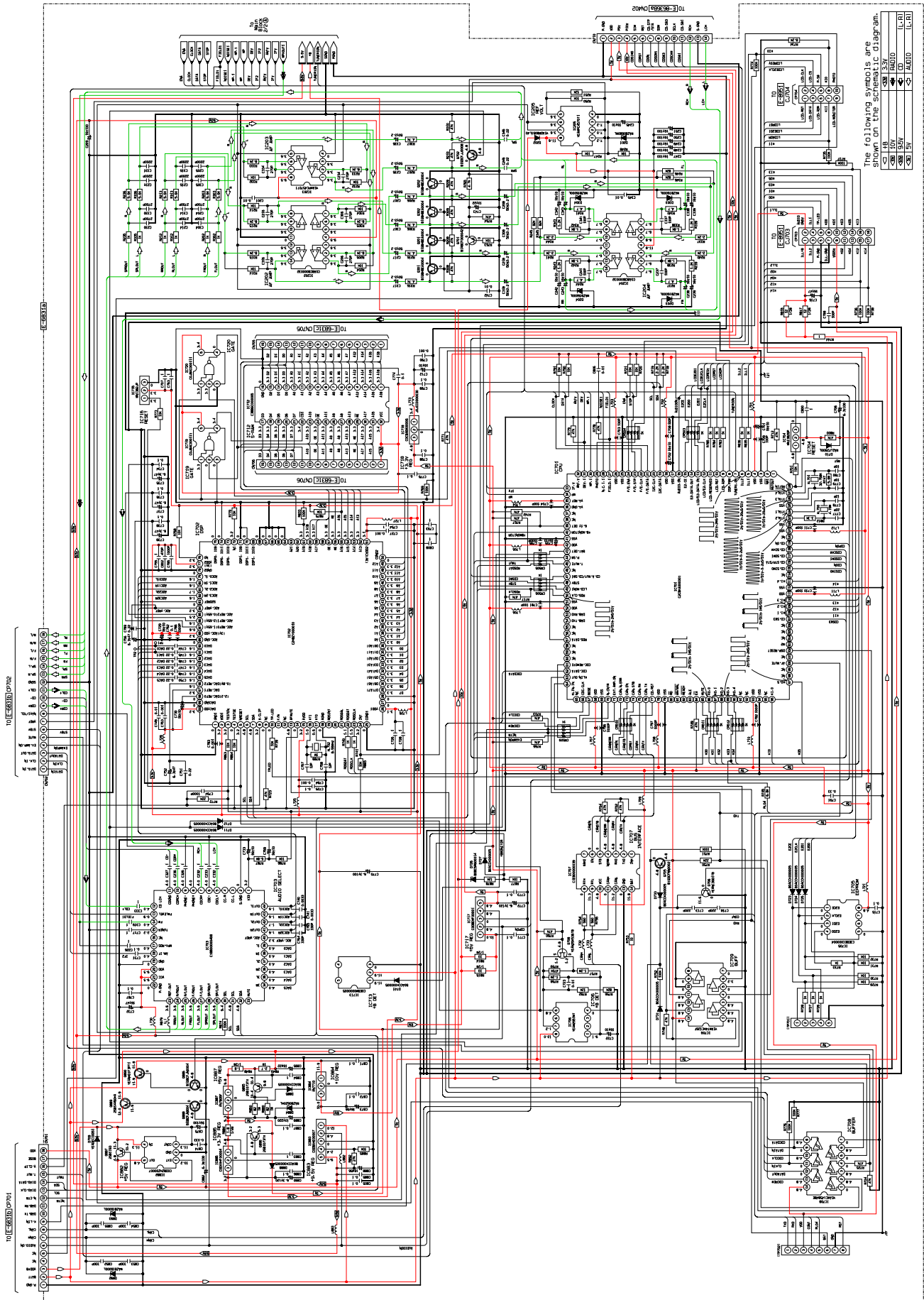
16.1. AMP Block



16.2. Tuner Block



16.3. Main Block



Free Manuals Download Website

<http://myh66.com>

<http://usermanuals.us>

<http://www.somanuals.com>

<http://www.4manuals.cc>

<http://www.manual-lib.com>

<http://www.404manual.com>

<http://www.luxmanual.com>

<http://aubethermostatmanual.com>

Golf course search by state

<http://golfingnear.com>

Email search by domain

<http://emailbydomain.com>

Auto manuals search

<http://auto.somanuals.com>

TV manuals search

<http://tv.somanuals.com>