

OPERATING INSTRUCTIONS

MULTI-FORMAT MONITOR

BT-H1700AE

Thank you for purchasing this Panasonic multi-format monitor. Before using it, read and follow all instructions carefully to take full advantage of the monitor's capabilities.

For Customer Use:

Enter below the Serial No. which is located on the rear of the cabinet. Retain this information for future reference.

Model No. : BT-H1700AE

Serial No. : _____

CONTENTS

SAFETY PRECAUTIONS	2
CONTROLS AND FEATURES	4
CONTROLS AND FEATURES (INPUT CARD: OPTIONAL)	6
PREPARATION	8
BASIC MENU OPERATIONS (MAIN MENU, SETUP MENU)	10
HOW TO USE "MAIN MENU"	11
HOW TO USE "SETUP MENU"	14
HOW TO USE EXTERNAL CONTROL	19
TROUBLESHOOTING	21
SELF-CHECK INDICATIONS	23
SPECIFICATIONS	24

SAFETY PRECAUTIONS

In order to prevent any fatal accidents caused by misoperation or mishandling the monitor, be fully aware of all the following precautions.

WARNINGS

To prevent fire or shock hazard, do not expose this monitor to rain or moisture. Dangerous high voltages are present inside the unit. Do not remove the back cover of the cabinet. When servicing the monitor, consult qualified service personnel. Never try to service it yourself.

**WARNING : THIS APPARATUS
MUST BE EARTHED.**

Improper operations, in particular alternation of high voltage or changing the type of tube may result in x-ray emission of considerable dose. A unit altered in such a way no longer meets the standards of certification, and must therefore no longer be operated.

■ PRECAUTIONS

- Use only the power source specified on the unit. (230 V AC, 50 Hz/60 Hz)
- Keep flammable material, water, and metal objects away from the unit – especially the interior of the unit.
- This unit incorporates high voltage circuitry. For your own safety and that of your equipment, do not attempt to modify or disassemble this monitor. There are no user-serviceable parts inside.
- Video or audio signals cannot be input to this monitor without optional input cards.
- In these instructions, all explanations (except where noted) refer to the BT-H1700AE with input cards installed.

■ HANDLING

- Avoid shocks or vibrations. These may damage the unit and cause it to malfunction.
- Do not block the ventilation slots.
- Do not expose this unit to high temperatures. Extended exposure to direct sunlight or a heater could deform the cabinet or cause the performance of internal components to deteriorate.
- Do not place the unit near appliances generating strong electric or magnetic fields. They can generate picture noise and instability.
- Keep the monitor clean by wiping the cabinet and CRT screen with a piece of soft cloth. Do not apply thinner or benzine. These chemicals can damage the finish and erase printed letters. When the unit is excessively dirty, use a diluted neutral cleanser, then wipe away the cleanser with a dry cloth.

SCREEN BURN

- It is not recommended to keep a certain still image displayed on screen for a long time as well as displaying extremely bright images on screen. This may cause a burning (sticking) phenomenon on the screen of cathode-ray tube. This problem does not occur as far as displaying normal video playback motion images.

DEGAUSS

- Do not use a magnet eraser to degauss the monitor's cathode ray tube from the outside. Doing so may distort its aperture grill and cause a malfunction.

EMC Supplement

This equipment is in conformity with the provisions and protection requirements of the corresponding European Directives. This equipment is designed for professional video appliances and can be used in the following environments:

- Controlled EMC environment (for example purpose built broadcasting or recording studio), and the rural outdoors environment (far away from railways, transmitters, overhead power lines, etc.)

In order to keep the best performance and furthermore for electromagnetic compatibility we recommend to use cables not exceeding the following length:

Cable		Length	Cable		Length
Power cord	(attached cable)	2.0 m	Audio signal cable	(shielded cable)	1.0 m
Video signal cable	(coaxial cable)	2.0 m	D-sub 9-pin cable	(shielded cable)	1.5 m
Y/C signal cable	(shielded cable)	3.0 m	D-sub 15-pin cable	(shielded cable)	1.0 m

The inrush current of this apparatus is 20.1 ampere.

Caution

When in case that the strong electromagnetic waves or magnetism is near the audio cable or the signal cable, the sound or the picture will contain noise. In such case, please keep the cable away from the sources of the disturbance.

For Your Safety

Caution for AC Mains Lead

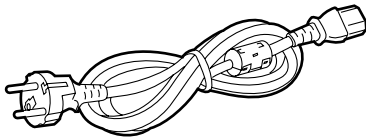
FOR YOUR SAFETY PLEASE READ THE FOLLOWING TEXT CAREFULLY.

This product is equipped with 2 types of AC mains cable. One is for continental Europe, etc. and the other one is only for U.K.

Appropriate mains cable must be used in each local area, since the other type of mains cable is not suitable.

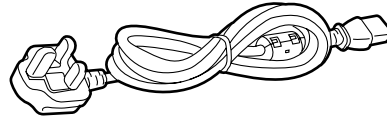
FOR CONTINENTAL EUROPE, ETC.

Not to be used in the U.K.



FOR U.K. ONLY

If the plug supplied is not suitable for your socket outlet, it should be cut off and appropriate one fitted.





FOR U.K. ONLY

This appliance is supplied with a moulded three pin mains plug for your safety and convenience.

A 13 amp fuse is fitted in this plug.

Should the fuse need to be replaced please ensure that the replacement fuse has a rating of 13 amps and that it is approved by ASTA or BSI to BS1362.

Check for the ASTA mark  or the BSI mark  on the body of the fuse.

If the plug contains a removable fuse cover you must ensure that it is refitted when the fuse is replaced.

If you lose the fuse cover the plug must not be used until a replacement cover is obtained.

A replacement fuse cover can be purchased from your local Panasonic Dealer.

IF THE FITTED MOULDED PLUG IS UNSUITABLE FOR THE SOCKET OUTLET IN YOUR HOME THEN THE FUSE SHOULD BE REMOVED AND THE PLUG CUT OFF AND DISPOSED OF SAFELY. THERE IS A DANGER OF SEVERE ELECTRICAL SHOCK IF THE CUT OFF PLUG IS INSERTED INTO ANY 13 AMP SOCKET.

If a new plug is to be fitted please observe the wiring code as shown below.

If in any doubt please consult a qualified electrician.

WARNING: THIS APPLIANCE MUST BE EARTHED.

IMPORTANT: The wires in this mains lead are coloured in accordance with the following code:

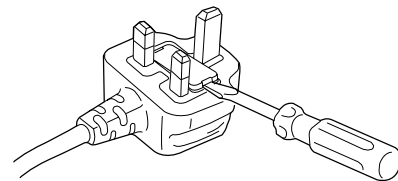
Green-and-Yellow	:	Earth
Blue	:	Neutral
Brown	:	Live

As the colours of the wires in the mains lead of this appliance may not correspond with the coloured markings identifying the terminals in your plug, proceed as follows:

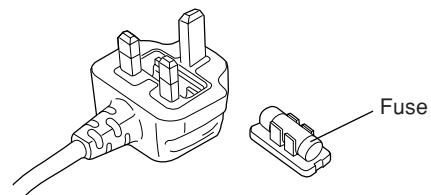
- The wire which is coloured GREEN-AND-YELLOW must be connected to the terminal in the plug which is marked with the letter E or by the Earth symbol \perp or coloured GREEN or GREEN-AND-YELLOW.
- The wire which is coloured BLUE must be connected to the terminal in the plug which is marked with the letter N or coloured BLACK.
- The wire which is coloured BROWN must be connected to the terminal in the plug which is marked with the letter L or coloured RED.

How to replace the fuse

1. Open the fuse compartment with a screwdriver.



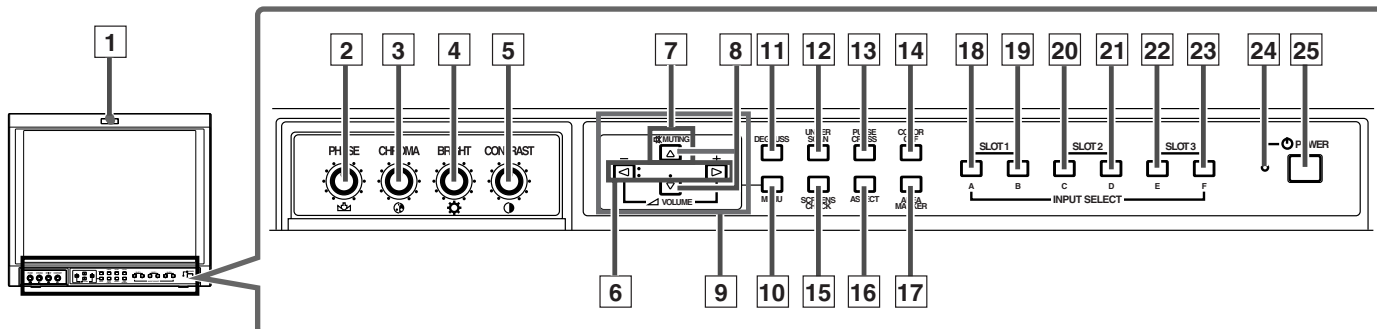
2. Replace the fuse.



CONTROLS AND FEATURES

FRONT VIEW

<Front Panel>



1 Tally lamp

Lights when the tally control signal is ON. Set the MAKE/TRIGGER terminal's tally control in the REMOTE (external control) terminal setup menu. For details, refer to Page 19. The lamp color can be set to red or green. To set the color, use TALLY SELECT in the "FUNCTION SETTING" setup menu or MAKE/TRIGGER in the REMOTE (external control) terminal setup menu. For details, refer to Page 15 and 19.

2 PHASE adjustment knob

Adjusts picture hue. Turn the knob to the left to make the picture redder, and turn it to the right to make the picture greener.

3 CHROMA adjustment knob

Adjusts picture colour density. Turn the knob to the left to make the picture colour lighter, and turn it to the right to make the picture colour deeper.

4 BRIGHT adjustment knob

Adjusts picture brightness. Turn the knob to the left to make the picture darker, and turn it to the right to make the picture brighter.

5 CONTRAST adjustment knob

Adjusts picture contrast. Turn the knob to the left to make the picture contrast lower, and turn it to the right to make the picture contrast higher.

6 VOLUME buttons



Adjusts the speaker volume. Pressing this button displays the VOLUME level bar on the screen. Pressing the button again allows you to adjust speaker volume.

7 MUTING button

Pressing this button mutes the input sound. "MUTING ON" is displayed on the screen. Pressing the VOLUME "-/+ " button or the MUTING button restores the sound. "MUTING OFF" is displayed on the screen. On-screen indications disappear after three seconds.

NOTE: The MUTING button functions even when nothing is displayed on screen (such as Main, Setup Menu, or Volume level bar). In this case, "MUTING OFF" will not be displayed when the VOLUME "-/+ " button is pressed.

8 EMBEDDED AUDIO channel switch button

Pressing this button switches the input sound channel. When the  button is pressed, the channel is advanced. When the  button is pressed, channel is reversed.

NOTE: The channel indication will display a channel from the group selected in the EMBEDDED setup section of the FUNCTION SETTING menu. It is valid when an input card compliant with EMBEDDED AUDIO is installed.

9 Menu select buttons

Selects menu screen items or set-up menu screen.

10 MENU button

Displays, adjusts or closes a menu screen.

11 DEGAUSS button/lamp

Press the DEGAUSS button. The button lights and degaussing is performed automatically. When the degaussing is completed, the light goes off.

12 UNDER SCAN button/lamp

Press the UNDER SCAN button. The button lights and the screen is reduced (under-scan) and the whole screen is displayed. When the UNDER SCAN button is pressed while lit, the light goes off and the screen returns to normal size (over-scan). Use this function to check the whole screen.

NOTE: This function is invalid with the RGB-input screen.

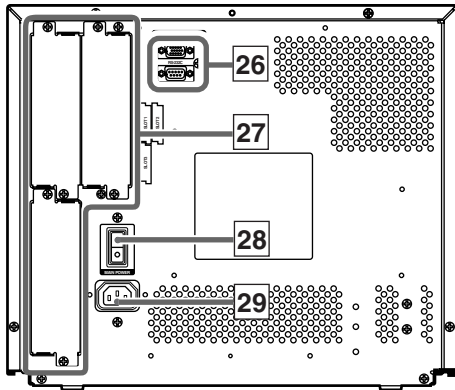
13 PULSE CROSS button/lamp

Press the PULSE CROSS button. The picture is separated into 4 parts. The synchronised signal displayed in the shape of a cross separating the parts. The screen automatically brightens to make it easier to confirm synchronised sections easy. When the PULSE CROSS button is pressed while lit, the light goes off and the normal screen is restored.

NOTE: This function is invalid with the RGB-input screen.

REAR/SIDE VIEW

<Rear Panel>



14 COLOR OFF button/lamp

Press the COLOR OFF button. The button lights and the screen becomes monochrome. When the COLOR OFF button is pressed while lit, the light goes off and the normal screen is restored.

Use this function to confirm the noise in the brightness signal or to confirm the white balance.

NOTE: This function is invalid with the RGB-input screen.

15 SCREENS CHECK button/lamp

Press the SCREENS CHECK button. The button lights and the screen changes in the following order:

Normal screen → Red screen → Green screen → Blue screen →

Press the SCREENS CHECK button when the blue screen is displayed. The light goes off and the normal screen is restored.

Use this function to confirm or adjust CHROMA or PHASE.

NOTE: This function is invalid with the RGB-input screen.

16 ASPECT button/lamp

When the ASPECT button is pressed while the screen ratio is 4:3, the button lights and the screen ratio changes to 16:9. When the ASPECT button is pressed while lit, the light goes off and the normal screen is restored.

NOTE: This function is invalid with the RGB-input screen.

17 AREA MARKER button/lamp

When the AREA MARKER button is pressed while the screen ratio is 16:9, the button lights and the white marker is displayed. This shows the screen size (area) set on the menu. When the AREA MARKER button is pressed while lit, the light goes off and the normal screen is restored.

NOTE: This function is invalid with the RGB-input screen.

18 – 23 INPUT SELECT buttons/lamps

Press the unlit button. The button lights and the input signal is changed. (any other lit button goes off.)

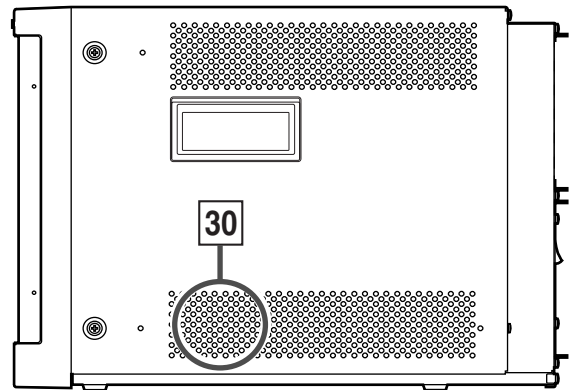
When the lit button is pressed, the status of the current input signal is displayed (for approx. 3 seconds). Buttons A through F correspond to the signals input via the input cards installed in SLOT 1 through SLOT 3.

A, B : selects the audio and the video from the SLOT 1 input card.

C, D : selects the audio and the video from the SLOT 2 input card.

E, F : selects the audio and the video from the SLOT 3 input card.

<Side Panel>



Refer to pages 6 and 7 for correspondence between the input terminals and the INPUT SELECT buttons.

24 Power lamp

Unlit : The main power is OFF.

Orange : The main power is ON, but the monitor's power is OFF (in stand-by mode).

Green : The main power is ON, and the monitor's power is ON (in normal operation mode).

25 POWER switch

Press the power switch to turn the monitor's power ON or OFF when the main power is ON.

NOTE: When RUSH DELAY TIME is set to SLOW in the set-up menu, it takes approx. 3.2 seconds for the power to actually turn ON after the power switch is pressed.

26 REMOTE (external control) terminals

Terminals for controlling the monitor from an external unit. MAKE/TRIGGER terminal (Upper):

Enables the monitor to be controlled by closing the circuit (point of contact) connected to the terminal.

RS-232C terminal (Lower):

Enables the monitor to be controlled from a personal computer via serial communication.

27 Input card slots (SLOT 1 — SLOT 3)

Optional input cards can be installed in these slots. Input cards are not provided when you purchase the monitor.

NOTE: It is not possible to input video or audio signals to the monitor when no input cards are installed.

28 Main power switch

Press the switch to turn the main power ON or OFF.

When the main power is ON, the power lamp on the front panel lights in yellow and the monitor enters the stand-by mode.

I : ON O : OFF

29 AC inlet

Power input connector. Connect the provided AC power cord to an AC outlet (230 V AC, 50 Hz/60 Hz).

* Attach the provided Power Cord Holder to the AC inlet to prevent accidental disconnection of the AC power cord.

Refer to page 9 for details.

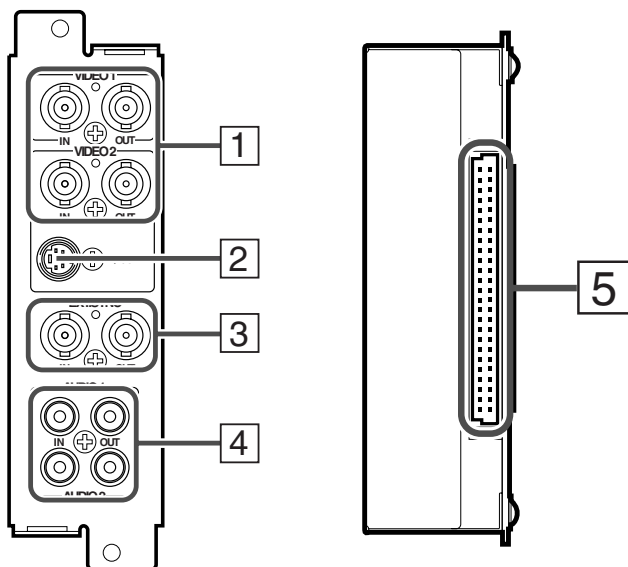
30 Built-in speaker (monaural)

Outputs the selected INPUT audio signal.

CONTROLS AND FEATURES

(INPUT CARD: OPTIONAL)

VIDEO INPUT CARD (OPTIONAL: BT-YA701P)



Compatible signal formats:

NTSC (3.58 MHz), PAL (4.43 MHz), black-and-white (50 Hz/60 Hz)

* You can select "AUTO" (automatic selection), "NTSC" or "PAL" in SETUP MENU when switching NTSC or PAL. Normally select AUTO. However, if the input signal is unstable, select NTSC or PAL.

1 Video input/output terminals

Input (IN) and output (OUT) terminals for video signals. The IN and OUT terminals are bridge-connected. (When no cable is connected to the OUT terminal, the input signal is automatically terminated.)

Select VIDEO 1 : press INPUT SELECT A/C/E button
Select VIDEO 2 : press INPUT SELECT B/D/F button

2 S-video input terminal

Input terminal for the S-video signal.

When an S-video signal is input to this terminal and a video signal is input to VIDEO 2, the S-video signal has priority over the video signal.

When choosing the S-video input, press INPUT SELECT B/D/F button.

3 Synchronised signal input/output terminals

Input (IN) and output (OUT) terminals for the complex synchronised signals.

Function differs depends on the SYNC SELECT setting in the FUNCTION SETTING setup menu. For details, refer to Page 15.

The IN and OUT terminals are bridge-connected.

(When no cable is connected to the OUT terminal, the input signal is automatically terminated.)

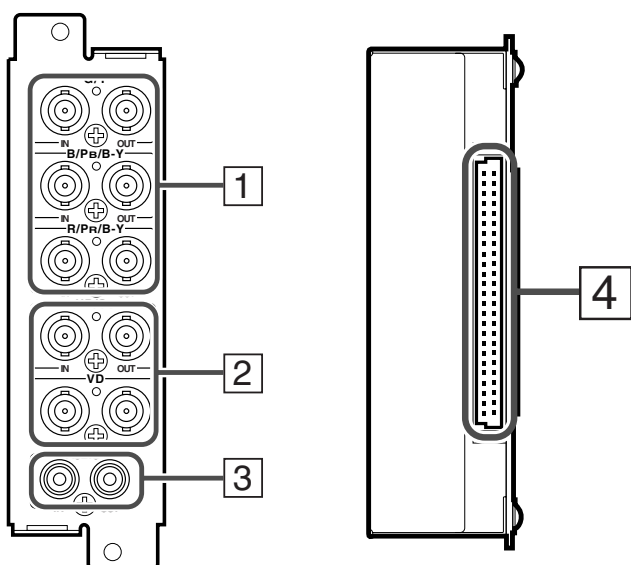
4 Audio input/output terminals

Input (IN) and output (OUT) terminals for audio signals corresponding to VIDEO 1 and VIDEO 2. The IN and OUT terminals are bridge-connected.

5 Connection terminal (to a Multi-Format Monitor)

Attach to the connection terminal of your Multi-Format Monitor.

COMPONENT/RGB INPUT CARD (OPTIONAL: BT-YA702P)



Compatible signal formats:

480/60i, 576/50i, 576/50p, 480/60p, 720/60p, 1035/60i, 1080/50i, 1080/60i, 1080/24psF

1 Video input/output terminals

Input (IN) and output (OUT) terminals for component (colour difference) or RGB signals. The IN and OUT terminals are bridge-connected.

(When no cable is connected to the OUT terminal, the input signal is automatically terminated.)

Select component signal : press INPUT SELECT A/C/E button

Select RGB signal : press INPUT SELECT B/D/F button

2 Synchronised signal input/output terminals

Input (IN) and output (OUT) terminals for the vertical, horizontal or complex synchronised signals.

Function differs depends on the SYNC SELECT setting in the FUNCTION SETTING setup menu. For details, refer to Page 15.

The IN and OUT terminals are bridge-connected.

(When no cable is connected to the OUT terminal, the input signal is automatically terminated.)

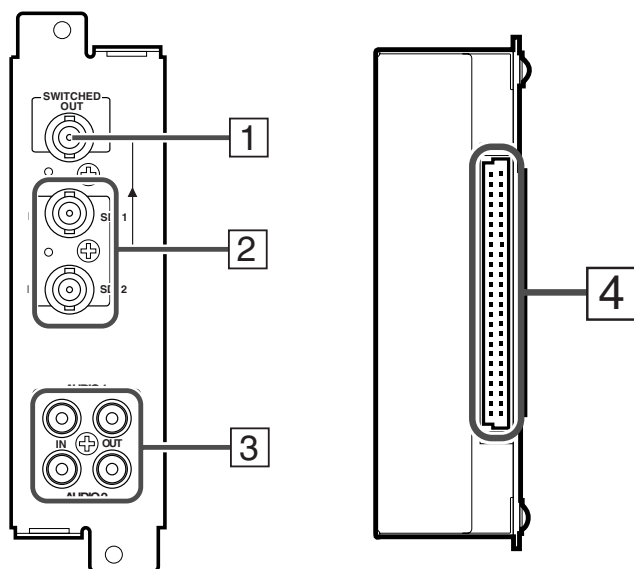
3 Audio input/output terminals

Input (IN) and output (OUT) terminals for audio signals. The IN and OUT terminals are bridge-connected.

4 Connection terminal (to a Multi-Format Monitor)

Attach to the connection terminal of your Multi-Format Monitor.

SDI INPUT CARD (OPTIONAL: BT-YA703P)



Compatible signal formats: 480/60i, 576/50i

1 Output terminal for a selected component serial digital signal

Output terminal for a selected digital signal (the input displayed on the screen). The output signal is cable-compensated.

NOTE: When the monitor's power is OFF, no digital signal is output.

2 Input terminals for component serial digital signals

Input terminals for the digital signal.

Select SDI 1 : press INPUT SELECT A/C/E button

Select SDI 2 : press INPUT SELECT B/D/F button

3 Audio input/output terminals

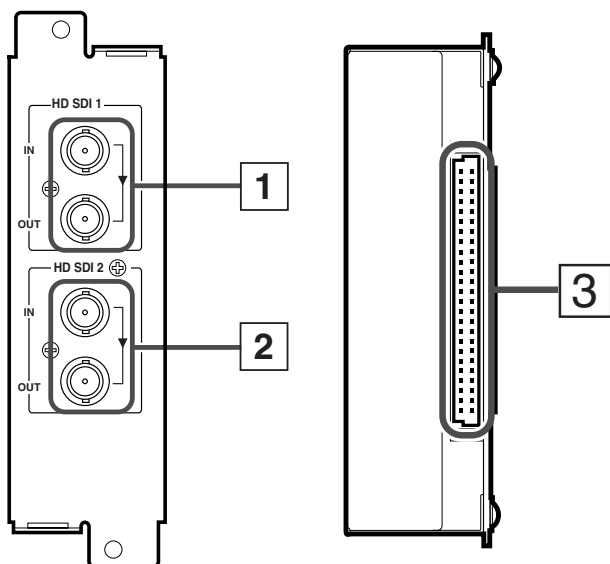
Input (IN) and output (OUT) terminals for the analogue signals corresponding to SDI 1 and SDI 2.

NOTE: This input card cannot decode audio data even if contained in the input digital signal.

4 Connection terminal (to a Multi-Format Monitor)

Attach to the connection terminal of your Multi-Format Monitor.

HD SDI INPUT CARD (OPTIONAL: BT-YA705G)



Compatible signal formats: 720/60p, 1080/50i, 1080/60i, 1035/60i, 1080/24psF, EMBEDDED AUDIO

1 Input and output terminals for HD SDI 1 component serial digital signals

Input (IN) and output (OUT) terminals for HD serial digital signals.

Select HD SDI 1: press INPUT SELECT A/C/E button

2 Input and output terminals for HD SDI 2 component serial digital signals

Input (IN) and output (OUT) terminals for HD serial digital signals.

Select HD SDI 2: press INPUT SELECT B/D/F button

3 Connection terminal (to a Multi-Format Monitor)

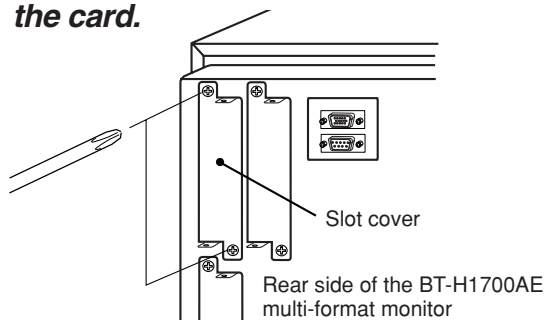
Attach to the connection terminal of your Multi-Format Monitor.

PREPARATION

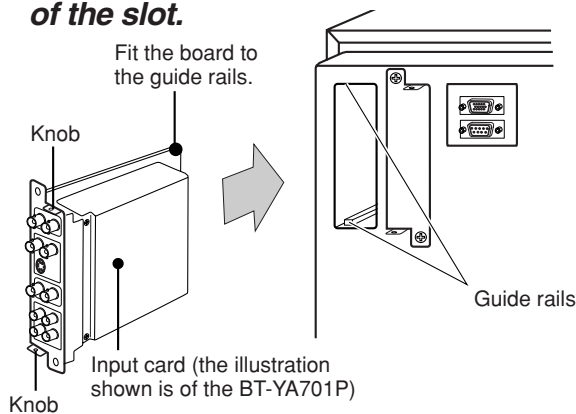
INSTALLING THE INPUT CARD

Optional input cards are necessary to use the functions of this monitor. Before mounting the monitor or connecting other equipment to the monitor, be sure to install the input cards.

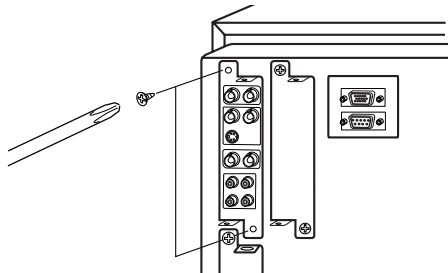
1. Turn off the Multi-Format Monitor's main power and unplug the power cable from the AC outlet.
2. Unscrew the screws and remove the slot cover from the slot (on the rear side of the monitor) in which you are going to install the card.



3. Insert the Input Card's board (green-coloured) into the slot, fitting the board into the guide rails on the top and bottom of the slot.



4. Push the Input Card in so that its front panel touches the monitor's rear panel.
5. Secure the Input Card by replacing the screws removed in Procedure 2.



NOTE : Do not touch the terminal connected to the monitor or board pattern.

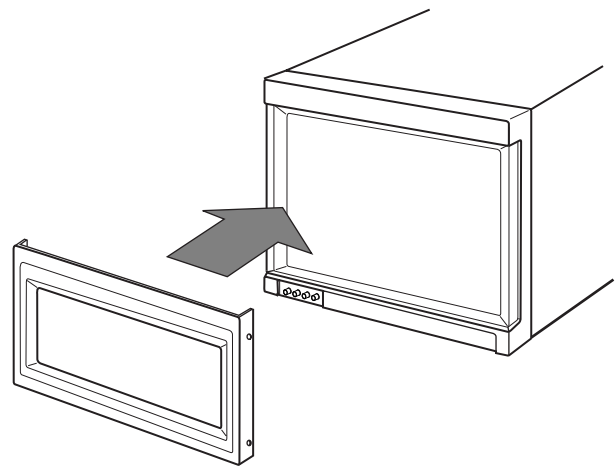
Do not remove slot covers from the monitor's slots if they are not in use.

ATTACHING THE WIDE MASK

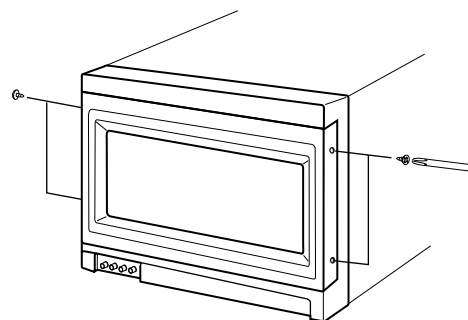
A wide mask is provided with the monitor. This changes the viewable screen area to the 16:9 aspect ratio.

The wide mask cannot be attached to the monitor after the monitor is mounted in a rack. Mount the wide mask before installing the monitor in a rack.

1. Prepare the provided wide mask and 4 screws (for attaching).
2. Attach the wide mask to the monitor.



3. Secure the wide mask with the screws (fix 2 screws each to both right and left side).

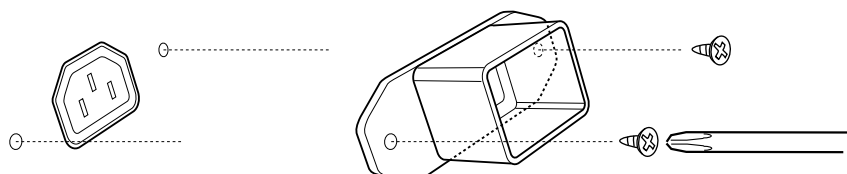


- When detaching the wide mask, follow this procedure in reverse.

ATTACHING THE POWER CORD HOLDER

The provided Power Cord Holder prevents accidental disconnection of the AC power cord from the AC inlet. The Power Cord Holder consists of two parts; a case and cover.

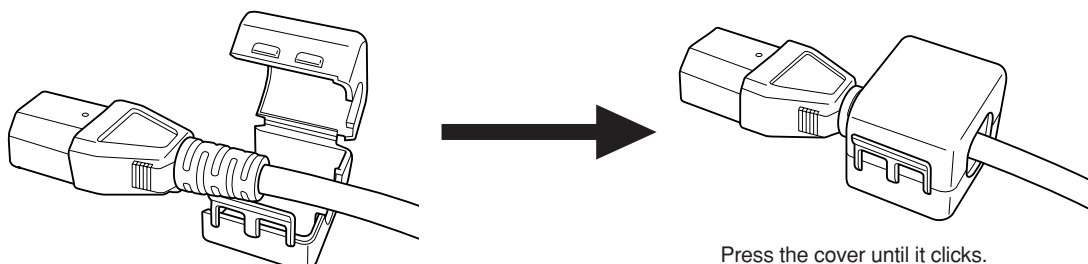
1. Attach the Power Cord Holder case to the AC inlet on the back of the monitor with 2 screws (provided).



Caution:

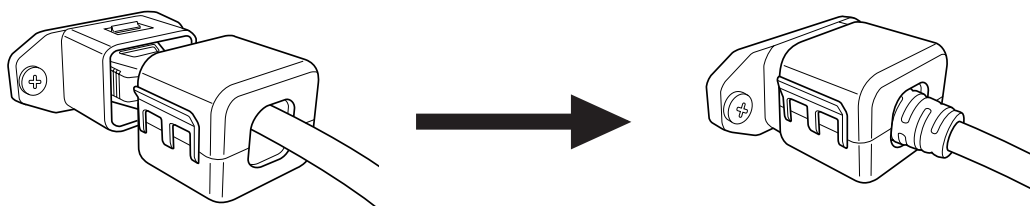
Use only the provided screws.

2. Attach the Power Cord Holder cover to the AC power cord.



Press the cover until it clicks.

3. Connect the AC power cord to the AC inlet, and join the Power Cord Holder cover with the case.



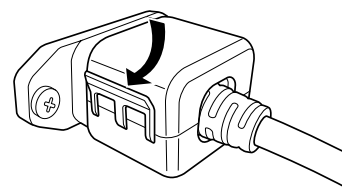
Hold until it clicks.

Caution:

A different plug shape will result in the cover being attached to a different position. Check to make sure the plug doesn't pull out after the cover is attached.

Note:

To disconnect the power cord, click the tab to open the cover.



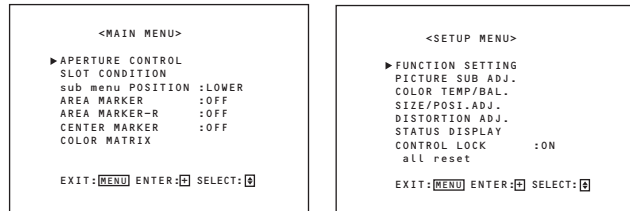
BASIC MENU OPERATIONS

(MAIN MENU, SETUP MENU)

ABOUT MENU SCREENS

This monitor features a MAIN MENU (main menu screen) and a SETUP MENU (setup menu screen).

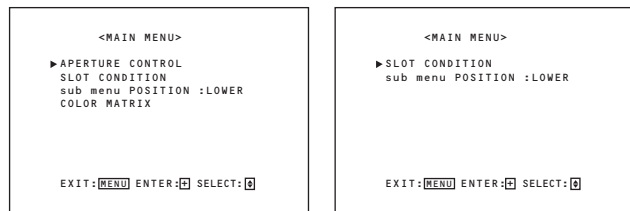
The MAIN MENU contains the functions normally used, and the SETUP MENU contains the settings required for initial setup.



MAIN MENU (main menu screen)

SETUP MENU (setup menu screen)

NOTE: The contents of menus vary depending on the input signal or combination of the monitor's settings.

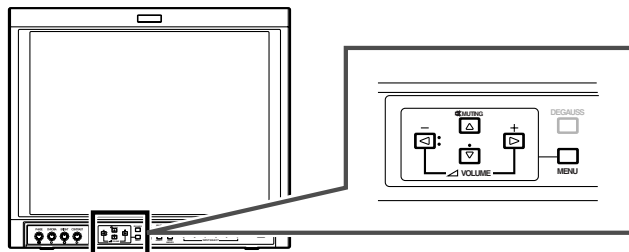


MAIN MENU when the video signal is input

MAIN MENU when the RGB signal is input

DISPLAYING THE MENU SCREENS

- **To display MAIN MENU**
Press the button on the front panel.
- **To display SETUP MENU**
Press the button while pressing the button on the front panel.



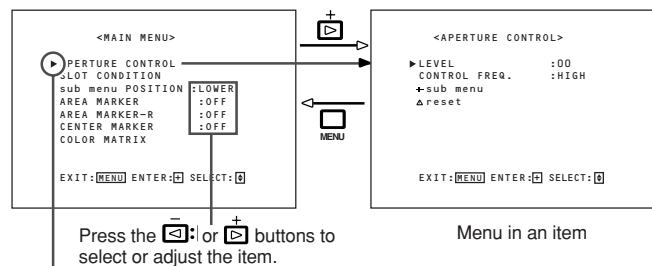
CLOSING THE MENU SCREENS

- **Using the MENU button**
Press the button a few times until the Menu Screen disappears.
- **With no operation**
When approx. 30 seconds have passed since the last Menu operation, both screens will disappear.
* Some items on the Menu Screens disappear automatically after setting.

NOTE: When you perform the "reset" or "all reset" function, the Menu Screen does not disappear unless you press the button.

BASIC MENU OPERATION

- **To select an item,**
Press the or buttons to move the cursor (▶) on the Menu Screens and select the desired item.
- **To set (select) or adjust an item,**
Press the or buttons to select or adjust the desired item.
- **When the desired item has other menus (hierarchical menus),**
Press the button to display the lower hierarchical menu.
- **To return to the former Menu Screen,**
Press the button.

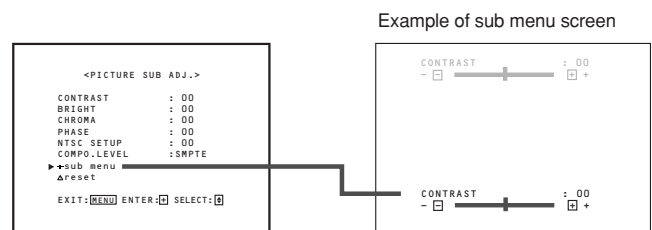


Cursor
Move (select) with the or buttons.

HOW TO USE THE SUB MENU

The sub menu function applies to Menu Screen items that should be adjusted or set while watching the picture. This function simplifies the adjustment or setting while watching the picture by displaying the single item on the top or bottom of the screen.

- **To use the sub menu function,**
Press the or buttons to select "+ sub menu". Then, press the button to display the sub menu screen.
- **To adjust or set an item in the sub menu screen,**
Press the or buttons.
- **To change the item to be adjusted or set,**
Press the or buttons.
- **To change the position of the sub menu screen,**
Set "UPPER" (on the top) or "LOWER" (on the bottom) in "sub menu POSITION" of MAIN MENU.
- **To close the sub menu screen,**
Press the button. The previous Menu Screen is displayed.



The upper pale screen; when setting "UPPER" in "sub menu POSITION"
The lower dark screen; when setting "LOWER" in "sub menu POSITION"

HOW TO USE "MAIN MENU"

"MAIN MENU" ITEMS

The following items appear in MAIN MENU.

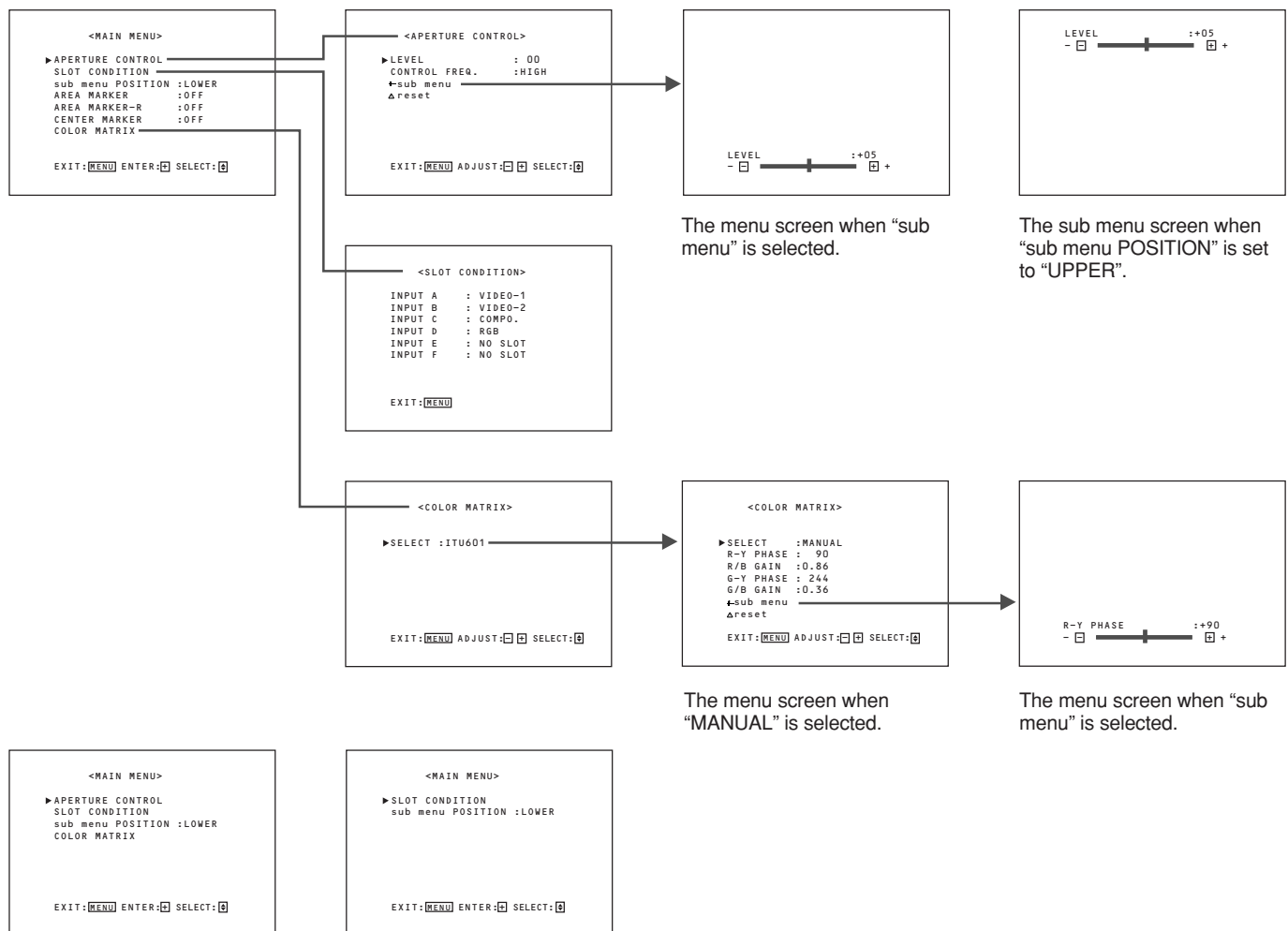
Items	Functions	Displays
1 APERTURE CONTROL	Compensates the frequency characteristics of the input video signal.	*1
2 SLOT CONDITION	Displays the status of the input cards installed in each of the input card slots.	
3 sub menu POSITION	Selects the display position of the sub menu superimposed on the screen.	
4 AREA MARKER	Selects the size marker for the other screen ratio used when the screen ratio is 16:9.	*2
5 AREA MARKER-R	Selects the size marker for the other screen ratio used when the screen ratio is 16:9. (for external control)	*2
6 CENTER MARKER	Makes the centre marker appear or disappear.	*2
7 COLOR MATRIX	Selects or adjusts the picture colour matrix.	*1

About "Displays" *1: Not displayed when an RGB signal is input.

*2: Displayed only when the screen ratio is 16:9. Not displayed when an RGB signal is input.

When some items are not displayed depending on the input signals, subsequent items will move up.

"MAIN MENU" SCREENS



The menu screen when the screen ratio is 4:3

The menu screen when an RGB signal is input

The menu screen when "sub menu" is selected.

The sub menu screen when "sub menu POSITION" is set to "UPPER".


The menu screen when "MANUAL" is selected.

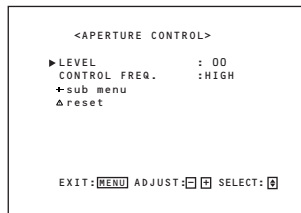
The menu screen when "sub menu" is selected.

HOW TO USE "MAIN MENU" (cont'd)

ITEM CONTENTS AND ADJUSTMENT RANGE/SETTINGS

1. APERTURE CONTROL

Compensates the frequency characteristics of the input video signal. Press the  button to display the setting menu illustrated on the right.



NOTE : APERTURE CONTROL is not displayed when the RGB signal is input.


Item : LEVEL
 Adjustment range : 00 ~ +10
 Function : Adjusts the compensate value. The higher the number is, the larger the compensate value gets.

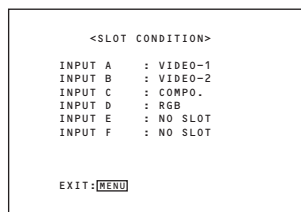
Item : CONTROL FREQ.
 Settings : HIGH/LOW/OFF
 Function : Adjusts the frequency compensation.
 HIGH : Compensates the high frequencies.
 LOW : Compensates the low frequencies.
 OFF : Deactivates the aperture compensation.

Item : sub menu
 Adjustment range/
 Settings : Same as LEVEL or CONTROL FREQ.
 Function : Performs the LEVEL or CONTROL FREQ. settings in a single-line display. The display position depends on the "sub menu POSITION" setting.

Item : reset
 Function : Sets the LEVEL and CONTROL FREQ. values to factory-preset ones.

2. SLOT CONDITION

Displays the status of the input cards installed in each of the input card slots. Press the  button to display the setting menu illustrated on the right.



Items : INPUT A:/INPUT B:/INPUT C:/INPUT D:/INPUT E:/INPUT F:
 Settings : VIDEO-1/VIDEO-2/COMPO./RGB/SDI 1/SDI 2/HD SDI 1/HD SDI 2/HD SDI 1*/HD SDI 2*/NO SLOT
 Function : Displays the status of the input cards installed in each of the input card slots.

- INPUT A/B corresponds to SLOT 1, INPUT C/D to SLOT 2, and INPUT E/F to SLOT 3.
- VIDEO-1 or VIDEO-2 shows the video input card is installed. COMPO. or RGB shows the component/RGB input card. SDI 1 or SDI 2 shows the SDI input card is installed.

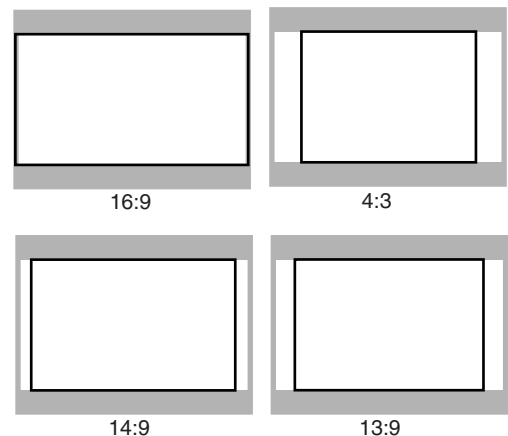
- HD SDI 1 or HD SDI 2 shows the HD SDI input card is installed.
- HD SDI 1* and HD SDI 2* show the HD SDI input card (compatible with EMBEDDED AUDIO) is installed.
- NO SLOT shows no input cards are installed.

3. sub menu POSITION

- Items : Selects the display position of the sub menu superimposed on the screen.
- Settings : UPPER/LOWER
- Functions : UPPER : An adjustment item is displayed on the top of the screen.
 LOWER : An adjustment item is displayed on the bottom of the screen.

4. AREA MARKER

- Items : Selects the size marker for the other screen ratio (aspect) used when the screen ratio is 16:9.
- Settings : OFF/16:9/4:3/13:9/14:9/MODE 1/MODE 2
- Functions : OFF: The marker is not displayed.
 16:9/4:3/13:9/14:9: Displays the marker (a white quadrangle) showing the screen size of each aspect ratio.
 MODE 1/MODE 2: Displays no markers because these settings will be used for function expansion in the future.
- AREA MARKER is displayed when the displayed picture is such a format as 1080i/1035i/720p etc. or has been converted to 16:9 ratio by pressing the ASPECT button.
 - To actually display the marker, **the AREA MARKER button on the monitor needs to be pressed so that it is illuminated.**



5. AREA MARKER-R

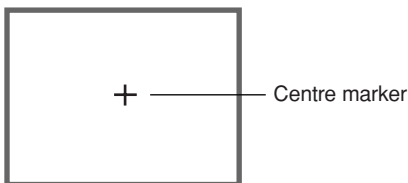
Items : Selects the size marker for the other screen ratio (aspect) used when the screen ratio is 16:9. (for external control)
 Settings : OFF/16:9/4:3/13:9/14:9/MODE 1/MODE 2
 Functions : OFF: The marker is not displayed.
 16:9/4:3/13:9/14:9: Displays the marker (a white quadrangle) showing the screen size of each aspect ratio.
 MODE 1/MODE 2: Displays no markers because these settings will be used for function expansion in the future.

- AREA MARKER-R is displayed when the displayed picture is such a format as 1080i/1035i/720p etc. or has been converted to 16:9 ratio by pressing the ASPECT button.
- The marker is actually displayed when the external control selects each setting. (No markers are displayed even if each marker is selected only in the monitor's AREA MARKER-R setting.)

6. CENTER MARKER

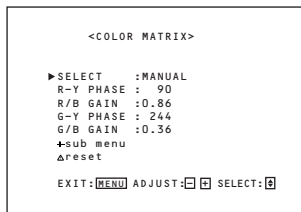
Items : Makes the centre marker appear or disappear.
 Settings : ON/OFF
 Functions : ON : The centre marker (a white cross) is displayed on the centre of the screen.
 OFF : The marker disappears.

- To actually display the marker, **the AREA MARKER button on the monitor needs to be pressed so that it is illuminated.**



7. COLOR MATRIX

Selects or adjusts the standard of the colour demodulation (colour rendering). Press the button to display the setting menu illustrated on the right.



The menu screen when **MANUAL** is selected.

- The standard setting is set to "ITU601" or "ITU709" depending on the input signal format. The factory preset of MANUAL is ITU709

Input Signal Format	Standard setting	Manual setting (MANUAL)
NTSC, PAL, 480/60i, 480/60p, 576/50i, 575/50p	ITU601	ITU709
720/60p, 1080/50i, 1080/60i, 1035/60i, 1080/24psF	ITU709	

ITU601	R-Y PHASE	90
	R/B GAIN	0.79
	G-Y PHASE	244
	G/B GAIN	0.45
ITU709	R-Y PHASE	90
	R/B GAIN	0.86
	G-Y PHASE	244
	G/B GAIN	0.30

Item : SELECT
 Function : Selects the picture matrix standard.
 Settings : ITU601 or ITU709/ MANUAL
 ITU601 or ITU709 : Standard setting
 MANUAL : Manual setting

NOTE : The following items are displayed when MANUAL is selected. When ITU601 or ITU709 is selected, they are not displayed.

Item : R-Y PHASE
 Function : Sets the R-Y phase.
 Settings : 90/92/94/112

Item : R/B GAIN
 Function : Sets the R/B gain.
 Settings : 0.86/0.56/0.68/0.79

Item : G-Y PHASE
 Function : Sets the G-Y phase.
 Settings : 244/253/236/240

Item : G/B GAIN
 Function : Sets the G/B gain.
 Settings : 0.30/0.34/0.40/0.45

Item : sub menu
 Function : Performs the R-Y PHASE, R/B GAIN, G-Y PHASE or G/B GAIN settings in a single-line display. The display position depends on the "sub menu POSITION" setting.
 Settings : Same as R-Y PHASE, R/B GAIN, G-Y PHASE or G/B GAIN

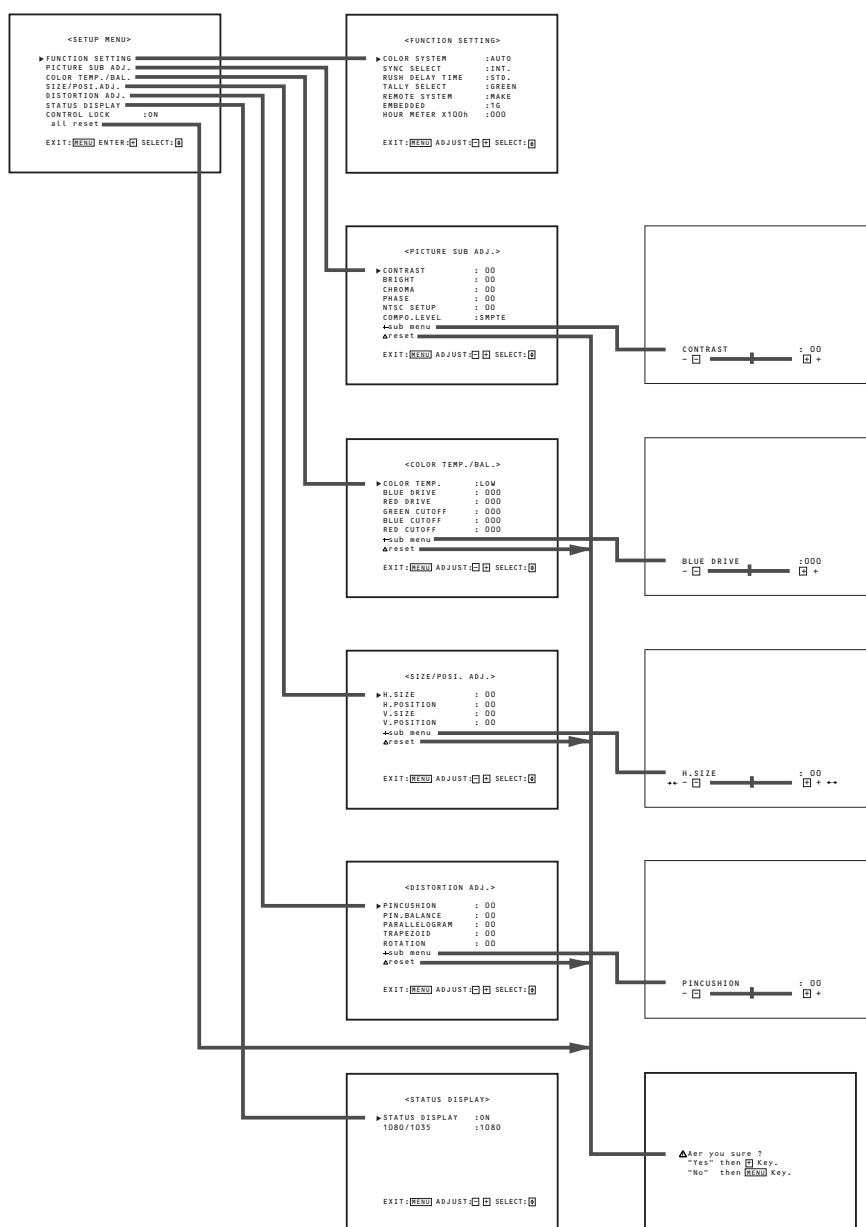
Item : reset
 Function : Sets the R-Y PHASE, R/B GAIN, G-Y PHASE and G/B GAIN values to factory-preset ones.

HOW TO USE "SETUP MENU"

"SETUP MENU" ITEMS


Items	Functions
1 FUNCTION SETTING	Displays the monitor's power-up time or the total usage time.
2 PICTURE SUB ADJ.	Performs approximate adjustments using the control knobs on the front panel.
3 COLOR TEMP./BAL.	Sets or adjusts the colour temperature or white balance.
4 SIZE/POSI. ADJ.	Adjusts the size or position of the picture.
5 DISTORTION ADJ.	Compensates the picture distortion.
6 STATUS DISPLAY	Makes the status of the input signal appear or disappear on the screen.
7 CONTROL LOCK	Sets the control lock preventing the monitor from misuse.
8 all reset	Sets all items in SETUP MENU to factory-preset values.

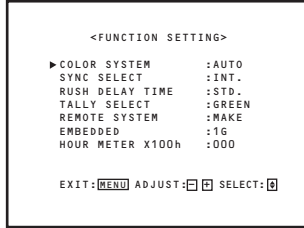
"SETUP MENU" SCREENS



ITEM CONTENTS AND ADJUSTMENT RANGE/SETTINGS

1. FUNCTION SETTING

Selects the colour system and displays the monitor's power-up time or the total usage time. Press the  button to display the setting menu illustrated on the right.



Item : COLOR SYSTEM
 Settings : AUTO/NTSC/PAL
 Function : Selects the colour system when using the video input card.
 AUTO : Change NTSC and PAL automatically.
 NTSC : Keeps the colour system NTSC.
 PAL : Keeps the colour system PAL.

NOTE : Normally select AUTO. However, if the input signal is unstable, select NTSC or PAL.

Item : SYNC SELECT
 Settings : INT./EXT.
 Function : Synchronised signal selection.
 INT. : The input video signal is synchronised with the built-in sync signal.
 EXT. : The input video signal is synchronised with an external signal from an external sync terminal.

* The external synchronised signal terminals apply to the HD/CS terminal and VD terminal (in the RGB/COMPONENT Input Card), or the EXT. SYNC terminal (in the VIDEO Input Card).
 * This item is not shown when only SDI and/or HD SDI input cards are installed.

Item : RUSH DELAY TIME
 Settings : STD./SLOW
 Function : Sets the time when the power supply to the monitor's circuits (excluding the micro computers) starts after the power switch is pressed.
 STD. : The power supply starts approx. 1 second after the power switch is pressed.
 SLOW : The power supply starts approx. 3.2 seconds after the power switch is pressed.

NOTE : If you are going to turn several Multi-Format Monitors on at the same time, it is recommended to apply SLOW to some of the monitors to control rush current.

Item : TALLY SELECT
 Settings : GREEN/RED
 Function : Selects the colour of the tally lamp (when lit) on the upper front panel.
 GREEN: The tally lamp lights in green.
 RED : The tally lamp lights in red.

NOTE : Set the MAKE/TRIGGER terminal's tally control in the REMOTE (external control) terminal setup menu. For details, refer to Page 19. To set the color, use TALLY SELECT in the "FUNCTION SETTING" setup menu or MAKE/TRIGGER in the REMOTE (external control) terminal setup menu. For details, refer to Page 15 and 19.

Item : REMOTE SYSTEM
 Settings : MAKE/TRIGGER
 Function : Selects the contact system (MAKE (make contact) or TRG. (trigger contact)) for the MAKE/TRIGGER terminals.
 MAKE (make contact system): Controls the function by stable disconnection (terminal open) or short-circuit (short with GND of 15th terminal) of the controlled terminal.
 TRG. (trigger system): Controls the function by instantaneously (one second) short-circuiting (short with GND of 15th terminal) the controlled terminal.

Item : EMBEDDED
 Settings : 1G/2G/1-2G
 1G : 1ch → 2ch → 3ch → 4ch → 1-2ch → 3-4ch → 1-4ch
 2G : 5ch → 6ch → 7ch → 8ch → 5-6ch → 7-8ch → 5-8ch
 1-2G : 1ch → 2ch → 3ch → 4ch → 5ch → 6ch → 7ch → 8ch → 1-2ch → AUTO → 5-8ch → 1-4ch → 7-8ch → 5-6ch → 3-4ch


Function : Selects Embedded Audio signal channels.
NOTE : The auto setting mixes and outputs all 8 signal channels. Output level is automatically detected and set at FPGA according to the channel numbers that are receiving signals.

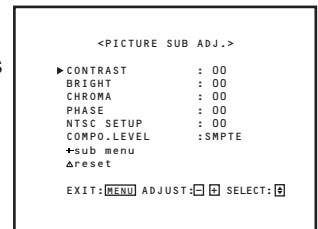
* About sound output level
 Sound output level is set to a standard output level for all channels when several sound channels are output at the same time. The more channels are selected, the lower each channel's level will be.
 (Each channel's level becomes half for 1– 2 channel, 1/4 for 1– 4 channel.)
 *About AUTO
 When AUTO is selected, the number of sound channels in use is detected. The level of each channel is automatically adjusted to ensure that the total sound output level is equivalent to the standard output level.
 * This item is shown when an input card compliant with EMBEDDED AUDIO is installed.

Item : HOUR METER X100h
 Number range : 000 ~ 655
 Function : Displays the total usage time of the monitor in hundred-hour units.

- When the timer passes 655, it returns to 000.
- The timer does not count the usage time under one hour.

2. PICTURE SUB ADJ.

Performs approximate adjustments using the control knobs on the front panel. Press the  button to display the setting menu illustrated on the right.



NOTE : When the RGB signal is input, only CONTRAST and BRIGHT are displayed. When the PAL signal is input, only CONTRAST, BRIGHT and CHROMA are displayed.

HOW TO USE "SETUP MENU" (cont'd)

Item : CONTRAST
 Adjustment range : -20 ~ 00 ~ +20
 Function : For approximate adjustment of the picture contrast. Before adjustment, turn the CONTRAST knob on the front panel to the middle.

Item : BRIGHT
 Adjustment range : -20 ~ 00 ~ +20
 Function : For approximate adjustment of the picture brightness. Before adjustment, turn the BRIGHT knob on the front panel to the middle.

Item : CHROMA
 Adjustment range : -20 ~ 00 ~ +20
 Function : For approximate adjustment of the colour density. Before adjustment, turn the CHROMA knob on the front panel to the middle.

Item : PHASE
 Adjustment range : -20 ~ 00 ~ +20
 Function : For approximate adjustment of the picture hue. Before adjustment, turn the PHASE knob on the front panel to the middle.

Item : NTSC SETUP
 Settings : 00/7.5
 Function : Sets the level of the input NTSC signal.
 00 : Compliant with 0% set-up signal.
 75 : Compliant with 7.5% set-up signal.
NOTE : NTSC SETUP is displayed only when the video input card is installed and an NTSC signal is input.


Item : COMPO. LEVEL
 Settings : SMPTE/B75/B00
 Function : Sets the level of the input component signal.
 SMPTE : Compliant with M2VTR signals.
 B75 : Compliant with Betacam 7.5% set-up signal.
 B00 : Compliant with Betacam 0% set-up signal.

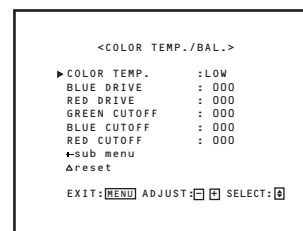
NOTE : COMPO. LEVEL is displayed only when a 480/60i, 480/60p, 576/50i or 576/50p signal is input.

Item : sub menu
 Adjustment range/
 Settings : Same as CONTRAST, BRIGHT, CHROMA, PHASE and COMPO LEVEL/NTSC SETUP.
 Function : Performs CONTRAST, BRIGHT, CHROMA, PHASE or COMPO LEVEL/NTSC SETUP settings in a single-line display. The sub menu display varies depending on the selected item.

Item : reset
 Function : Sets the CONTRAST, BRIGHT, CHROMA, PHASE and COMPO LEVEL/NTSC SETUP values to factory-preset ones.

3. COLOR TEMP./BAL.

Sets or adjusts the colour temperature or white balance. Press the  button to display the setting menu illustrated on the right.



Item : COLOR TEMP.
 Settings : HIGH/LOW
 Function : Selects the colour temperature.
 HIGH : Sets the colour temperature to D93.
 LOW : Sets the colour temperature to D65.

Item : BLUE DRIVE
 Adjustment range : MIN ~ 000 ~ MAX (in 127 grades)
 Function : Adjusts the blue drive level.

Item : RED DRIVE
 Adjustment range : MIN ~ 000 ~ MAX (in 127 grades)
 Function : Adjusts the red drive level.

Item : GREEN CUTOFF
 Adjustment range : MIN ~ 000 ~ MAX (in 255 grades)
 Function : Sets the green cut-off point.


Item : BLUE CUTOFF
 Adjustment range : MIN ~ 000 ~ MAX (in 255 grades)
 Function : Sets the blue cut-off point.

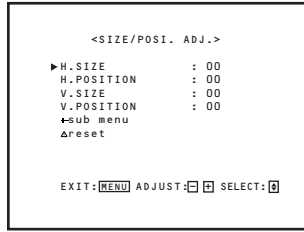
Item : RED CUTOFF
 Adjustment range : MIN ~ 000 ~ MAX (in 255 grades)
 Function : Sets the red cut-off point.

Item : sub menu
 Adjustment range/
 Settings : Same as BLUE DRIVE, RED DRIVE, GREEN CUTOFF, BLUE CUTOFF and RED CUTOFF.
 Function : Performs BLUE DRIVE, RED DRIVE, GREEN CUTOFF, BLUE CUTOFF or RED CUTOFF settings in a single-line display. The sub menu display varies depending on the selected item.

Item : reset
 Function : Sets the BLUE DRIVE, RED DRIVE, GREEN CUTOFF, BLUE CUTOFF and RED CUTOFF values to factory-preset ones.

4. SIZE/POSI. ADJ.

Adjusts the size or position of the picture. Press the  button to display the setting menu illustrated on the right.



Item : H.SIZE
 Adjustment range : -20 ~ 00 ~ +20 (*)
 Function : Adjusts the horizontal screen size.
 - : Reduces the screen size horizontally.
 + : Enlarges the screen size horizontally.
 * Reduced to 00 ~ +20 during the under-scan mode.

Item : H.POSITION
 Adjustment range : -20 ~ 00 ~ +20
 Function : Adjusts the horizontal screen position.
 - : Move the screen to the left.
 + : Move the screen to the right.


Item : V.SIZE
 Adjustment range : -20 ~ 00 ~ +20
 Function : Adjusts the vertical screen size.
 - : Reduces the screen size vertically.
 + : Enlarges the screen size vertically.

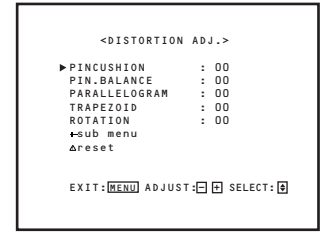
Item : V.POSITION
 Adjustment range : -20 ~ 00 ~ +20
 Function : Adjusts the vertical screen position.
 - : Move the screen up.
 + : Move the screen down.

Item : sub menu
 Adjustment range/
 Settings : Same as H.SIZE, H.POSITION, V.SIZE and V.POSITION.
 Function : Performs H.SIZE, H.POSITION, V.SIZE or V.POSITION settings in a single-line display. The sub menu display varies depending on the selected item.

Item : reset
 Function : Sets the H.SIZE, H.POSITION, V.SIZE and V.POSITION values to factory-preset ones.

5. DISTORTION ADJ.

Compensates the picture distortion. Press the  button to display the setting menu illustrated on the right.



Item : PINCUSHION
 Adjustment range : -20 ~ 00 ~ +20
 Function : Compensates pincushion picture distortion.
 - : Expands both left and right sides of the picture.
 + : Squeezes both left and right sides of the picture.

Item : PIN.BALANCE
 Adjustment range : -20 ~ 00 ~ +20
 Function : Adjusts the compensation balance of the pincushion picture distortion.
 - : The picture is expanded on the left side, and squeezed on the right side.
 + : The picture is squeezed on the left side, and expanded on the right side.

Item : PARALLELOGRAM
 Adjustment range : -20 ~ 00 ~ +20
 Function : Compensates parallelogram picture distortion.
 - : Moves the upper side of the picture to the right, and the lower side to the left.
 + : Moves the upper side of the picture to the left, and the lower side to the right.

Item : TRAPEZOID
 Adjustment range : -20 ~ 00 ~ +20
 Function : Compensates trapezoid picture distortion.
 - : Enlarges the upper side of the picture.
 + : Reduces the upper side of the picture.


Item : ROTATION
 Adjustment range : -31 ~ 00 ~ +31
 Function : Compensates for picture tilt.
 - : Turns the picture clockwise.
 + : Turns the picture counterclockwise.

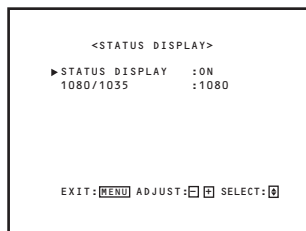
Item : sub menu
 Adjustment range/
 Settings : Same as PINCUSHION, PIN.BALANCE, PARALLELOGRAM, TRAPEZOID and ROTATION.
 Function : Performs PINCUSHION, PIN.BALANCE, PARALLELOGRAM, TRAPEZOID or ROTATION settings in a single-line display. The sub menu display varies depending on the selected item.

Item : reset
 Function : Sets the PINCUSHION, PIN.BALANCE, PARALLELOGRAM, TRAPEZOID and ROTATION values to factory-preset ones.

HOW TO USE "SETUP MENU" (cont'd)

6. STATUS DISPLAY

Makes the status of the input signal appear or disappear on the screen. Press the  button to display the setting menu illustrated on the right.



Item	: STATUS DISPLAY
Settings	: ON/OFF
Function	: Makes the format name appear or disappear when signals are input and the signal status appear or disappear when the input signal is changed. ON : The information is displayed. OFF : The information is not displayed.

Item	: 1080/1035
Settings	: 1080/1035
Function	: Makes the number of effective scanning lines appear or disappear when the HDTV signal is input. 1080 : Sets the number to 1080. (Select when the digital HDTV signal is input.) 1035 : Sets the number to 1035. (Select when the analog HDTV signal is input.)

7. CONTROL LOCK

Item	: CONTROL LOCK
Settings	: OFF/ON
Function	: Invalidates most of operations on the front panel (including menu screen operations). OFF : Enables normal operations. ON : Invalidates all operations except the power switch and CONTROL LOCK.

NOTE: While CONTROL LOCK is set to ON, attempting to perform any operation except power switch and CONTROL LOCK causes the "Control lock on!" warning to appear on the screen for approx. 3 seconds. (It is possible to operate the power switch and display SETUP MENU.)
When SETUP MENU is displayed while CONTROL LOCK is set to ON, the cursor (▶) is located next to CONTROL LOCK and cannot be moved.

8. all reset

Function	: Sets all items in SETUP MENU to factory-preset values.
----------	----------------------------------------------------------

HOW TO USE EXTERNAL CONTROL

ABOUT EXTERNAL CONTROL

The Multi-Format Monitor has two external control terminals.

One is the MAKE/TRIGGER terminal, which allows the monitor to be controlled by the MAKE(make contact) or TRG. (trigger contact) method selected in the function setting.

MAKE (make contact system) : Controls the function by stable disconnection (terminal open) or short-circuiting (short with GND of 15th terminal) of the controlled terminal.

TRG. (trigger system) : Controls the function by instantaneously (one second) short-circuiting (short with GND of 15th terminal) the controlled terminal.

* MAKE or TRIGGER are selected from REMOTE SYSTEM in the setup menu.

* The 14th terminal (REMOTE ENABLE) is always controlled by the make contact system regardless of the REMOTE SYSTEM setting.

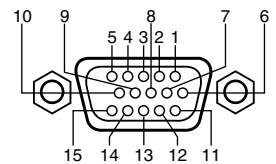
The other terminal used for remote control is the RS-232C terminal. This allows the monitor to be controlled by a PC via serial communication.

NOTE: Control priority is in the following order; ① MAKE/TRIGGER terminal > ② RS-232C terminal > ③ front panel buttons.
When trigger contact is on, the front panel buttons can be operated.

HOW TO USE THE MAKE/TRIGGER TERMINAL

Connections

Connect (short-circuit) the 15th terminal (GND) to each of the 1st through 14th terminals in the 3-line 15-pin D-sub connector. The functions of each terminal are listed below.



The Names and Functions of Terminals

No.	Names	Functions	Operations (OFF ← → ON)		*1
1	TALLY	Puts on the tally lamp.	Put off	Put on	
2	INPUT A	Changes the input to INPUT A	Not change	Change	
3	INPUT B	Changes the input to INPUT B	Not change	Change	
4	INPUT C	Changes the input to INPUT C	Not change	Change	
5	INPUT D	Changes the input to INPUT D	Not change	Change	
6	INPUT E	Changes the input to INPUT E	Not change	Change	
7	INPUT F	Changes the input to INPUT F	Not change	Change	
8	COLOR OFF	Changes the picture black-and-white.	Not change	Change	
9	AREA MARKER	Displays the area marker.	Not display	Display	
10	ASPECT	Changes the screen ratio to 16:9	4:3	16:9	
11	TALLY SELECT	Switch the tally lamp color.	GREEN	RED	
12	MARKER	Selects the type of the area marker	Selection in the main unit	Selection in the remote control	*2
13	STATUS	Displays the monitor's status	Display		*3
14	REMOTE ENABLE	Makes the external control form the MAKE terminal valid or invalid	Invalid	Valid	*4
15	GND	Used as a ground terminal	—	—	

*1 : OFF stands for disconnection, and ON stands for short-circuit.

When trigger contact is on, the setting switches between ON and OFF every time the terminal is short-circuited.
(Only TALLY is controlled by being OFF(disconnection) and ON(short-circuit).)

*2 : Selects the area marker size from AREA MARKER (setting on the main unit) or AREA MARKER-R (setting on the remote control) setting.

*3 : The STATUS function is activated when the connection to the STATUS terminal is changed (ON to OFF, or OFF to ON). The monitor's status is displayed for 3 seconds.

*4 : Setting REMOTE ENABLE to ON enables remote control. (same for both MAKE/TRIGGER methods.)

Operation

1. Set REMOTE ENABLE to ON.
2. Short-circuit or disconnect the desired terminal. (When trigger contact is on, duration of short-circuit is approx. 1 second.)

Changing the Signal Input

1. Set REMOTE ENABLE to ON.
2. Short-circuit the desired INPUT terminal. (When trigger contact is on, duration of short-circuit is approx. 1 second.)
3. Disconnect the INPUT terminal selected above. The signal input is actually changed after the disconnection has been completed.

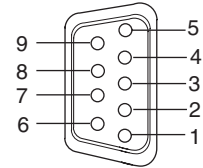
NOTES: • When more than two terminals are selected (short-circuited) from INPUT A through INPUT F, the signal input is not changed.
To control INPUT A through INPUT F, we recommend using the interlock switch, which turns off a switch when another switch is turned on.
• When trigger contact is on, and if several terminals are short-circuited simultaneously, proper control cannot be done. It is always necessary to short-circuit one terminal for one operation. Also, use of the Tact Switch is recommended.

HOW TO USE EXTERNAL CONTROL (cont'd)

HOW TO USE THE RS-232C TERMINAL

You can control the monitor from your PC via the RS-232C terminal.

For details on operating the monitor from the PC, consult your dealer or service centre for details.



1. Cable

Prepare a straight cable with a D-sub connector (9-pin, female) and a D-sub connector (9-pin, male)

2. Communications Specifications

Baud Rate : 4800/9600/19200 (factory pre-set; 4800)
 Data Bits : 8 bits
 Parity : No parity
 Stop Bits : 1
 Flow Control : Hardware (RTS/CTS)

Pin No.	Signal
1	DCD (Data Carrier Detect)
2	RD (Receive Data)
3	TD (Transmit Data)
4	DTR (Data Terminal Ready)
5	GND (Ground)
6	DSR (Data Set Ready)
7	RTS (Request To Send)
8	CTS (Clear To Send)
9	RI (Ring Indication)

3. Commands

Format

Header	ID	Command	Data	CR
--------	----	---------	------	----

Header

- ! Control from the PC to the monitor
- ? Reference from the PC to the monitor
- @ Answer from the monitor to the PC

ID + Command + Data

Character	Command	Characters	Range
B	Basic command	00, 01 or No data	
D	Command for adjusting the picture size	00 ~ 08	-20 ~ +20 or -31 ~ +31
S	Command for adjusting the picture quality	00 ~ 05	-20 ~ +20
M	Command for selecting the menu item	00 ~ 0E	00, 01, 10, 11
F	Command for selecting the menu item	00 ~ 0A	00, 01
W	Command for adjusting the white balance	00 ~ 05	-256 ~ +255
C	Command for inquiring for the monitor's status	00	0 ~ 655

During Communication from the PC to the Monitor

The monitor receives the data when DSR remains ON (high) and CTS is set to ON.

During Communication from the Monitor to the PC

The monitor sends the data when both DSR and DCD are set to ON and RTS is set to ON.

Communication Procedures

The following is the communication procedures.

1. Starting the communication

Receives the connection command (!BCN1Cr) from the PC → Sends the monitor's status (@BOKCr) to the PC

2. Performing the external control

Receives the control command (!XXXXCr) from the PC → Sends the monitor's status (@BOKCr) to the PC

* The monitor repeats these receiving and sending if necessary.

3. Terminating the communication

Receives the termination command (!BCN0Cr) → Sends the monitor's status (@BOKCr) to the PC

* After sending the data to the monitor, the PC must first receive the data from the monitor and then send the next command because the communication is performed in a hand-shake system. If the PC does not receive the status from the monitor after sending the command, re-send the command.

TROUBLESHOOTING

Solutions to common problems related to your monitor are described here. If none of the solutions presented here solve the problem, unplug the monitor and consult a Panasonic-authorized dealer or service centre for assistance.

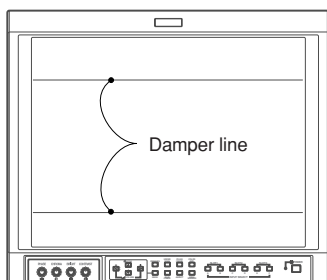
Problems	Points to be checked	Measures (Remedy)	Reference pages
No power supply	Is the power plug loosened or disconnected?	Firmly insert the power plug.	5
	Is the main power turned OFF?	Turn the main power ON.	5
No picture with the power on	Is the signal cable disconnected?	Connect the signal cable firmly.	6, 7
	Is the power of the connected component ON? Is the signal output from the connected component?	Turn on the power of the connected component and set it correctly.	—
	Is the input signal selected correctly?	Select the correct input with the INPUT SELECT buttons.	5
	Is the input signal adapted to the monitor's specification?	Check that the input signal format corresponds to the installed input card format.	6, 7
	Are any of the self-check indicators (INPUT SELECT A through F buttons) blinking?	Follow the procedures in "SELF-CHECK INDICATIONS".	23
No sound	Is the audio cable disconnected?	Connect the audio cable firmly.	6, 7
	Is the audio signal output from the connected component?	Set the connected component correctly.	—
	Is the volume output set to minimum?	Adjust the speaker volume with the VOLUME +/- buttons.	4
Wrong colour	Has the picture adjustment been changed?	Set each picture adjustment knob to the standard (centred) position. Or, set each picture adjustment item in [PICTURE SUB ADJ.] in the <SETUP MENU> screen to Standard (00) (or use the [reset] function).	4, 15
	Has the WHITE BALANCE setting been changed?	Set each [COLOR TEMP./BAL.] item in the <SETUP MENU> screen to Standard (000) (or use the [reset] function).	16
	Are any cables connected to the component/RGB input card?	Connect each signal cable firmly.	6
	Has the correct signal been input to the component/RGB input card and the correct INPUT been selected on the monitor?	Select INPUT A/C/E when the component signal is input, or select INPUT B/D/F when the RGB signal is input.	6
Unnatural picture	Has [CONTRAST] or [BRIGHT] been changed?	Adjust the CONTRAST or BRIGHT picture adjustment knobs. Or, adjust the [CONTRAST] or [BRIGHT] item in [PICTURE SUB ADJ.] in the <SETUP MENU> screen.	16
Shaking picture	Is the monitor close to a motor, transformer or any other device generating a strong magnetic field? (a fan, fluorescent light, laser printer, another monitor, etc.)	Move the monitor away from the device until the picture stops shaking. Connect the power plug to another AC outlet away from the former one.	—

TROUBLESHOOTING (cont'd)

Problems	Points to be checked	Measures (Remedy)	Reference pages
Irregular colour	Is the monitor placed or moved close to a speaker or any other device incorporating a magnet? Has the position of the monitor been changed with the power on?	Move the device away from the monitor. Press the DEGAUSS button on the front panel to degauss the screen. When degaussing, wait more than 30 minutes for maximum effect.	4
Wrong picture position, wrong picture size	Has the picture position, size or distortion been changed?	Adjust the picture size (H SIZE, V SIZE) or position (H. POSITION, V. POSITION) in the [SIZE/POS. ADJ.] item in the <SETUP MENU> screen. Adjust the picture distortion (PINCUSHION, PIN. BALANCE, TRAPEZOID and PARALLELOGRAM) in the [DISTORTION ADJ.] item in the <SETUP MENU> screen. It may not be possible to expand the picture due to the selected input mode. In this case, adjustment is impossible.	17
	Have the UNDER SCAN or ASPECT button been pressed?	When the UNDER SCAN or ASPECT button is lit, press each button to invalidate each setting.	4, 5
Front panel buttons and knobs do not function	Has the CONTROL LOCK function been set to ON?	Set the CONTROL LOCK function to OFF.	18
	Has the monitor's setting been changed to enable control from an external unit via the REMOTE terminals?	Change the setting of the external control to control the monitor locally.	19, 20

The following are not malfunctions:

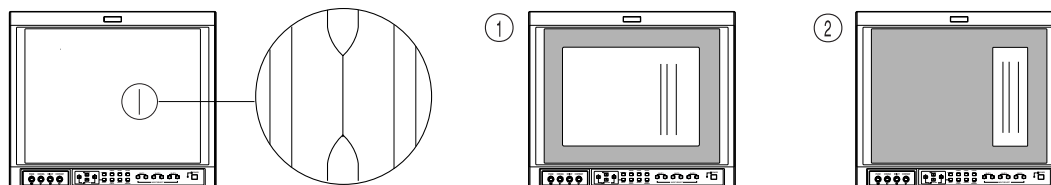
- You may see two horizontal lines on the monitor. They are the shadows of the "damper lines" that are necessary for composing the monitor. These lines are not a malfunction.



- When a bright still image (such as a white cloth) is displayed for a long period, it may appear to be coloured. This is due to the structure of the cathode ray tube and will disappear when another image is displayed.
- You may sometimes experience a mild electric shock when you touch the picture tube. This phenomenon is due to a normal buildup of static electricity on the CRT and is not harmful.
- The monitor emits a strange sound when the room temperature changes suddenly. This is only a problem if an abnormality appears on the screen as well.
- If two or more monitors are operated next to each other, their images may shake or be distorted. This phenomenon is due to mutual interference; it is not a malfunction. Move the monitors away from each other until the interference disappears or turn the power off on any monitor that is not being used.

When black vertical lines appear on the screen

Black vertical lines may appear on the screen if the aperture grill is tilted as a result of being shaken or jolted during shipment.



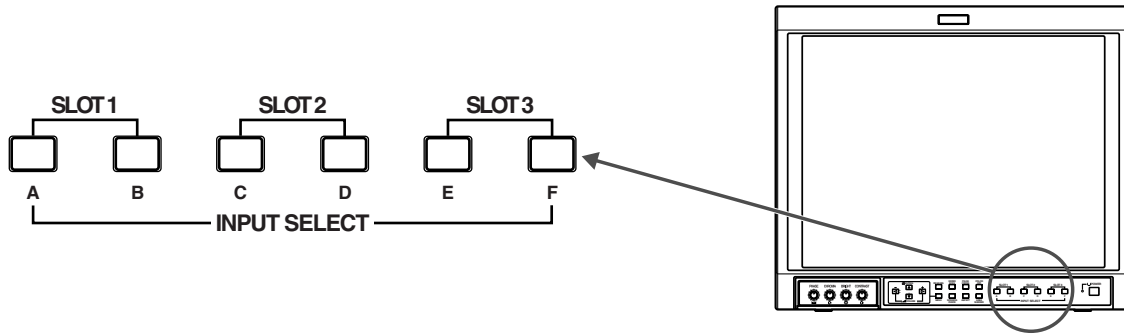
In this case, try tapping the monitor on the side. If this does get rid of the lines, follow the procedure below.

- Display a white screen, so that the problem area can be seen clearly.
- Maximize contrast and brightness, then place a bright white rectangle on the area.
- After a while, the lines should disappear.

SELF-CHECK INDICATIONS

When the screen goes blank, and one or more of the INPUT SELECT A through F buttons on the front control panel start blinking...

This monitor has a self-check function, which allows it to detect malfunctions and alert you. This makes trouble-shooting easier. Whenever a problem occurs, a combination of "self-check indicators" (INPUT SELECT A through F buttons) will blink and the monitor's power automatically turns off. If this happens, follow the steps below and contact your dealer to resolve the problem.



1. Check which indicators are blinking.
2. Turn off the main power switch on the back of the monitor.
3. Disconnect the Power Cord from the AC outlet.
4. Contact your dealer with the information about which indicators are blinking.

NOTE:

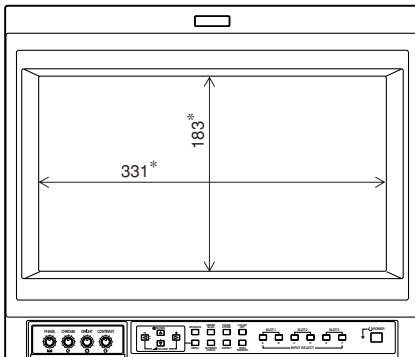
- If you turn on the monitor's power immediately after turning it off (or after a short-term power failure), the self-check indicators may blink, and no image may be displayed. When this happens, turn off the power, and wait at least 10 seconds before turning it on again. If the self-check indicators have stopped blinking, you can use the monitor as usual.

SPECIFICATIONS

- **Type** : Multi-Format Monitor
- **Picture Tube** : 17" measured diagonally
- **Effective Screen Size** : Width : 330 mm
Height : 250 mm
Diagonal : 410 mm
- **Scanning Frequency** : H : 15 kHz/27 kHz – 45 kHz
V : 50 Hz – 80 Hz
- **Video Band** : Component : 25 MHz (–3 dB)
Video (Y/C) : 8 MHz (–3 dB)
- **Horizontal Resolution** : Video (Y/C) : 600 TV lines
1080/60i : 800 TV lines
- **Input Terminals** : Installing an optional input card in SLOT 1, 2, or 3 is required.
INPUT A/INPUT B: Terminals on the input card in SLOT 1
INPUT C/INPUT D: Terminals on the input card in SLOT 2
INPUT E/INPUT F: Terminals on the input card in SLOT 3
- **Compliant Video Signal** : NTSC (3.58 MHz)/PAL (4.43 MHz)
(using the BT-YA701P)
480i/576i/480p/1080i (60 Hz/24psF)/720p
(using the BT-YA702P)
D1 serial digital (using the BT-YA703P)
HD serial digital (using the BT-YA705G)
- **Remote Inputs** : • Point-of-contact connection, 1 line, D-sub connector (15-pin 3-line)
• Serial connection, 1 line, D-sub connector (9-pin), compliant to RS-232C
- **Audio Output** : 1 W (monaural)
- **Built-in Speaker** : 8 cm round x 1
- **Environmental Conditions** : Operating temperature : 5°C – 35°C
Operating humidity : 20% – 80% (non-condensing)
- **Power Requirements** : 230 V AC, 50 Hz/60 Hz
- **Power Consumption (230 V)** : 0.9 A (when input card is inserted)
Max. 1.0 A (when input card is inserted)
- **Dimensions** : Width : 395 mm
Height : 334 mm
Depth : 466.5 mm (not including wide mask and input card)
- **Weight** : 23.2 kg (not including wide mask and input card)
- **Accessory** : AC power cord
• for European countries x 1
• for the United Kingdom x 1
: Power cord holder x 1 (case and cover)
: Screws x 2 (Power cord holder)
: Wide Mask x 1
: Screws x 4 (Wide Mask)

[Dimensions] Unit : mm

<Front View with the wide mask attached>



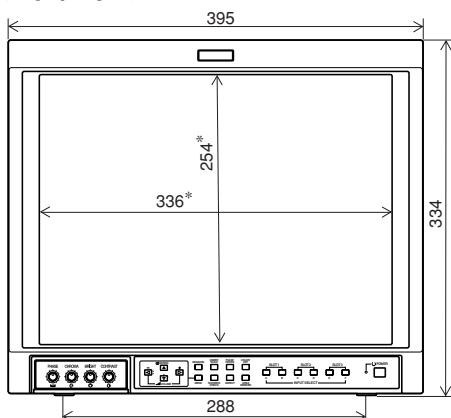
* Illustrations and pictures used in this manual have been exaggerated, abbreviated or compounded for explanatory purposes only. The appearance of the actual product may differ slightly.

* Dimensions and weight are approximate.

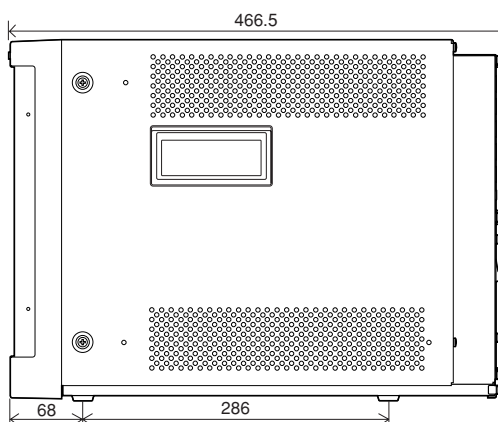
* E. & O.E. Design and specifications subject to change without notice.

Asterisks(*) are used to indicate front panel dimensions.

<Front View >



<Side View>



■ Compliant Signal Formats of Each Input Card

Input Signals	BT-YA701P	BT-YA702P	BT-YA703P	BT-YA705G
NTSC (3.58 MHz)	○	—	—	—
PAL (4.43 MHz)	○	—	—	—
Black-and-White (50 Hz/60 Hz)	○	—	—	—
480/60i (525i)	—	○	○	—
480/60p (525p)	—	○	—	—
576/50i	—	○	○	—
576/50p	—	○	—	—
720/60p (720p)	—	○	—	○
1080/50i	—	○	—	○
1080/60i (1125i) (*2)	—	○	—	○
1035/60i (1125i) (*1 *3)	—	○	—	○
1080/24psF (*4)	—	○	—	○
EMBEDDED AUDIO	—	—	—	○

○ : Input possible. Pre-set.

○ : Input possible. Not pre-set.

— : Input impossible.

*1 : 1035/60i (1125i) is not pre-set. To input signals of these types, some setup adjustments are required.

*2 : Including 1080/59.94i.

*3 : Including 1035/59.94i.

*4 : Including 1080/23.98psF.

SPECIFICATIONS (INPUT CARD: OPTIONAL)

■ BT-YA701P: VIDEO INPUT CARD

Type	: Video input card for Multi-Format Monitor
Inputs/Outputs	: VIDEO 1/VIDEO 2: 2 lines, BNC connector x 4 (1 V (p-p), 75 Ω) Synchronised signal (EXT.SYNC): 1 line, BNC connector x 2 (1.0 V – 4.0 V (p-p), 75 Ω) * The input (IN) and output (OUT) terminals are bridge-connected. Auto termination. Y/C signal : 1 line, input only, mini-DIN 4-pin connector x 1 (Y/C input has a priority to a VIDEO 2 input) (Y: 1 V (p-p), 75 Ω/C: 0.286 V (NTSC)/0.3 V (PAL), 75 Ω) Audio signal : 2 lines (monaural), RCA pin x 4 (0.5 V (rms), high impedance) * The input (IN) and output (OUT) terminals are bridge-connected.
Required slots	: 1
Power consumption	: 14 V DC, 0.25 A 7 V DC, 0.15 A
Weight	: 0.5 kg
Dimensions (W x H x D)	: 43 mm x 154.5 mm x 191.9 mm

■ BT-YA702P: COMPONENT/RGB INPUT CARD

Type	: Component/RGB input card for Multi-Format Monitor
Inputs/Outputs	: Component (Y, PB/B-Y, PR/R-Y) or RGB: 1 line, BNC connector x 6 (Y: 1 V (p-p), 75 Ω/PB, B-Y, PR, R-Y, R, G, B: 0.7 V (p-p), 75 Ω) Synchronised signal (HD/Cs, VD) : 1 line, BNC connector x 4 (1.0 V – 4.0 V (p-p), 75 Ω) * The input (IN) and output (OUT) terminals are bridge-connected. Auto termination. Audio signal: 1 line (monaural), RCA pin x 2 (0.5 V (rms), high impedance) * The input (IN) and output (OUT) terminals are bridge-connected.
Required slots	: 1
Power consumption	: 14 V DC, 0.02 A
Weight	: 0.5 kg
Dimensions (W x H x D)	: 43 mm x 154.5 mm x 191.9 mm

■ BT-YA703P: SDI INPUT CARD

Type	: SDI input card for Multi-Format Monitor
Inputs/Outputs	: Digital input (SDI 1/SDI 2): 2 lines, BNC connector x 2 (0.8 V (p-p), 75 Ω) Digital output (SWITCHED OUT): 1 line, BNC connector x 1 (0.8 V (p-p), 75 Ω) Audio signal: 2 lines (monaural), RCA pin x 4 (0.5 V (rms), high impedance) * The input (IN) and output (OUT) terminals are bridge-connected.
Format	: D1 serial component digital, 525/625 auto switching (compliant with SMPTE259M)
Required slots	: 1
Power consumption	: 7 V DC, 0.65 A
Weight	: 0.5 kg
Dimensions (W x H x D)	: 43 mm x 154.5 mm x 191.9 mm

■ BT-YA705G: HD SDI INPUT CARD

Type	: HD SDI input card for Multi-Format Monitor
Inputs/Outputs	: Digital input (HD SDI 1/HD SDI 2) : 2 lines, BNC connector x 2 (0.8V (p-p), 75 Ω) (compliant with EMBEDDED AUDIO) Digital output (HD SDI 1/HD SDI 2): 2 lines, BNC connector X 2 (0.8V (p-p), 75 Ω)
Format	: HD serial component digital, BTA S-004B, SMPTE292M (Digital Interface Standard), SMPTE299M (EMBEDDED AUDIO)
Required slots	: 1
Power consumption	: 14 V DC, 0.6A 7 V DC, 0.6A
Weight	: 0.5 kg
Dimensions (W x H x D)	: 43 mm x 154.5 mm x 191.8 mm

Matsushita Electric Industrial Co.,Ltd.
Web Site: <http://www.panasonic.co.jp/global/>

Printed in Japan
VQT0A55-1

LCT1261-001B
0802-PN-Y-U-VP



Free Manuals Download Website

<http://myh66.com>

<http://usermanuals.us>

<http://www.somanuals.com>

<http://www.4manuals.cc>

<http://www.manual-lib.com>

<http://www.404manual.com>

<http://www.luxmanual.com>

<http://aubethermostatmanual.com>

Golf course search by state

<http://golfingnear.com>

Email search by domain

<http://emailbydomain.com>

Auto manuals search

<http://auto.somanuals.com>

TV manuals search

<http://tv.somanuals.com>